



US00D858526S

(12) **United States Design Patent**
Jhun et al.

(10) **Patent No.:** **US D858,526 S**
(45) **Date of Patent:** **** Sep. 3, 2019**

(54) **RECEPTACLE MODULE FOR A TABLETOP MEDIA CENTER**

(71) Applicant: **Crestron Electronics, Inc.**, Rockleigh, NJ (US)

(72) Inventors: **Sae Jhun**, Bayside, NY (US); **Wendy Feldstein**, Old Tappan, NJ (US)

(73) Assignee: **Crestron Electronics, Inc.**, Rockleigh, NJ (US)

(**) Term: **15 Years**

(21) Appl. No.: **29/628,658**

(22) Filed: **Dec. 6, 2017**

(51) **LOC (12) Cl.** **14-02**

(52) **U.S. Cl.**
USPC **D14/432**

(58) **Field of Classification Search**
USPC D14/300–302, 308–313, 314, 348,
D14/353–355, 432, 439–446, 240;
(Continued)

(56) **References Cited**

U.S. PATENT DOCUMENTS

6,046,405 A 4/2000 Obermann et al.
6,162,071 A 12/2000 Muller
(Continued)

OTHER PUBLICATIONS

AMX, HydraPort: Connecting the Perfect Meeting, Product Guide, Rev. V3 (Sep. 8, 2014), available at pdf.archiexpo.com/pdf/amx/hydraport/51274-177337.html.

(Continued)

Primary Examiner — Austin Murphy

(74) *Attorney, Agent, or Firm* — Crestron Electronics, Inc.

(57) **CLAIM**

The ornamental design for a receptacle module for a tabletop media center, as shown and described.

DESCRIPTION

FIG. 1 shows a top perspective view of a receptacle module for a tabletop media center according to a first embodiment. FIG. 2 shows a top view of the receptacle module for a tabletop media center according to the first embodiment. FIG. 3 shows a front view of the receptacle module for a tabletop media center according to the first embodiment. FIG. 4 shows a rear view of the receptacle module for a tabletop media center according to the first embodiment. FIG. 5 shows a left side view of the receptacle module for a tabletop media center according to the first embodiment. FIG. 6 shows a right side view of the receptacle module for a tabletop media center according to the first embodiment. FIG. 7 shows a top perspective view of the receptacle module for a tabletop media center according to the first embodiment, wherein the tabletop media center shown in broken lines illustrates the environment in which the design is used and forms no part of the claimed design.

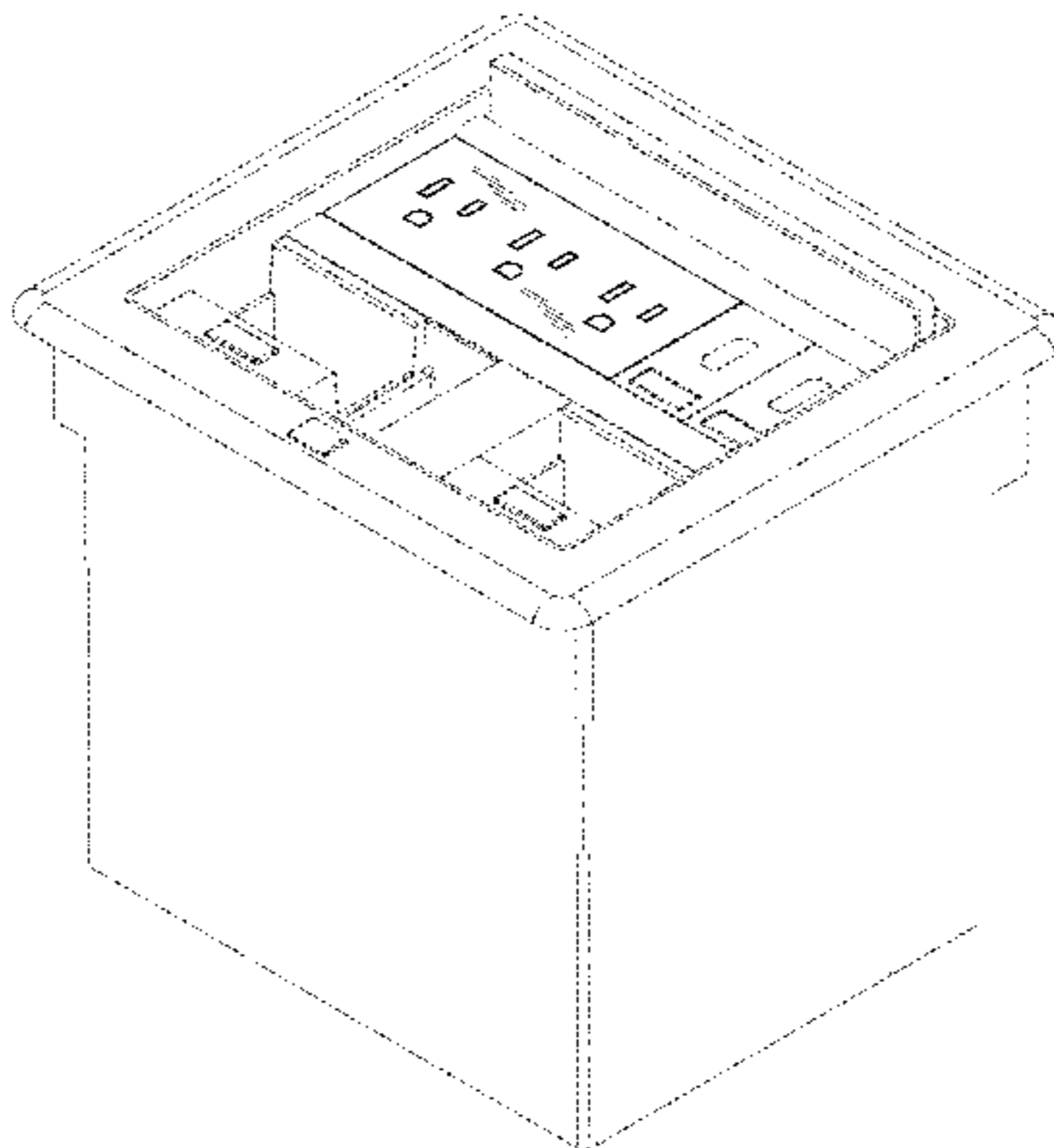
FIG. 8 shows a top perspective view of a receptacle module for a tabletop media center according to a second embodiment.

FIG. 9 shows a top view of the receptacle module for a tabletop media center according to the second embodiment. FIG. 10 shows a front view of the receptacle module for a tabletop media center according to the second embodiment. FIG. 11 shows a rear view of the receptacle module for a tabletop media center according to the second embodiment. FIG. 12 shows a left side view of the receptacle module for a tabletop media center according to the second embodiment.

FIG. 13 shows a right side view of the receptacle module for a tabletop media center according to the second embodiment; and,

FIG. 14 shows a top perspective view of the receptacle module for a tabletop media center according to the second embodiment, wherein the tabletop media center shown in broken lines illustrates the environment in which the design is used and forms no part of the claimed design.

(Continued)



The broken lines in the figures depict portions of the receptacle module for a tabletop media center that form no part of the claimed design.

1 Claim, 14 Drawing Sheets

(58) **Field of Classification Search**

USPC 361/679.02, 679.31, 679.5, 690, 694,
361/679.23, 801, 802; 312/332.1, 334.1;
D13/162; D10/50
CPC A45C 11/00; A45C 2011/003; B60R
11/0241; B60R 11/0252; F16M 13/00;
F16M 11/00

See application file for complete search history.

(56) **References Cited**

U.S. PATENT DOCUMENTS

D460,736	S	7/2002	Pincek et al.	
D465,201	S	11/2002	Gershfeld	
D473,525	S	4/2003	Pincek et al.	
6,802,577	B2	10/2004	Gershfeld	
6,942,501	B2	9/2005	Kissinger et al.	
D512,964	S	12/2005	Kissinger et al.	
D513,493	S	1/2006	Feldstein et al.	
D516,513	S	3/2006	Kissinger et al.	
D526,961	S	8/2006	Kissinger et al.	
D537,039	S	2/2007	Pincek	
D537,785	S	3/2007	Pincek	
7,312,393	B2	12/2007	McCarthy et al.	
D569,863	S	5/2008	Feldstein et al.	
7,388,164	B2*	6/2008	Scanzillo	H02G 3/185 174/482
7,414,193	B1	8/2008	Le	
7,541,539	B2	6/2009	Le	
7,667,145	B2	2/2010	Dinh et al.	
D626,542	S	11/2010	Libman et al.	
D628,097	S	11/2010	Libman et al.	
D628,098	S	11/2010	Libman et al.	
D628,099	S	11/2010	Libman et al.	
D638,314	S	5/2011	Libman et al.	
D638,315	S	5/2011	Libman et al.	
D639,680	S	6/2011	Libman et al.	
D639,681	S	6/2011	Rodriguez et al.	
D640,577	S	6/2011	Libman et al.	
D640,939	S	7/2011	Libman et al.	
D640,940	S	7/2011	Libman et al.	
7,989,710	B2	8/2011	Hansen et al.	
D657,315	S	4/2012	Feldstein et al.	
D664,050	S	7/2012	Rodriguez et al.	
D678,786	S	3/2013	Rodriguez et al.	
D686,992	S	7/2013	Eisen	
8,943,978	B2	2/2015	Soper et al.	
D734,729	S	7/2015	Chaloupecky et al.	
9,257,776	B2	2/2016	Kramer	
9,309,087	B2	4/2016	Laube et al.	
9,407,033	B2*	8/2016	Kong	H01R 13/5227
9,425,563	B2	8/2016	Laube et al.	
9,553,413	B2	1/2017	Laube et al.	
9,680,262	B2	6/2017	Laube et al.	
9,706,833	B2	7/2017	Newhouse et al.	
D830,364	S*	10/2018	Jhun	D14/432
D831,655	S*	10/2018	Jhun	D14/432
D831,656	S*	10/2018	Jhun	D14/432
D832,257	S*	10/2018	Jhun	D14/432
D832,258	S*	10/2018	Jhun	D14/432
D832,259	S*	10/2018	Jhun	D14/432
2003/0070592	A1	4/2003	Grasse et al.	
2009/0165679	A1	7/2009	Bakker et al.	

2014/0265753	A1	9/2014	Gershfeld et al.
2014/0374531	A1	12/2014	Laube et al.
2017/0093097	A1	3/2017	Laube et al.

OTHER PUBLICATIONS

Arthur Holm, Albiral Display Solutions SL, Catalog, EN2016-2017, available at www.arthurholm.com/wp-content/uploads/2017/03/AH_Catalogue_2017.pdf.

Bachmann Electrical Engeneering Ltd., Facility Solutions, System solutions for Office, conference and meeting rooms, Jun. 2016, available at genproel-el.gr/data/documents/2017.pdf.

Crestron, Crestron FlipTops, D4520-C_201410, 2014, available at www.crestron.com/downloads/pdf/product_brochures/crestron_fliptops_brochure.pdf.

Extron, Cable Cubby 202, 2014, available at www.extron.com/download/files/brochure/CC_202_Printable_A4.pdf.

Extron, Cable Cubby 500, 2014, available at www.extron.com/download/files/brochure/CC_500_Printable_A4.pdf.

Extron, Cable Cubby 700, 2014, available at www.extron.com/download/files/brochure/CC_700_Printable_A4.pdf.

Extron, Cable Cubby 1200, 2014, available at www.extron.com/download/files/brochure/CC_1200_Printable_letter_size.pdf.

Extron, Cable Cubby 1400, 2014, available at www.extron.com/download/files/brochure/CC_1400_Printable_letter_size.pdf.

Extron, Cable Cubby Series 2, Mar. 2016, 68-2604-01, REV. C, available at www.extron.com/download/files/brochure/cable_cubby_series_2_verA4.pdf.

Extron Catalog, AAP—Architectural Adapter Plates, 2012 Product Catalog, available at www.extron.com/download/files/general/aaps_12cat_en.pdf.

FSR Inc., T6 FLEX, LIT1434A, 2015, available at fsrinc.com/documents/spec-sheet/9187-lit1434c-t6-flex-spec-sheet-pdf/file.

FSR Inc., Table Boxes, LIT1187H, 2014, available at www.novotech.com.mx/wp-content/uploads/2016/03/1187H-Table-Box-Brochure.pdf.

Herman Miller, Inc., Logic Power Access Solutions, 2015, available at www.hermanmiller.com/content/dam/hermanmiller/documents/product_literature/product_sheets/Logic_Power_Access_Solutions_product_sheet.pdf.

Extron Electronics, “Hideaway” Family Brochure, 2002.

Extron Electronics, Extron® Hideaway Series Brochure, 2002.

Kramer Electronics Ltd., K-Able/XL Box Cable Retractor, User Manual, P/N: 2900-300441 Rev 3, 2015, available at kramerav.com/downloads/manuals/k-able_xl_box.pdf.

Kindermann, MultiMedia connection systems, 2014, available at www.kindermann.de/fileadmin/medien/printmedien/MultiMedia_connection_systems/GB/MultiMedia_connection_systems_GB.pdf.

Legrand, Wiremold® AVIP Series Device Plates, ED1670R3—Updated Jan. 2015, available at www.legrand.us/wiremold.aspx.

Legrand, Wiremold®, DEQUORUM™ Flip-Up Table Boxes, ED1755 0715, 2015, available at www.middleatlantic.com.

Legrand, Wiremold® Table Boxes, Table Boxes bring technology to the point-of-use, ED1706R5—Updated Mar. 2016, available at www.legrand.us/wiremold.aspx.

Legrand, wiremold®, InteGreat™ A/V Table Box, ED1699R1 0913, 2013, available at www.legrand.us/wiremold.aspx.

Legrand, wiremold®, Meeting Room Solutions, ED1710, 2013, available at www.legrand.us/wiremold.aspx.

Legrand, wiremold® Table Boxes, ED1652R3—Updated Apr. 2016, available at www.legrand.us/wiremold.aspx.

Soltec, LCD-TFT Solutions, 2015, available at dvs.rs/wp-content/uploads/2017/07/ENGLISH-SOLTEC-CATALOGUE.pdf.

* cited by examiner

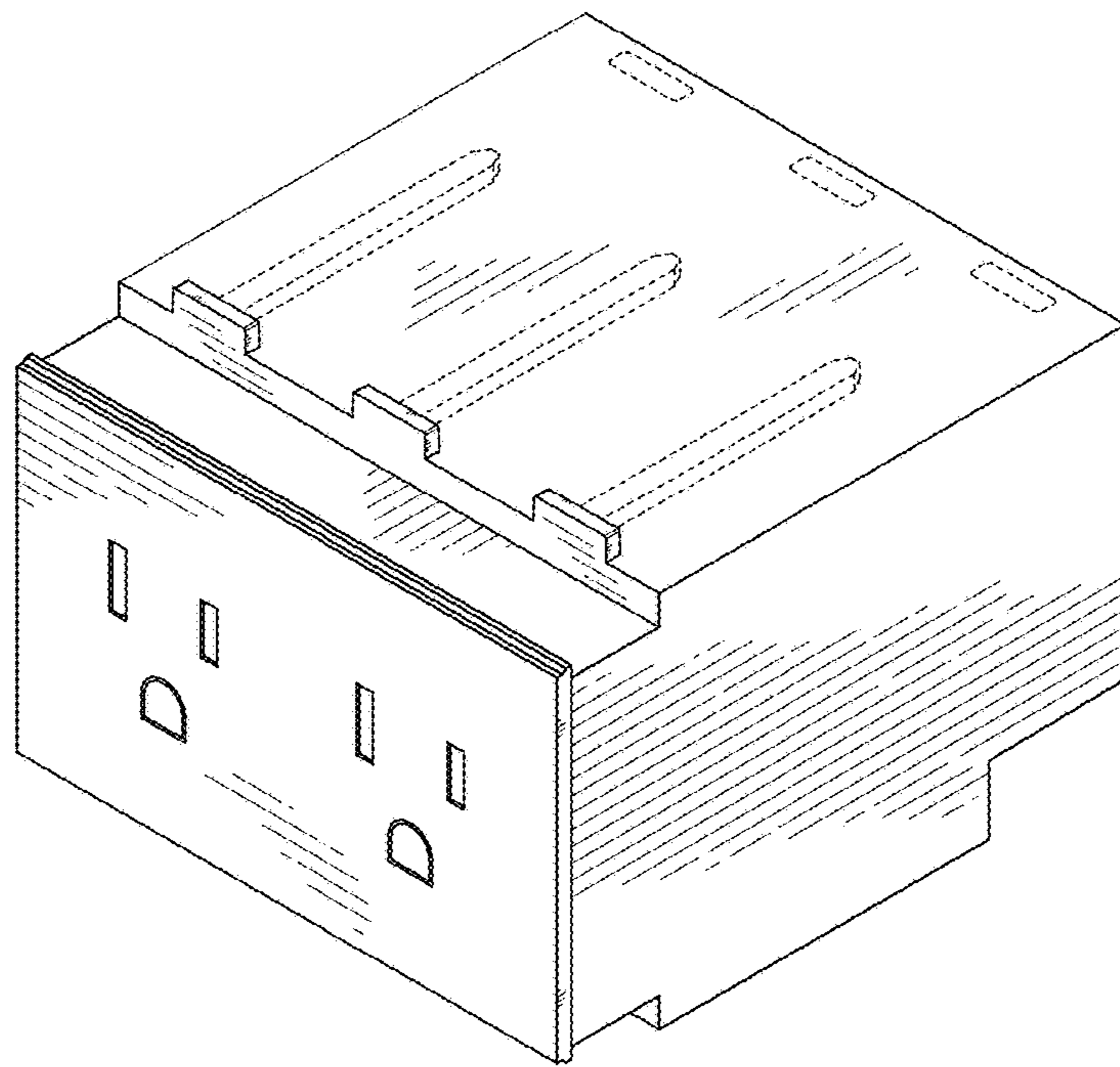


FIG. 1

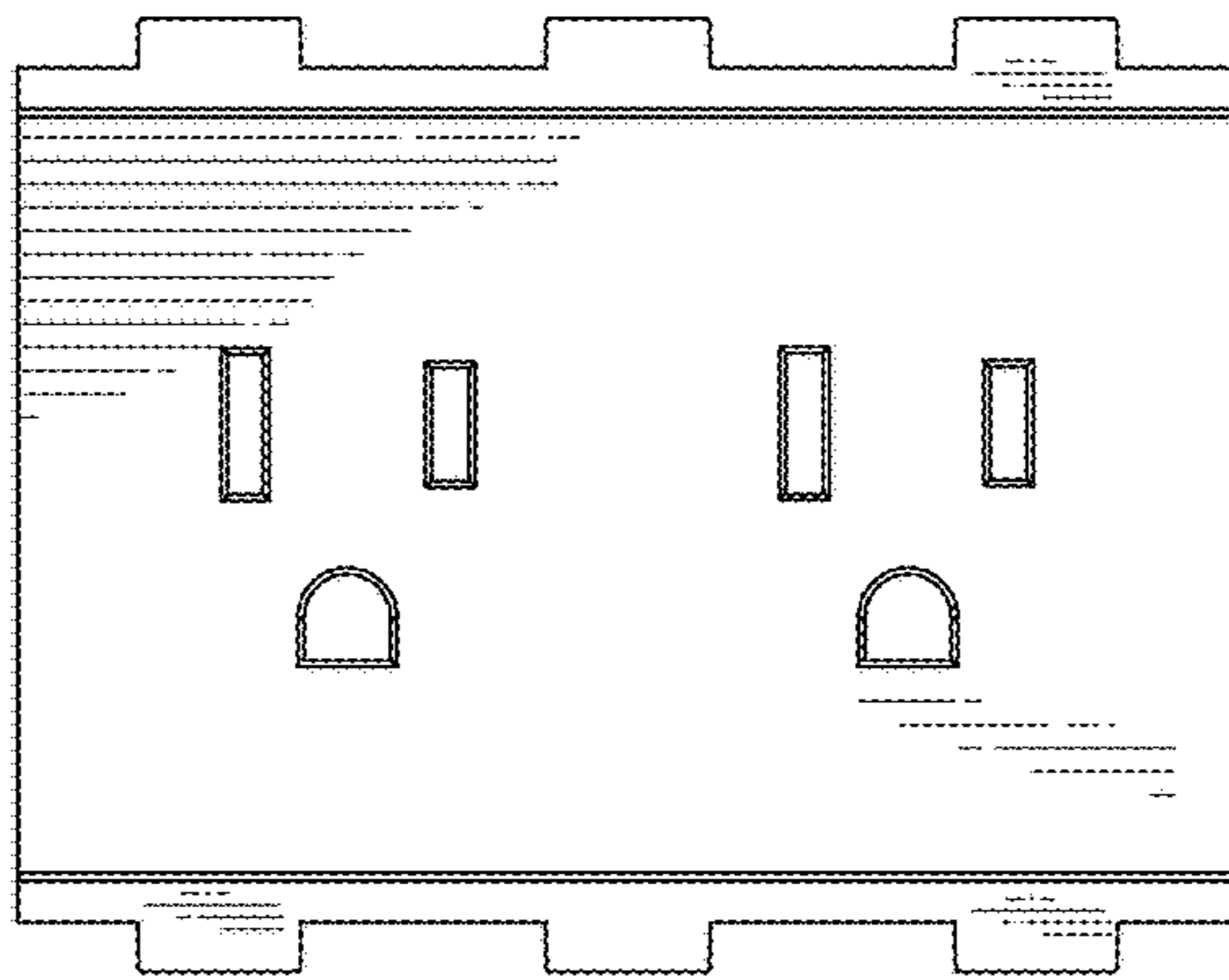


FIG. 2

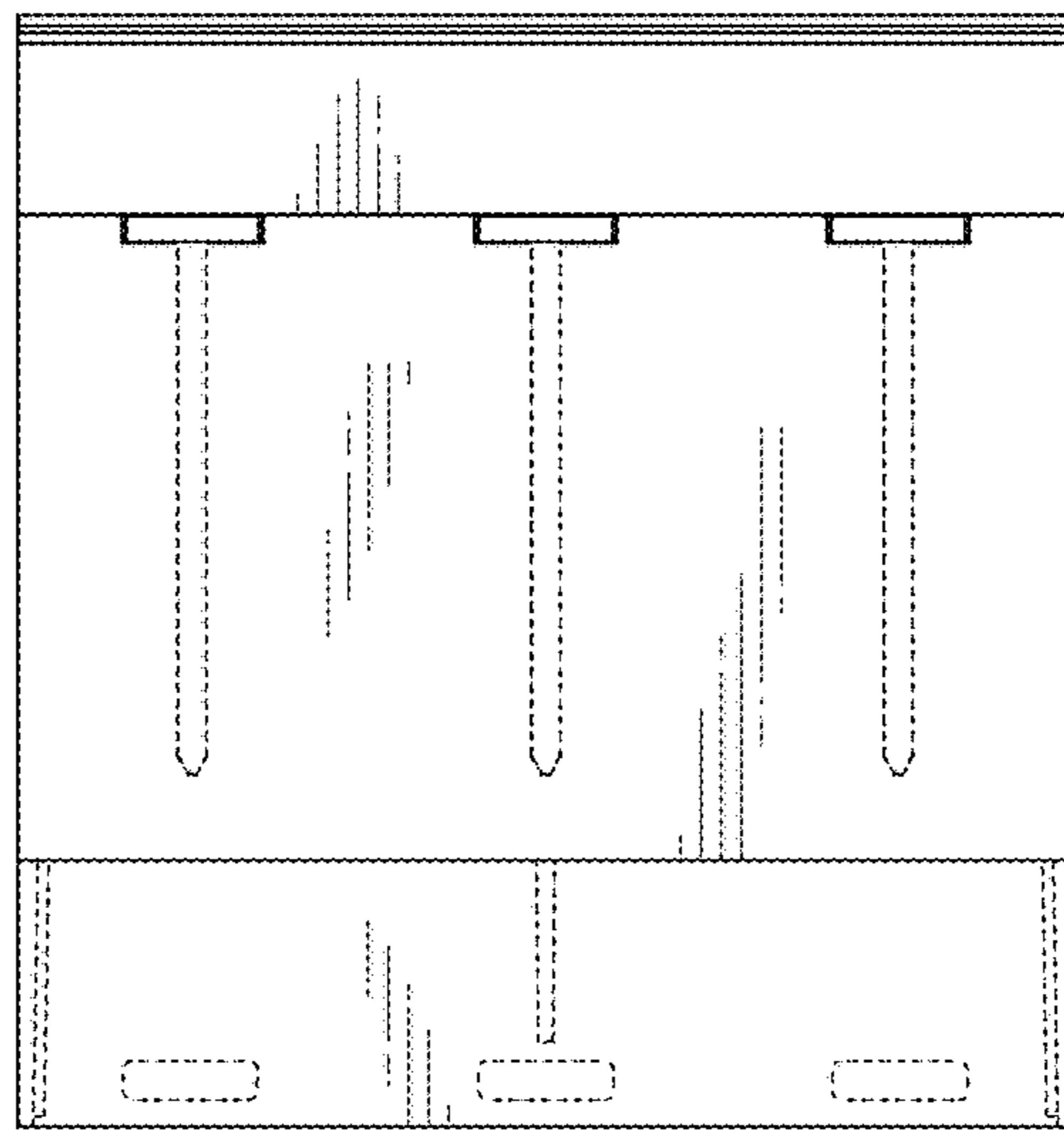


FIG. 3

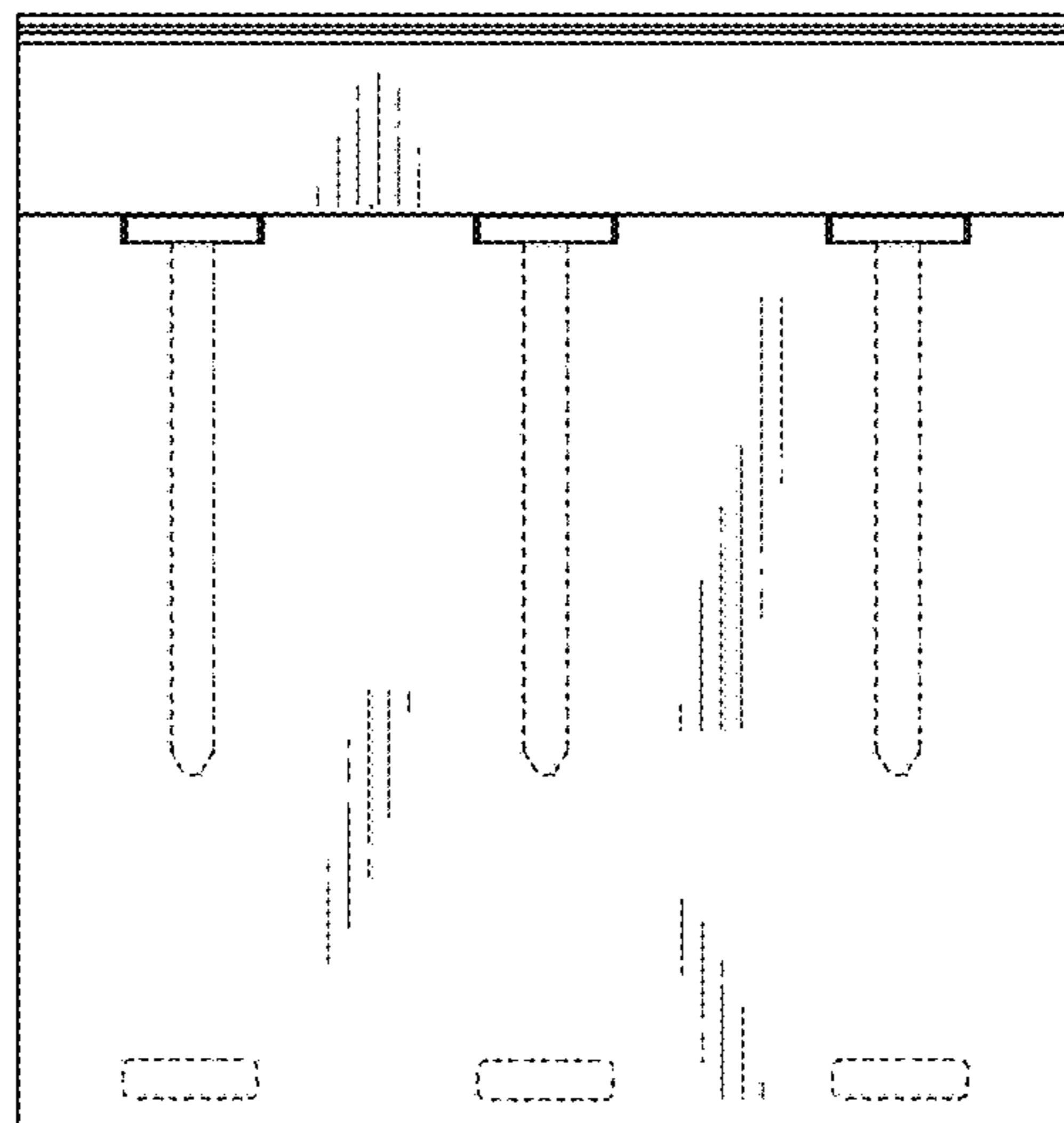


FIG. 4

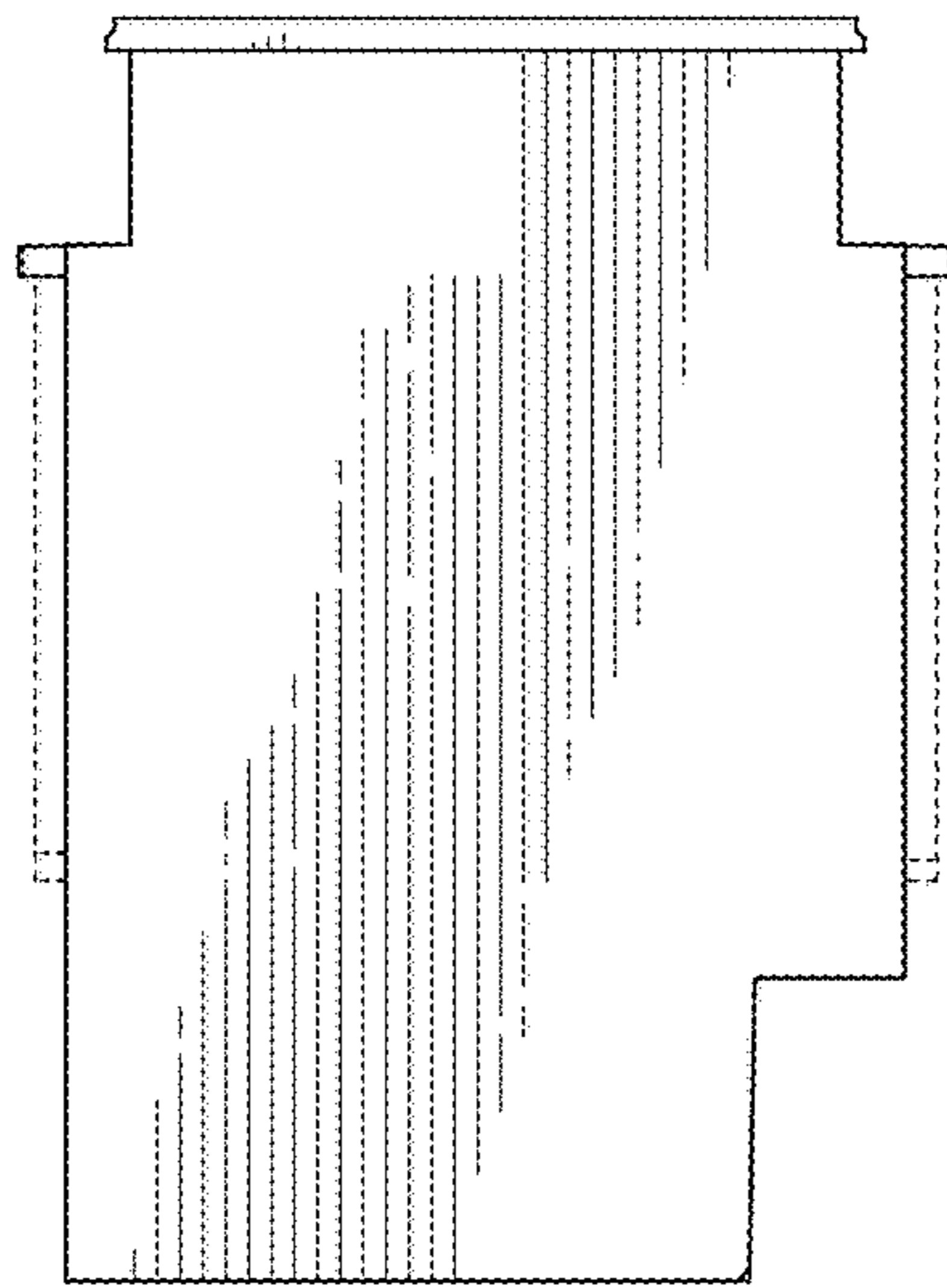


FIG. 5

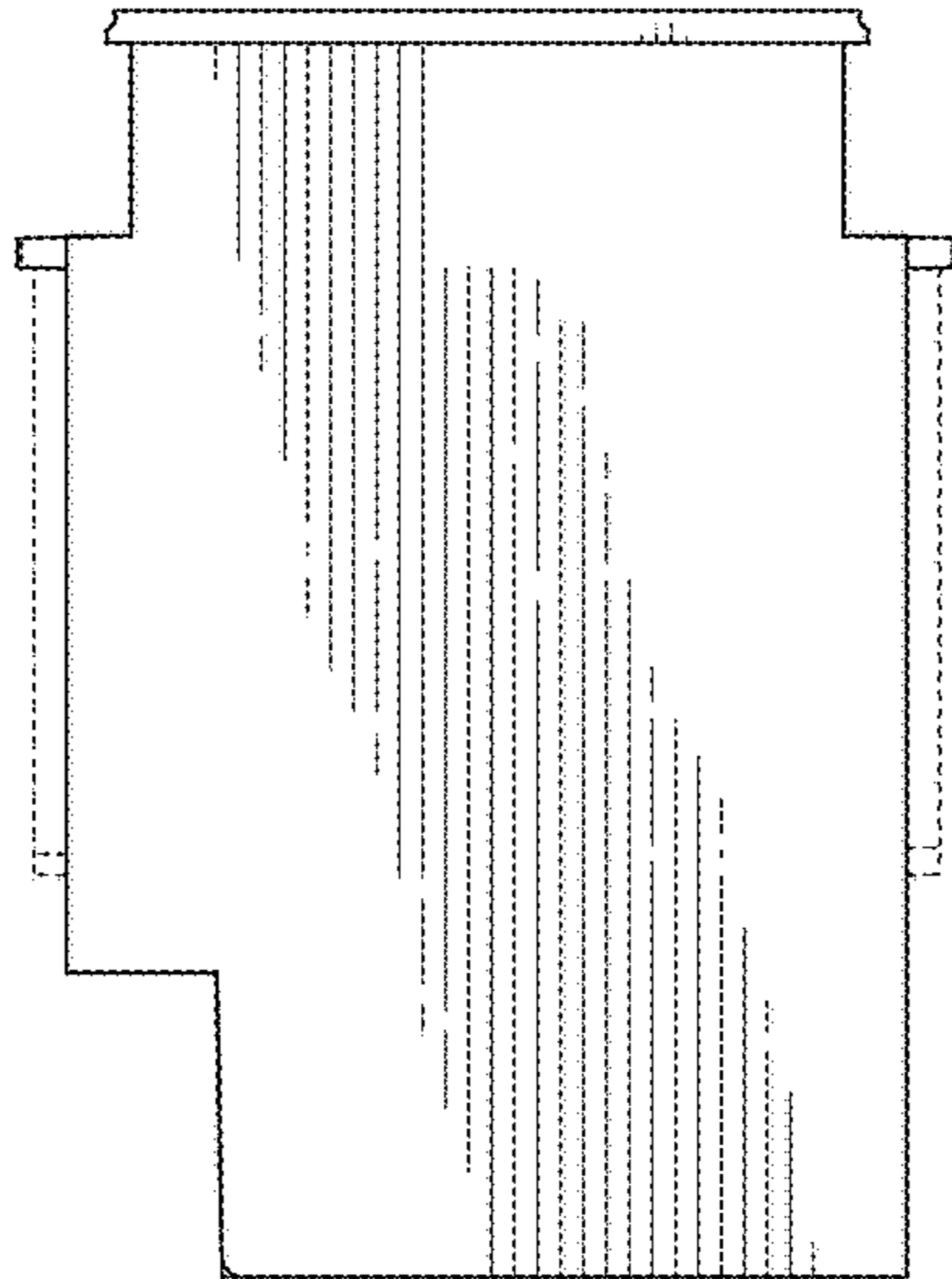


FIG. 6

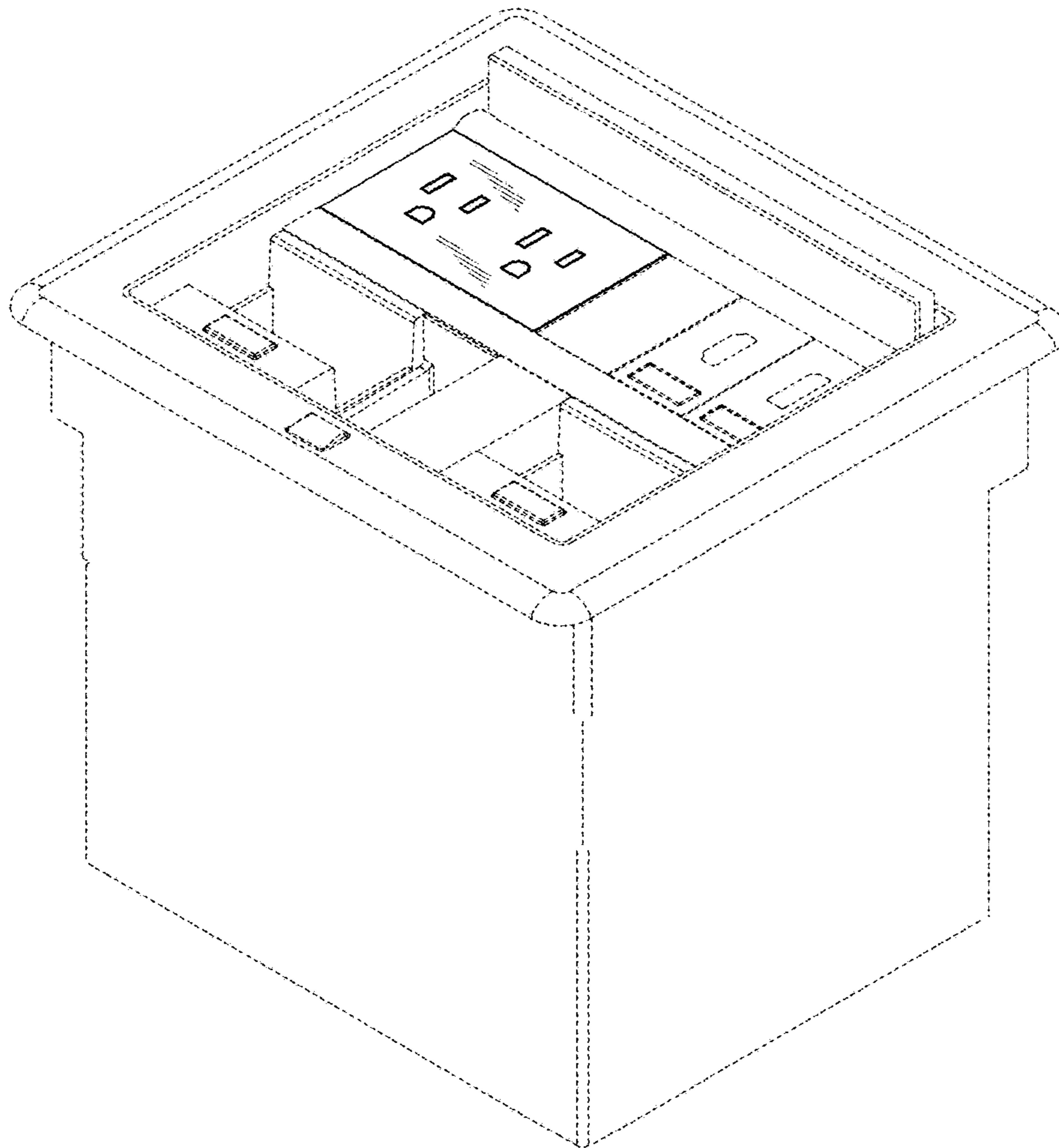


FIG. 7

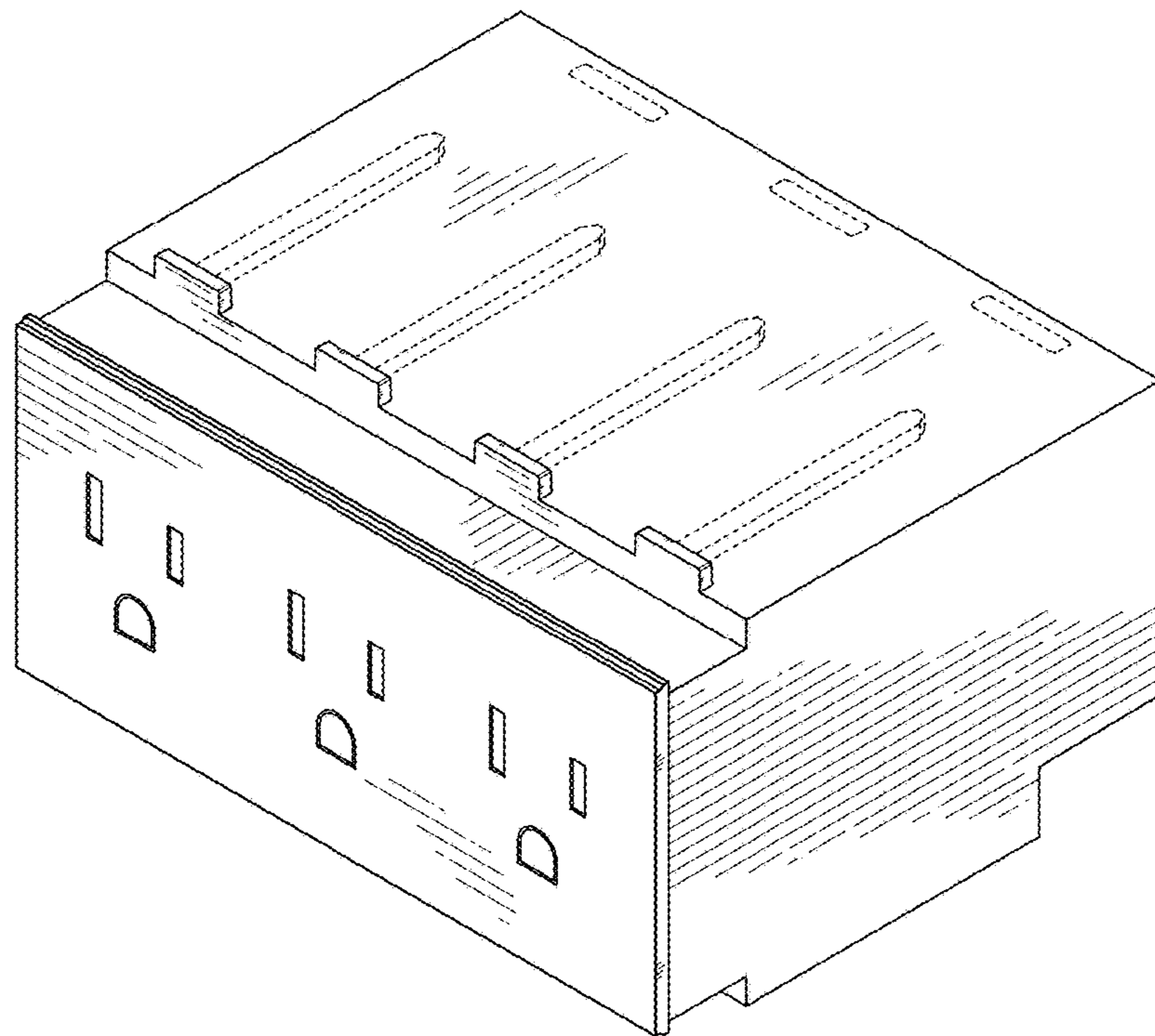


FIG. 8

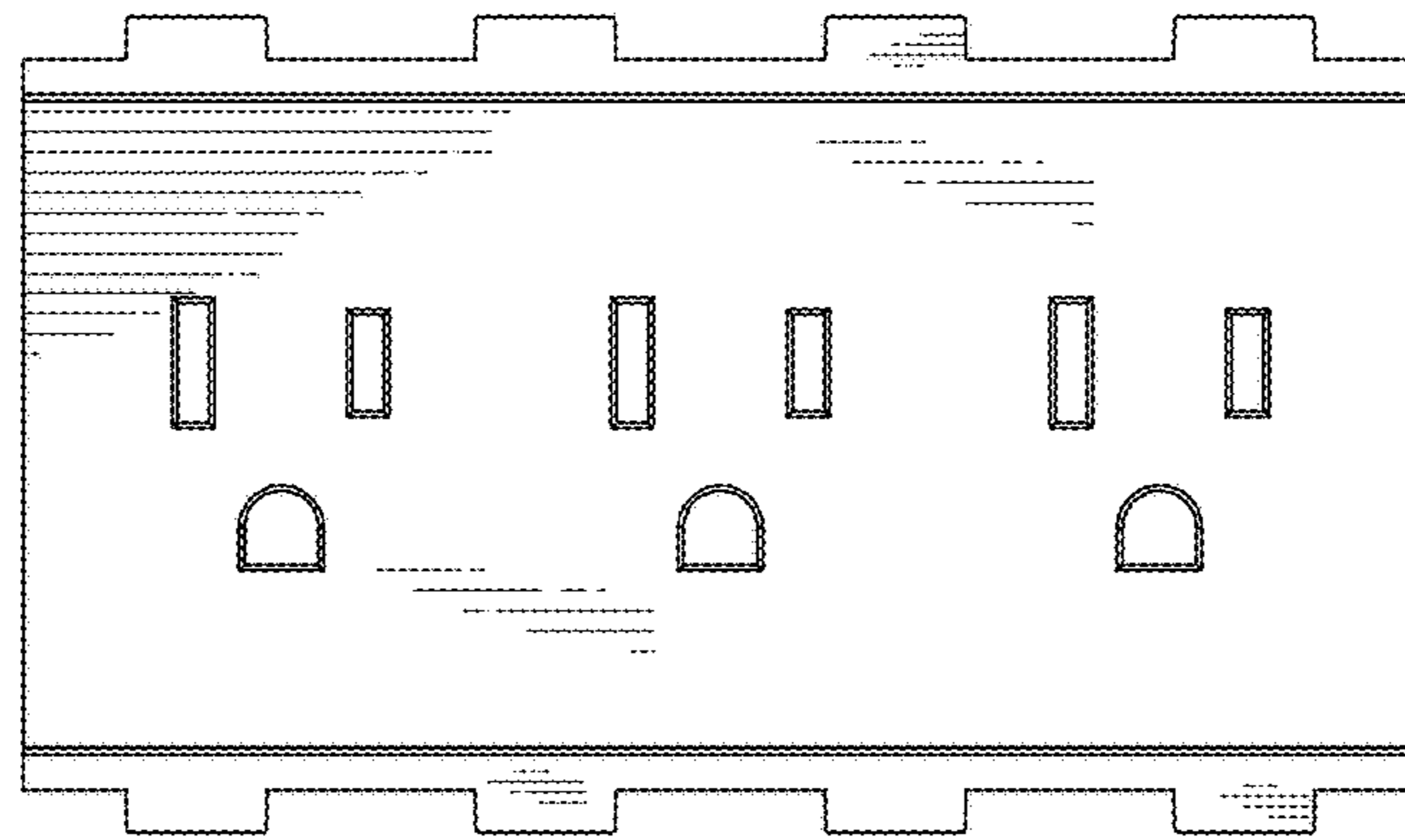


FIG. 9

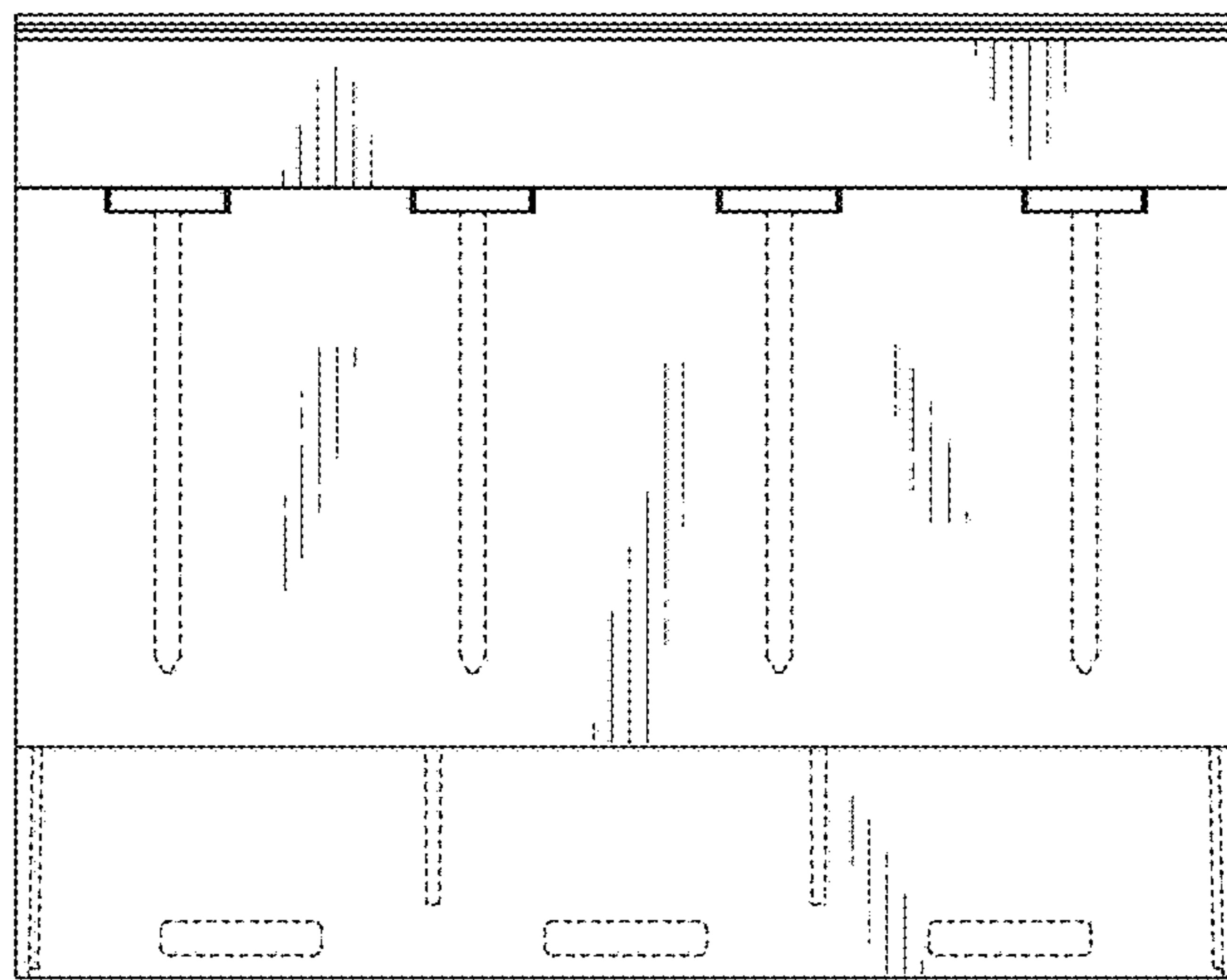


FIG. 10

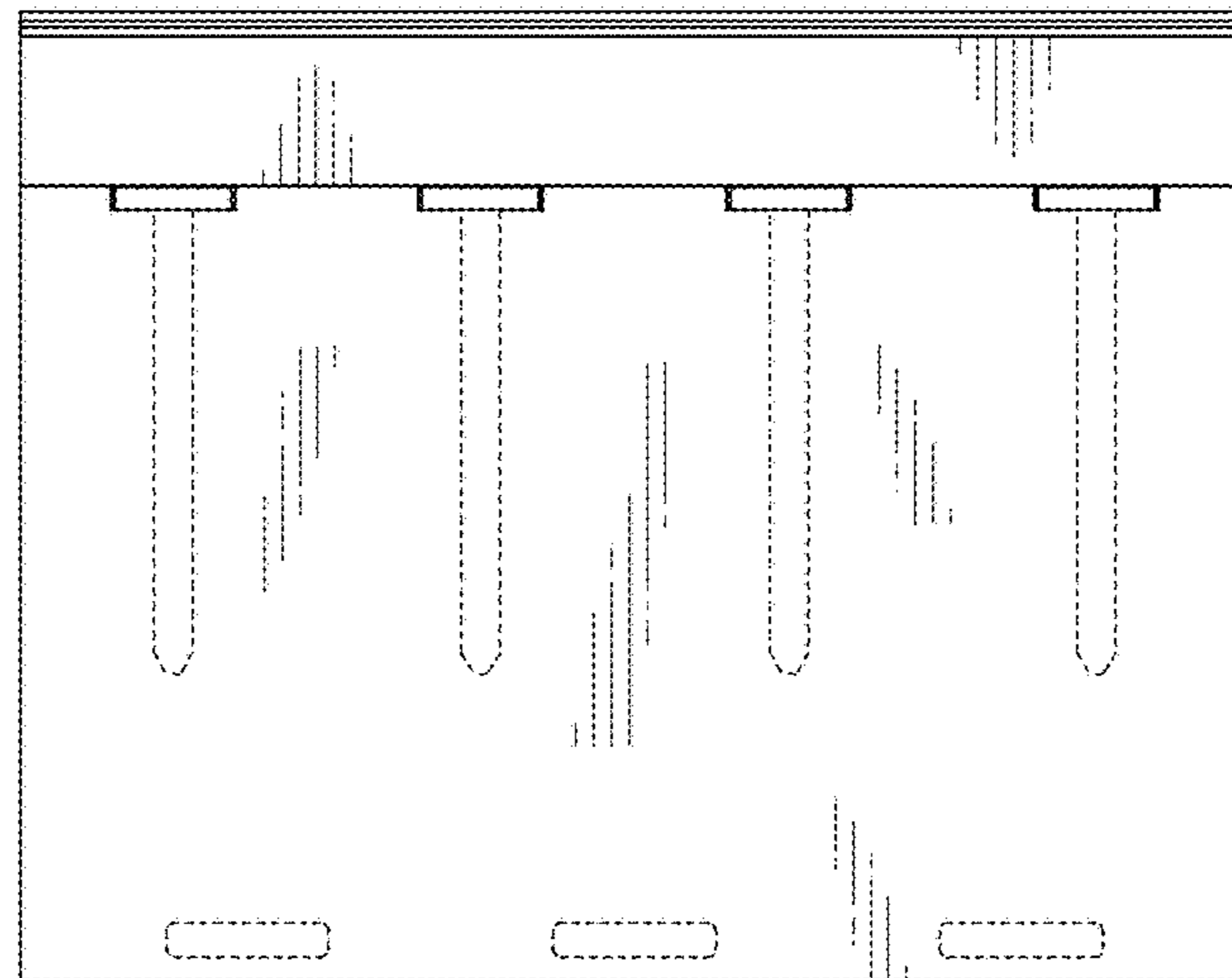


FIG. 11

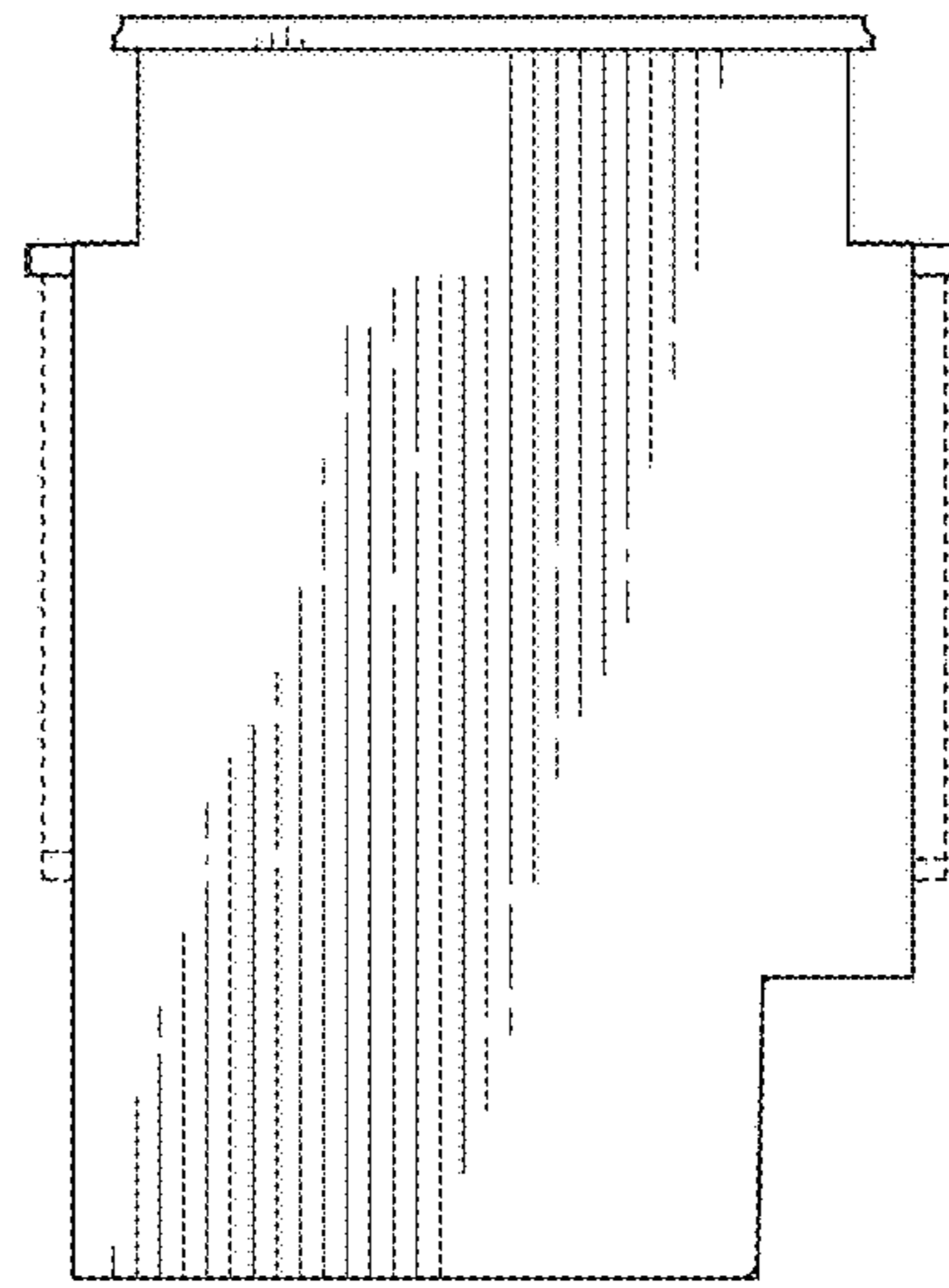


FIG. 12

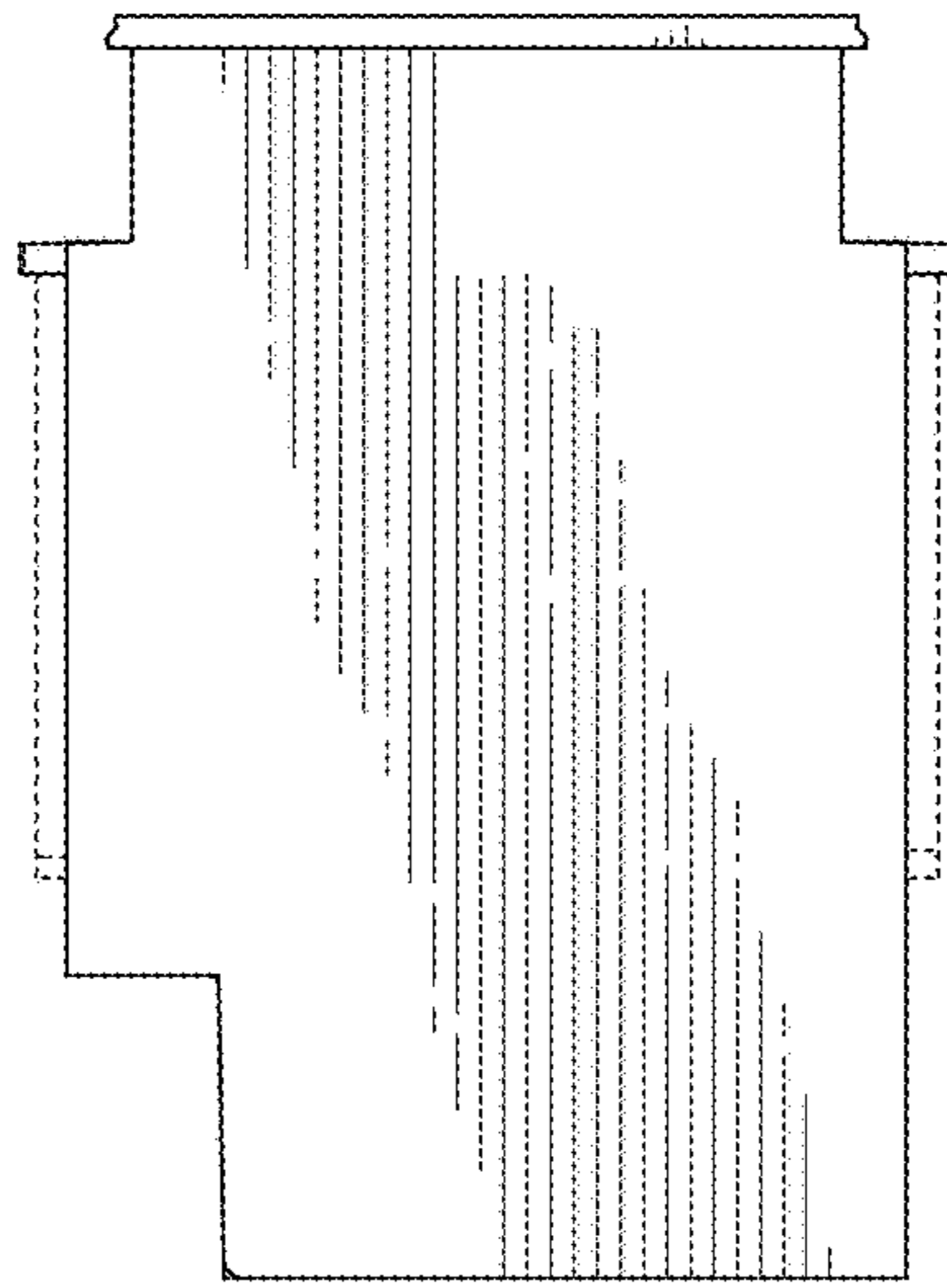


FIG. 13

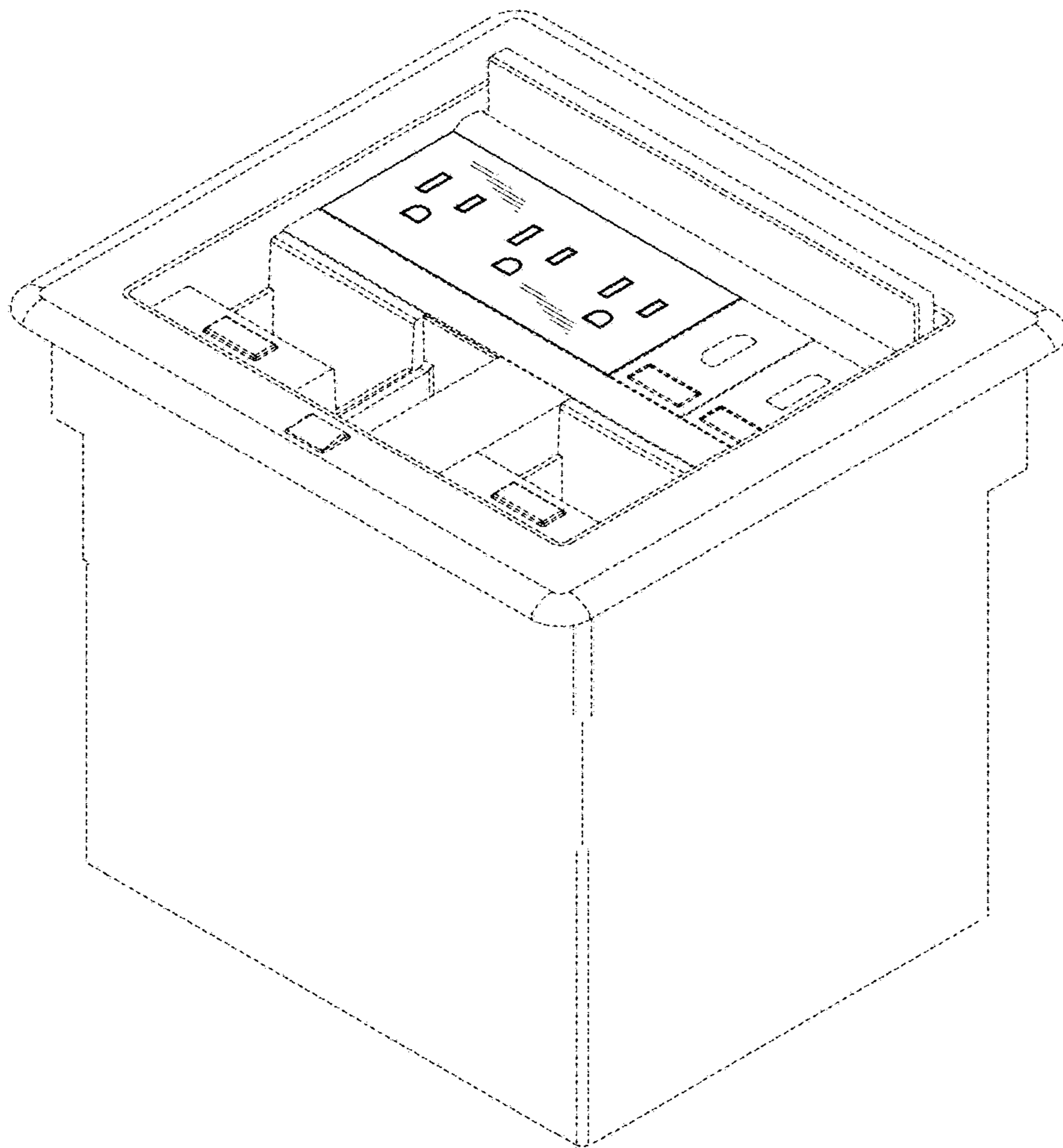


FIG. 14