



US00D858524S

(12) **United States Design Patent** (10) **Patent No.:** **US D858,524 S**  
**Pate et al.** (45) **Date of Patent:** **\*\* Sep. 3, 2019**

(54) **SYMMETRICAL INPUT DEVICE**  
(71) Applicant: **Logitech Europe S.A.**, Lausanne (CH)  
(72) Inventors: **Christopher Pate**, San Lorenzo (CA); **George Barrett**, Dublin (IE); **Cormac O’Conaire**, Dublin (IE); **Andreas Connellan**, Dublin (IE); **Kevin Forde**, Cork (IE); **Davin O’Mahony**, Dublin (IE); **Niall White**, Morges (CH); **Noirin Curran**, Dublin (IE); **Fancois Morier**, Lausanne (CH); **Fabrice Sauterel**, Lausanne (CH)  
(73) Assignee: **Logitech Europe S.A.**, Lausanne (CH)  
(\*\*) Term: **15 Years**  
(21) Appl. No.: **29/665,030**  
(22) Filed: **Sep. 28, 2018**

**Related U.S. Application Data**

(62) Division of application No. 29/553,450, filed on Feb. 1, 2016, now Pat. No. Des. 833,436.  
(51) **LOC (12) Cl.** ..... **14-02**  
(52) **U.S. Cl.**  
USPC ..... **D14/409**  
(58) **Field of Classification Search**  
USPC ..... D14/402–411, 356, 388, 389, 383–385, D14/417, 426; 345/156–167; 463/36–38; 358/471, 473; 273/148 B  
CPC ..... G06F 3/03543; G06F 2203/0333; G06F 3/039; G06F 3/038; G06F 2203/0384  
See application file for complete search history.

(56) **References Cited**  
U.S. PATENT DOCUMENTS  
D680,113 S \* 4/2013 Li ..... D14/409  
D688,664 S \* 8/2013 Guerra ..... D14/409  
D712,903 S \* 9/2014 Lai ..... D14/409  
D718,310 S \* 11/2014 Moon ..... D14/409  
D744,485 S \* 12/2015 Young ..... D14/409  
D766,903 S \* 9/2016 Young ..... D14/402  
D771,046 S \* 11/2016 Jost ..... D14/410  
D794,638 S \* 8/2017 Zheng ..... D14/409  
D821,400 S \* 6/2018 Pang ..... D14/409  
D829,717 S \* 10/2018 Lu ..... D14/409  
D833,436 S \* 11/2018 Pate ..... D14/409  
D834,577 S \* 11/2018 Odgers ..... D14/409  
D835,105 S \* 12/2018 Liu ..... D14/409  
2009/0046064 A1 \* 2/2009 Manalo ..... G06F 3/03543 345/164

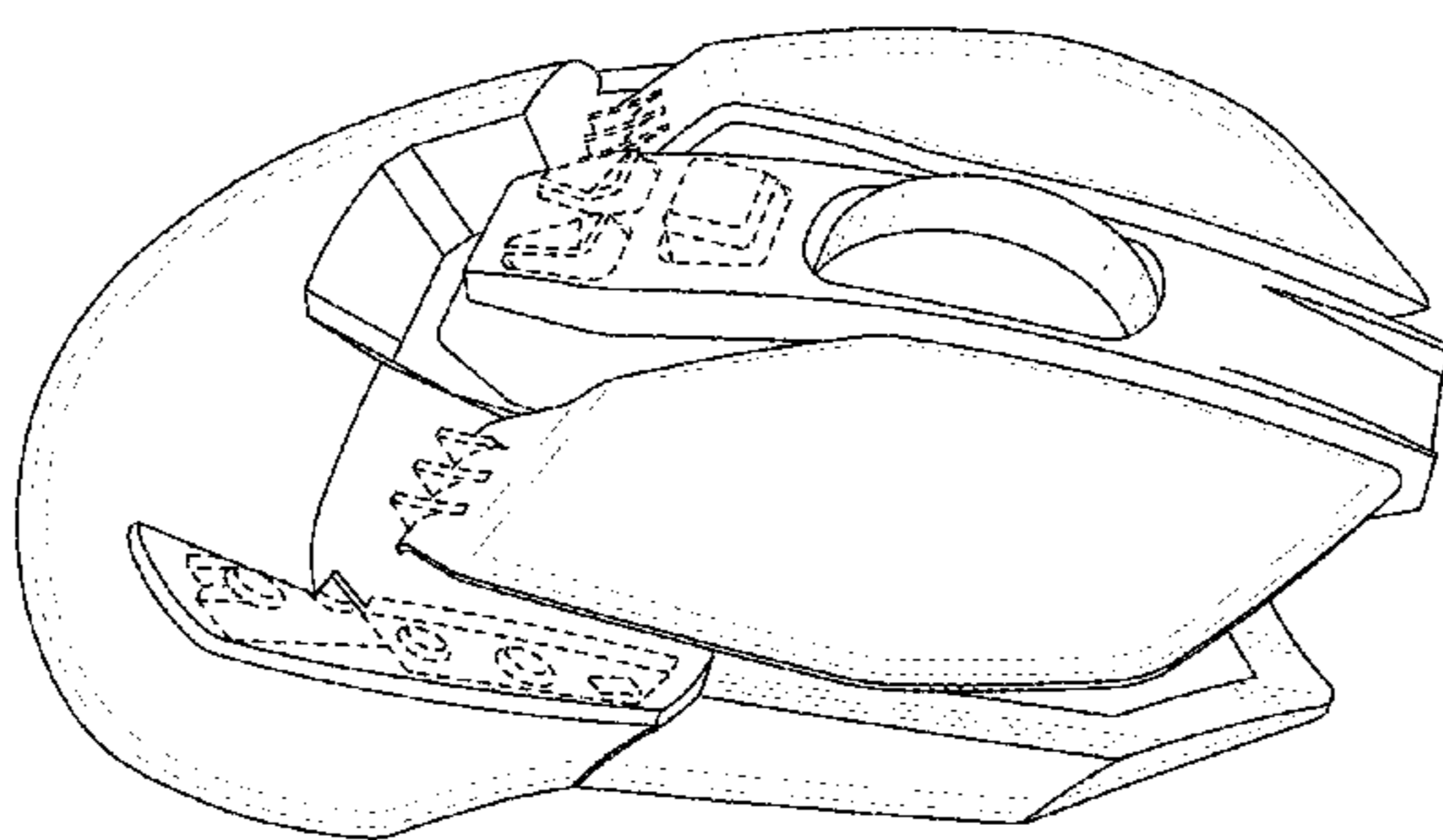
\* cited by examiner  
*Primary Examiner* — Austin Murphy  
(74) *Attorney, Agent, or Firm* — Kilpatrick Townsend & Stockton LLP

(57) **CLAIM**  
The ornamental design for our symmetrical input device, as shown and described.

**DESCRIPTION**

FIG. 1 is a right-side perspective view of a symmetrical input device showing our new design;  
FIG. 2 is a left-side perspective view thereof;  
FIG. 3 is top plan view thereof;  
FIG. 4 is bottom plan view thereof;  
FIG. 5 is a front elevational view thereof;  
FIG. 6 is rear elevational view thereof;  
FIG. 7 is a right side elevational view thereof; and,  
FIG. 8 is a left side elevational view thereof.  
The elements shown in broken lines form no part of the claimed design.

**1 Claim, 8 Drawing Sheets**



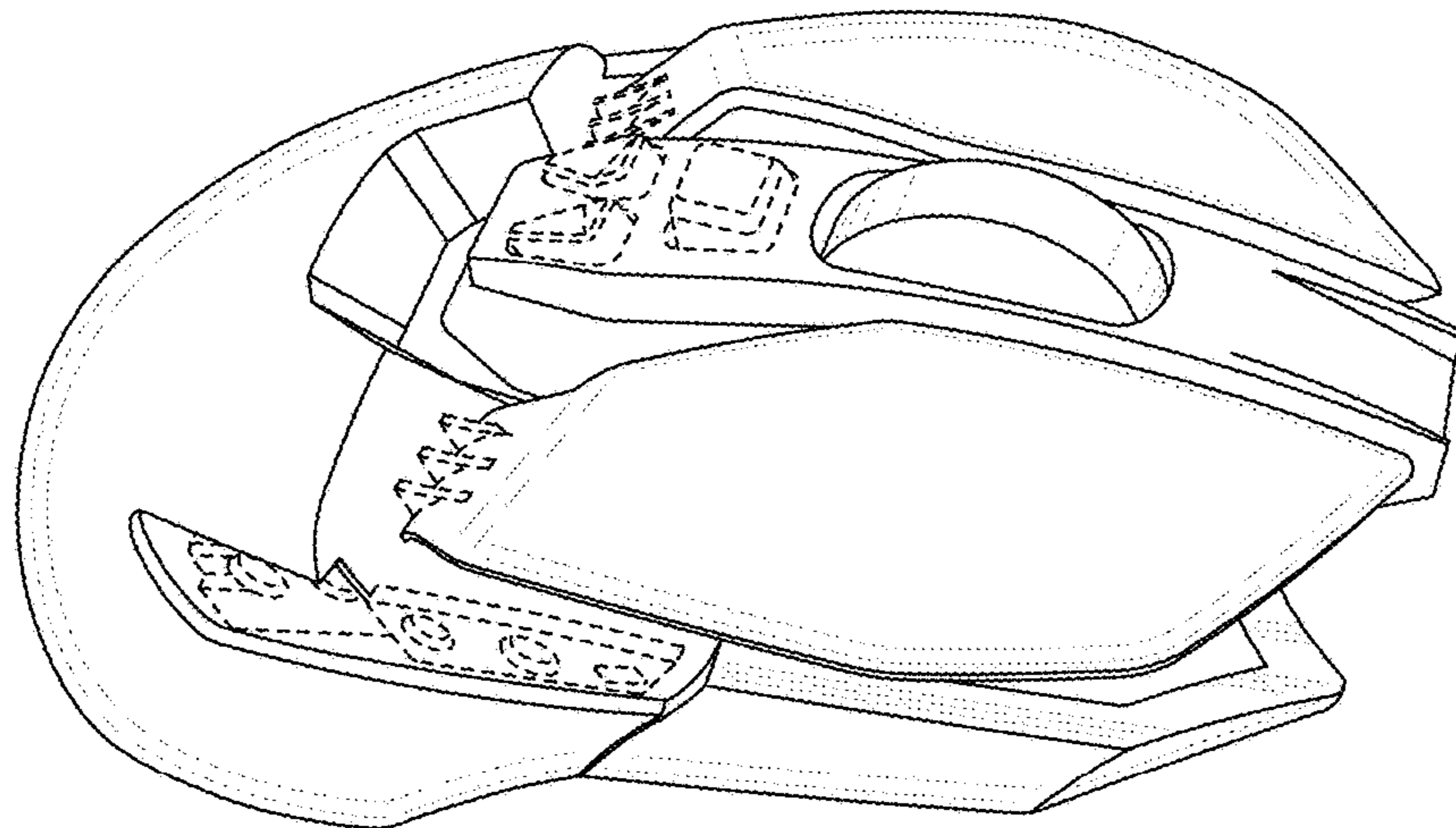


FIG. 1

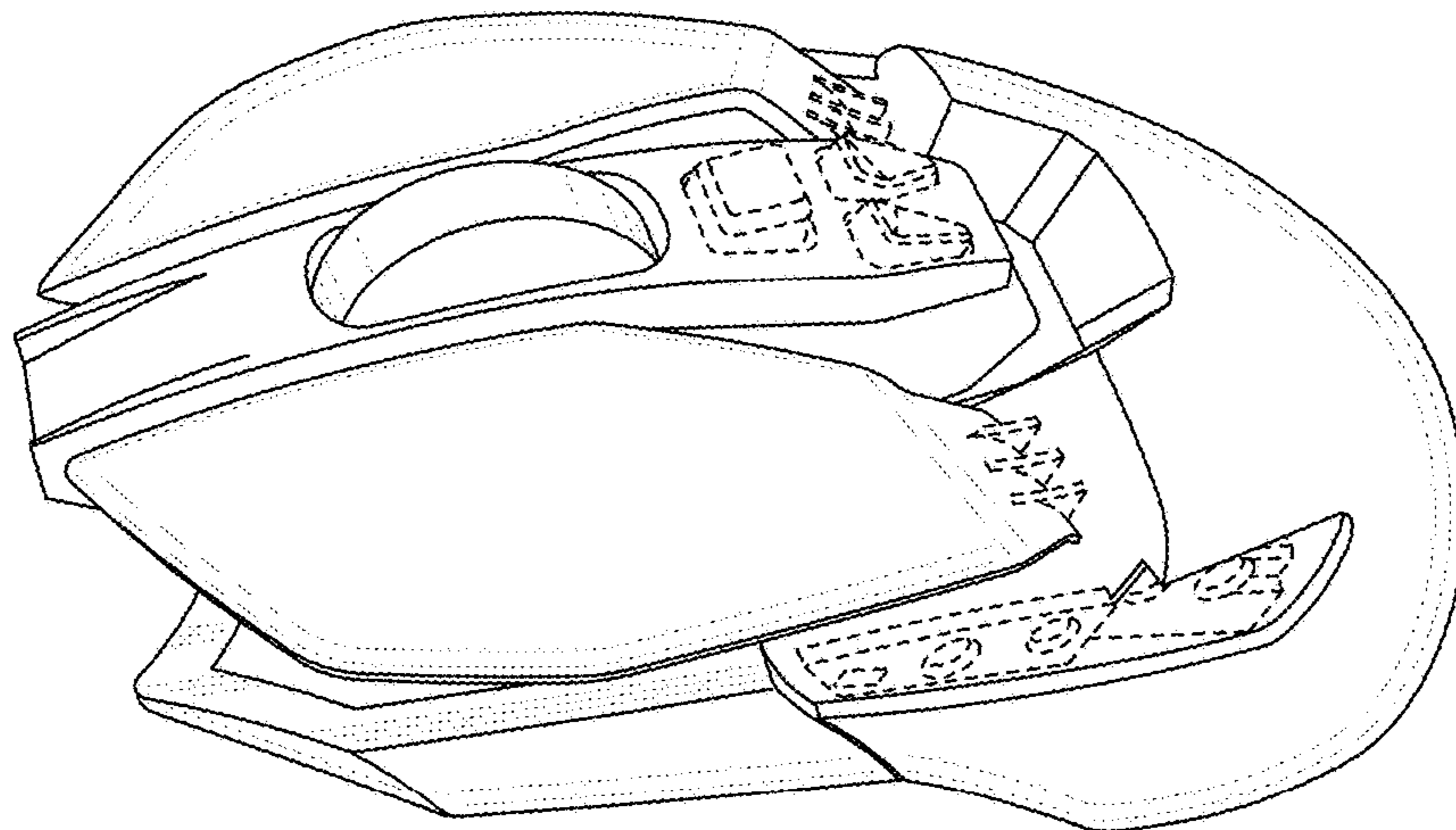


FIG. 2

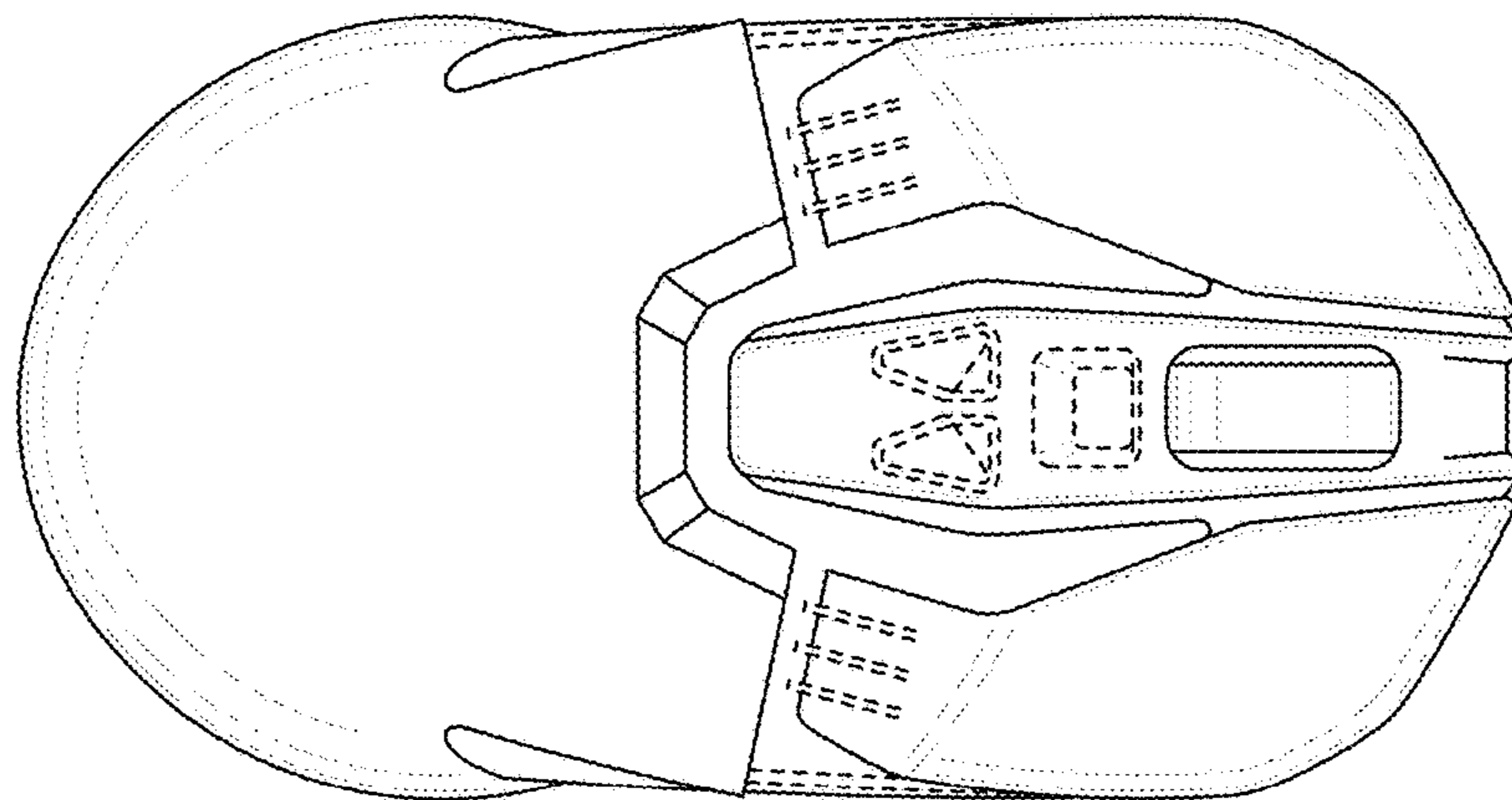


FIG. 3

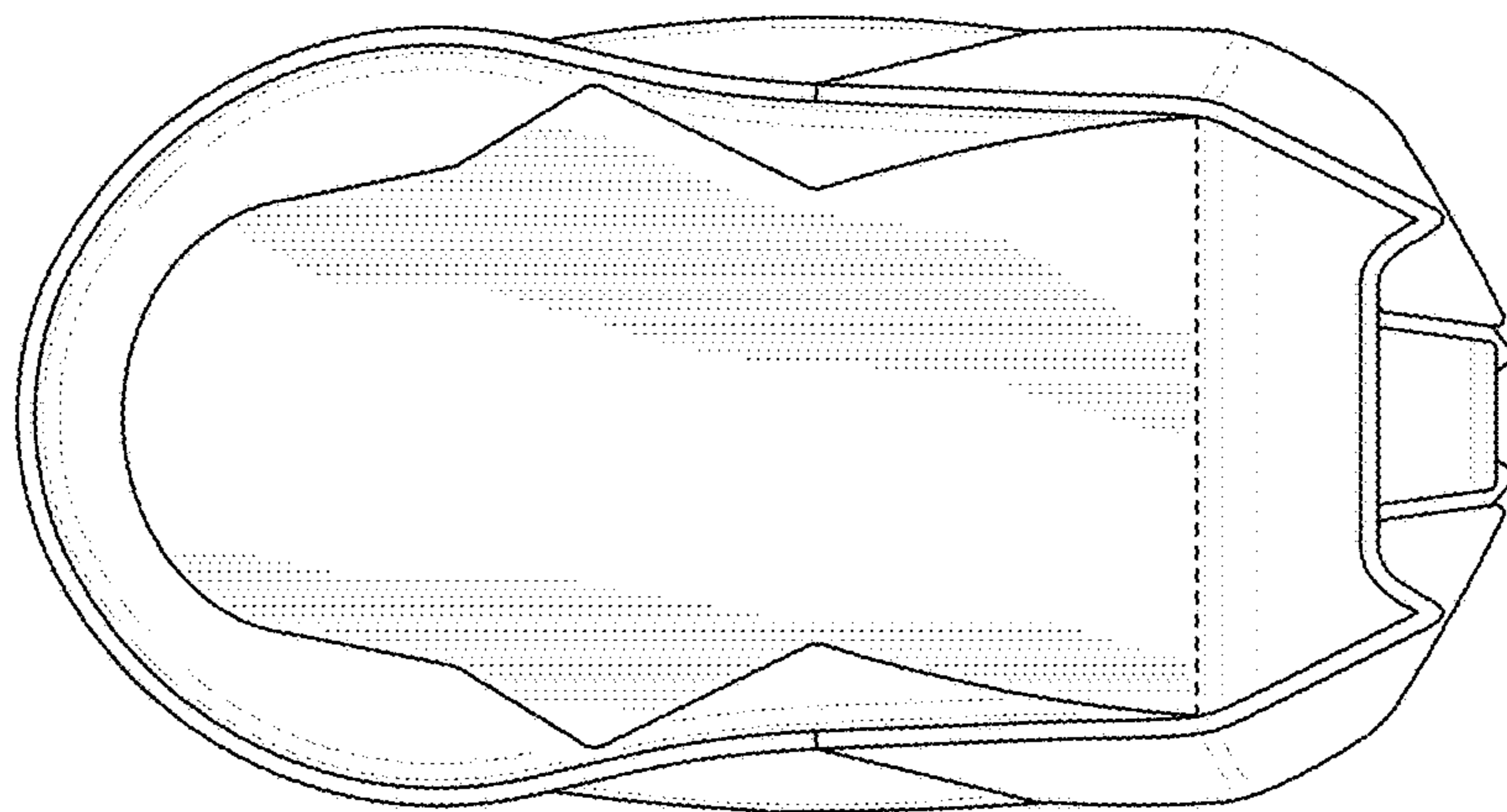


FIG. 4

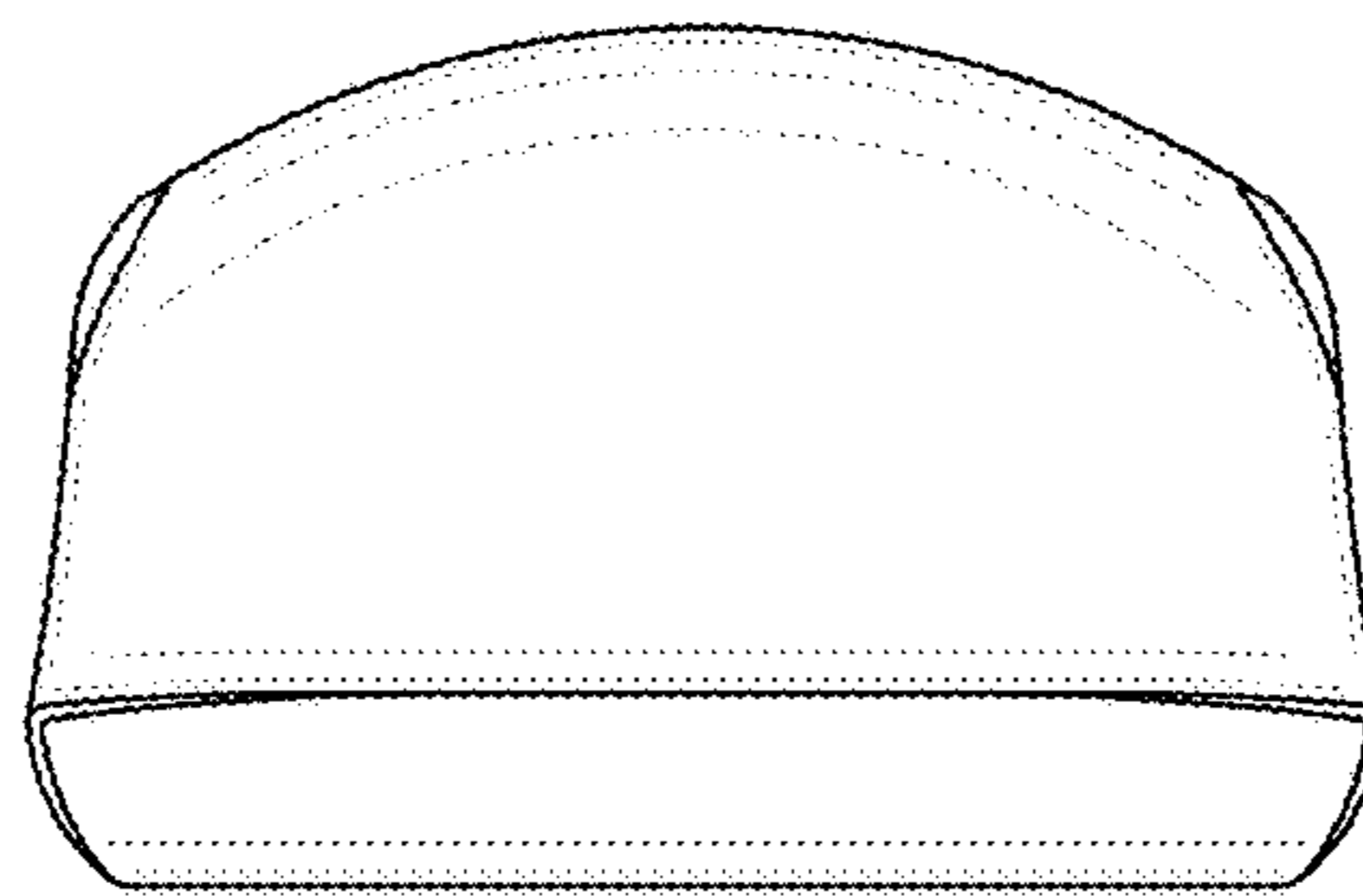


FIG. 5

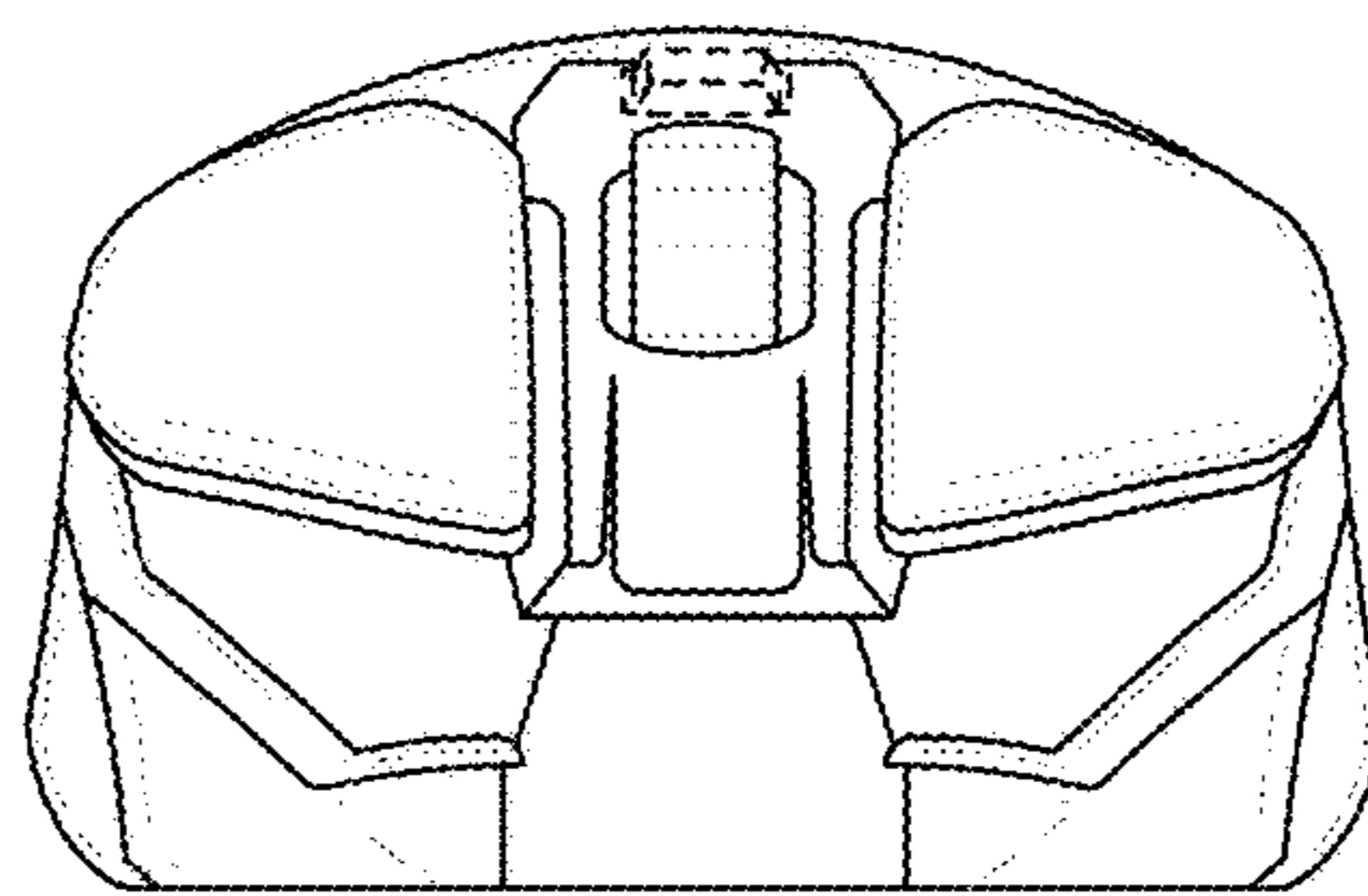


FIG. 6

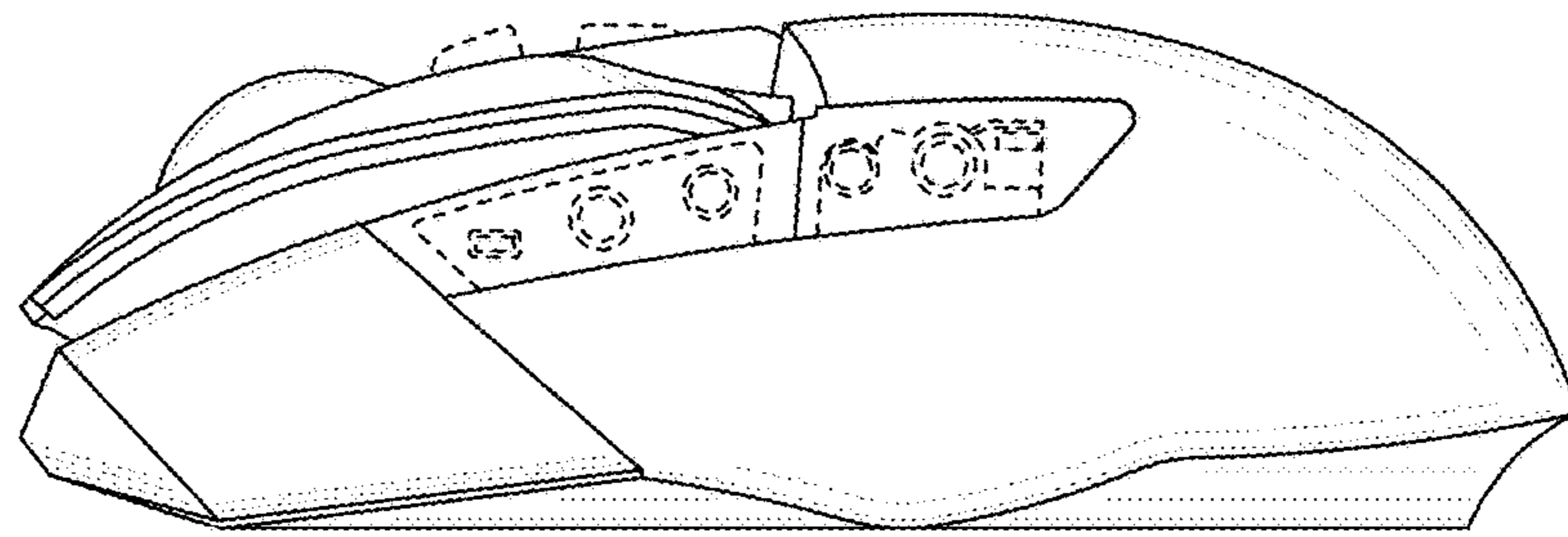


FIG. 7



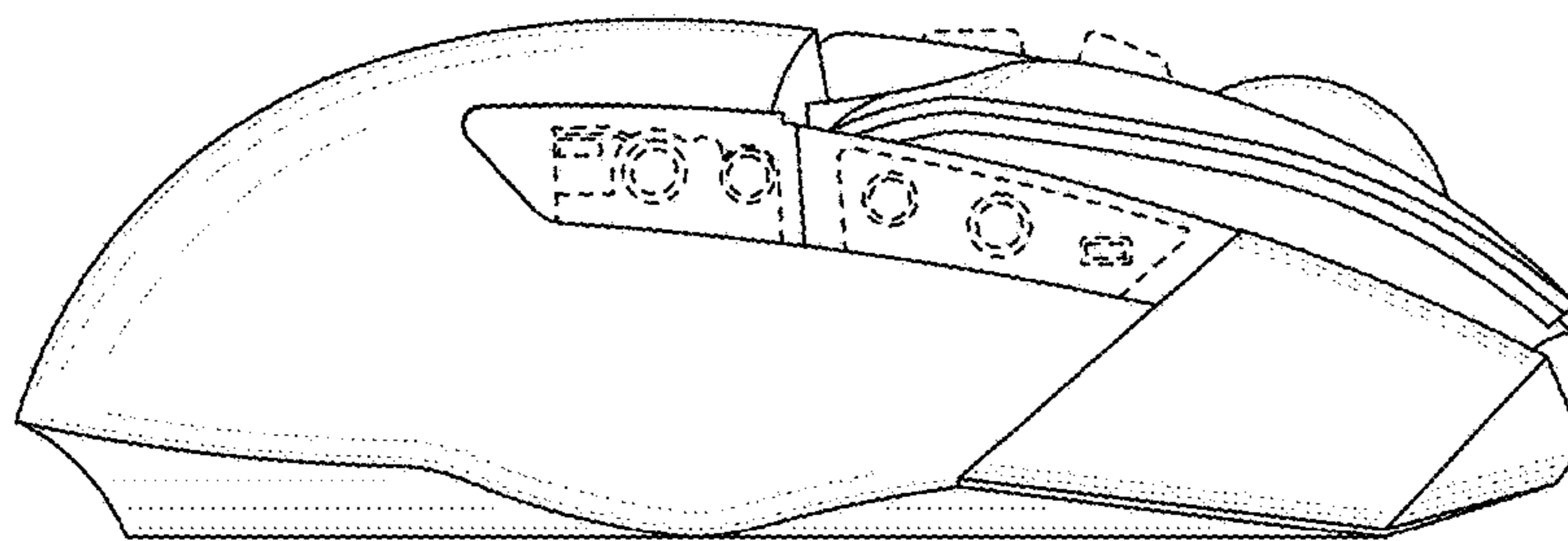


FIG. 8