



US00D858523S

(12) **United States Design Patent** (10) **Patent No.:** **US D858,523 S**
Siminoff et al. (45) **Date of Patent:** **** Sep. 3, 2019**

(54) **KEYPAD**

(71) Applicant: **AMAZON TECHNOLOGIES, INC.**,
Seattle, WA (US)

(72) Inventors: **Mark Siminoff**, Mountain View, CA
(US); **Peter Gerstberger**, Laguna
Niguel, CA (US); **Spiro Sacre**, Los
Angeles, CA (US); **Christopher Loew**,
Palo Alto, CA (US); **Andrew L.**
Russell, Philadelphia, PA (US); **James**
Siminoff, Pacific Palisades, CA (US)

(73) Assignee: **Amazon Technologies, Inc.**, Seattle,
WA (US)

(**) Term: **15 Years**

(21) Appl. No.: **29/678,523**

(22) Filed: **Jan. 29, 2019**

Related U.S. Application Data

(63) Continuation of application No. 29/617,866, filed on
Sep. 15, 2017.

(51) **LOC (12) Cl.** **14-02**

(52) **U.S. Cl.**
USPC **D14/399**

(58) **Field of Classification Search**
USPC D14/388, 389, 390, 391, 392, 396, 397,
D14/398, 399, 400, 401, 320, 331, 333,
(Continued)

(56) **References Cited**

U.S. PATENT DOCUMENTS

D297,128 S * 8/1988 Guscott D10/106.1
D357,018 S * 4/1995 Takami D14/218
(Continued)

Primary Examiner — Marie D. Fast Horse

(74) *Attorney, Agent, or Firm* — Lathrop Gage LLP

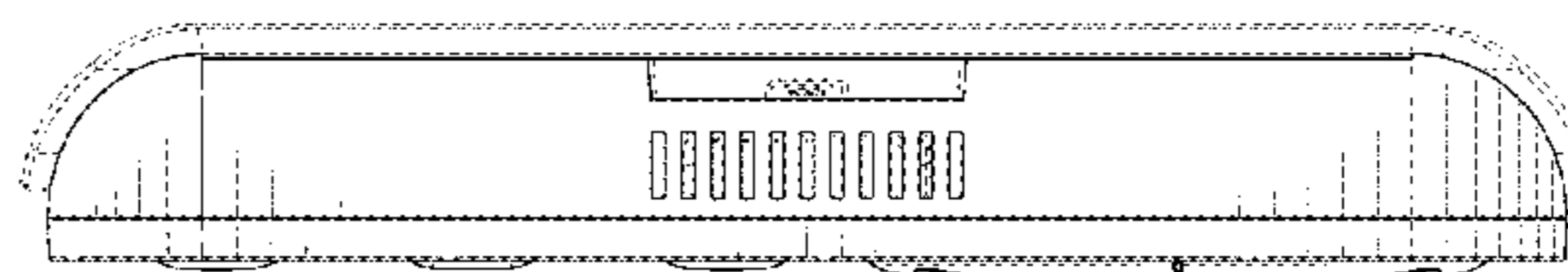
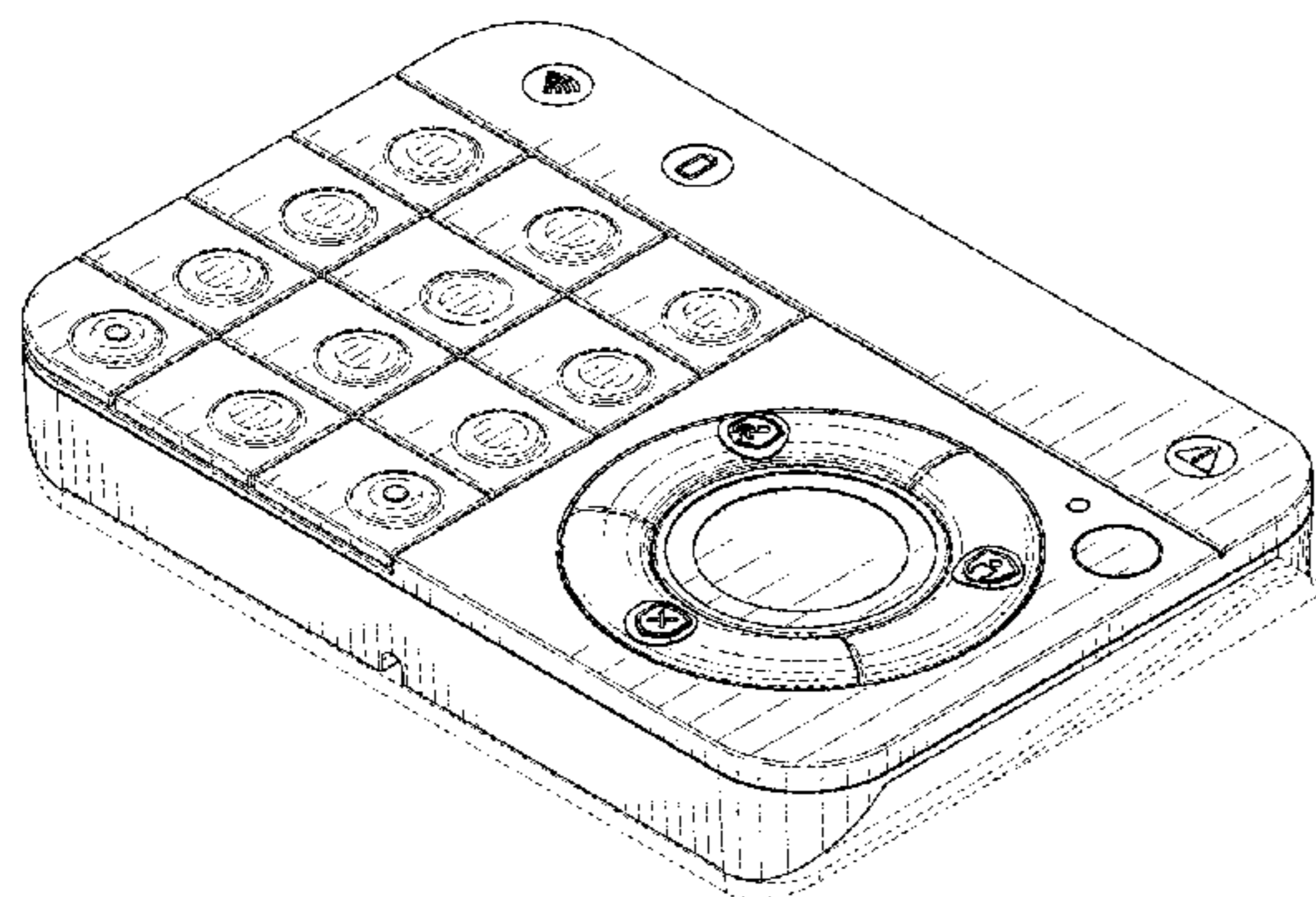
(57) **CLAIM**

The ornamental design for a keypad, as shown and
described.

DESCRIPTION

FIG. 1 is a front perspective view of the keypad according
to a first embodiment of the present design;
FIG. 2 is a front elevational view of the keypad of FIG. 1;
FIG. 3 is a rear elevational view of the keypad of FIG. 1;
FIG. 4 is a left-side elevational view of the keypad of FIG.
1;
FIG. 5 is a right-side elevational view of the keypad of FIG.
1;
FIG. 6 is a top plan view of the keypad of FIG. 1;
FIG. 7 is a bottom plan view of the keypad of FIG. 1;
FIG. 8 is a front perspective view of the keypad according
to a second embodiment of the present design;
FIG. 9 is a front elevational view of the keypad of FIG. 8;
FIG. 10 is a rear elevational view of the keypad of FIG. 8;
FIG. 11 is a left-side elevational view of the keypad of FIG.
8;
FIG. 12 is a right-side elevational view of the keypad of FIG.
8;
FIG. 13 is a top plan view of the keypad of FIG. 8;
FIG. 14 is a bottom plan view of the keypad of FIG. 8;
FIG. 15 is a front perspective view of the keypad according
to a third embodiment of the present design;
FIG. 16 is a front elevational view of the keypad of FIG. 15;
FIG. 17 is a rear elevational view of the keypad of FIG. 15;
FIG. 18 is a left-side elevational view of the keypad of FIG.
15;
FIG. 19 is a right-side elevational view of the keypad of FIG.
15;
FIG. 20 is a top plan view of the keypad of FIG. 15; and,
FIG. 21 is a bottom plan view of the keypad of FIG. 15.
The broken lines shown in the drawings depict portions of
the keypad that form no part of the claimed design.

1 Claim, 15 Drawing Sheets



(58) **Field of Classification Search**

USPC D14/334, 338, 339, 341, 346, 356, 347,
 D14/379, 380, 384, 218, 455; D18/6, 7,
 D18/8, 12, 12.1, 12.2, 24, 29, 57; D19/6,
 D19/9, 10; D20/11; D21/324-333, 517,
 D21/512; D99/43, 99; D13/162, 162.1,
 D13/164, 168, 184, 123; D10/46, 75,
 D10/104.1, 106.1, 106.3, 106.9, 106.95
 CPC G06F 15/02; G06F 15/0216; G06F 15/025;
 G06F 15/0225; G06F 15/0258; G06F
 1/1671; G06F 1/02; G06F 3/016; G06F
 3/021; G08B 13/00; G08B 13/02; G08C
 17/00; G08C 17/02; H04B 1/202; G05B
 2219/2419; G05B 2219/45109

See application file for complete search history.

(56) **References Cited**

U.S. PATENT DOCUMENTS

D380,464 S * 7/1997 Ikenaga D14/399
 D389,762 S * 1/1998 Yorkey D10/104.1
 D398,912 S * 9/1998 Phillips D14/399
 D489,722 S * 5/2004 Matuschek D14/388
 D514,462 S * 2/2006 Yang D10/106.1
 D532,415 S * 11/2006 Chen D14/399
 D541,800 S * 5/2007 Ponnert D14/388
 D542,792 S * 5/2007 Beamish D14/388
 D581,303 S * 11/2008 Concari D10/104.1
 D602,474 S * 10/2009 Hansen D14/218
 D634,734 S * 3/2011 Cho D14/218
 D645,848 S * 9/2011 Arnholt D14/218

D665,083 S * 8/2012 Yang D14/388
 D671,917 S * 12/2012 Gibbens, Jr. D14/218
 D697,057 S * 1/2014 Kwon D14/218
 D699,613 S * 2/2014 Ke D10/106.95
 D709,480 S * 7/2014 Kim D14/218
 D713,820 S * 9/2014 O'Neil D14/218
 D716,963 S * 11/2014 Yosef D24/215
 D718,720 S * 12/2014 Rader D13/162
 D718,721 S * 12/2014 Rader D13/162
 D722,297 S * 2/2015 Rader D13/162
 D723,478 S * 3/2015 Turksu D13/168
 D723,521 S * 3/2015 Chen D14/218
 D733,100 S * 6/2015 Kim D14/218
 D750,572 S * 3/2016 Brooking D10/106.1
 D760,197 S * 6/2016 Huebner D14/218
 D763,359 S * 8/2016 Kwong D14/401
 D766,241 S * 9/2016 Maletz D10/104.1
 D777,050 S * 1/2017 Will D10/104.1
 D798,177 S * 9/2017 Siminoff D10/118.2
 D802,463 S * 11/2017 Siminoff D10/118.2
 D809,520 S * 2/2018 Jou D14/455
 D818,387 S * 5/2018 Chen D10/118.2
 D819,476 S * 6/2018 Siminoff D10/118.2
 D820,137 S * 6/2018 Siminoff D10/118.2
 D820,708 S * 6/2018 Siminoff D10/118.2
 D822,005 S * 7/2018 Goltche D14/218
 D822,033 S * 7/2018 Rosenberg D14/455
 D822,518 S * 7/2018 Siminoff D10/118.2
 D822,519 S * 7/2018 Siminoff D10/118.2
 D822,520 S * 7/2018 Siminoff D10/118.2
 D828,200 S * 9/2018 Ahman D10/118.2
 D829,585 S * 10/2018 Siminoff D10/118.2
 D830,871 S * 10/2018 Siminoff D10/118.2
 D833,313 S * 11/2018 Siminoff D10/118.2

* cited by examiner

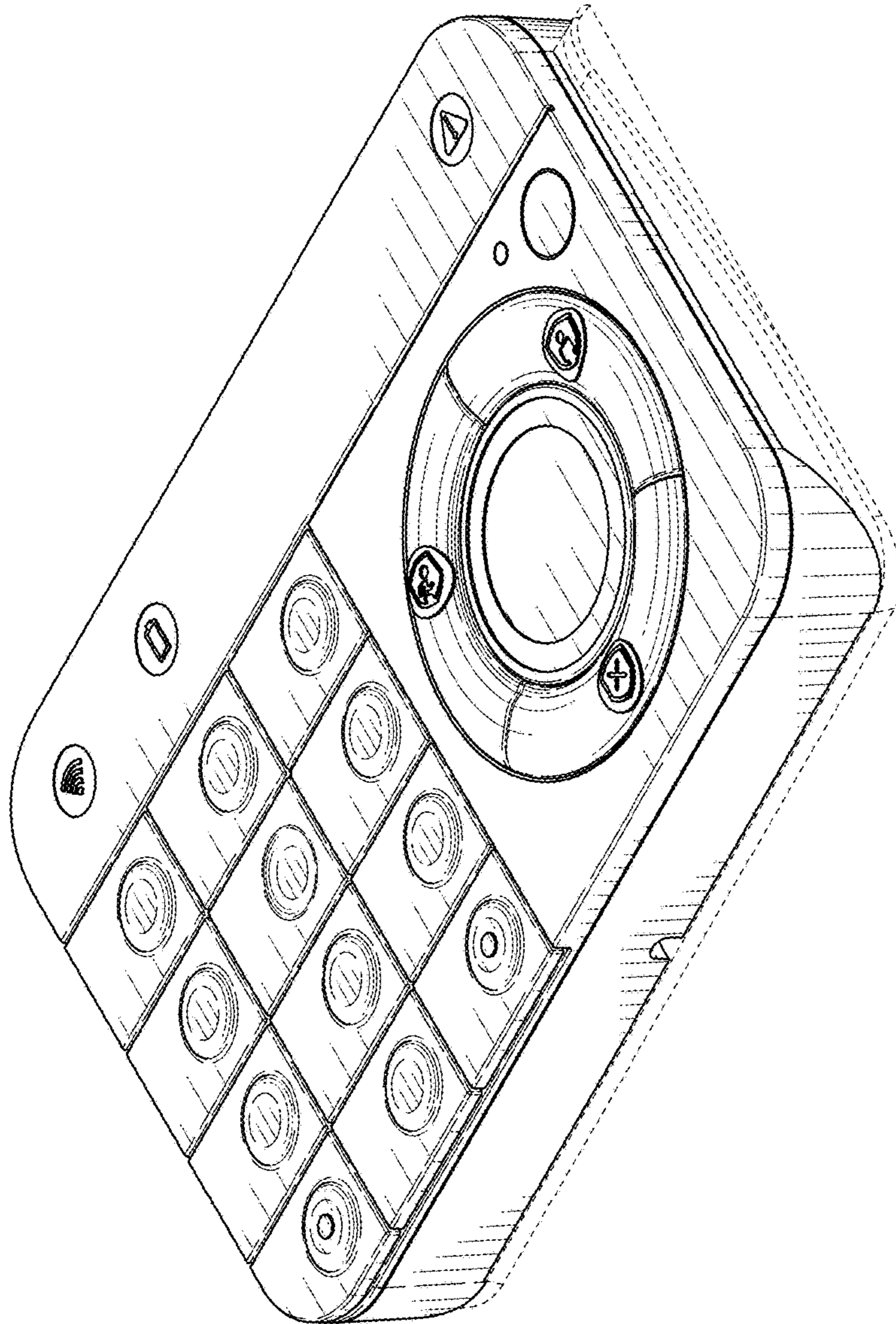


FIG. 1

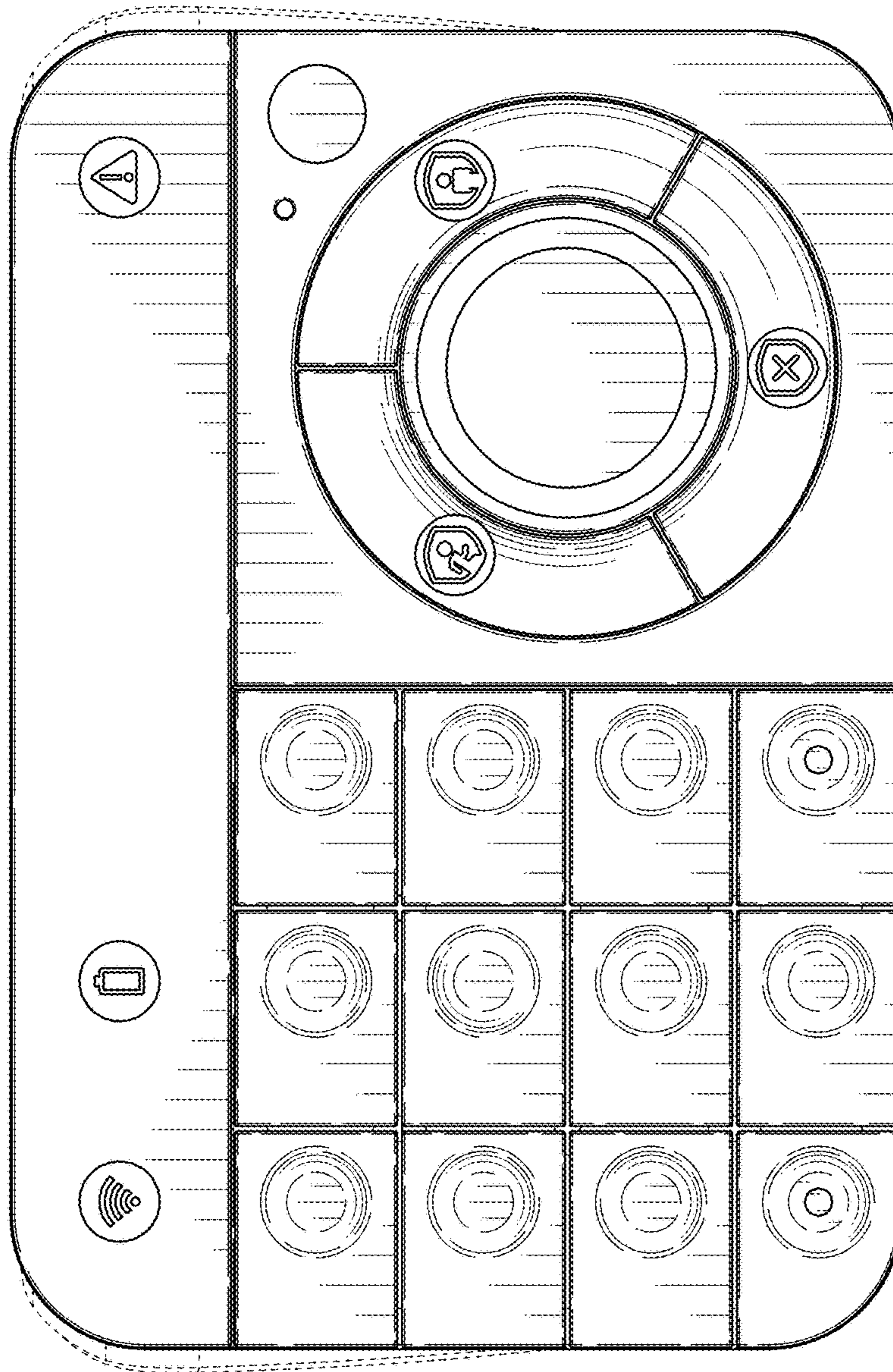


FIG. 2

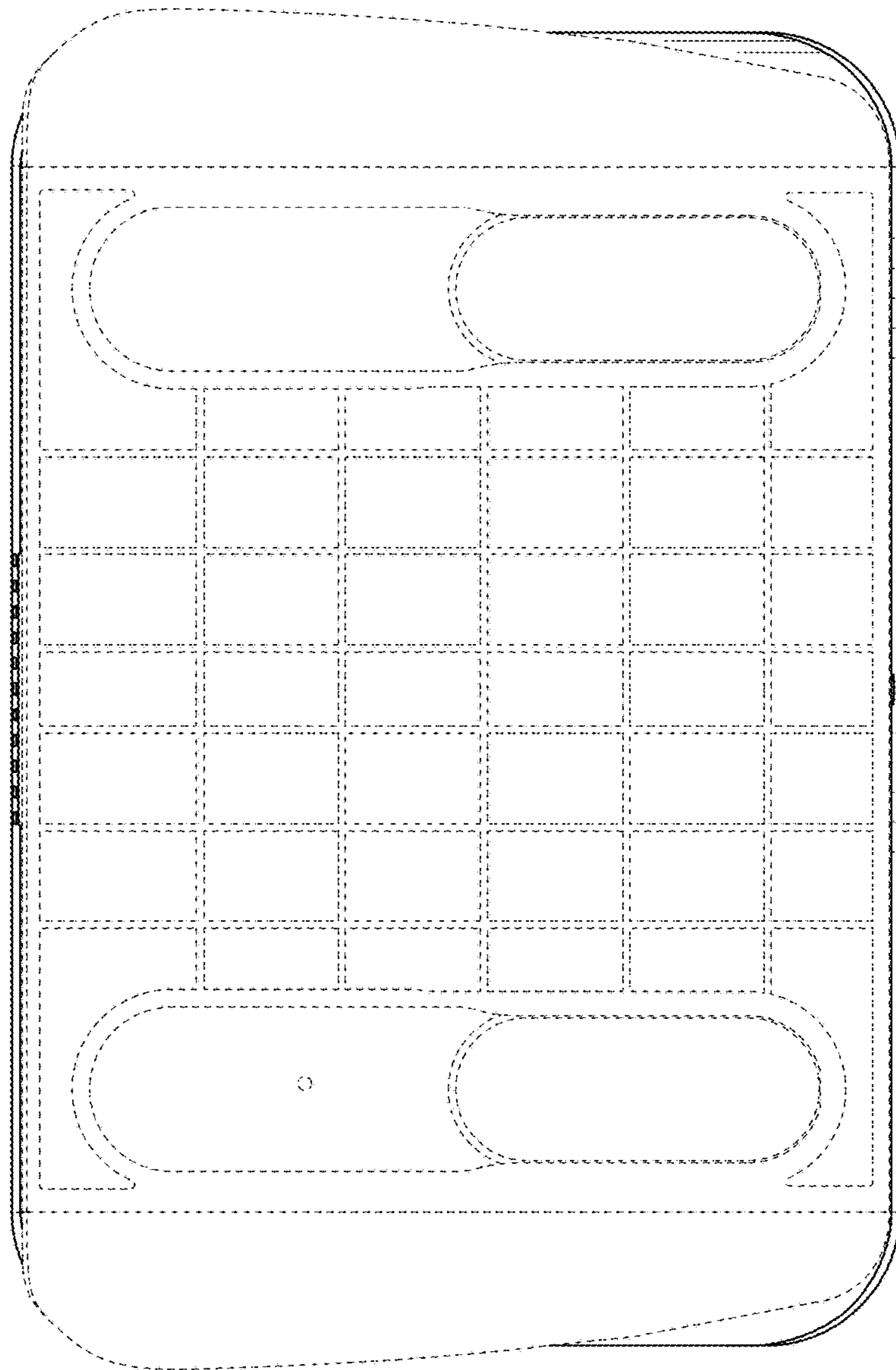


FIG. 3

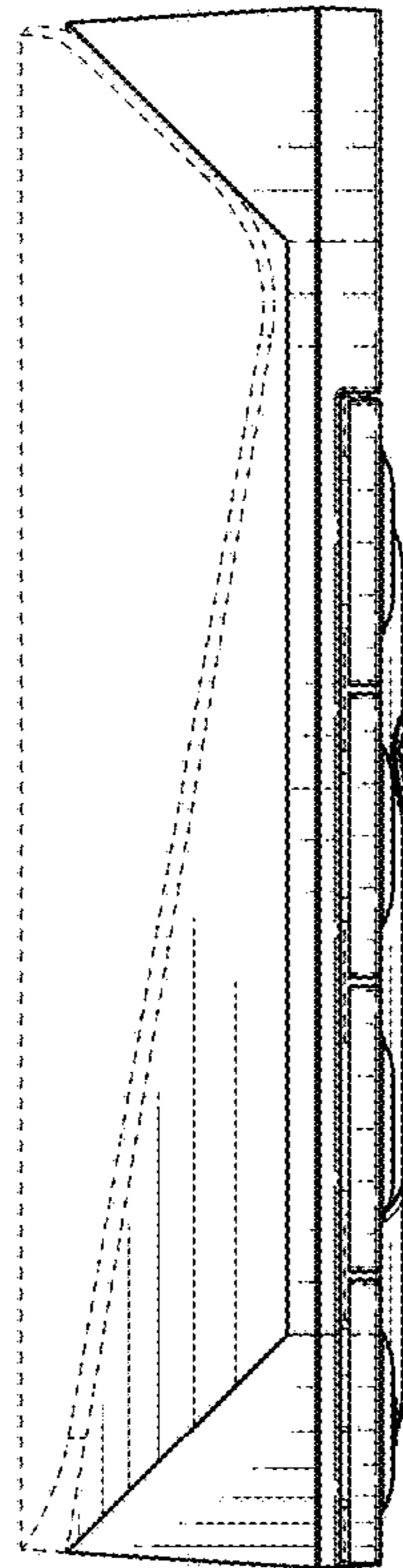


FIG. 4

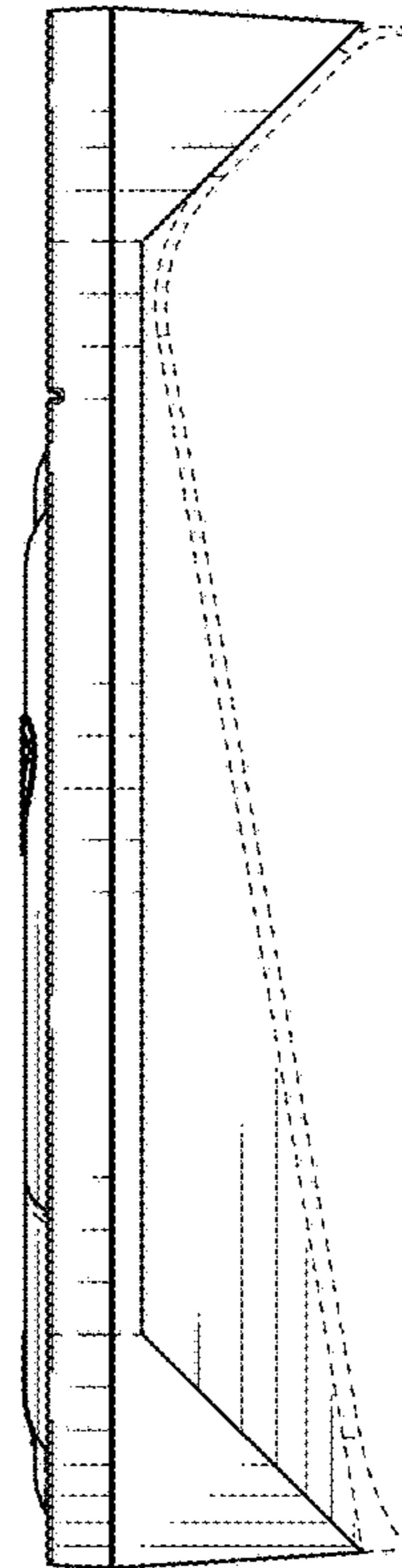


FIG. 5

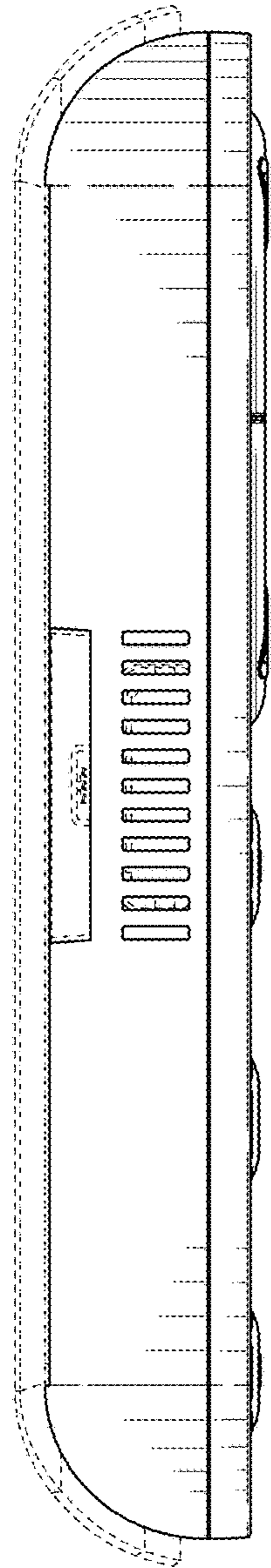


FIG. 6

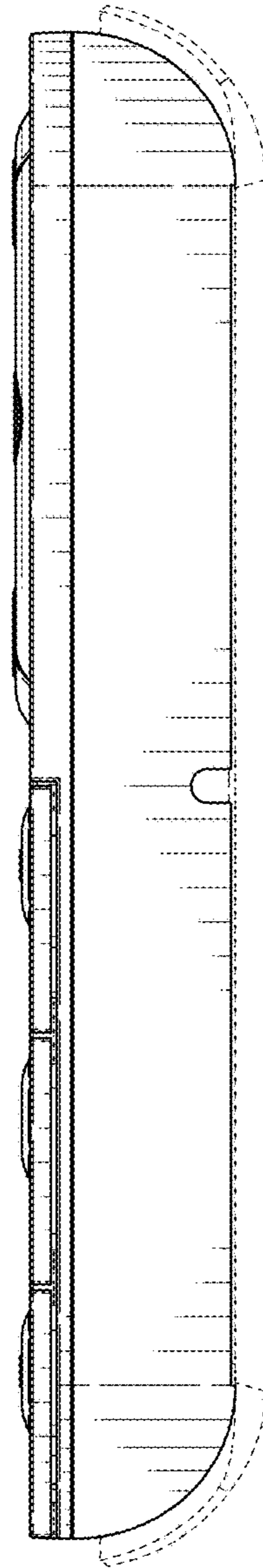


FIG. 7

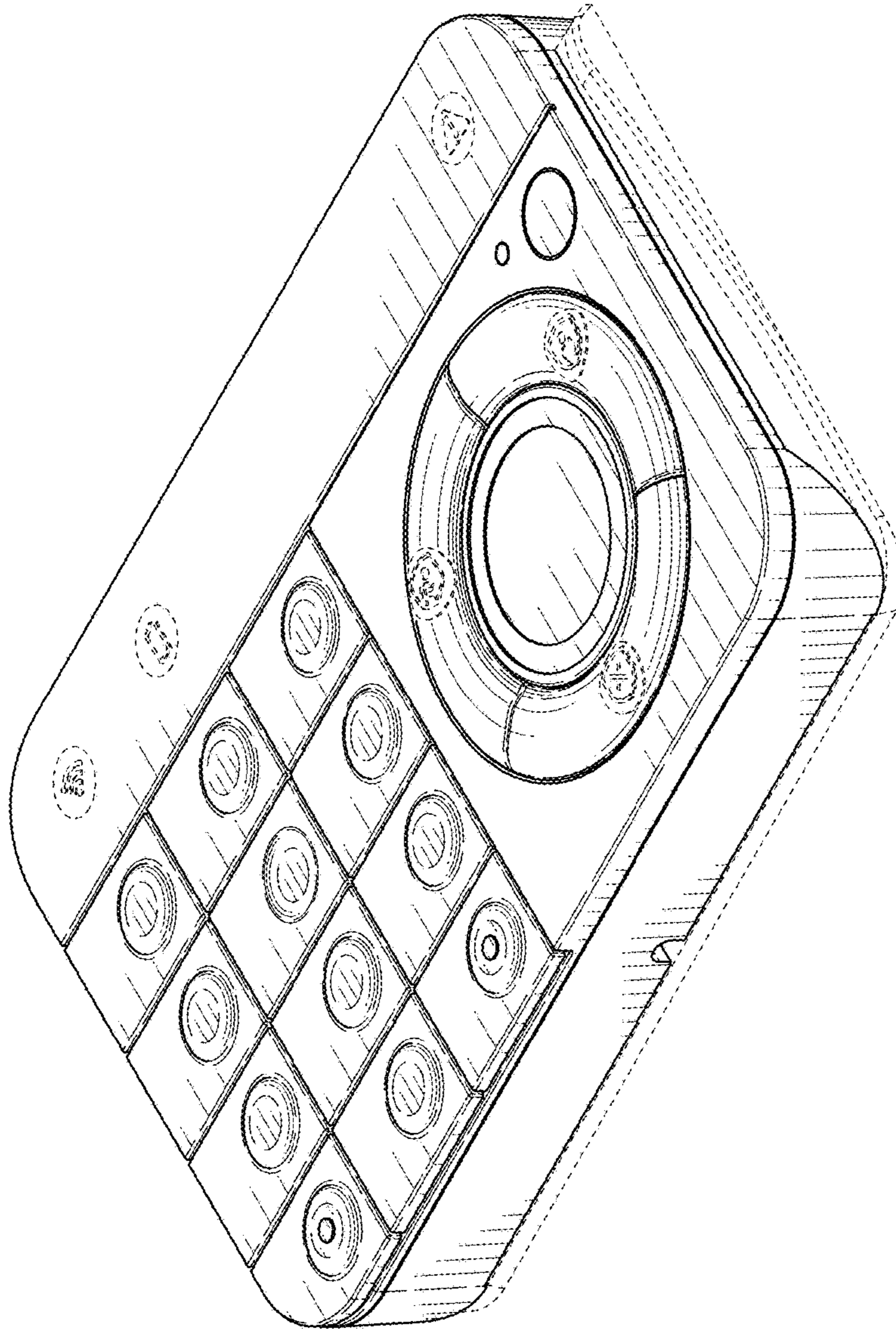


FIG. 8

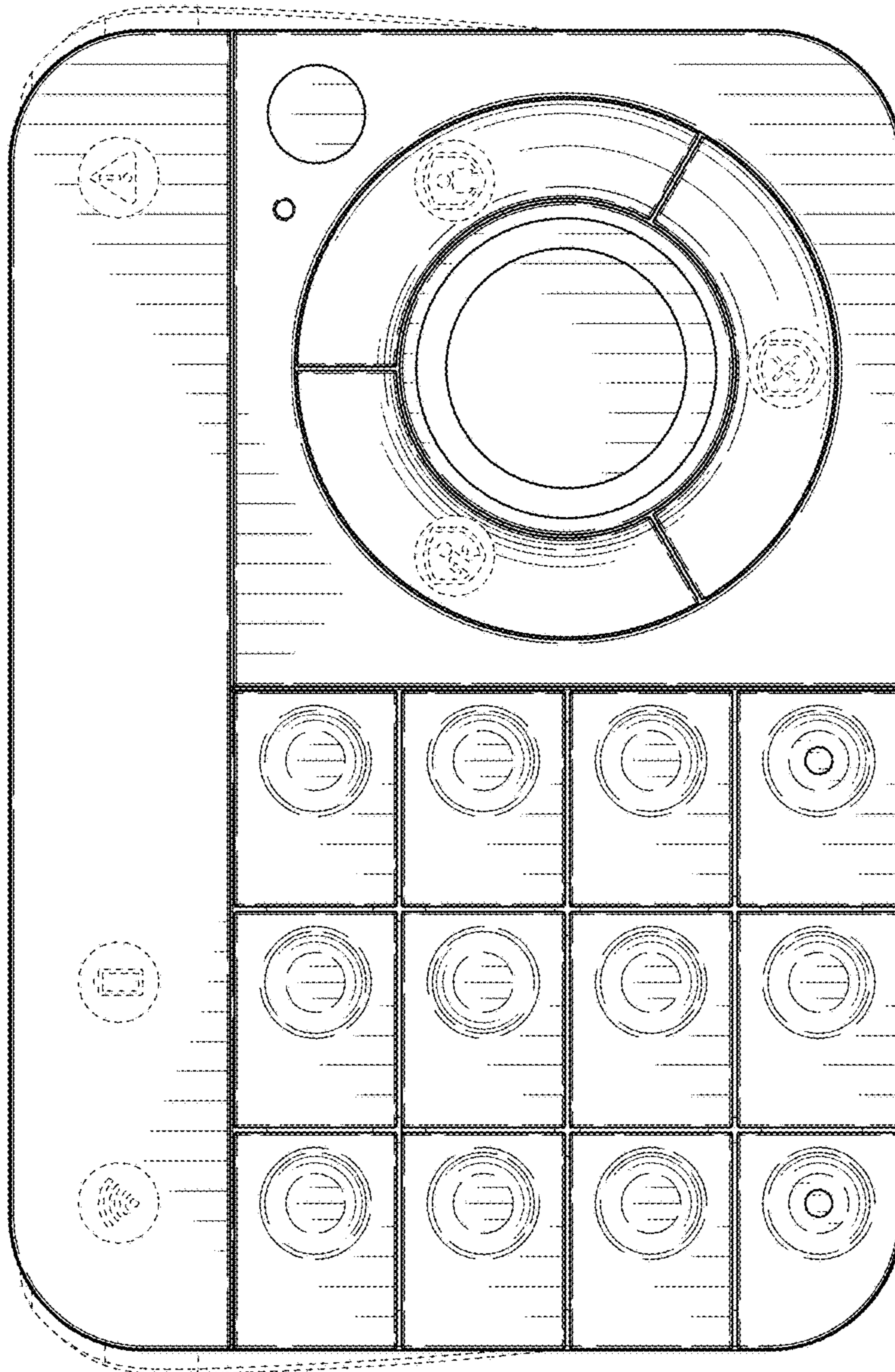


FIG. 9

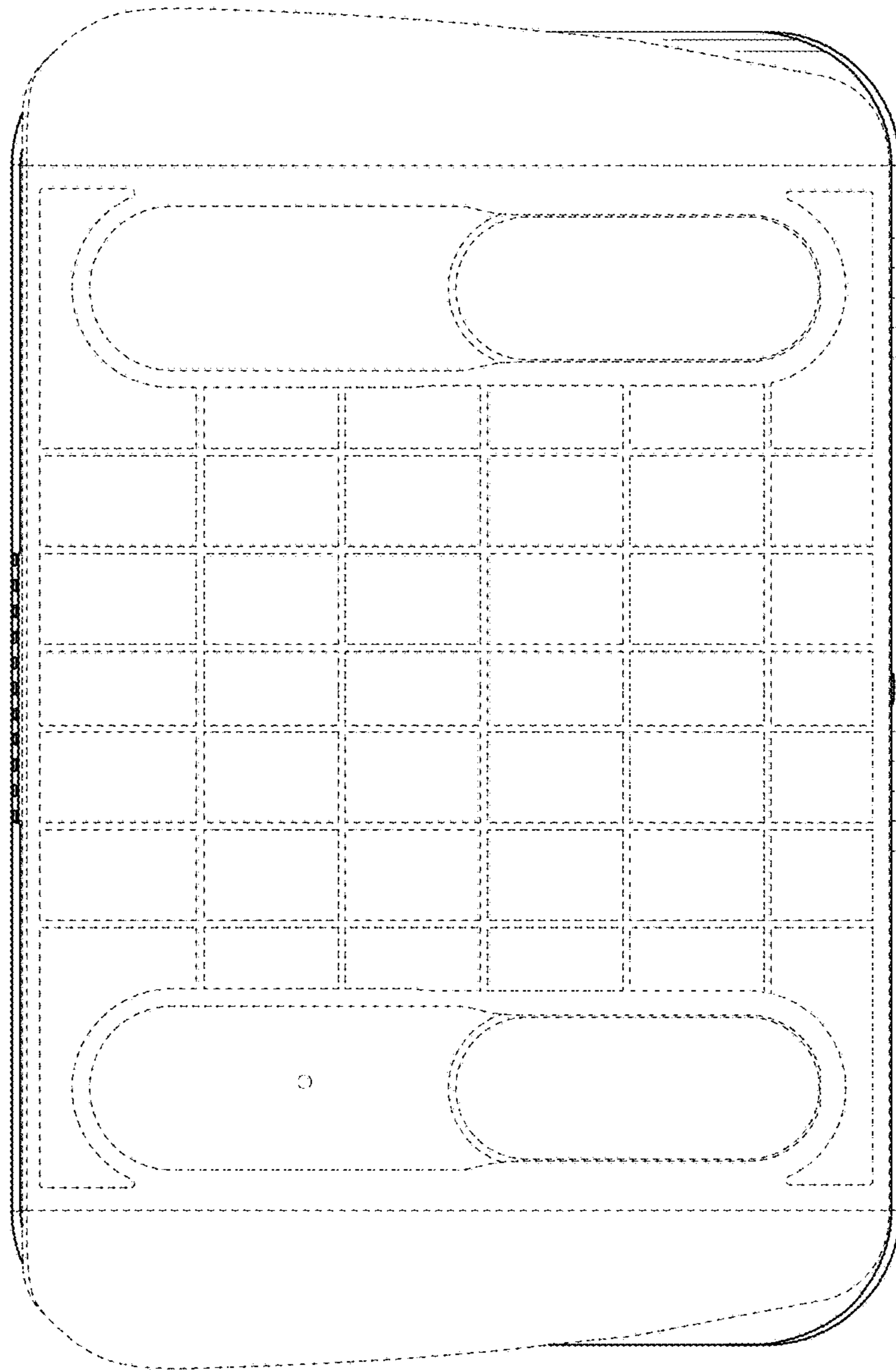


FIG. 10

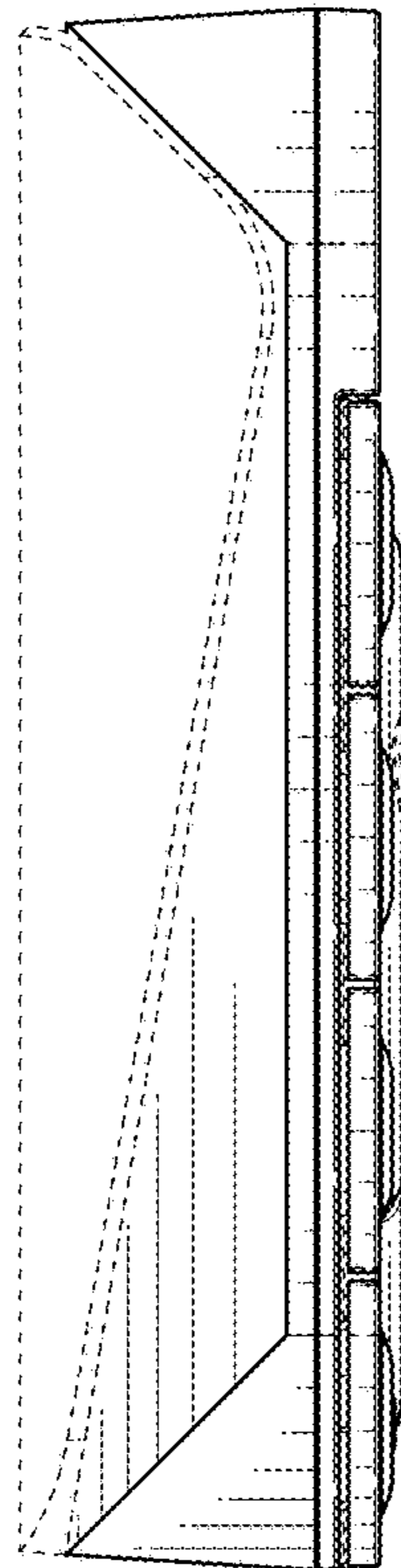


FIG. 11

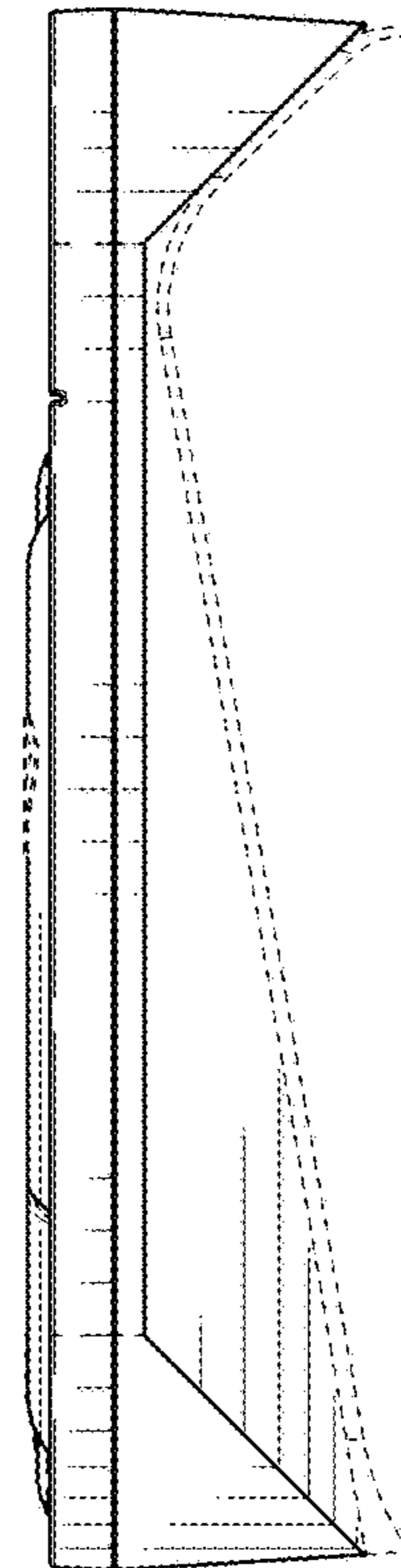


FIG. 12

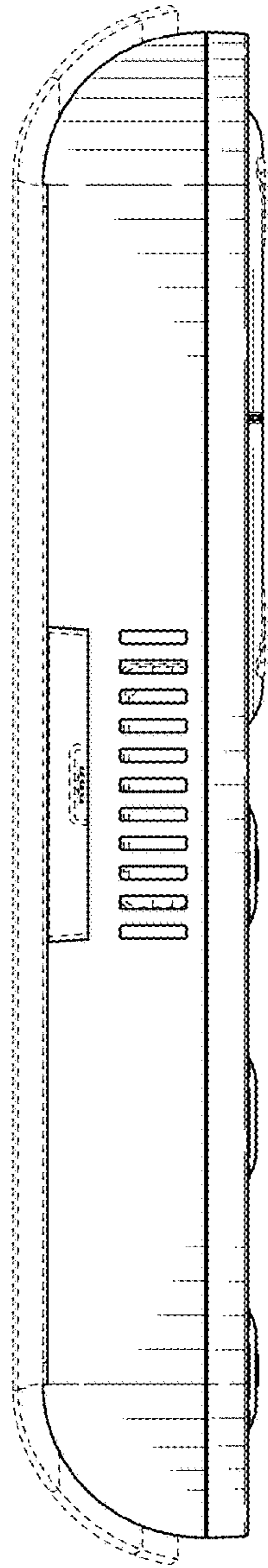


FIG. 13

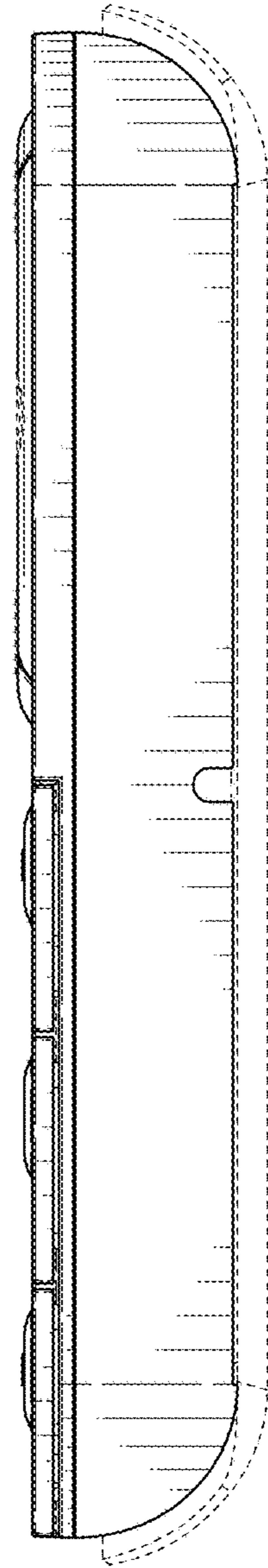


FIG. 14

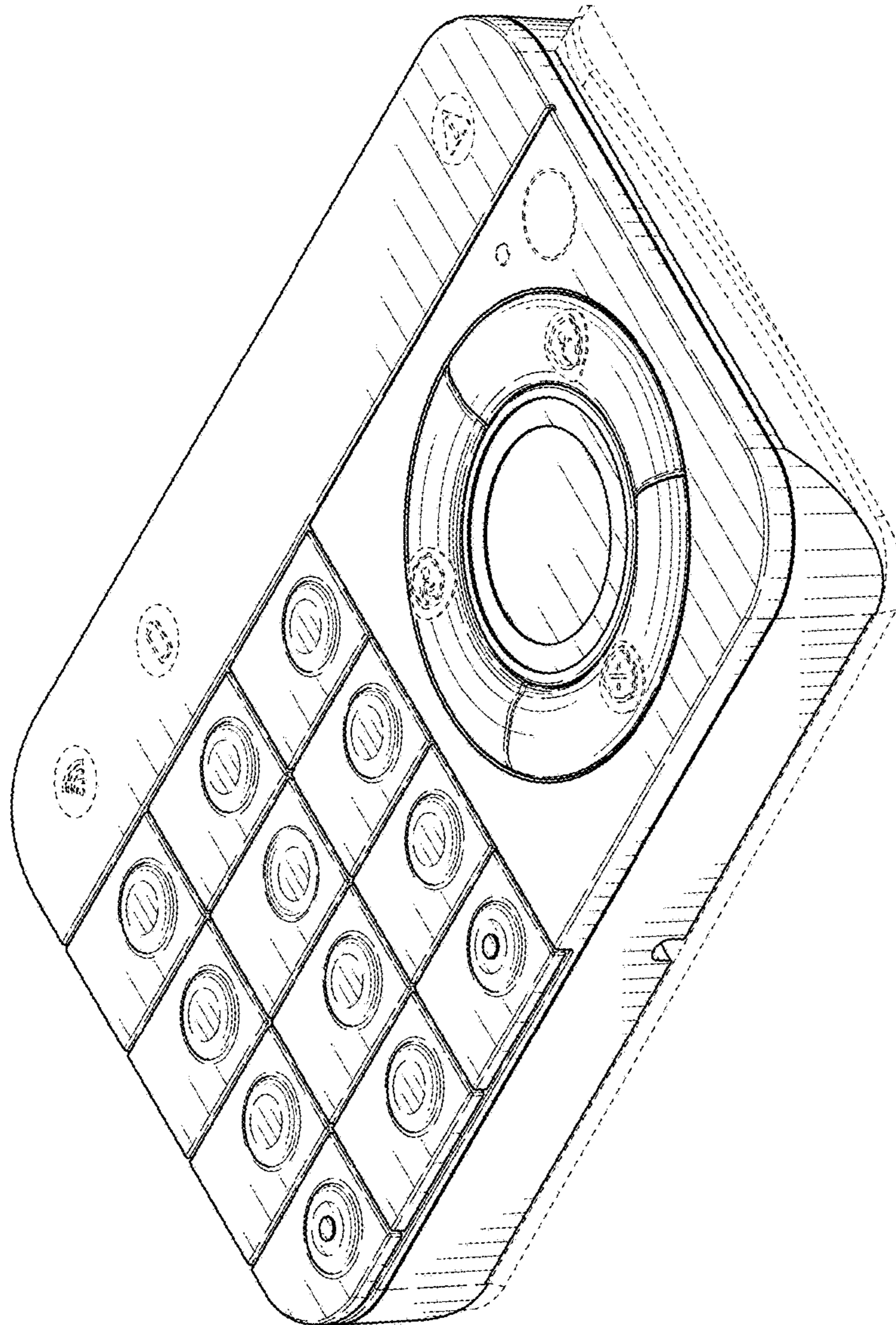


FIG. 15

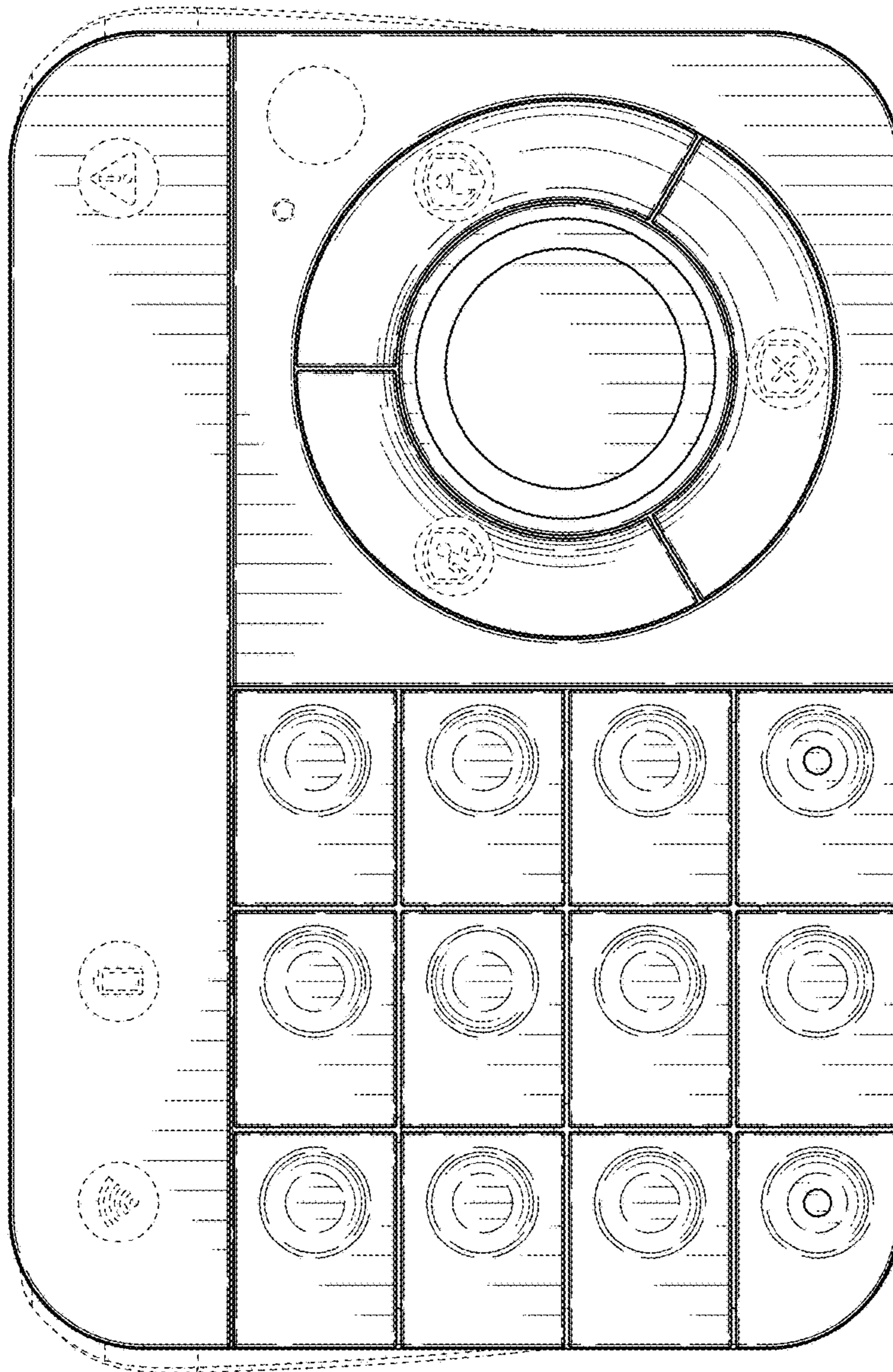


FIG. 16

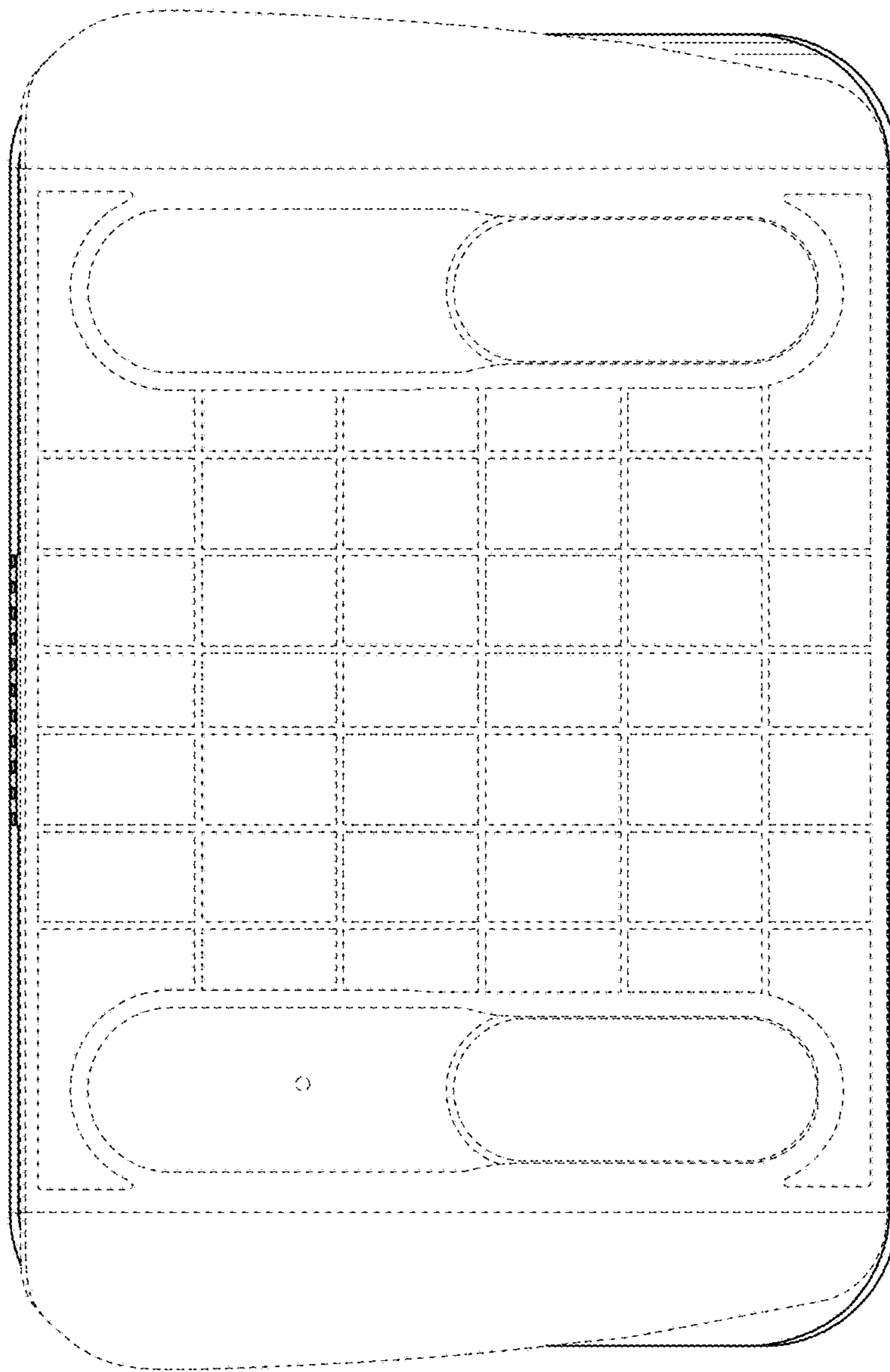


FIG. 17

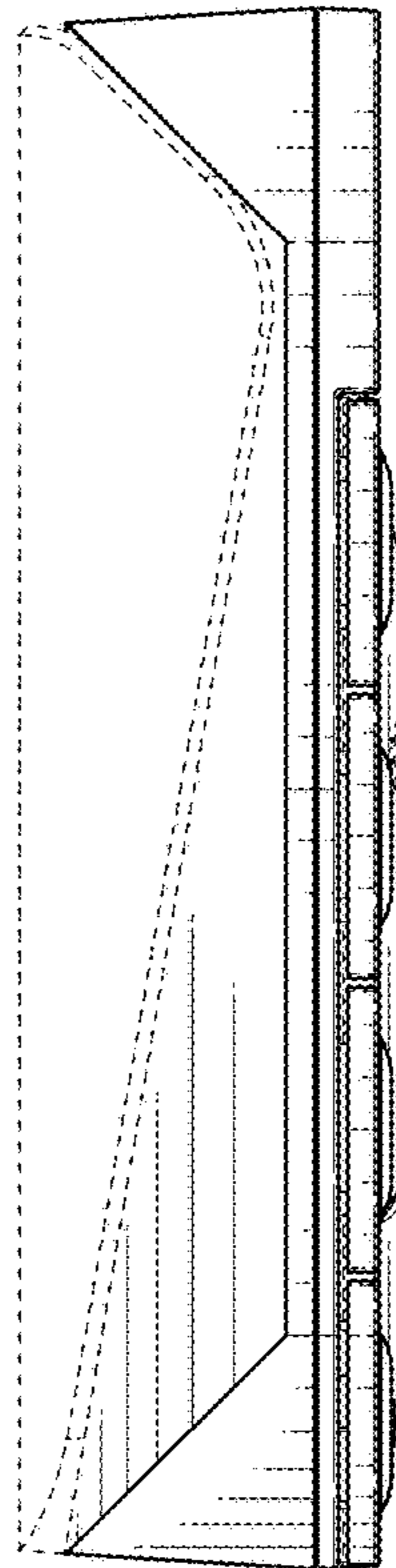


FIG. 18

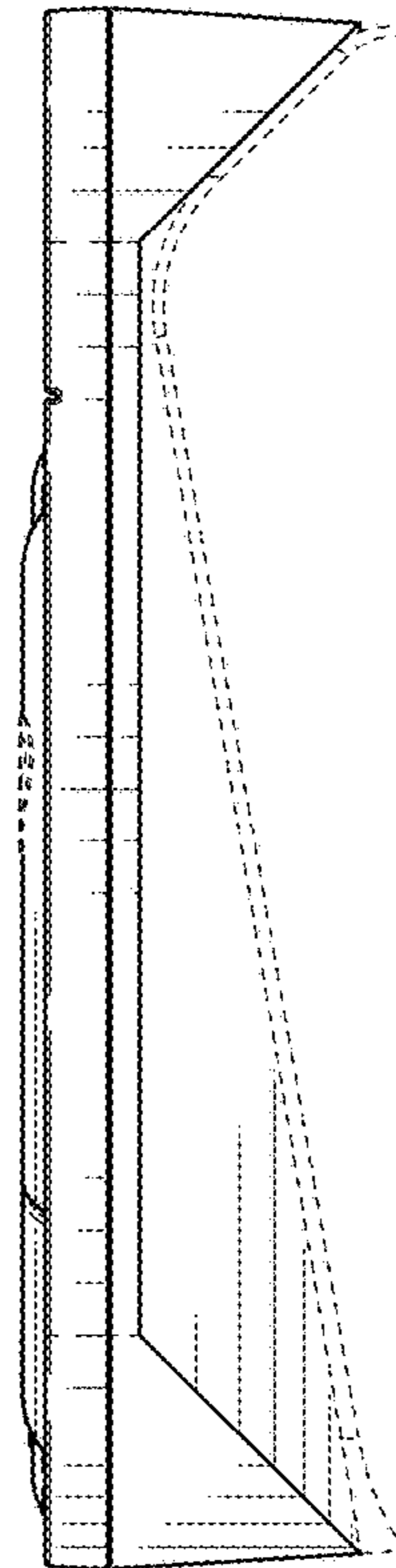


FIG. 19

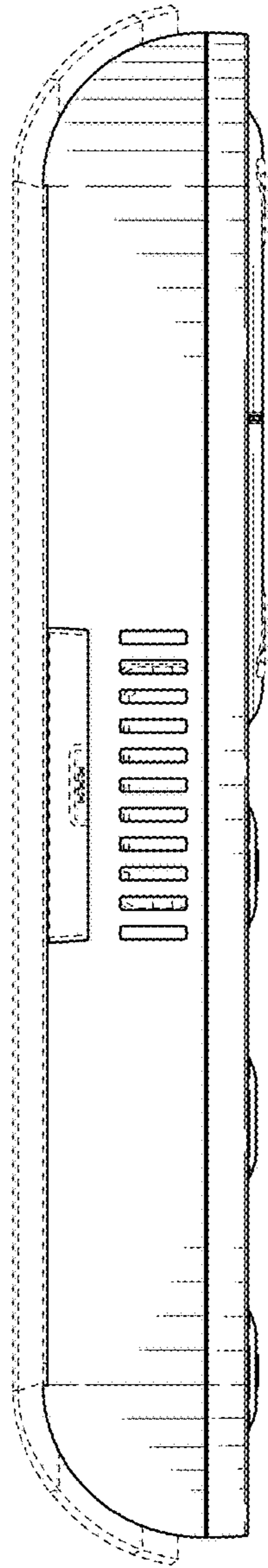


FIG. 20

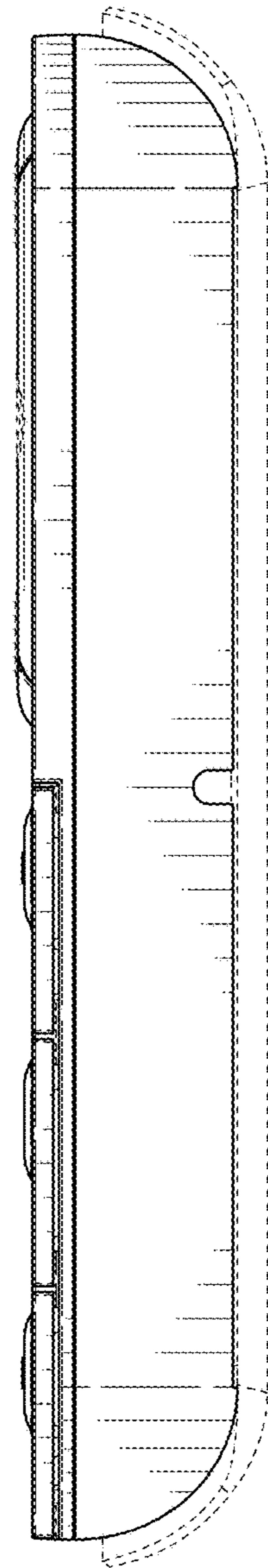


FIG. 21