



US00D858520S

(12) **United States Design Patent** (10) **Patent No.:** **US D858,520 S**
Natsume et al. (45) **Date of Patent:** **** Sep. 3, 2019**

(54) **PORTION OF AN AUGMENTED REALITY HEADSET**

(71) Applicant: **Magic Leap, Inc.**, Plantation, FL (US)

(72) Inventors: **Shigeru Natsume**, Weston, FL (US); **Bradley Fraser**, Miami Beach, FL (US); **Haney Awad**, Fort Lauderdale, FL (US); **William Wheeler**, Fort Lauderdale, FL (US); **Sebastian Gonzalo Arrieta Gunther**, Fort Lauderdale, FL (US); **Masamune Kaji**, Plantation, FL (US); **Paul Thomas Foster**, Fort Lauderdale, FL (US); **Ted Diehl**, Coral Springs, FL (US); **Michael John Slipy**, Oakland Park, FL (US)

(73) Assignee: **Magic Leap, Inc.**, Plantation, FL (US)

(**) Term: **15 Years**

(21) Appl. No.: **29/654,957**

(22) Filed: **Jun. 28, 2018**

Related U.S. Application Data

(63) Continuation of application No. 29/654,814, filed on Jun. 27, 2018.

(51) **LOC (12) Cl.** **14-02**

(52) **U.S. Cl.**
USPC **D14/372**

(58) **Field of Classification Search**
USPC D14/372, 496, 432, 371, 125, 126, 129, D14/299; D16/300-342; 351/158, 153,
(Continued)

(56) **References Cited**

U.S. PATENT DOCUMENTS

6,850,221 B1 2/2005 Tickle
D563,480 S 3/2008 Blaseflug et al.
(Continued)

OTHER PUBLICATIONS

Design U.S. Appl. No. 29/654,814 to Natsume et al., filed Jun. 27, 2018.

(Continued)

Primary Examiner — Austin Murphy
(74) *Attorney, Agent, or Firm* — Knobbe, Martens, Olson & Bear, LLP

(57) **CLAIM**

The ornamental design for a portion of an augmented reality headset, as shown and described.

DESCRIPTION

FIG. 1 is a front-right perspective view of a closed configuration of a portion of an augmented reality headset showing our design;
FIG. 2 is a front-left perspective view of the design of FIG. 1;
FIG. 3 is a back-right perspective view of the design of FIG. 1;
FIG. 4 is a back-left perspective view of the design of FIG. 1;
FIG. 5 is a front view of the design of FIG. 1;
FIG. 6 is a back view of the design of FIG. 1;
FIG. 7 is a right view of the design of FIG. 1;
FIG. 8 is a left view of the design of FIG. 1;
FIG. 9 is a top view of the design of FIG. 1;
FIG. 10 is a bottom view of the design of FIG. 1;
FIG. 11 is a front-right perspective view of an open configuration of a portion of an augmented reality headset showing our design;
FIG. 12 is a front-left perspective view of the design of FIG. 11;
FIG. 13 is a back-right perspective view of the design of FIG. 11;
FIG. 14 is a back-left perspective view of the design of FIG. 11;
FIG. 15 is a front view of the design of FIG. 11;
FIG. 16 is a back view of the design of FIG. 11;
FIG. 17 is a right view of the design of FIG. 11;
FIG. 18 is a left view of the design of FIG. 11;

(Continued)

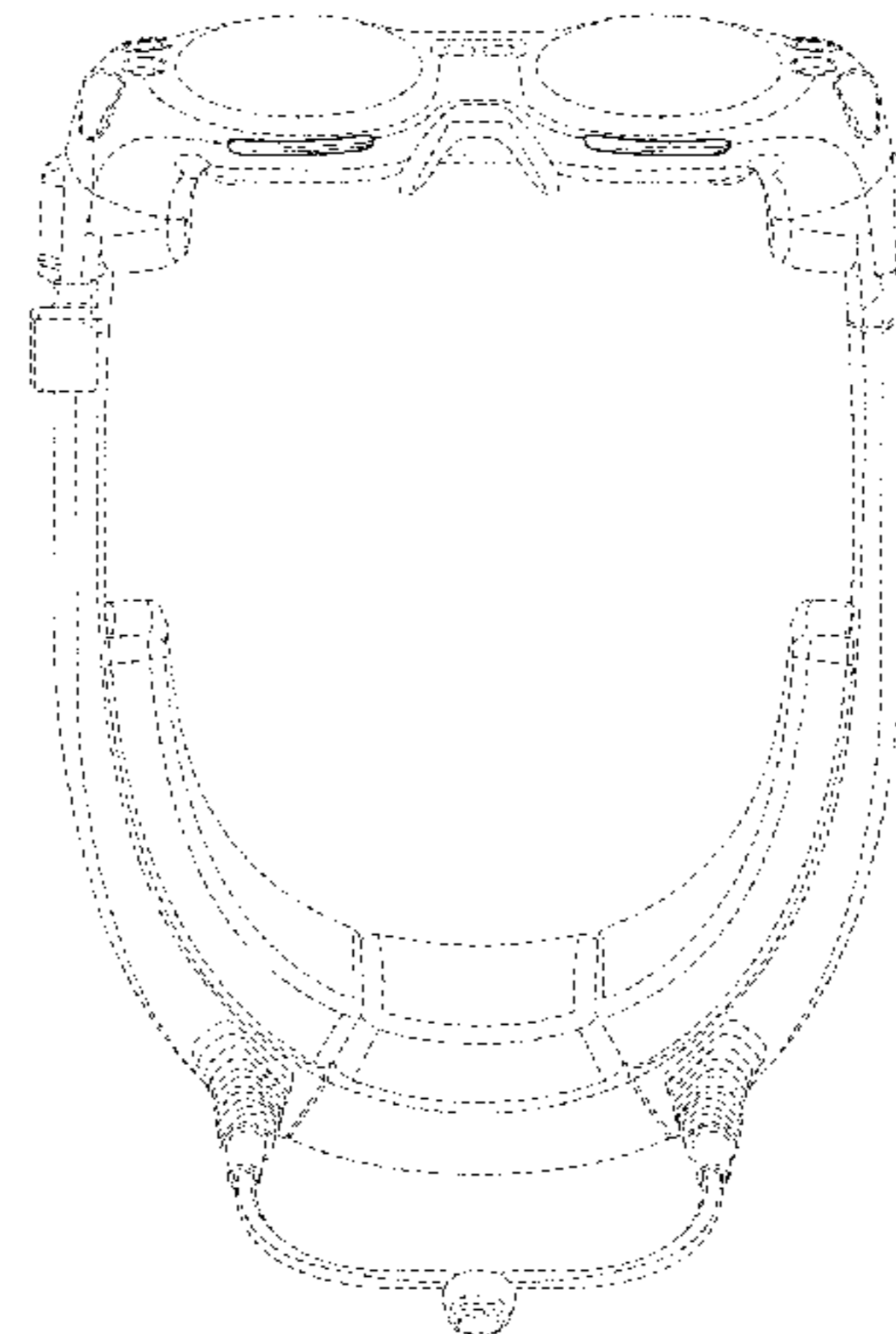
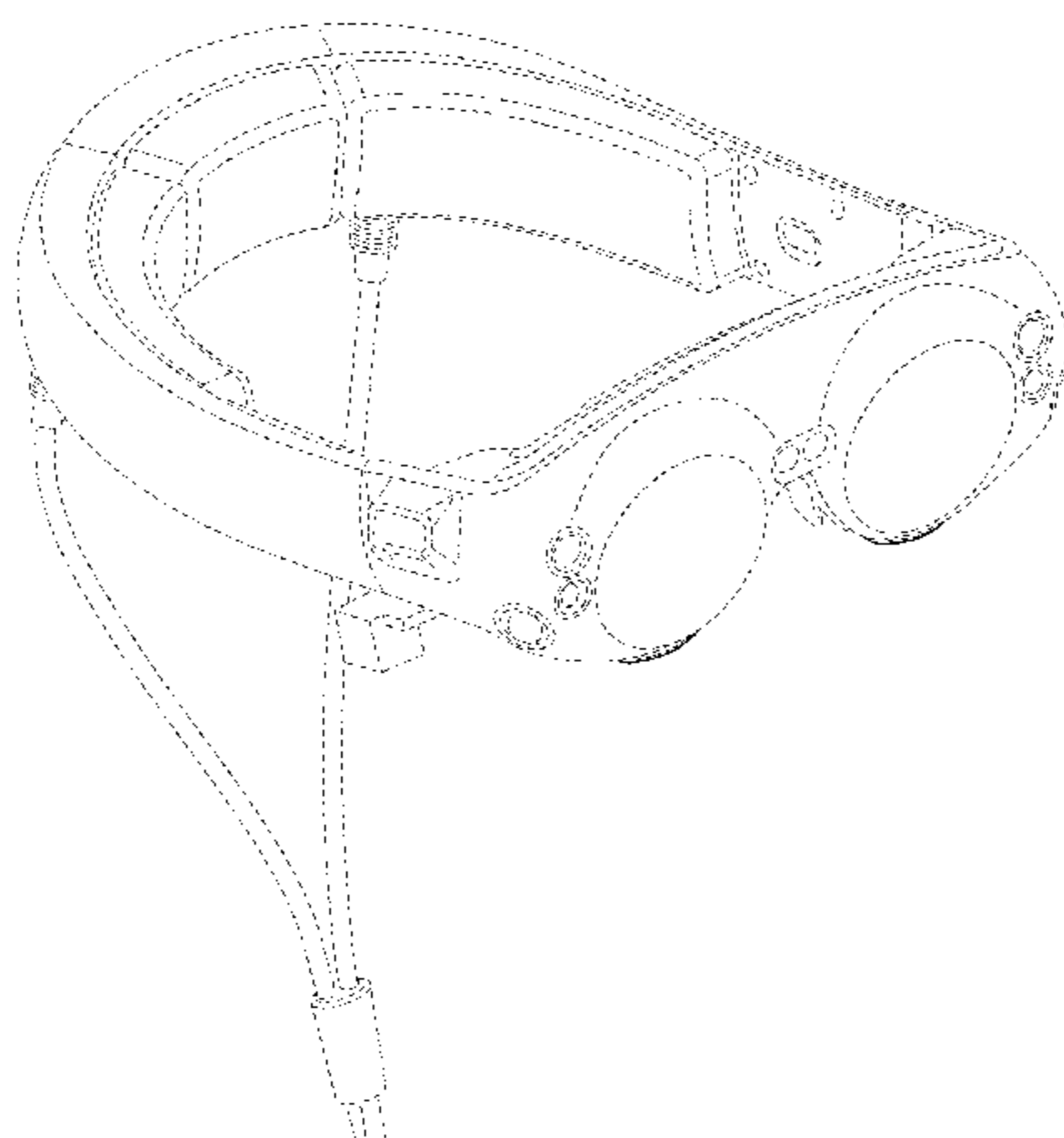


FIG. 19 is a top view of the design of FIG. 11; and, FIG. 20 is a bottom view of the design of FIG. 11. The broken lines in FIGS. 1-20 depicting various removable optional components of an augmented reality headset are included for illustrating environmental structure and form no part of the claimed design. The closed configuration illustrated in FIGS. 1-10 shows the augmented reality headset as intended to be worn on the head of a user, and the open configuration illustrated in FIGS. 11-20 shows the augmented reality headset as intended to be opened up in preparation for being placed onto the head of the user.

1 Claim, 20 Drawing Sheets

(58) **Field of Classification Search**

USPC 351/144; 455/344; 345/7-9, 905;
348/115, 53, 121, 739
CPC G02B 27/017; G02B 27/0158; G02B
27/0161; G02B 27/0181; G02B 27/0185;
G02B 27/0189
See application file for complete search history.

(56) **References Cited**

U.S. PATENT DOCUMENTS

D567,243 S	4/2008	Ashida
D587,713 S	3/2009	Sutton
D589,515 S	3/2009	Brunner et al.
D594,066 S	6/2009	Oikawa et al.
D611,477 S	3/2010	Brunner et al.
D638,841 S	5/2011	Musick, Jr.
D658,184 S	4/2012	Chang et al.
8,523,675 B2	9/2013	Young et al.
D698,358 S	1/2014	Beams
D710,427 S	8/2014	Kim
D716,807 S	11/2014	Yeom et al.
D716,808 S	11/2014	Yeom et al.
D719,567 S	12/2014	Kim et al.
D719,952 S	12/2014	Kim et al.
8,950,867 B2	2/2015	Macnamara

D732,024 S	6/2015	Heinrich et al.	
D732,025 S	6/2015	Heinrich et al.	
9,081,426 B2	7/2015	Armstrong	
D738,420 S	9/2015	Lee et al.	
D740,369 S	10/2015	Cho et al.	
D740,814 S	10/2015	Bosveld et al.	
9,215,293 B2	12/2015	Miller	
D746,818 S	1/2016	Cho et al.	
D751,551 S	3/2016	Ho et al.	
D753,211 S	4/2016	Di Chiara	
D754,782 S	4/2016	Kokinakis et al.	
D759,015 S	6/2016	Mehin et al.	
D763,359 S	8/2016	Kwong et al.	
D765,075 S	8/2016	Rochat et al.	
D765,076 S	8/2016	Rochat et al.	
D766,895 S	9/2016	Choi	
D768,627 S	10/2016	Rochat et al.	
D768,628 S	10/2016	Choi et al.	
D769,242 S	10/2016	Kymm et al.	
D777,242 S	1/2017	Seo et al.	
D792,400 S	7/2017	Osterhout	
D795,952 S	8/2017	Natsume	
D796,503 S	* 9/2017	Natsume	D14/372
D796,504 S	* 9/2017	Natsume	D14/372
D796,505 S	* 9/2017	Natsume	D14/372
D796,506 S	* 9/2017	Natsume	D14/372
D797,733 S	* 9/2017	Lee	D14/372
D797,735 S	* 9/2017	Fraser	D14/372
D797,743 S	9/2017	Awad et al.	
D800,727 S	10/2017	Mullins et al.	
D802,048 S	11/2017	Lundberg	
D815,092 S	4/2018	Liao	
D820,258 S	6/2018	Maw et al.	
D824,905 S	8/2018	Yamada et al.	
D836,107 S	* 12/2018	Natsume	D14/372
D836,109 S	* 12/2018	Natsume	D14/372
D836,630 S	* 12/2018	Natsume	D14/372
D836,631 S	* 12/2018	Natsume	D14/372
D836,632 S	* 12/2018	Natsume	D14/372

OTHER PUBLICATIONS

Design U.S. Appl. No. 29/654,951 to Natsume et al., filed Jun. 28, 2018.
Design U.S. Appl. No. 29/621,011 to Natsume et al., filed Oct. 3, 2017.

* cited by examiner

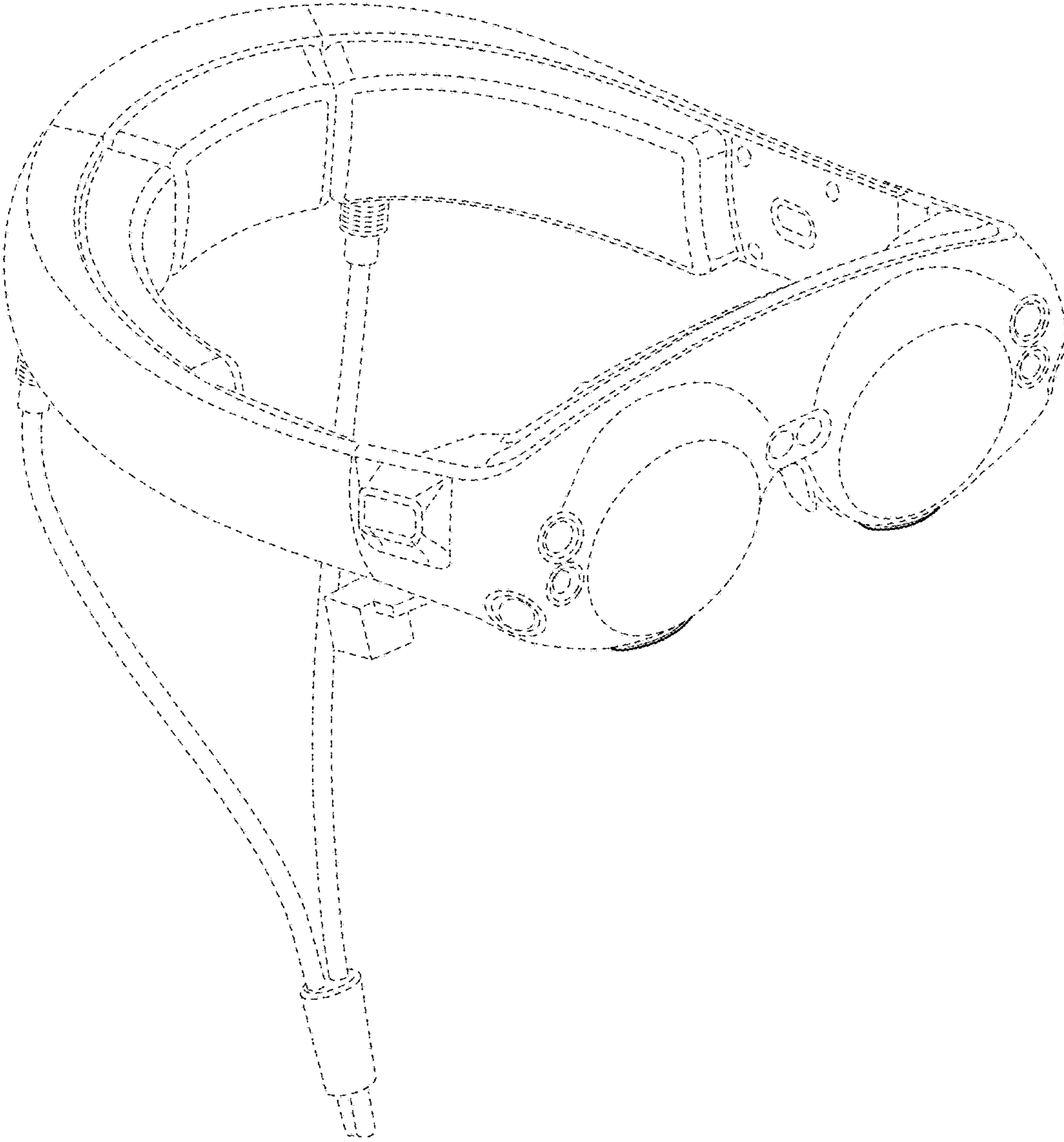


FIG. 1

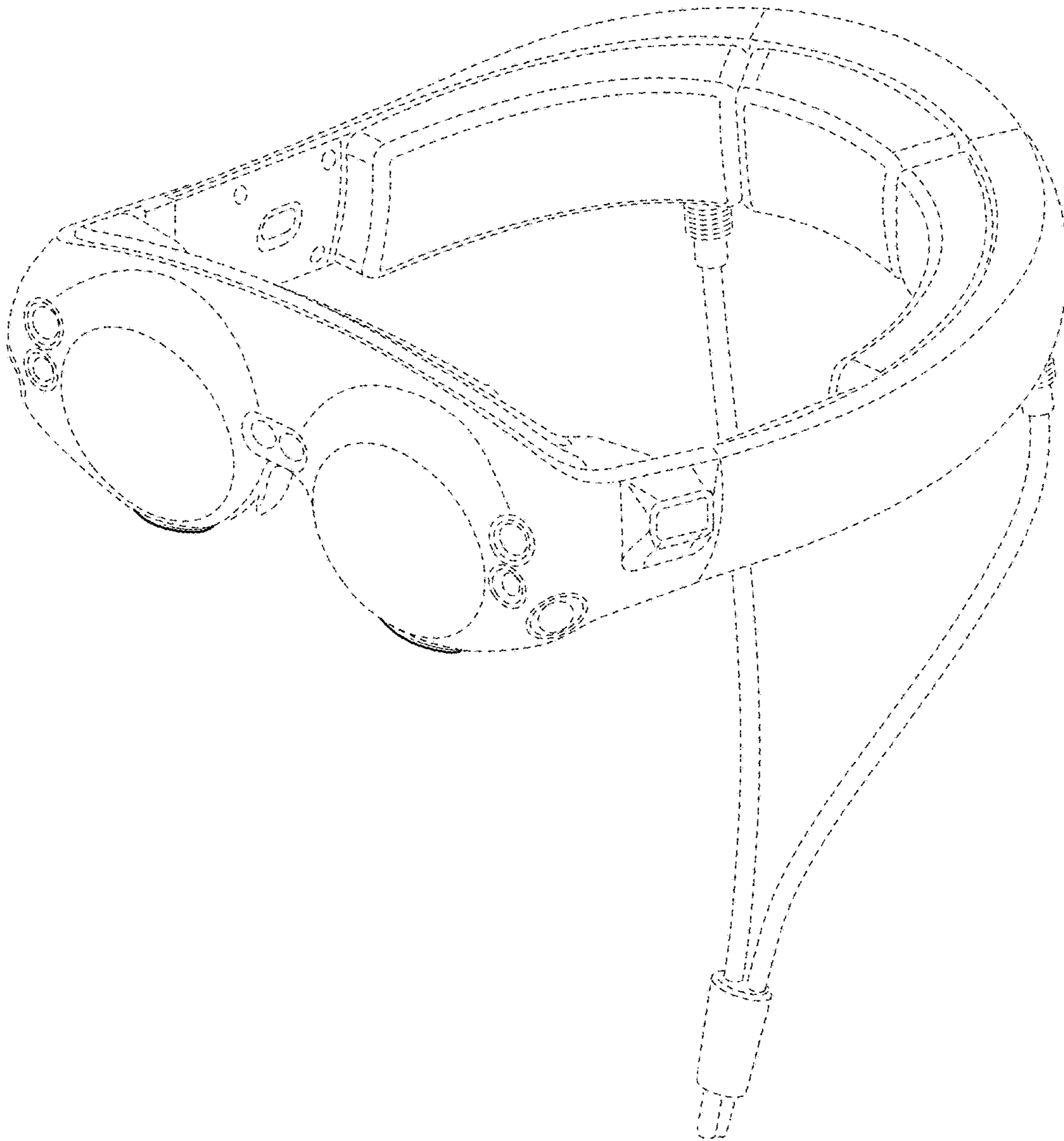


FIG. 2

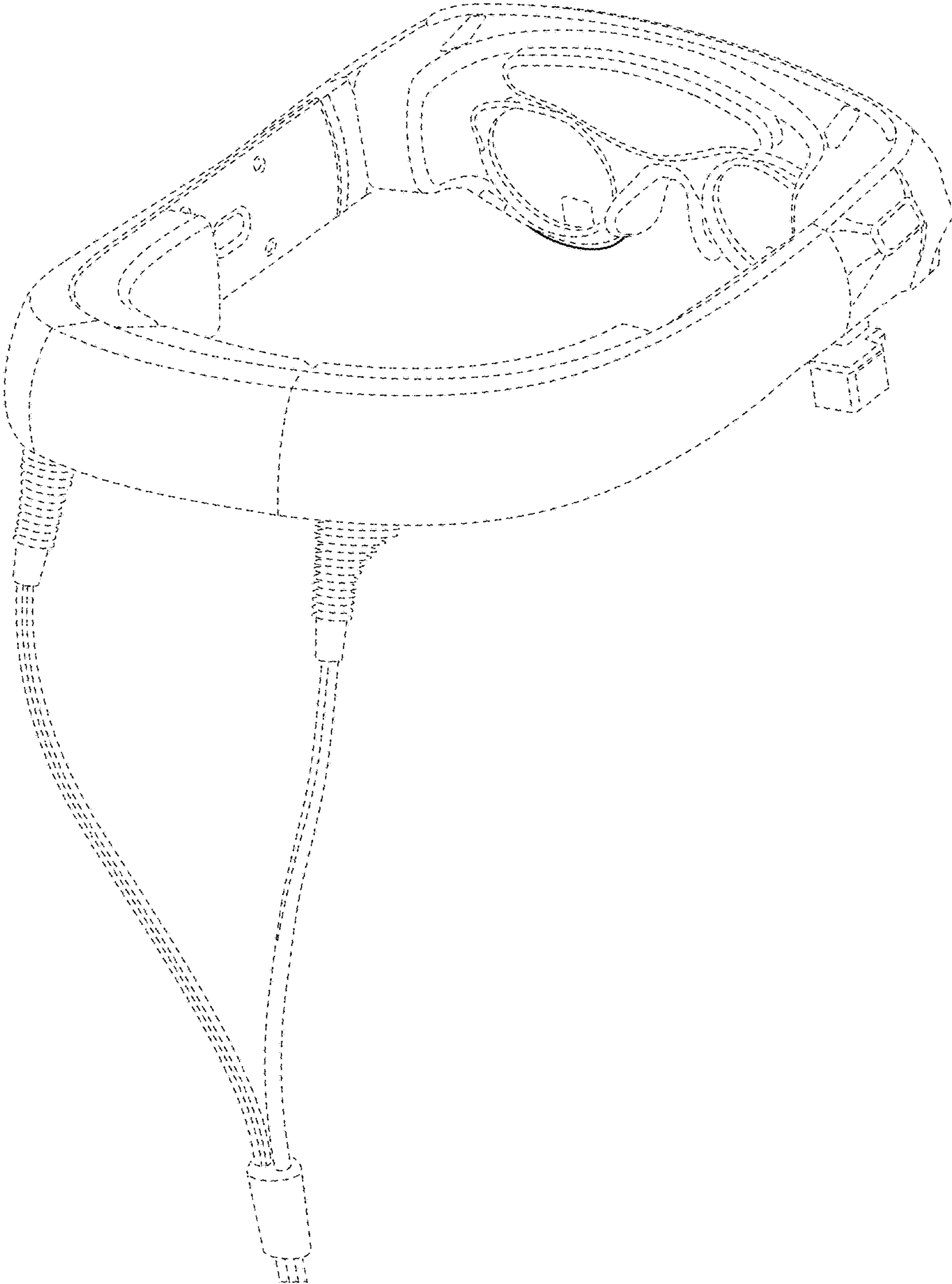


FIG. 3

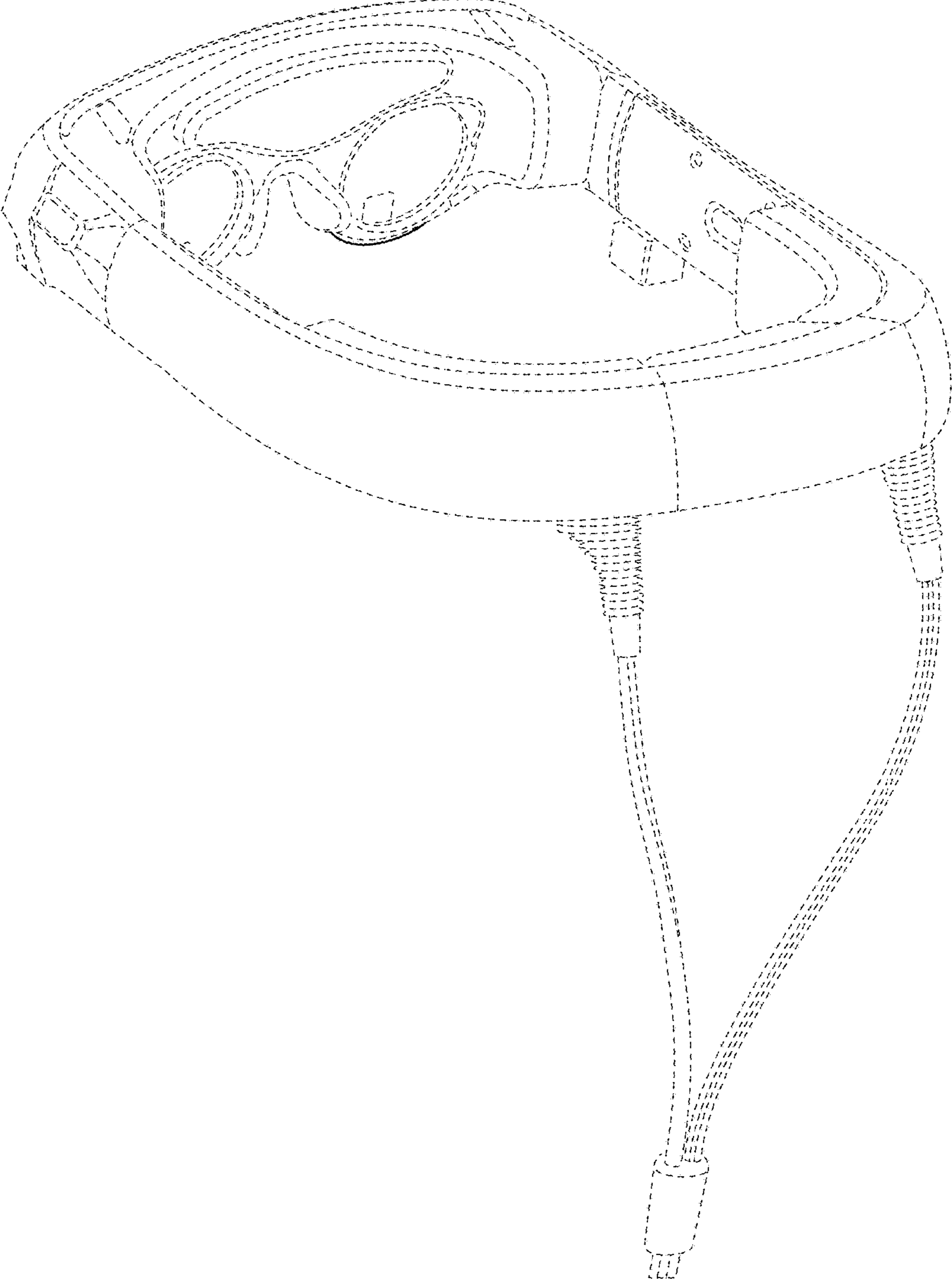


FIG. 4

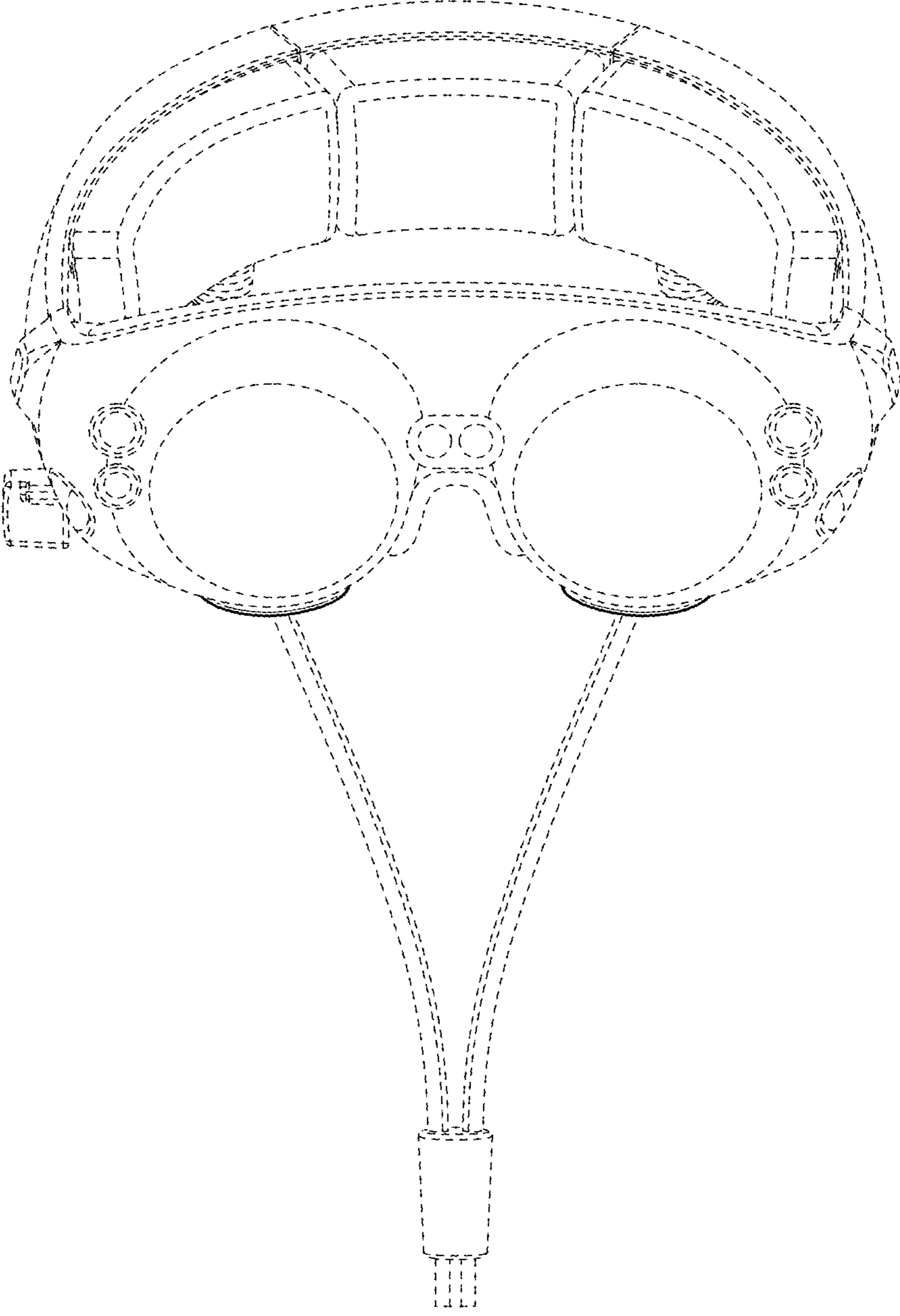


FIG. 5

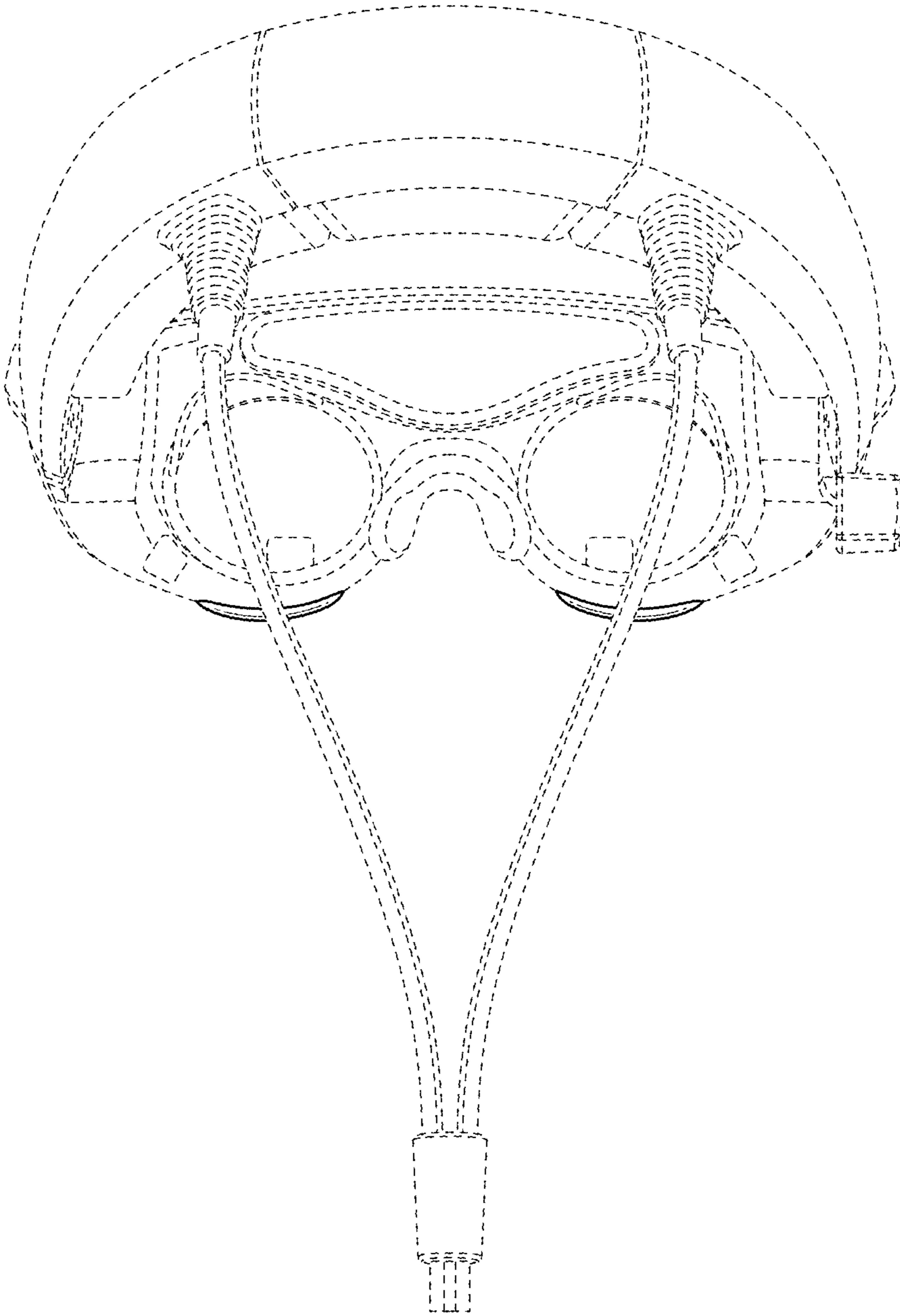


FIG. 6

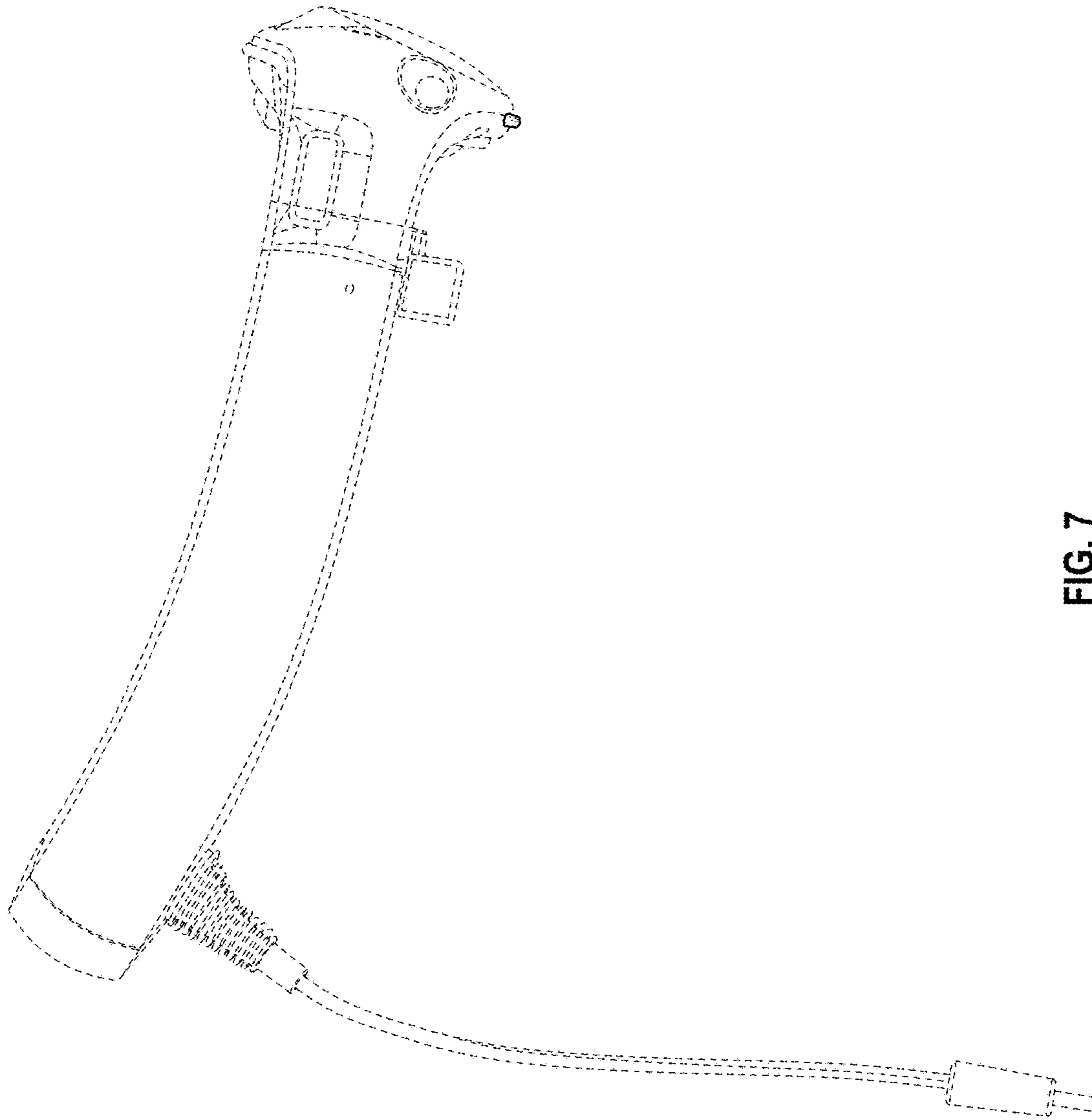


FIG. 7

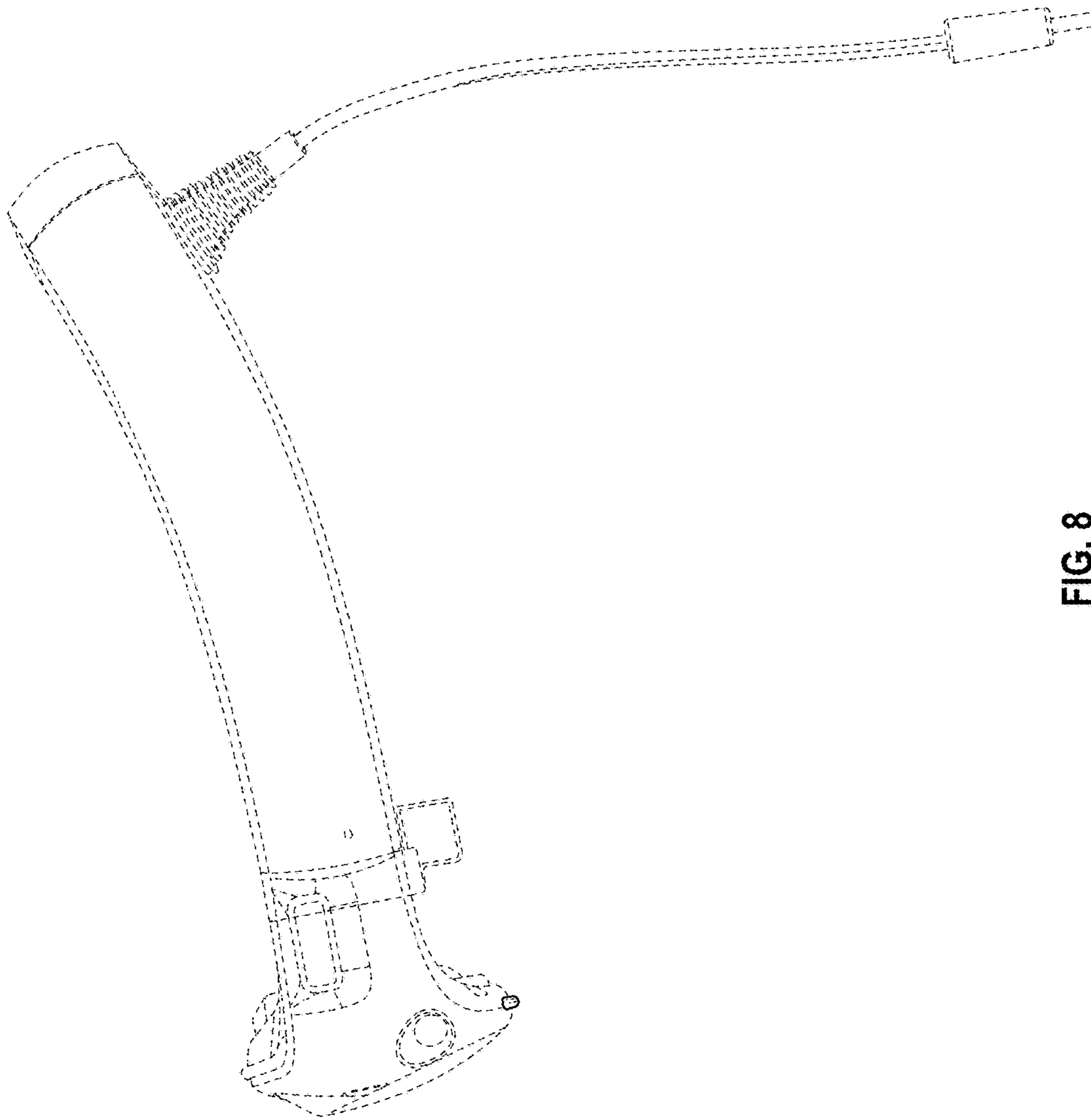


FIG. 8

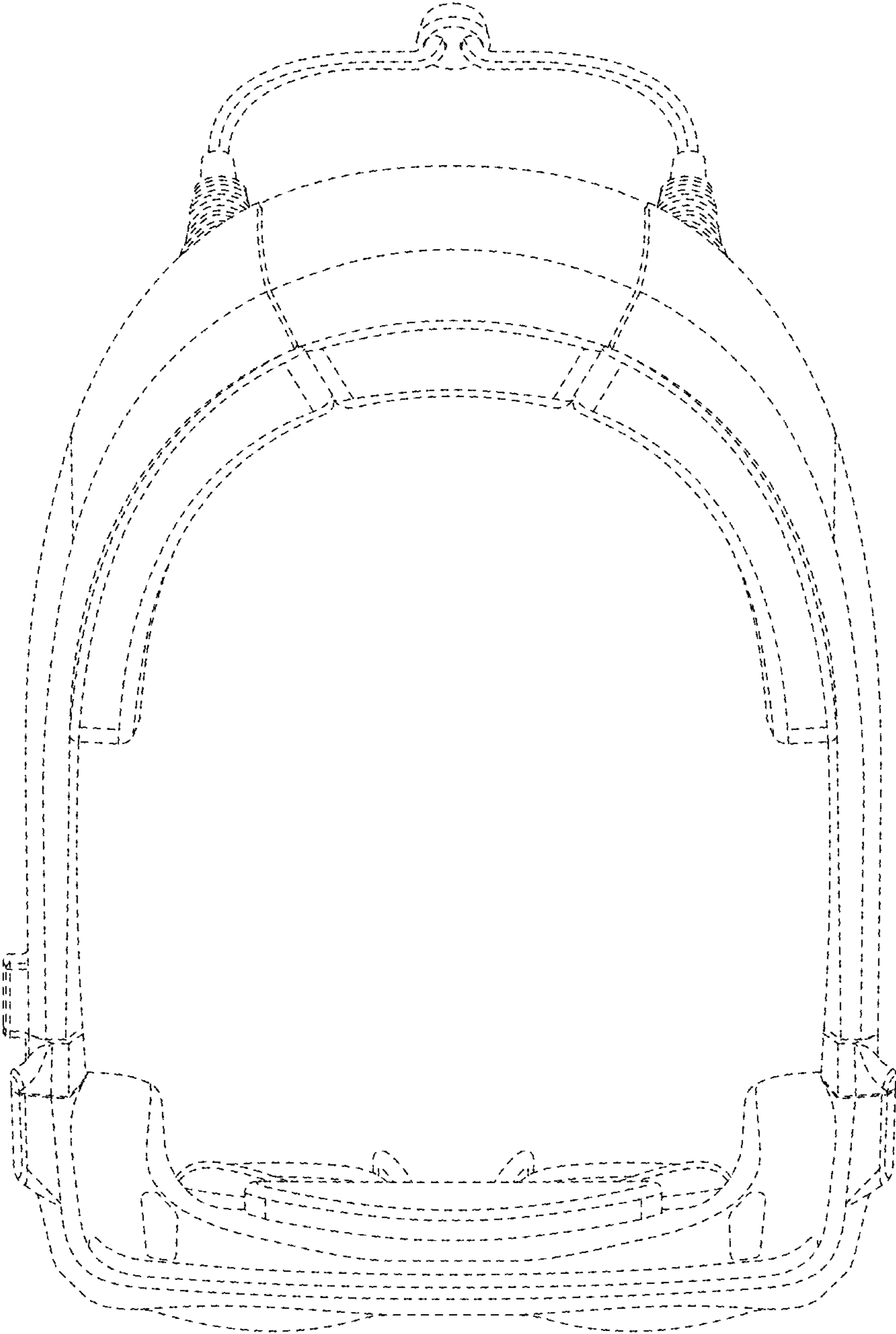


FIG. 9

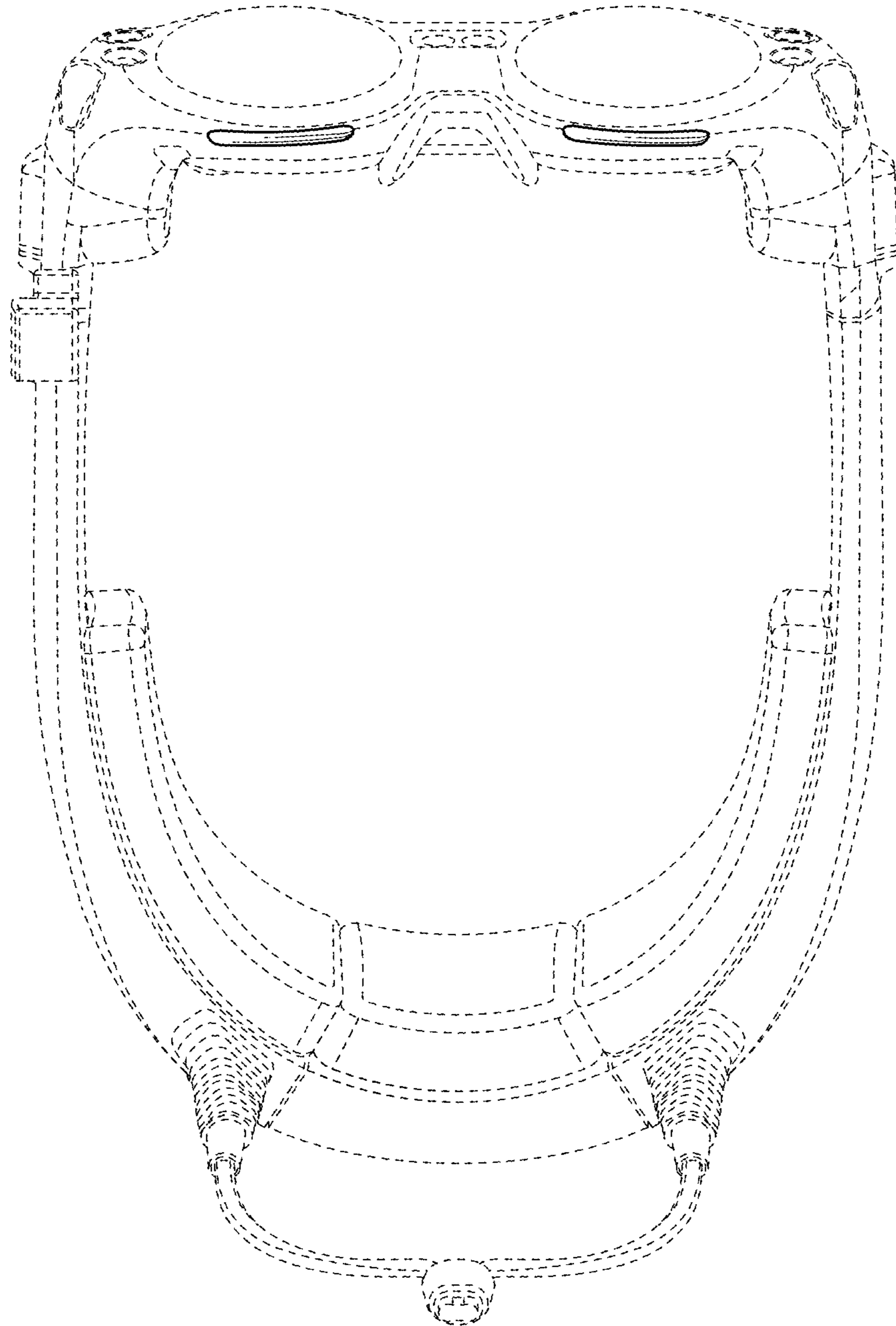


FIG. 10

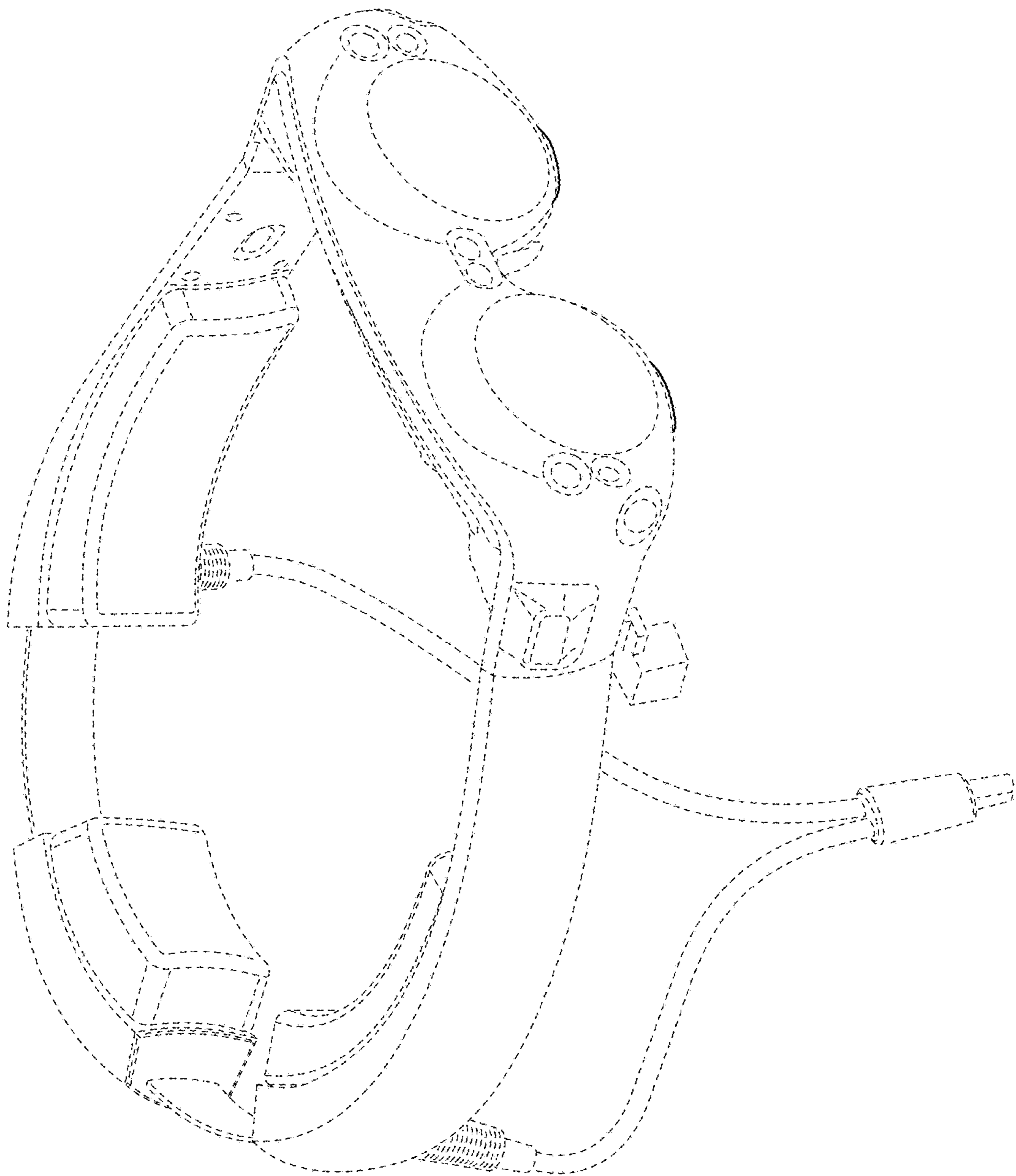


FIG. 11

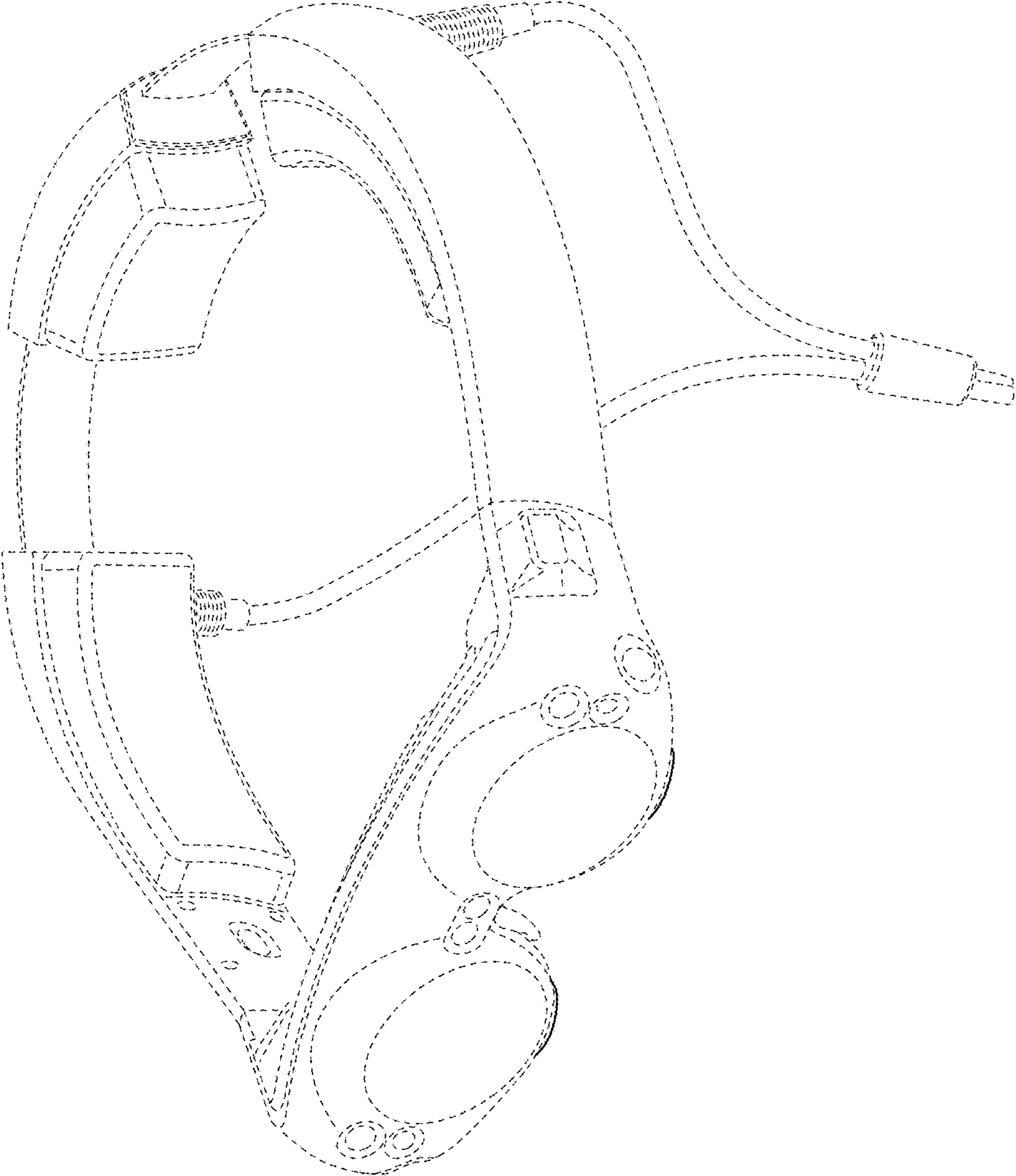


FIG. 12

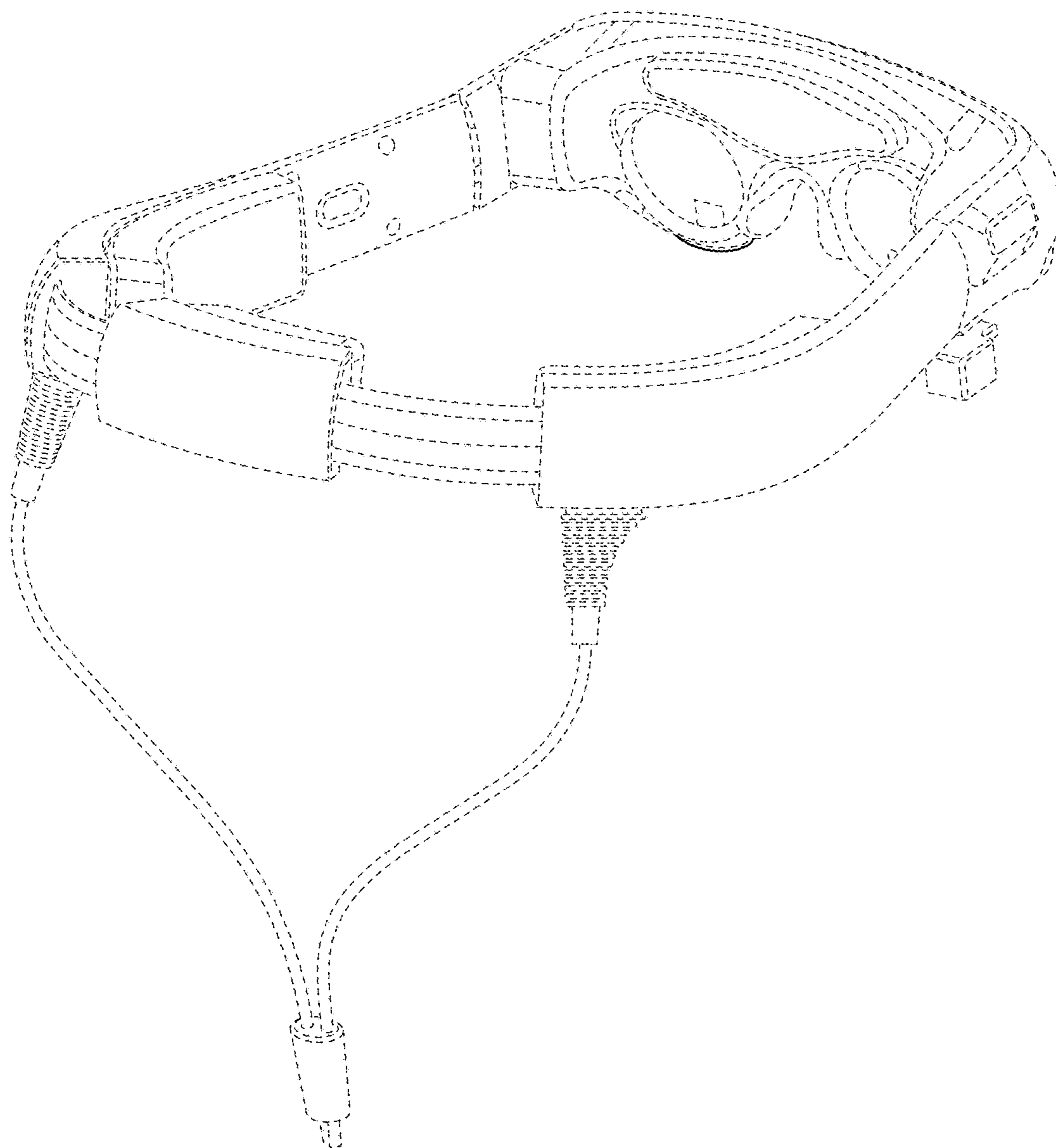


FIG. 13

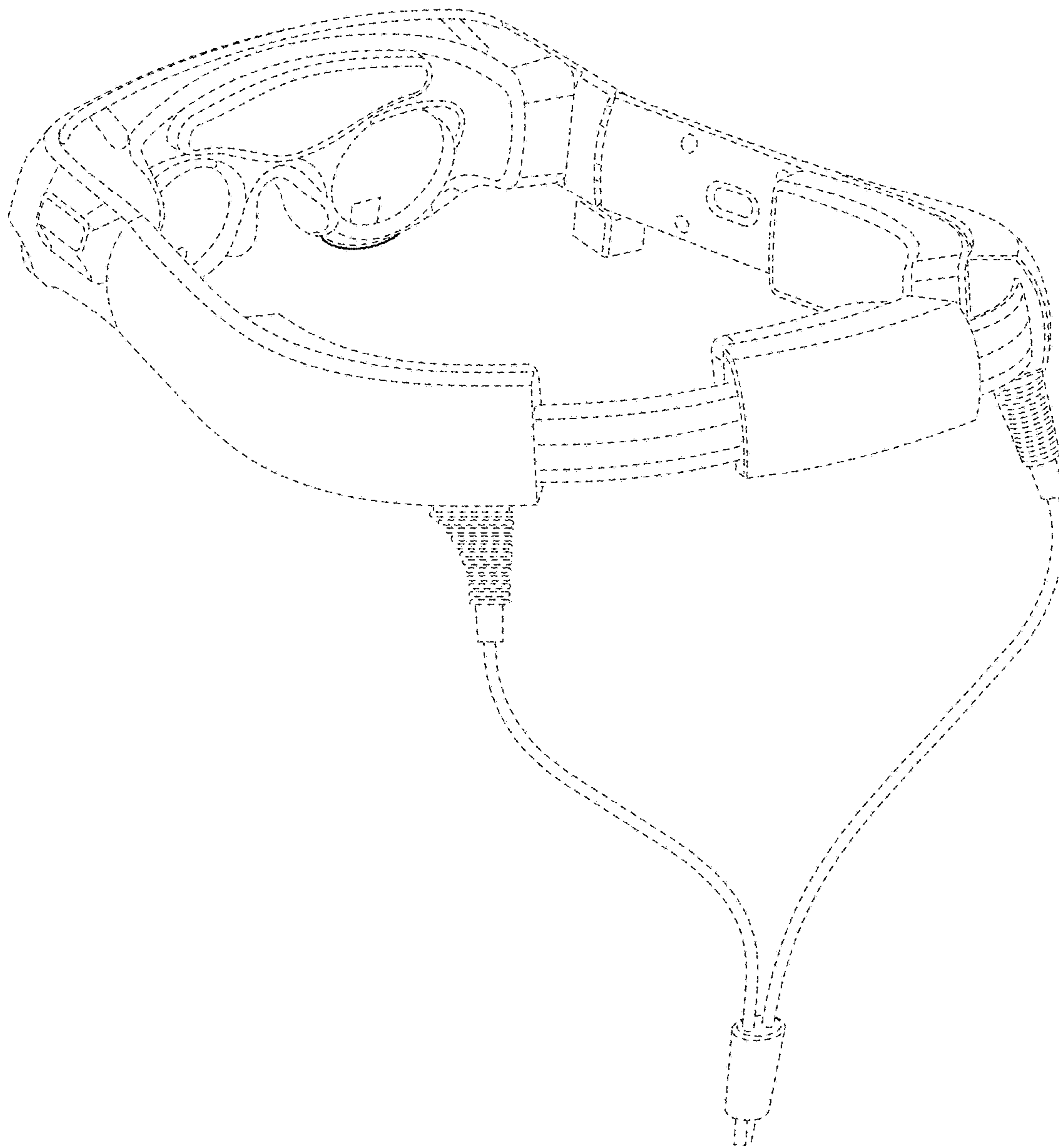


FIG. 14

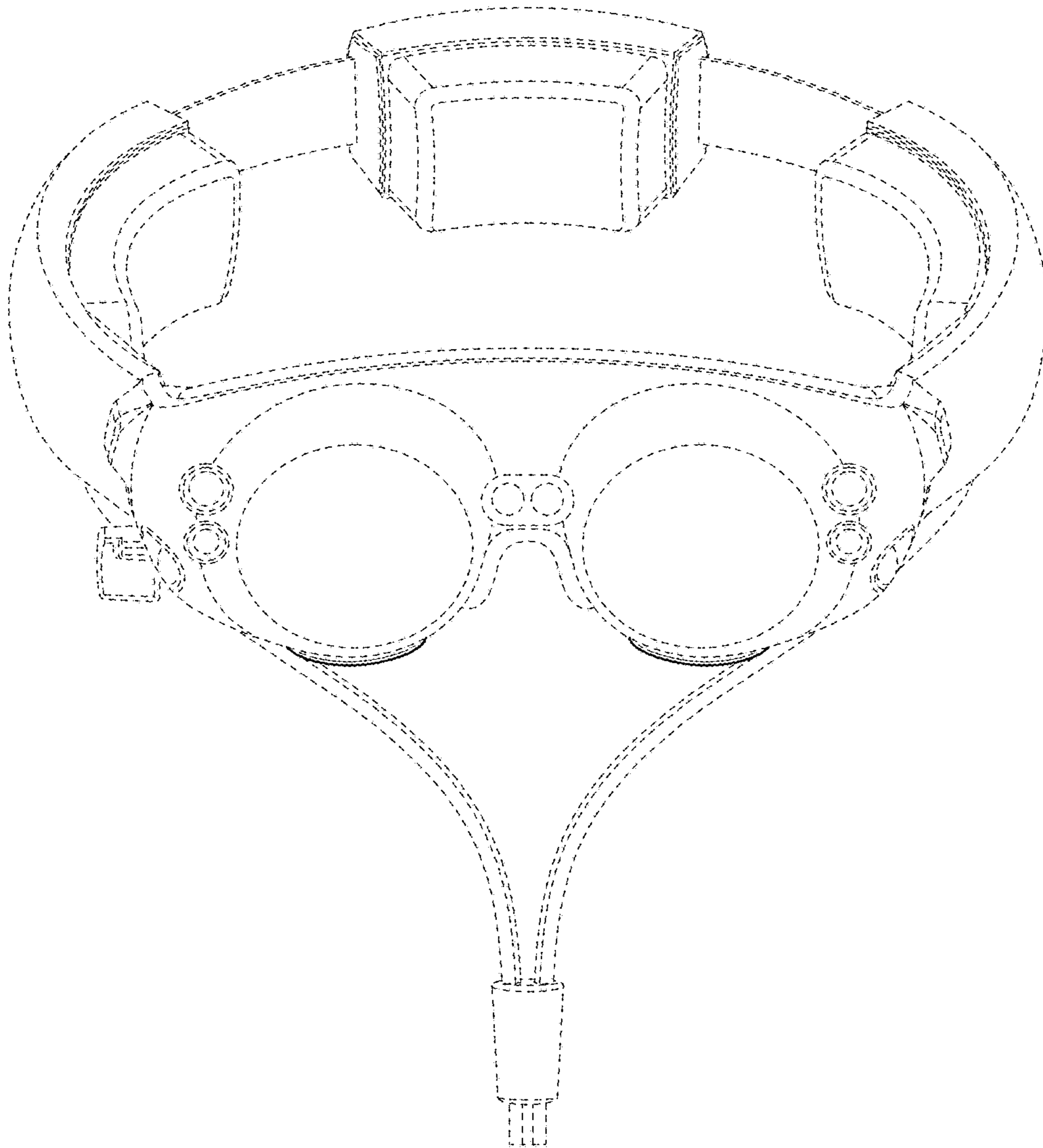


FIG. 15

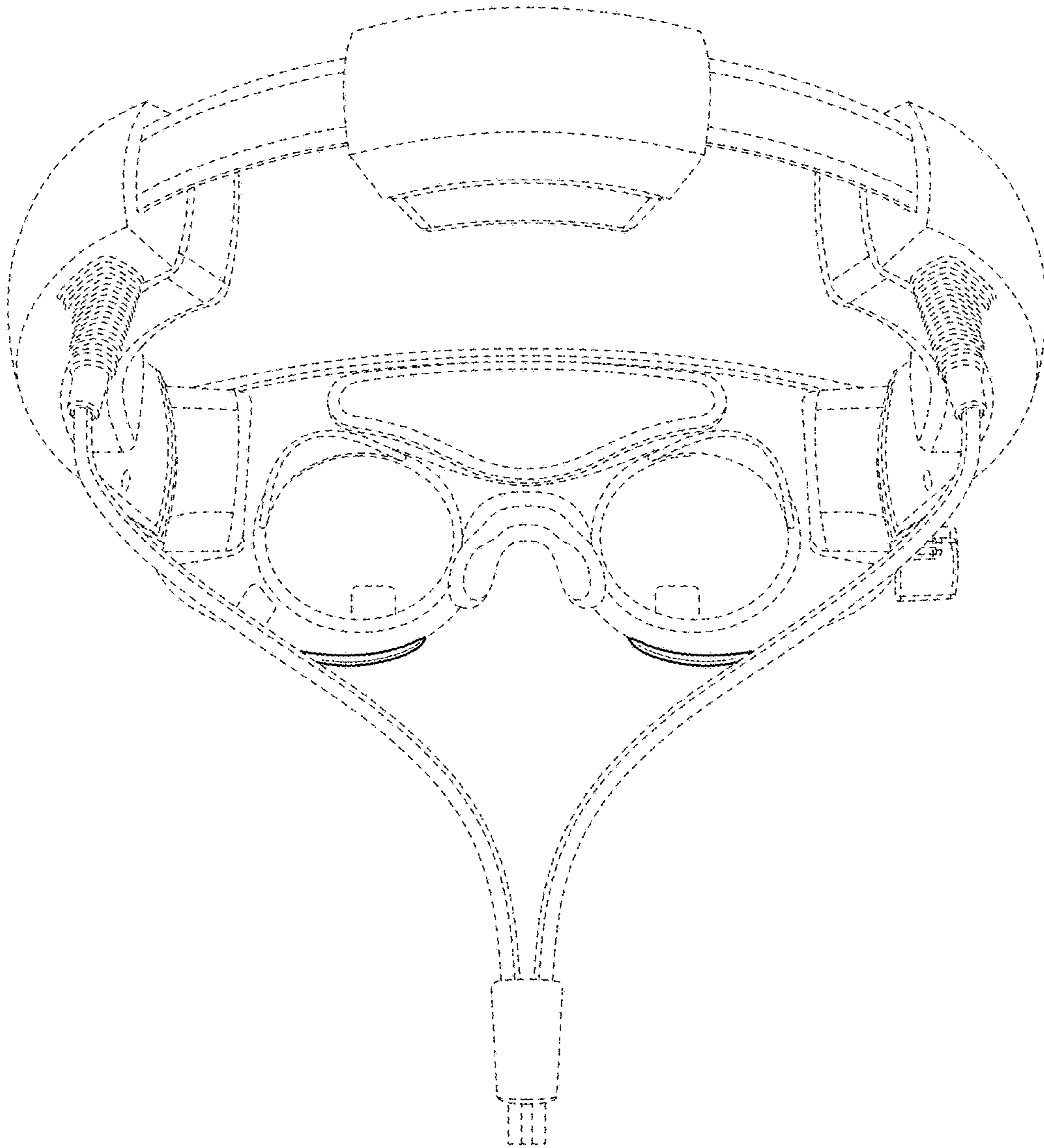


FIG. 16

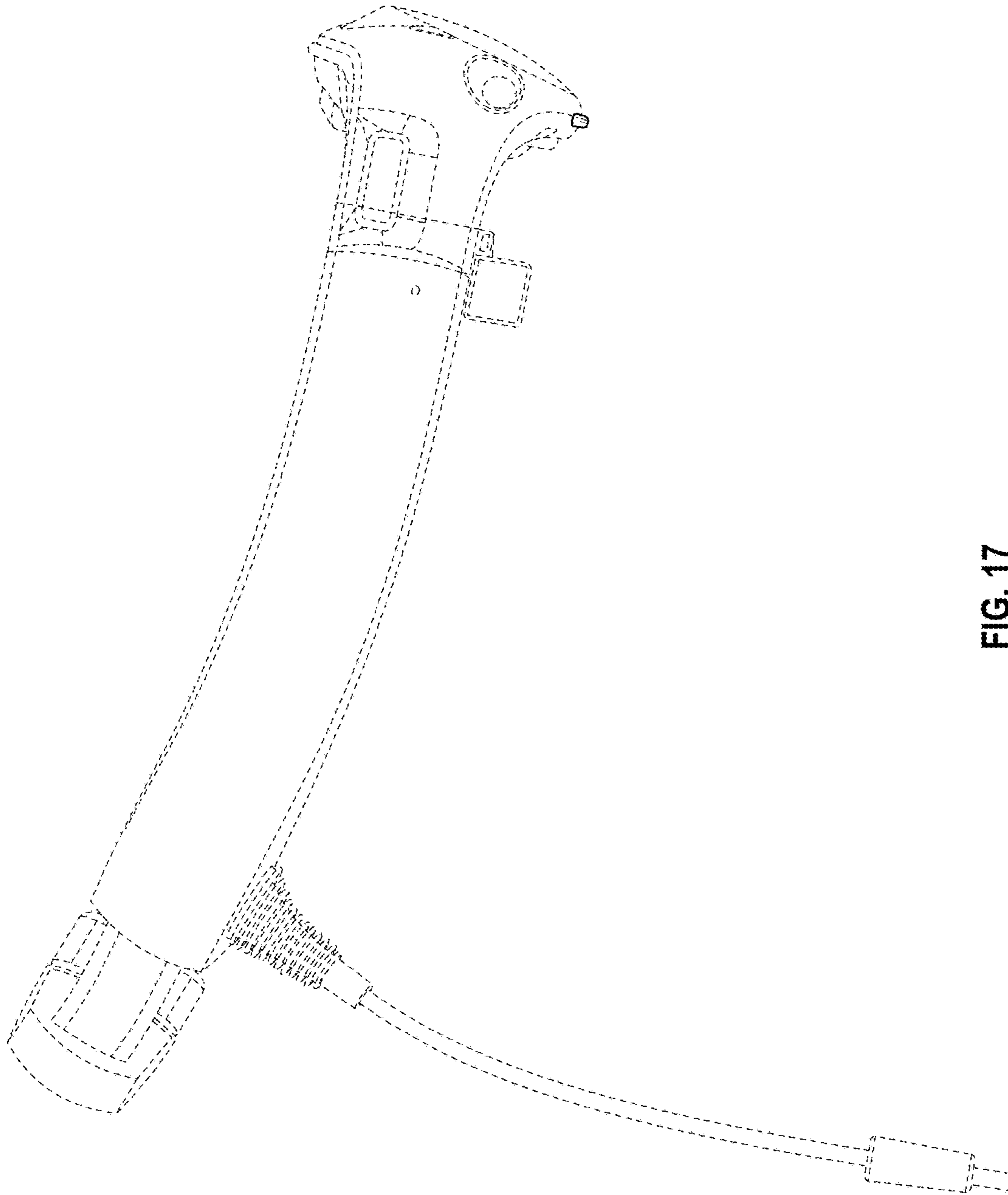


FIG. 17

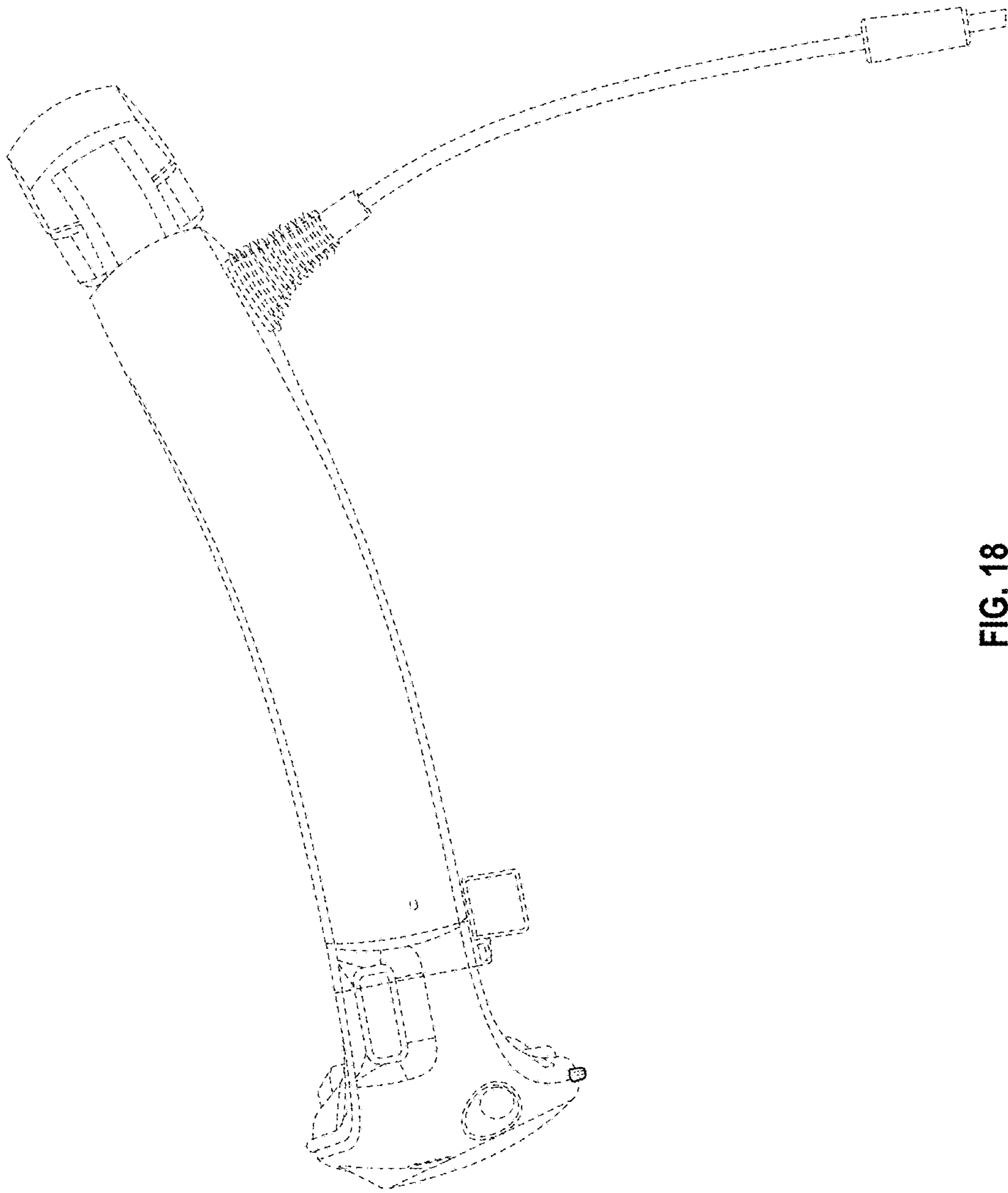


FIG. 18

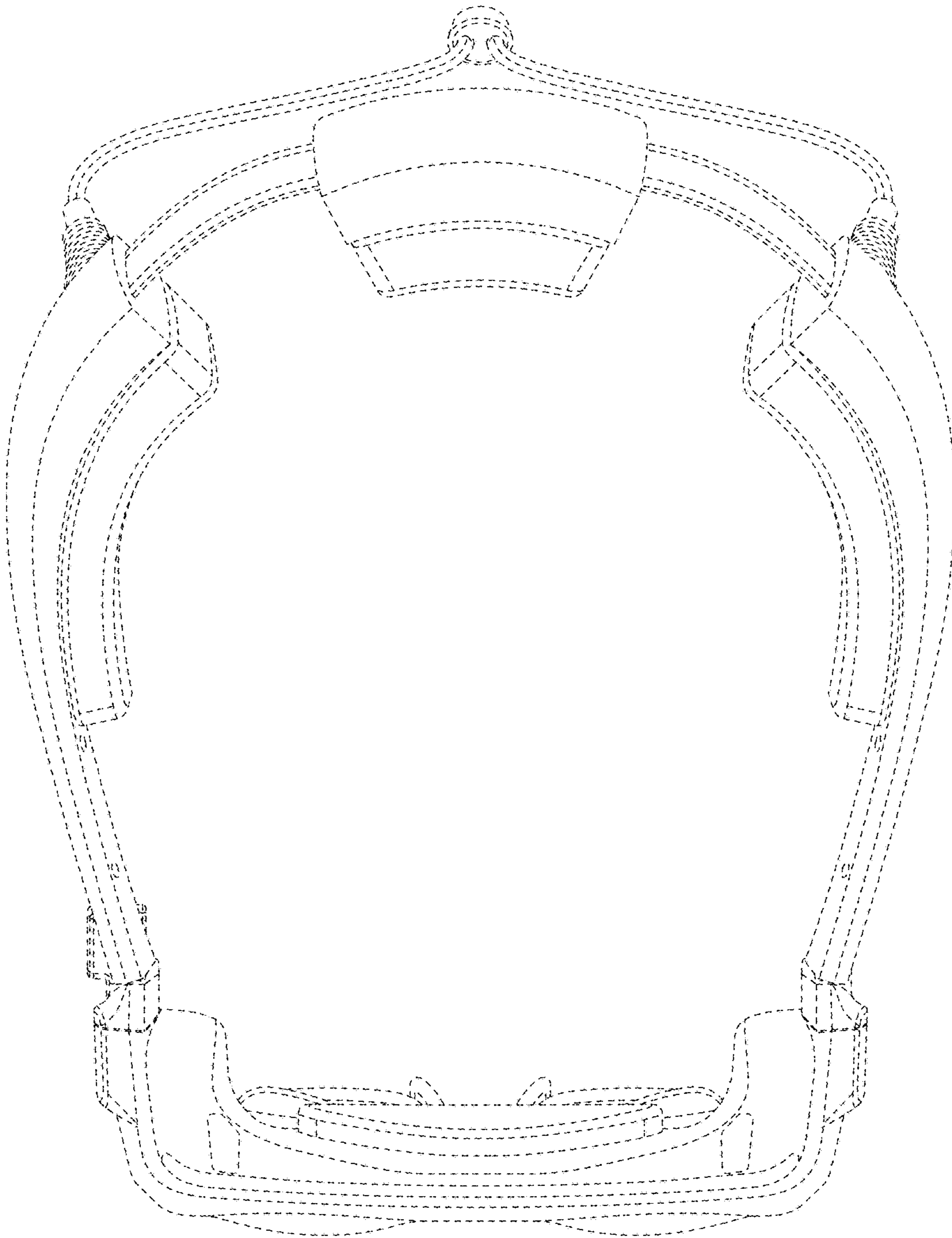


FIG. 19

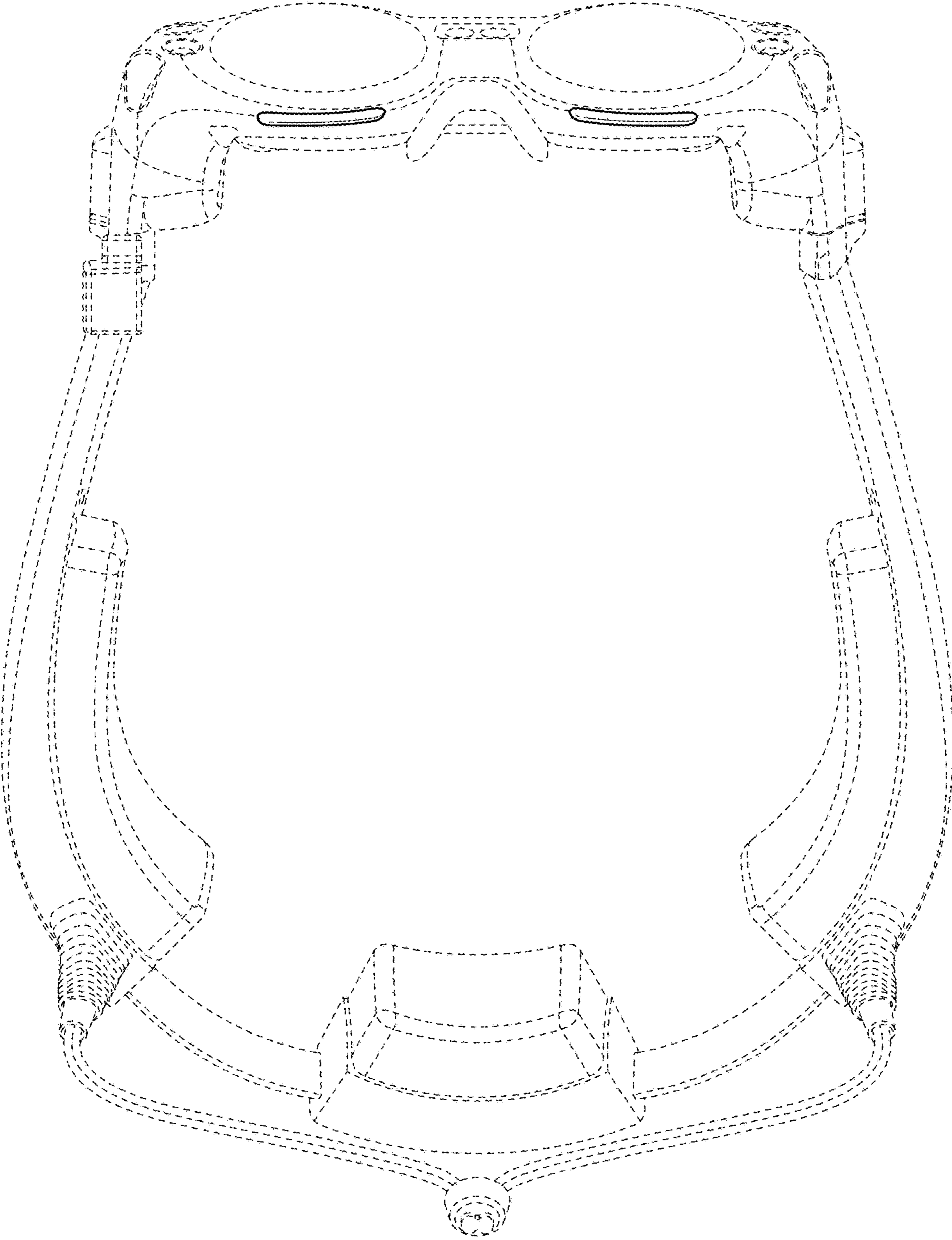


FIG. 20