



US00D858517S

(12) **United States Design Patent** (10) **Patent No.:** **US D858,517 S**
Kern et al. (45) **Date of Patent:** **** Sep. 3, 2019**

(54) **PAIR OF REMOVABLE ATTACHMENT CAPS FOR THE BODY OF A SMART WATCH**

(56)

References Cited

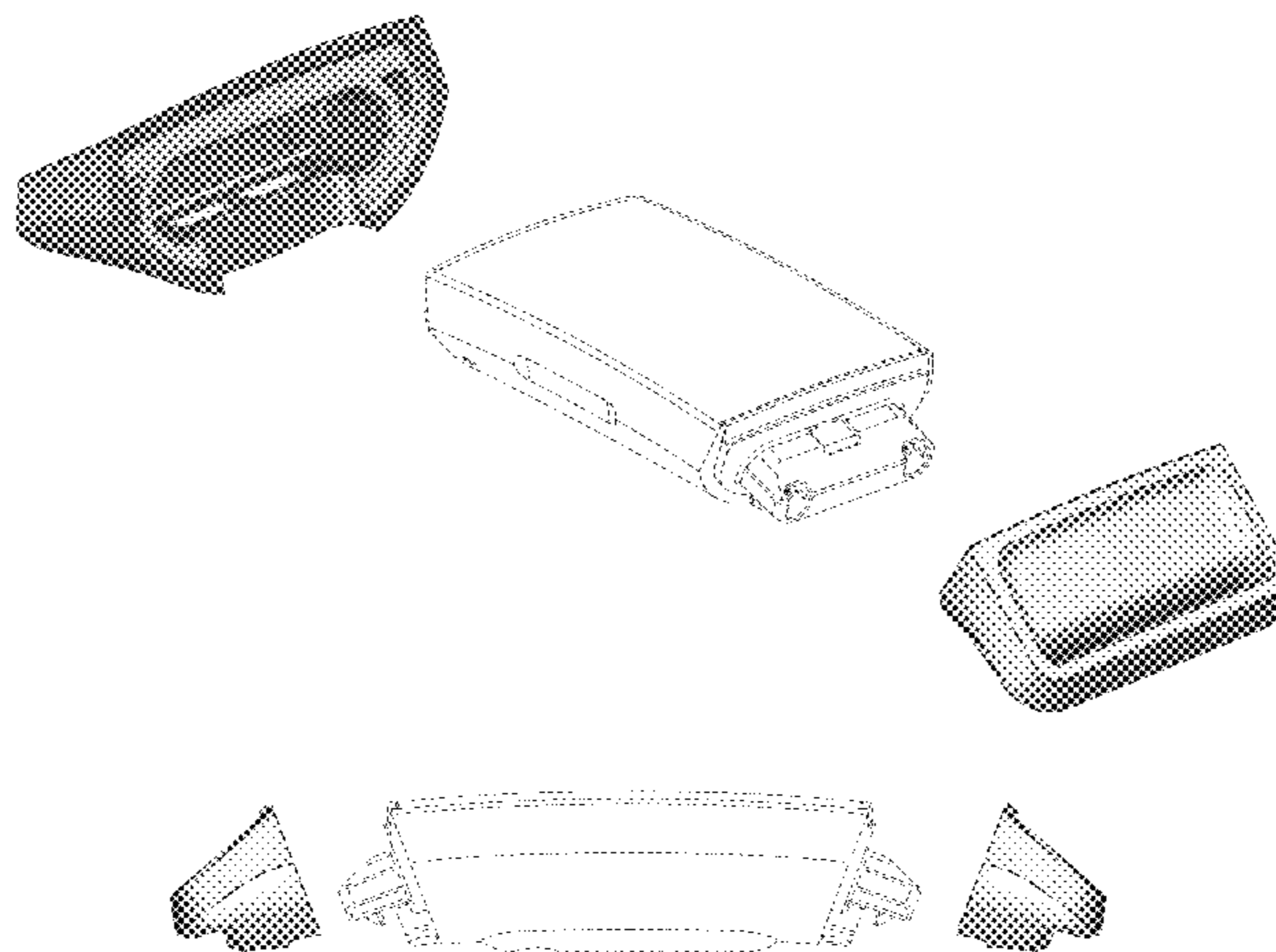
U.S. PATENT DOCUMENTS

- (71) Applicant: **Fitbit, Inc.**, San Francisco, CA (US)
- (72) Inventors: **Anthony Gerald Kern**, Pleasant Hill, CA (US); **Derek Jenchia Loh**, San Carlos, CA (US); **Benjamin Patrick Robert Jean Riot**, San Francisco, CA (US); **Jeffrey Andrew Fisher**, Mountain View, CA (US); **Patrick James Markan**, San Francisco, CA (US); **Stephen Ronald Smilovitz**, Belmont, CA (US)
- (73) Assignee: **Fitbit, Inc.**, San Francisco, CA (US)
- (**) Term: **15 Years**
- (21) Appl. No.: **29/664,612**
- (22) Filed: **Sep. 26, 2018**

134,735	A	1/1873	Cornell	
D141,753	S	7/1945	Du Bois	
D221,295	S	7/1971	Poon	
D221,296	S	7/1971	Poon	
D244,707	S	6/1977	Tiep	
4,417,821	A	11/1983	Herchenbach	
4,579,112	A *	4/1986	Scott	A61F 11/08 128/864
D285,422	S	9/1986	Grimes	
D314,527	S	2/1991	Kaneko	
D324,340	S	3/1992	Houlihan	
D324,341	S	3/1992	Houlihan	
D327,440	S	6/1992	Galli	
D345,926	S	4/1994	Houlihan	
D454,075	S *	3/2002	Tschumy	D10/30
D556,194	S	11/2007	Rambosek et al.	
D559,723	S	1/2008	Kraus et al.	
D580,277	S	11/2008	Brady et al.	
7,509,712	B2	3/2009	Sima	
7,575,368	B2	8/2009	Guillaume	
D602,386	S	10/2009	Ueda et al.	
D621,808	S	8/2010	Kim	
D637,094	S	5/2011	Cobbett et al.	
D638,736	S	5/2011	Cobbett et al.	
8,296,983	B2	10/2012	Padgett et al.	
8,370,549	B2	2/2013	Burton et al.	
D680,651	S	4/2013	Lumme et al.	
D712,246	S *	9/2014	Akana	D9/418
D715,668	S	10/2014	Roush et al.	
D718,647	S	12/2014	Roush et al.	
D720,074	S	12/2014	Suvilaakso et al.	
8,954,135	B2	2/2015	Yuen et al.	
D724,479	S	3/2015	Cerrato	
D725,533	S	3/2015	Riddiford et al.	
8,967,437	B2	3/2015	Wilson	
D726,052	S	4/2015	Henning	
D726,056	S	4/2015	Riddiford et al.	
D727,183	S	4/2015	Park et al.	
D727,759	S	4/2015	Martinez et al.	
D729,646	S	5/2015	Phillips et al.	
D729,648	S	5/2015	Phillips et al.	
D729,649	S	5/2015	Phillips et al.	
D729,651	S	5/2015	Nuovo et al.	
D729,657	S	5/2015	Behar	
D729,658	S	5/2015	Behar	
D730,211	S	5/2015	Behar	
9,044,149	B2	6/2015	Richards et al.	
9,064,391	B2	6/2015	Vardi et al.	
D735,068	S	7/2015	Garcia Pla	

Related U.S. Application Data

- (63) Continuation of application No. 29/645,397, filed on Apr. 25, 2018.
- (51) **LOC (12) Cl.** **14-02**
- (52) **U.S. Cl.**
USPC **D14/344**; D24/186
- (58) **Field of Classification Search**
USPC .. D14/138 R, 144, 341, 344, 358, 388, 218;
D10/30-39, 70, 98; D11/3, 4, 26, 93-94,
D11/78.1, 79, 86; D24/167, 169,
D24/186-187, 164
CPC A41D 1/002; A41D 19/0034; G06F 1/04;
G06F 1/08; G06F 1/10; G06F 1/14; G06F
1/1626; G06F 1/1628; G06F 1/163; G06F
1/1635; G06F 1/3203; G06Q 20/10;
G06Q 20/12; G06Q 20/108; G06Q
20/145; H04B 1/3833; H04B 1/385;
H04B 1/3888; H04M 1/02; H04M 1/03;
H04M 1/04; H04M 1/05; H04M 1/667;
H04M 1/6058; Y02B 60/1217
See application file for complete search history.



US D858,517 S

Page 2

D737,158 S	8/2015	Akana et al.	2016/0072554 A1	3/2016	Sharma et al.
9,095,311 B2	8/2015	Hidai et al.	2016/0223992 A1	8/2016	Seo et al.
D738,237 S	9/2015	Song	2017/0020453 A1	1/2017	Nakagawa et al.
D738,759 S	9/2015	Behar	2017/0065224 A1	3/2017	Rahko et al.
D740,702 S	10/2015	Behar	2017/0086692 A1	3/2017	Freschl et al.
9,189,023 B2	11/2015	Lim	2017/0172499 A1	6/2017	Yoo
D745,513 S	12/2015	Jung et al.	2017/0224218 A1	8/2017	Tanaka et al.
D745,514 S	12/2015	Jung et al.	2017/0311884 A1	11/2017	Takahashi et al.
D745,868 S	12/2015	Choi et al.	2018/0132574 A1	5/2018	Rittenhouse
D746,477 S	12/2015	Cha et al.	2018/0132738 A1	5/2018	Choi et al.
D747,714 S	1/2016	Erbeus	2018/0235327 A1*	8/2018	Bayley A44C 5/2071
D749,002 S	2/2016	Park et al.	2018/0289116 A1	10/2018	McCray et al.
9,256,253 B2	2/2016	Peek et al.	2018/0294554 A1*	10/2018	Xu G04G 21/04
D750,622 S	3/2016	Chen et al.			
D751,068 S	3/2016	Erbeus			
D751,069 S	3/2016	Choi et al.			
D751,549 S	3/2016	Park et al.			
D752,046 S	3/2016	Jun			
9,285,830 B2	3/2016	Alcazar			
D756,832 S	5/2016	Riddiford et al.			
D757,574 S	5/2016	Song			
D757,583 S	5/2016	Roush et al.			
D757,721 S	5/2016	Dallmeyer et al.			
D759,516 S	6/2016	Ling et al.			
D759,523 S	6/2016	Ling et al.			
D759,622 S	6/2016	Dahlberg			
D759,826 S	6/2016	Martinez et al.			
D761,140 S	7/2016	Wimmer, IV			
D761,675 S	7/2016	Thaveeprungsriporn et al.			
D762,210 S	7/2016	Lee et al.			
9,401,568 B1*	7/2016	Masuda H01R 13/6581			
D763,719 S	8/2016	Nielsen et al.			
D765,072 S	8/2016	Kwon			
9,498,161 B1	11/2016	Sunden et al.			
D777,590 S	1/2017	Nielsen et al.			
9,551,608 B2	1/2017	Cho et al.			
D782,349 S*	3/2017	Konotopskyi D10/106.6			
D784,542 S*	4/2017	Zwierstra D24/186			
D787,960 S	5/2017	Park et al.			
D788,608 S	6/2017	Houin et al.			
D789,822 S	6/2017	Akana et al.			
D789,929 S	6/2017	Tan et al.			
D790,365 S	6/2017	Nuovo et al.			
D790,374 S	6/2017	Lean et al.			
D792,795 S	7/2017	Cerrato			
D793,269 S	8/2017	Magniez et al.			
D793,270 S	8/2017	Riddiford et al.			
D795,719 S	8/2017	Lean et al.			
9,735,823 B1	8/2017	VanDuyn et al.			
9,743,695 B2	8/2017	Yoo			
D796,368 S	9/2017	Lowe et al.			
D799,990 S	10/2017	Behling			
D800,109 S	10/2017	Rouillac et al.			
D800,593 S	10/2017	Ling et al.			
D802,453 S	11/2017	Page et al.			
D806,880 S	1/2018	Henning			
D807,219 S	1/2018	Ling et al.			
D807,777 S	1/2018	Lowe et al.			
D809,144 S	1/2018	Wu			
9,879,823 B2	1/2018	Oberpriller et al.			
D806,589 S	2/2018	Le Bihan et al.			
D809,955 S	2/2018	Ling et al.			
D813,229 S	3/2018	Ling et al.			
D813,695 S	3/2018	Nielsen et al.			
D821,245 S	6/2018	Lowe et al.			
D821,247 S	6/2018	Lean et al.			
D822,526 S	7/2018	Len et al.			
10,016,161 B2*	7/2018	Townsend G06F 1/163			
D826,744 S	8/2018	Liu			
D826,745 S	8/2018	Liu			
D829,123 S	9/2018	Nielsen et al.			
D829,330 S	9/2018	Zheng			
D829,692 S*	10/2018	Paschke D14/223			
D830,880 S*	10/2018	Akana D11/94			
10,111,504 B2	10/2018	Hundt et al.			
10,136,543 B1*	11/2018	Nadkarni H05K 7/1427			
2015/0102075 A1*	4/2015	Shibuya A44C 5/0015			
		224/267			
2015/0186609 A1	7/2015	Utter, II			

FOREIGN PATENT DOCUMENTS

CN	203407616 U	1/2014
CN	104257043 A	1/2015
CN	204347450 U	5/2015
CN	104665130 A	6/2015
CN	204467157 U	7/2015
CN	105795625 A	7/2016
CN	205696116 U	11/2016
CN	205696118 U	11/2016
CN	205697726 U	11/2016
CN	206101834 U	4/2017
CN	206137393 U	5/2017
CN	206150625 U	5/2017
CN	206165989 U	5/2017
CN	206175396 U	5/2017
CN	206433908 U	8/2017
CN	107594777 A	1/2018
CN	206866760 U	1/2018
CN	207118680 U	3/2018
CN	207266646 U	4/2018
CN	207341307 U	5/2018
CN	207341311 U	5/2018
CN	207544504 U	6/2018
CN	207613311 U	7/2018
CN	207767666 U	8/2018
GB	2522510 A	7/2015
JP	3173930 U	3/2012
JP	2017205260 A	11/2017
WO	2016188106 A1	1/2016
WO	2017121662 A1	7/2017
WO	2018059386 A1	4/2018

OTHER PUBLICATIONS

Fitbit Charge 3 leak hints at massive changes, posted Aug. 14, 2018, [retrieved Jan. 29, 2019]. Retrieved from Internet, <URL: <https://www.slashgear.com/fitbit-charge-3-leak-hints-at-massive-changes-14541228/>>.*

New Fitbit is a waterproof smartwatch in disguise, posted Aug. 28, 2018, [retrieved Jan. 29, 2019]. Retrieved from Internet, <URL: https://www.fox5vegas.com/archives/new-fitbit-is-a-waterproof-smartwatch-in-disguise/article_277bf36f-2e79-5b48-b490-1abce7603fae.html>.*

U.S. Appl. No. 29/572,967, filed Aug. 1, 2016, applicant Fitbit, Inc.

U.S. Appl. No. 29/593,260, filed Feb. 7, 2017, applicant Fitbit, Inc.

U.S. Appl. No. 29/593,261, filed Feb. 7, 2017, applicant Fitbit, Inc.

U.S. Appl. No. 29/596,216, filed Mar. 6, 2017, applicant Fitbit, Inc.

U.S. Appl. No. 29/602,541, filed May 1, 2017, applicant Fitbit, Inc.

U.S. Appl. No. 29/625,052, filed Nov. 7, 2017, applicant Fitbit, Inc.

U.S. Appl. No. 29/520,607, filed Mar. 16, 2015, applicant Fitbit, Inc.

U.S. Appl. No. 29/524,027, filed Apr. 15, 2015, applicant Fitbit, Inc.

U.S. Appl. No. 29/541,368, filed Oct. 2, 2015, applicant Fitbit, Inc.

U.S. Appl. No. 29/568,588, filed Jun. 20, 2016, applicant Fitbit, Inc.

U.S. Appl. No. 29/621,239, filed Oct. 5, 2017, applicant Fitbit, Inc.

U.S. Appl. No. 29/614,464, filed Aug. 18, 2017, applicant Fitbit, Inc.

U.S. Appl. No. 29/548,501, filed Dec. 14, 2015, applicant Fitbit, Inc.

U.S. Appl. No. 29/564,199, filed May 11, 2016, applicant Fitbit, Inc.

U.S. Appl. No. 29/614,479, filed Aug. 18, 2017, applicant Fitbit, Inc.

U.S. Appl. No. 29/522,853, filed Apr. 2, 2015, applicant Fitbit, Inc.
 U.S. Appl. No. 29/522,858, filed Apr. 2, 2015, applicant Fitbit, Inc.
 U.S. Appl. No. 29/540,741, filed Sep. 28, 2015, applicant Fitbit, Inc.
 ACBEE Replacement watch band with buckle for Fitbit Alta for sale at www.amazon.com, Website accessed Nov. 7, 2018.
 Perfit rubber watch band with double prong buckle and spring bars for sale at www.amazon.com. Website accessed Nov. 7, 2018.
 Waterproof diving silicone rubber strap with clasp for sale at www.aliexpress.com (Alibaba Group). Website accessed Feb. 7, 2018.
 Damusy Fitness Tracker Smart Band for sale at www.activityandfitnesstrackers.com. Website accessed Nov. 10, 2018.
 Volemer F09HR Smart Band Fitness Tracker for sale at www.epaky.com. Website accessed Nov. 10, 2018.
 “First Look: Fitbit announces new Fitbit Alta activity tracker”, published Feb. 3, 2016 on DC Rainmaker (www.dcrainmaker.com). Website accessed Nov. 10, 2018.
 Fitbit Alta—for sale by Fitbit (<https://www.fitbit.com/alta>). Website accessed Mar. 27, 2017.
 Fitbit Alta replacement bands—for sale at www.amazon.com. Website accessed Jul. 17, 2017.
 Fitbit Alta review published Mar. 25, 2016 on CNet (www.cnet.com). Website accessed 2018-11-110.
 Fitbit Charge 2 Heart Rate and Fitness Wristband for sale at www.amazon.co.uk. Website accessed Feb. 7, 2018.
 Fitbit Flex Wireless Activity and Sleep Wristband for sale at www.amazon.com. Listed at least as early as Apr. 16, 2013.
 Fitbit Ionic Accessory Band for sale at Nordstrom (<https://shop.nordstrom.com>). Website accessed Nov. 7, 2018.
 Fitbit Alta HR Bands for sale at The Fitness Equipment Shop (www.thefitnessequipmentshop.com). Website accessed Nov. 17, 2018.
 Luminox Replacement Rubber Watch Band Strap for sale at Walmart (www.walmart.com). Website accessed Nov. 7, 2018.
 “MPOW DS-D6 Fitness Band Review” published Jan. 13, 2018 on ZeroAir (www.zeroair.wordpress.com). Website accessed Nov. 10, 2018.
 “Fitbit Product Teardown” on Pinterest, pinned from www.ifixit.com. Website accessed Feb. 27, 2017.
 Pro Elite Medicine Ball by Power Systems (www.power-systems.com). Website accessed Feb. 7, 2018.
 Replacement metal watch band Connector for Fitbit Alta/Fitbit Alta HR for sale at Banggood (www.banggood.com). Website accessed Nov. 10, 2018.
 Citrine by the Stones Sol Forearm Band for sale at Shopbop (www.shopbop.com). Website accessed Nov. 11, 2018.
 Gorjana Mia Wrap Cuff for sale at Shopbop (www.shopbop.com). Website accessed Nov. 11, 2018.
 Marc by Marc Jacobs Engraved Turlock Leather Bangle Bracelet for sale at Shopbop (www.shopbop.com). Website accessed Nov. 11, 2018.
 Monserat de Lucca Measuring Tape Bracelet for sale at Shopbop (www.shopbop.com). Website accessed Nov. 11, 2018.
 Suppa G-Shock Strap Adapters, online at least as early as Dec. 13, 2013. Accessed Feb. 7, 2017.
 Suunto Core watchband on Instagram. Accessed Feb. 7, 2017.
 iGK Fitbit Alta Bands—replacement sport strap bands for Fitbit Alta for sale at Walmart (www.walmart.com). Website accessed Nov. 7, 2018.
 U.S. Appl. No. 29/635,224, filed Jan. 29, 2018, applicant Fitbit, Inc.
 U.S. Appl. No. 29/663,373, filed Sep. 18, 2018, applicant Fitbit, Inc.
 U.S. Appl. No. 29/663,375, filed Sep. 14, 2018, applicant Fitbit, Inc.

U.S. Appl. No. 29/664,592, filed Sep. 26, 2018, applicant Fitbit, Inc.
 U.S. Appl. No. 29/645,397, filed Apr. 25, 2018, applicant Fitbit, Inc.
 U.S. Appl. No. 29/664,595, filed Sep. 26, 2018, applicant Fitbit, Inc.
 U.S. Appl. No. 29/664,626, filed Sep. 26, 2018, applicant Fitbit, Inc.
 U.S. Appl. No. 29/664,606, filed Sep. 26, 2018, applicant Fitbit, Inc.
 U.S. Appl. No. 29/664,615, filed Sep. 26, 2018, applicant Fitbit, Inc.
 Fintie for Gear S2 Watch Band Stainless Steel Metal Replacement Strap, for sale at www.amazon.com. Website accessed Apr. 24, 2019.

* cited by examiner

Primary Examiner — Barbara Fox

Assistant Examiner — Kristin E Reed

(74) *Attorney, Agent, or Firm* — Polson Intellectual Property Law, PC; Margaret Polson

(57)

CLAIM

The ornamental design for a pair of removable attachment caps for the body of a smart watch, as shown and described.

DESCRIPTION

This application is related to application Ser. No. 29/635,224 filed Jan. 29, 2018, which is incorporated entirely by reference herein for all purposes.

FIG. 1 is a top, front, right side isometric view of a pair of removable attachment caps for the body of a smart watch, shown exploded from the body of a smartwatch showing our new design.

FIG. 2 is a right side elevation view of FIG. 1.

FIG. 3 is a left side elevation view of FIG. 1.

FIG. 4 front side elevation view of FIG. 1, with attachment caps displaced sideways for visibility.

FIG. 5 is a back side elevation view of FIG. 4.

FIG. 6 is a top plan view of FIG. 4.

FIG. 7 is a bottom plan view of FIG. 4.

FIG. 8 is a bottom, left side isometric view of FIG. 4.

FIG. 9 is a front isometric view of one of the end caps of FIG. 1.

FIG. 10 is a front elevation view of FIG. 9.

FIG. 11 is a back side elevation view of FIG. 9.

FIG. 12 is a left side elevation view of FIG. 9.

FIG. 13 is a right side elevation view of FIG. 9.

FIG. 14 is a top plan view of FIG. 9.

FIG. 15 is a bottom plan view of FIG. 9.

FIG. 16 is a front bottom isometric view of FIG. 9.

FIG. 17 is a cross-sectional view taken along line 17-17 of FIG. 9 directionally upward.

FIG. 18 is a cross-sectional view taken along line 18-18 of FIG. 9 directionally downward; and,

FIG. 19 is a cross-sectional view taken along line 19-19 of FIG. 9.

The features shown in broken line in the drawings depict environmental subject matter only and form no part of the claimed design.

1 Claim, 19 Drawing Sheets

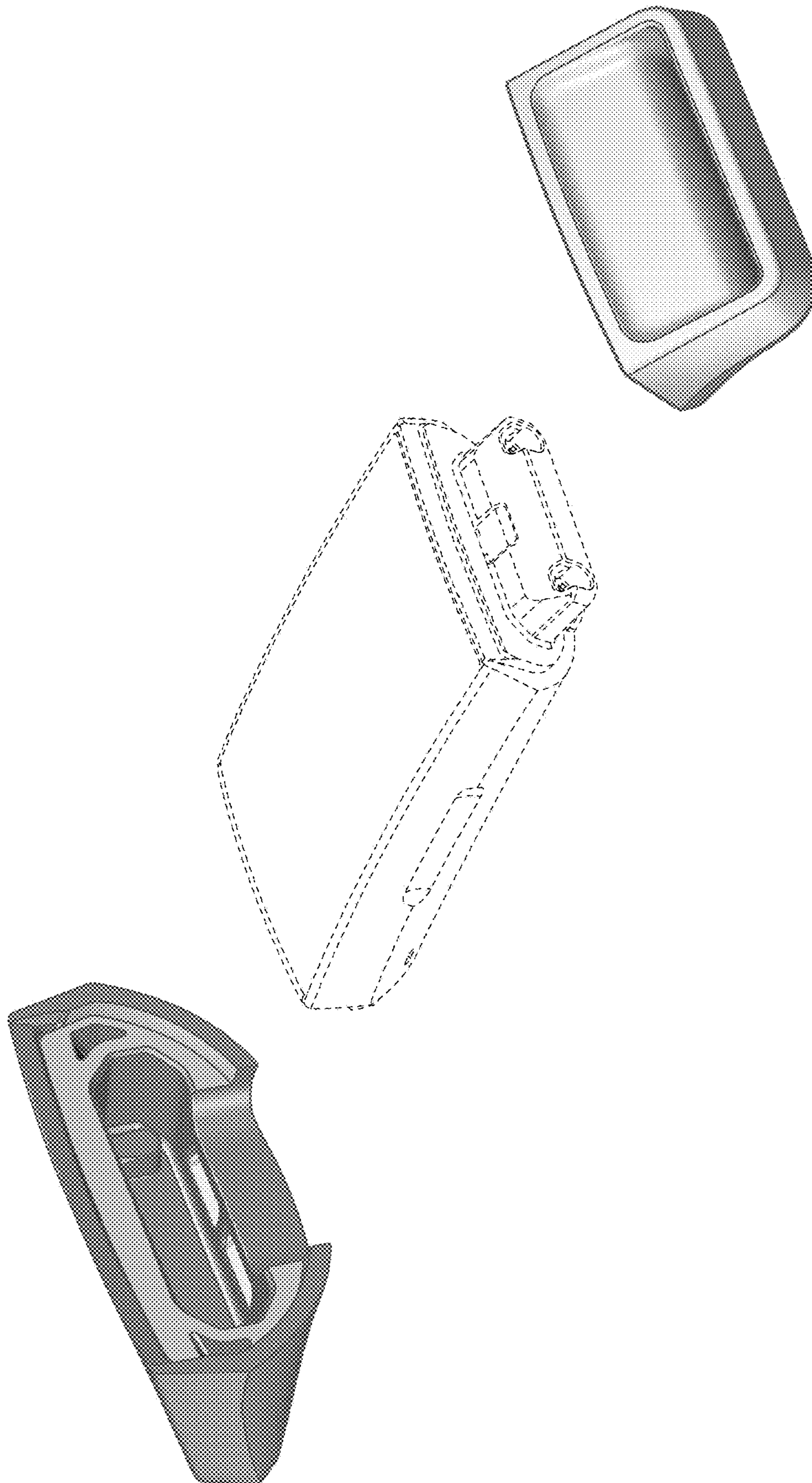


FIG. 1

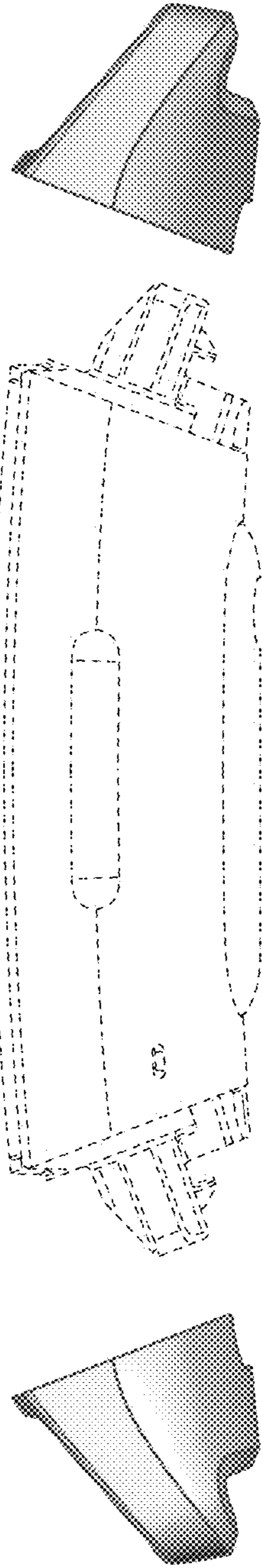


FIG. 2

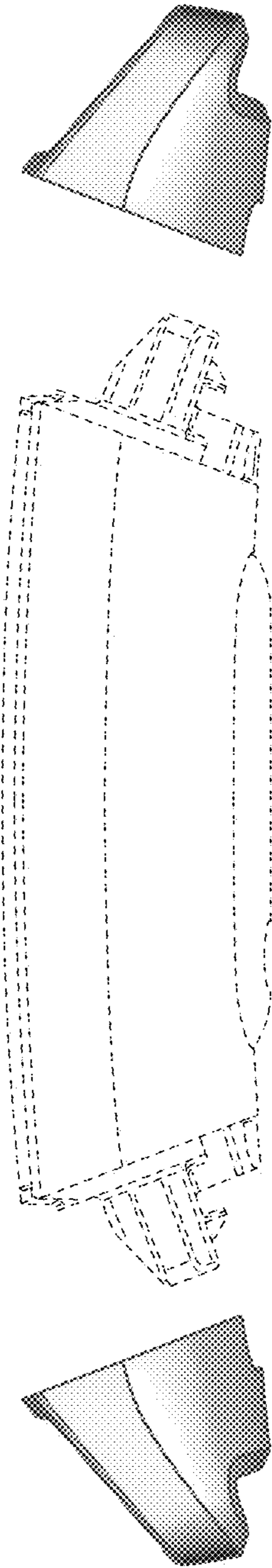


FIG. 3

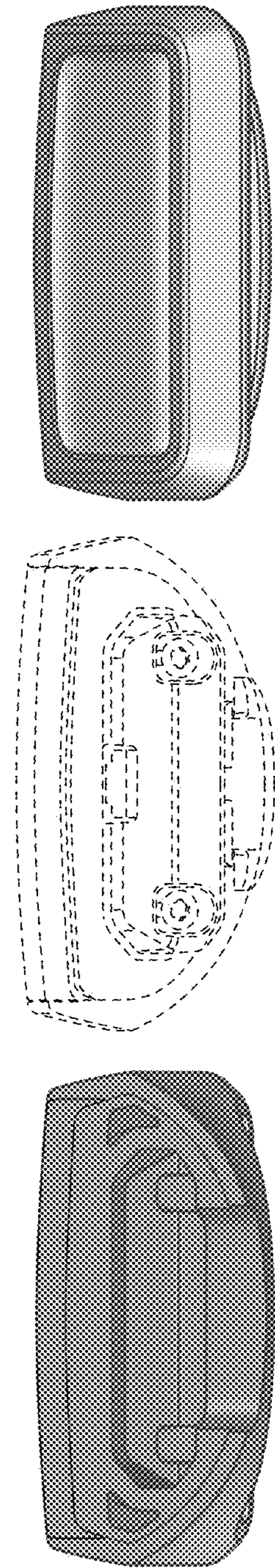


FIG. 4

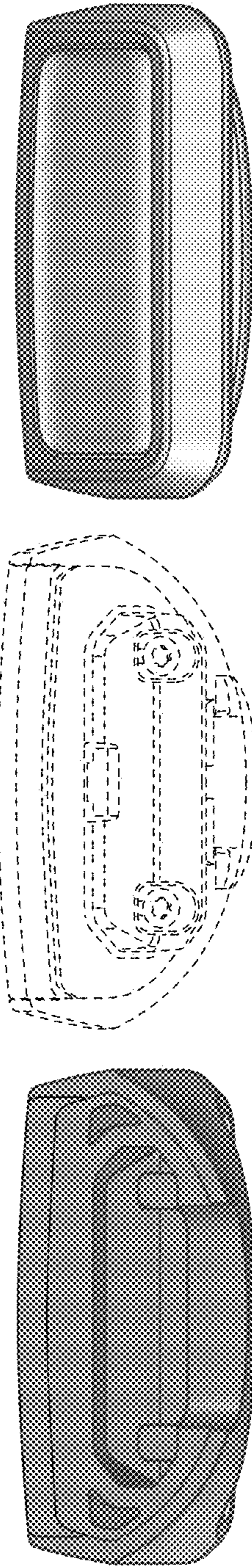


FIG. 5

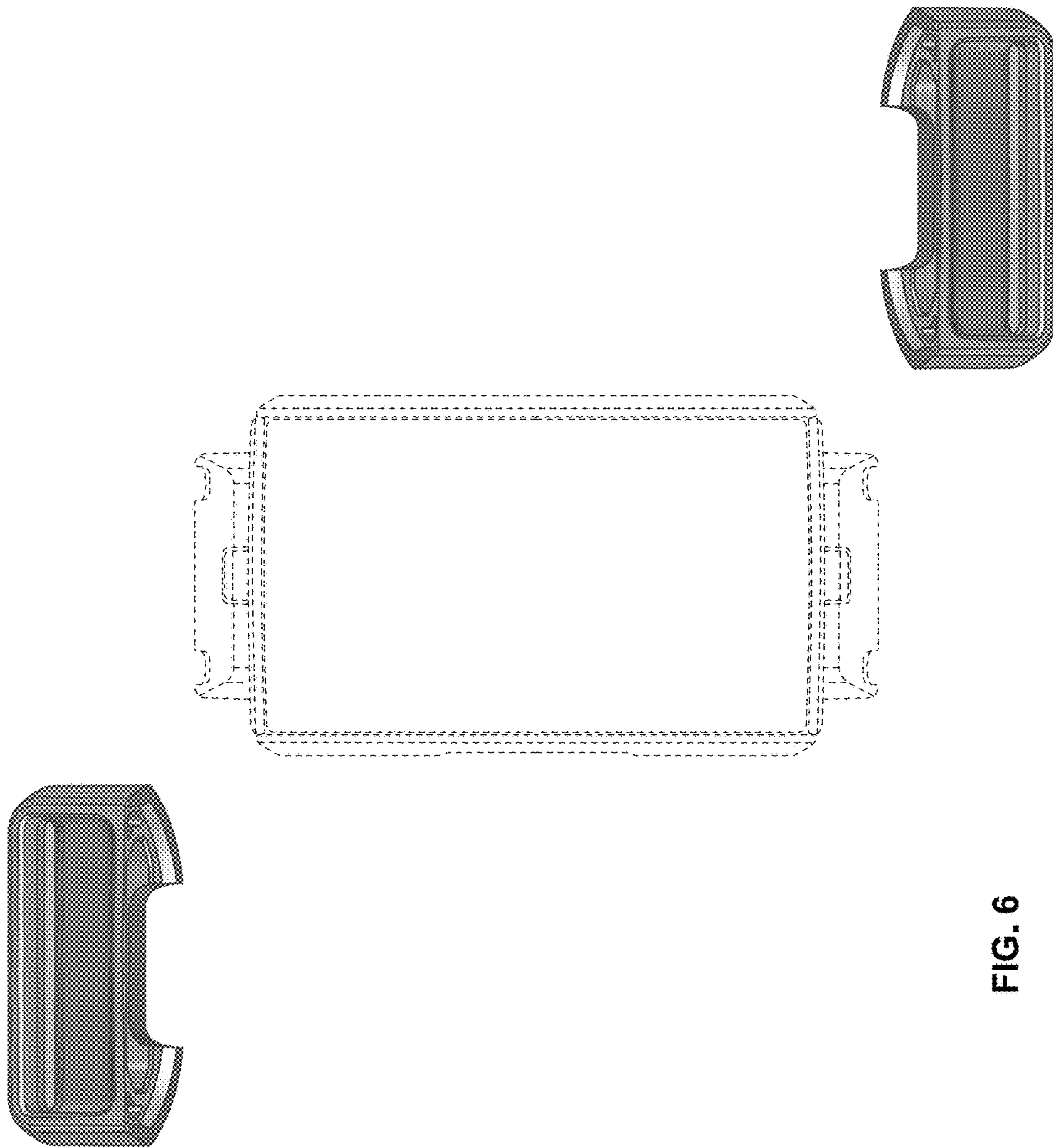


FIG. 6

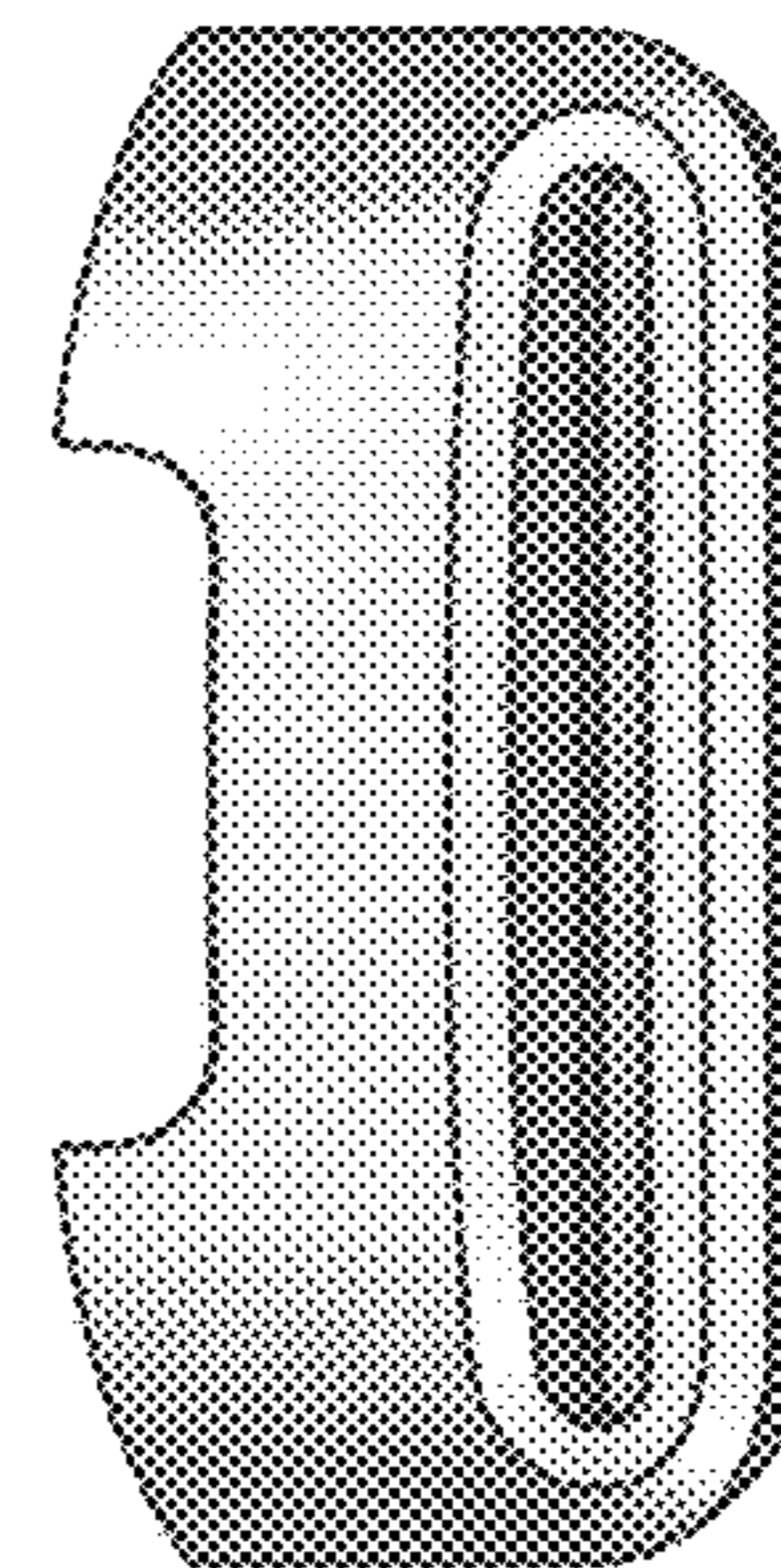
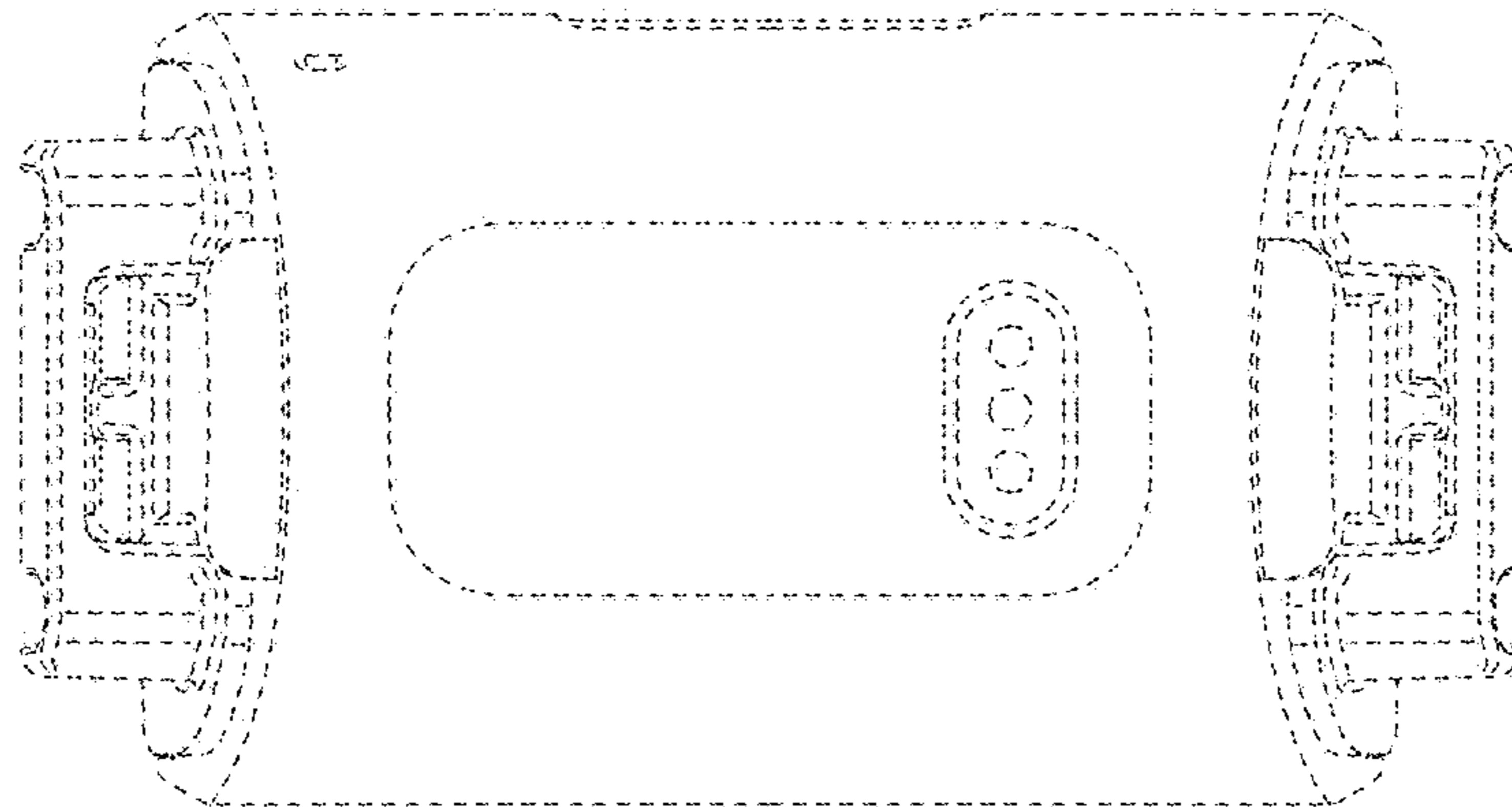
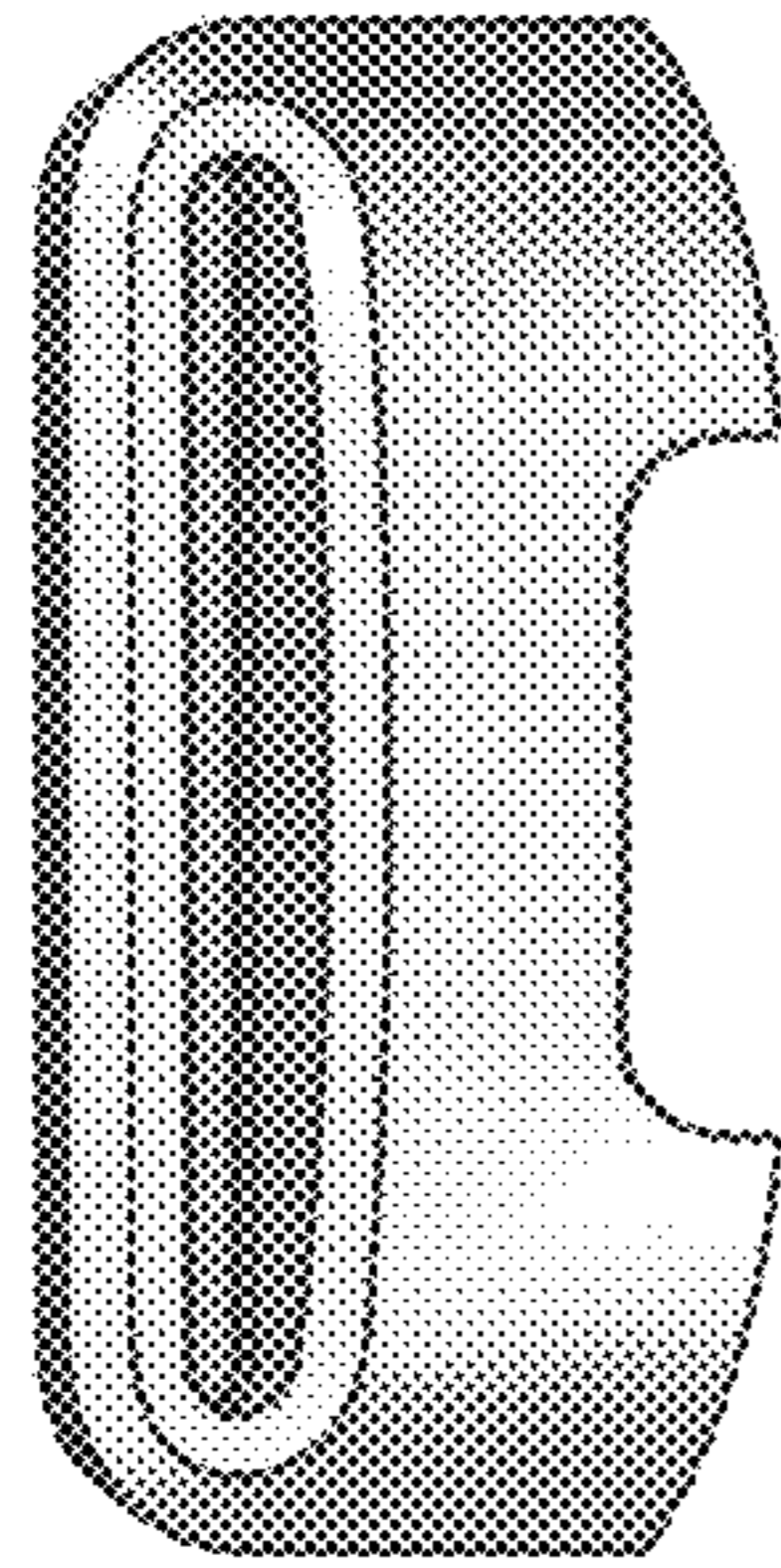


FIG. 7

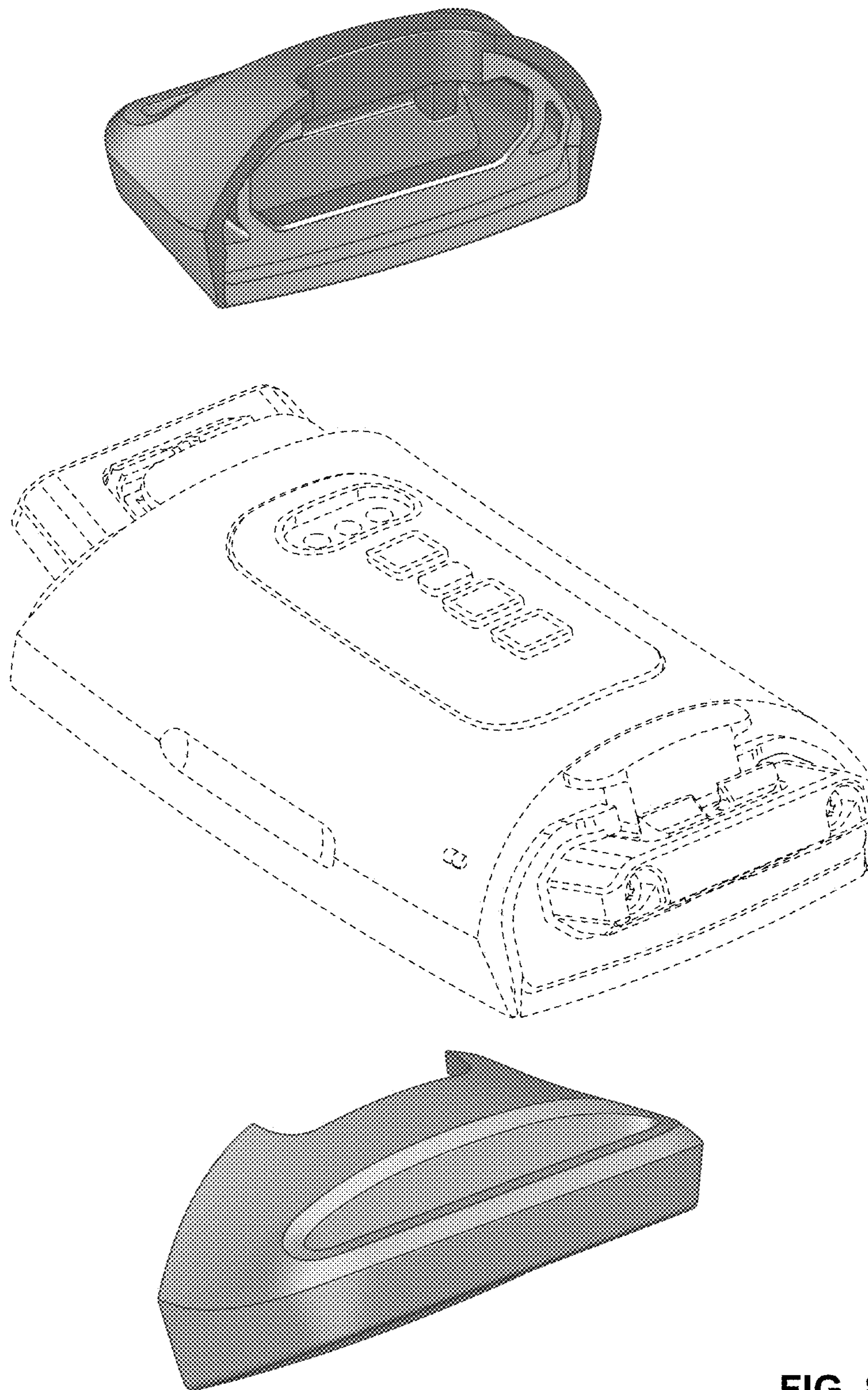


FIG. 8

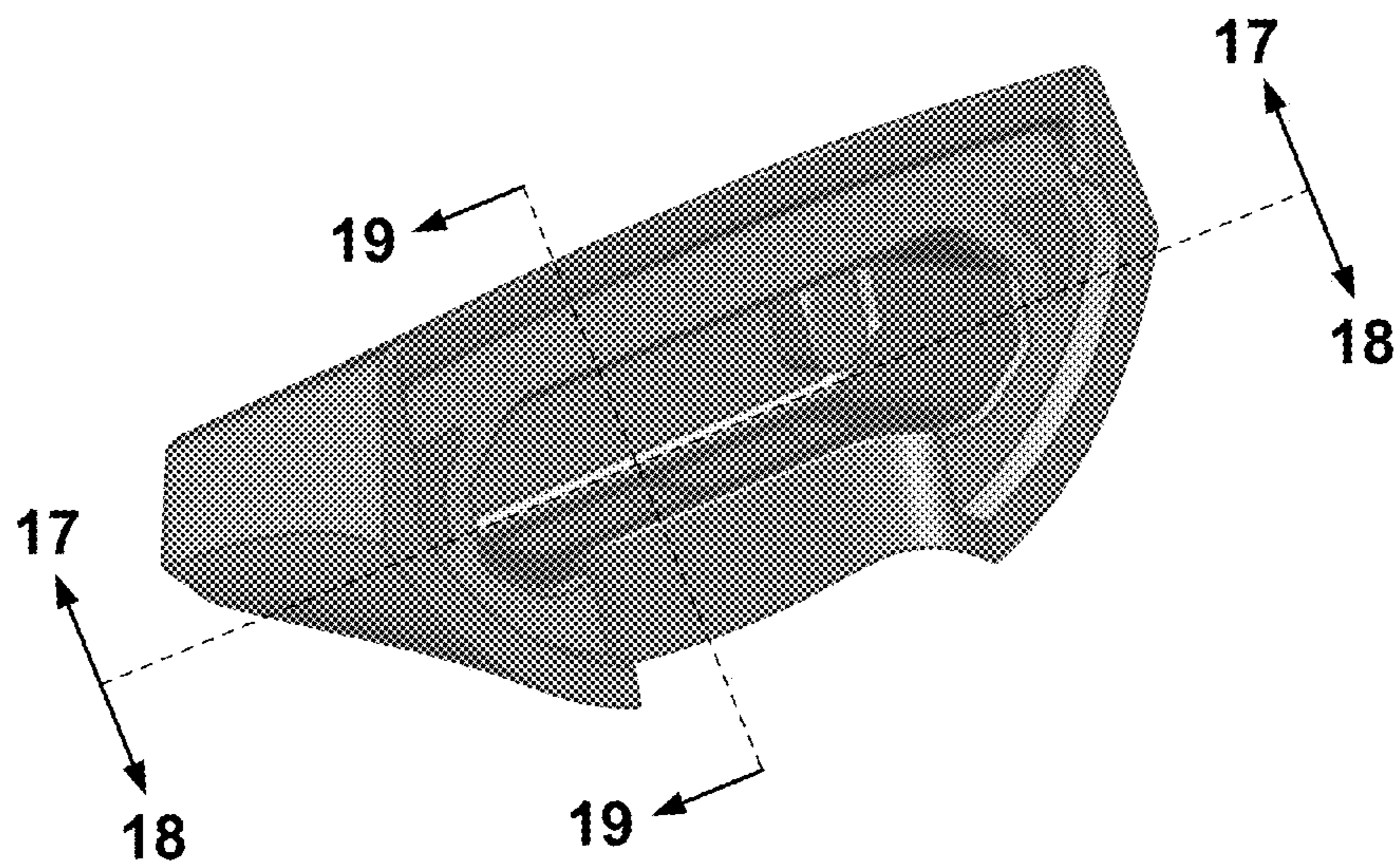


FIG. 9

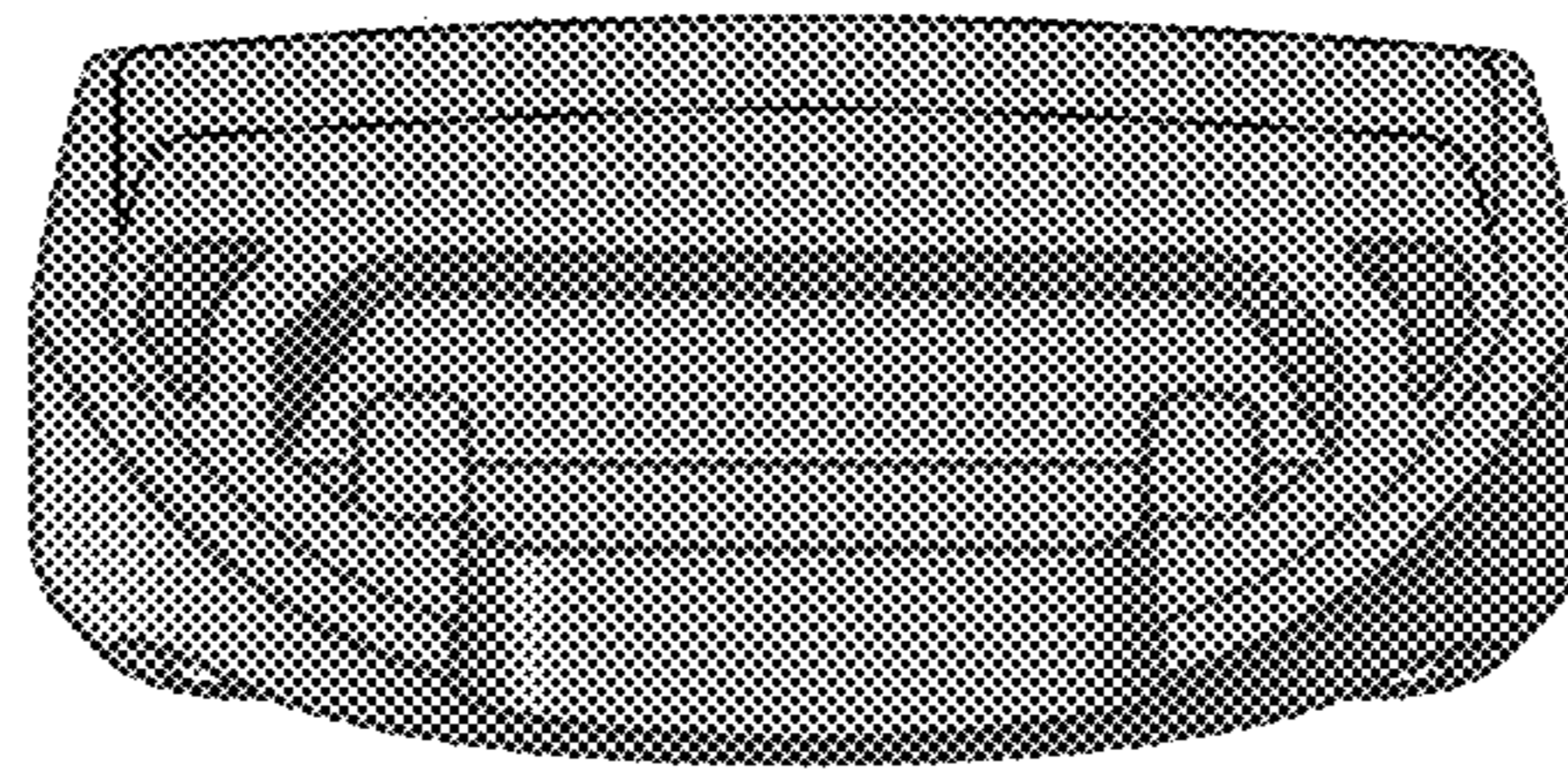


FIG. 10

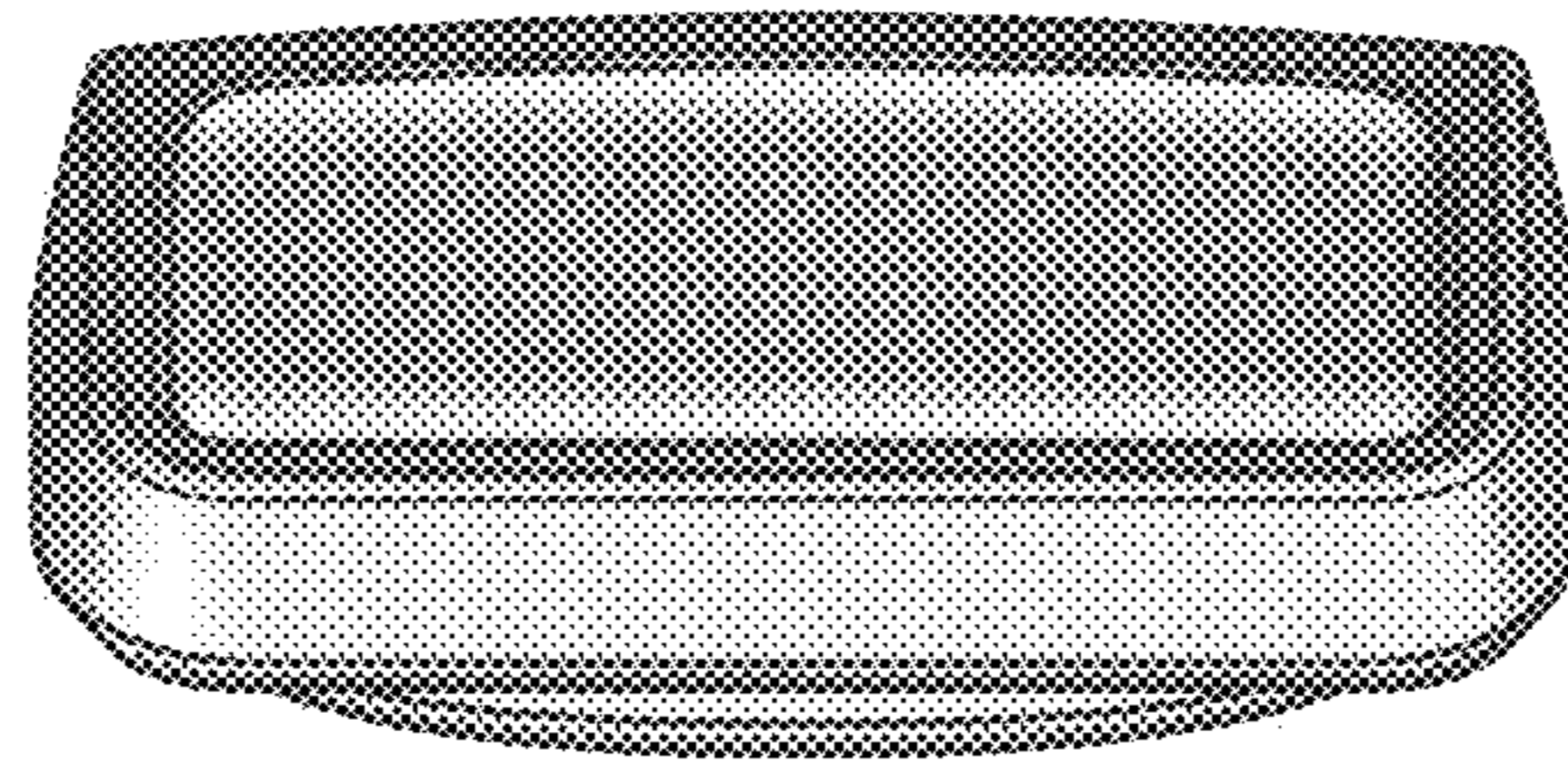


FIG. 11

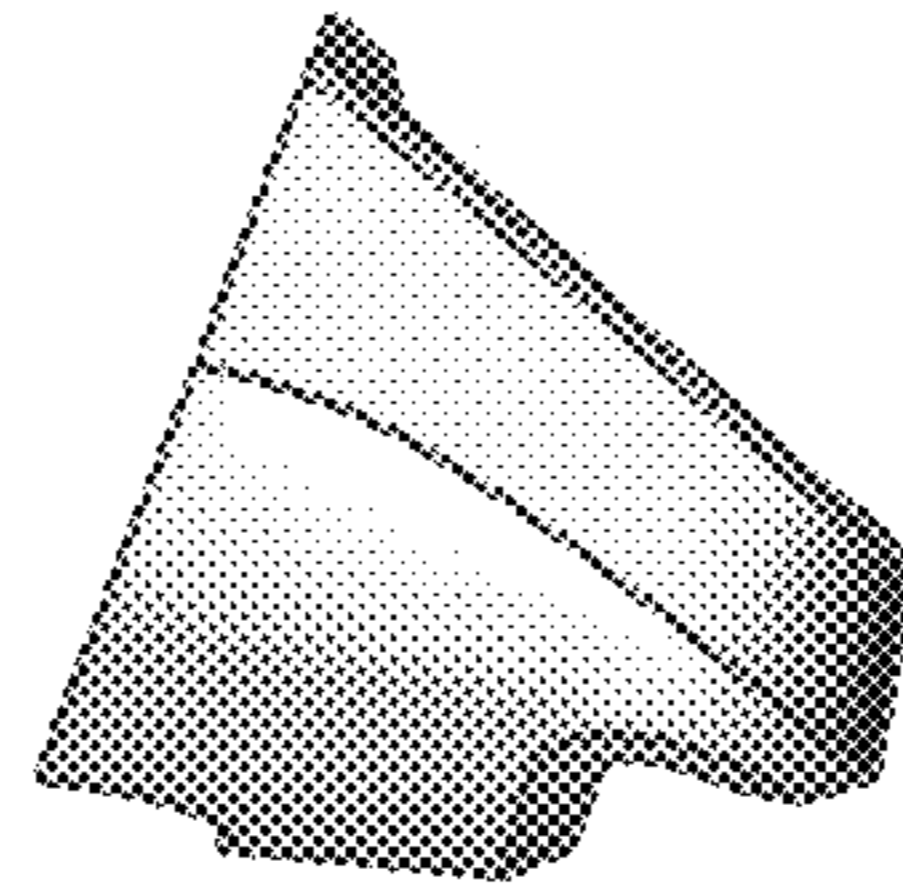


FIG. 12

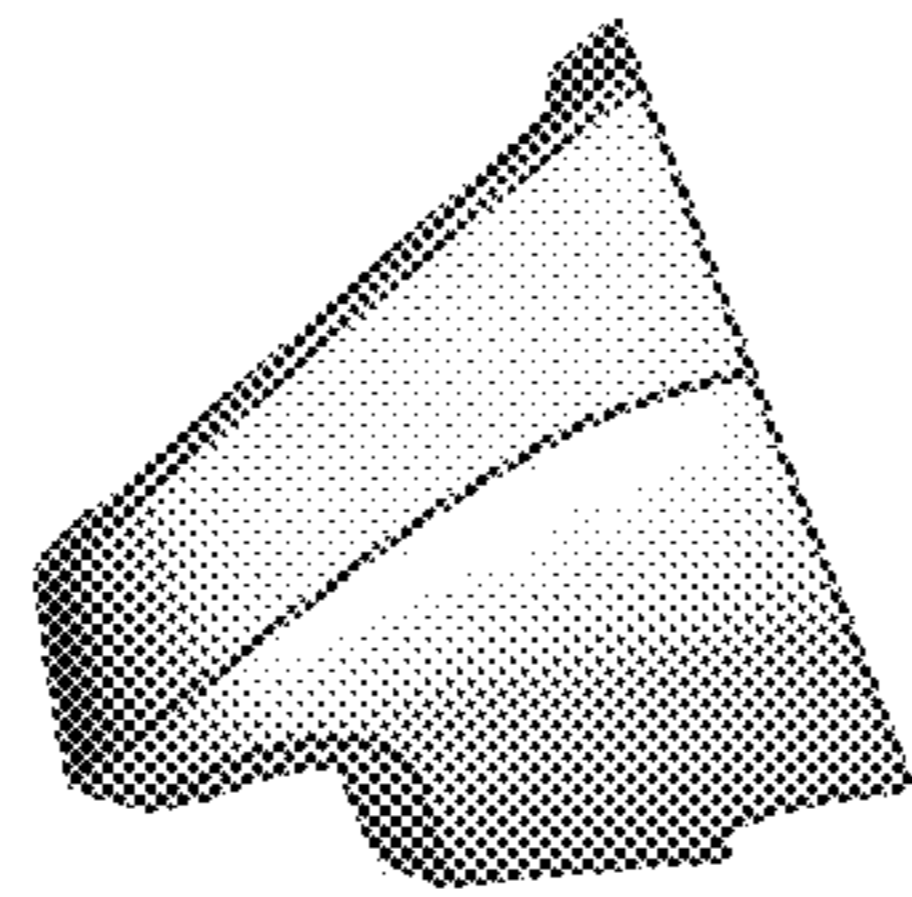


FIG. 13

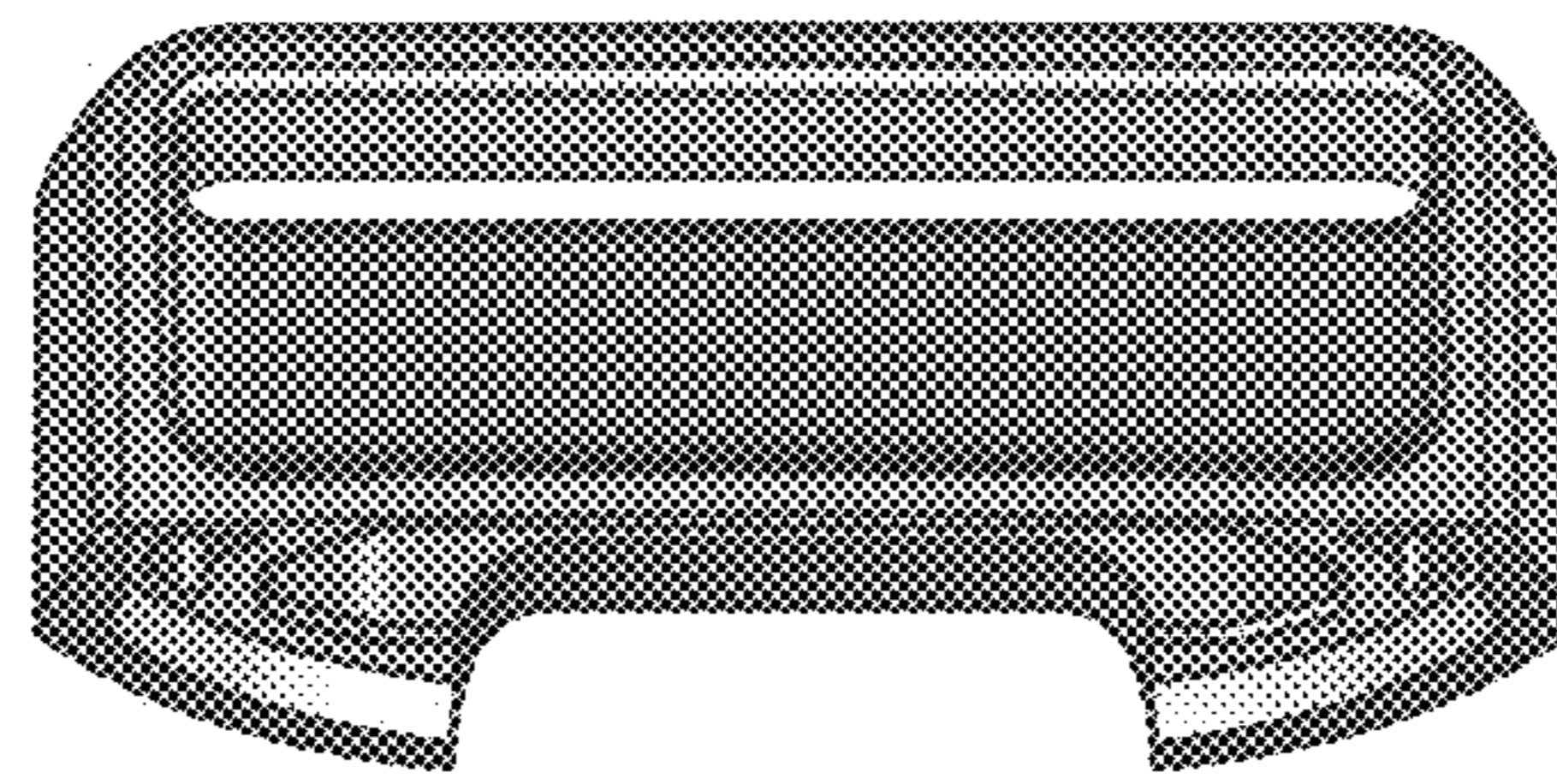


FIG. 14

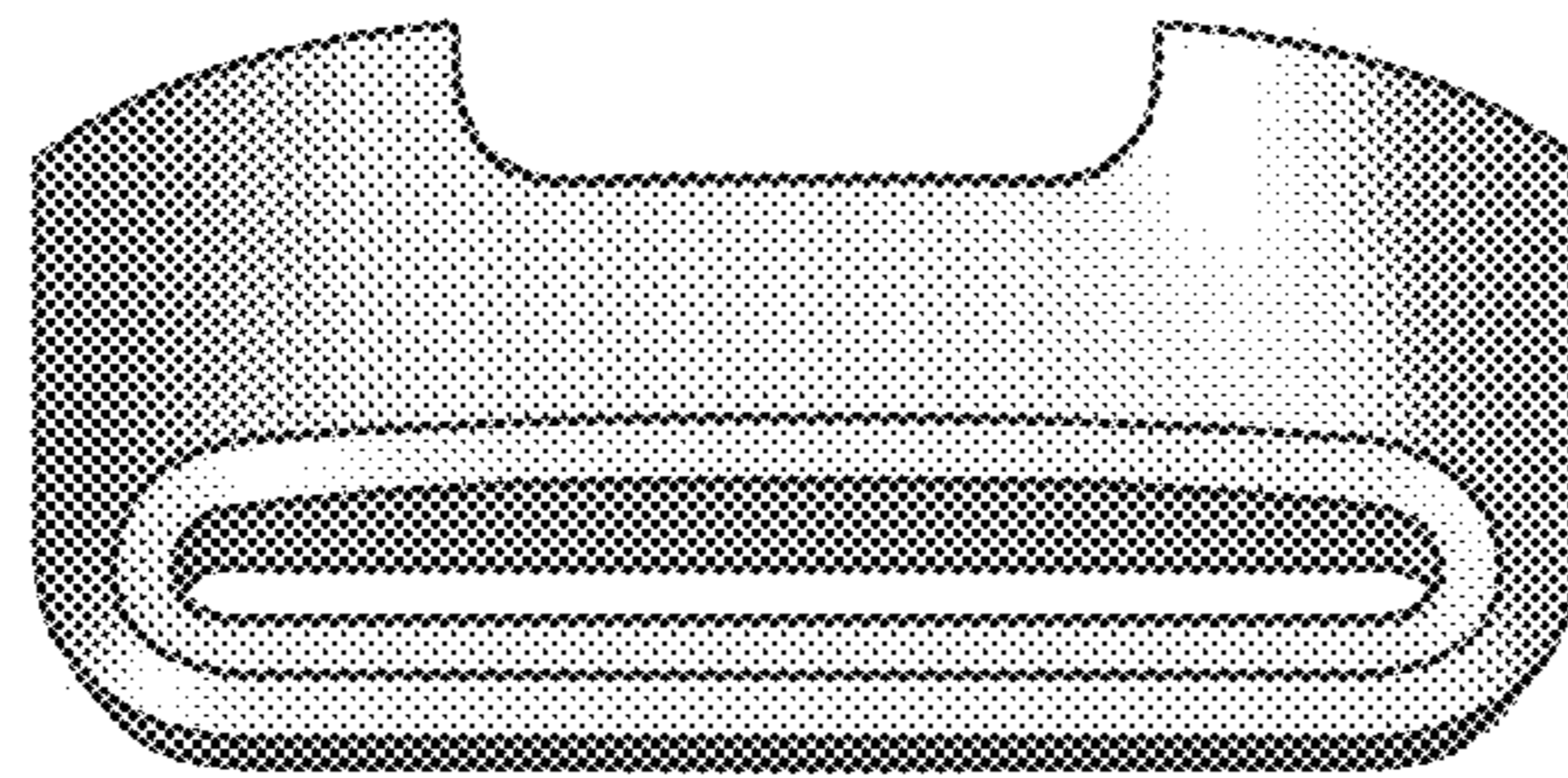


FIG. 15

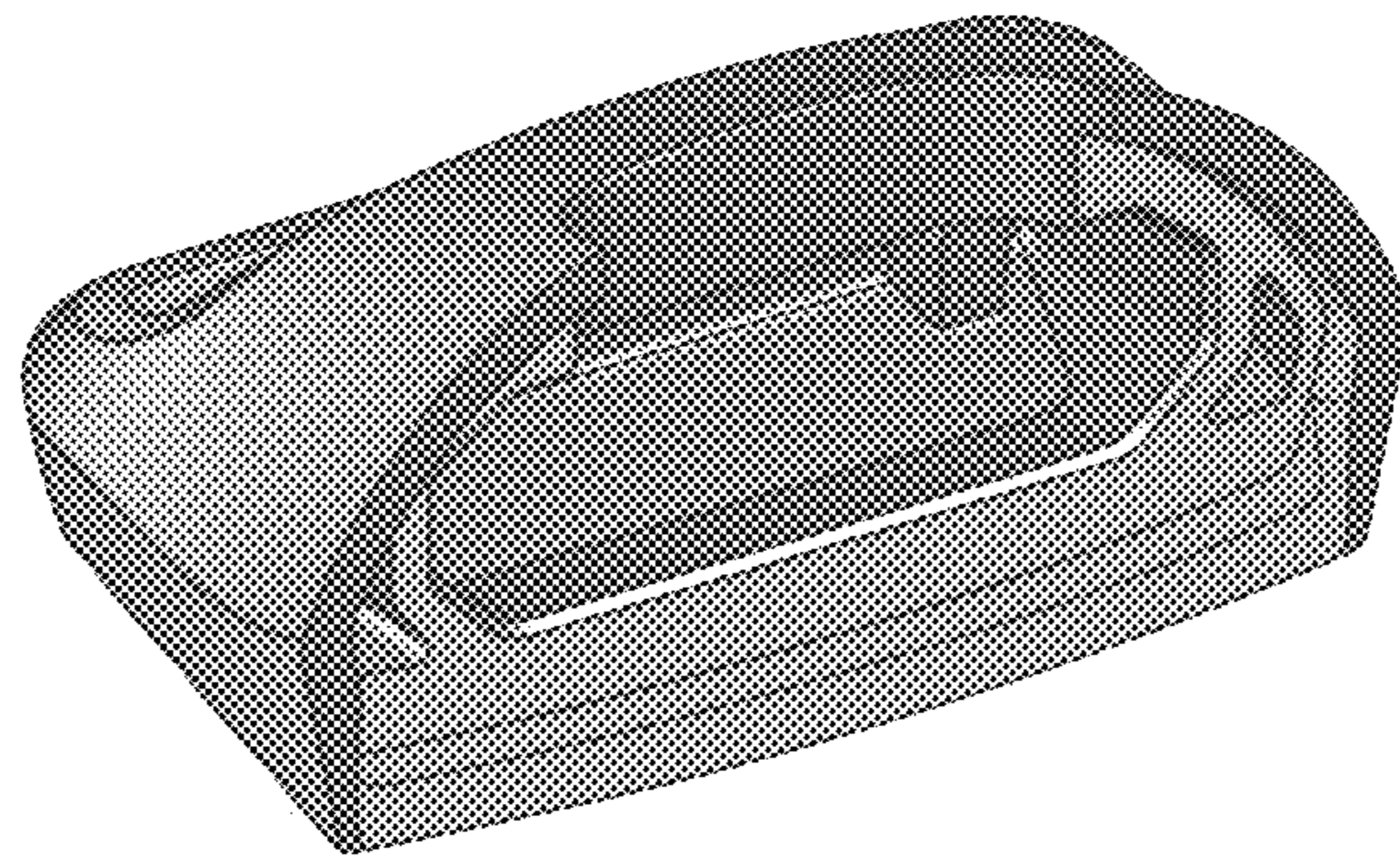


FIG. 16

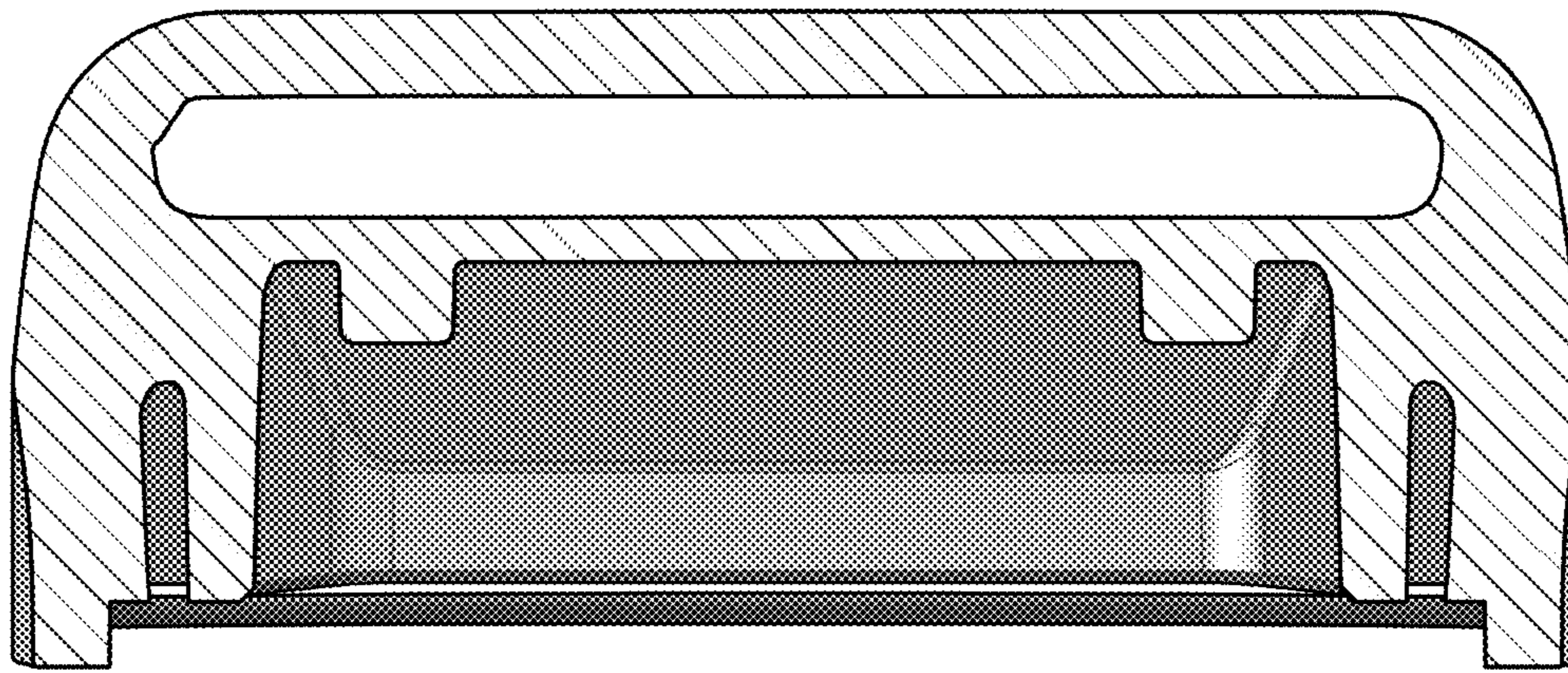


FIG. 17

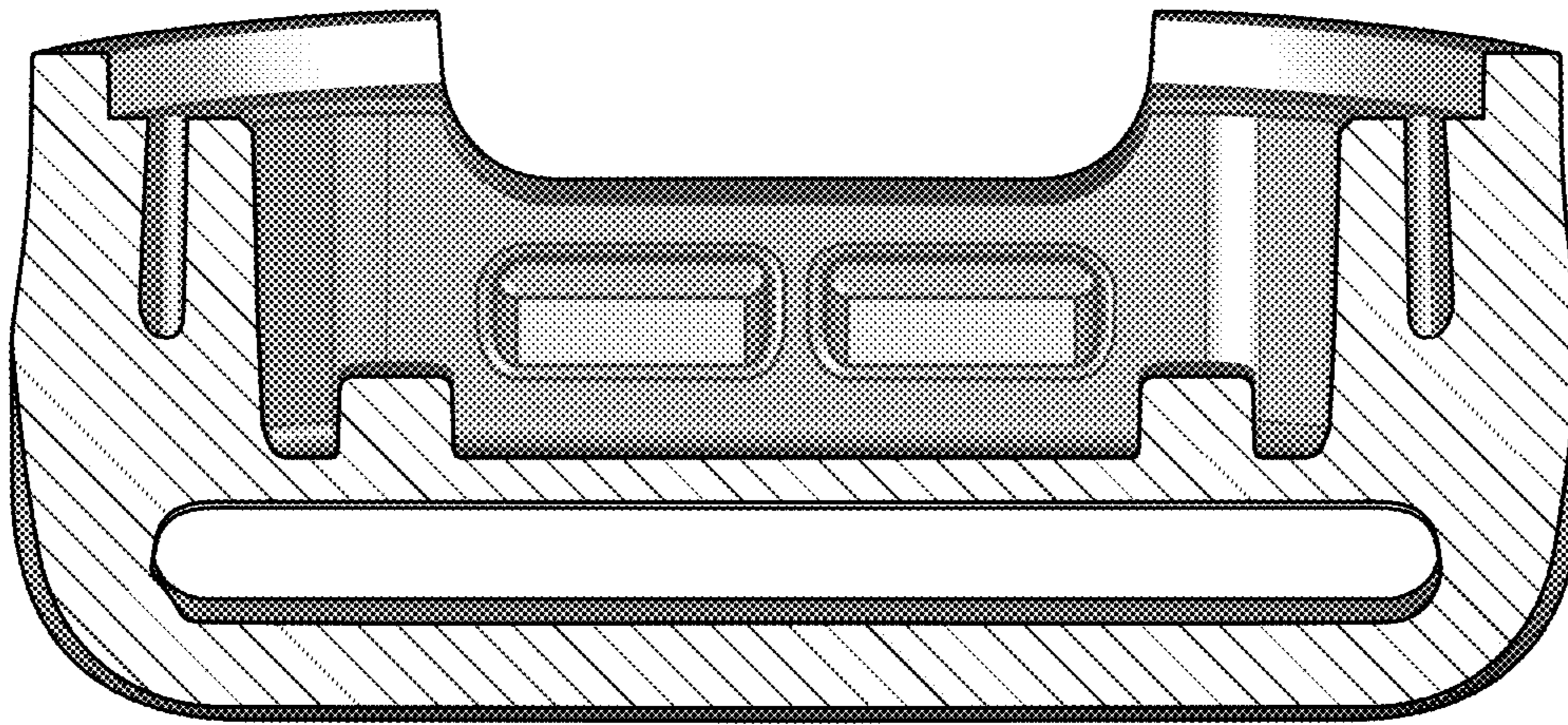


FIG. 18

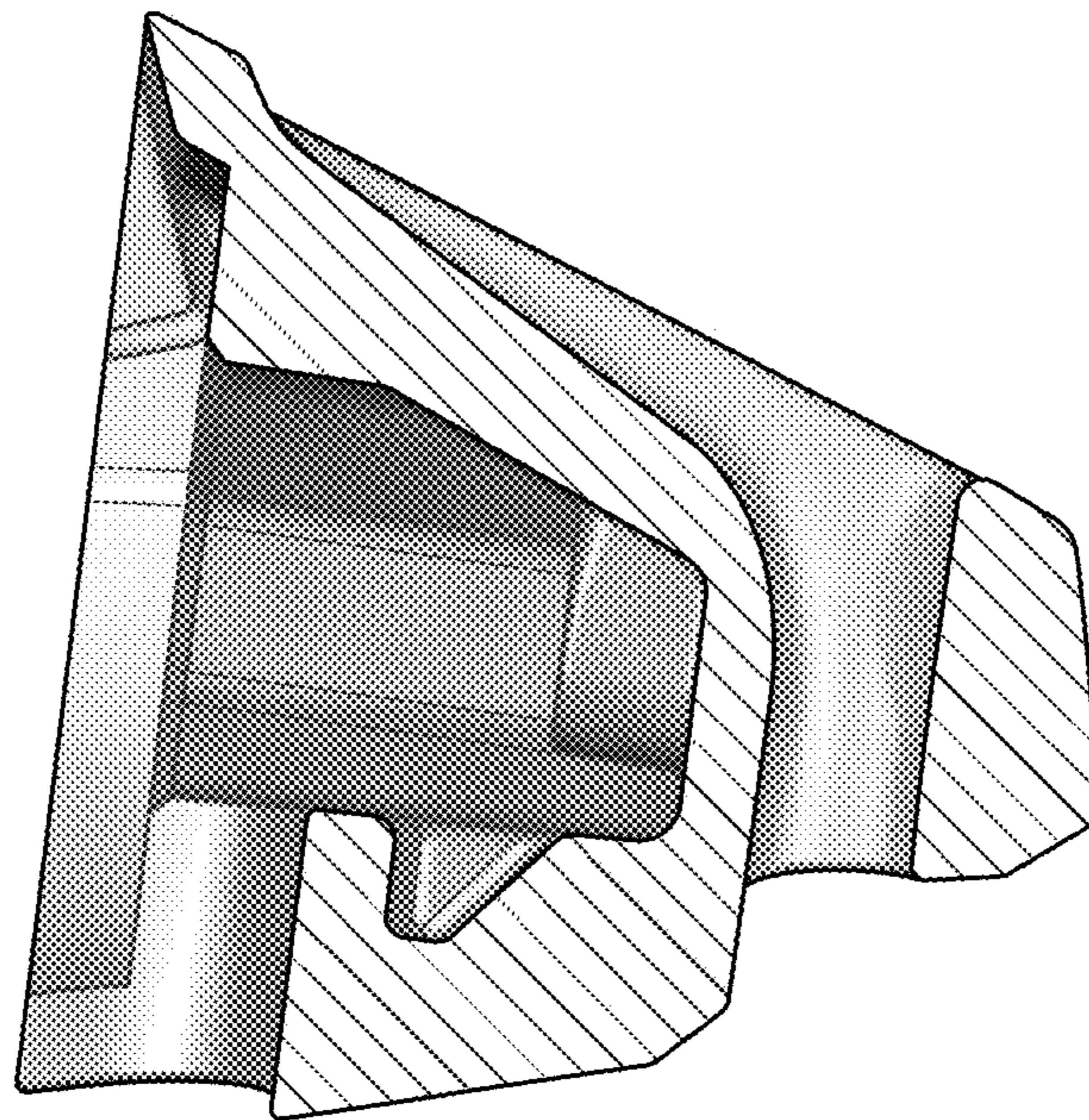


FIG. 19