



US00D858516S

(12) **United States Design Patent** (10) **Patent No.:** **US D858,516 S**
Kang et al. (45) **Date of Patent:** **** Sep. 3, 2019**

(54) **PAIR OF REMOVABLE BANDS FOR A WATCH BODY**

(71) Applicant: **Fitbit, Inc.**, San Francisco, CA (US)
(72) Inventors: **Yu Chuan Kang**, Taipei (TW); **Derek Jenchia Loh**, San Carlos, CA (US); **Benjamin Patrick Robert Jean Riot**, San Francisco, CA (US); **Jeffrey Andrew Fisher**, Mountain View, CA (US); **Patrick James Markan**, San Francisco, CA (US); **Stephen Ronald Smilovitz**, Belmont, CA (US)

(73) Assignee: **Fitbit, Inc.**, San Francisco, CA (US)

(**) Term: **15 Years**

(21) Appl. No.: **29/664,606**

(22) Filed: **Sep. 26, 2018**

Related U.S. Application Data

(63) Continuation of application No. 29/645,397, filed on Apr. 25, 2018.

(51) **LOC (12) Cl.** **14-02**

(52) **U.S. Cl.**
USPC **D14/344; D24/186**

(58) **Field of Classification Search**
USPC .. D14/138 R, 144, 341, 344, 358, 388, 218;
D10/30-39, 70, 98; D11/3, 4, 26, 93-94,
(Continued)

(56) **References Cited**

U.S. PATENT DOCUMENTS

134,735 A 1/1873 Cornell
D141,753 S 7/1945 Du Bois
(Continued)

FOREIGN PATENT DOCUMENTS

CN 203407616 U 1/2014
CN 104257043 A 1/2015
(Continued)

OTHER PUBLICATIONS

Fitbit Charge 3 leak hints at massive changes, posted Aug. 14, 2018, [retrieved Jan. 29, 2019]. Retrieved from Internet, <URL: https://www.slashgear.com/fitbit-charge-3-leak-hints-at-massive-changes-14541228/>.*

(Continued)

Primary Examiner — Barbara Fox

Assistant Examiner — Kristin E Reed

(74) *Attorney, Agent, or Firm* — Polson Intellectual Property Law, PC; Margaret Polson

(57) **CLAIM**

The ornamental design for a pair of removable bands for a watch body, as shown and described.

DESCRIPTION

FIG. 1 is a top, right side isometric view of a pair of removable bands for a watch body showing our design.

FIG. 2 is a bottom plan view of FIG. 1.

FIG. 3 is a right side elevation view of FIG. 1.

FIG. 4 is a left side elevation view of FIG. 1.

FIG. 5 is a front side elevation view of FIG. 1.

FIG. 6 is a back side elevation view of FIG. 1.

FIG. 7 is a close-up side elevation view of the attachment surface of FIG. 1.

FIG. 8 is an isometric view of FIG. 7.

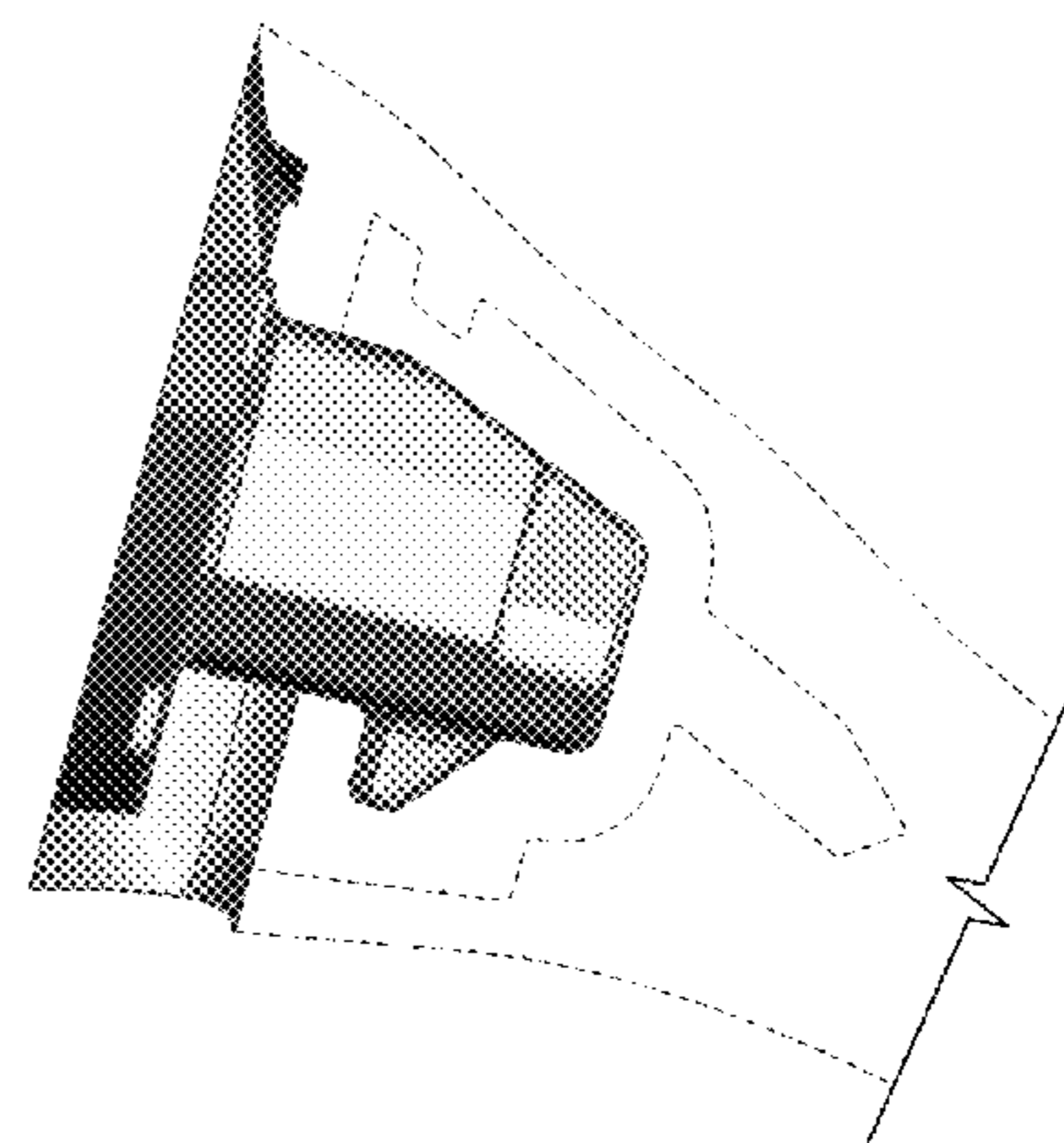
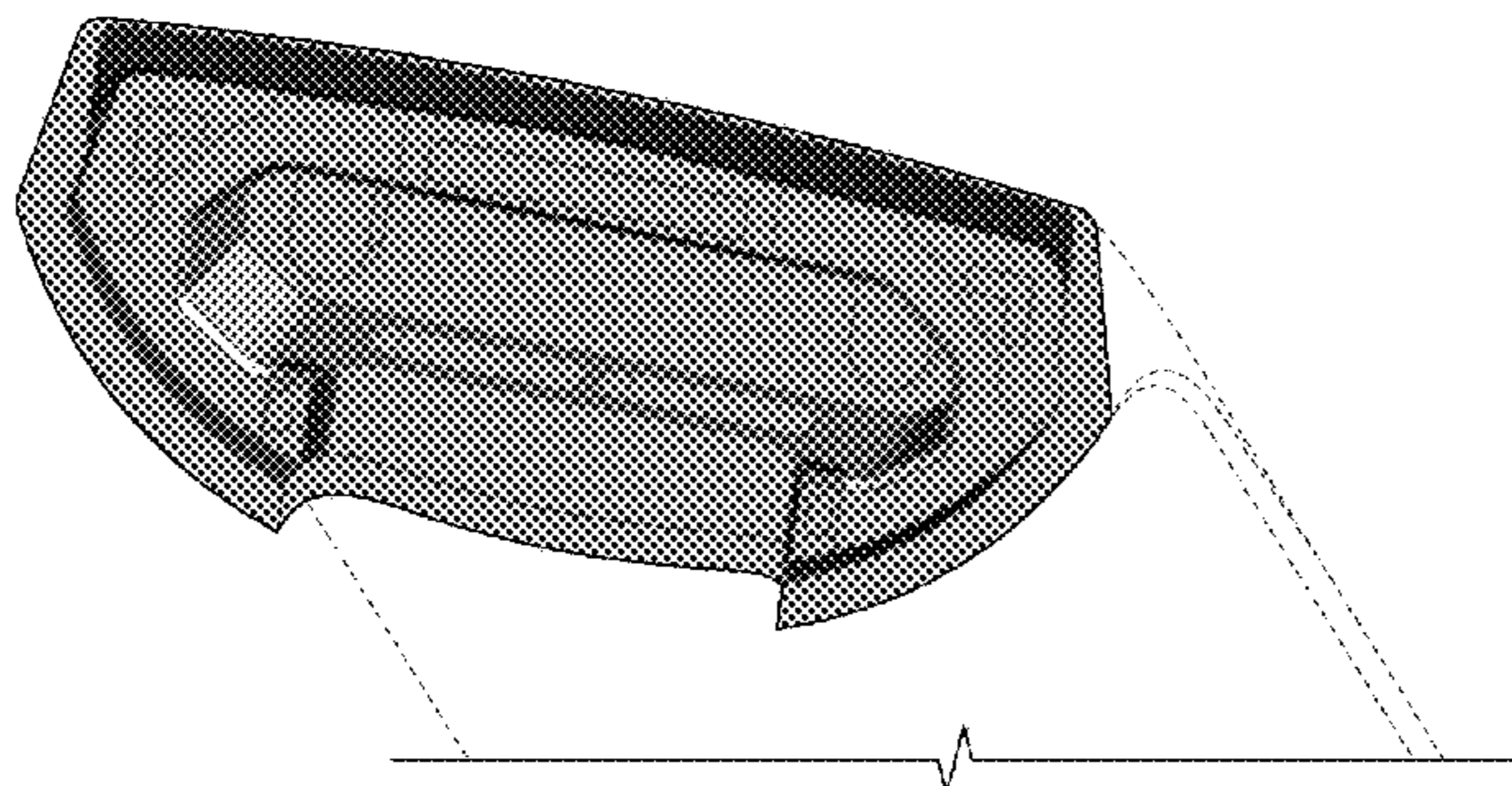
FIG. 9 is a cross sectional view taken along line 9-9 of FIG. 7 directionally upward.

FIG. 10 is a cross sectional view taken along line 10-10 of FIG. 7 directionally downward; and,

FIG. 11 is a cross sectional view taken along line 11-11 of FIG. 7.

The features shown in broken line in the drawings depict environmental subject matter only and form no part of the claimed design.

1 Claim, 11 Drawing Sheets



(58) **Field of Classification Search**

USPC D11/78.1, 79, 86; D24/167, 169,
D24/186-187, 164
CPC A41D 1/002; A41D 19/0034; G06F 1/04;
G06F 1/08; G06F 1/10; G06F 1/14; G06F
1/1626; G06F 1/1628; G06F 1/163; G06F
1/1635; G06F 1/3203; G06Q 20/10;
G06Q 20/12; G06Q 20/108; G06Q
20/145; H04B 1/3833; H04B 1/385;
H04B 1/3888; H04M 1/02; H04M 1/03;
H04M 1/04; H04M 1/05; H04M 1/667;
H04M 1/6058; Y02B 60/1217

See application file for complete search history.

(56)

References Cited

U.S. PATENT DOCUMENTS

D221,295 S 7/1971 Poon
D221,296 S 7/1971 Poon
D244,707 S 6/1977 Tiep
4,417,821 A 11/1983 Herchenbach
D285,422 S 9/1986 Grimes
D314,527 S 2/1991 Kaneko
D324,340 S 3/1992 Houlihan
D324,341 S 3/1992 Houlihan
D327,440 S 6/1992 Galli
D345,926 S 4/1994 Houlihan
D556,194 S 11/2007 Rambosek et al.
D559,723 S 1/2008 Kraus et al.
D580,277 S 11/2008 Brady et al.
7,509,712 B2 3/2009 Sima
7,575,368 B2 8/2009 Guillaume
D602,386 S 10/2009 Ueda et al.
D621,808 S 8/2010 Kim
D637,094 S 5/2011 Cobbett et al.
D638,736 S 5/2011 Cobbett et al.
8,296,983 B2 10/2012 Padgett et al.
8,370,549 B2 2/2013 Burton et al.
D680,651 S 4/2013 Lumme et al.
D715,668 S 10/2014 Roush et al.
D718,647 S 12/2014 Roush et al.
D720,074 S 12/2014 Suvilaakso et al.
8,954,135 B2 2/2015 Yuen et al.
D724,479 S 3/2015 Cerrato
D725,533 S 3/2015 Riddiford et al.
8,967,437 B2 3/2015 Wilson
D726,052 S 4/2015 Henning
D726,056 S 4/2015 Riddiford et al.
D727,183 S 4/2015 Park et al.
D727,759 S 4/2015 Martinez et al.
D729,646 S 5/2015 Phillips et al.
D729,648 S 5/2015 Phillips et al.
D729,649 S 5/2015 Phillips et al.
D729,651 S 5/2015 Nuovo et al.
D729,657 S 5/2015 Behar
D729,658 S 5/2015 Behar
D730,211 S * 5/2015 Behar D10/70
9,044,149 B2 6/2015 Richards et al.
9,064,391 B2 6/2015 Vardi et al.
D735,068 S * 7/2015 Garcia Pla D11/3
D737,158 S 8/2015 Akana et al.
9,095,311 B2 8/2015 Hidai et al.
D738,237 S 9/2015 Song
D738,759 S 9/2015 Behar
D740,702 S 10/2015 Behar
9,189,023 B2 11/2015 Lim
D745,513 S 12/2015 Jung et al.
D745,514 S 12/2015 Jung et al.
D745,868 S 12/2015 Choi et al.
D746,477 S 12/2015 Cha et al.
D747,714 S 1/2016 Erbeus
D749,002 S 2/2016 Park et al.
9,256,253 B2 2/2016 Peek et al.

D750,622 S 3/2016 Chen et al.
D751,068 S 3/2016 Erbeus
D751,069 S 3/2016 Choi et al.
D751,549 S 3/2016 Park et al.
D752,046 S 3/2016 Jun
9,285,830 B2 3/2016 Alcazar
D756,832 S 5/2016 Riddiford et al.
D757,567 S * 5/2016 Henderson D10/30
D757,574 S 5/2016 Song
D757,583 S 5/2016 Roush et al.
D757,721 S 5/2016 Dallmeyer et al.
D759,516 S 6/2016 Ling et al.
D759,523 S 6/2016 Ling et al.
D759,622 S 6/2016 Dahlberg
D759,826 S 6/2016 Martinez et al.
D761,140 S 7/2016 Wimmer, IV
D761,675 S 7/2016 Thaveeprungsiporn et al.
D762,210 S 7/2016 Lee et al.
D763,719 S 8/2016 Nielsen et al.
D765,072 S 8/2016 Kwon
9,498,161 B1 11/2016 Sunden et al.
D777,590 S 1/2017 Nielsen et al.
9,551,608 B2 1/2017 Cho et al.
D787,960 S 5/2017 Park et al.
D788,608 S 6/2017 Houin et al.
D788,609 S * 6/2017 Lenz D10/38
D789,822 S 6/2017 Akana et al.
D789,929 S 6/2017 Tan et al.
D790,365 S 6/2017 Nuovo et al.
D790,374 S 6/2017 Lean et al.
D791,634 S * 7/2017 Bang D11/3
D792,795 S 7/2017 Cerrato
D793,269 S 8/2017 Magniez et al.
D793,270 S 8/2017 Riddiford et al.
D795,719 S 8/2017 Lean et al.
9,735,823 B1 8/2017 VanDuyn et al.
9,743,695 B2 8/2017 Yoo
D796,368 S 9/2017 Lowe et al.
D799,990 S 10/2017 Behling
D800,109 S 10/2017 Rouillac et al.
D800,593 S * 10/2017 Ling D10/128
D802,453 S 11/2017 Page et al.
D806,589 S 1/2018 Le Bihan et al.
D806,880 S 1/2018 Henning
D807,219 S 1/2018 Ling et al.
D807,777 S 1/2018 Lowe et al.
D809,144 S 1/2018 Wu
9,879,823 B2 1/2018 Oberpriller et al.
D809,955 S 2/2018 Ling et al.
D813,229 S 3/2018 Ling et al.
D813,695 S 3/2018 Nielsen et al.
D821,245 S 6/2018 Lowe et al.
D821,247 S * 6/2018 Lean D11/3
D822,526 S 7/2018 Len et al.
D826,744 S 8/2018 Liu
D826,745 S 8/2018 Liu
D829,123 S 9/2018 Nielsen et al.
D829,330 S 9/2018 Zheng
D831,643 S * 10/2018 Son D14/344
10,111,504 B2 10/2018 Hundt et al.
D834,439 S * 11/2018 Monachon D11/3
D836,478 S * 12/2018 Wright D11/3
10,168,736 B2 * 1/2019 Lee G04B 37/1486
2015/0102075 A1 4/2015 Shibuya et al.
2015/0186609 A1 7/2015 Utter, II
2016/0072554 A1 * 3/2016 Sharma H04B 5/0031
455/41.1
2016/0223992 A1 8/2016 Seo et al.
2017/0020453 A1 1/2017 Nakagawa et al.
2017/0065224 A1 3/2017 Rahko et al.
2017/0086692 A1 3/2017 Freschl et al.
2017/0172499 A1 6/2017 Yoo
2017/0224218 A1 8/2017 Tanaka et al.
2017/0311884 A1 11/2017 Takahashi et al.
2018/0132574 A1 5/2018 Rittenhouse
2018/0132738 A1 5/2018 Choi et al.
2018/0235327 A1 8/2018 Bayley et al.

(56)

References Cited

U.S. PATENT DOCUMENTS

2018/0289116 A1 10/2018 McCray et al.
2018/0294554 A1* 10/2018 Xu A61B 5/6831

FOREIGN PATENT DOCUMENTS

CN	204347450	U	5/2015
CN	104665130	A	6/2015
CN	204467157	U	7/2015
CN	105795625	A	7/2016
CN	205696116	U	11/2016
CN	205696118	U	11/2016
CN	205697726	U	11/2016
CN	206101834	U	4/2017
CN	206137393	U	5/2017
CN	206150625	U	5/2017
CN	206165989	U	5/2017
CN	206175396	U	5/2017
CN	206433908	U	8/2017
CN	107594777	A	1/2018
CN	206866760	U	1/2018
CN	207118680	U	3/2018
CN	207266646	U	4/2018
CN	207341307	U	5/2018
CN	207341311	U	5/2018
CN	207544504	U	6/2018
CN	207613311	U	7/2018
CN	207767666	U	8/2018
GB	2522510	A	7/2015
JP	3173930	U	3/2012
JP	2017205260	A	11/2017
WO	2016188106	A1	1/2016
WO	2017121662	A1	7/2017
WO	2018059386	A1	4/2018

OTHER PUBLICATIONS

New Fitbit is a waterproof smartwatch in disguise, posted Aug. 28, 2018, [retrieved Jan. 29, 2019]. Retrieved from Internet, <URL: https://www.fox5vegas.com/archives/new-fitbit-is-a-waterproof-smartwatch-in-disguise/article_277bf36f-2e79-5b48-b490-1abce7603fae.html >.*

U.S. Appl. No. 29/635,224, filed Jan. 29, 2018, applicant Fitbit, Inc.
U.S. Appl. No. 29/663,373, filed Sep. 18, 2018, applicant Fitbit, Inc.
U.S. Appl. No. 29/663,375, filed Sep. 14, 2018, applicant Fitbit, Inc.
U.S. Appl. No. 29/664,592, filed Sep. 26, 2018, applicant Fitbit, Inc.
U.S. Appl. No. 29/645,397, filed Apr. 25, 2018, applicant Fitbit, Inc.
U.S. Appl. No. 29/664,595, filed Sep. 26, 2018, applicant Fitbit, Inc.
U.S. Appl. No. 29/664,626, filed Sep. 26, 2018, applicant Fitbit, Inc.
U.S. Appl. No. 29/664,612, filed Sep. 26, 2018, applicant Fitbit, Inc.
U.S. Appl. No. 29/664,615, filed Sep. 26, 2018, applicant Fitbit, Inc.
U.S. Appl. No. 29/572,967, filed Aug. 1, 2016, applicant Fitbit, Inc.
U.S. Appl. No. 29/593,260, filed Feb. 7, 2017, applicant Fitbit, Inc.
U.S. Appl. No. 29/593,261, filed Feb. 7, 2017, applicant Fitbit, Inc.
U.S. Appl. No. 29/596,216, filed Mar. 6, 2017, applicant Fitbit, Inc.
U.S. Appl. No. 29/602,541, filed May 1, 2017, applicant Fitbit, Inc.
U.S. Appl. No. 29/625,052, filed Nov. 7, 2017, applicant Fitbit, Inc.
U.S. Appl. No. 29/520,607, filed Mar. 16, 2015, applicant Fitbit, Inc.
U.S. Appl. No. 29/524,027, filed Apr. 15, 2015, applicant Fitbit, Inc.
U.S. Appl. No. 29/541,368, filed Oct. 2, 2015, applicant Fitbit, Inc.
U.S. Appl. No. 29/568,588, filed Jun. 20, 2016, applicant Fitbit, Inc.
U.S. Appl. No. 29/621,239, filed Oct. 5, 2017, applicant Fitbit, Inc.
U.S. Appl. No. 29/614,464, filed Aug. 18, 2017, applicant Fitbit, Inc.
U.S. Appl. No. 29/548,501, filed Dec. 14, 2015, applicant Fitbit, Inc.

U.S. Appl. No. 29/564,199, filed May. 11, 2016, applicant Fitbit, Inc.
U.S. Appl. No. 29/614,479, filed Aug. 18, 2017, applicant Fitbit, Inc.
U.S. Appl. No. 29/522,853, filed Apr. 2, 2015, applicant Fitbit, Inc.
U.S. Appl. No. 29/522,858, filed Apr. 2, 2015, applicant Fitbit, Inc.
U.S. Appl. No. 29/540,741, filed Sep. 28, 2015, applicant Fitbit, Inc.
ACBEE Replacement watch band with buckle for Fitbit ALTA for sale at www.amazon.com, Website accessed Nov. 7, 2018.
Perfit rubber watch band with double prong buckle and spring bars for sale at www.amazon.com. Website accessed Nov. 7, 2018.
Waterproof diving silicone rubber strap with clasp for sale at www.aliexpress.com (Alibaba Group). Website accessed Feb. 7, 2018.
Damusy Fitness Tracker Smart Band for sale at www.activityandfitness trackers.com. Website accessed Nov. 10, 2018.
Volemer F09HR Smart Band Fitness Tracker for sale at www.epaky.com. Website accessed Nov. 10, 2018.
“First Look: Fitbit announces new Fitbit Alta activity tracker”, published Feb. 3, 2016 on DC Rainmaker (www.dcrainmaker.com). Website accessed Nov. 10, 2018.
Fitbit Alta—for sale by Fitbit (<https://www.fitbit.com/alta>). Website accessed Mar. 27, 2017.
Fitbit Alta replacement bands—for sale at www.amazon.com. Website accessed Jul. 17, 2017.
Fitbit Alta review published Mar. 25, 2016 on CNet (www.cnet.com). Website accessed 2018-11-110.
Fitbit Charge 2 Heart Rate and Fitness Wristband for sale at www.amazon.co.uk. Website accessed Feb. 7, 2018.
Fitbit Flex Wireless Activity and Sleep Wristband for sale at www.amazon.com. Listed at least as early as Apr. 16, 2013.
Fitbit Ionic Accessory Band for sale at Nordstrom (<https://shop.nordstrom.com>). Website accessed Nov. 7, 2018.
Fitbit Alta HR Bands for sale at The Fitness Equipment Shop (www.thefitness equipments shop.com). Website accessed Nov. 17, 2018.
Luminox Replacement Rubber Watch Band Strap for sale at Walmart (www.walmart.com). Website accessed Nov. 7, 2018.
“MPOW DS-D6 Fitness Band Review” published Jan. 13, 2018 on Zero Air (www.zeroair.wordpress.com). Website accessed Nov. 10, 2018.
“Fitbit Product Teardown” on Pinterest, pinned from www.ifixit.com. Website accessed Feb. 27, 2017.
Pro Elite Medicine Ball by Power Systems (www.power-systems.com). Website accessed Feb. 7, 2018.
Replacement metal watch band Connector for Fitbit Alta/Fitbit Alta HR for sale at Banggood (www.banggood.com). Website accessed Nov. 10, 2018.
Citrine by the Stones Sol Forearm Band for sale at Shopbop (www.shopbop.com). Website accessed Nov. 11, 2018.
Gorjana Mia Wrap Cuff for sale at Shopbop (www.shopbop.com). Website accessed Nov. 11, 2018.
Marc by Marc Jacobs Engraved Turlock Leather Bangle Bracelet for sale at Shopbop (www.shopbop.com). Website accessed Nov. 11, 2018.
Monserat de Lucca Measuring Tape Bracelet for sale at Shopbop (www.shopbop.com). Website accessed Nov. 11, 2018.
Suppa G-Shock Strap Adapters, online at least as early as Dec. 13, 2013. Accessed Feb. 7, 2017.
Suunto Core watchband on Instagram. Accessed Feb. 7, 2017.
IGK Fitbit Alta Bands—replacement sport strap bands for Fitbit Alta for sale at Walmart (www.walmart.com). Website accessed Nov. 7, 2018.
Fintie for Gear S2 Watch Band Stainless Steel Metal Replacement Strap, for sale at www.amazon.com. Website accessed Apr. 24, 2019.

* cited by examiner

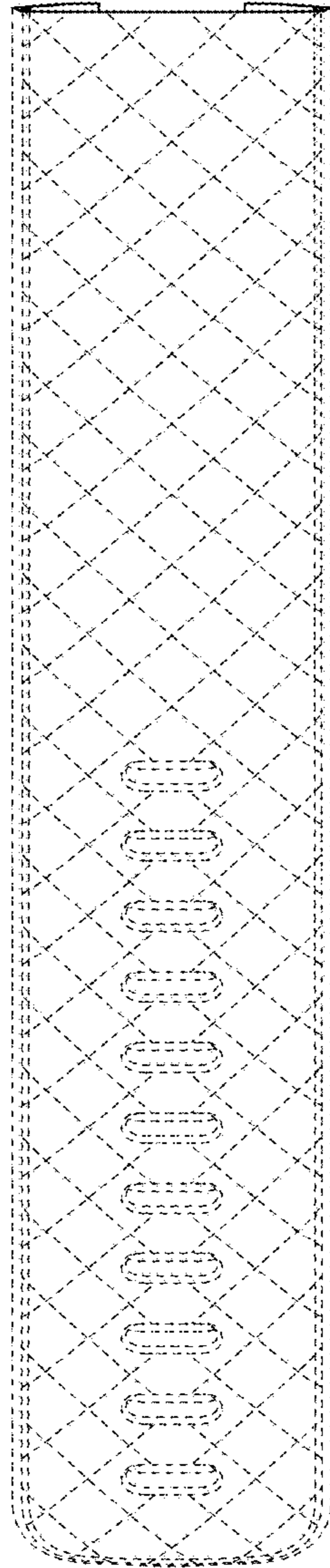


FIG. 1

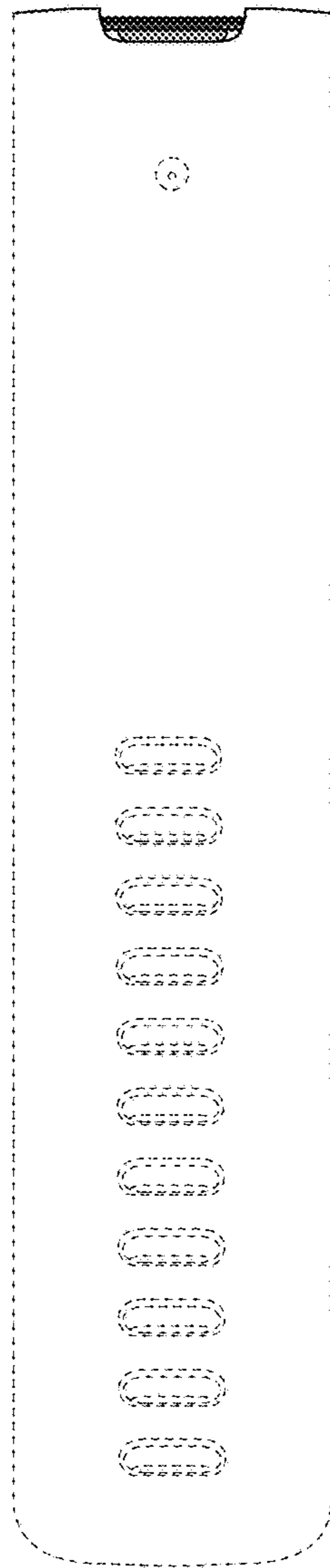


FIG. 2

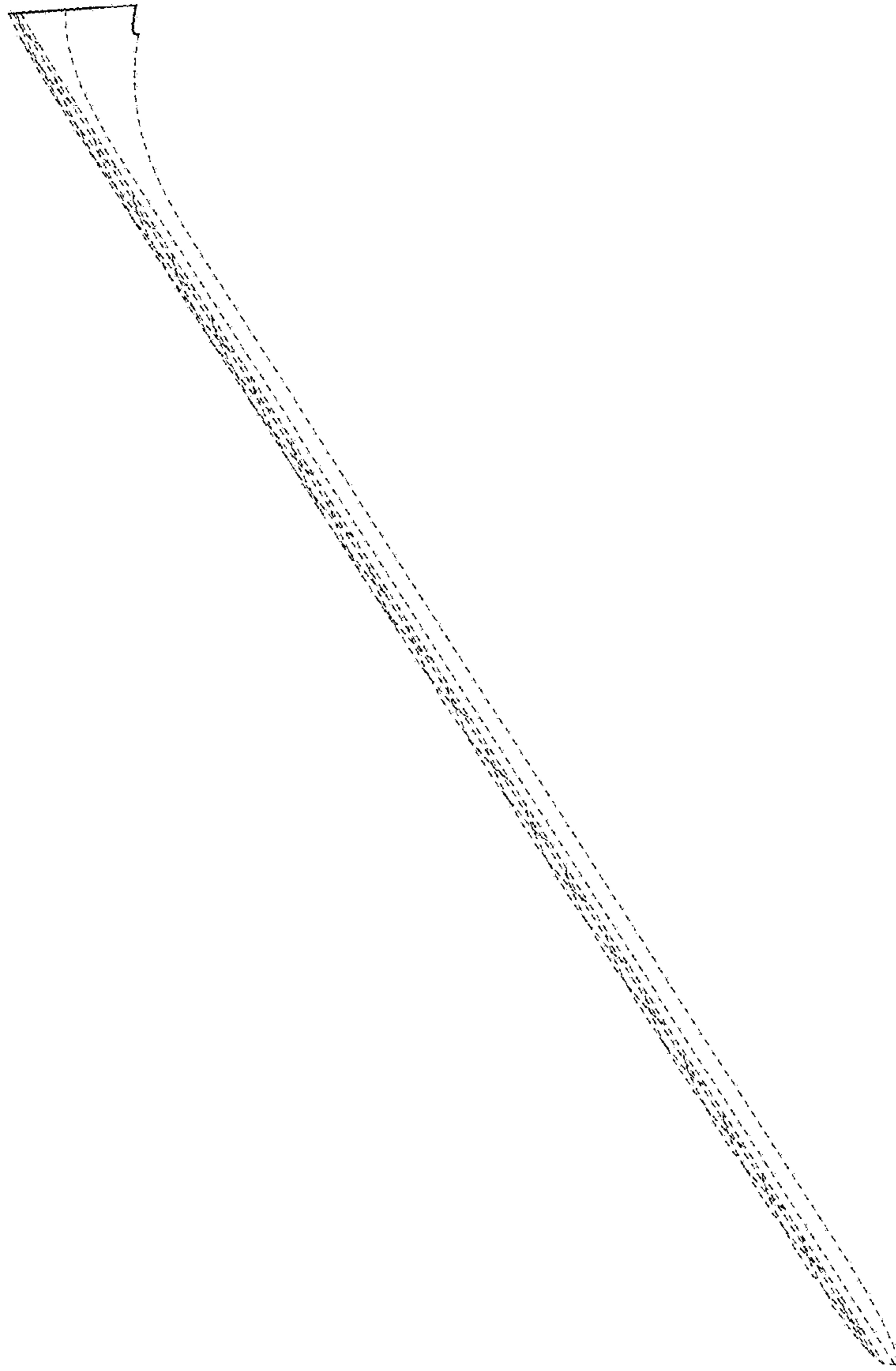


FIG. 3

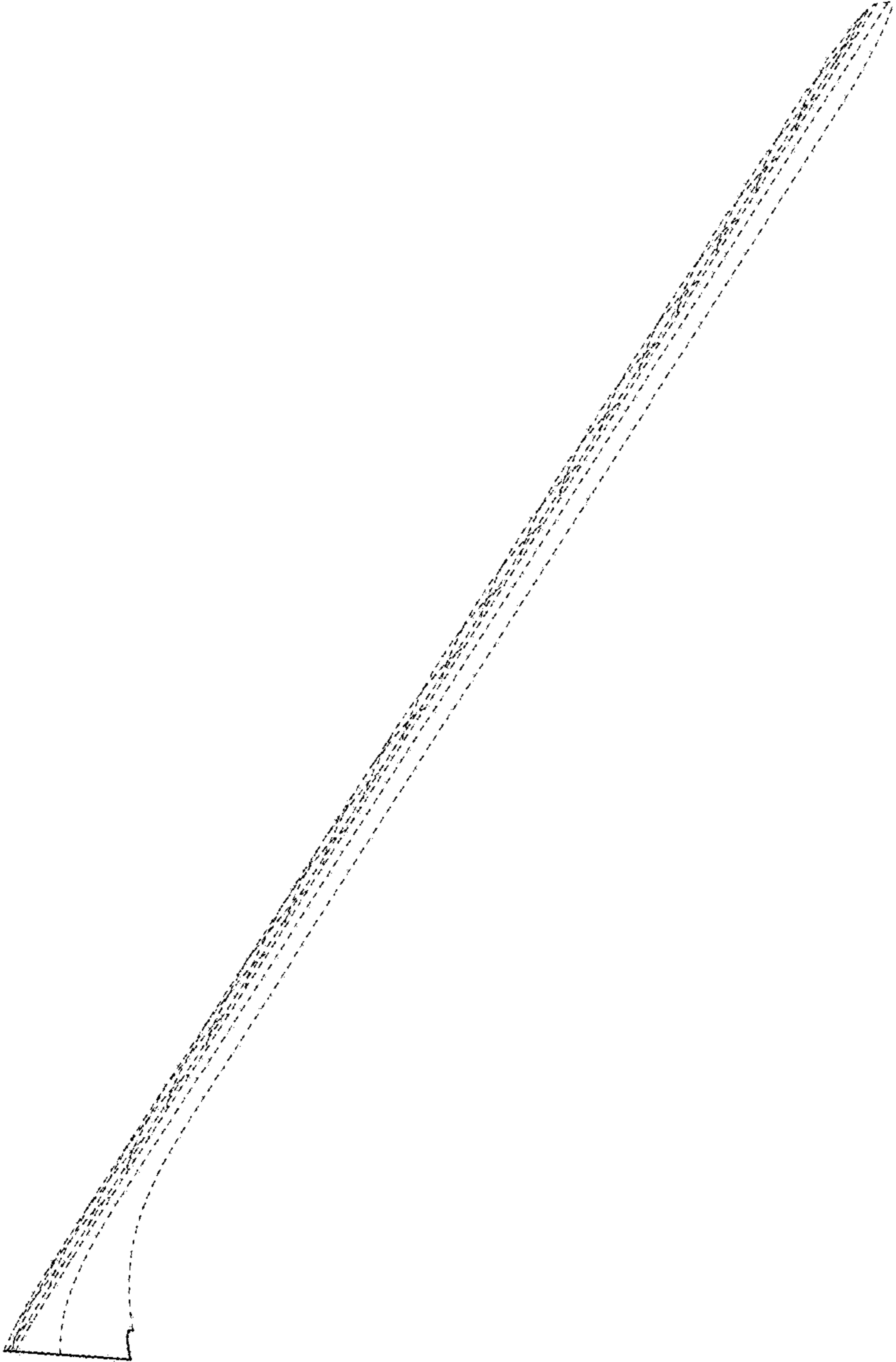


FIG. 4

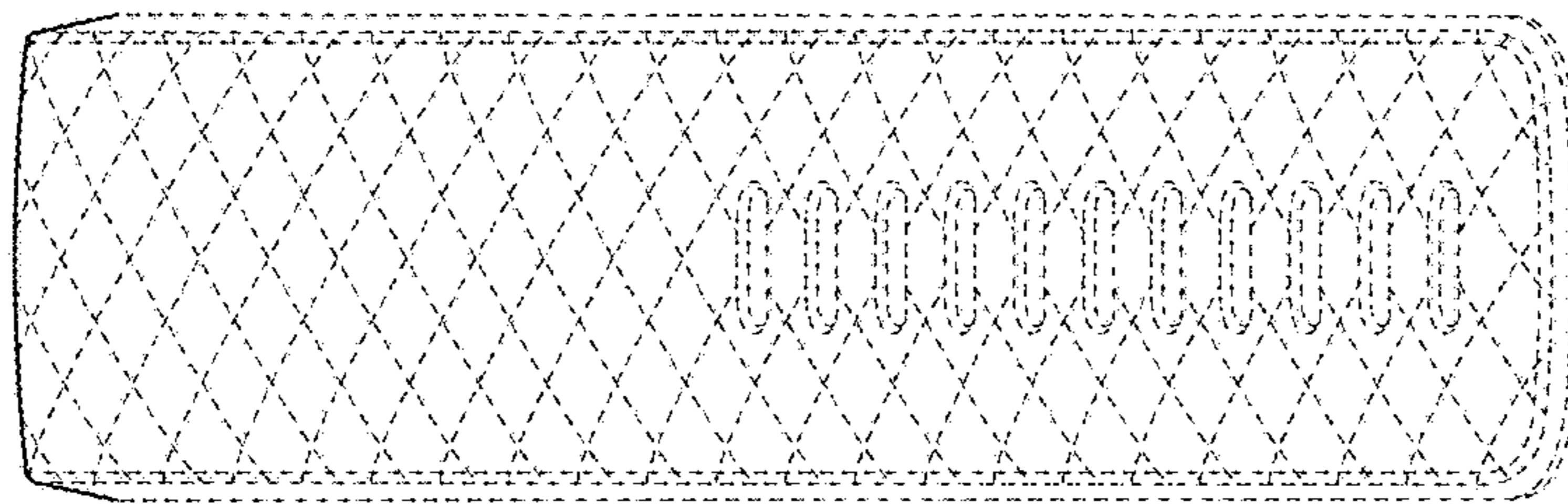


FIG. 5

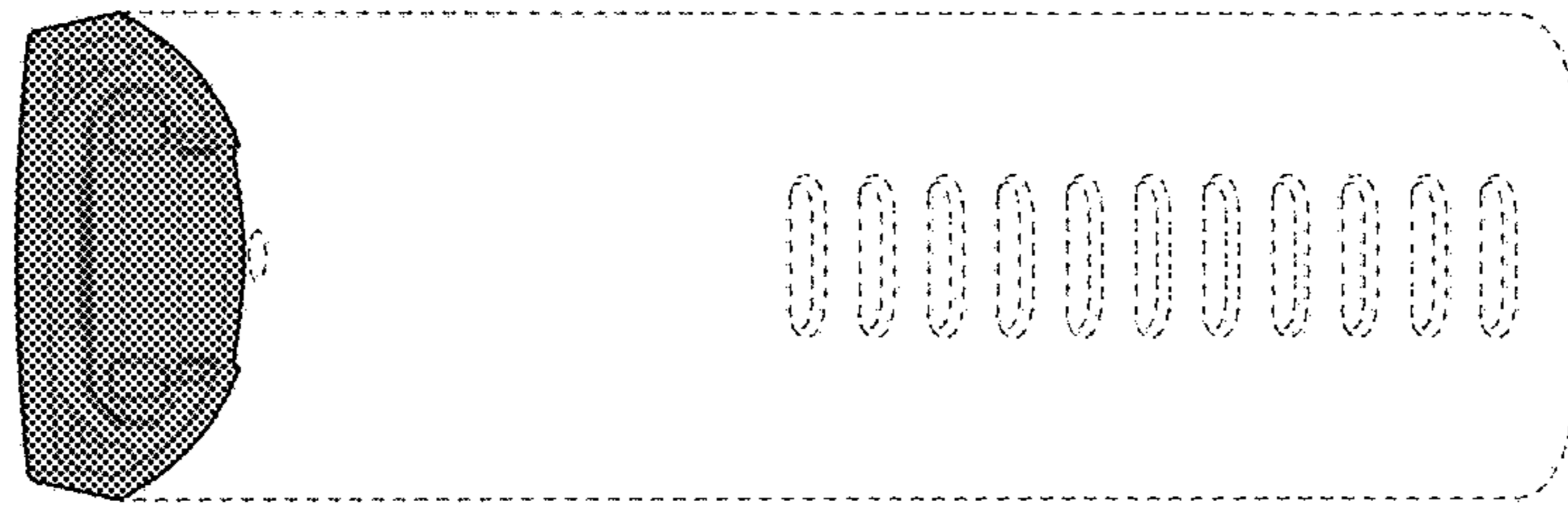


FIG. 6

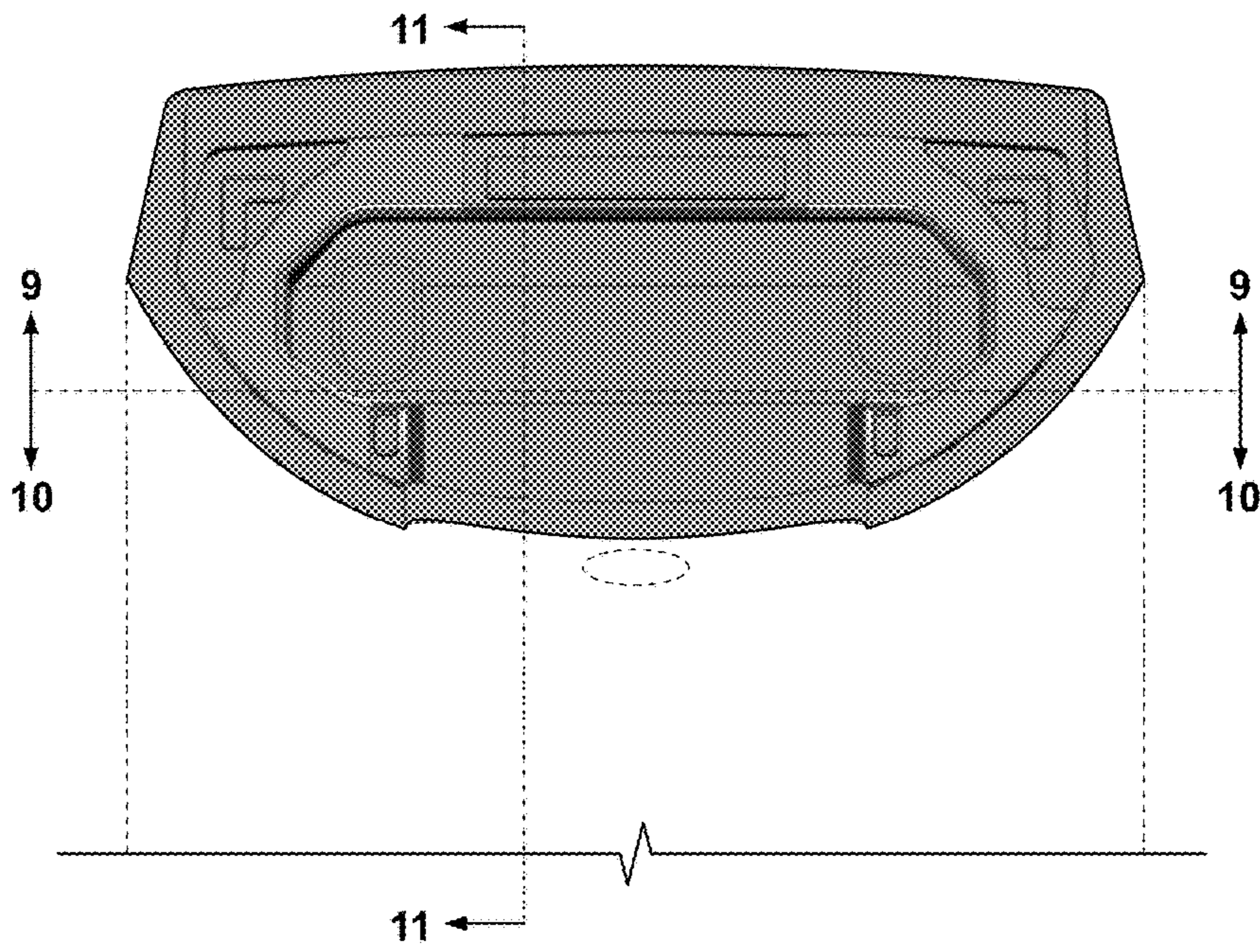


FIG. 7

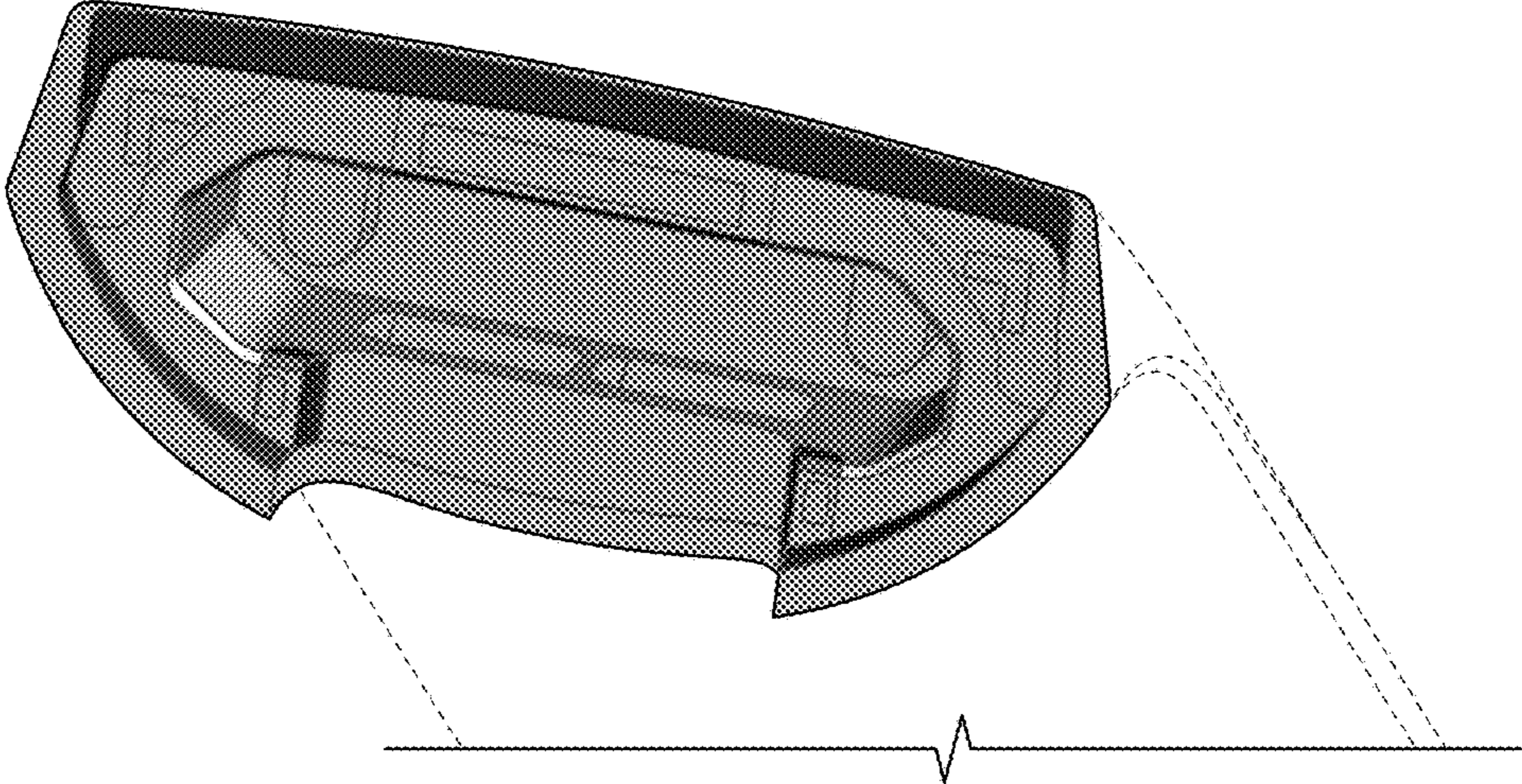


FIG. 8

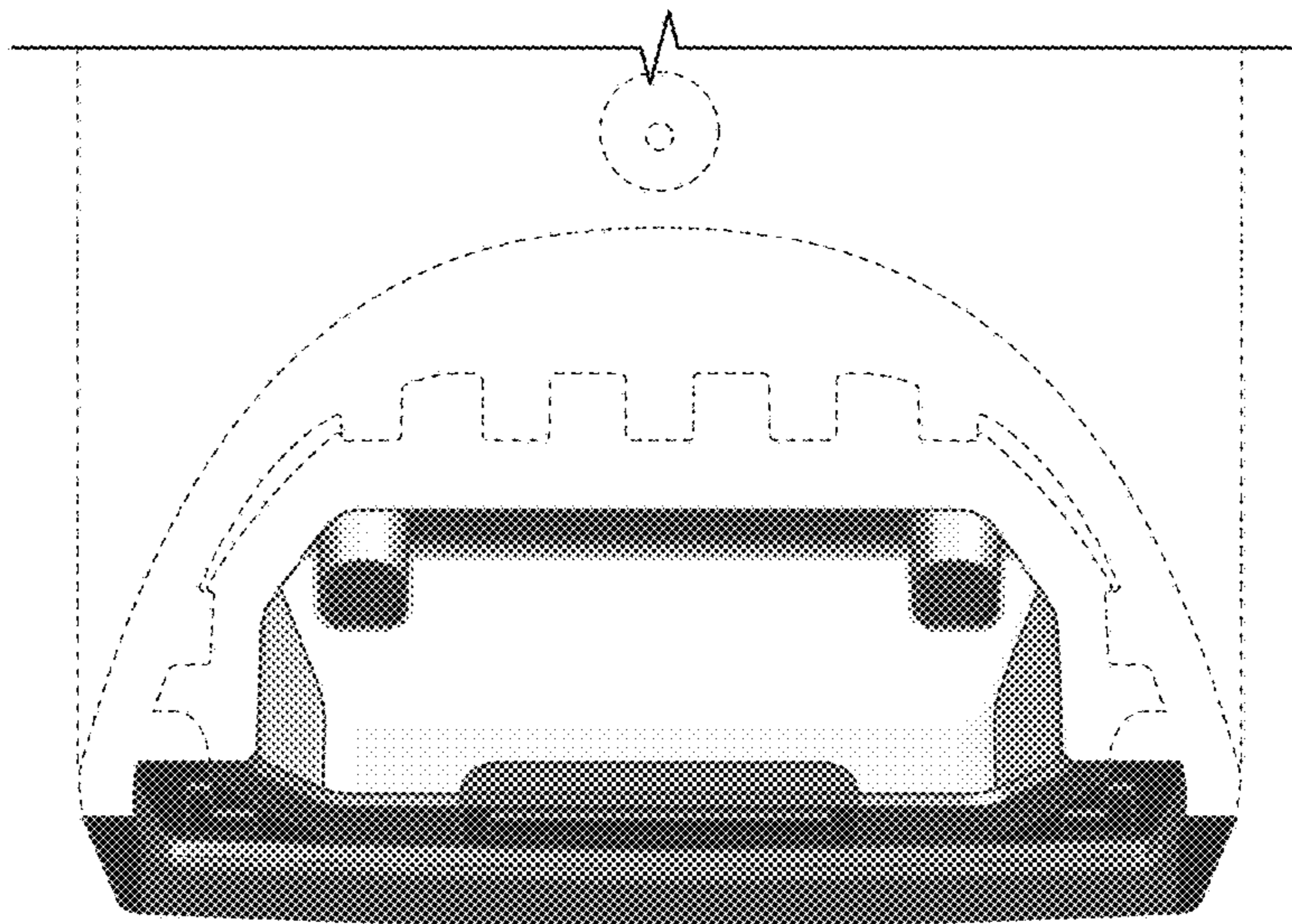


FIG. 9

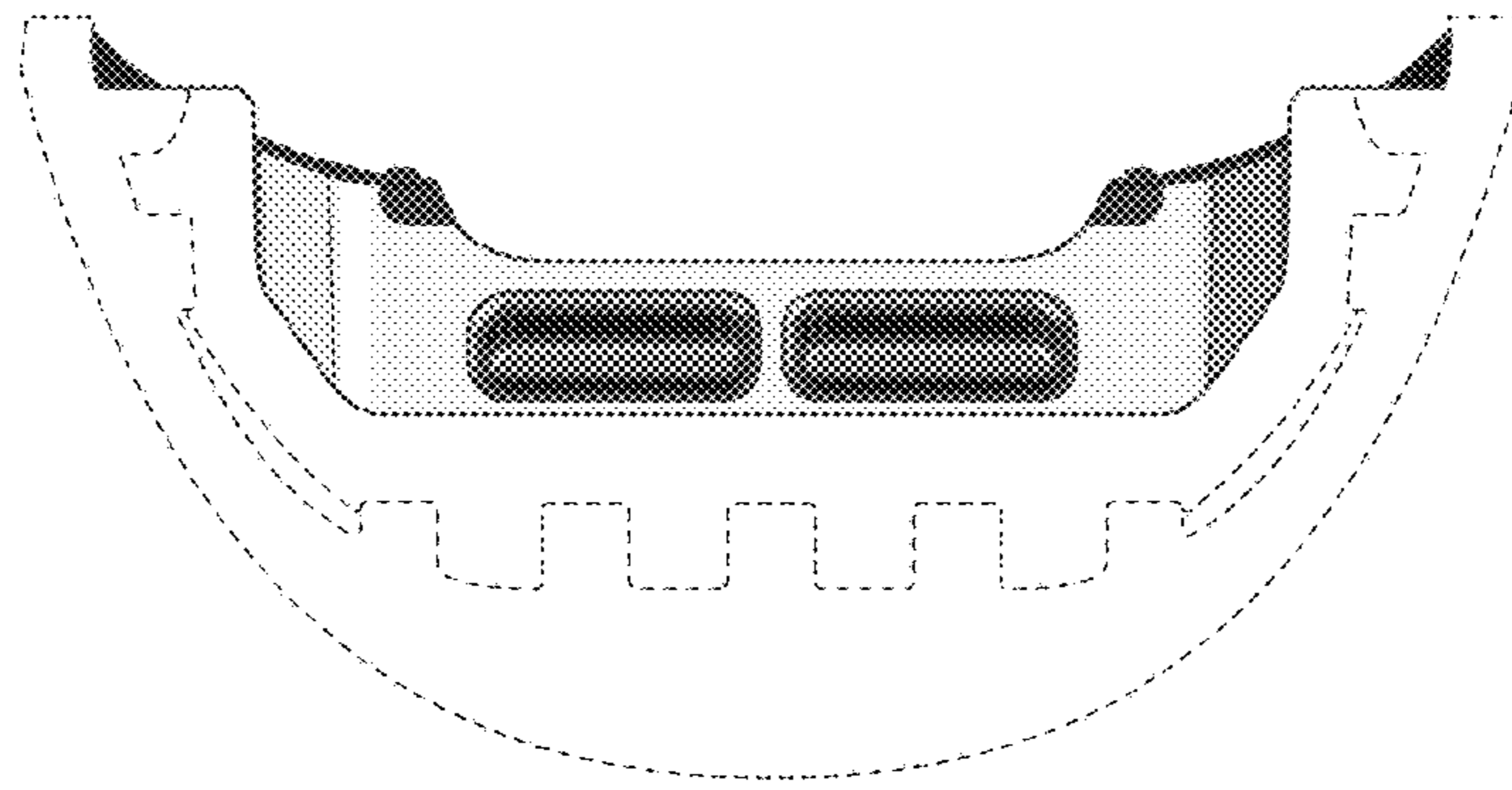


FIG. 10

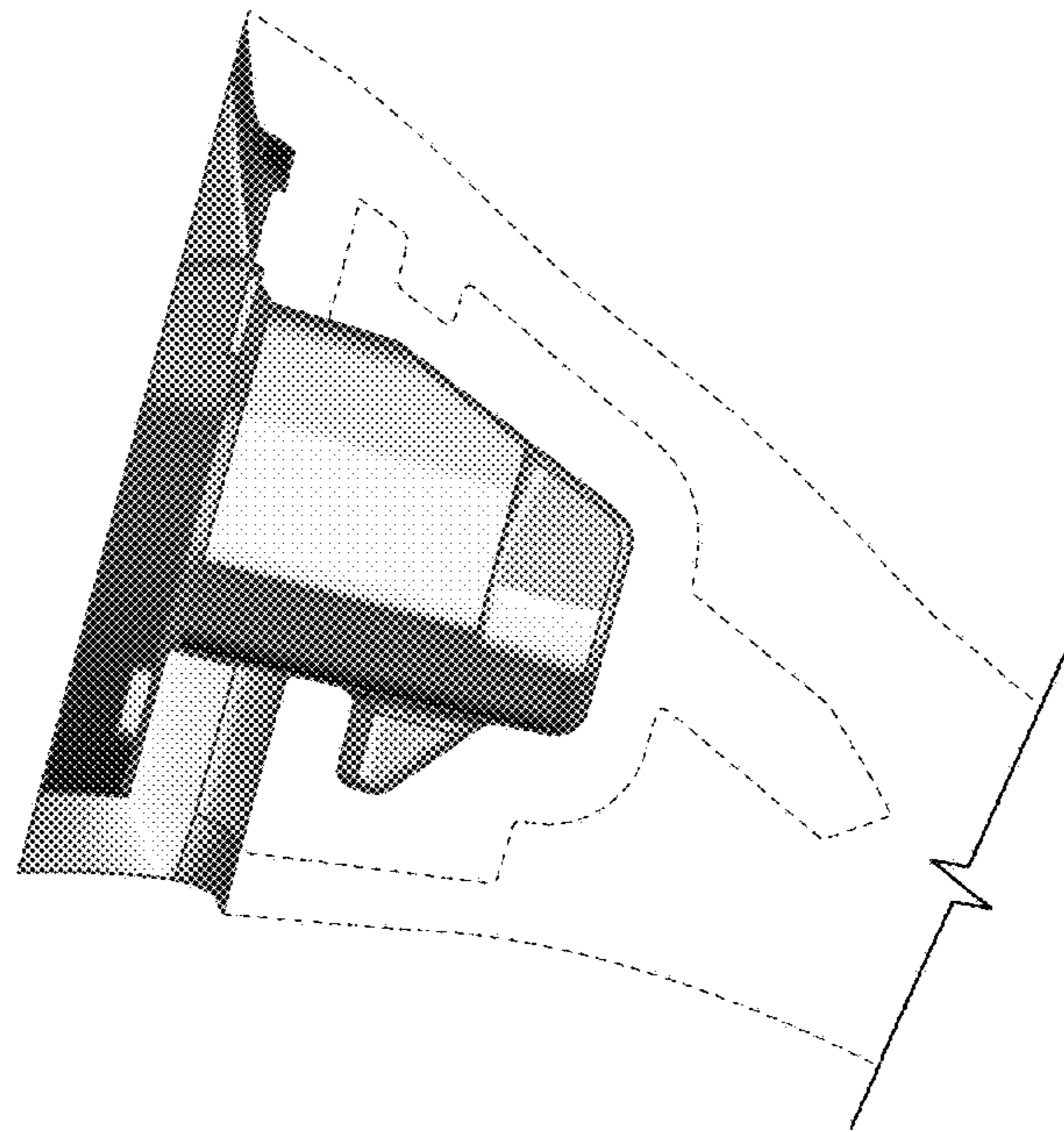


FIG. 11

UNITED STATES PATENT AND TRADEMARK OFFICE
CERTIFICATE OF CORRECTION

PATENT NO. : D858,516 S
APPLICATION NO. : 29/664606
DATED : September 3, 2019
INVENTOR(S) : Kang et al.

Page 1 of 1

It is certified that error appears in the above-identified patent and that said Letters Patent is hereby corrected as shown below:

On the Title Page

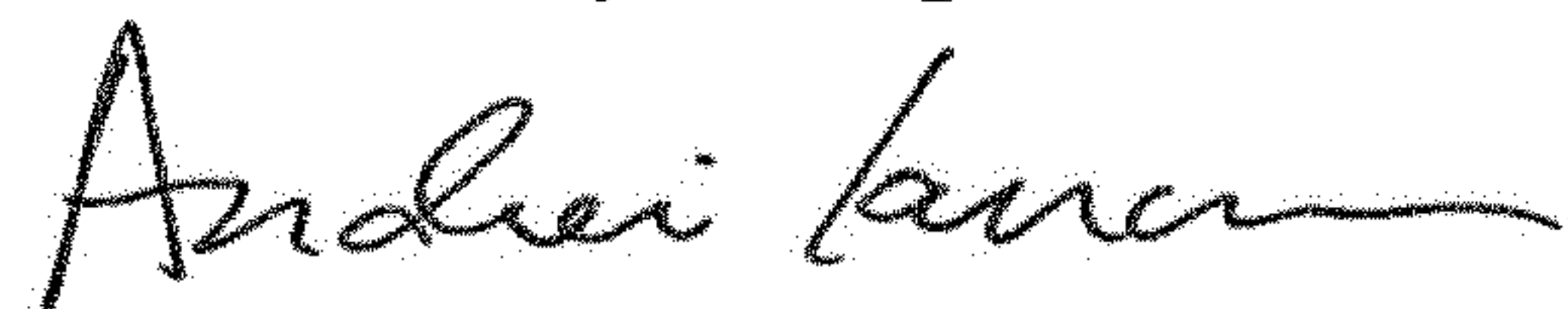
Item (54), and in the Specification, Column 1, Line 1, Title reads:

Pair of Removable Bands for a Watch Body

Should read:

Band for a Watch Body

Signed and Sealed this
Fifteenth Day of September, 2020



Andrei Iancu
Director of the United States Patent and Trademark Office