



US00D858511S

(12) **United States Design Patent** (10) **Patent No.:** **US D858,511 S**
Yu (45) **Date of Patent:** **** Sep. 3, 2019**

(54) **PHONE HOLDER**

(56) **References Cited**

(71) Applicants: **SHENZHEN WINGENE ELECTRONIC DEVELOPMENT CO., LTD.**, Shenzhen (CN); **FASHION SILICONE PRODUCTS (SHENZHEN) CO., LTD.**, Shenzhen (CN); **SHENZHEN SUNSHINE ELECTRONIC TECHNOLOGY CO., LTD.**, Shenzhen (CN); **SHENZHEN CHANGEWORLD CO., LTD.**, Shenzhen (CN)

U.S. PATENT DOCUMENTS

D660,305 S * 5/2012 Ho D14/447
D689,479 S * 9/2013 Soffer D14/253
D719,951 S * 12/2014 Fenton D14/253
D729,223 S * 5/2015 Haarburger D14/253
9,300,346 B2 * 3/2016 Hirsch H04B 1/385
D755,153 S * 5/2016 Steiner D14/138 R
D763,857 S * 8/2016 Dang D14/440
9,421,920 B2 * 8/2016 Jang A45F 5/00

(Continued)

(72) Inventor: **Qiaojie Yu**, Shenzhen (CN)

OTHER PUBLICATIONS

(73) Assignees: **SHENZHEN WINGENE ELECTRONIC DEVELOPMENT CO., LTD.**, Shenzhen (CN); **FASHION SILICONE PRODUCTS (SHENZHEN) CO., LTD.**, Shenzhen (CN); **SHENZHEN SUNSHINE ELECTRONIC TECHNOLOGY CO., LTD.**, Shenzhen (CN); **SHENZHEN CHANGEWORLD CO., LTD.**, Shenzhen (CN)

“Cell Phone Stand 3Pack, Ama Forest Portable Desktop Cell Phone Holder Adjustable Universal Multi-Angle Cradle for Tablet iPad Mini iPhone X/8/7 Plus/7/6s/6 Samsung Galaxy, Black White Pink”, Retrieved Apr. 24, 2019]. Retrieved from Internet, https://www.amazon.com/Ama-Forest-Adjustable-Universal-Multi-Angle/dp/B07DRFK4RY/ref=sr_1_20?crd=B5NYR3MWJBW&keywords=phone+holder+for+desk&qid=1556097556&s=gateway&sprefix=Phone+Holder%2Caps%2C356&se=8-20.

(Continued)

Primary Examiner — Janice Hallmark

(**) Term: **15 Years**

(57) **CLAIM**

(21) Appl. No.: **29/691,231**

The ornamental design for a phone holder, as shown and described.

(22) Filed: **May 15, 2019**

DESCRIPTION

(30) **Foreign Application Priority Data**

Mar. 14, 2019 (CN) 2019 3 0104423

(51) **LOC (12) Cl.** **14-03**

(52) **U.S. Cl.**
USPC **D14/253**

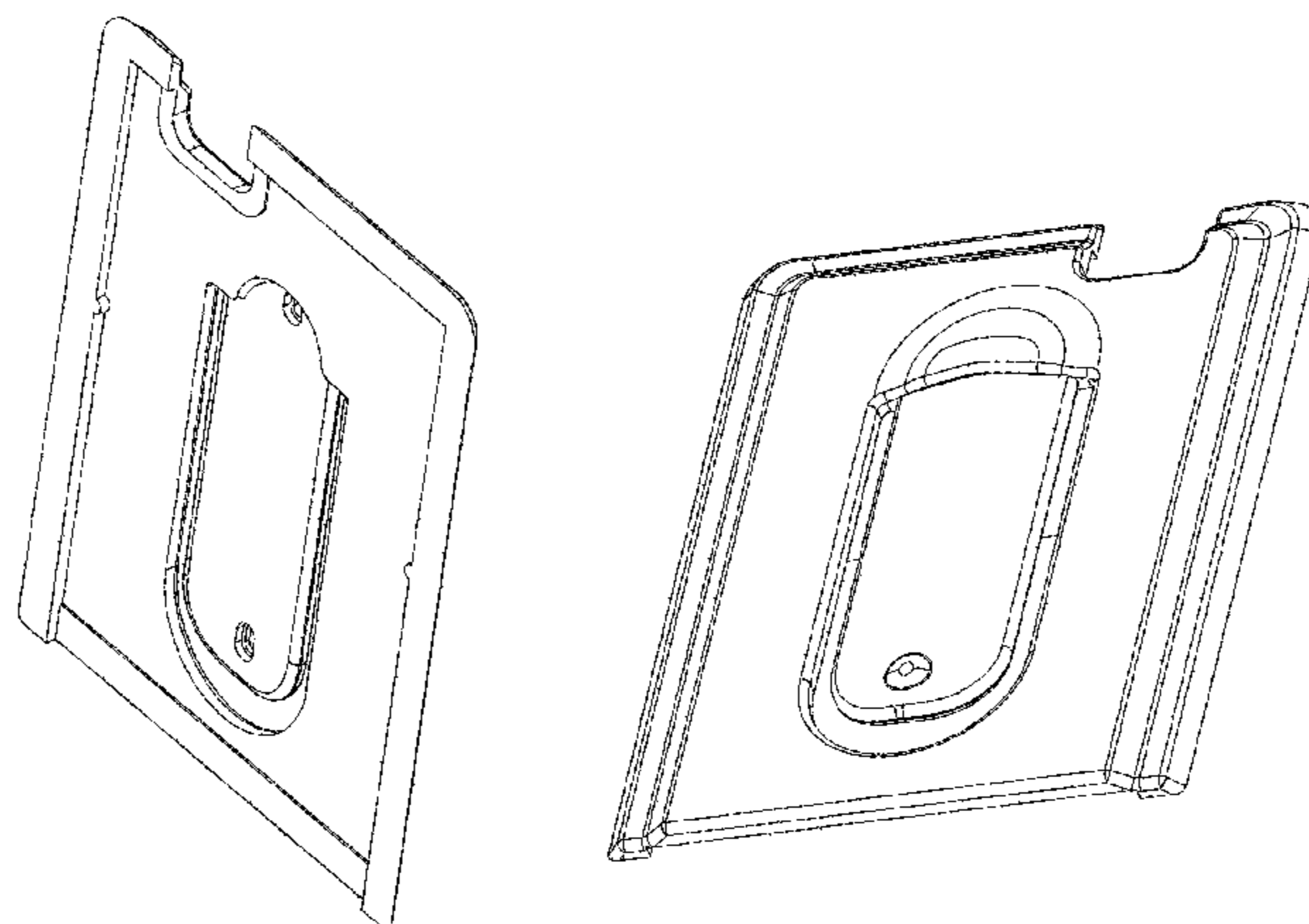
(58) **Field of Classification Search**
USPC D14/251–253, 358, 432, 434, 440, 447;
D3/218; D16/242, 243; D12/415;
D13/107, 108

CPC A45C 11/00; A45F 5/00; F16M 11/06

See application file for complete search history.

FIG. 1 is a perspective view of a phone holder showing my new design;
FIG. 2 is another perspective view thereof;
FIG. 3 is a front elevational view thereof;
FIG. 4 is a rear elevational view thereof;
FIG. 5 is a left side elevational view thereof;
FIG. 6 is a right side elevational view thereof;
FIG. 7 is a top plan view thereof; and,
FIG. 8 is a bottom plan view thereof.

1 Claim, 8 Drawing Sheets



(56)

References Cited

U.S. PATENT DOCUMENTS

D786,235	S *	5/2017	Huotari	D14/253
D795,238	S *	8/2017	Kim	D14/250
D815,086	S *	4/2018	Jeon	D14/251
D817,316	S *	5/2018	Srour	D14/251
D826,917	S *	8/2018	Zhong	D14/253
D826,947	S *	8/2018	Zhong	D14/439
D830,367	S *	10/2018	Chang	D14/440
D835,091	S *	12/2018	Torrance	D14/253
D842,290	S *	3/2019	Robertson	D14/250
D842,851	S *	3/2019	Leitman	D14/253
D845,955	S *	4/2019	Zhong	D14/439
2012/0006950	A1 *	1/2012	Vandiver	F16M 11/10 248/176.3
2012/0025039	A1 *	2/2012	Segal	F16M 11/24 248/188.6
2012/0106054	A1 *	5/2012	Royz	F16M 11/10 361/679.3

OTHER PUBLICATIONS

“IPOW Hands Free Car Phone Mount, Magnetic, Dashboard Cell Phone Holder Mount with Super Sticky Gel Pad Compatible with most Smartphones”, Retrieved Apr. 24, 2019]. Retrieved from Internet, https://www.amazon.com/IPOW-Magnetic-Dashboard-Compatible-Smartphones/dp/B07K6D847H/ref=sr_1_38_sspa?keywords=phone+holder&qid=1556268059&s=gateway&sr=8-38-spons&psc=1.

“Cell Phone Wallet with Stand by Cellessentials: (for Credit Card & Id) iPhone, Android & Smartphone | 3 Pc Pack—Black, Grey & Pink”, Retrieved Apr. 24, 2019]. Retrieved from Internet, https://www.amazon.com/Cell-Phone-Wallet-Stand-Cellessentials/dp/B019KW6G4C/ref=sr_1_22?keywords=Mobile+phone+card+holder&qid=1556593843&s=gateway&sr=8-22.

* cited by examiner

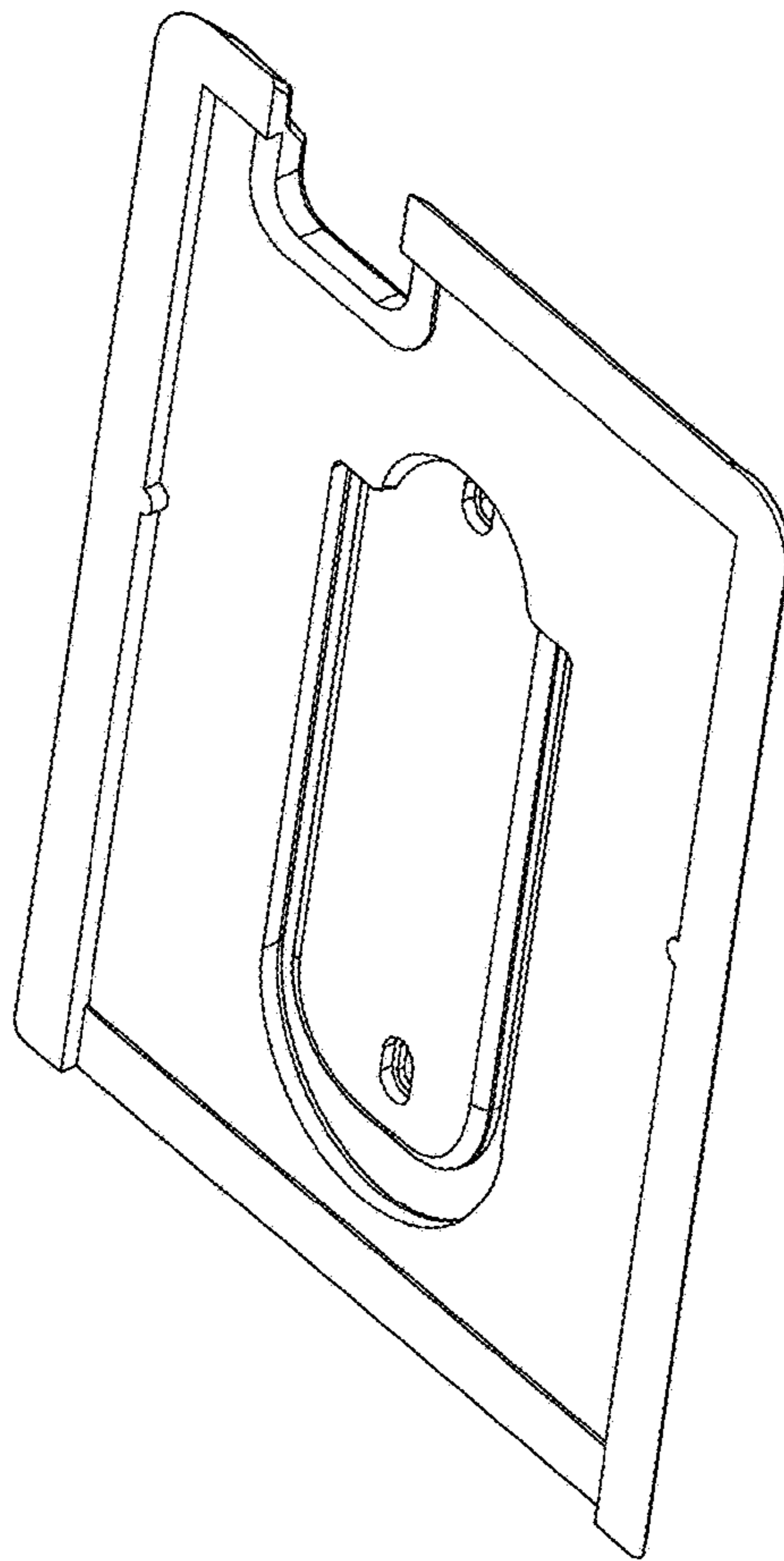


FIG. 1

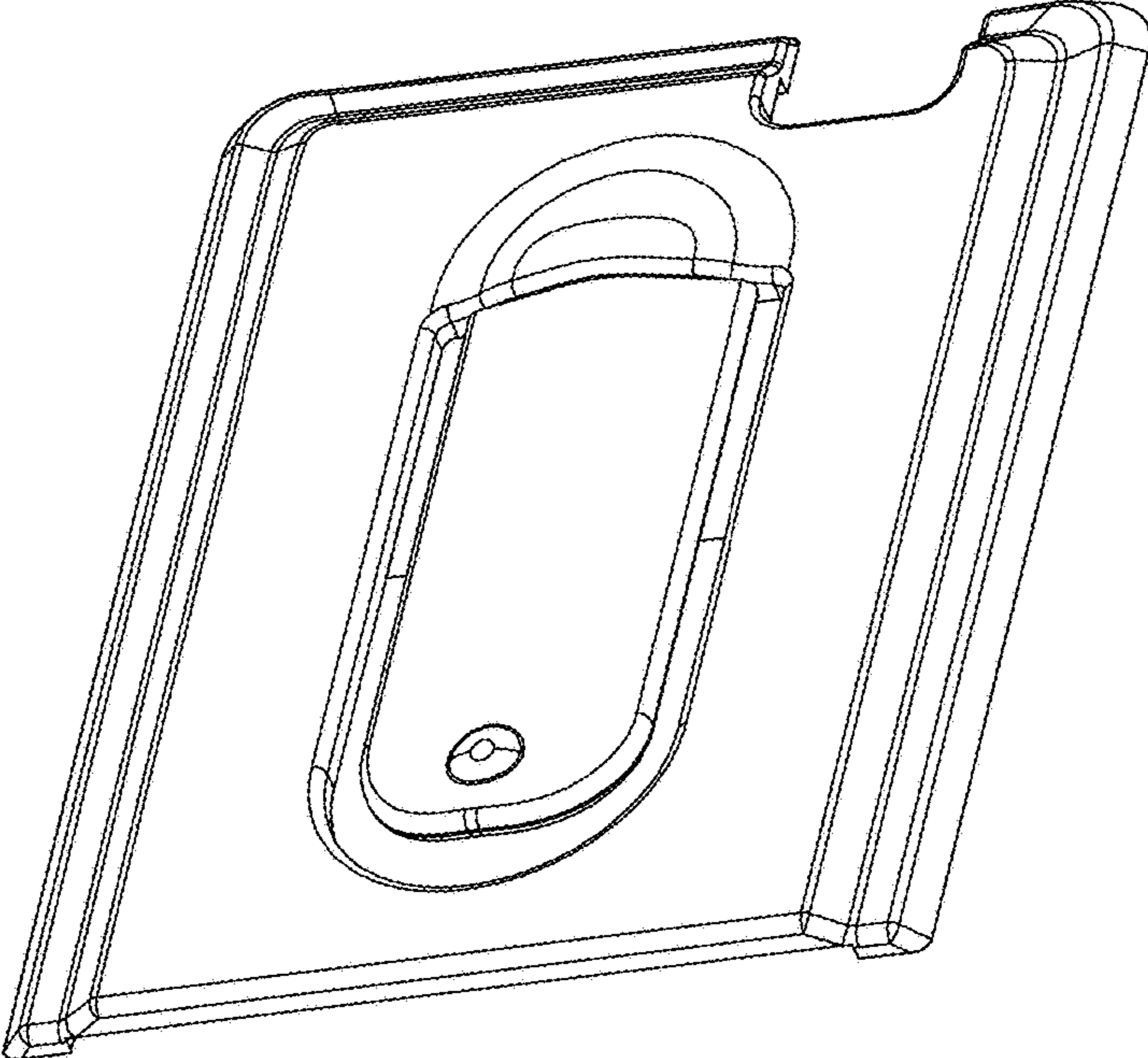


FIG. 2

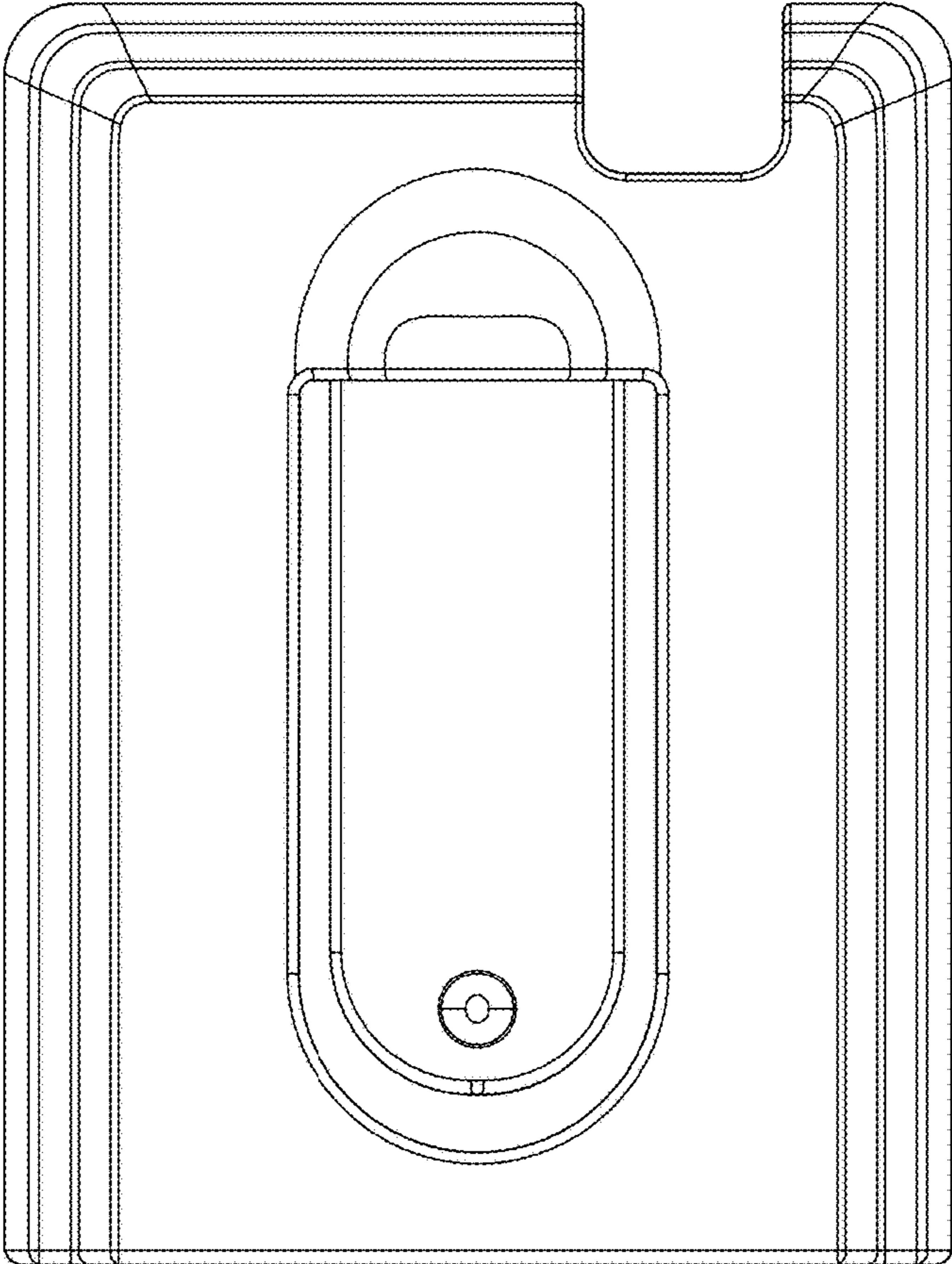


FIG. 3

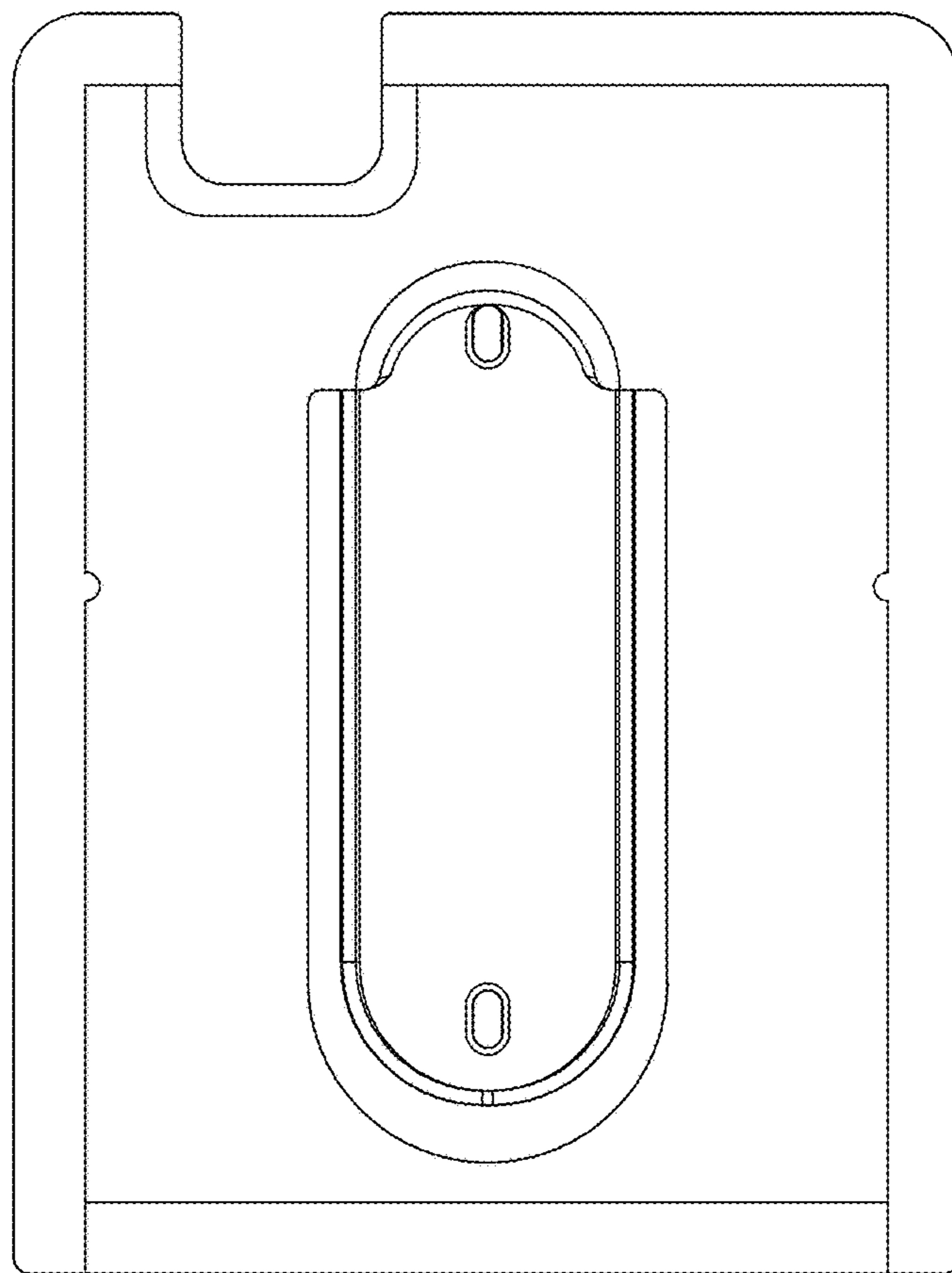


FIG. 4

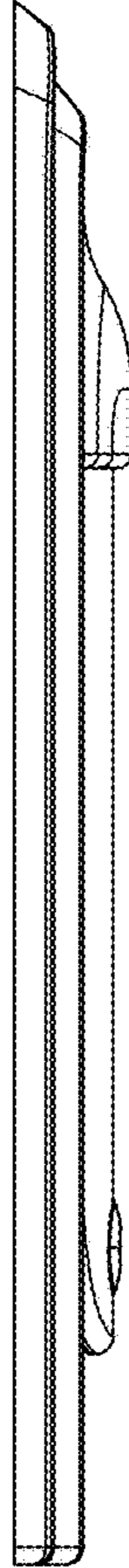


FIG. 5

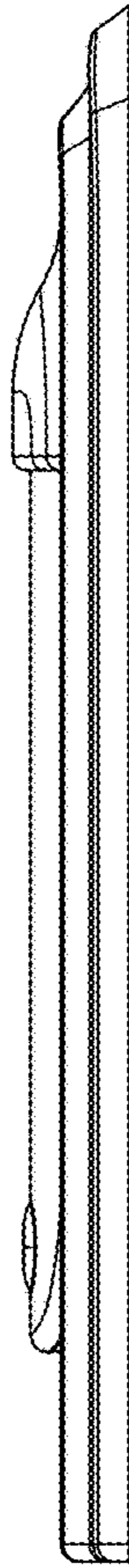


FIG. 6



FIG. 7



FIG. 8