



US00D858510S

(12) **United States Design Patent**  
**Saculles**

(10) **Patent No.:** **US D858,510 S**

(45) **Date of Patent:** **\*\* Sep. 3, 2019**

(54) **PHONE MOUNT**

(71) Applicant: **James Cimafranca Saculles**, Boise, ID (US)

(72) Inventor: **James Cimafranca Saculles**, Boise, ID (US)

(73) Assignee: **Timberline Tooling, Inc.**, Boise, ID (US)

(\*\*) Term: **15 Years**

(21) Appl. No.: **29/641,261**

(22) Filed: **Mar. 20, 2018**

(51) **LOC (12) Cl.** ..... **14-03**

(52) **U.S. Cl.**

USPC ..... **D14/253**; D12/415

(58) **Field of Classification Search**

USPC ..... D14/251-254, 217, 224, 224.1, 238.1, D14/299, 434, 447, 451-452, 483; D12/400, 415-426, 426.1, 114, 223; D8/394; D6/513, 553, 567; D3/218; D16/242, 245

CPC ..... B60R 11/00; B60R 11/02; B60R 11/0241; B60R 11/0252; B60R 2011/0005; B60R 2011/0008; H04M 1/026; H04M 1/0266; H04B 1/3877; A45F 2200/0516; A45F 2200/0525; H05K 5/0204; F16M 13/02; F16M 13/022; F16M 13/04; F16M 11/04; F16M 11/041; F16B 2/12; H01F 7/0252

See application file for complete search history.

(56) **References Cited**

**U.S. PATENT DOCUMENTS**

7,441,981 B2 \* 10/2008 Crain ..... E06C 7/14 248/124.1  
D654,119 S \* 2/2012 Lin ..... D14/434

D654,120 S \* 2/2012 Lin ..... D14/434  
8,469,325 B2 \* 6/2013 Yu ..... G10G 5/005 248/231.51  
8,720,837 B2 \* 5/2014 Li ..... F16M 11/041 248/163.1  
D708,603 S \* 7/2014 Kim ..... D14/253  
8,842,981 B2 \* 9/2014 Fujikake ..... G03B 17/566 396/432  
8,915,660 B1 \* 12/2014 Ben Yehuda ..... F16M 11/041 396/420  
9,062,818 B2 \* 6/2015 Fan ..... F16M 11/04  
9,297,495 B2 \* 3/2016 Fischer ..... F16M 11/041  
D753,126 S \* 4/2016 Alesi ..... D14/447  
10,001,153 B1 \* 6/2018 Fan ..... F16B 2/12  
2013/0134267 A1 \* 5/2013 Liu ..... F16M 11/10 248/122.1

\* cited by examiner

*Primary Examiner* — Jeffrey D Asch

*Assistant Examiner* — Rebekah A Caruso

(74) *Attorney, Agent, or Firm* — Cotman IP Law Group, PLC

(57) **CLAIM**

The ornamental design for a phone mount, as shown and described.

**DESCRIPTION**

FIG. 1 is a perspective view of the phone mount showing the new design;

FIG. 2 is a bottom plan view thereof;

FIG. 3 is a top plan view thereof;

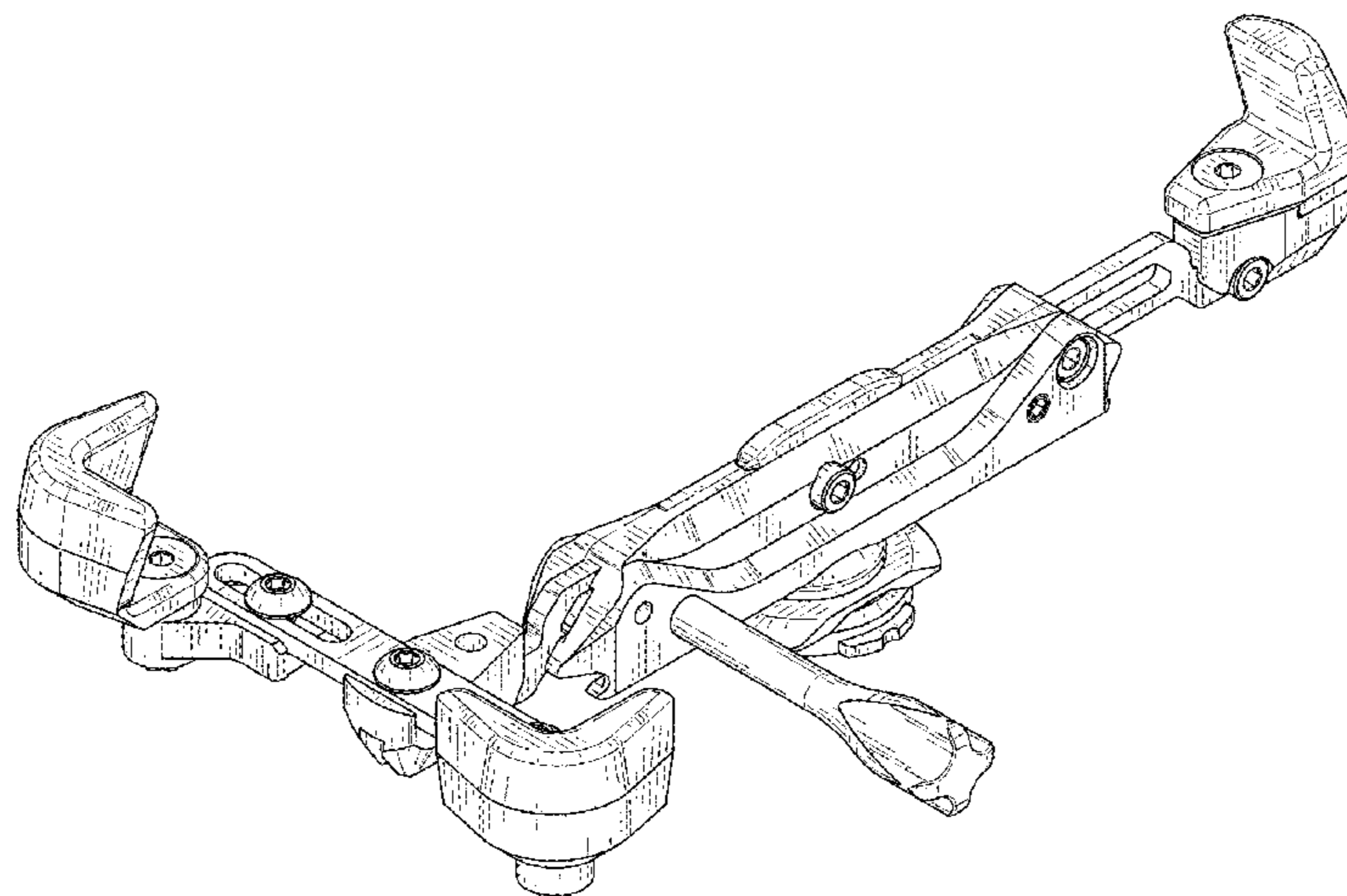
FIG. 4 is a right elevation view thereof;

FIG. 5 is a left elevation view thereof;

FIG. 6 is a front elevation view thereof; and,

FIG. 7 is a rear elevation view thereof.

**1 Claim, 5 Drawing Sheets**



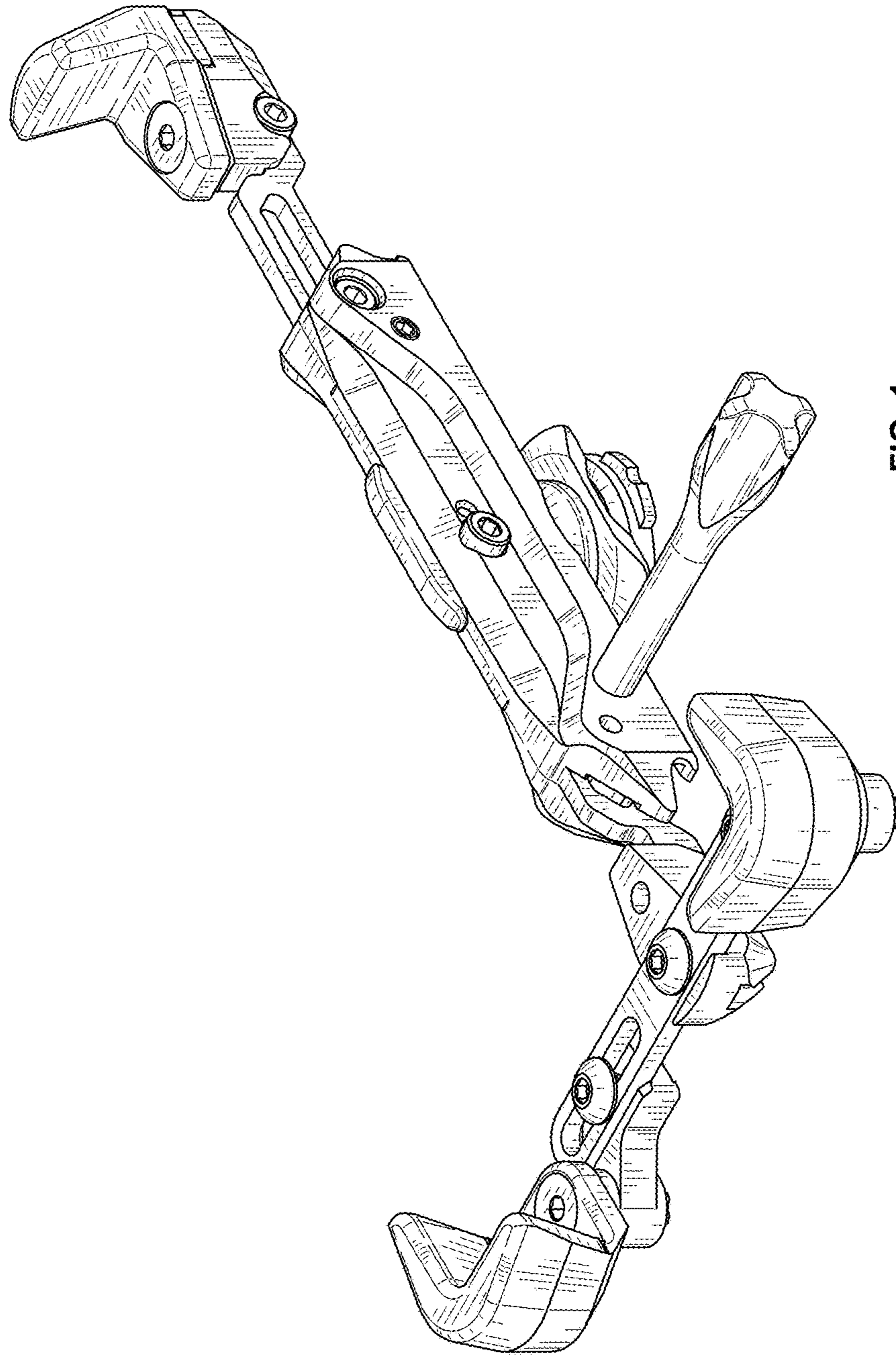


FIG. 1

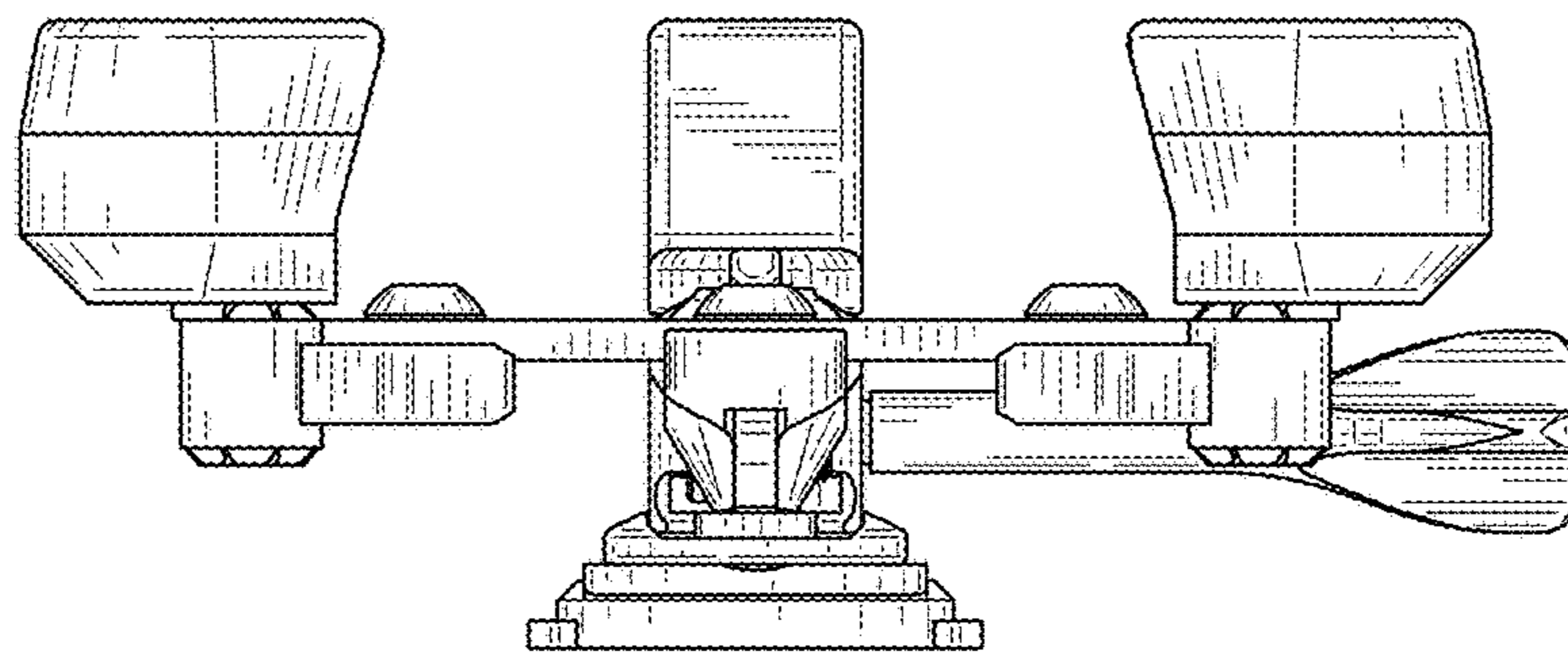


FIG. 2

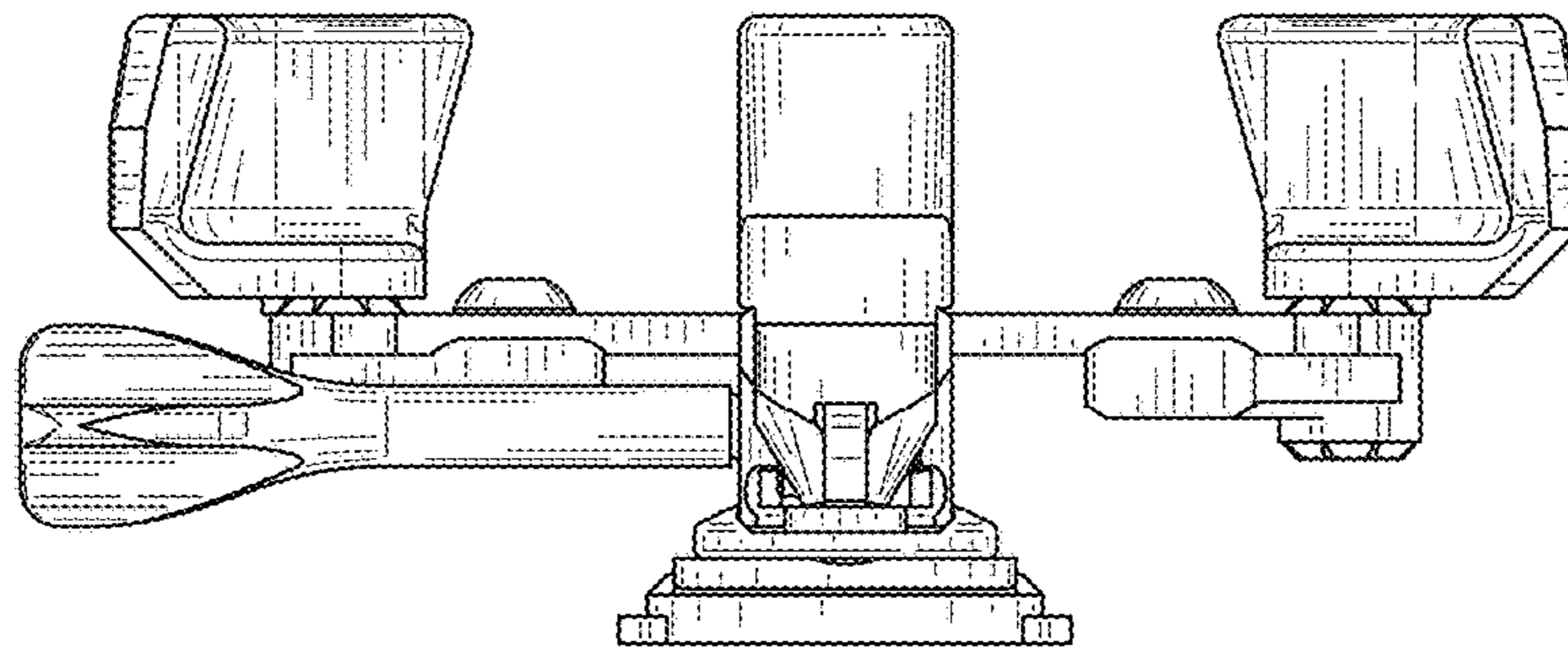


FIG. 3



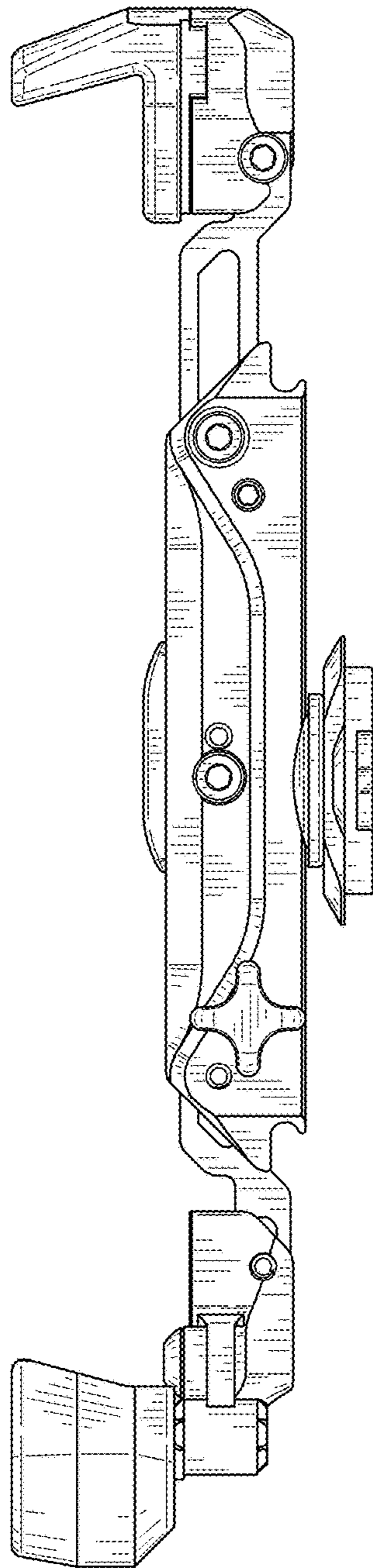


FIG. 4

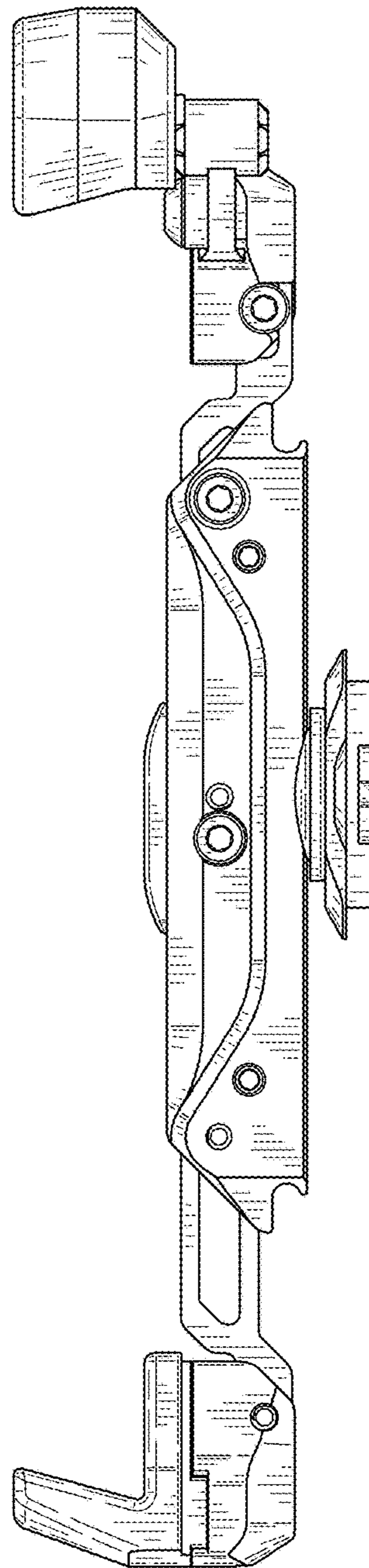


FIG. 5

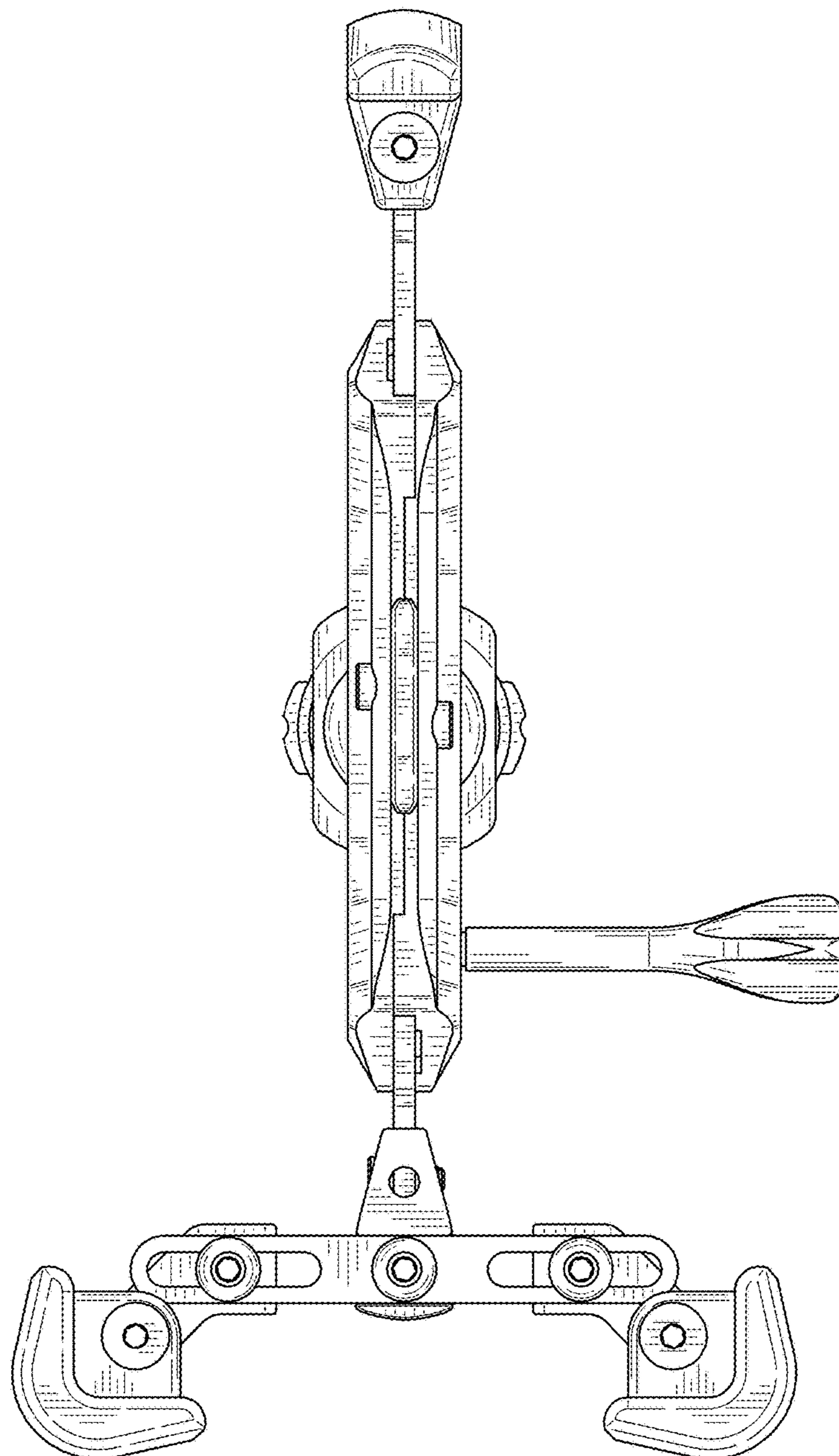


FIG. 6

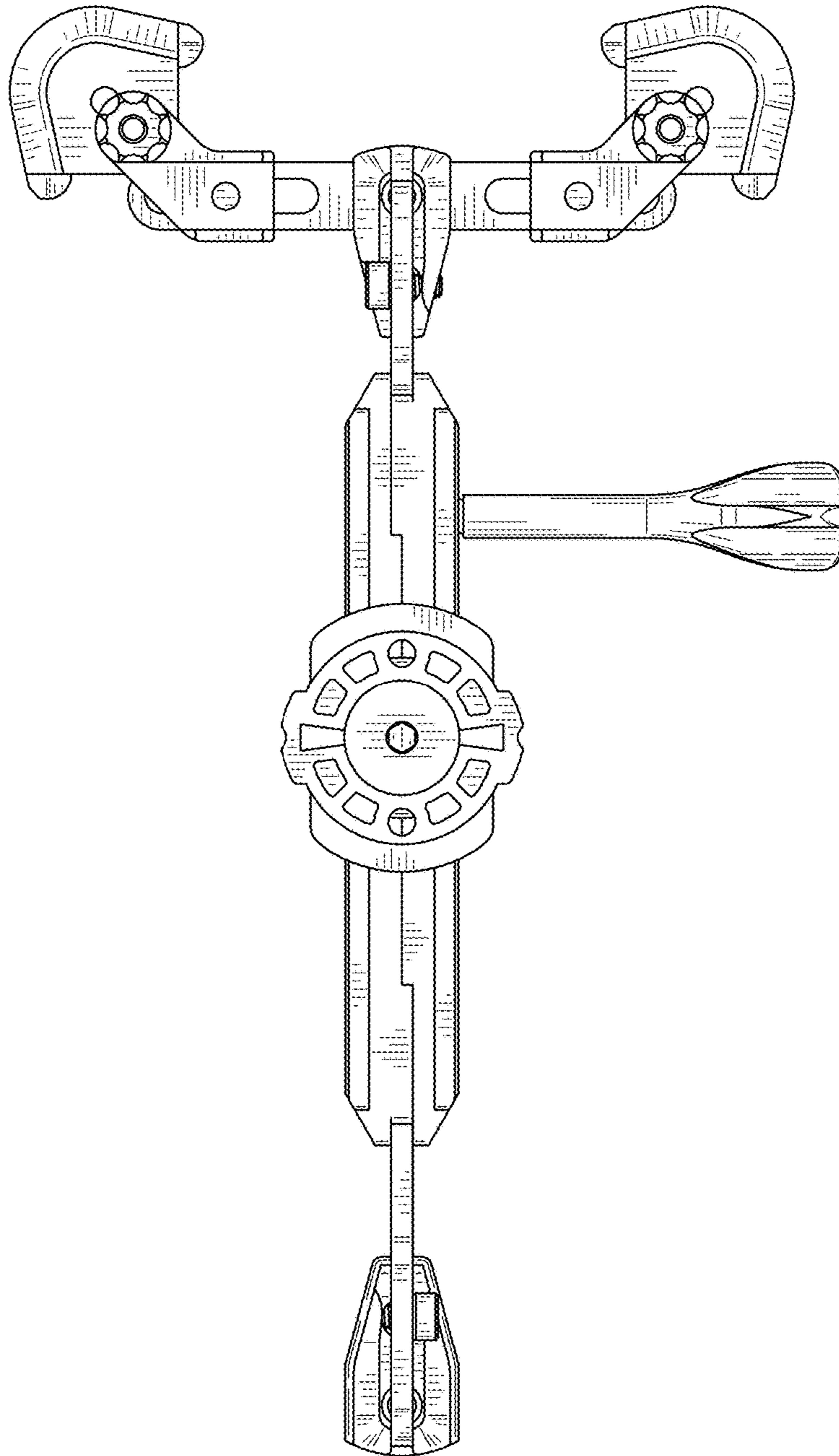


FIG. 7