



US00D858509S

(12) **United States Design Patent** (10) **Patent No.:** **US D858,509 S**
Yao et al. (45) **Date of Patent:** **** Sep. 3, 2019**

(54) **DASHBOARD VENT MOUNT FOR AN ELECTRONIC DEVICE**

(71) Applicant: **Kenu, Inc.**, San Francisco, CA (US)

(72) Inventors: **David E. Yao**, San Francisco, CA (US); **Leonard John Duran**, Mill Valley, CA (US); **Gregory D. Caneer**, Oakland, CA (US); **Kenneth Y. Minn**, San Francisco, CA (US)

(73) Assignee: **Kenu, Inc.**, San Francisco, CA (US)

(**) Term: **15 Years**

(21) Appl. No.: **29/638,301**

(22) Filed: **Feb. 26, 2018**

(51) **LOC (12) Cl.** **14-03**

(52) **U.S. Cl.**
 USPC **D14/253**; D12/415

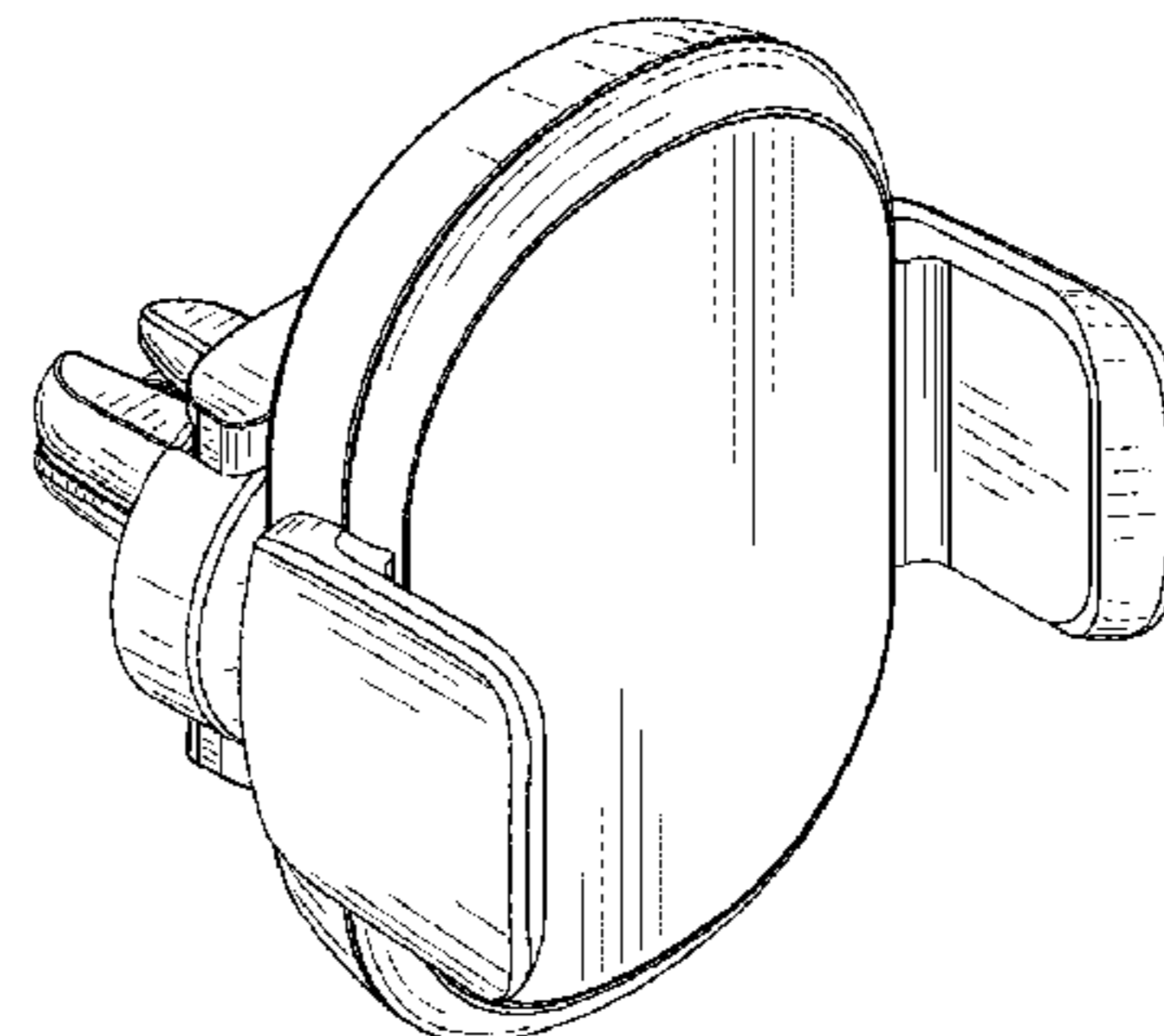
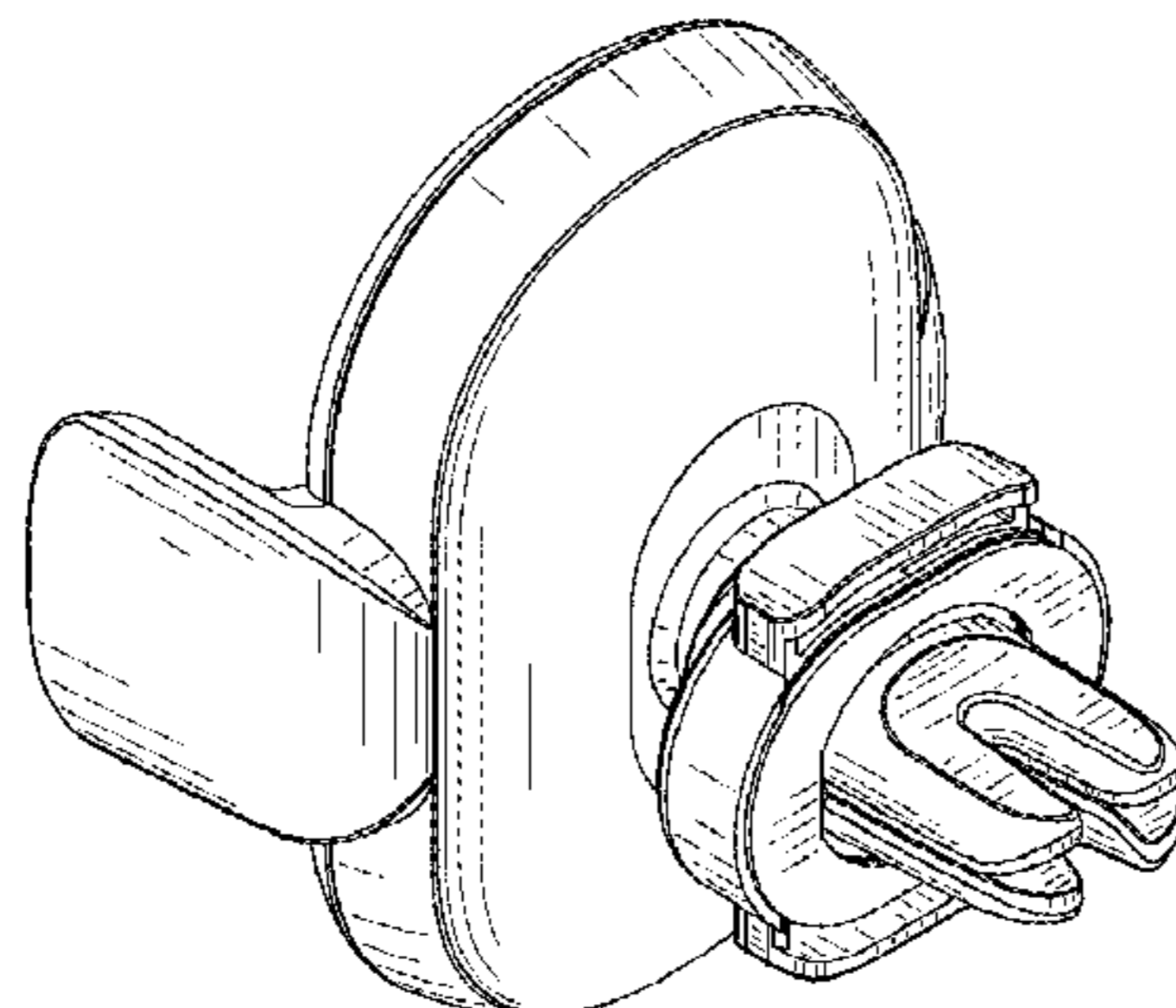
(58) **Field of Classification Search**
 USPC D14/251–254, 217, 224, 224.1, 238.1, D14/299, 434, 447, 451–452, 483; D12/400, 415–426, 426.1, 114, 223; D8/394; D6/513, 553, 567; D3/218; D16/242, 245; D10/74
 CPC B60R 11/00; B60R 11/02; B60R 11/0241; B60R 11/0252; B60R 2011/0005; B60R 2011/0008; H04M 1/026; H04M 1/0266; H04B 1/3877; A45F 2200/0516; A45F 2200/0525; H05K 5/0204; F16M 13/02; F16M 13/022; F16M 13/04; F16M 11/04; F16M 11/041; F16B 2/12; H01F 7/0252; G03B 17/561; G03B 17/563

See application file for complete search history.

5,338,252 A	8/1994	Bowler et al.
5,979,724 A	11/1999	Loewenthal et al.
6,103,201 A	8/2000	Green
6,149,116 A	11/2000	Won
6,234,435 B1	5/2001	Yeh
6,366,672 B1	4/2002	Tsay
6,441,872 B1	8/2002	Ho
D482,039 S	11/2003	Chen et al.
D485,340 S	1/2004	Wu
6,749,160 B1	6/2004	Richter
6,988,907 B2	1/2006	Chang
D521,990 S	5/2006	Richter
D522,843 S	6/2006	Richter
7,061,386 B2	6/2006	Seresini
7,066,434 B2	6/2006	Kwok
7,080,812 B2	7/2006	Wadsworth
7,140,553 B2	11/2006	Zobebe
7,178,771 B2	2/2007	Richter
D538,912 S	3/2007	Kaplan
7,272,984 B2	9/2007	Fan
7,284,737 B2	10/2007	Kane
D566,590 S	4/2008	Stevens et al.
7,475,858 B2	1/2009	Kalis et al.
D589,962 S	4/2009	Maruyama et al.
7,537,190 B2	5/2009	Fan
D603,322 S	11/2009	Nicieja
7,628,362 B2	12/2009	Song
7,661,638 B2	2/2010	Yu
D611,478 S	3/2010	Richardson et al.
D614,613 S	4/2010	Kim et al.
D626,541 S	11/2010	Kim et al.
D630,222 S	1/2011	Lin
D633,040 S	2/2011	Le et al.
7,913,963 B2	3/2011	Cheng et al.
D643,407 S	8/2011	Behringer et al.
D645,033 S	9/2011	Quong et al.
D655,692 S	3/2012	Silverman et al.
D656,931 S	4/2012	Wikel
D656,940 S	4/2012	McClelland et al.
D657,356 S	4/2012	Wikel
D657,364 S	4/2012	Norman
D663,726 S	7/2012	Gourley
D663,735 S	7/2012	Musselman
D664,147 S	7/2012	Zhao et al.
D670,295 S	11/2012	Prescott et al.
D671,950 S	12/2012	Richter
8,505,861 B2	8/2013	Carnevali
D689,041 S	9/2013	Hampf
D690,707 S	10/2013	Minn et al.
D692,897 S	11/2013	Luijiben
8,706,175 B2	4/2014	Cho
D705,211 S *	5/2014	Huang D14/253
8,727,192 B2	5/2014	Lai

(56) **References Cited**
 U.S. PATENT DOCUMENTS

2,580,625 A	1/1952	Waltz
4,797,916 A	1/1989	Kojima
5,109,411 A	4/1992	O'Connell
5,305,381 A	4/1994	Wang



8,757,461 B2 6/2014 Zanetti
D708,603 S 7/2014 Kim et al.
D709,066 S 7/2014 Byun
D709,074 S 7/2014 Tsui et al.
D713,398 S 9/2014 Alesi et al.
D715,790 S 10/2014 Conomos et al.
D715,791 S 10/2014 Yu
8,857,687 B1 10/2014 An
D716,788 S 11/2014 Volkan
D717,289 S 11/2014 Takabatake
D718,298 S 11/2014 Aspinall et al.
D720,759 S 1/2015 Deng et al.
D723,311 S 3/2015 Jian et al.
D724,072 S 3/2015 Jiang et al.
D726,175 S 4/2015 Tsai et al.
D727,333 S 4/2015 Shih et al.
D733,116 S 6/2015 Aspinall et al.
D733,156 S 6/2015 Choi et al.
D733,548 S 7/2015 Brown et al.
D733,697 S 7/2015 Palan et al.
D735,112 S 7/2015 Deng et al.
9,080,714 B2 7/2015 Minn et al.
D738,873 S 9/2015 Kim et al.
D747,704 S 1/2016 Tsou
D748,098 S 1/2016 Khodapanah et al.
9,267,518 B2 2/2016 Chang
D750,515 S 3/2016 Ditges et al.
D750,612 S 3/2016 Chen
D750,633 S 3/2016 Minn et al.
D757,705 S 5/2016 Esses
9,366,383 B2 6/2016 Chien et al.
D765,646 S 9/2016 Deng et al.
D765,651 S 9/2016 Liu et al.
D768,125 S 10/2016 Kim
D769,860 S 10/2016 Xiao
D772,739 S 11/2016 Browning et al.
D774,382 S 12/2016 Richter
D778,713 S 2/2017 McSweyn et al.
D778,714 S 2/2017 McSweyn et al.
D780,168 S 2/2017 Du
9,573,531 B2 2/2017 Zhang
D782,462 S 3/2017 Huang
9,586,530 B2 3/2017 Kim
D783,012 S 4/2017 Lee
D783,592 S 4/2017 Ju
D783,593 S 4/2017 Chen
9,611,881 B2 4/2017 Khodapanah et al.
D789,920 S 6/2017 Zhang
D792,415 S 7/2017 Tsai
D792,416 S 7/2017 Tsai
9,718,412 B2 8/2017 Minn et al.
D796,421 S 9/2017 Huang
D799,466 S 10/2017 Sukphist et al.
D802,404 S 11/2017 Turksu et al.
9,821,724 B2 11/2017 Zhang et al.
D825,545 S 8/2018 McSweyn et al.
D831,660 S * 10/2018 Yao D14/447
D831,661 S * 10/2018 Yao D14/447
D840,999 S * 2/2019 Hu D14/253
2005/0127538 A1 6/2005 Fabrega
2005/0236541 A1 10/2005 Chang
2007/0001025 A1 1/2007 Caserta et al.
2007/0018064 A1 1/2007 Wang
2007/0284500 A1 12/2007 Fan
2008/0190978 A1 8/2008 Brassard
2008/0224007 A1 9/2008 Mo
2009/0060473 A1 3/2009 Kohte et al.
2009/0166497 A1 7/2009 Carnevali
2010/0019059 A1 1/2010 Bulsink et al.
2011/0019992 A1 1/2011 Orf
2011/0143583 A1 6/2011 Zilmer et al.
2011/0148352 A1 6/2011 Wang et al.
2011/0278885 A1 11/2011 Procter et al.
2012/0205503 A1 8/2012 Kobal
2013/0037590 A1 2/2013 Yoon
2014/0097306 A1 4/2014 Hale et al.
2014/0103087 A1 4/2014 Fan
2014/0138419 A1 5/2014 Minn et al.
2014/0176062 A1 6/2014 Jung

2014/0265765 A1 9/2014 Khodapanah et al.
2015/0072555 A1 3/2015 Riddiford et al.
2016/0052370 A1 2/2016 Esses
2016/0082893 A1 3/2016 Ormsbee et al.
2016/0318455 A1 11/2016 Zhang et al.
2016/0347257 A1 12/2016 Buchanan
2016/0373152 A1 12/2016 Schmidt
2017/0035172 A1 2/2017 Kim
2017/0170858 A1 6/2017 Tiller et al.
2017/0313259 A1 11/2017 Minn et al.
2018/0043840 A1 2/2018 Minn et al.

FOREIGN PATENT DOCUMENTS

CN	301670390	9/2011
CN	202907016 U	4/2013
DE	202004007340 U1	7/2004
DE	202008010276 U1	11/2008
EP	1031446 A1	8/2000
EP	1902736 A1	3/2008
EP	2835957	4/2015
JP	2003054304 A	2/2003
JP	3151546 U	6/2009
JP	3164223 U	11/2010
JP	D1415725	5/2011
JP	D1420793	7/2011
JP	D1420793	8/2011
JP	D1453628	10/2012
JP	D1487823	1/2014
KR	10-2000-0044438	7/2000
KR	20-0429528	10/2006
KR	10-2012-0125933	11/2012
KR	30-0941787	1/2018
TW	D103373	3/2005
TW	D149647	10/2012
TW	D165745	2/2015
TW	D178656	10/2016
WO	WO 9604153	2/1996
WO	WO2004091673 A1	10/2004
WO	D066974-001	9/2005
WO	2010002291 A1	1/2010

OTHER PUBLICATIONS

Kenu Airframe Wireless and Airbase Wireless car mounts review, Kenu Airframe Wireless pictured therein, online, post date Oct. 28, 2018, <URL: <https://the-gadgeteer.com/2018/10/28/kenu-airframe-and-airbase-wireless-car-mounts-review/>>, retrieved Apr. 9, 2019.*
U.S. Appl. No. 29/607,125, filed Jun. 9, 2017.
U.S. Appl. No. 29/607,126, filed Jun. 9, 2017.
U.S. Appl. No. 29/617,062, filed Sep. 11, 2017.
U.S. Appl. No. 29/617,064, filed Sep. 11, 2017.
U.S. Appl. No. 29/625,650, filed Nov. 10, 2017.
U.S. Appl. No. 29/625,651, filed Nov. 10, 2017.
U.S. Appl. No. 29/638,303, filed Feb. 26, 2018.
Arkon Resources Inc., SMH429-SBH Universal Air Vent Swivel Mount with Adjustable Cradle, (downloaded from <https://www.amazon.com/Arkon-Holder-iPhone-Galaxy-Retail/dp/B003XAF4YQ> on Apr. 11, 2017, 9 pages).
Web posting, entitled “[Arkon Air Vent Smartphone Car Mount] Review of SM429-SBH Air Vent Universal Smartphone Car Mount” (Publication Date: Nov. 21, 2010, <http://cafe.naver.com/bjphone/1391925>).
Web posting entitled, “Car Mount for Samsung Galaxy S4 Smartphone [Air Vent Smartphone Car Mount]” (Publication Date: Apr. 29, 2013, <http://blog.naver.com/eeleet/130167208063>).
China Quality Suppliers; “Black or White Car Air Vent Mount Holder/Adjustable Universal Mobile Phone Stand Holder;” <http://www.hebeimanjikefrp.com/sale-2307306-black-or-white-car-air-vent-mount-holder-adjustable-universal-mobile-phone-stand-holder.html>; Copyright 2014-2015.
Exogear; “ExoMount Touch;” <http://www.exogear.com/products-exomount-touch-one-touch-car-mount-holder.html>; Copyright 2013 Exogear.

Pearl Automation, Pearl Magnetic Car Phone Mount—Vent or Dashboard Cell Phone Holder for Car or Truck, Publication Date: Sep. 2017 {earliest/exact publication date unknown}, <https://www.amazon.com/Pearl-Magnetic-Car-Phone-Mount/dp/B01M0DNYIV>.

Elongdi, Elongdi Air Vent Magnetic Car Mount 360 Degree Rotating Car Phone Mount Holder Compatible with iPhone 6 6S Plus 5 Galaxy S7 S6 edge S5 Sony HTC LG, Publication Date: Sep. 2017 {earliest/exact publication date unknown}, https://www.amazon.com/gp/product/B01LXY2N6R/ref=oh_aui_search_detailpage?ie=UTF8&pssc=1.

Mengo, Magnetic Air Vent Car Mount—Aluma Magnetic Phone Holder—Universally Compatible for iPhone Samsung HTC LG Phones—Strong Magnetic Vent Mount, Publication Date: Sep. 2017 {earliest/exact publication date unknown}, https://www.amazon.com/gp/product/B011FP01UA/ref=oh_aui_search_detailpage?ie=UTF8&pssc=1.

iOttie, iOttie iTap Magnetic Air Vent Premium Car Mount Holder Cradle for iPhone X 8/8s 7 7 Plus 6s Plus 6s 6 SE Samsung Galaxy S8 Plus S8 Edge S7 S6 Note 8 5, Publication Date: Sep. 2017 {earliest/exact publication date unknown}, https://www.amazon.com/gp/product/B00Q3G8LPQ/ref=oh_aui_search_detailpage?ie=UTF8&pssc=1.

Aukey, Aukey Car Mount Air Vent Magnetic Cell Phone Holder for iPhone 7/6S/Plus/Samsung/Mini Tablets and other Android, Windows Smartphones, Publication Date: Sep. 2017 {earliest/exact publication date unknown}, https://www.amazon.com/gp/product/B01B2R3QNW/ref=oh_aui_search_detailpage?ie=UTF8&pssc=1.

Scosche, Scosche MAGVM2 MagicMount Vent Mount for Mobile Devices, Publication Date: Sep. 2017 {earliest/exact publication date unknown}, https://www.amazon.com/gp/product/B00PMOCI72/ref=oh_aui_search_detailpage?ie=UTF8&pssc=1.

Spinido, Spinido Magnetic Car Vent Mount Holder for iPhone 7/6s Plus/iPad mini, Publication Date: Sep. 2017 {earliest/exact publication date unknown}, https://www.amazon.com/gp/product/B01E58LHWC/ref=oh_aui_search_detailpage?ie=UTF8&pssc=1.

Techmatte, Dashboard Mount TechMatte MagGrip Dashboard and Windshield Magnetic Universal Car Mount Holder for Smartphones including iPhone X, 8, 7, 6, 6S, Galaxy S8, S7, S7 Edge—Black, Publication Date: Sep. 2017 {earliest/exact publication date unknown}, https://www.amazon.com/Dashboard-TechMatte-Windshield-Universal-Smartphones/dp/B01780KZMW/ref=sr_1_5?s=wireless&ie=UTF8&qid=1507681675&sr=1-5&keywords=suction+cup+phone+mount.

Scosche, Scosche MAGWSM2 MagicMount Suction Mount for Mobile Devices, Publication Date: Sep. 2017 {earliest/exact publication date unknown}, https://www.amazon.com/Scosche-MAGWSM2-MagicMount-Suction-Devices/dp/B00R2K4LCY/ref=sr_1_18?s=wireless&ie=UTF8&qid=1507681675&sr=1-18&keywords=suction+cup+phone+mount.

iOttie, Car Mount, iOttie Easy View Universal Car Mount Holder for iPhone 7 6s 5s 5c, Samsung Galaxy S6 Edge Plus S6 S5 S4—Retail Packaging—Black, Publication Date: Sep. 2017 {earliest/exact publication date unknown}, https://www.amazon.com/iOttie-Universal-Holder-iPhone-Samsung/dp/B00B78MT44/ref=sr_1_15?s=wireless&ie=UTF8&qid=1507682778&sr=1-15&keywords=iottie.

Ztechworld, Ztechworld Universal Suction Cup Car Mount Mobile Phone Holder for iPhone 7 Plus 6S 6/ Samsung Galaxy S7 S6 Edge Note 3 4 5/ Android Phones and More, Sticky Silicone Base, 360 Rotation, Red Clip, Publication Date: Sep. 2017 {earliest/exact publication date unknown}, https://www.amazon.com/Ztechworld-Universal-Suction-Silicone-Rotation/dp/B06XGWRX9V/ref=sr_1_11?s=wireless&ie=UTF8&qid=1507681675&sr=1-11&keywords=suction+cup+phone+mount.

LAX Gadgets, LAX Universal Dashboard-mounted Smart Phone Holder with Non-Slip Grip Bracket—Compatible with Most Smartphones & Mini Tablets—360 Degrees Swivel Mount—Super Stable Suction Cup Car Mount, Publication Date: Sep. 2017 {earliest/exact publication date unknown}, https://www.amazon.com/LAX-Universal-Dashboard-mounted-Non-Slip-Bracket/dp/B073SKDVLW/ref=sr_1_43?s=wireless&ie=UTF8&qid=1507681896&sr=1-43&keywords=suction+cup+phone+mount.

iOttie, iOttie Easy View 2 Car Mount Holder for iPhone 7 7 Plus, 6s Plus 6s 5s 5c, Samsung Galaxy S8 S7 Edge Plus S7 S6, Note 5—Retail Packaging—Black, Publication Date: Sep. 2017 {earliest/exact publication date unknown}, https://www.amazon.com/iOttie-Holder-Samsung-Retail-Packaging/dp/B00JUXPHWE/ref=sr_1_13?s=wireless&ie=UTF8&qid=1507682834&sr=1-13&keywords=iottie.

Design U.S. Appl. No. 29/683,242, filed Mar. 12, 2019 by Yao et al. Office Action dated Apr. 2, 2019, Canadian Application No. 182114. Office Action dated Apr. 2, 2019, Canadian Application No. 182115. U.S. Appl. No. 29/663,047, filed Sep. 11, 2018.

U.S. Appl. No. 29/663,049, filed Sep. 11, 2018.

Office Action dated Sep. 13, 2018, in U.S. Appl. No. 29/625,650, filed Nov. 10, 2017.

Office Action dated Sep. 13, 2018, in U.S. Appl. No. 29/625,651, filed Nov. 10, 2017.

* cited by examiner

Primary Examiner — Jeffrey D Asch

Assistant Examiner — Rebekah A Caruso

(74) *Attorney, Agent, or Firm* — Vierra Magen Marcus LLP

(57)

CLAIM

The ornamental design for a dashboard vent mount for an electronic device, as shown and described.

DESCRIPTION

FIG. 1 is a rear perspective view of a dashboard vent mount for an electronic device with its vent attachment jaws in a closed position;

FIG. 2 is a front perspective view of the dashboard vent mount for an electronic device with its vent attachment jaws in the closed position;

FIG. 3 is a front elevational view of the dashboard vent mount for an electronic device;

FIG. 4 is a rear elevational view of the dashboard vent mount for an electronic device with its vent attachment jaws in the closed position;

FIG. 5 is a bottom plan view of the dashboard vent mount for an electronic device with its vent attachment jaws in the closed position;

FIG. 6 is a top plan view of the dashboard vent mount for an electronic device with its vent attachment jaws in the closed position;

FIG. 7 is a right elevational view of the dashboard vent mount for an electronic device with its vent attachment jaws in the closed position;

FIG. 8 is a left elevational view of the dashboard vent mount for an electronic device with its vent attachment jaws in the closed position;

FIG. 9 is a rear perspective view of the dashboard vent mount for an electronic device with its vent attachment jaws in an open position;

FIG. 10 is a front perspective view of the dashboard vent mount for an electronic device with its vent attachment jaws in the open position;

FIG. 11 is a rear elevational view of the dashboard vent mount for an electronic device with its vent attachment jaws in the open position; and,

FIG. 12 is a right elevational view of the dashboard vent mount for an electronic device with its vent attachment jaws in the open position, with the left elevation view of the dashboard vent mount for an electronic device with its vent

attachment jaws in the open position being a mirror image of the right elevation view in FIG. 12.

1 Claim, 3 Drawing Sheets

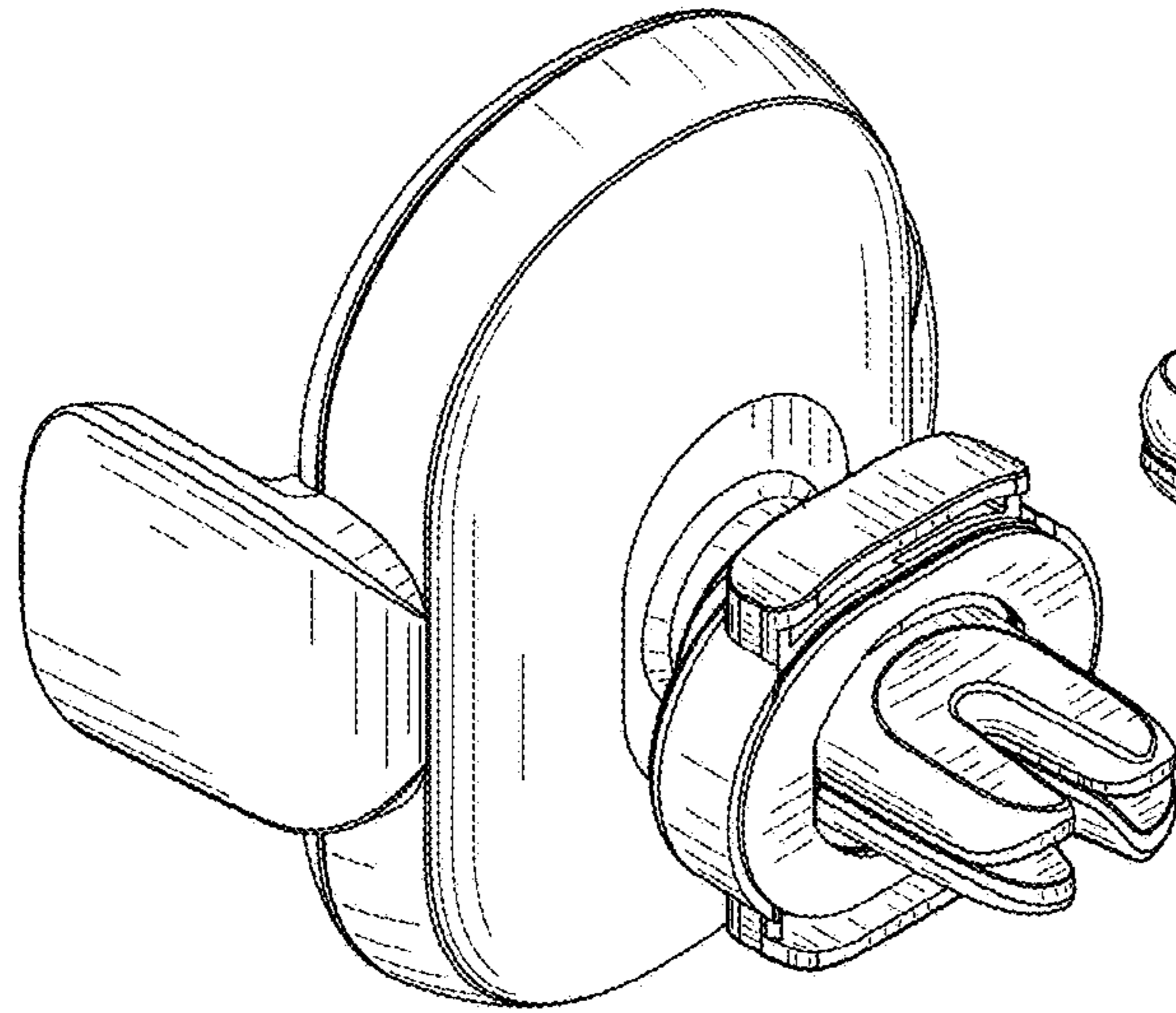


FIG. 1

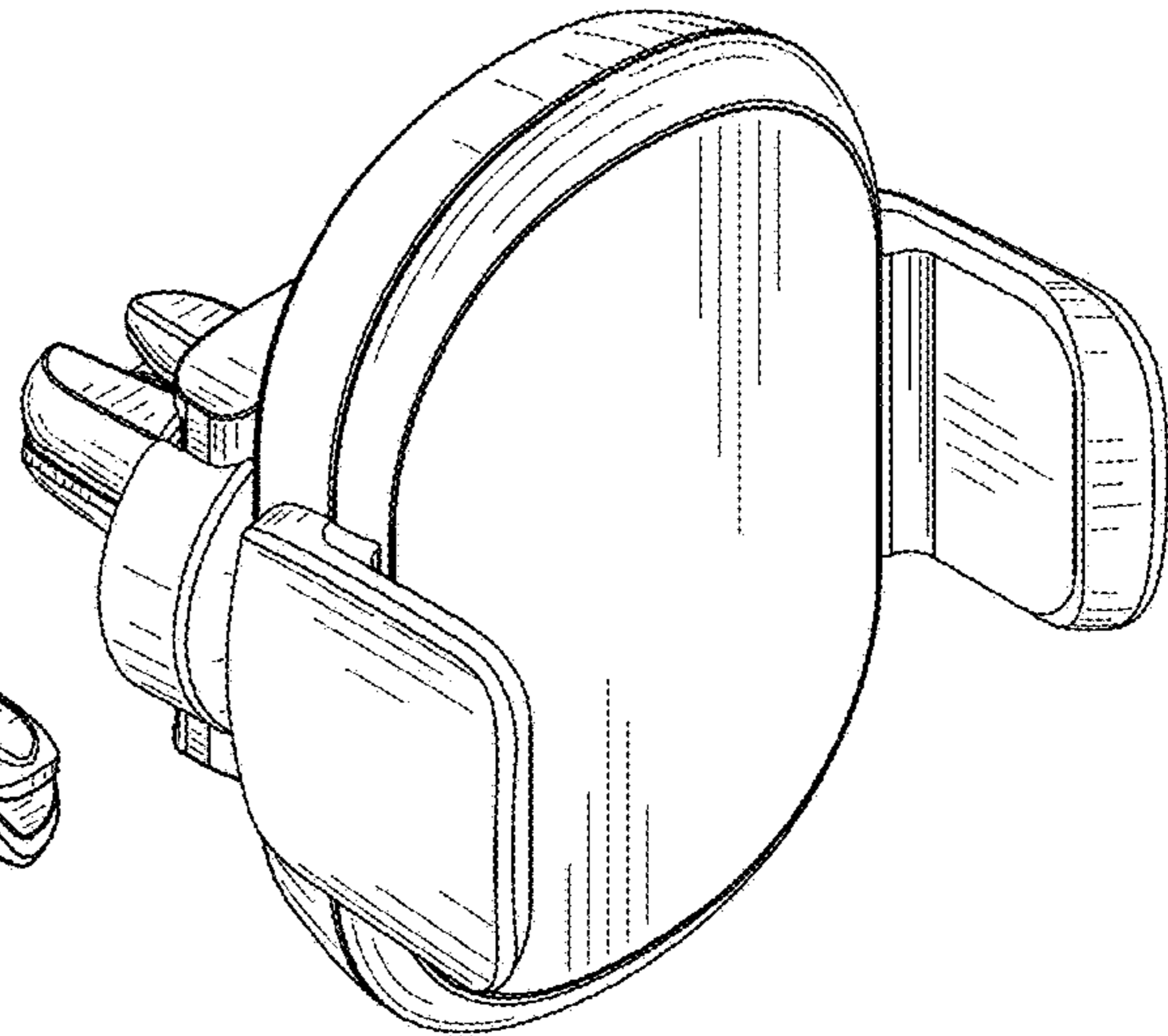


FIG. 2

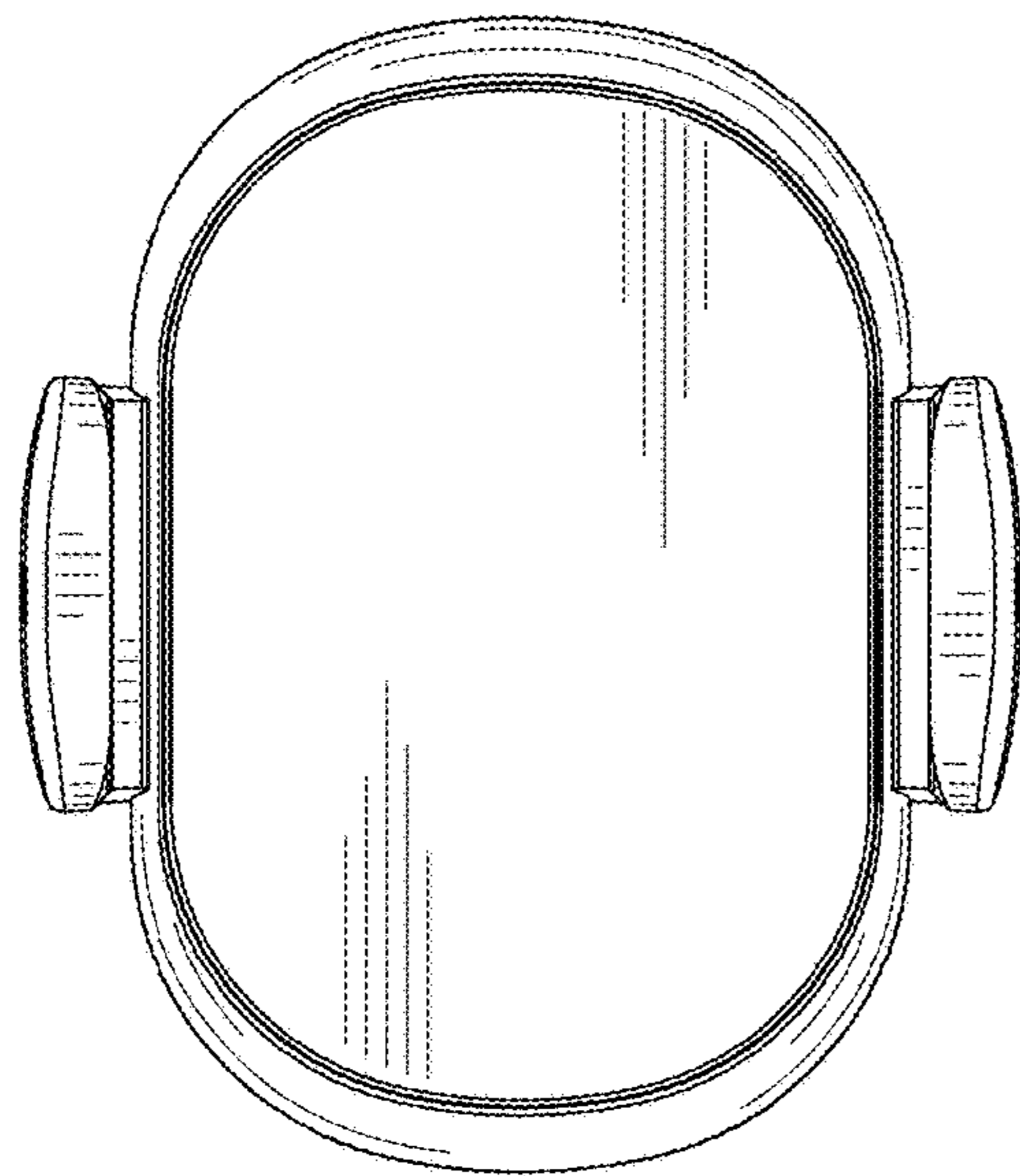


FIG. 3

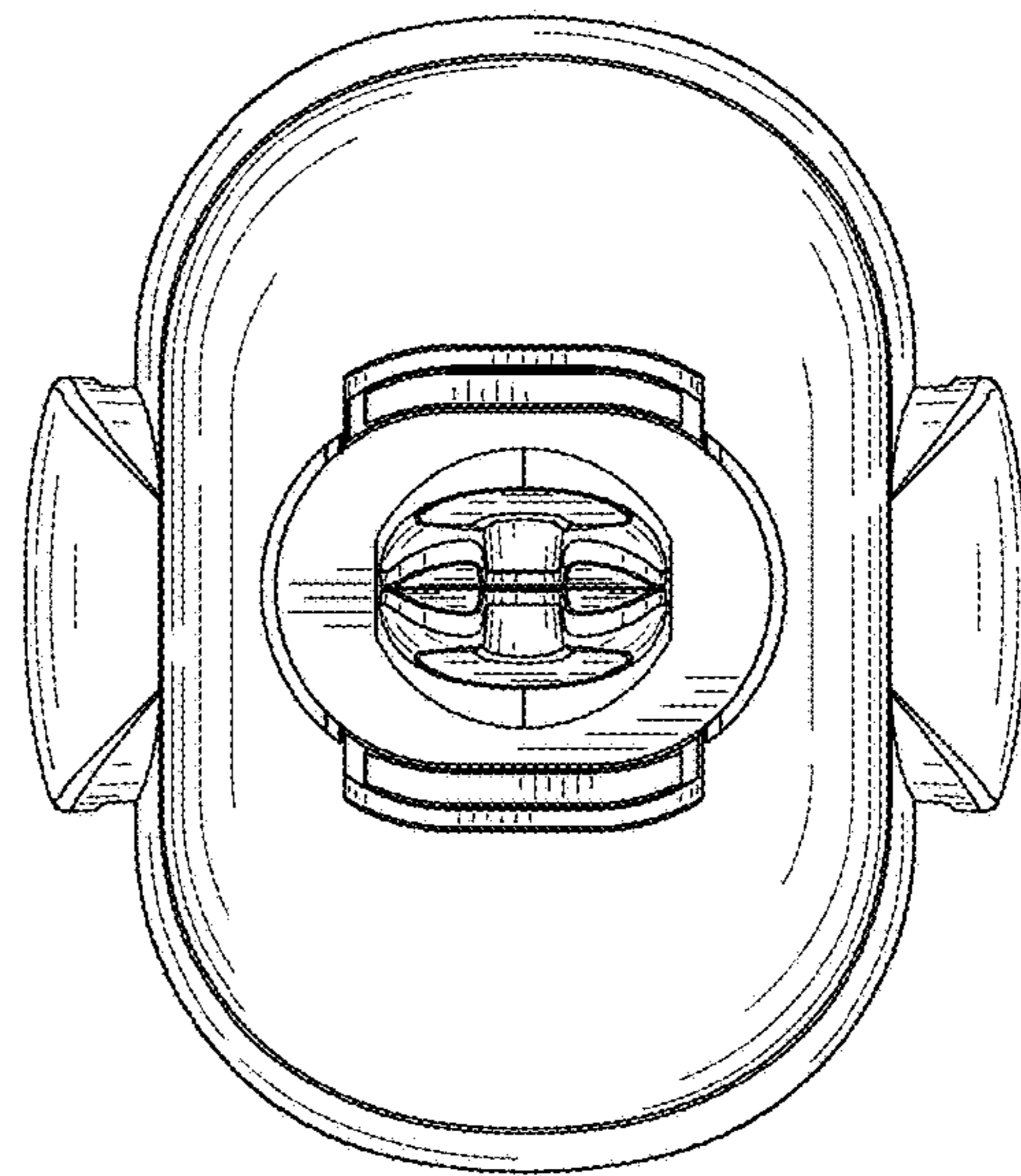


FIG. 4

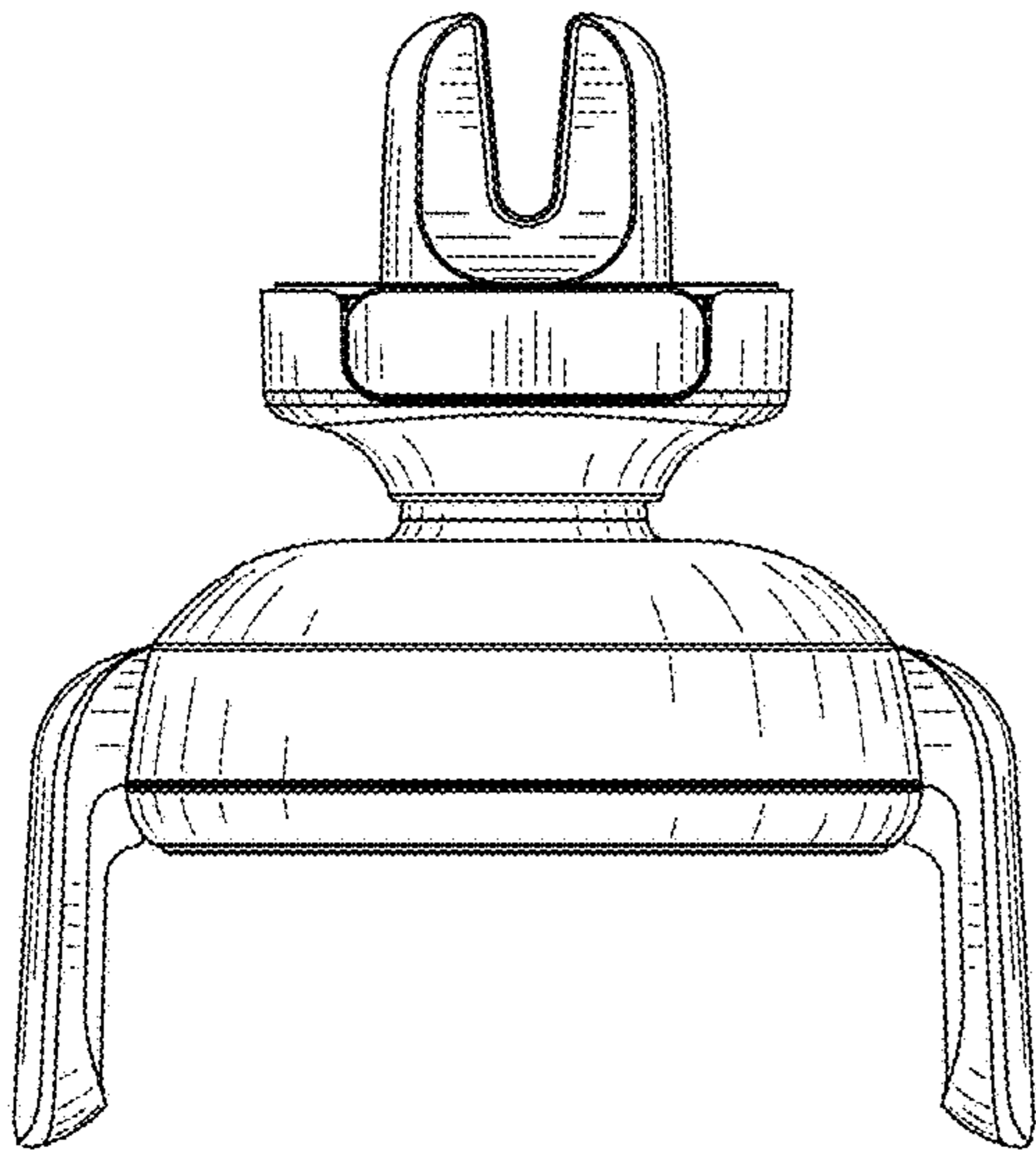


FIG. 5

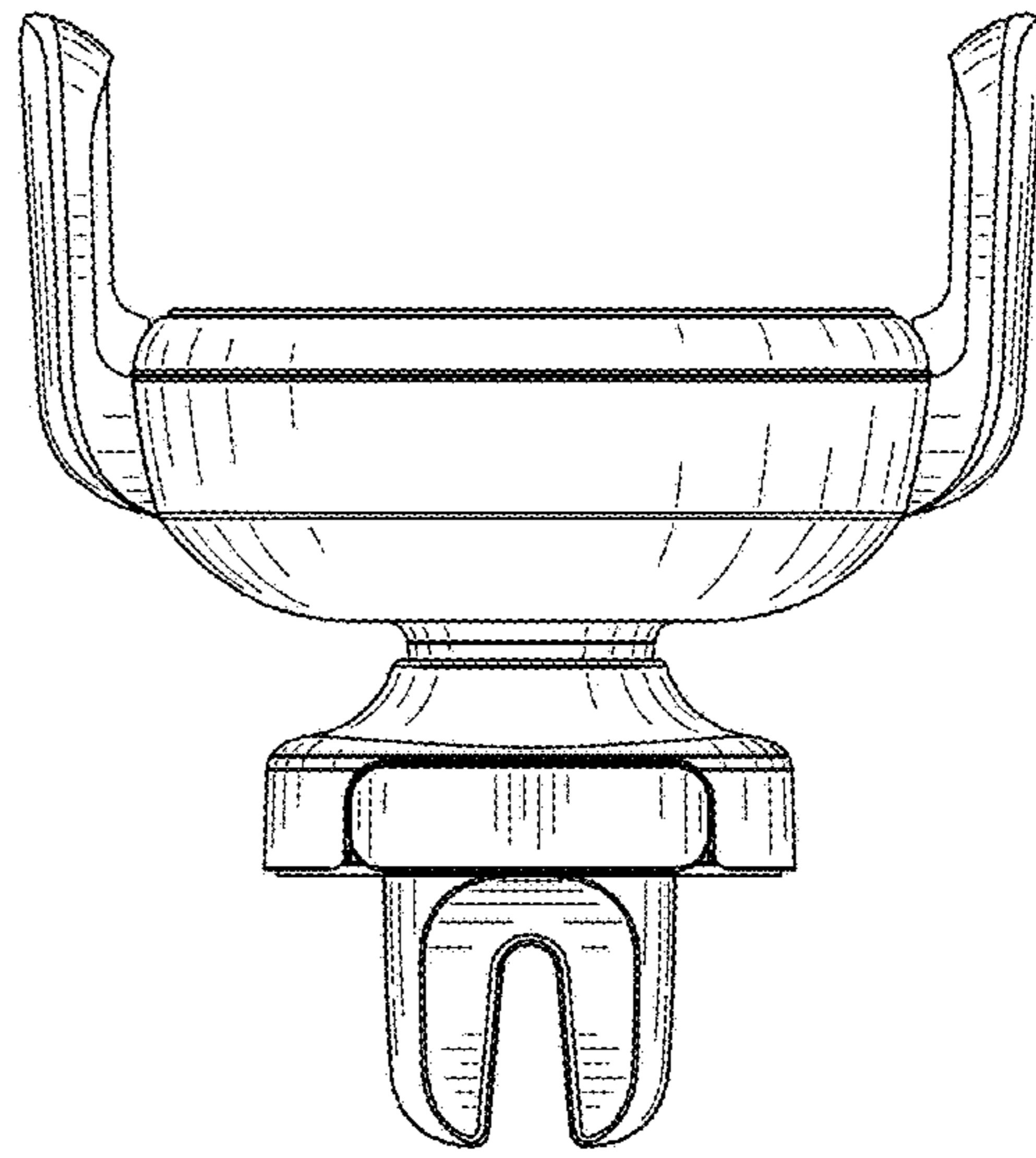


FIG. 6

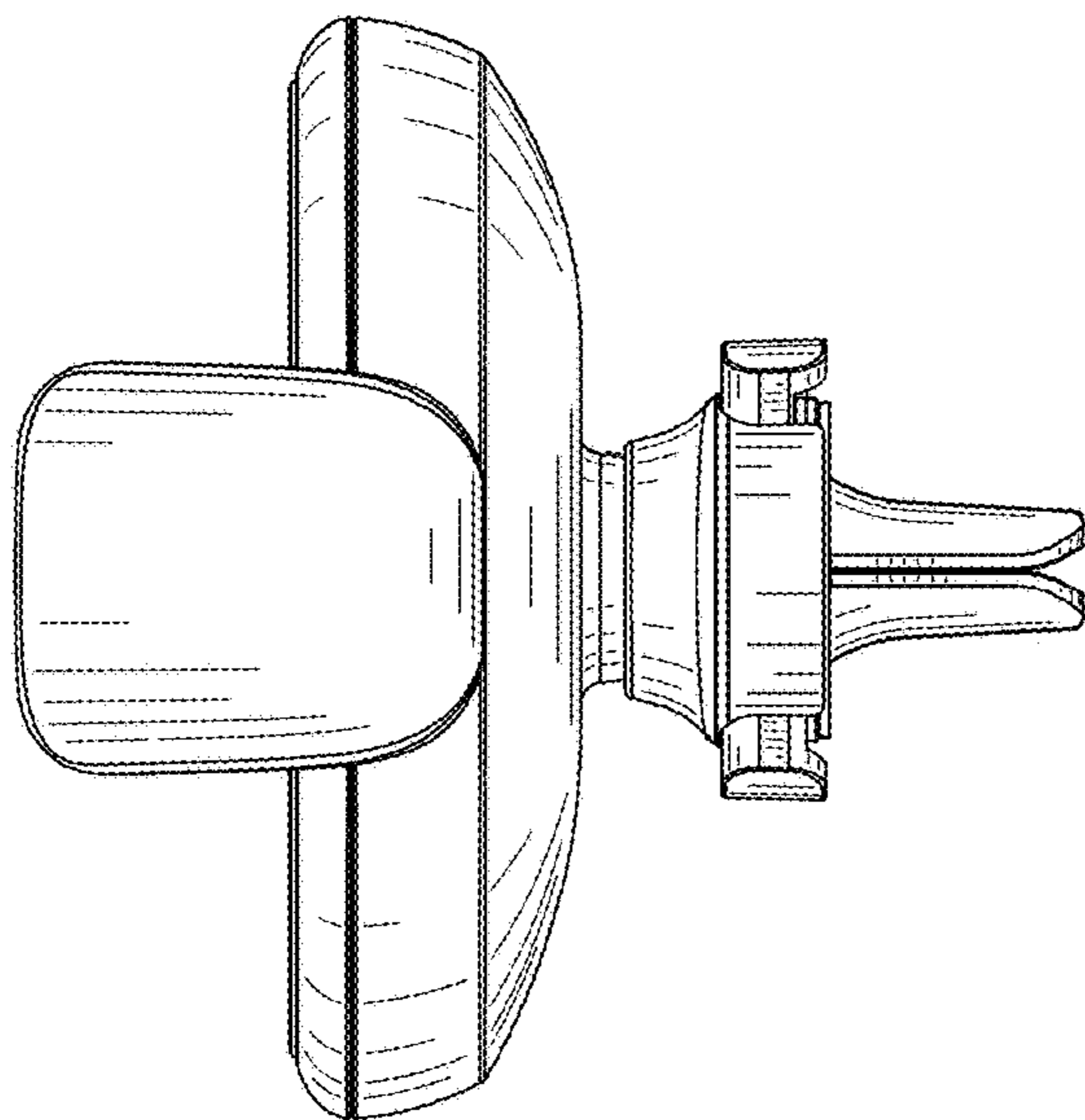


FIG. 7

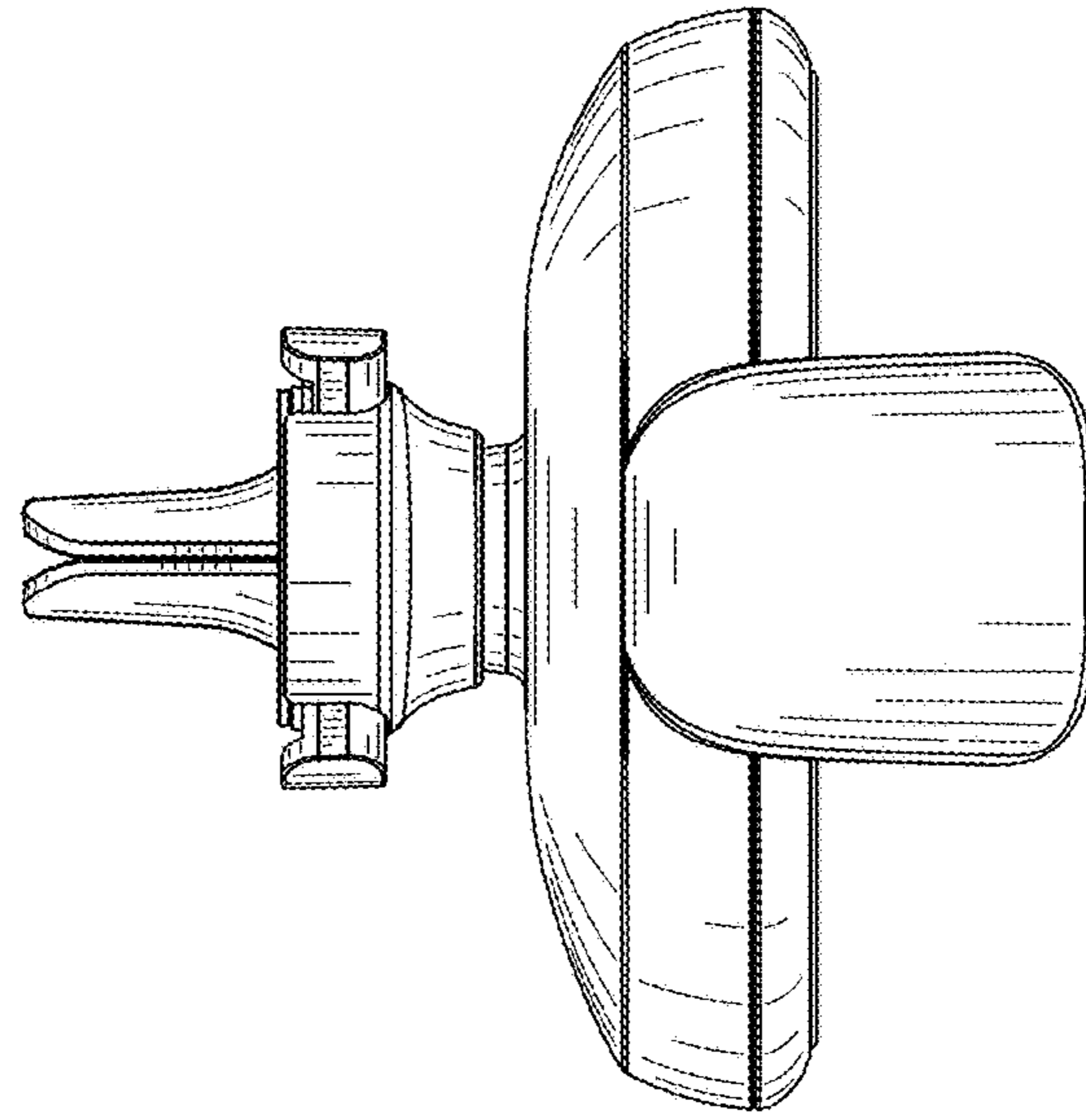


FIG. 8

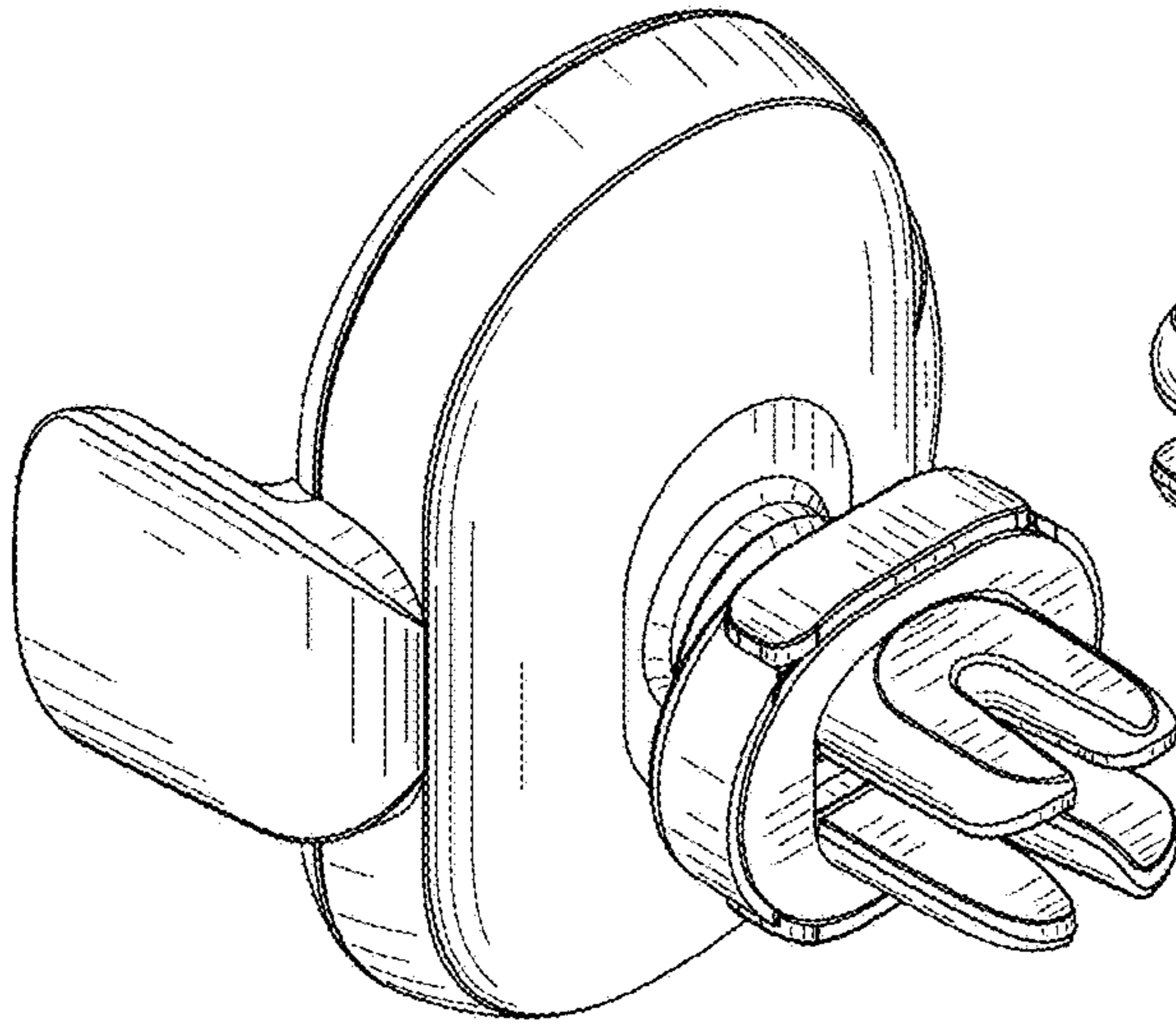


FIG. 9

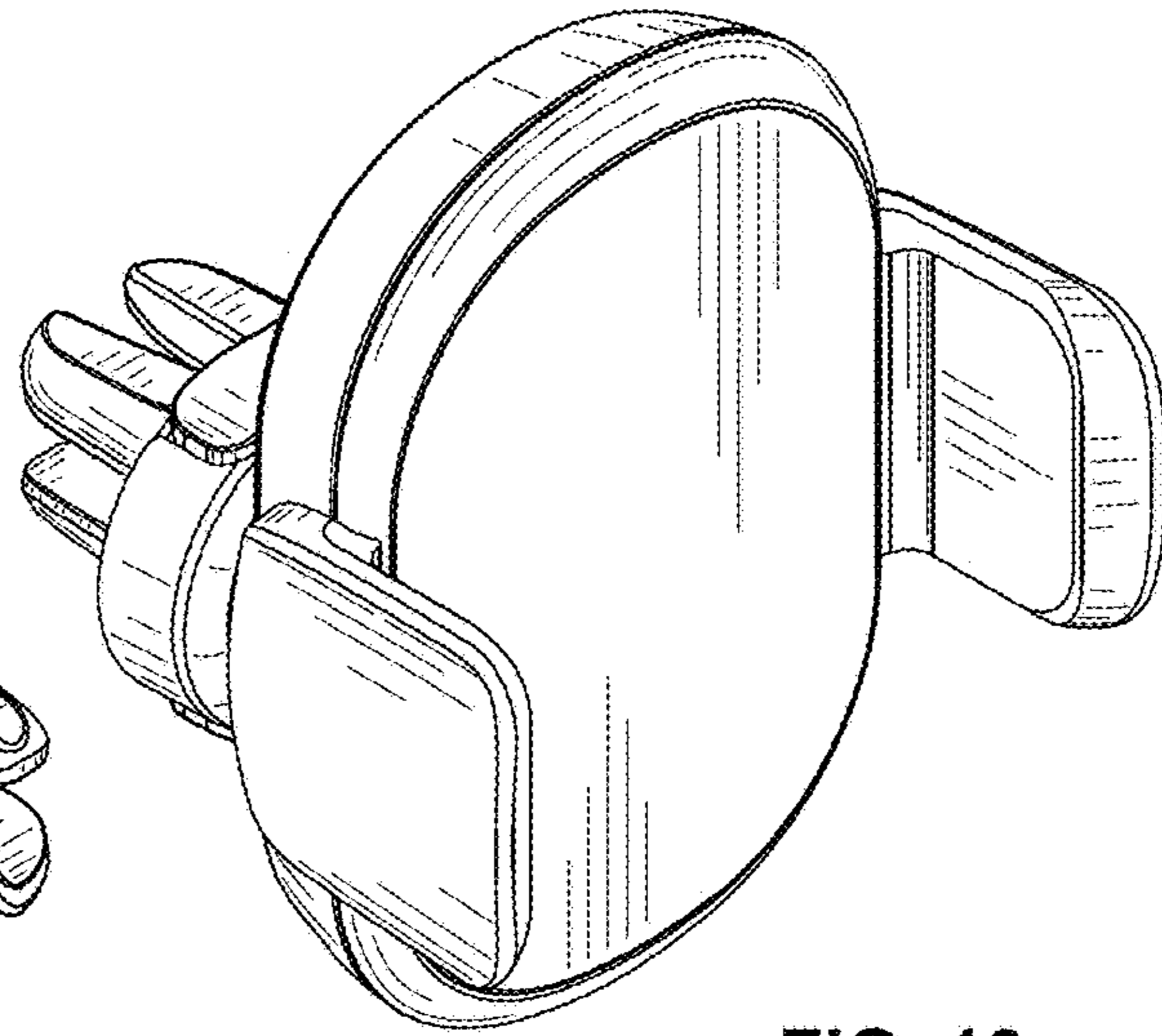


FIG. 10

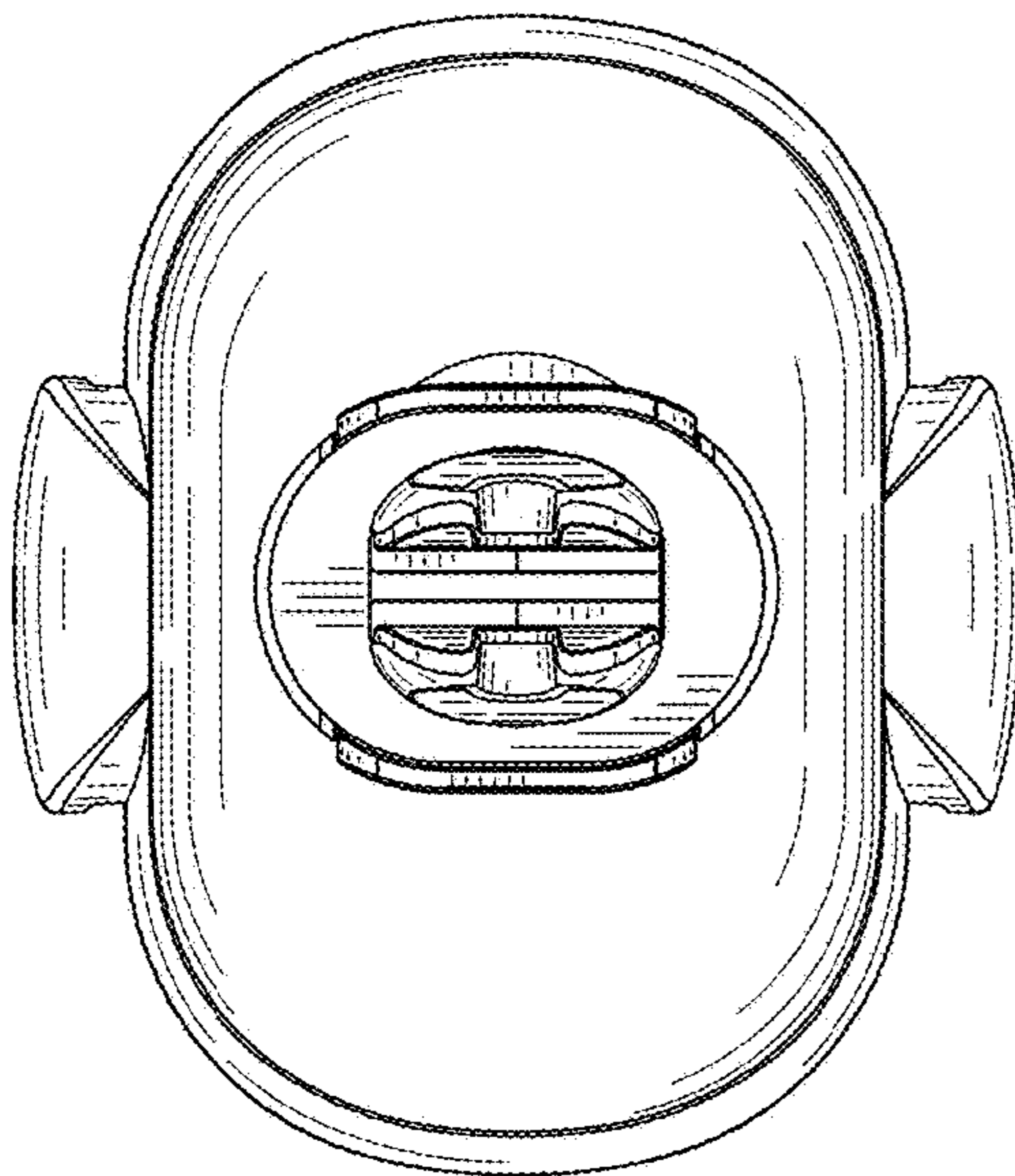


FIG. 11

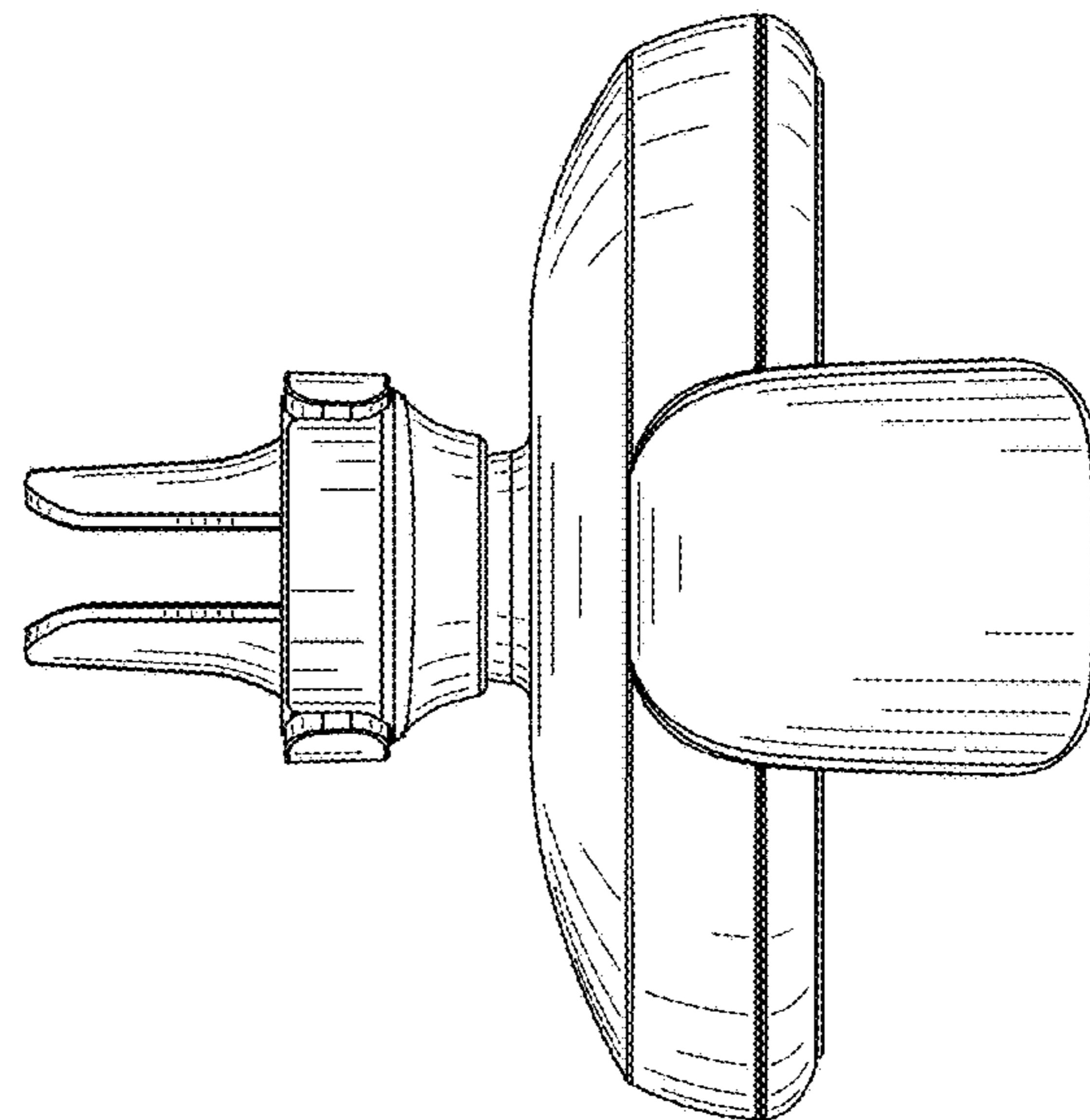


FIG. 12