



US00D858507S

(12) **United States Design Patent** (10) **Patent No.:** **US D858,507 S**
Jang (45) **Date of Patent:** **** Sep. 3, 2019**

(54) **STAND FOR A MOBILE TELEPHONE**

(71) Applicant: **AAUXX KOREA CO., LTD.**, Seoul (KR)

(72) Inventor: **Jintae Jang**, Seoul (KR)

(73) Assignee: **AAUXX KOREA CO., LTD.**, Seoul (KR)

(**) Term: **15 Years**

(21) Appl. No.: **35/503,868**

(22) Filed: **Apr. 24, 2017**

(80) **Hague Agreement Data**

Int. Filing Date: **Apr. 24, 2017**

Int. Reg. No.: **DM/096059**

Int. Reg. Date: **Apr. 24, 2017**

Int. Reg. Pub. Date: **Oct. 27, 2017**

(51) **LOC (12) Cl.** **14-03**

(52) **U.S. Cl.**

USPC **D14/251**; D33/218

(58) **Field of Classification Search**

USPC D14/250–254, 432, 440, 447, 451–452;
D3/218, 247, 249

CPC H04M 1/0281; H04B 1/385; H04B
2001/3861

See application file for complete search history.

(56) **References Cited**

U.S. PATENT DOCUMENTS

D584,049 S *	1/2009	Uzelac	D3/247
D615,078 S *	5/2010	Bradley	D14/250
D624,909 S *	10/2010	Huskinson	D14/250
D630,624 S *	1/2011	Corley	D14/248
D641,154 S *	7/2011	Smith	D3/218
D660,305 S *	5/2012	Ho	D14/447
D723,800 S *	3/2015	Ziegler	D3/247
D747,317 S *	1/2016	Oakley	D14/432
D747,321 S *	1/2016	London	D14/440
D749,069 S *	2/2016	Senoff	D14/251

D762,199 S *	7/2016	Lee	D14/250
D763,857 S *	8/2016	Dang	D14/440
D765,662 S *	9/2016	Kang	D14/251
D775,619 S *	1/2017	Tien	D14/250
D782,488 S *	3/2017	Kim	D14/447
D788,092 S *	5/2017	Phang	D14/250
D811,412 S *	2/2018	McCurdy	D14/440
D815,086 S *	4/2018	Jeon	D14/251
D829,701 S *	10/2018	Kim	D14/250
D830,354 S *	10/2018	Deng	D14/250
D832,244 S *	10/2018	Poon	D14/250

(Continued)

OTHER PUBLICATIONS

Cross Pattern Leather Ring Holder, posted at AliExpress, posting date Sep. 1, 2016. [site visited Jul. 18, 2018] URL: <<https://www.aliexpress.com/item/For-Iphone-5-5s-6-6s-Cases-Cross-Pattern-Leather-Ring-Holder-Back-Card-Holder-Phone/32713983990.html>> (Year: 2016).*

(Continued)

Primary Examiner — George D. Kirschbaum

Assistant Examiner — Kathleen L Jones

(74) *Attorney, Agent, or Firm* — Revolution IP, PLLC

(57) **CLAIM**

The ornamental design for a stand for a mobile telephone, as shown and described.

DESCRIPTION

1. Stand for a mobile telephone

1.1 : Perspective

1.2 : Front

1.3 : Back

1.4 : Top

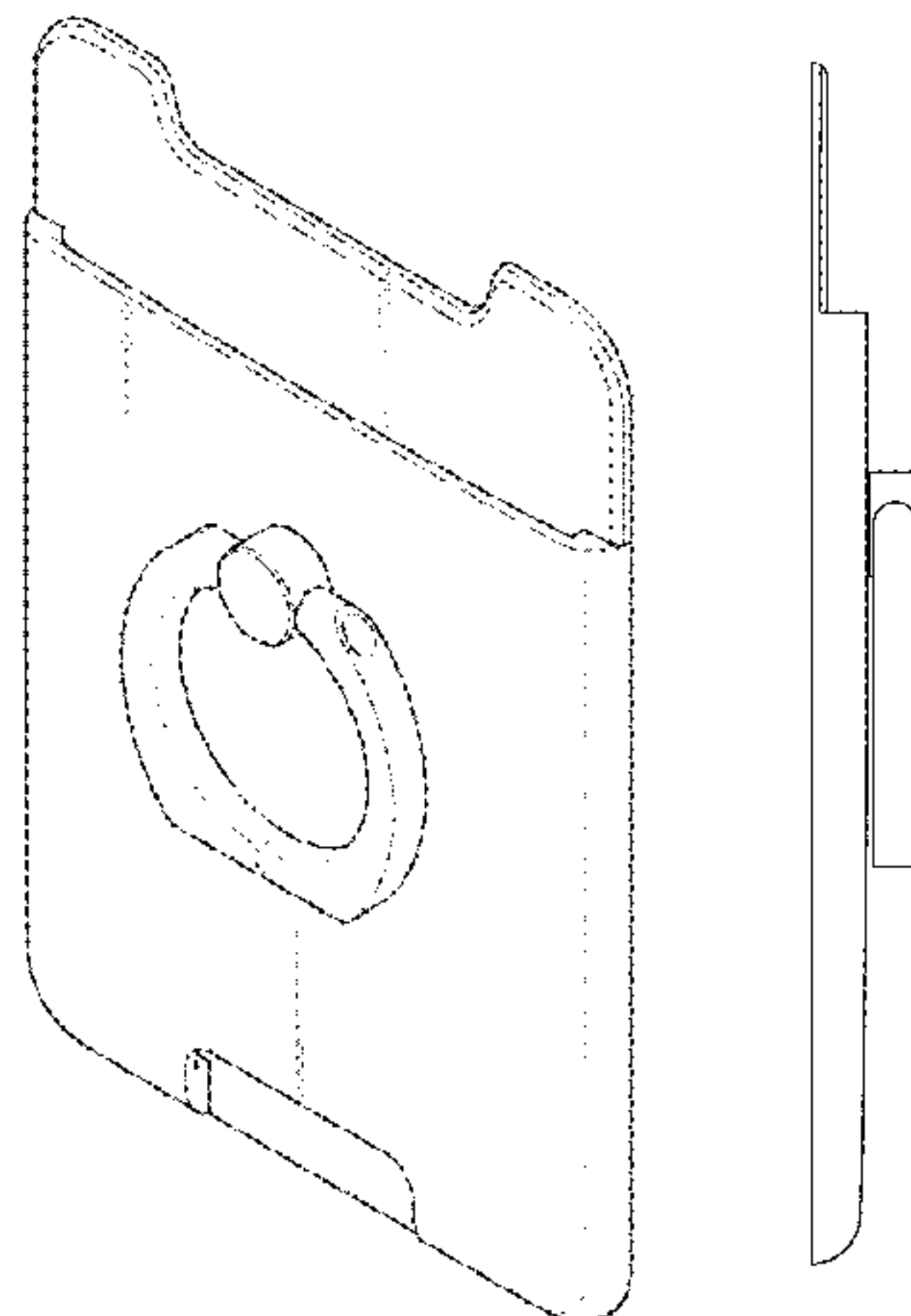
1.5 : Bottom

1.6 : Left

1.7 : Right

The broken lines showing a portion of a stand for a mobile telephone are for illustrative purposes only and form no part of the claimed design.

1 Claim, 7 Drawing Sheets



(56)

References Cited

U.S. PATENT DOCUMENTS

D832,830	S *	11/2018	Kim	D14/250
D837,197	S *	1/2019	Kim	D14/250
D837,781	S *	1/2019	Ingram	D14/250
D845,954	S *	4/2019	Bae	D14/434
2013/0279098	A1 *	10/2013	Cho	H05K 7/00 361/679.01
2014/0084034	A1 *	3/2014	Wangercyn, Jr.	H04B 1/385 224/217
2015/0035304	A1 *	2/2015	Xiao	A45F 5/00 294/137
2015/0312389	A1 *	10/2015	Curran	H04B 1/385 455/575.6
2016/0039357	A1 *	2/2016	Jang	A45F 5/00 224/567
2016/0192752	A1 *	7/2016	Lach	A45C 11/00 206/45.2
2018/0069580	A1 *	3/2018	Harris-Johnson	H04B 1/385
2018/0302114	A1 *	10/2018	Nielsen	A45F 5/10

OTHER PUBLICATIONS

IPhone 8 Plus Wallet Case, posted at Amazon, review posted Mar. 7, 2017. [site visited Jul. 18, 2018] URL: <https://www.amazon.com/IPhone-Wallet-Genuine-Leather-Credit/product-reviews/B01LY6QCEX/ref=cm_cr_dp_d_show_all_btm?ie=UTF8&reviewerType=all_reviews> (Year: 2017).*

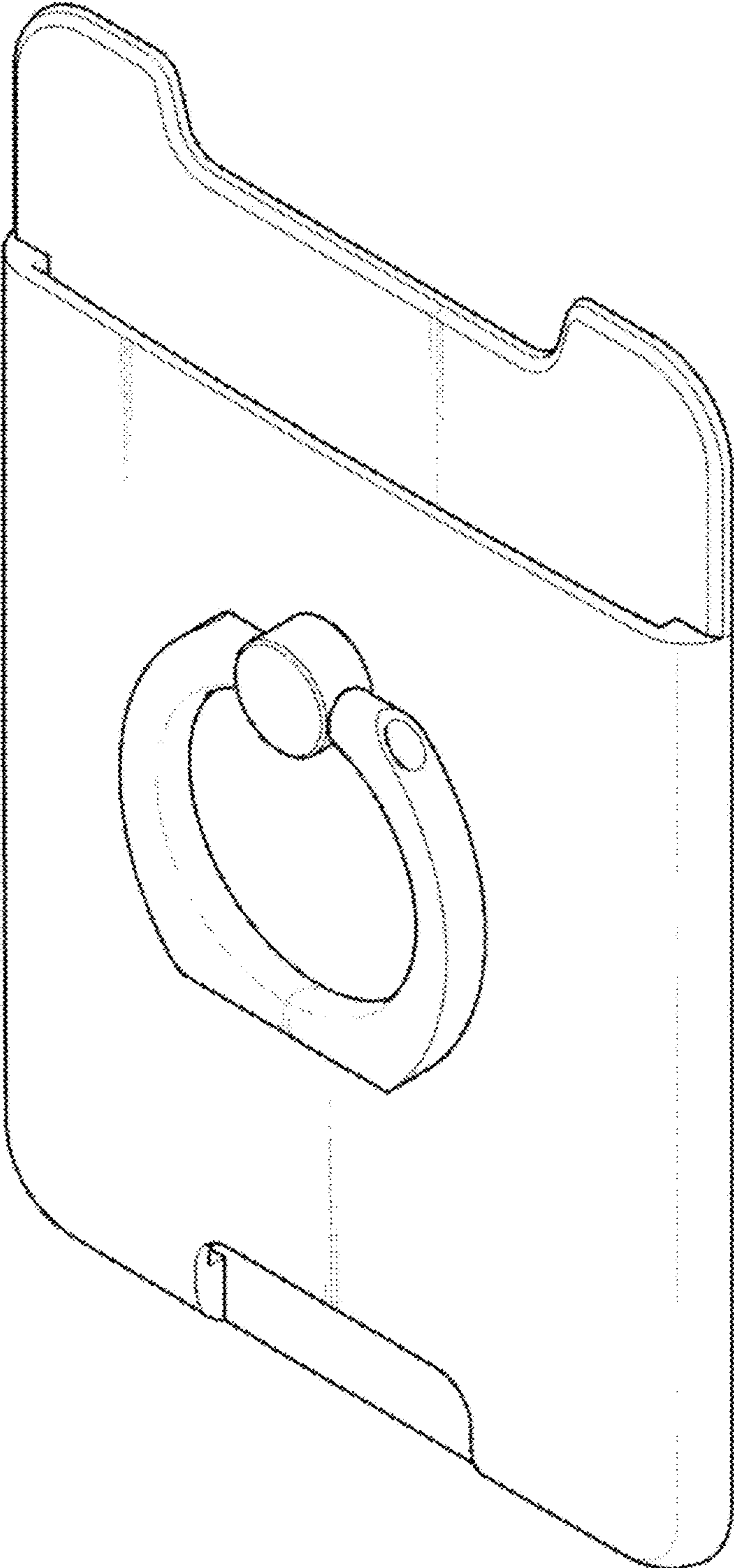
Pierre Cardin Card Holder, posted at TVCMALL, posting date Dec. 16, 2016. [site visited Jul. 18, 2018] URL: <<https://www.tvc-mall.com/details/pierre-cardin-card-holder-genuine-leather-skin-hard-cover-for-iphone-7-with-finger-ring-kickstand-yellow-sku10116300b.html>> (Year: 2016).*

IRing Pocket, posted at AAUXX, posting date not available. [site visited Jul. 18, 2018] URL: <<http://www.aauxx.com/iring-pocket/?ckattempt=1>>.*

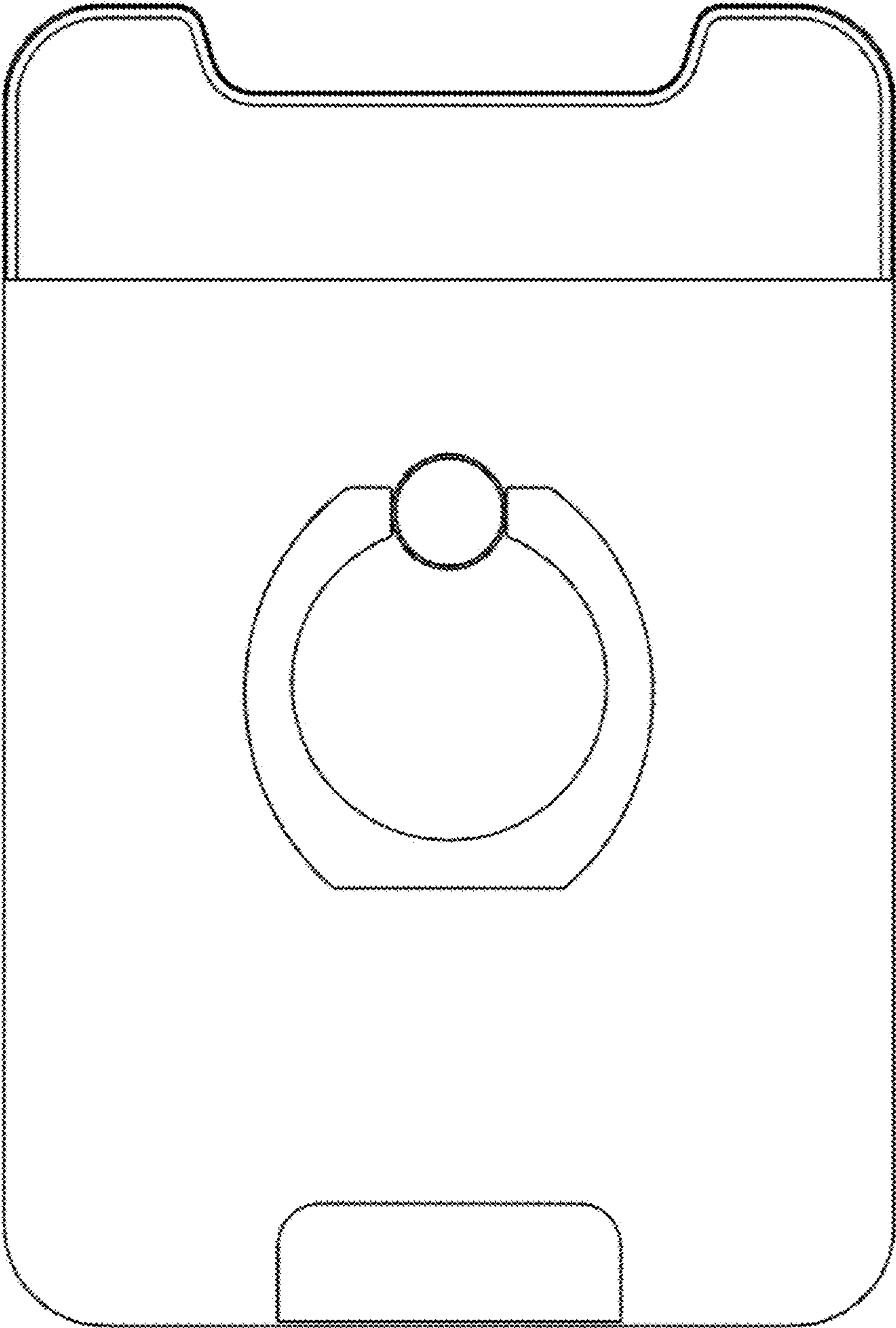
Tuscany Card Holder with Metal Ring Phone Stand, posted at Quality Logo Products, posting date not available. [site visited Jul. 18, 2018] URL: <<https://www.qualitylogoproducts.com/cell-phone-wallets/tuscany-card-holder-with-metalringphonestand.htm>>.*

* cited by examiner

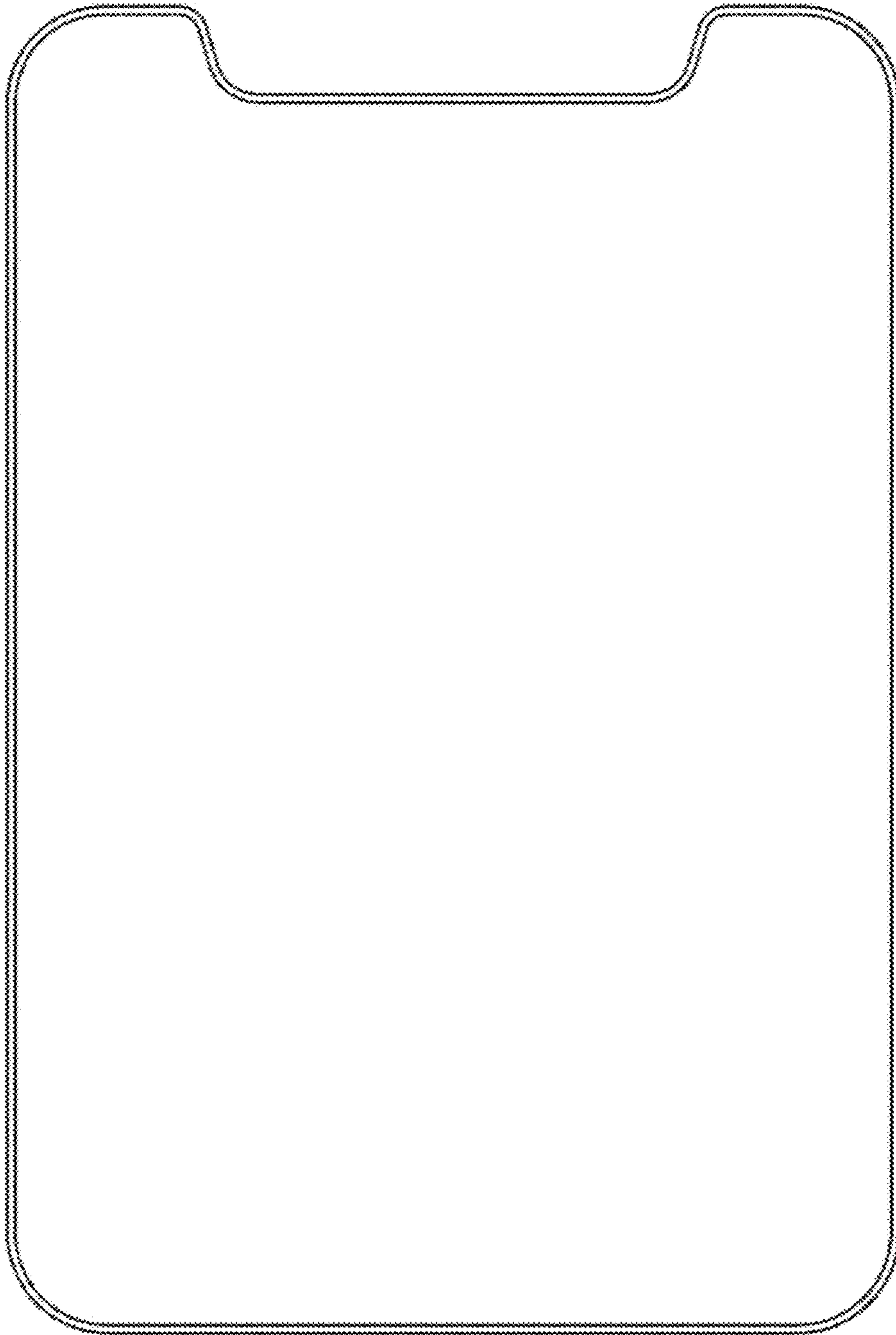
1.1



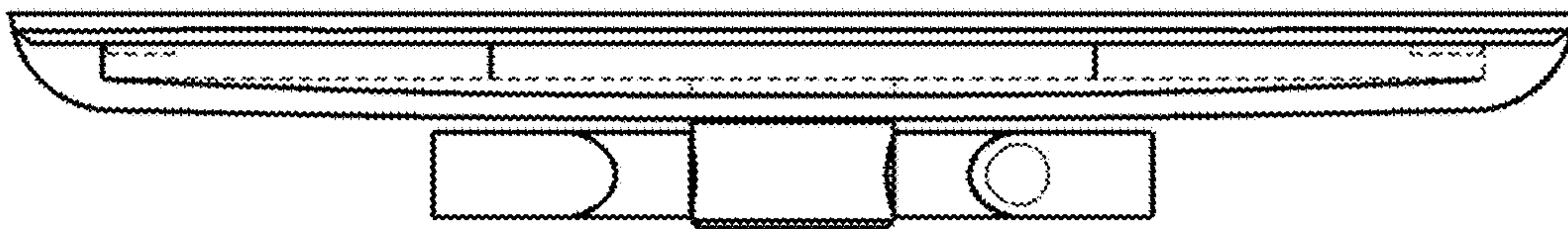
1. 2



1.3



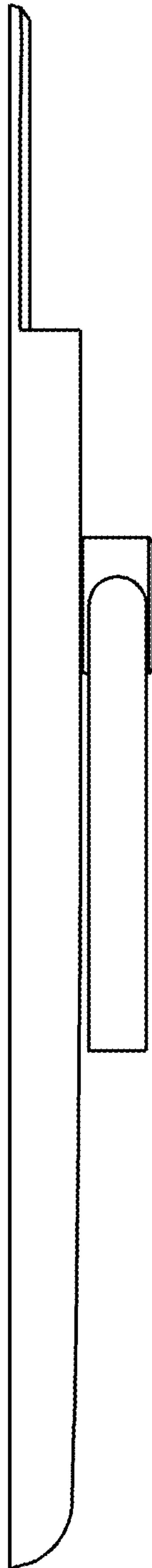
1.4



1.5



1. 6



1.7

