



US00D858503S

(12) **United States Design Patent** (10) **Patent No.:** **US D858,503 S**
Qi (45) **Date of Patent:** **** Sep. 3, 2019**

(54) **WATER-REPELLENT PROTECTIVE MOBILE PHONE CASE**

(71) Applicant: **Haibo Qi**, Hunan (CN)

(72) Inventor: **Haibo Qi**, Hunan (CN)

(**) Term: **15 Years**

(21) Appl. No.: **29/630,950**

(22) Filed: **Dec. 25, 2017**

(30) **Foreign Application Priority Data**

Sep. 6, 2017 (CN) 2017 3 0419023

(51) **LOC (12) Cl.** **14-03**

(52) **U.S. Cl.**
USPC **D14/250**

(58) **Field of Classification Search**
USPC D14/250
CPC A45C 2011/002
See application file for complete search history.

(56) **References Cited**

U.S. PATENT DOCUMENTS

D644,218 S *	8/2011	Akana	D14/250
D812,600 S *	3/2018	Altaras	D14/250
D813,220 S *	3/2018	Wright	D14/250
D816,075 S *	4/2018	Cavenagh	D14/250
D816,655 S *	5/2018	Dennis	D14/250
D820,246 S *	6/2018	Li	D14/250
D835,089 S *	12/2018	Nelson	D14/250

OTHER PUBLICATIONS

Lifeproof FRE Series Waterproof Case for iPhone X, posted at amazon.com, posting date by Oct. 27, 2017, [online], [site visited May 15, 2019]. Available from Internet, <URL: https://www.amazon.com/Lifeproof-Waterproof-Case-iPhone-ONLY/dp/B00Z7SZBCW/> (Year: 2017).*

NexCase iPhone 7 Plus Waterproof Case, posted at amazon.com, posting date by Dec. 11, 2016, [online], [site visited May 15, 2019]. Available from Internet, <URL: https://www.amazon.com/NexCase-Waterproof-Full-body-Protector-Release/dp/B01MA47MLF/> (Year: 2016).*

OtterBox Commuter Series Case for iPhone X, posted at amazon.com, posting date by Jul. 20, 2018, [online], [site visited May 15, 2019]. Available from Internet, <URL: https://www.amazon.com/SNOWFOX-Shockproof-Dirtproof-Snowproof-Waterproof/dp/B0784VW2ZK/> (Year: 2018).*

Snowfox iPhone X Waterproof Case, posted at amazon.com, posting date by Jan. 9, 2018, [online], [site visited May 15, 2019]. Available from Internet, <URL: https://www.amazon.com/SPIDERCASE-Waterproof-Dustproof-Snowproof-Shockproof/dp/B078WPD2G5/> (Year: 2018).*

Spidercase iPhone X Waterproof Case, posted at amazon.com, posting date by Nov. 25, 2017, [online], [site visited May 15, 2019]. Available from Internet, <URL: https://www.amazon.com/SPIDERCASE-Waterproof-Dustproof-Snowproof-Shockproof/dp/B078WPD2G5/> (Year: 2017).*

* cited by examiner

Primary Examiner — George D. Kirschbaum
Assistant Examiner — Maria J Edwards
(74) *Attorney, Agent, or Firm* — Gokalp Bayramoglu

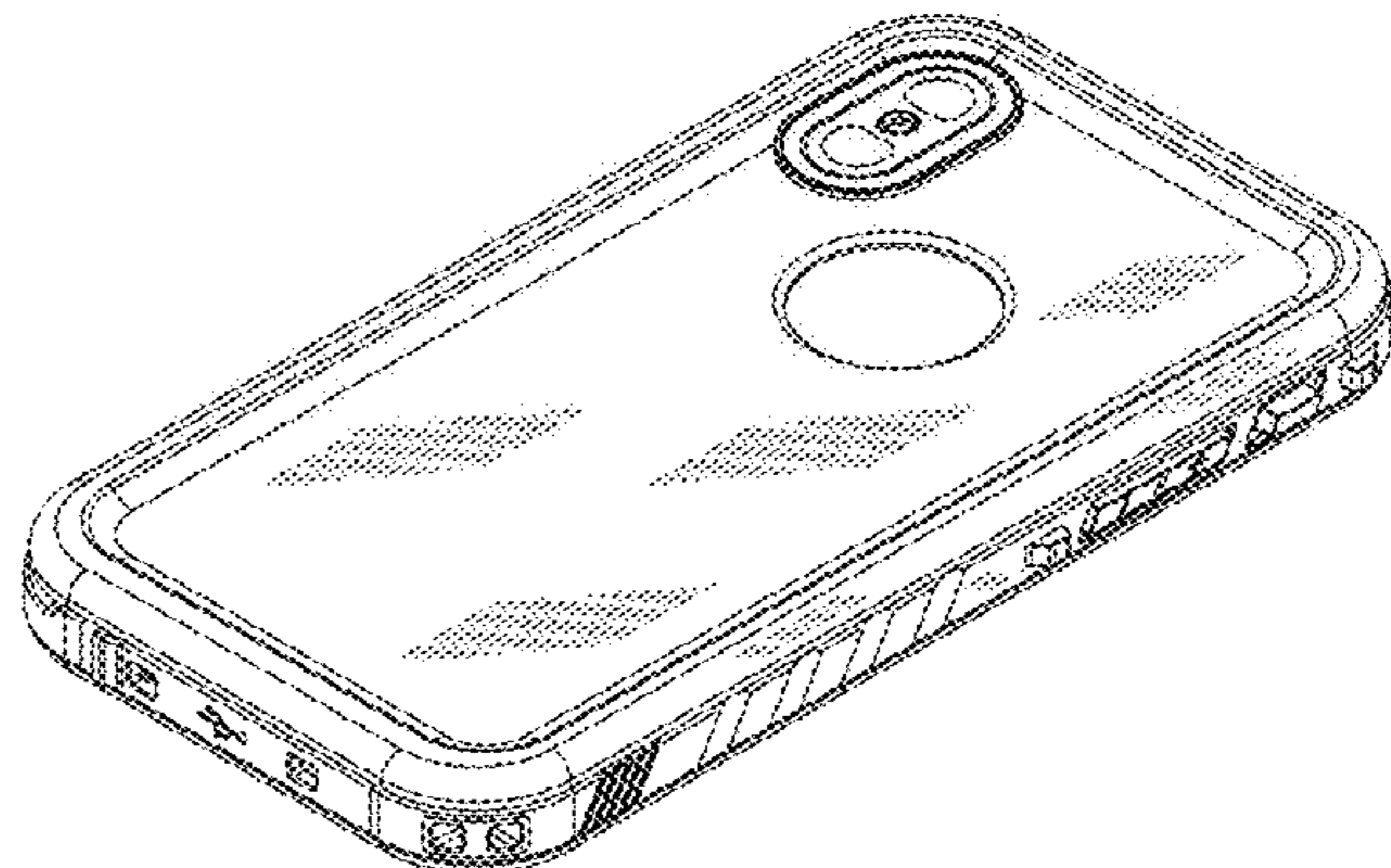
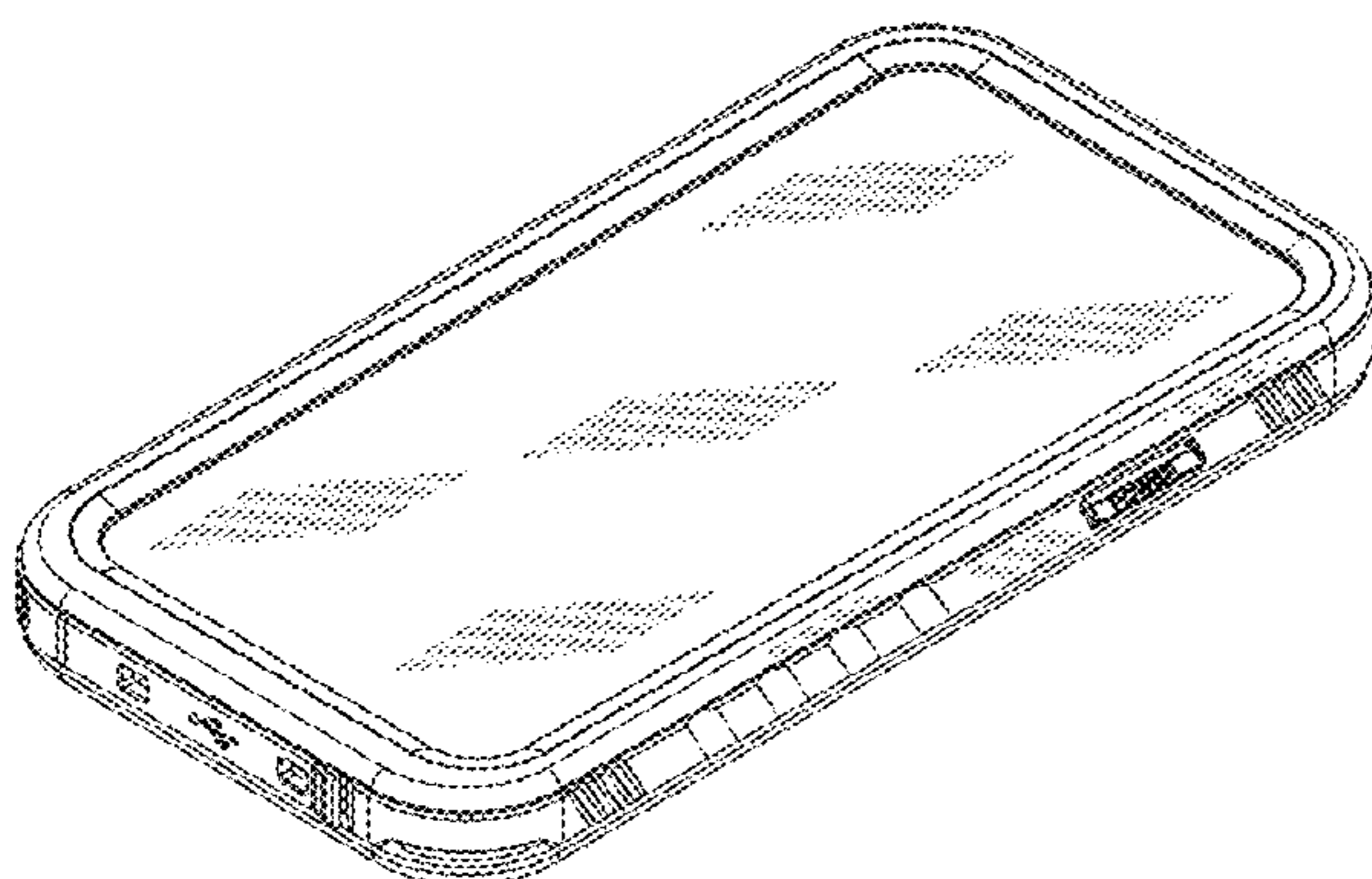
(57) **CLAIM**

The ornamental design for a water-repellent protective mobile phone case, as shown and described.

DESCRIPTION

FIG. 1 is a front elevational view of a water-repellent protective mobile phone case showing my new design; FIG. 2 is a rear elevational view thereof; FIG. 3 is a left side elevational view thereof; FIG. 4 is a right side elevational view thereof; FIG. 5 is a top plan view thereof; FIG. 6 is a bottom plan view thereof; FIG. 7 is a first perspective view thereof; and, FIG. 8 is a second perspective view thereof.

1 Claim, 7 Drawing Sheets



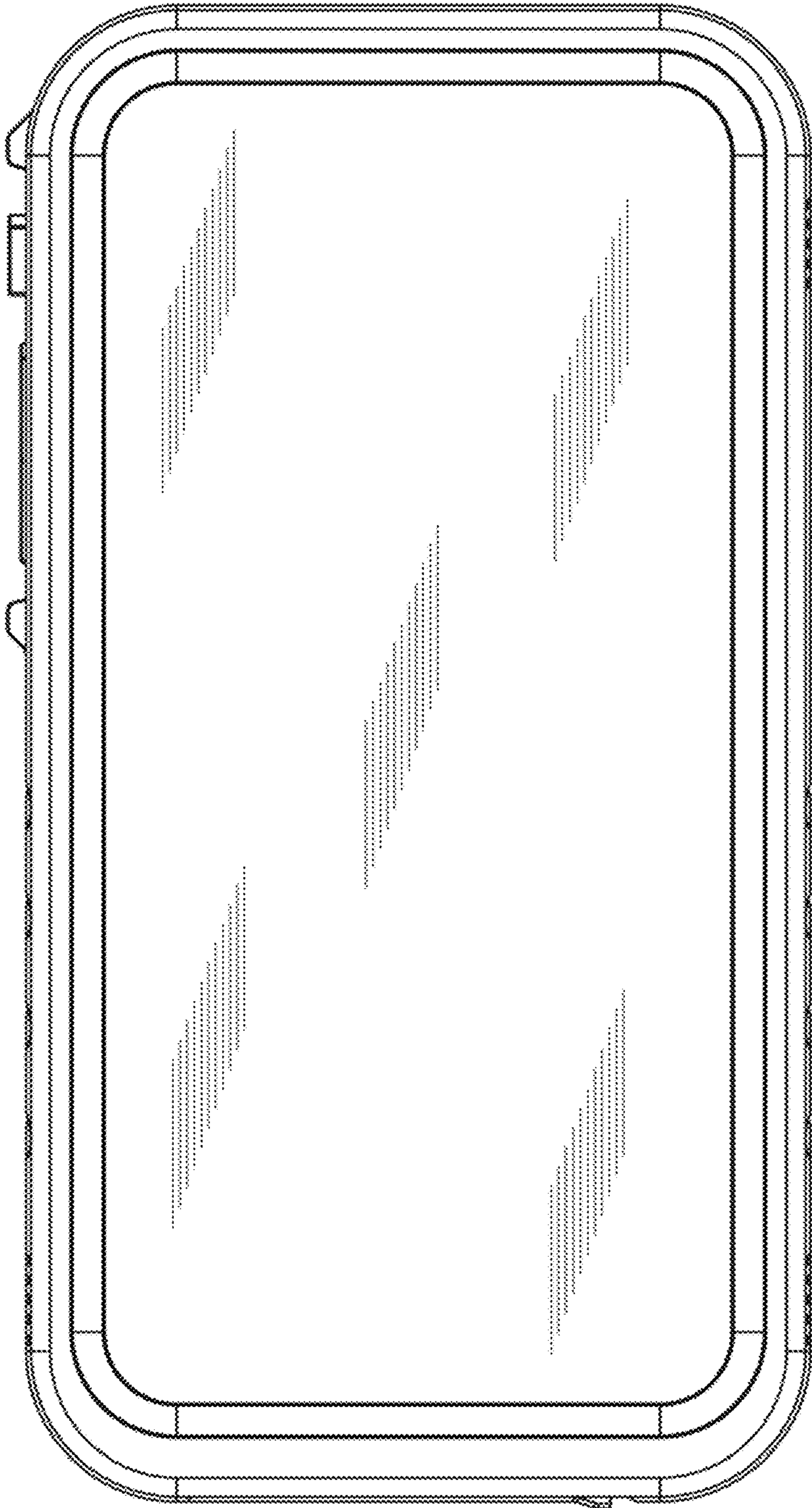


FIG. 1

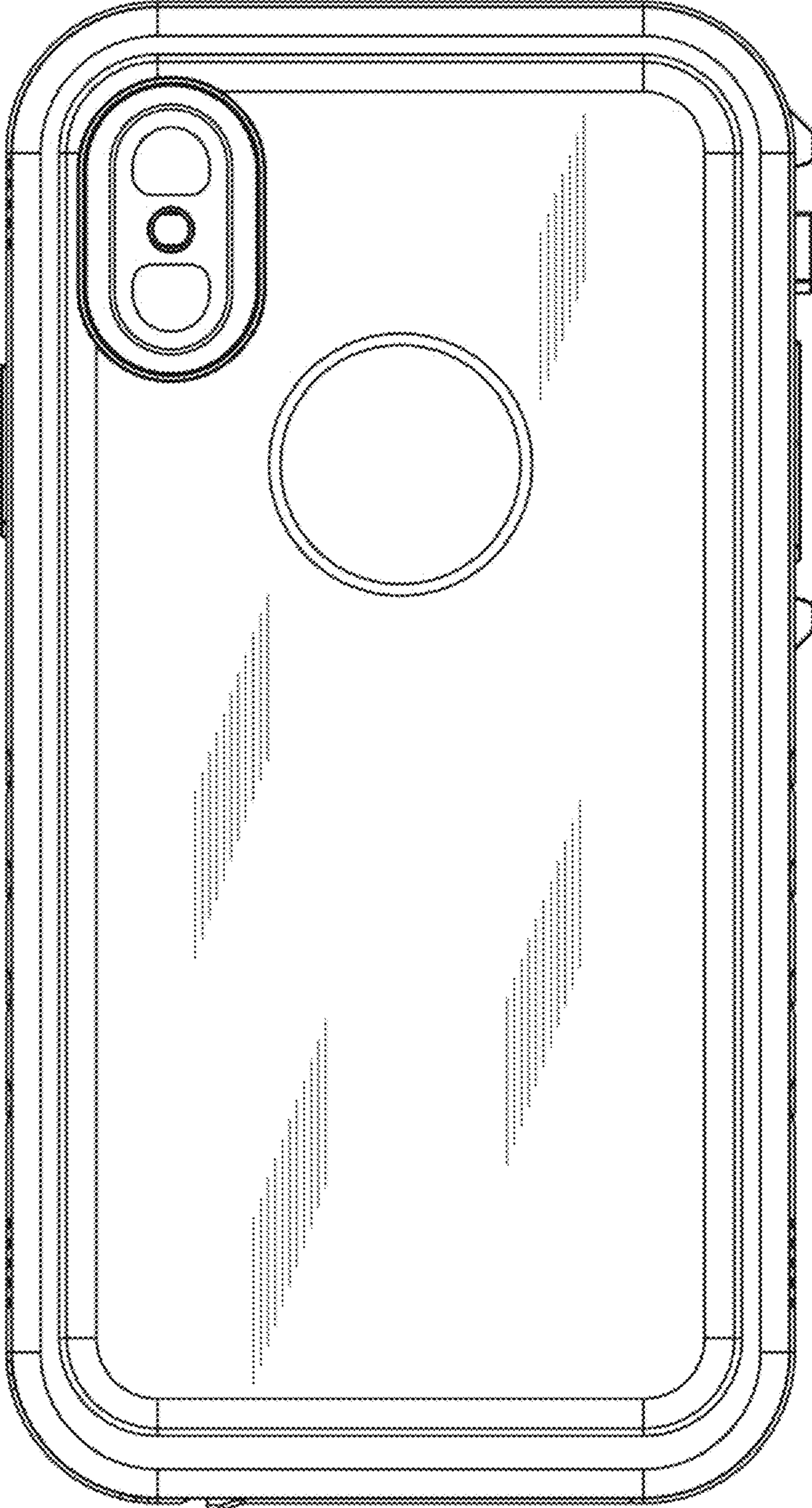


FIG. 2

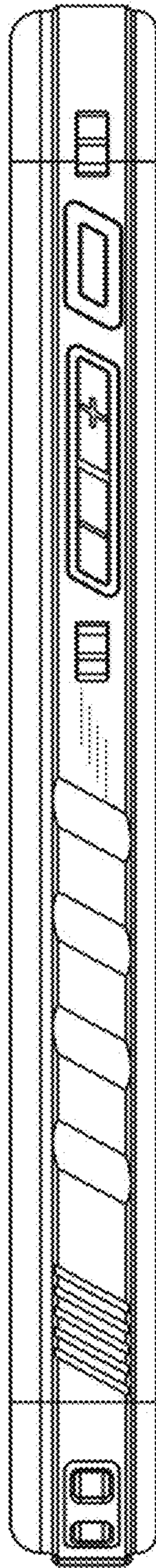


FIG. 3

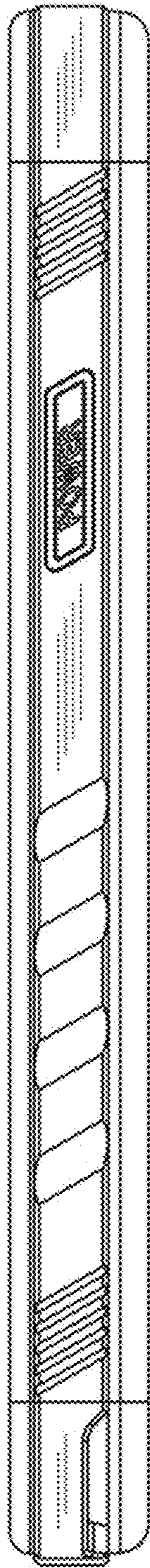


FIG. 4

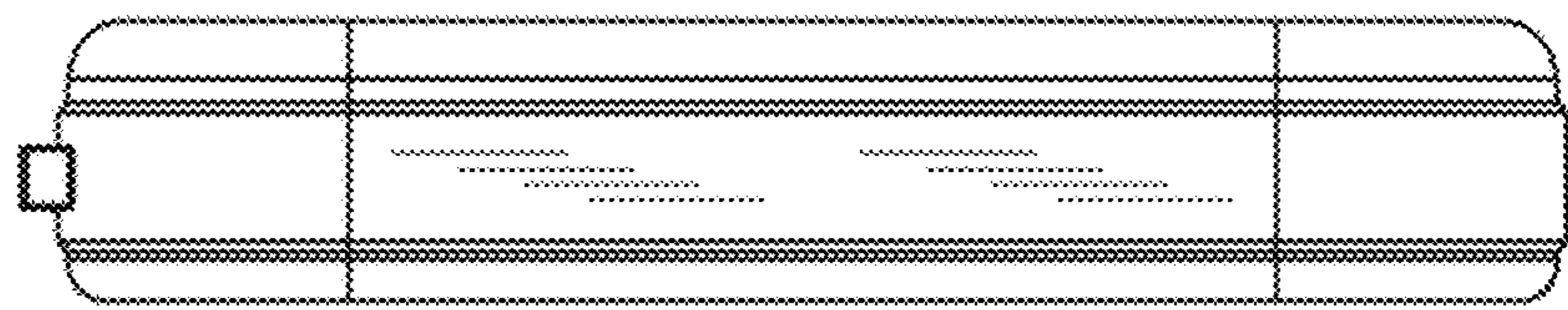


FIG. 5

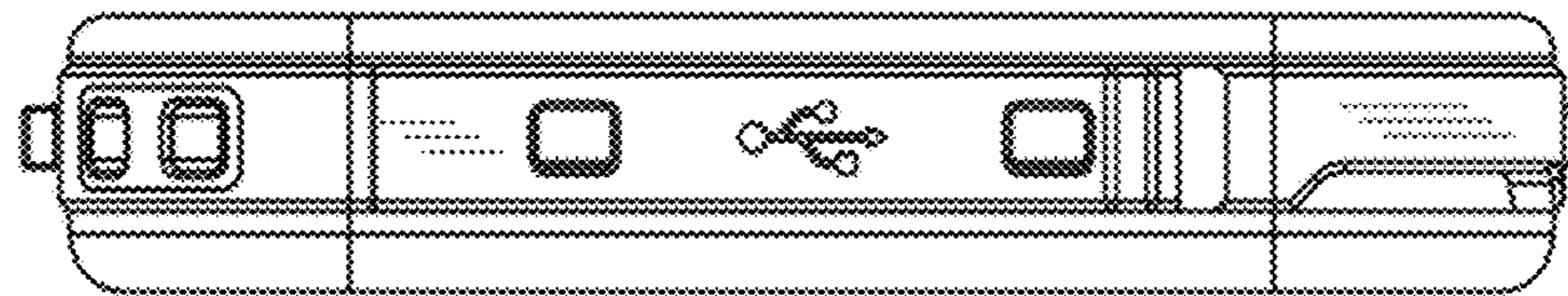


FIG. 6

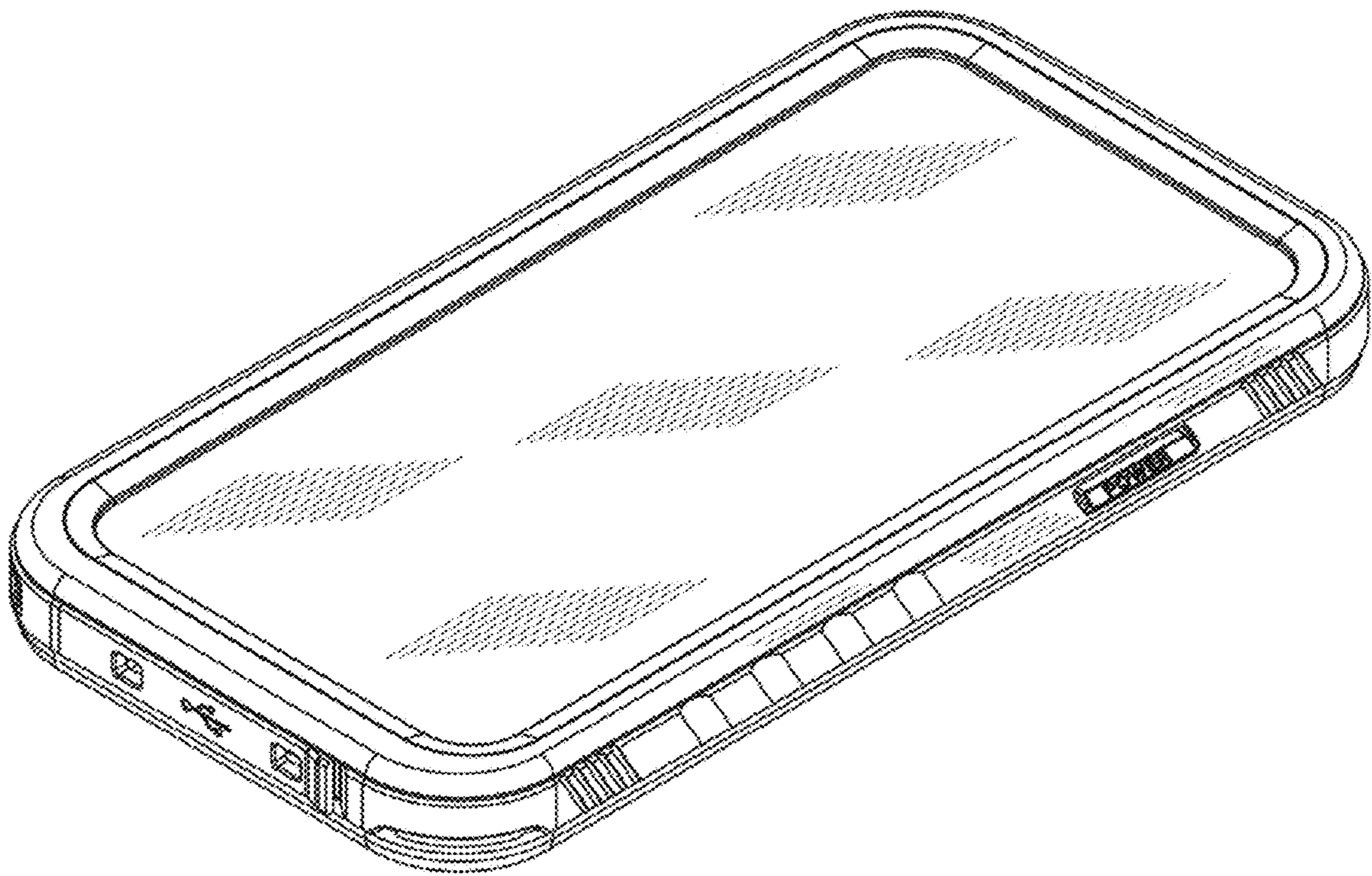


FIG. 7

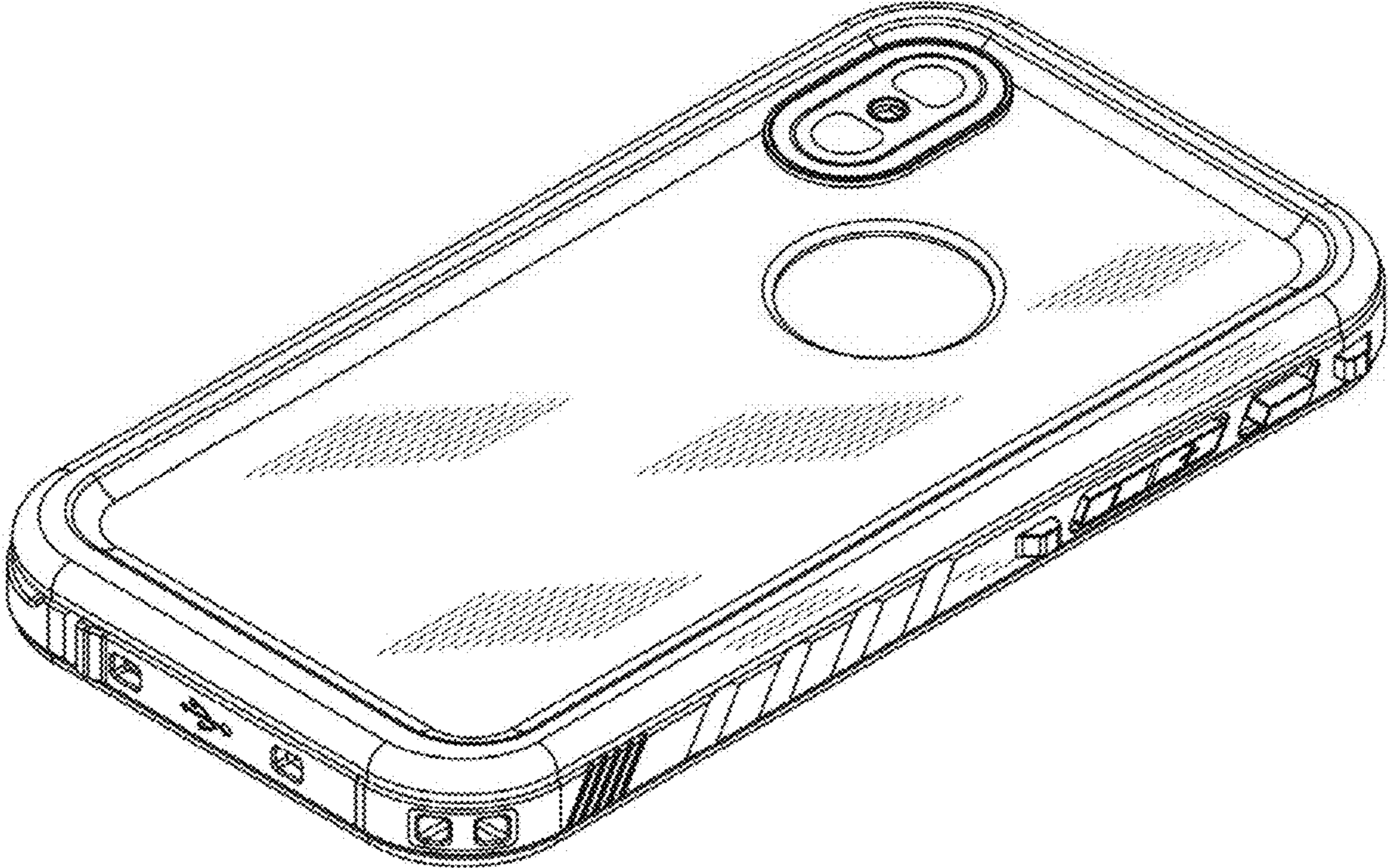


FIG. 8