



US00D858502S

(12) **United States Design Patent**
Zhang

(10) **Patent No.:** **US D858,502 S**

(45) **Date of Patent:** **** Sep. 3, 2019**

(54) **SMART PHONE CASE**

(71) Applicant: **Yu Long Zhang**, Commack, NY (US)

(72) Inventor: **Yu Long Zhang**, Commack, NY (US)

(**) Term: **15 Years**

(21) Appl. No.: **29/628,131**

(22) Filed: **Dec. 1, 2017**

(51) **LOC (12) Cl.** **14-03**

(52) **U.S. Cl.**
USPC **D14/250**

(58) **Field of Classification Search**
USPC D3/218, 249; D14/250
CPC A45C 2011/002; A45F 2200/0516
See application file for complete search history.

(56) **References Cited**

U.S. PATENT DOCUMENTS

D202,756 S *	11/1965	Schlessinger	D19/26
D251,084 S *	2/1979	Marks	D3/265
D322,715 S *	12/1991	Bishop	D3/251
D332,872 S *	2/1993	Seber	224/232
D606,301 S *	12/2009	Hofer	D3/218
D606,303 S *	12/2009	Fahrendorff	D3/218
D606,740 S *	12/2009	Fahrendorff	D3/218
D611,702 S *	3/2010	Fahrendorff	D3/218
D611,703 S *	3/2010	Fahrendorff	D3/218
D613,056 S	4/2010	Fahrendorff	
D671,737 S *	12/2012	Fahrendorff	D3/218
D692,230 S	10/2013	Phillips	
D695,007 S *	12/2013	Zhang	D3/218
D705,539 S *	5/2014	Del Solar	D3/249
D715,536 S	10/2014	Basmaji	
D724,835 S *	3/2015	Zhang	D3/218
D725,380 S *	3/2015	Zhang	D3/218
D725,381 S *	3/2015	Zhang	D3/218
D750,369 S *	3/2016	Hamilton	D3/218
D756,105 S *	5/2016	Zhang	D3/218
D780,739 S *	3/2017	Kalbach	D14/250
D793,082 S *	8/2017	Zhang	D3/249

D793,725 S *	8/2017	Zhang	D3/249
D793,726 S *	8/2017	Zhang	D3/249
D796,189 S *	9/2017	Zhang	D3/218

(Continued)

OTHER PUBLICATIONS

AlScell Universal Cellphone Pouch with holster, posted at amazon.com, posting date by Sep. 3, 2016, [online], [site visited Mar. 18, 2019]. Available from Internet, URL: <https://www.amazon.com/AlScell-Universal-Cellphone-6-60x3-50x0-60-Compatible/dp/B079XDPRG/> (Year: 2016).*

(Continued)

Primary Examiner — George D. Kirschbaum

Assistant Examiner — Maria J Edwards

(74) *Attorney, Agent, or Firm* — Lambert Shortell & Connaughton; Gary E. Lambert; David J. Connaughton, Jr.

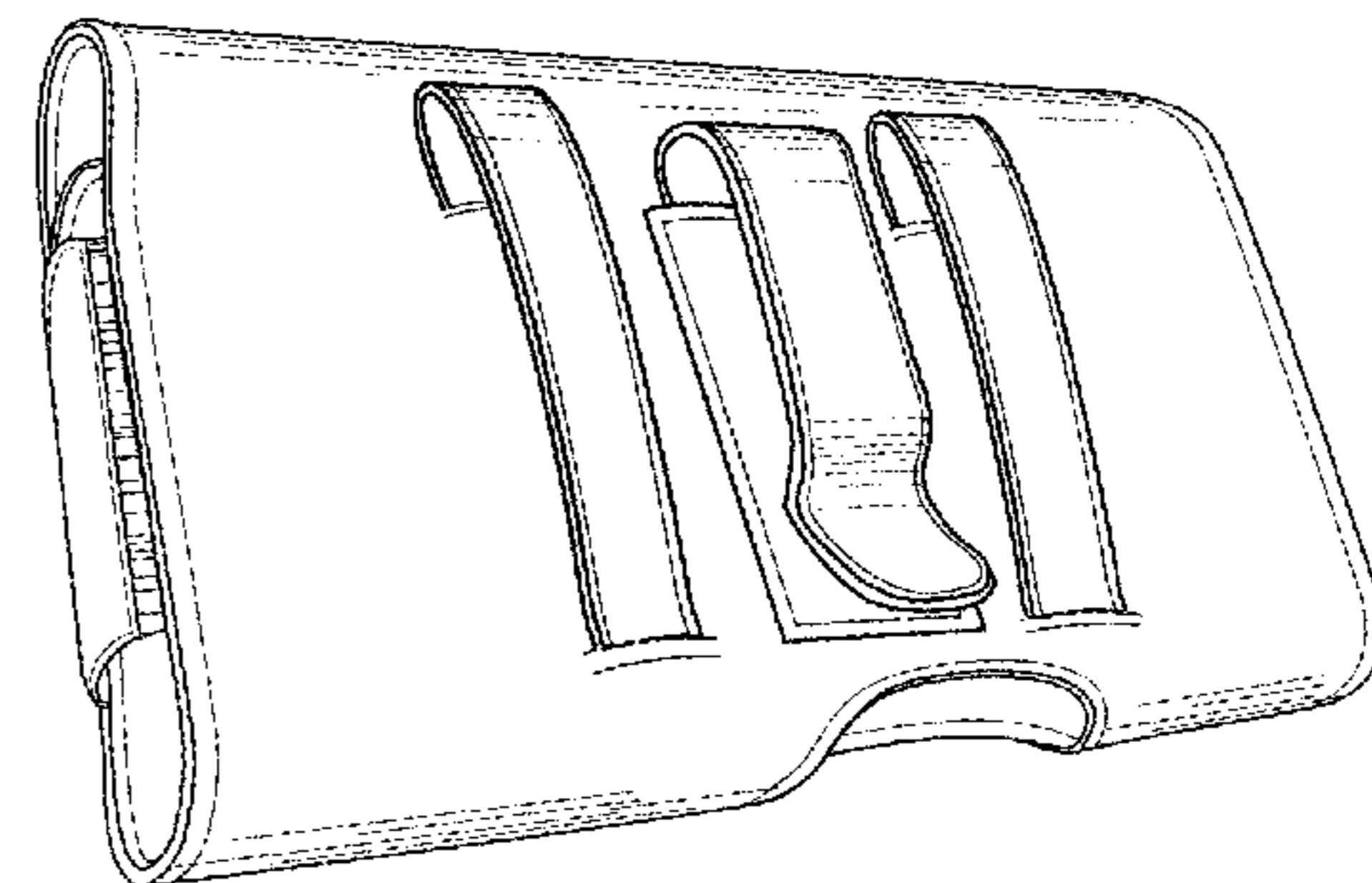
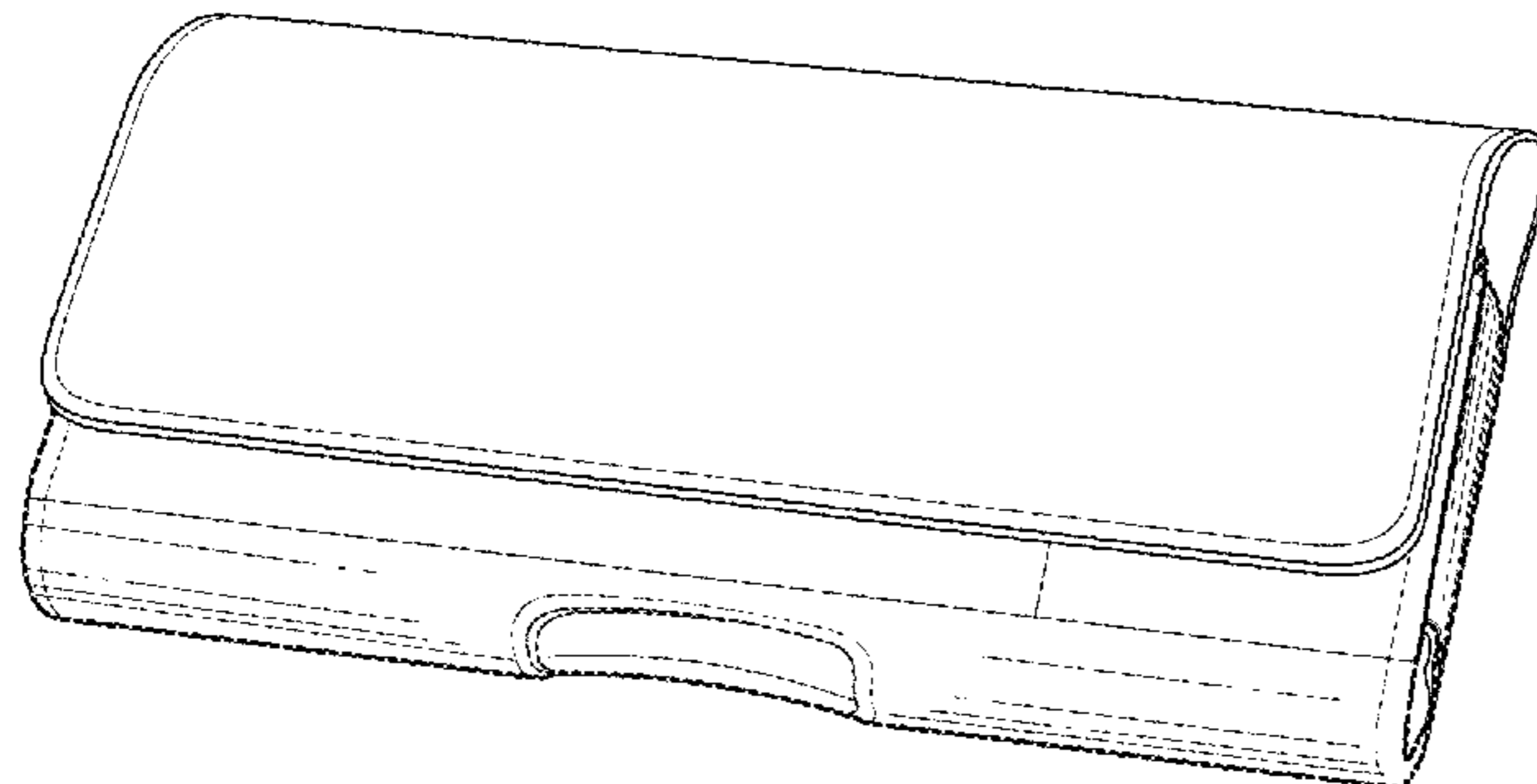
(57) **CLAIM**

The ornamental design for a smart phone case, as shown and described.

DESCRIPTION

FIG. 1 is a front perspective view of the smart phone case which embodies my design;
FIG. 2 is a rear perspective view thereof;
FIG. 3 is a front perspective view thereof, shown in a partially open position;
FIG. 4 is a front perspective view thereof, shown in a partially open position and with environment;
FIG. 5 is a front view thereof;
FIG. 6 is a rear view thereof;
FIG. 7 is a top view thereof;
FIG. 8 is a bottom view thereof;
FIG. 9 is a left side view thereof; and,
FIG. 10 is a right side view thereof.
The broken lines in FIG. 4 represent environment and form no part of the claimed design.

1 Claim, 4 Drawing Sheets



(56)

References Cited

U.S. PATENT DOCUMENTS

D805,763 S * 12/2017 Zhang D3/218
D819,960 S * 6/2018 Zhang D3/218
2014/0252054 A1* 9/2014 Zhang A45F 5/021
224/242

OTHER PUBLICATIONS

Custom Smartphone Holster Belt-Clip Case, posted at techleathercraft.com posting date not given, [online], [site visited Mar. 18, 2019]. Available from Internet, URL: <https://techleathercraft.com/product/holster-case-deluxe-model/> (Year: 2019).*

Leather Pouch Protective Carrying Cell Phone Case, posted at amazon.com, posting date by Jul. 16, 2011, [online], [site visited Mar. 18, 2019]. Available from Internet, URL: <https://www.amazon.com/Protective-Carrying-Transform-Fascinate-Captivate/dp/B0049JA5OE> (Year: 2011).*

Meilib Holster for iPhone Xs Max, posted at amazon.com, posting date by Sep. 6, 2018, [online], [site visited Mar. 18, 2019]. Available from Internet, URL: <https://www.amazon.com/Meilib-Holster-Premium-Leather-Magnetic/dp/B07992GQTC> (Year: 2018).*

Reiko Black Leather Wallet Pouch Clip, posted at amazon.com, posting date by Jan. 8, 2017, [online], [site visited Mar. 18, 2019]. Available from Internet, URL: <https://www.amazon.com/Reiko-Leather-Wallet-Compatible-Zoomazig/dp/B01LW181KD> (Year: 2017).*

Reiko Horizontal Pouch with Card Holder Belt Clip for iPhone, posted at amazon.com, posting date by Mar. 16, 2016, [online], [site visited Mar. 18, 2019]. Available from Internet, URL: <https://www.amazon.com/Reiko-Horizontal-Pouch-Holder-iPhone/dp/B01CA6JVKQ> (Year: 2016).*

* cited by examiner

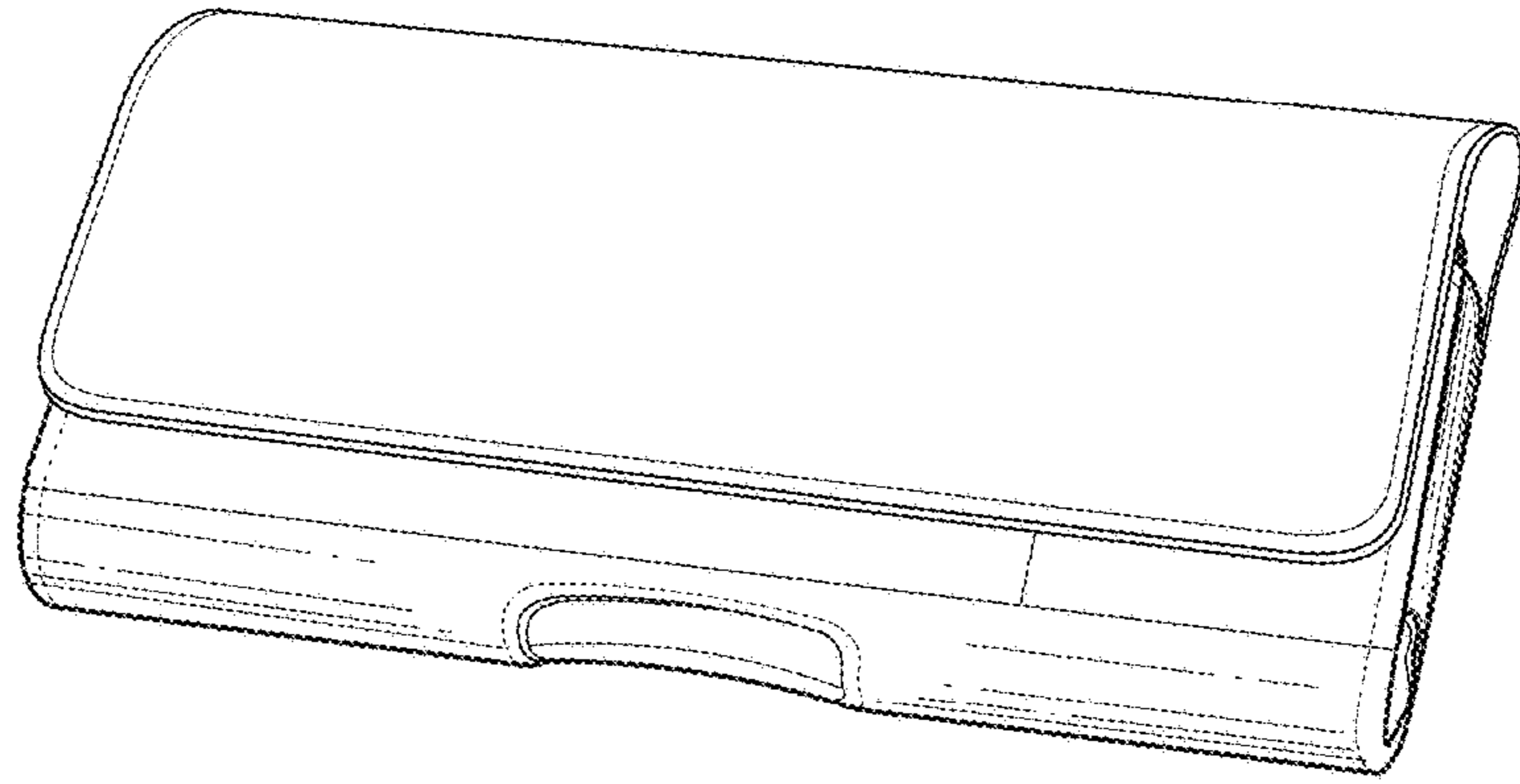


Fig. 1

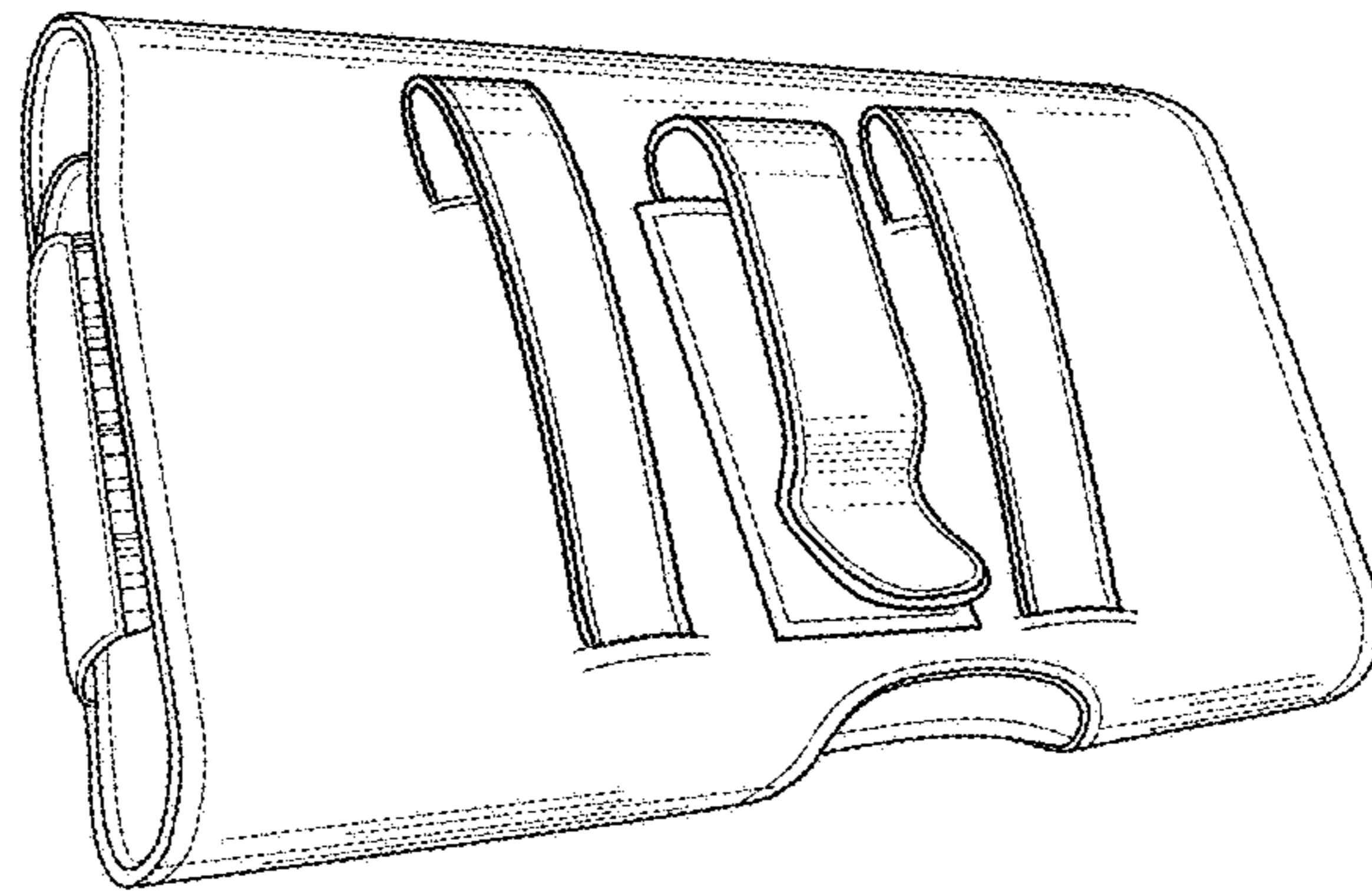


Fig. 2

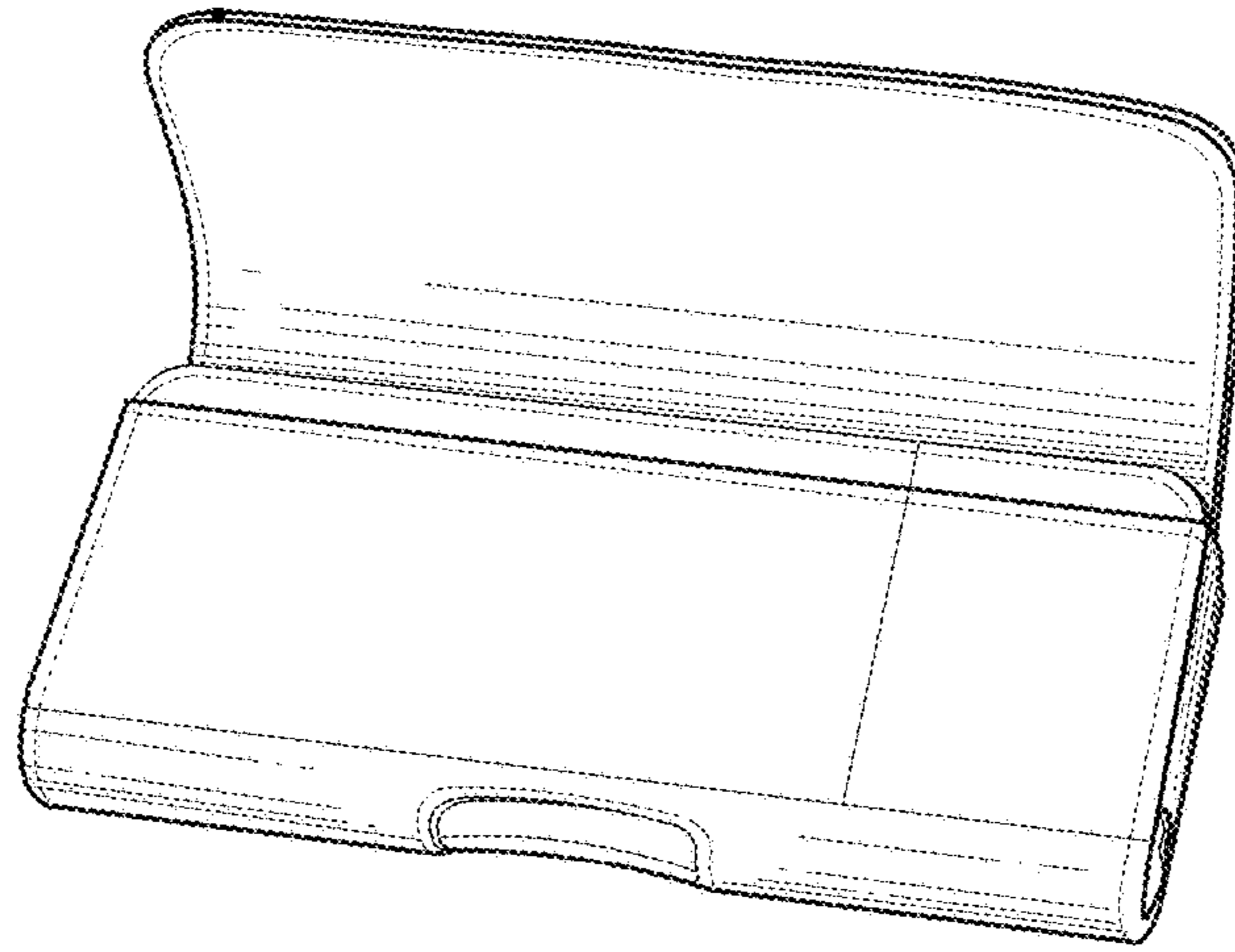


Fig. 3

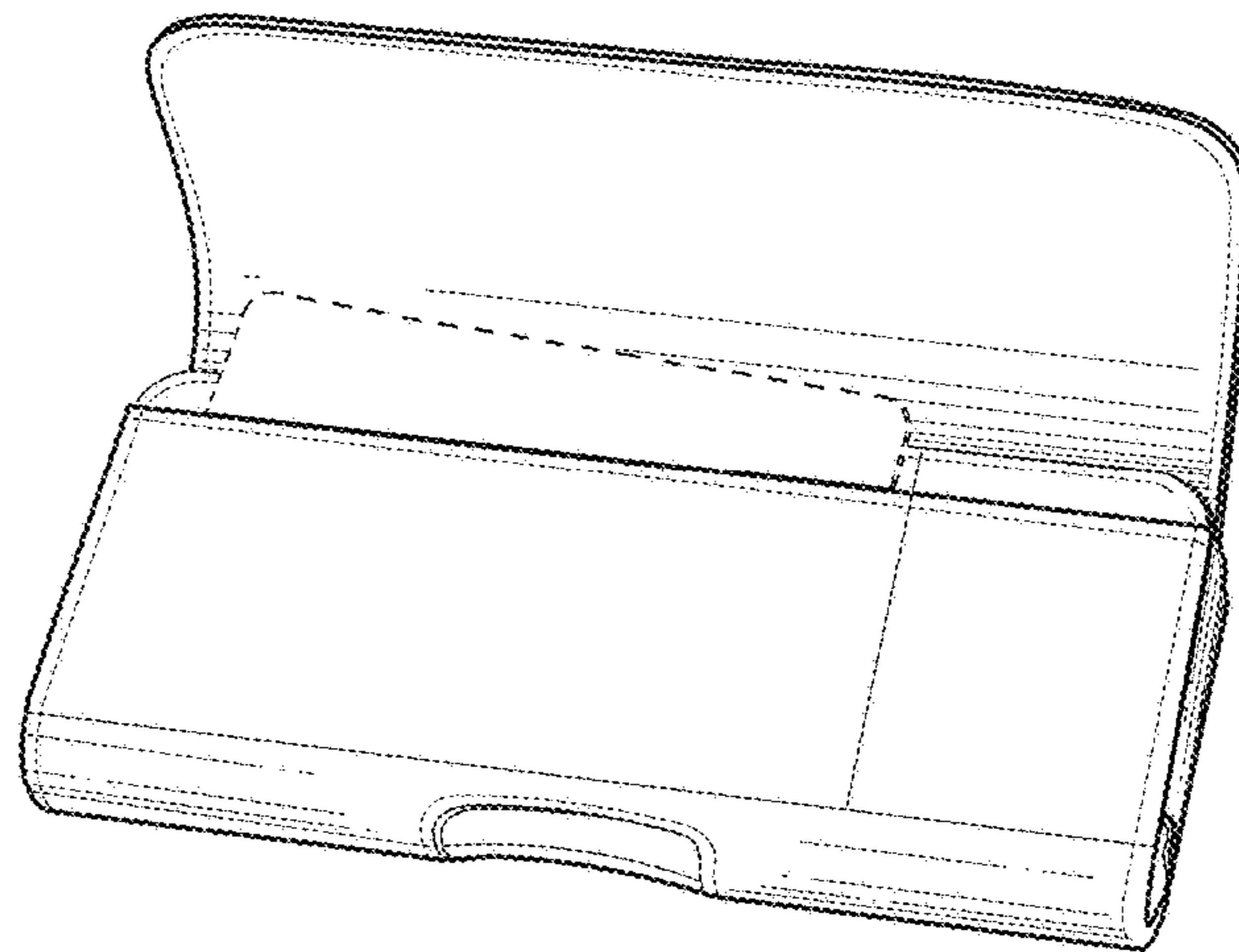


Fig. 4

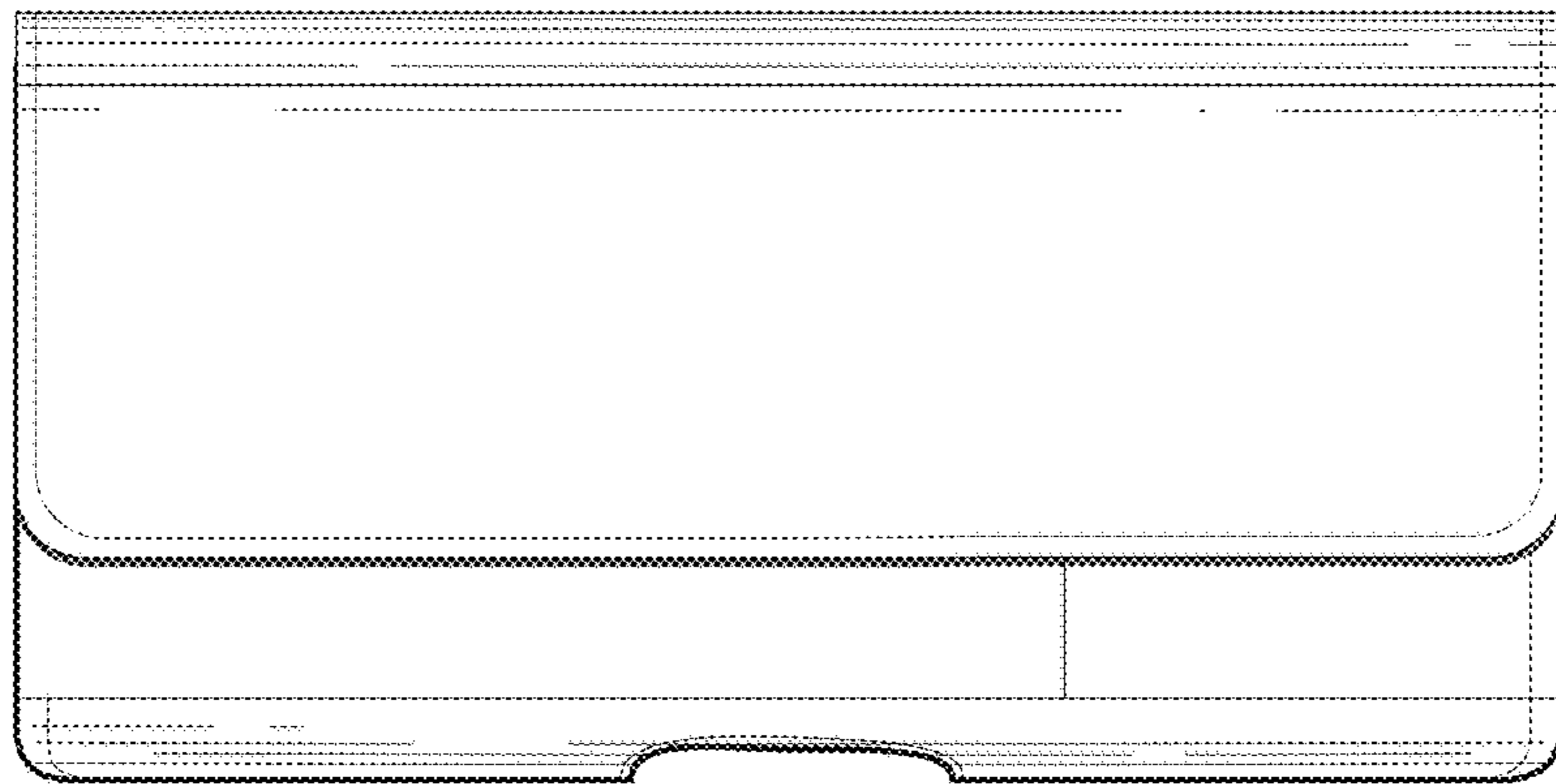


Fig. 5

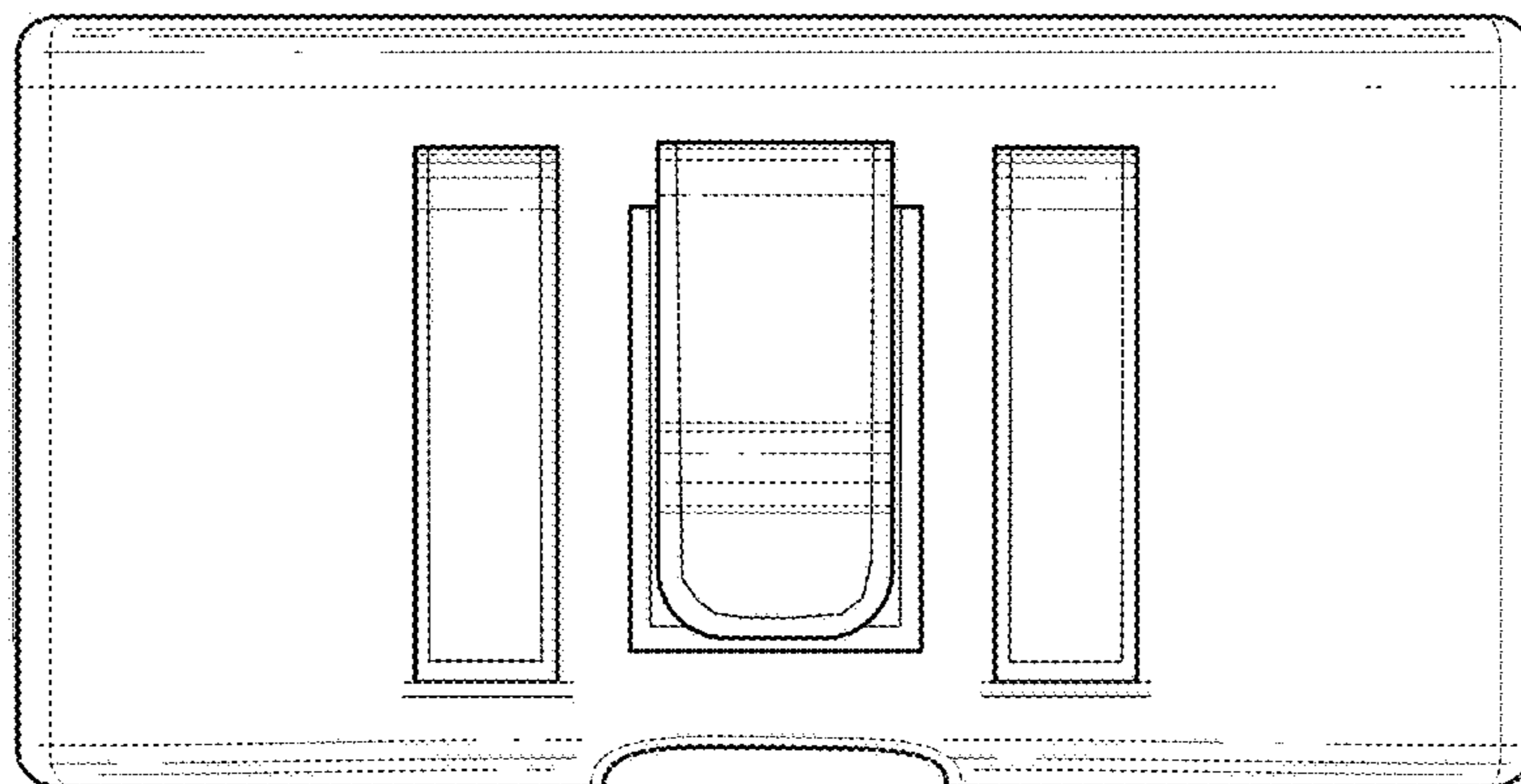


Fig. 6

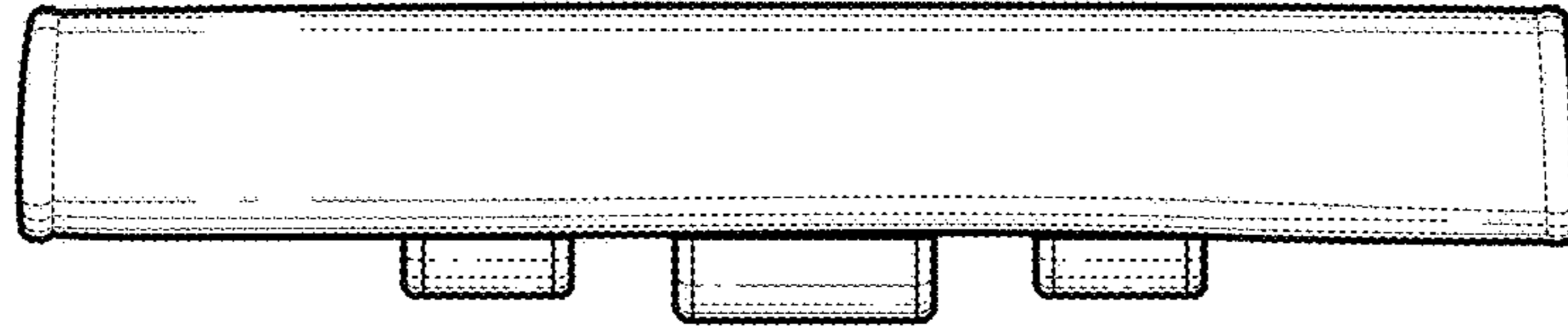


Fig. 7

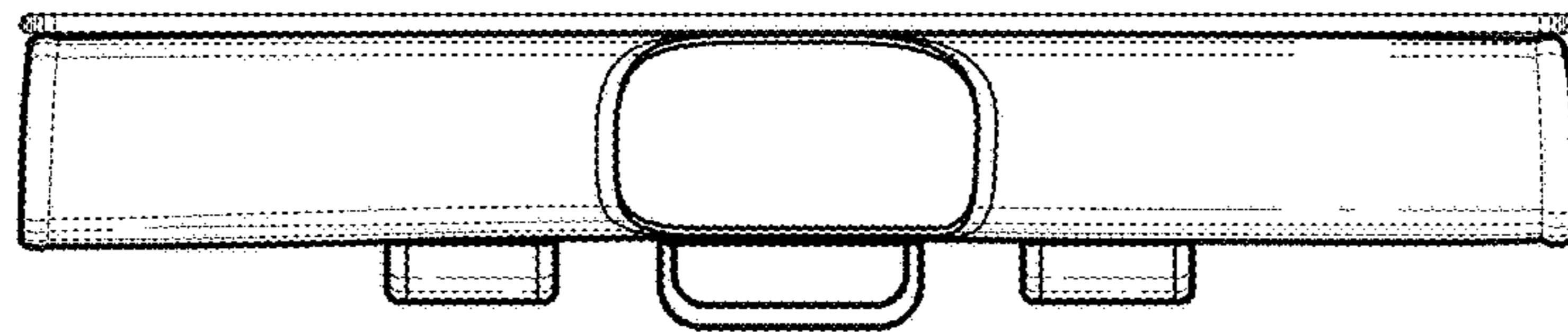


Fig. 8

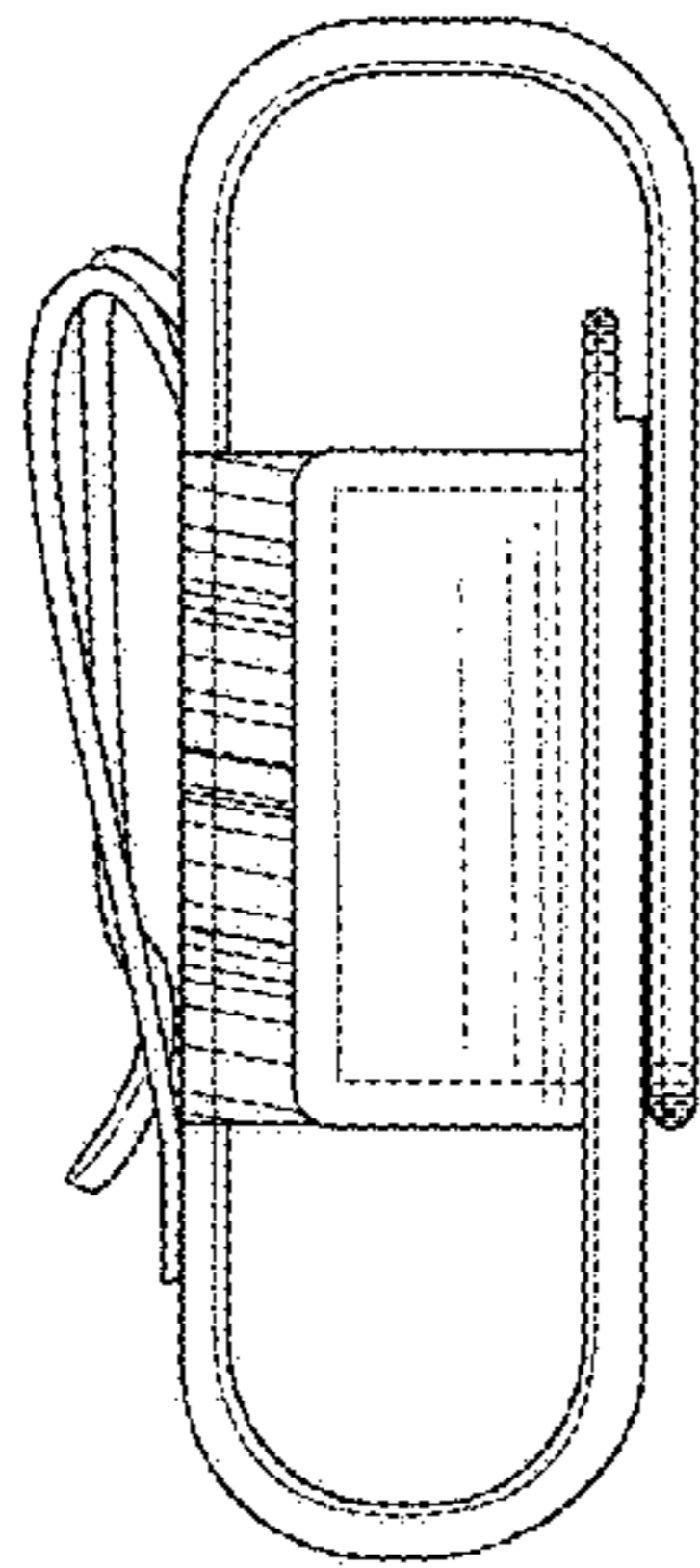


Fig. 9

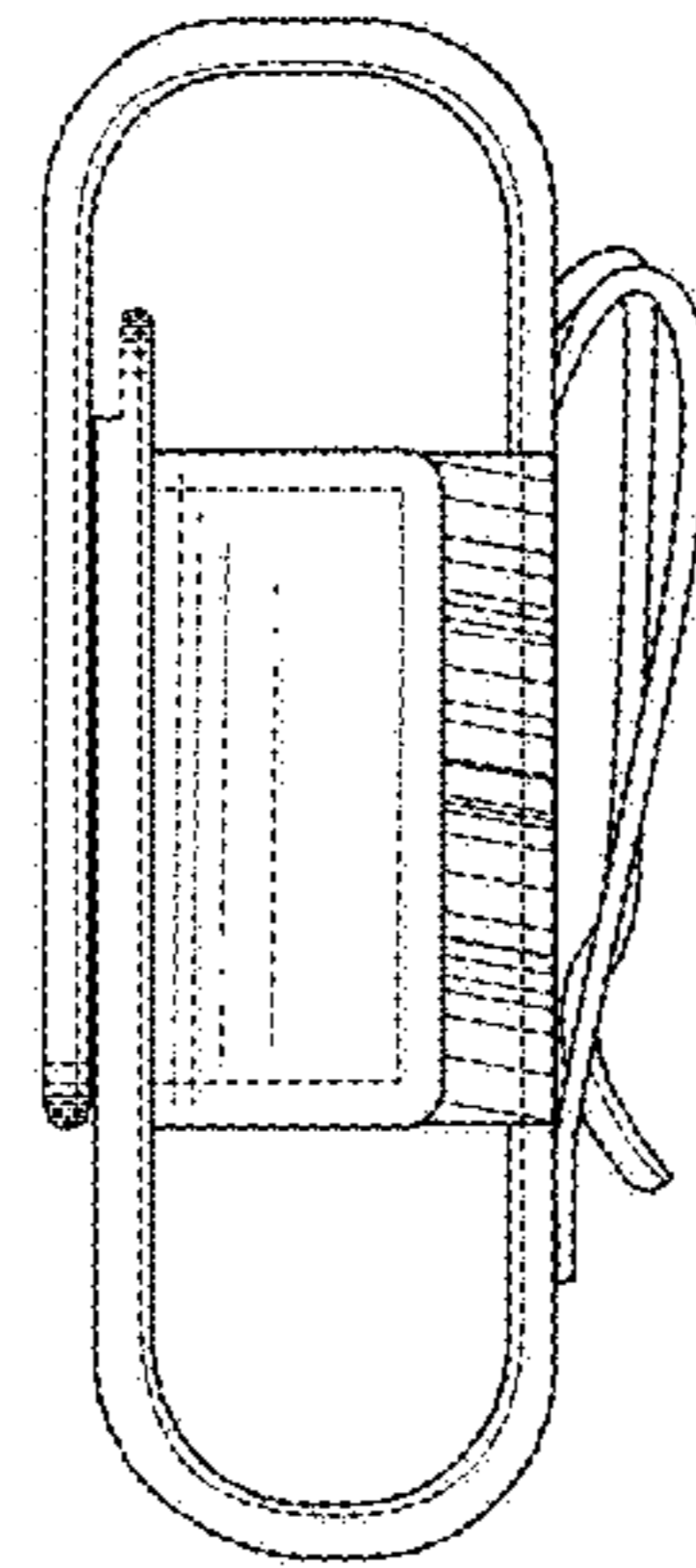


Fig. 10