



US00D858501S

(12) **United States Design Patent**
Jung

(10) **Patent No.:** **US D858,501 S**
(45) **Date of Patent:** **** Sep. 3, 2019**

(54) **CASE FOR ELECTRONIC COMMUNICATIONS DEVICE**

- (71) Applicant: **SPIGEN KOREA CO., LTD.**, Seoul (KR)
- (72) Inventor: **Soo Ha Jung**, Seoul (KR)
- (73) Assignee: **SPIGEN KOREA CO., LTD.**, Seoul (KR)
- (**) Term: **15 Years**
- (21) Appl. No.: **29/614,127**
- (22) Filed: **Aug. 16, 2017**
- (51) **LOC (12) Cl.** **14-03**
- (52) **U.S. Cl.**
USPC **D14/250**
- (58) **Field of Classification Search**
USPC D14/248, 439, 203.3-203.7, 447, 238.1, D14/440, 251-253, 217, 240, 250;
(Continued)

(56) **References Cited**

U.S. PATENT DOCUMENTS

7,301,759 B2 11/2007 Hslung
D559,230 S 1/2008 Griffin
(Continued)

OTHER PUBLICATIONS

“iPhone 6 Plus Case Tough Armor,” <http://www.spigen.com/products/iphone-6-plus-case-tough-armor?variant=1156491337> Downloaded Oct. 20, 2016, 8Page.

(Continued)

Primary Examiner — Carla J Wright

(74) *Attorney, Agent, or Firm* — Heedong Chae; Lucem, PC

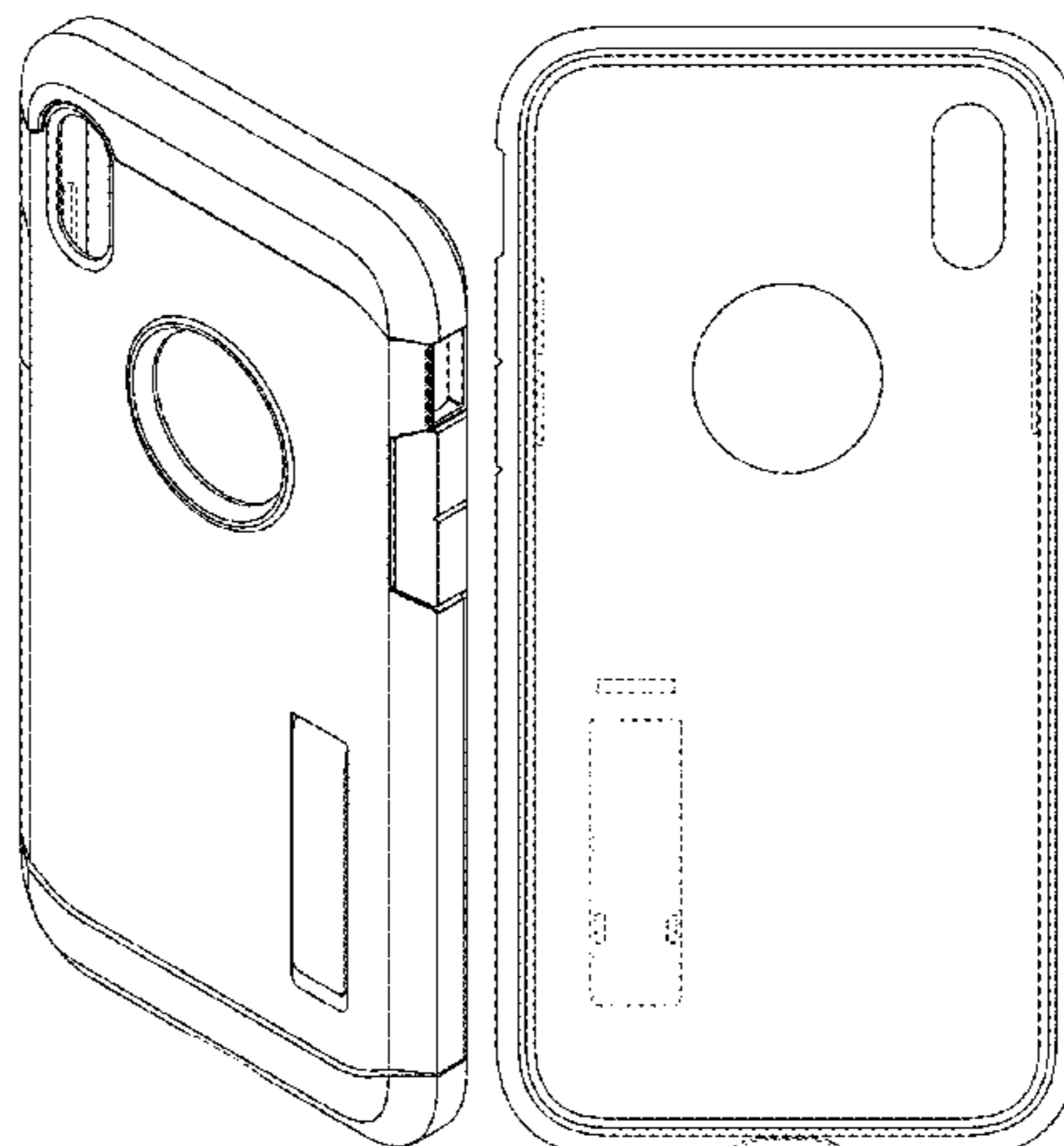
(57) **CLAIM**

The ornamental design for a case for electronic communications device, as shown and described.

DESCRIPTION

FIG. 1 is a front perspective view of a case for electronic communications device showing my new design;
FIG. 2 is a rear perspective view thereof;
FIG. 3 is a rear perspective view thereof showing the support leg component of the case in an extended position;
FIG. 4 is a front elevational view thereof;
FIG. 5 is a rear elevational view thereof;
FIG. 6 is a left side elevational view thereof;
FIG. 7 is a right side elevational view thereof;
FIG. 8 is a top plan view thereof;
FIG. 9 is a bottom plan view thereof;
FIG. 10 is a front perspective view showing the inner shell component of the case separately for clarity of disclosure;
FIG. 11 is a rear perspective view showing the inner shell component of the case separately for clarity of disclosure;
FIG. 12 is a front perspective view showing the outer frame component of the case separately for clarity of disclosure;
FIG. 13 is a rear perspective view showing the outer frame component of the case separately for clarity of disclosure;
FIG. 14 is a front perspective view showing the support leg component of the case separately for clarity of disclosure;
FIG. 15 is a rear perspective view showing the support leg component of the case separately for clarity of disclosure;
FIG. 16 is an exploded front perspective view showing the components of the case separated for clarity of disclosure; and,
FIG. 17 is an exploded rear perspective view showing the components of the case separated for clarity of disclosure.
Although the case for electronic communications device, in which the claimed design is embodied, consists of an inner shell component, an outer frame component, and a support leg component, the claim is directed to the ornamental appearance of the case for electronic communications device in its entirety and does not extend to the ornamental appearance of each of the individual components of the case for electronic communications device.
The broken lines throughout the drawing figures illustrate portions of the case for electronic communications device that form no part of the claimed design. The broken lines and regions bounded by broken lines form no part of the claimed design.

1 Claim, 17 Drawing Sheets



- (58) **Field of Classification Search**
 USPC D3/201, 218, 247, 269, 273, 301, 303;
 D13/103, 107-108, 119
 CPC H04B 1/3888; H04M 1/0283; H04M
 1/0202; A45C 1/06; A45C 2011/002;
 A45C 11/00; A45C 13/02; A45F
 2005/026; A45F 2200/0525; A45F
 2200/0516
- See application file for complete search history.

(56) **References Cited**

U.S. PATENT DOCUMENTS

D565,291 S 4/2008 Brandenburg et al.
 D583,572 S 12/2008 Zhai
 D590,386 S 4/2009 Leith
 D609,463 S 2/2010 Bullen
 D621,822 S 8/2010 Richardson et al.
 D624,064 S 9/2010 Esposito
 D624,910 S 10/2010 Richardson et al.
 D657,782 S 4/2012 Biller
 D659,691 S 5/2012 Kim et al.
 D663,263 S 7/2012 Gupta
 D663,294 S 7/2012 Buxton
 8,243,428 B2 8/2012 Fu
 D671,930 S 12/2012 Akana
 D676,845 S 2/2013 Melanson et al.
 D679,271 S 4/2013 Lin
 D682,260 S 5/2013 Tages et al.
 D684,150 S 6/2013 Goradesky et al.
 D685,361 S 7/2013 Goradesky et al.
 D687,027 S 7/2013 Melanson et al.
 8,517,172 B1 8/2013 Chang
 D689,852 S 9/2013 Azoulay
 D690,305 S 9/2013 Wen
 D692,878 S 11/2013 Akana
 D700,598 S 3/2014 Kim
 8,681,491 B1 3/2014 Cruz
 D703,652 S 4/2014 Melanson
 D703,653 S 4/2014 Brubaker et al.
 D703,654 S 4/2014 Melanson
 D703,655 S 4/2014 Melanson
 D706,254 S 6/2014 Chang
 D706,255 S 6/2014 Akana
 D712,386 S 9/2014 Lu
 D714,274 S 9/2014 Jung
 D714,276 S 9/2014 Hu
 D714,278 S 9/2014 Case et al.
 D718,291 S 11/2014 Hong
 D718,757 S 12/2014 Jaffee
 D721,067 S 1/2015 Su
 D721,685 S 1/2015 Hasbrook et al.
 D732,498 S 6/2015 Huang
 D732,543 S 6/2015 Westrup et al.
 9,049,283 B1 6/2015 Kim
 D736,205 S 8/2015 Park
 D739,391 S 9/2015 Chen
 9,143,181 B1 9/2015 Jia
 D740,798 S 10/2015 Poon et al.
 D741,279 S 10/2015 Tai
 D741,844 S 10/2015 Rayner
 D741,845 S 10/2015 Kim
 D743,389 S 11/2015 Akana
 D743,931 S 11/2015 Hubbard
 D744,471 S 12/2015 Fitzgerald
 D746,275 S 12/2015 Mohammad
 D746,805 S 1/2016 Kim
 D747,306 S 1/2016 Kim
 D748,614 S 2/2016 Ju
 D749,563 S 2/2016 Akana
 D749,567 S 2/2016 Lee
 D749,591 S 2/2016 Akana
 9,247,795 B2 2/2016 Kim
 D752,037 S 3/2016 Akana
 9,295,174 B2 3/2016 Witter
 9,300,768 B1 3/2016 Dining et al.
 9,301,414 B2 3/2016 Chao
 D753,099 S 4/2016 Kim

D753,641 S 4/2016 Roberts
 D754,651 S 4/2016 Roberts
 D754,652 S 4/2016 Robert
 D756,340 S 5/2016 Babichenko
 D756,343 S 5/2016 Wall et al.
 D756,947 S 5/2016 Walliser
 D761,239 S 7/2016 Kim
 D765,628 S 9/2016 Watt et al.
 D765,629 S 9/2016 Watt
 D765,633 S 9/2016 Northrup et al.
 D765,635 S 9/2016 Chang et al.
 D765,644 S 9/2016 Witter et al.
 D771,028 S 11/2016 Kim
 D771,607 S 11/2016 Kim
 D771,608 S 11/2016 Kim
 D772,209 S 11/2016 Kim
 D772,211 S 11/2016 Poon et al.
 D775,620 S 1/2017 Kim
 D776,649 S * 1/2017 Kim D14/250
 D777,155 S * 1/2017 Kim D14/250
 D777,156 S * 1/2017 Kim D14/250
 D778,897 S * 2/2017 Kim D14/250
 D780,167 S 2/2017 Tien
 D781,837 S 3/2017 Kim et al.
 D786,851 S * 5/2017 Kim D14/250
 D786,852 S * 5/2017 Kim D14/250
 D787,492 S * 5/2017 Kim D14/250
 9,660,683 B2 * 5/2017 Tien H04B 1/3888
 D788,760 S * 6/2017 Kim D14/250
 D789,344 S * 6/2017 Kim D14/250
 9,675,150 B2 * 6/2017 Kim A45C 11/182
 9,677,702 B2 * 6/2017 Kim F16M 11/00
 D796,498 S 9/2017 Babichenko
 D800,713 S * 10/2017 Kim D14/250
 D802,574 S * 11/2017 Kim D14/250
 D803,206 S * 11/2017 Kim D14/250
 2011/0164358 A1 7/2011 Duan
 2013/0077211 A1 3/2013 Wang
 2013/0257240 A1 10/2013 Hong
 2014/0085777 A1 * 3/2014 Yeh H04M 1/0202
 361/679.01
 2014/0146441 A1 5/2014 Hautamaki
 2014/0284096 A1 9/2014 Wu
 2015/0194997 A1 7/2015 Johnson
 2015/0382495 A1 12/2015 Lim
 2016/0101902 A1 4/2016 Kim
 2016/0204817 A1 7/2016 Kim
 2016/0308571 A1 * 10/2016 Chiang H04B 1/3888
 2016/0374443 A1 * 12/2016 Kim A45C 11/182
 206/38
 2017/0033824 A1 * 2/2017 Tien H04B 1/3888
 2017/0150792 A1 * 6/2017 Kim B08B 3/022
 2017/0155418 A1 * 6/2017 Kim H04B 1/3888
 2017/0230072 A1 * 8/2017 Kim H04B 1/3888

OTHER PUBLICATIONS

“iPhone 6 Case Tough Armor,” <http://www.spigen.com/products/iphone-6-case-tough-armor-4-7?variant=1154323053> Downloaded Oct. 20, 2016, 8Page.
 “iPhone 5s Case Tough Armor,” <http://www.spigen.com/products/iphone-5s-5-case-tough-armor?variant=1165533125> Downloaded Oct. 20, 2016, 5Page.
 “Tough Armor Iphone SE Case,” <http://www.spigen.com/products/iphone-se-case-tough-armor?variant=16524825729> Downloaded Oct. 20, 2016, 7Page.
 “iPhone 6 Case Tough Armor FX,” <http://www.spigen.com/products/iphone-6-case-tough-armor-fx-4-7?variant=1151179433> Downloaded Oct. 20, 2016, 8Page.
 “iPhone 6 Case Tough Armor S,” <http://www.spigen.com/products/iphone-6-case-tough-armor-s-4-7?variant=1154344701> Downloaded Oct. 20, 2016, 8Page.
 “iPhone 6S Plus Case Tough Armor,” <http://www.spigen.com/products/iphone-6s-plus-case-tough-armor?variant=4039960961> Downloaded Oct. 20, 2016, 8Page.

(56)

References Cited

OTHER PUBLICATIONS

“iPhone 6S Case Tough Armor,” <http://www.spigen.com/products/iphone-6s-case-tough-armor?variant=5904808705> Downloaded Oct. 20, 2016, 7Page.

“iPhone 6S Plus Case Tough Armor Tech,” <http://www.spigen.com/products/iphone-6s-plus-case-tough-armor-tech?variant=5811399809> Downloaded Oct. 20, 2016, 8Page.

“iPhone 6S Case Tough Armor Tech,” <http://www.spigen.com/products/iphone-6s-case-tough-armor-tech?variant=5811305217> Downloaded Oct. 20, 2016, 7Page.

“iPhone 6S/6 Case Tough Armor Volt,” <http://www.spigen.com/products/iphone-6-case-tough-armor-volt-4-7> Downloaded Oct. 20, 2016, 6Page.

“Spigen Tough Armor iPhone 6 Case with Extreme Heavy Duty Protection and Air Cushion Technology for iPhone 6S / iPhone 6—Gunmetal”, <https://www.amazon.com/dp/B00LL60JU8>, earliest review date of Aug. 14, 2014.

“Spigen Tough Armor iPhone 6 Plus Case with Kickstand and Extreme Heavy Duty Protection and Air Cushion Technology for iPhone 6S Plus / iPhone 6 Plus—Gunmetal”, <https://www.amazon.com/dp/B00LL987W2>, earliest review date of Jul. 8, 2014.

“Spigen Tough Armor Heavy Duty Extreme Protection Rugged Slim Dual Layer Protective Cover Case for Apple iPhone 7—Gunmetal”, <https://www.amazon.co.uk/dp/B01GIVWY30>, Date first available at Amazon.co.uk of Aug. 2, 2016, Downloaded on Sep. 17, 2018.

“Spigen Tough Armor Galaxy S6 Case with Kickstand and Air Cushion Technology for Galaxy S6 2015—Gunmetal”, <https://www.amazon.com/dp/B00QU4PUKK>, earliest review date of Mar. 23, 2015.

“Spigen Tough Armor Galaxy S6 Edge Case with Kickstand and Extreme Heavy Duty Protection and Air Cushion Technology for Galaxy S6 Edge 2015—Gunmetal”, <https://www.amazon.com/dp/B00SV63L38>, earliest review date of Mar. 12, 2015.

“Spigen Tough Armor Galaxy S7 Case with Extreme Heavy Duty Protection and Air Cushion Technology for Samsung Galaxy S7 2016—Gunmetal”, <https://www.amazon.com/dp/B01A7ID3PS>, earliest review date of Feb. 25, 2016.

“Spigen Tough Armor Galaxy S7 Edge Case with Kickstand and Extreme Heavy Duty Protection and Air Cushion Technology for Samsung Galaxy S7 Edge 2016—Gunmetal”, <https://www.amazon.com/dp/B01A7IDNWQ>, earliest review date of Feb. 24, 2016.

“Spigen Tough Armor LG G5 Case with Reinforced Kickstand and Heavy Duty Protection and Air Cushion Technology for LG G5 (2016)—Gunmetal”, <https://www.amazon.com/dp/B01B1GQL6I>, Earliest review date of Mar. 11, 2016.

“Spigen Tough Armor iPhone SE/5S/5 Case with Extreme Heavy Duty Protection and Air Cushion Technology for iPhone SE/iPhone 5S/iPhone 5—Metal Slate”, <https://www.amazon.com/Spigen-Extreme-Protection-Cushion-Technology/dp/B00DMKGPP4>, Earliest review date of Aug. 1, 2013, Downloaded on Aug. 9, 2018.

“Spigen Tough Armor Designed for Apple iPad Mini 3 Case, iPad Mini 2 Case, iPad Mini Case—Metal Slate”, <https://www.amazon.com/Spigen-Tough-Armor-Designed-Apple/dp/B00FRVDVXK>, Earliest review date of Dec. 27, 2013, Downloaded on Jan. 15, 2019.

“Spigen Tough Armor Galaxy S5 Case with Extreme Heavy Duty Protection and Air Cushion Technology for Samsung Galaxy S5 2014—Gunmetal”, <https://www.amazon.com/Spigen-Extreme-Protection-Cushion-Technology/dp/B00I3UWDV8>, Earliest review date of Mar. 9, 2014, Downloaded on Aug. 9, 2018.

“Spigen Tough Armor iPhone 6 Case with Extreme Heavy Duty Protection and Air Cushion Technology for iPhone 6S/iPhone 6—Gunmetal”, <https://www.amazon.com/Spigen-Extreme-Protection-Cushion-Technology/dp/B00LL60JU8>, Earliest review date of Sep. 10, 2014, Downloaded on Jan. 15, 2019.

“Spigen Tough Armor S iPhone 6 Case with Extreme Heavy Duty Protection and Card Kickstand Feature for iPhone 6S/iPhone 6—S Mint”, <https://www.amazon.com/Spigen-Extreme-Protection-Kickstand-Feature/dp/B00LL65B06>, Earliest review date of Sep. 18, 2014, Downloaded on Jan. 15, 2019.

“Spigen Tough Armor Galaxy Note 4 Case with Extreme Heavy Duty Protection and Air Cushion Technology for Samsung Galaxy Note 4 2014—Gunmetal”, <https://www.amazon.com/dp/B00MAWQU14>, Earliest review date of Oct. 9, 2014, Downloaded on Aug. 31, 2018.

“Spigen Tough Armor FX iPhone 6 Case with Extreme Protection and Front Built-In Screen Protector Cover for iPhone 6S/iPhone 6—Gunmetal”, <https://www.amazon.com/Spigen-iPhone-Extreme-Protection-Protector/dp/B00PR9XE5C>, Earliest review date of Jan. 8, 2015, Downloaded on Jan. 15, 2019.

“Spigen Tough Armor iPhone 6S Case with Extreme Heavy Duty Protection and Air Cushion Technology for iPhone 6S/iPhone 6—Rose Gold”, <https://www.amazon.com/dp/B013TKNNGK>, Earliest review date of Aug. 30, 2015, Downloaded on Aug. 8, 2018.

“Spigen Tough Armor iPhone 6S Plus Case with Kickstand and Heavy Duty Air Cushion Technology Protection for iPhone 6S Plus/iPhone 6 Plus Only—Gunmetal”, <https://www.amazon.com/Spigen-Kickstand-Cushion-Technology-Protection/dp/B010MVQJPQ>, Earliest review date of Sep. 9, 2015, Downloaded on Aug. 9, 2018.

“Spigen Tough Armor Tech iPhone 6S Case with Extreme Shock and Drop Protection for Apple iPhone 6/6S—Gunmetal”, <https://www.amazon.com/Spigen-Tough-iPhone-Extreme-Protection/dp/B013TKNSIS>, Earliest review date of Oct. 3, 2015, Downloaded on Jan. 15, 2019.

“Spigen Tough Armor Designed for Apple iPad Mini 4 Case (2015)—Gunmetal”, <https://www.amazon.com/Spigen-Tough-Armor-Designed-Apple/dp/B013J4LNWC>, Earliest review date of Nov. 21, 2015, Downloaded on Jan. 15, 2019.

“Spigen Tough Armor iPhone SE Case with Extreme Heavy Duty Protection and Air Cushion Technology for iPhone SE 2016—Black”, <https://www.amazon.com/Spigen-Extreme-Protection-Cushion-Technology/dp/B01BEJB9XM>, Earliest review date of Apr. 7, 2016, Downloaded on Aug. 9, 2018.

* cited by examiner

FIG. 1

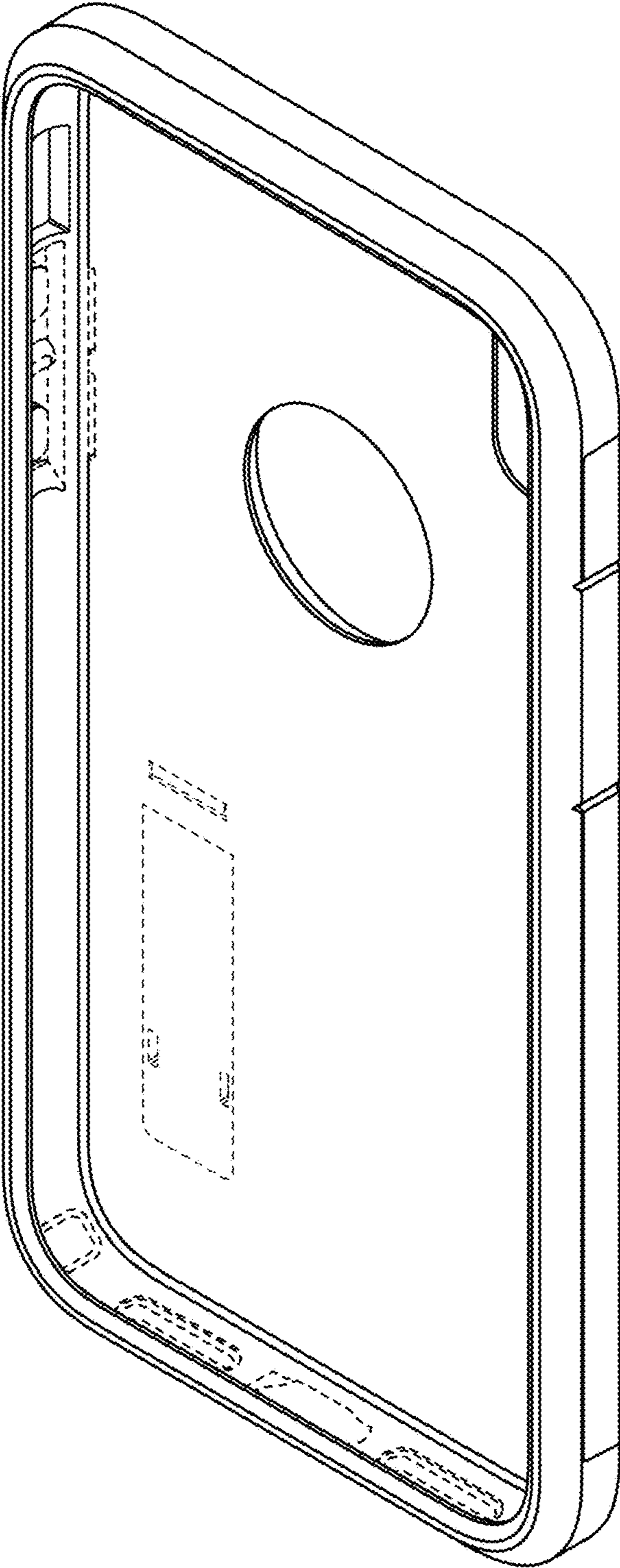


FIG. 2

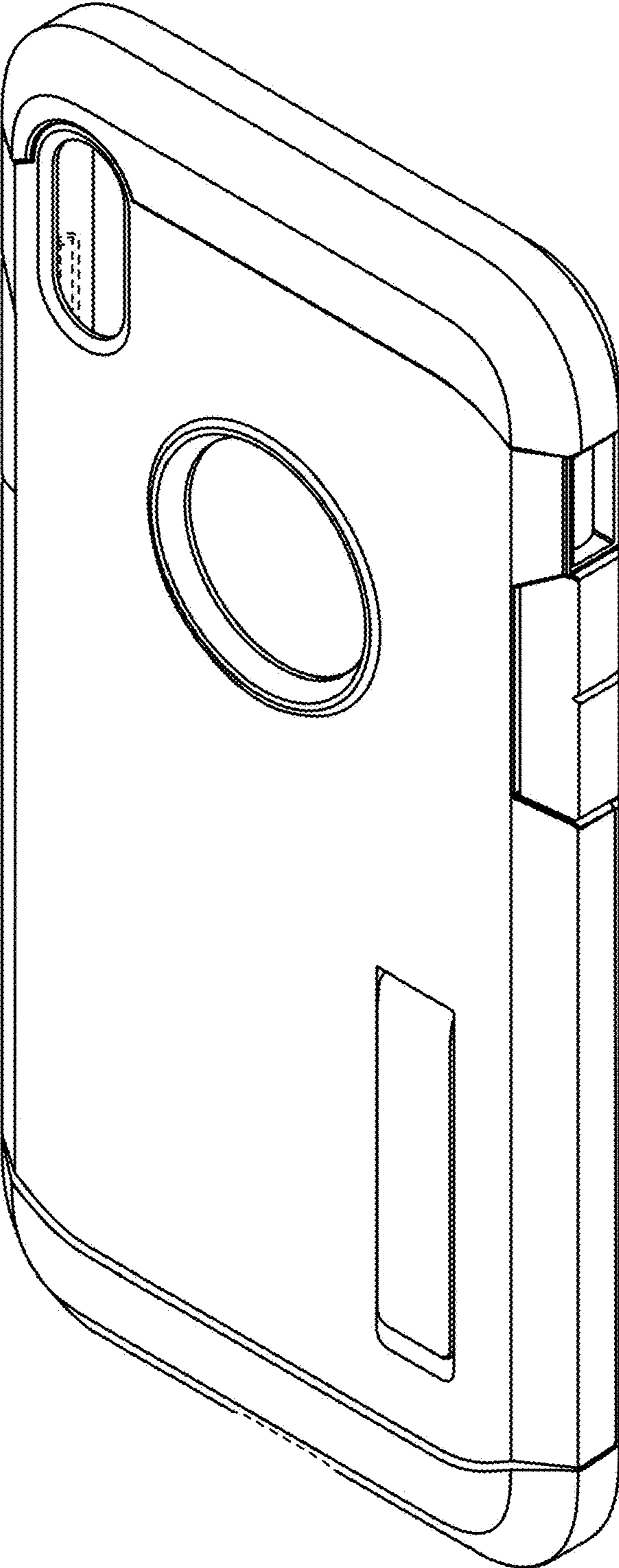


FIG. 3

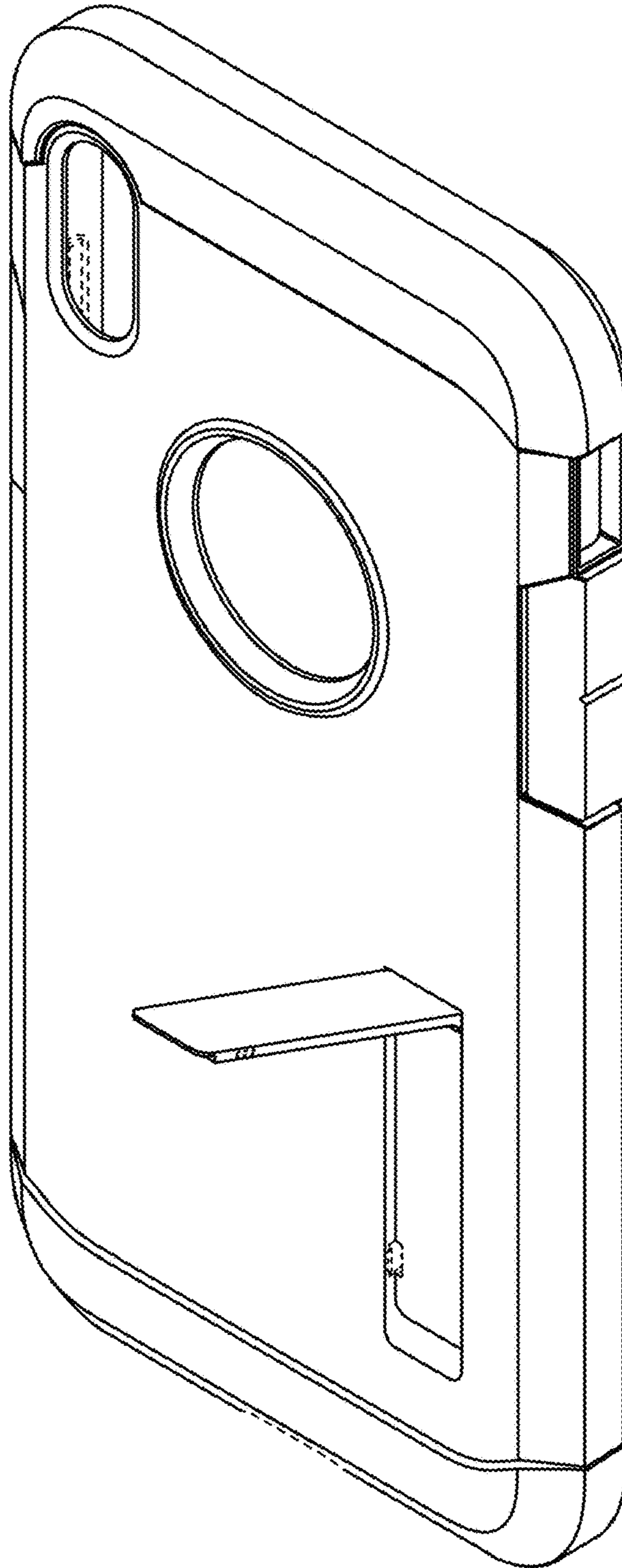


FIG. 4

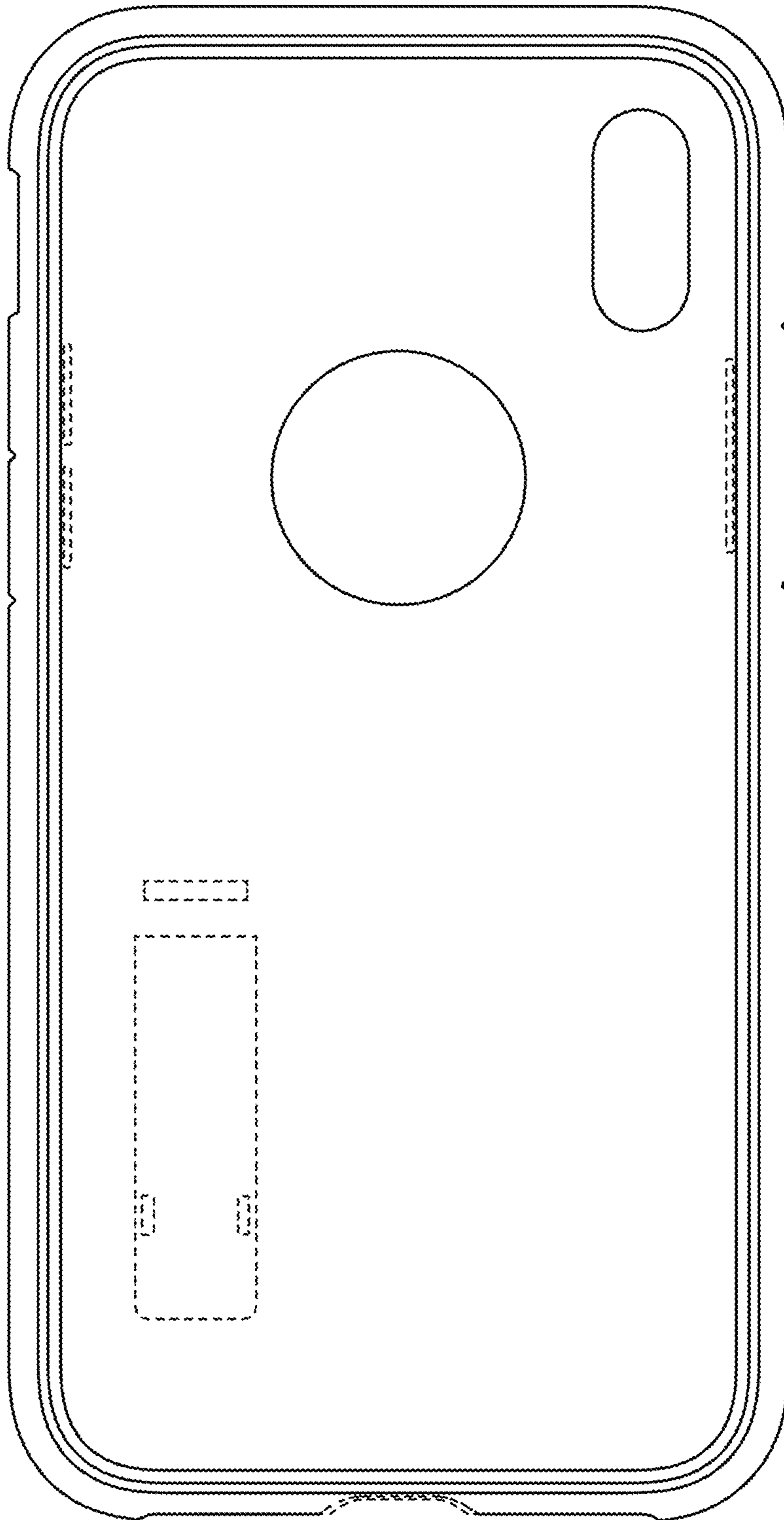


FIG. 5

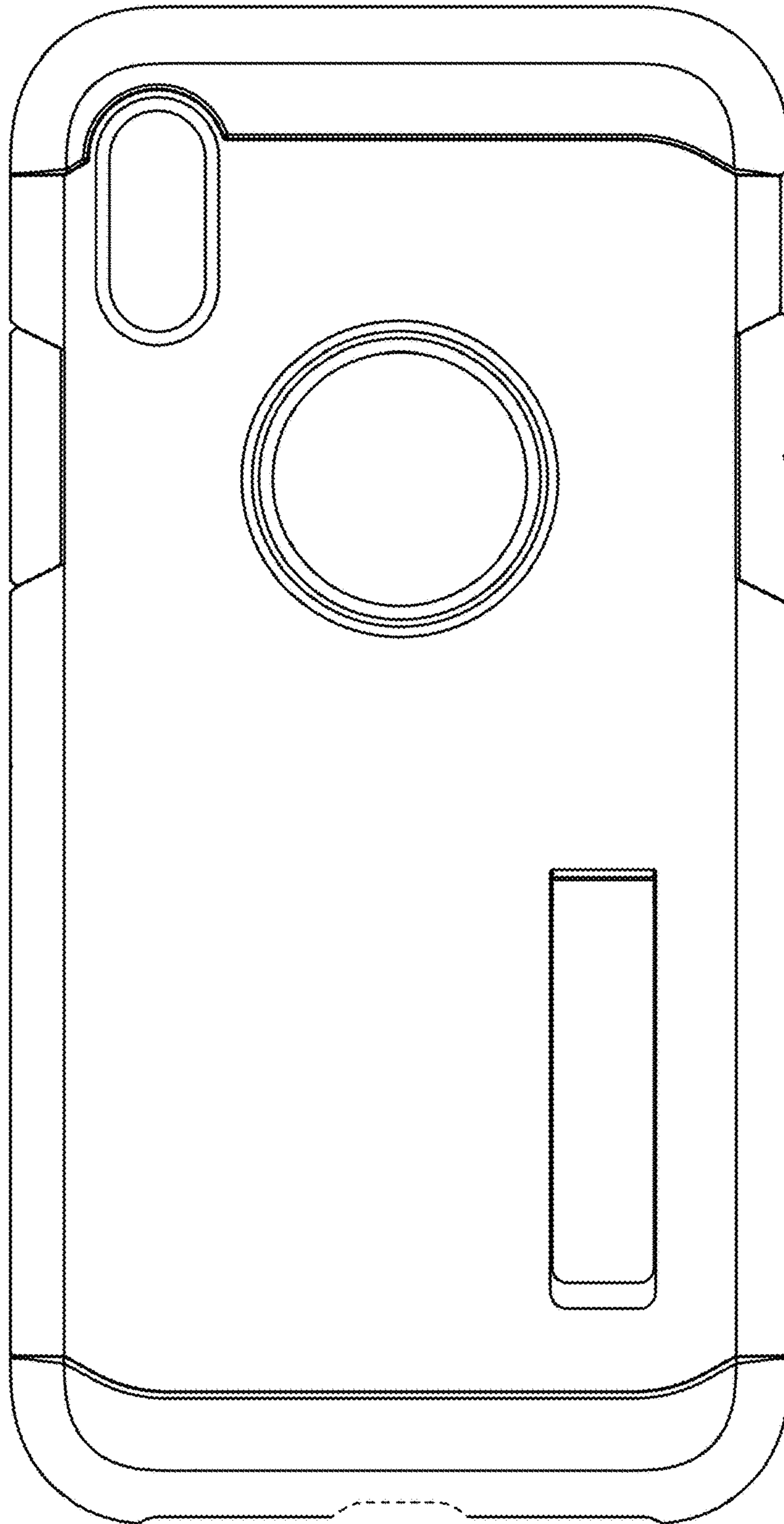


FIG. 6

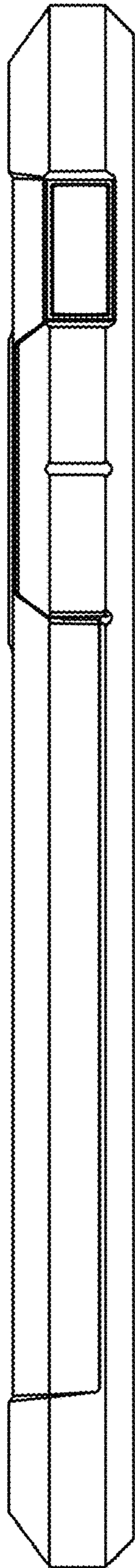


FIG. 7

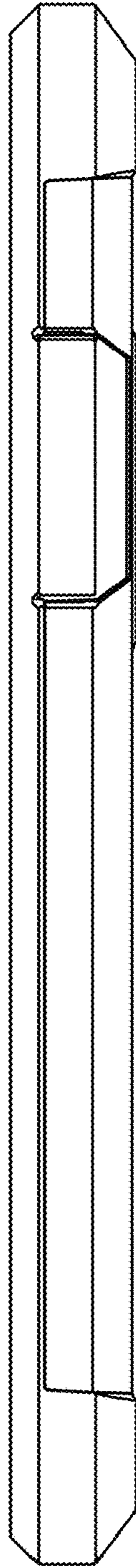


FIG. 8

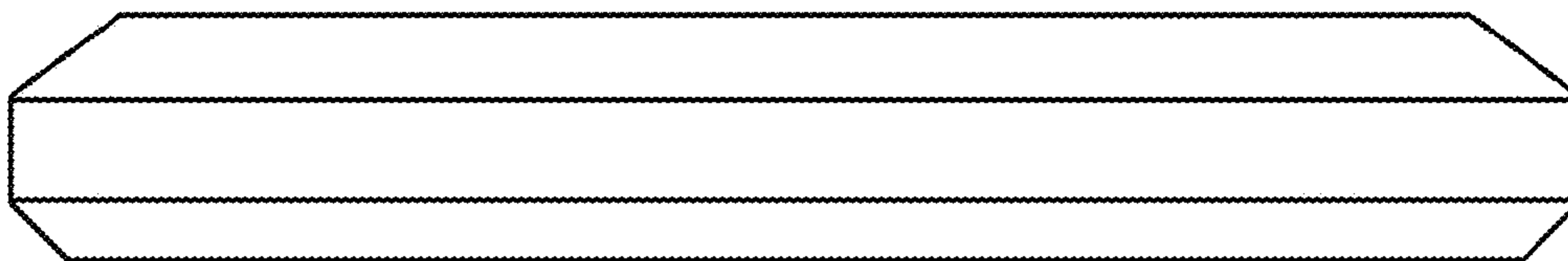


FIG. 9

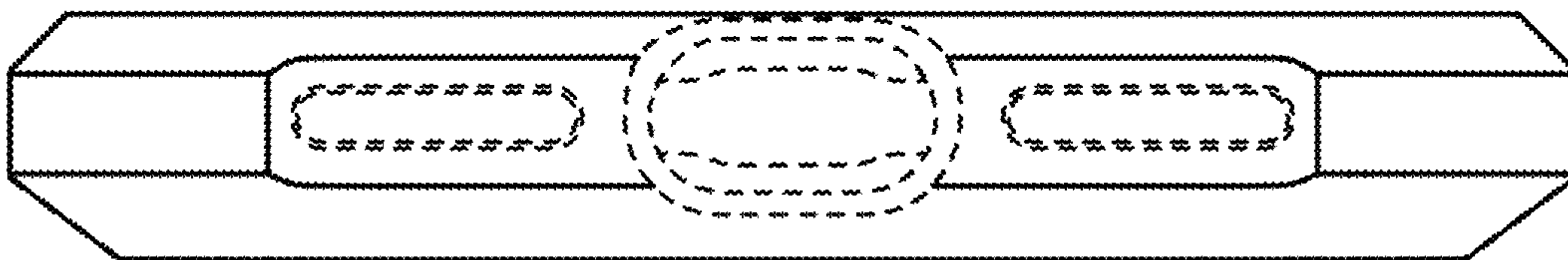


FIG. 10

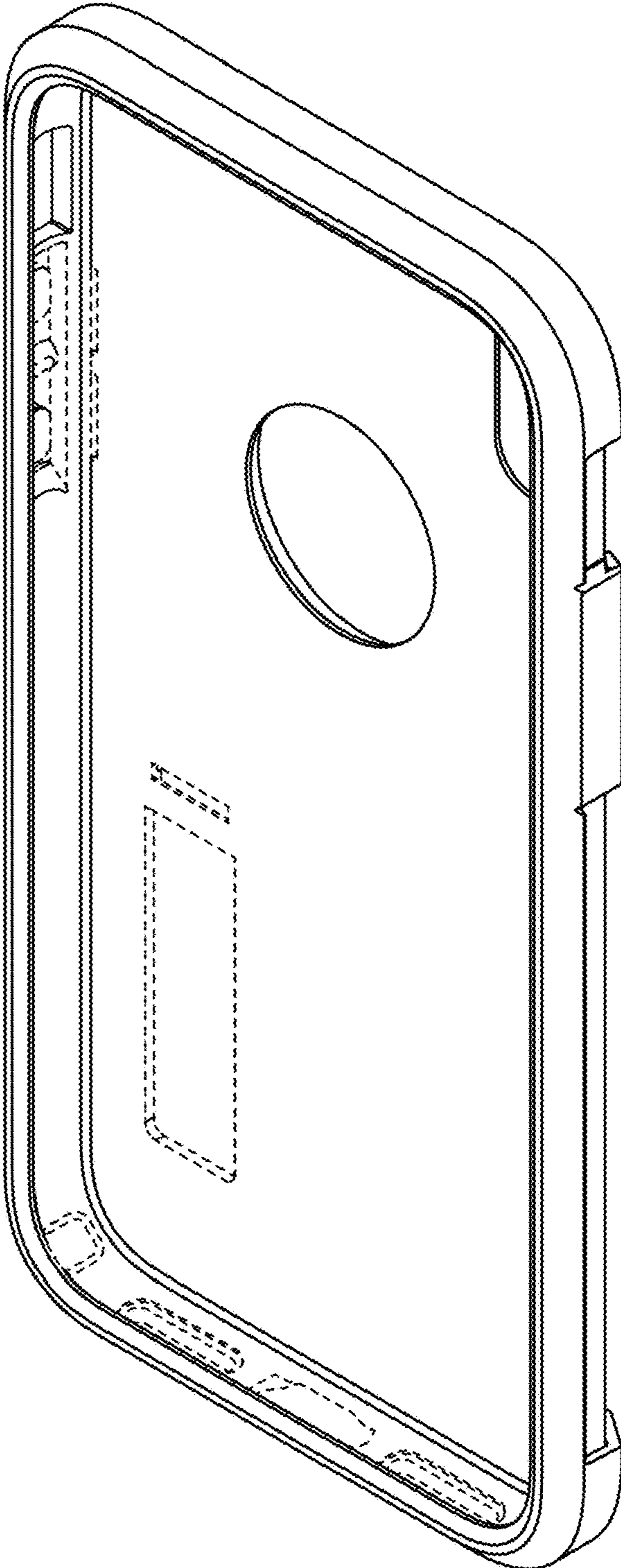


FIG. 11

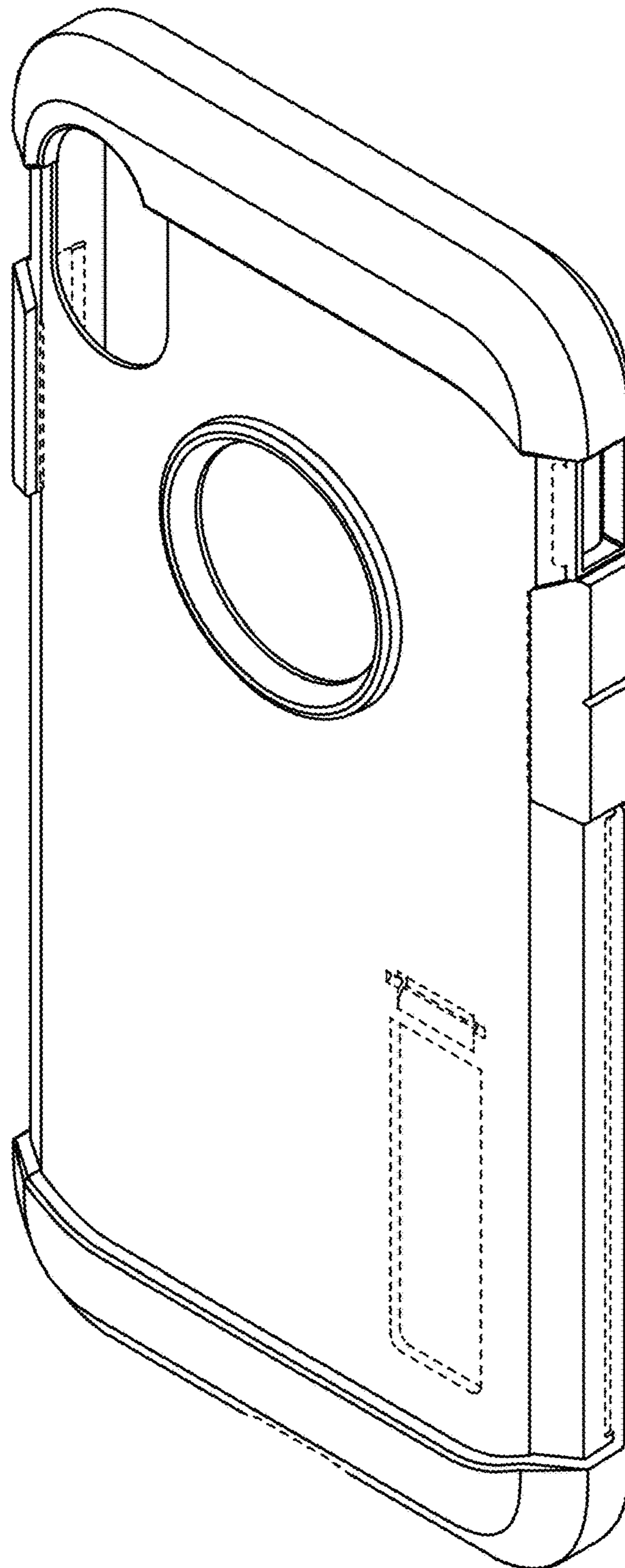


FIG. 12

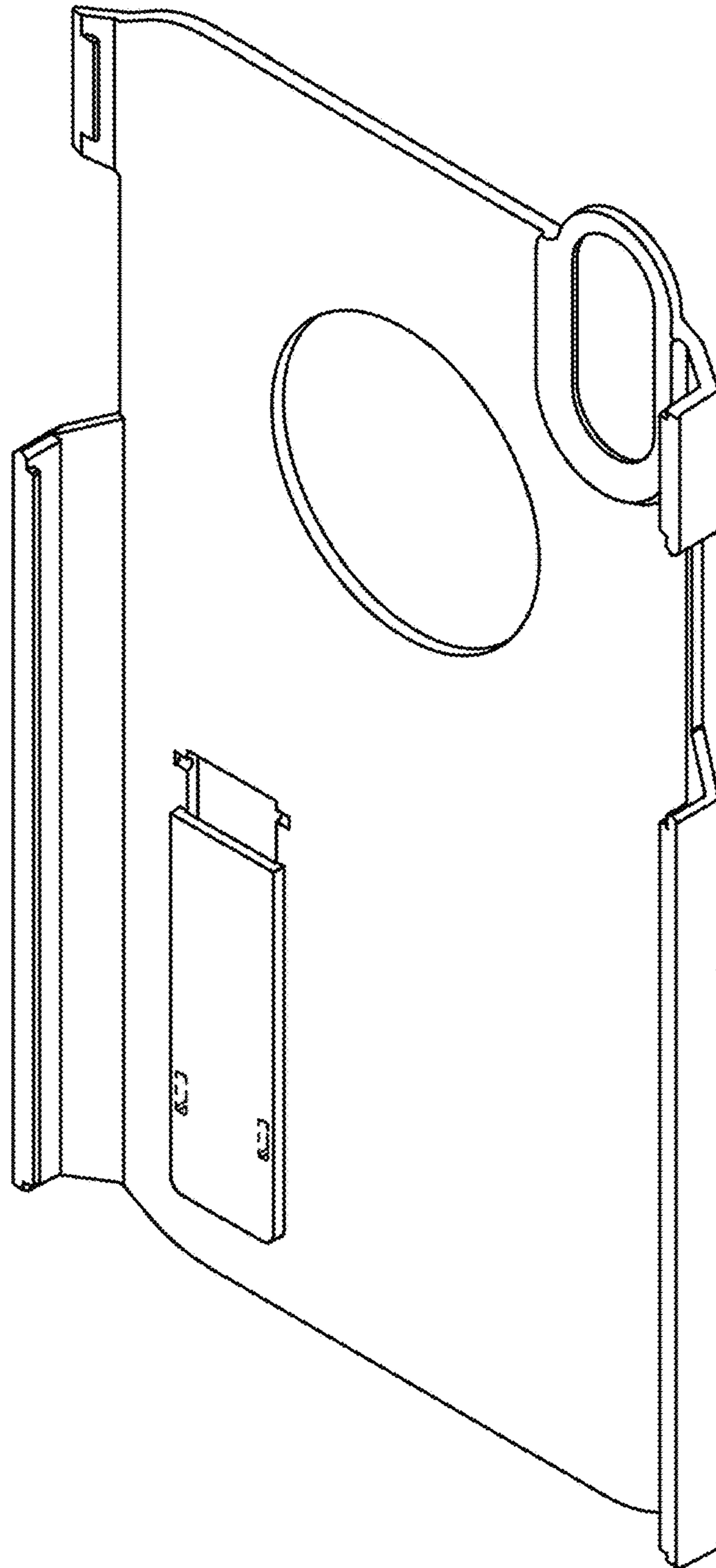


FIG. 13

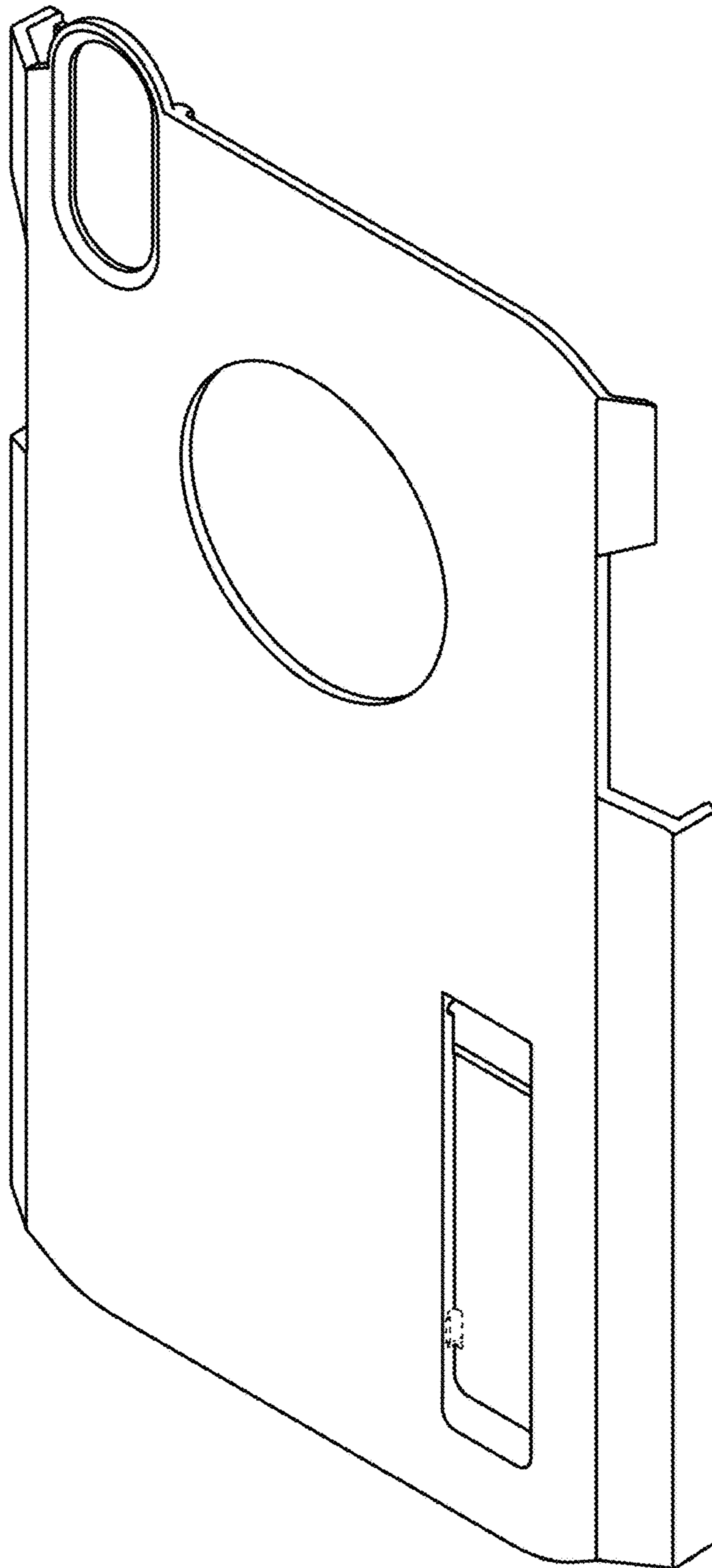


FIG. 14

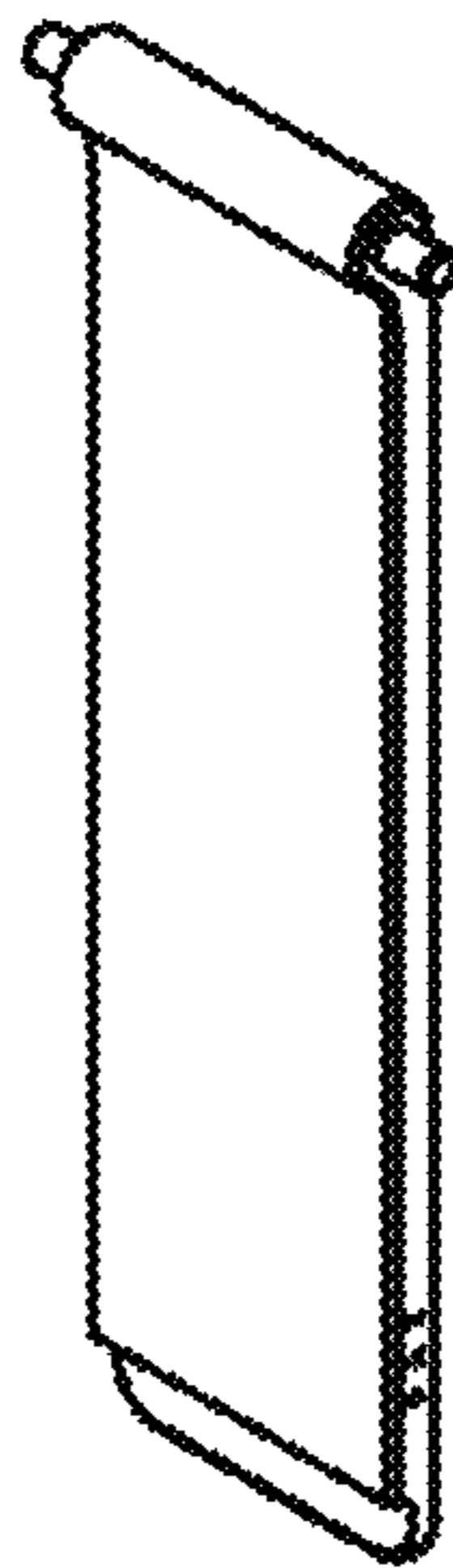


FIG. 15

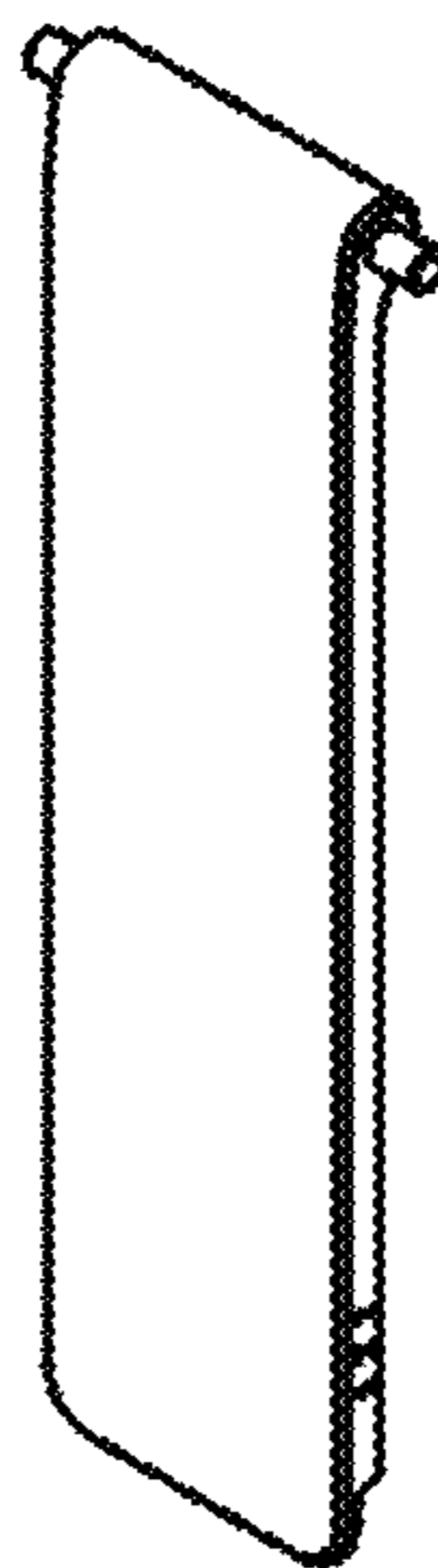


FIG. 16

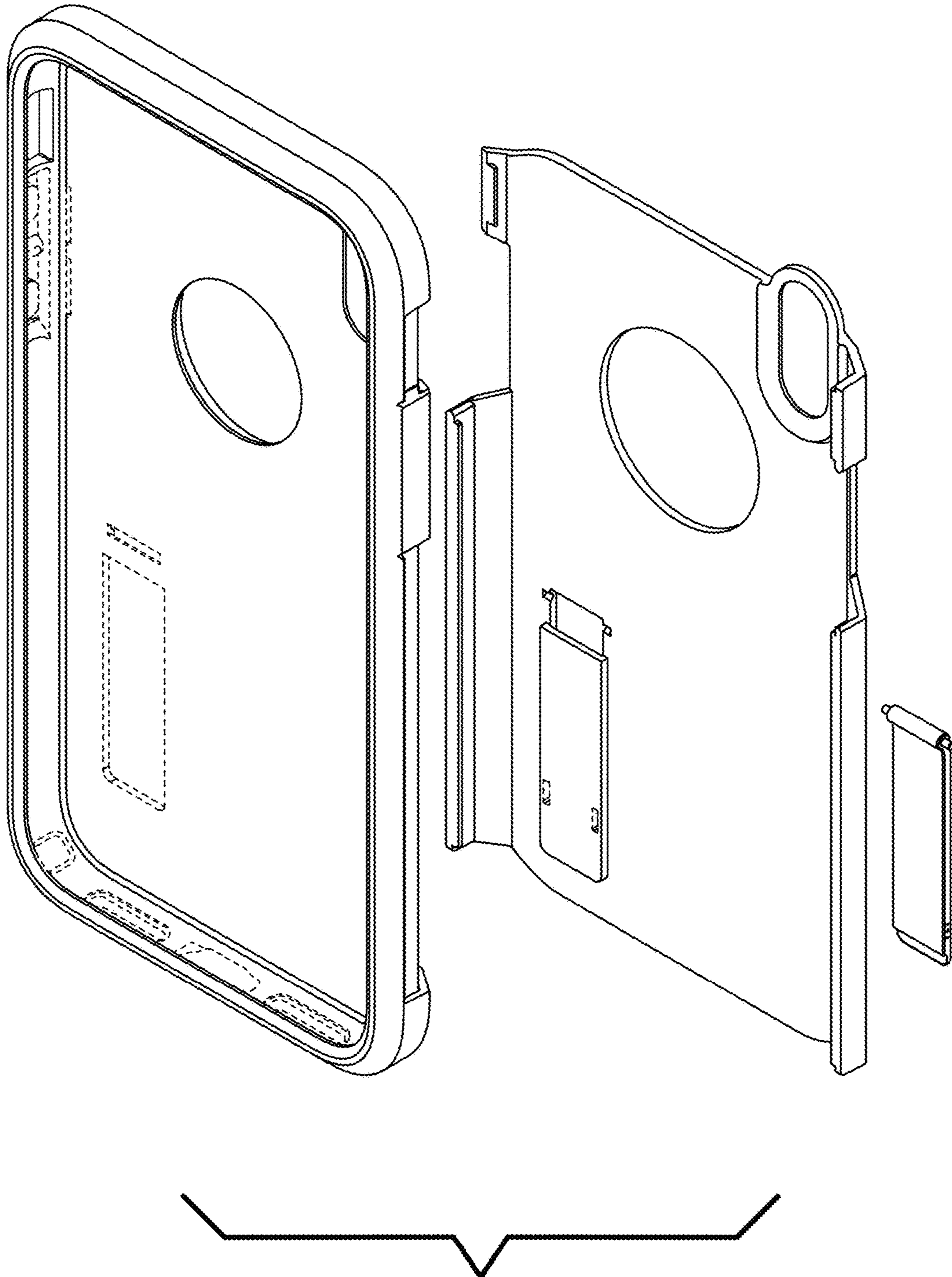


FIG. 17

