



US00D858500S

(12) **United States Design Patent** (10) **Patent No.:** **US D858,500 S**
Webb et al. (45) **Date of Patent:** **** Sep. 3, 2019**

(54) **PICTURE FRAME SMARTPHONE CASE**

(71) Applicant: **BBY SOLUTIONS, INC.**, Richfield, MN (US)

(72) Inventors: **Bradley F. Webb**, Woodbury, MN (US); **Doug Hinds**, Santa Monica, CA (US); **Vinh Diep**, Santa Monica, CA (US); **Adelaide McGinnis**, Chanhassen, MN (US)

(73) Assignee: **BBY SOLUTIONS, INC.**, Richfield, MN (US)

(**) Term: **15 Years**

(21) Appl. No.: **29/505,563**

(22) Filed: **Dec. 23, 2015**

(51) **LOC (12) Cl.** **14-03**

(52) **U.S. Cl.**
USPC **D14/250**

(58) **Field of Classification Search**
USPC D3/218, 232, 233, 239, 242, 245–251, D3/269, 273, 301, 303; D13/103, 107,
(Continued)

(56) **References Cited**

U.S. PATENT DOCUMENTS

D36,691 S * 12/1903 Oldenbusch D6/309
D137,047 S * 1/1944 Halpern D19/91
(Continued)

OTHER PUBLICATIONS

Custom Framing with Mat Board: Designing with Size, posting date Mar. 10, 2014, [online] [site visited Apr. 30, 2018] Available from Internet, <URL: <https://www.americanframe.com/blogs/a-good-frame-of-mind/March-2014/custom-framing-with-mat-board-designing-with-size.aspx>> (Year: 2014).*

(Continued)

Primary Examiner — Susan E Krakower

Assistant Examiner — L. A. Grabenstetter

(74) *Attorney, Agent, or Firm* — Schwegman Lundberg & Woessner, P.A.

(57) **CLAIM**

The ornamental design for a picture frame smartphone case, as shown and described.

DESCRIPTION

FIG. 1 is a front perspective view of a picture frame smartphone case, showing our new design.

FIG. 2 is a rear perspective view of the picture frame smartphone case.

FIG. 3 is a front elevation view of the picture frame smartphone case.

FIG. 4 is a rear elevation view of the picture frame smartphone case.

FIG. 5 is a top plan view of the picture frame smartphone case.

FIG. 6 is a bottom plan view of the picture frame smartphone case.

FIG. 7 is a side elevation view of the picture frame smartphone case.

FIG. 8 is an opposite side elevation view of the picture frame smartphone case.

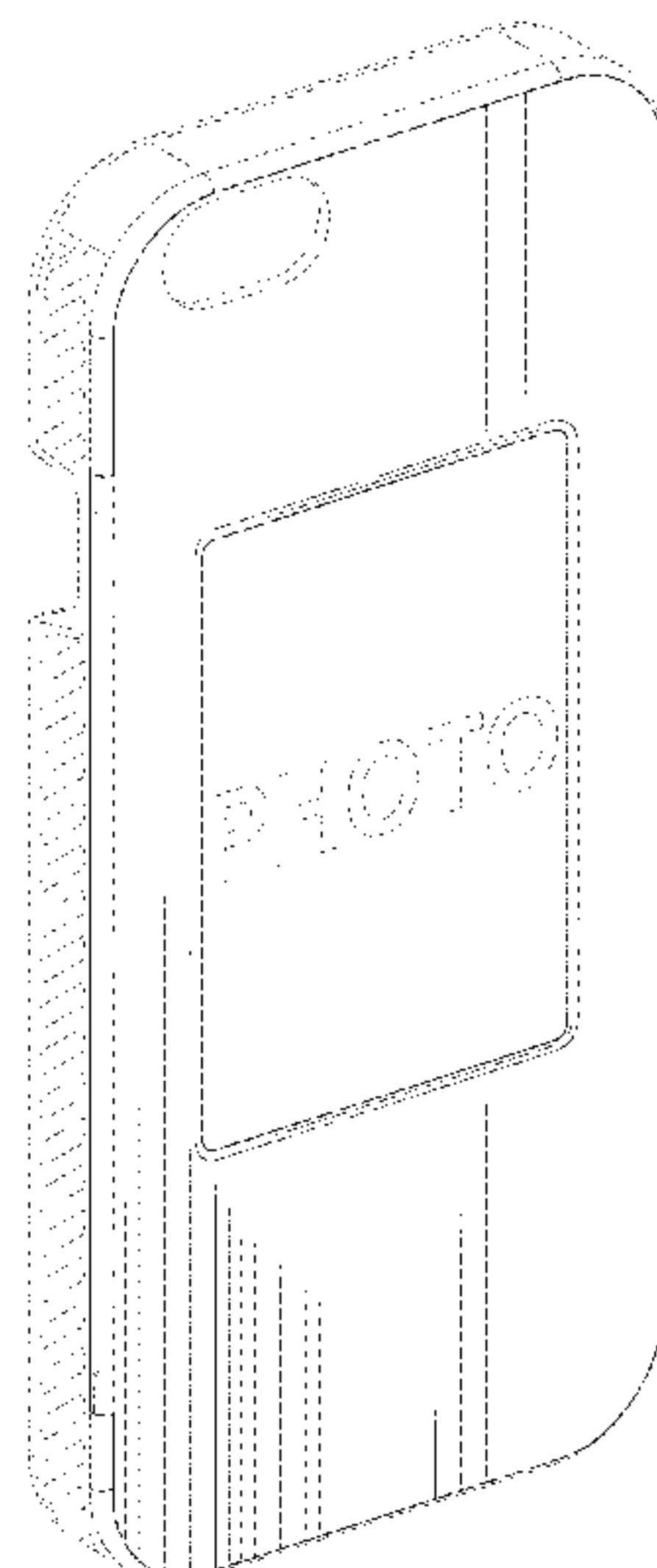
FIG. 9 is a rear perspective view of the picture frame smartphone case, depicting a photo being partially inserted into the picture frame smartphone case.

FIG. 10 is a cross-sectional view of the picture frame smartphone case, based on the cross-sectional line 10 depicted in the rear elevation view of FIG. 4; and,

FIG. 11 is a cross-sectional view of the picture frame smartphone case, based on the cross-sectional line 11 depicted in the rear elevation view of FIG. 4.

The subject matter shown in broken lines depicts portions of the picture frame smartphone case that form no part of the claimed design.

1 Claim, 8 Drawing Sheets



- (58) **Field of Classification Search**
 USPC D13/108, 119; D14/137, 138 R, 138 AA,
 D14/138 C, 138 G, 203.3–203.7, 217,
 D14/238.1, 247, 248, 250, 251–253, 440;
 D11/132; D6/300, 303, 309, 310
 CPC H04B 1/3888; H04M 1/0283;
 H04M 1/0202; A45C 1/06; A45C
 2011/002; A45C 11/00; A45F 2005/028;
 A45F 2200/0525
 See application file for complete search history.

(56) **References Cited**

U.S. PATENT DOCUMENTS

D278,666	S	*	5/1985	McCartin	D6/300
D278,865	S	*	5/1985	McCaffrey	D6/300
D282,024	S		1/1986	Muranen		
D317,679	S	*	6/1991	LaRochelle	D11/133
D321,491	S	*	11/1991	Stagl	D11/132
D354,455	S	*	1/1995	Hosker	D11/132
D420,810	S	*	2/2000	Mounsey	D6/300
D427,440	S	*	7/2000	Rowan	D6/300
D471,366	S	*	3/2003	Park	D6/300
D504,575	S	*	5/2005	McDaniel	D6/309
D527,533	S	*	9/2006	Schaefer	D6/300
D529,746	S	*	10/2006	Soleymani	D6/601
D551,856	S	*	10/2007	Ko	D3/201
D601,815	S	*	10/2009	Demcher	D6/309
D615,078	S	*	5/2010	Bradley	D14/250
D618,463	S	*	6/2010	Nagase	D6/300
D619,130	S	*	7/2010	Fellig	D14/250
D631,246	S		1/2011	Boettner		
D645,261	S	*	9/2011	Puskas	D6/303
D677,249	S	*	3/2013	Li	D14/250
D679,270	S	*	4/2013	Eicher	D14/250
D685,779	S	*	7/2013	Schriefer	D14/250
D688,653	S	*	8/2013	Wynn	D14/250
D701,265	S	*	3/2014	Greenhalgh	D19/113
D703,651	S	*	4/2014	Ehrlich	D14/250
D724,785	S	*	3/2015	Frederick	D14/250

OTHER PUBLICATIONS

Mat Cutting and Framing Tutorial for Photographers and Artists,
 earliest verifiable date Aug. 30, 2014, [site visited Apr. 30, 2018]

Available from Internet, <URL: <http://crawfordphotoschool.com/framing/index.php>> (Year: 2014).*

Cool Polaroid Picture Frame and Mirror, posting date Aug. 24, 2011, [site visited Apr. 30, 2018] Available from Internet, <URL: <https://mymodernmet.com/polaroid-picture-frame-and-mirror/>> (Year: 2011).*

“3D Luxe DIY Photo-Frame Case for iPhone 5/5s”, [online]. © 2016 Groupon, Inc. [retrieved on Jan. 26, 2016]. Retrieved from the Internet: <URL: <https://www.groupon.com/deals/gg-3d-luxe-diy-photo-frame-case-for-iphone-55s-2>>, (2016), 3 pgs.

“iPhone 5/5s Photo Frame Cases”, [online]. © 2011 3Dluxe.com. [retrieved on Jan. 26, 2016]. Retrieved from the Internet: <URL: <http://www.3dluxe.com/diy-iphone-5-5s-photo-frame-cover-cases.html?>>, (2011), 2 pgs.

“My Sweetheart iPhone 4/4s Photo Cell Phone Insert”, [online]. © 1996-2016 PersonalizationMall.com. [retrieved on Jan. 26, 2016]. Retrieved from the Internet: <URL: <http://www.personalizationmail.com/Personalized-Photo-iPhone-4-Case-Insert-My-Sweetheart-i39653.item?productid=14886>>, (2016), 3 pgs.

“Picture Frame Smartphone Cases”, [online]. © 2014 Trend Hunter Inc. [retrieved on Jan. 26, 2016]. Retrieved from the Internet: <URL: <http://www.trendhunter.com/trends/picture-iphone-case>, (2014), 45 pgs.

“PixCase—iPhone 6”, [online]. © 2011 Cottage Mills LLC. [retrieved on Jan. 26, 2016]. Retrieved from the Internet: <URL: <http://www.jaymo.co/shop/products/photo-gifts/pixcase/pixcase-iphone6.html>>, (2011), 1 pg.

“Speck® CandyShell Card iPhone 6s & iPhone 6 Cases”, [online]. © 2016 Samsonite IP Holdings S.AR.L. [retrieved on Jan. 26, 2016]. Retrieved from the Internet: <URL: <http://www.speckproducts.com/apple/iphone-cases/iphone-6-cases/candyshell-card-iphone-6-cases/IP6-CS-CARD.html>>, (2016), 5 pgs.

“U.S. Appl. No. 29/505,593, Non Final Office Action dated May 7, 2018”, 12 pgs.

“U.S. Appl. No. 29/505,593, Response filed Sep. 10, 2018 to Non Final Office Action dated May 7, 2018”, 31 pgs.

“U.S. Appl. No. 29/505,593, Final Office Action dated Dec. 11, 2018”, 10 pgs.

“U.S. Appl. No. 29/505,593, Response filed Apr. 2, 2019 to Final Office Action dated Dec. 11, 2018”, 19 pgs.

* cited by examiner

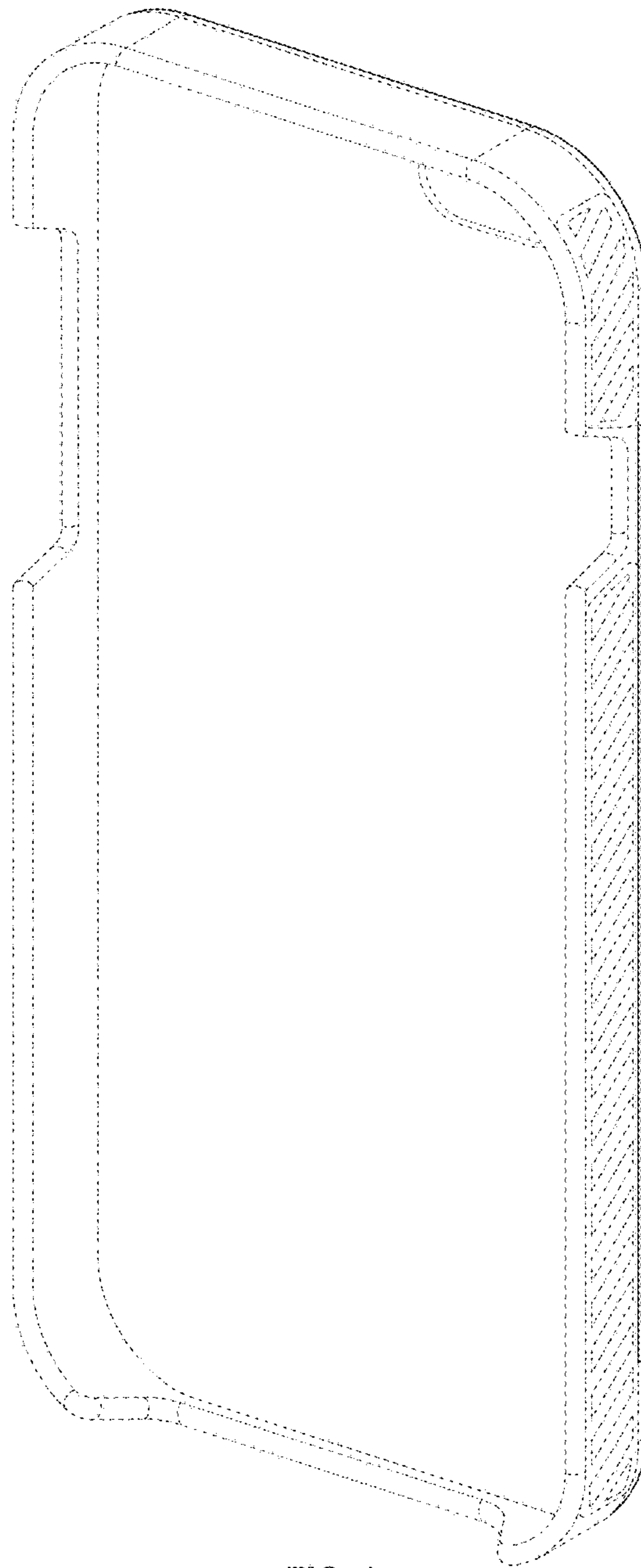


FIG. 1

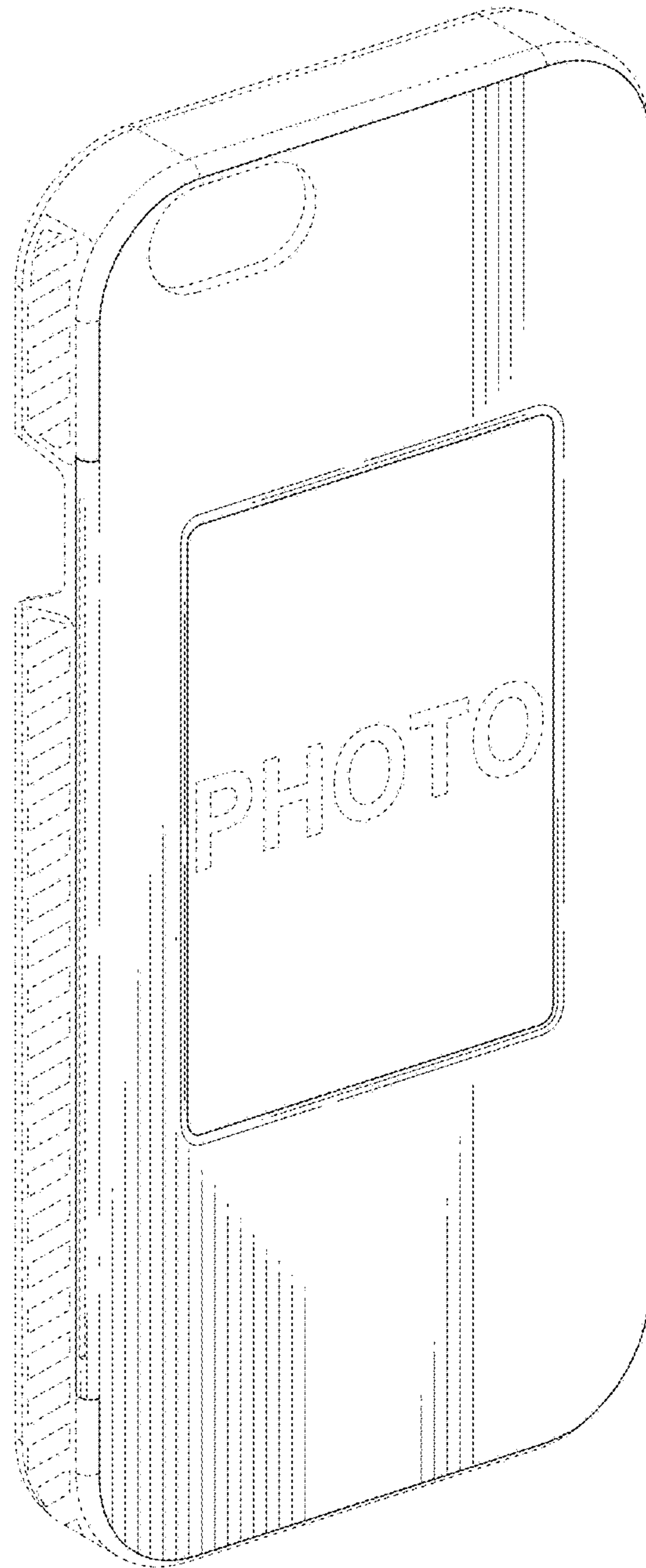


FIG. 2

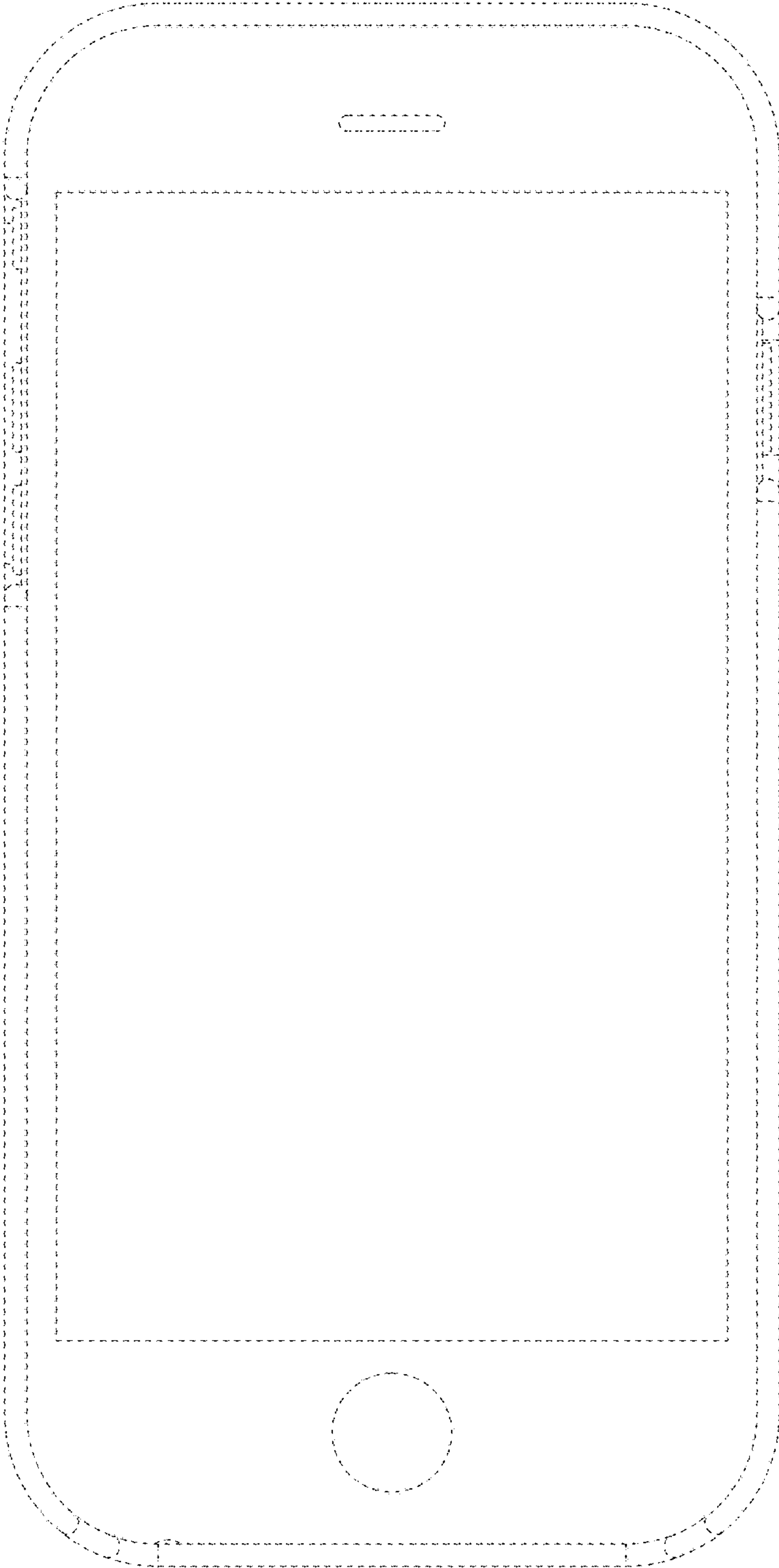


FIG. 3

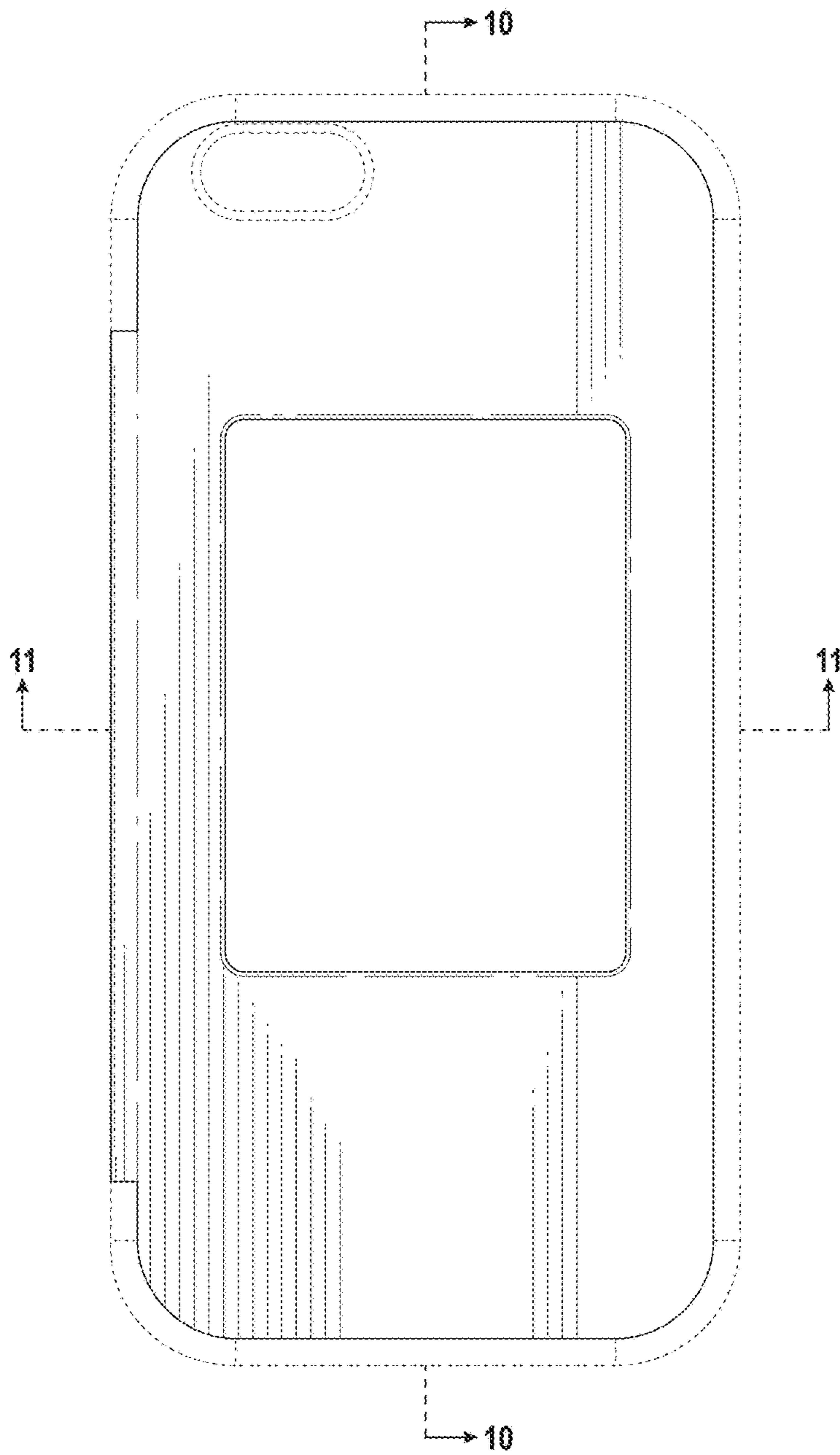


FIG. 4

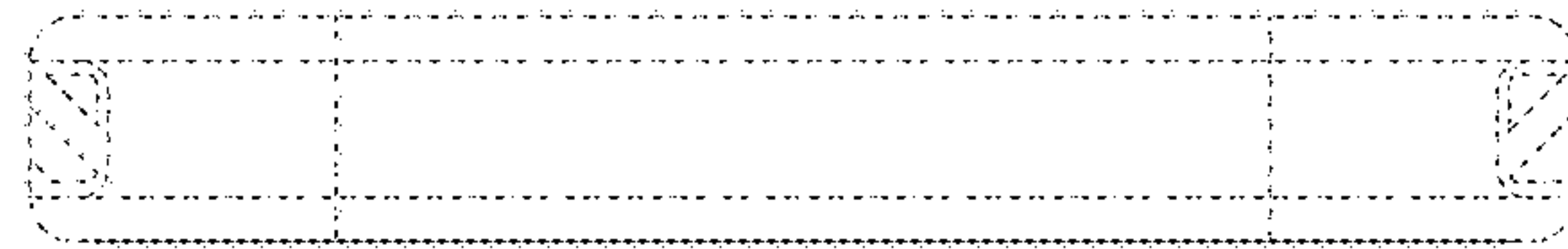


FIG. 5

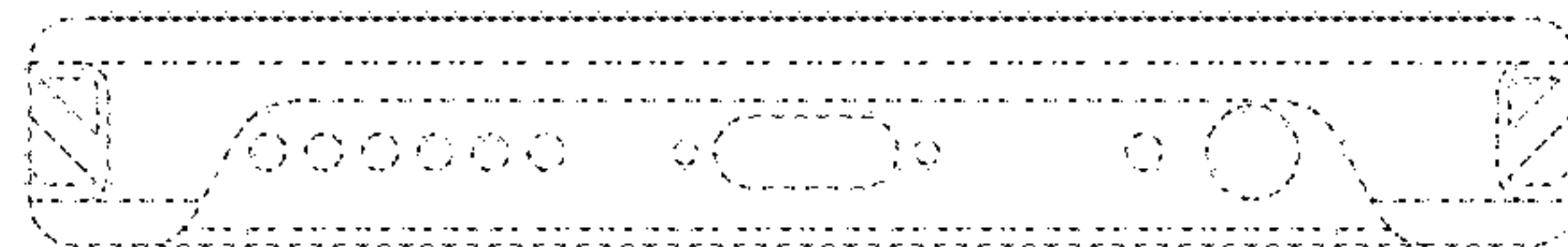


FIG. 6

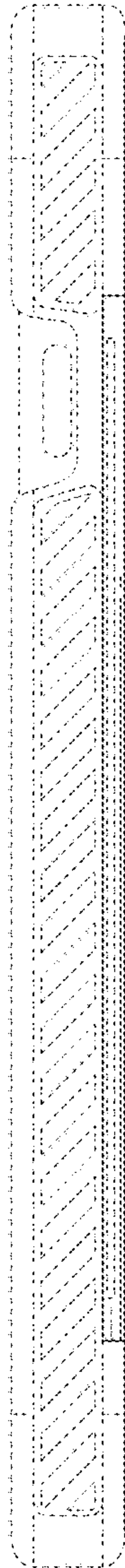


FIG. 7

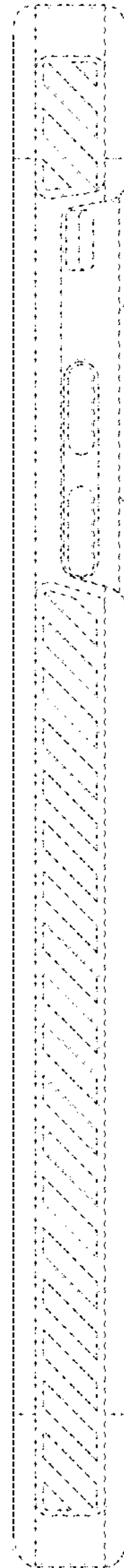


FIG. 8

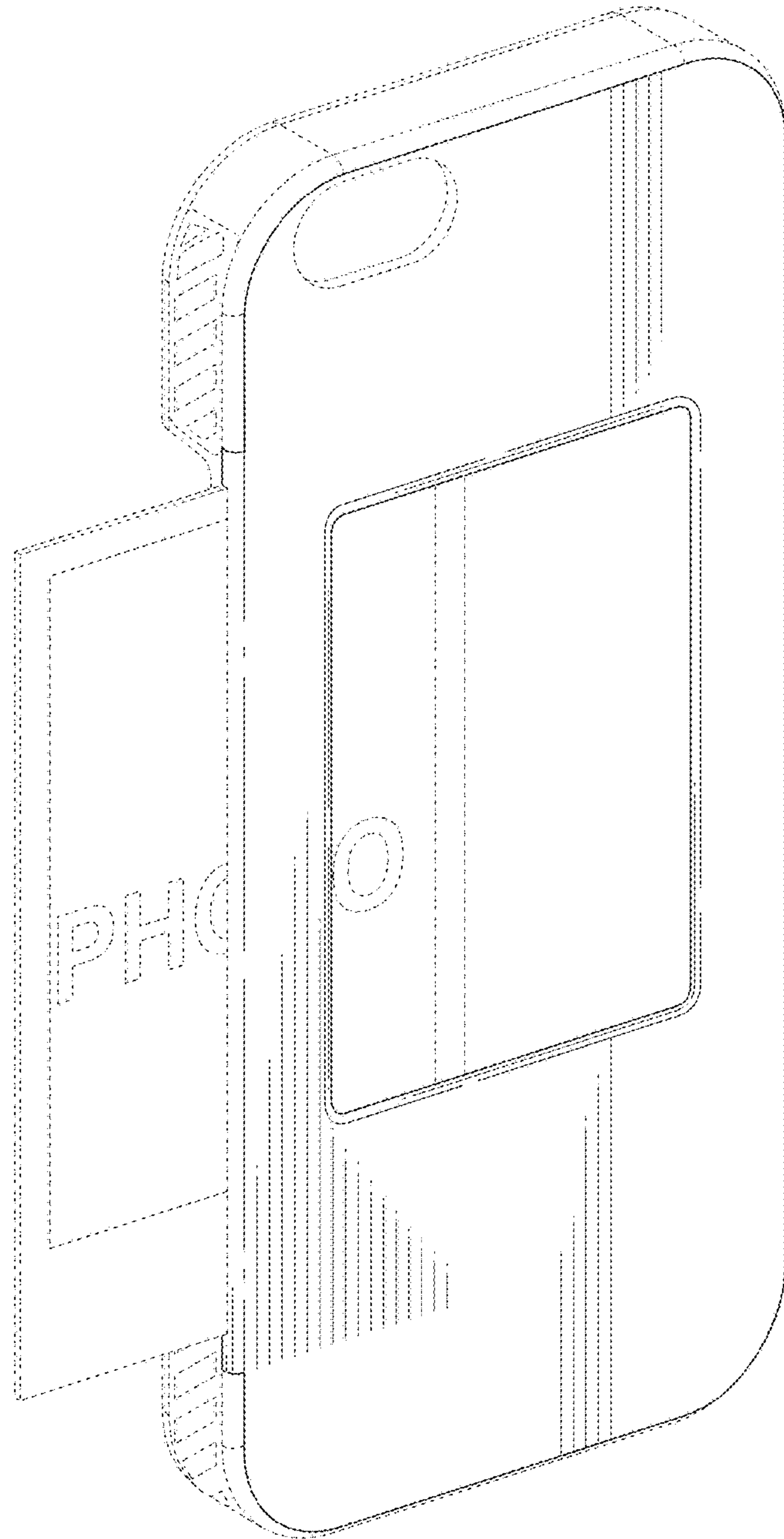


FIG. 9

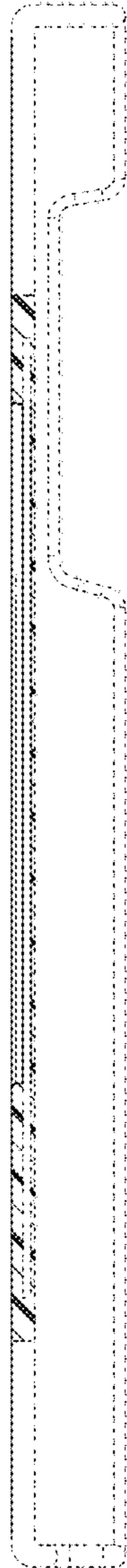


FIG. 10

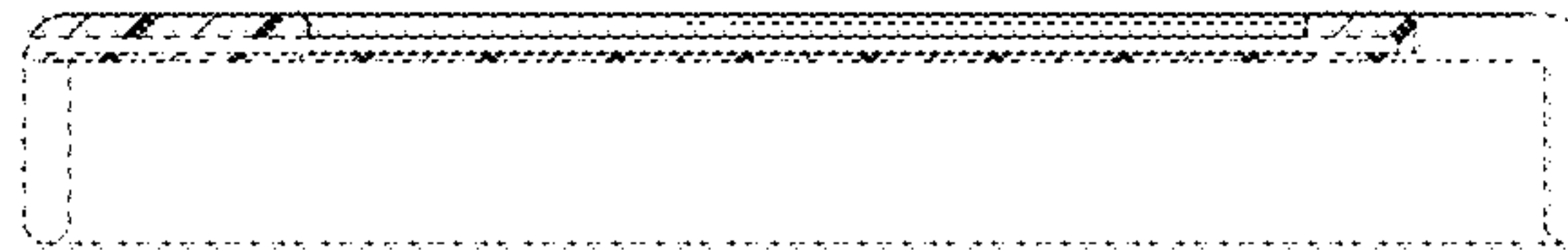


FIG. 11