



US00D858499S

(12) **United States Design Patent** (10) **Patent No.:** **US D858,499 S**
Yang (45) **Date of Patent:** **** Sep. 3, 2019**

- (54) **MIFI DEVICE**
- (71) Applicant: **Beijing ULINK Technology Co., Ltd.**,
Beijing (CN)
- (72) Inventor: **Sungwook Yang**, Beijing (CN)
- (73) Assignee: **BEIJING ULINK TECHNOLOGY CO., LTD.**, Beijing (CN)
- (**) Term: **15 Years**
- (21) Appl. No.: **29/645,937**
- (22) Filed: **Apr. 30, 2018**

- D658,640 S 5/2012 Ivaskevicius
- D694,740 S 12/2013 Apostolakis
- D700,904 S * 3/2014 Miller D13/168
- D726,672 S 4/2015 Olodort
- D730,349 S 5/2015 Burmeister-Brown et al.
- D743,954 S * 11/2015 Chuang D13/168
- D751,538 S * 3/2016 Koehler D14/240
- D766,844 S * 9/2016 Turksu D10/104.1
- D770,430 S 11/2016 Lee
- D780,727 S 3/2017 Wang
- D780,729 S * 3/2017 Shin D14/242
- D797,086 S 9/2017 Lu
- D806,072 S * 12/2017 Gummalla D14/358

(Continued)

Primary Examiner — Bridget L Eland
(74) *Attorney, Agent, or Firm* — Novick, Kim & Lee,
PLLC; Allen Xue; Hyun Woo Shin

Related U.S. Application Data

- (63) Continuation-in-part of application No. 29/629,195,
filed on Dec. 12, 2017.

Foreign Application Priority Data

- Sep. 27, 2017 (CN) 2017 3 0463422
- Mar. 9, 2018 (CN) 2018 3 0087797

- (51) **LOC (12) Cl.** **14-03**

- (52) **U.S. Cl.**
USPC **D14/242**

- (58) **Field of Classification Search**
USPC D14/240, 242, 357, 358, 125, 126,
D14/140–140.9, 348, 349, 351, 354, 355
CPC H04L 12/00; H03K 17/00; H04W 88/00;
H04W 88/005; H04W 88/02; H04W
88/08; H04W 88/085; H04W 88/10;
H04W 88/12; H04W 88/14; H04B 1/38
See application file for complete search history.

(56) **References Cited**

U.S. PATENT DOCUMENTS

- D407,985 S * 4/1999 Pimentel D10/104.2
- D453,329 S * 2/2002 Muramatsu D14/230

(57) **CLAIM**

I claim the ornamental design for a MIFI device, as shown and described.

DESCRIPTION

FIG. 1 is a front perspective view of a MIFI device showing my new design in a combined state, comprised of a front section and a rear section;

FIG. 2 is a rear perspective view thereof;

FIG. 3 is a front elevational view thereof;

FIG. 4 is a rear elevational view thereof;

FIG. 5 is a left side elevational view thereof;

FIG. 6 is a right side elevational view thereof;

FIG. 7 is a top plan view thereof;

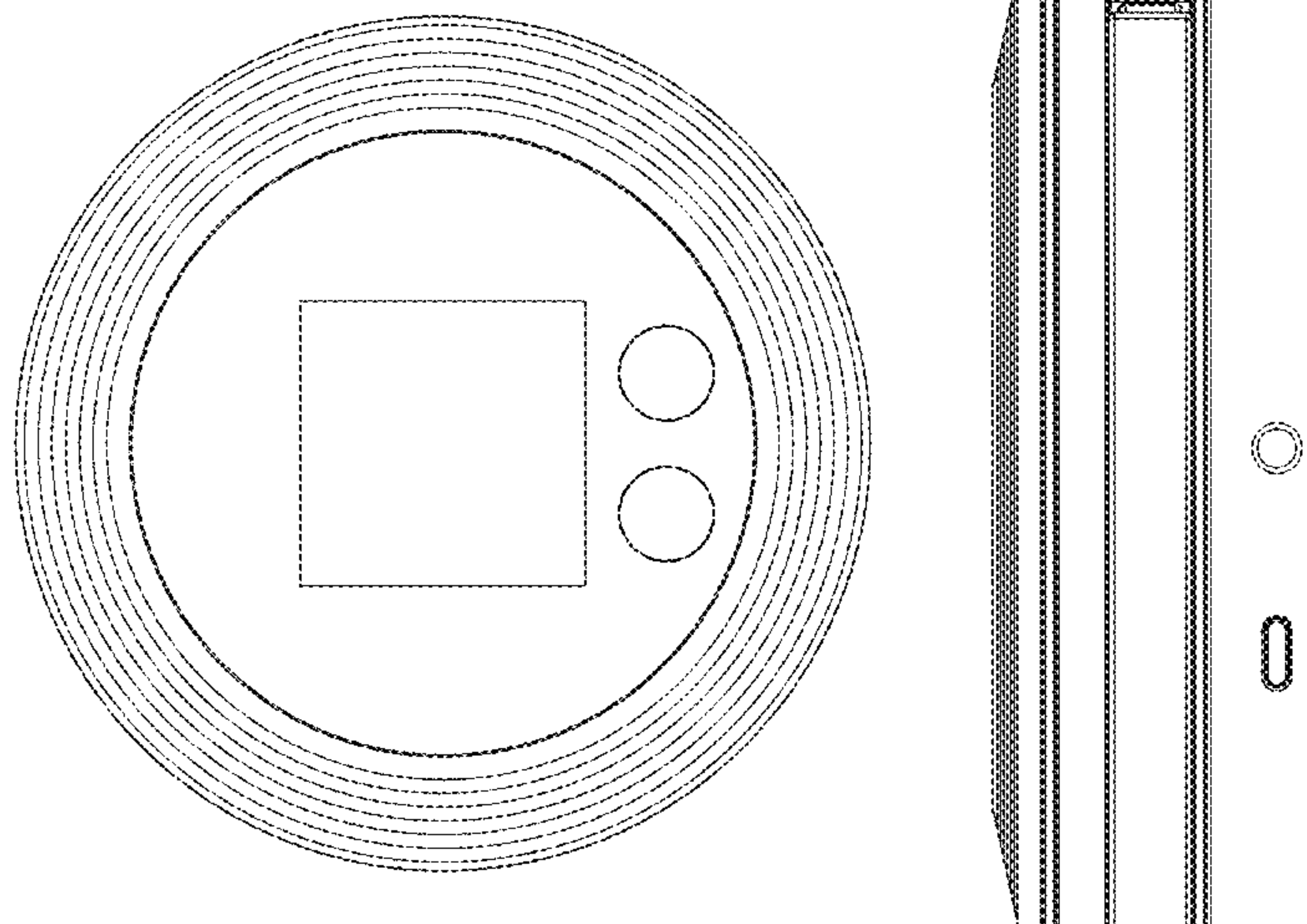
FIG. 8 is a bottom plan view thereof;

FIG. 9 is a front perspective view of the MIFI device of FIG. 1 in a separated state in order to show aspects of the design not otherwise apparent;

FIG. 10 is a rear perspective view thereof; and,

FIG. 11 is another front elevational view of the MIFI device of FIG. 1 showing only the rear section in order to show aspects of the design not otherwise apparent.

1 Claim, 10 Drawing Sheets



(56)

References Cited

U.S. PATENT DOCUMENTS

D806,709 S * 1/2018 Gummalla D14/358
D812,577 S * 3/2018 Turksu D13/168
D815,626 S * 4/2018 Clover D14/242
2016/0365885 A1* 12/2016 Honjo H04B 1/38
2017/0288896 A1* 10/2017 Subervie H04B 1/38

* cited by examiner

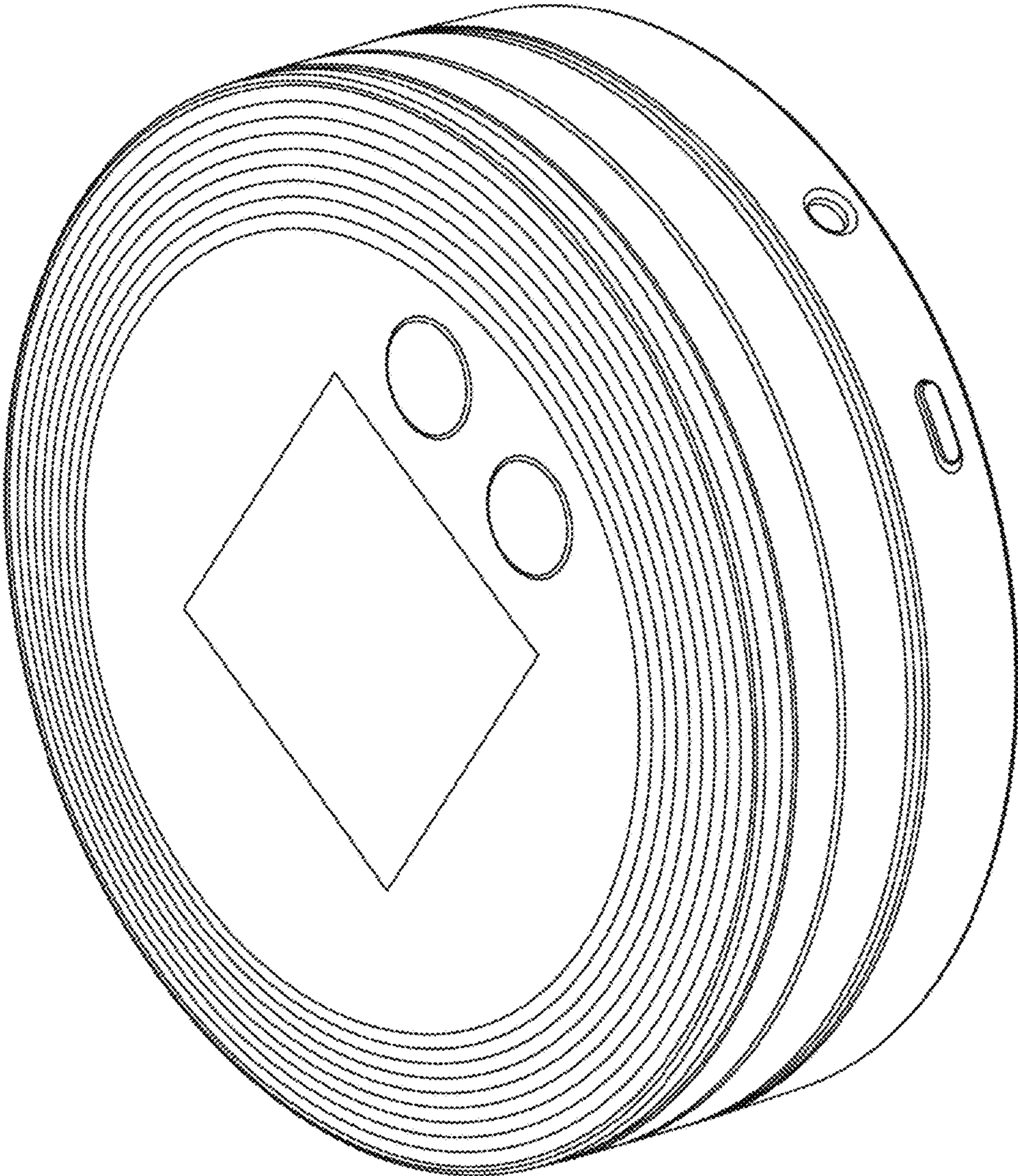


FIG. 1

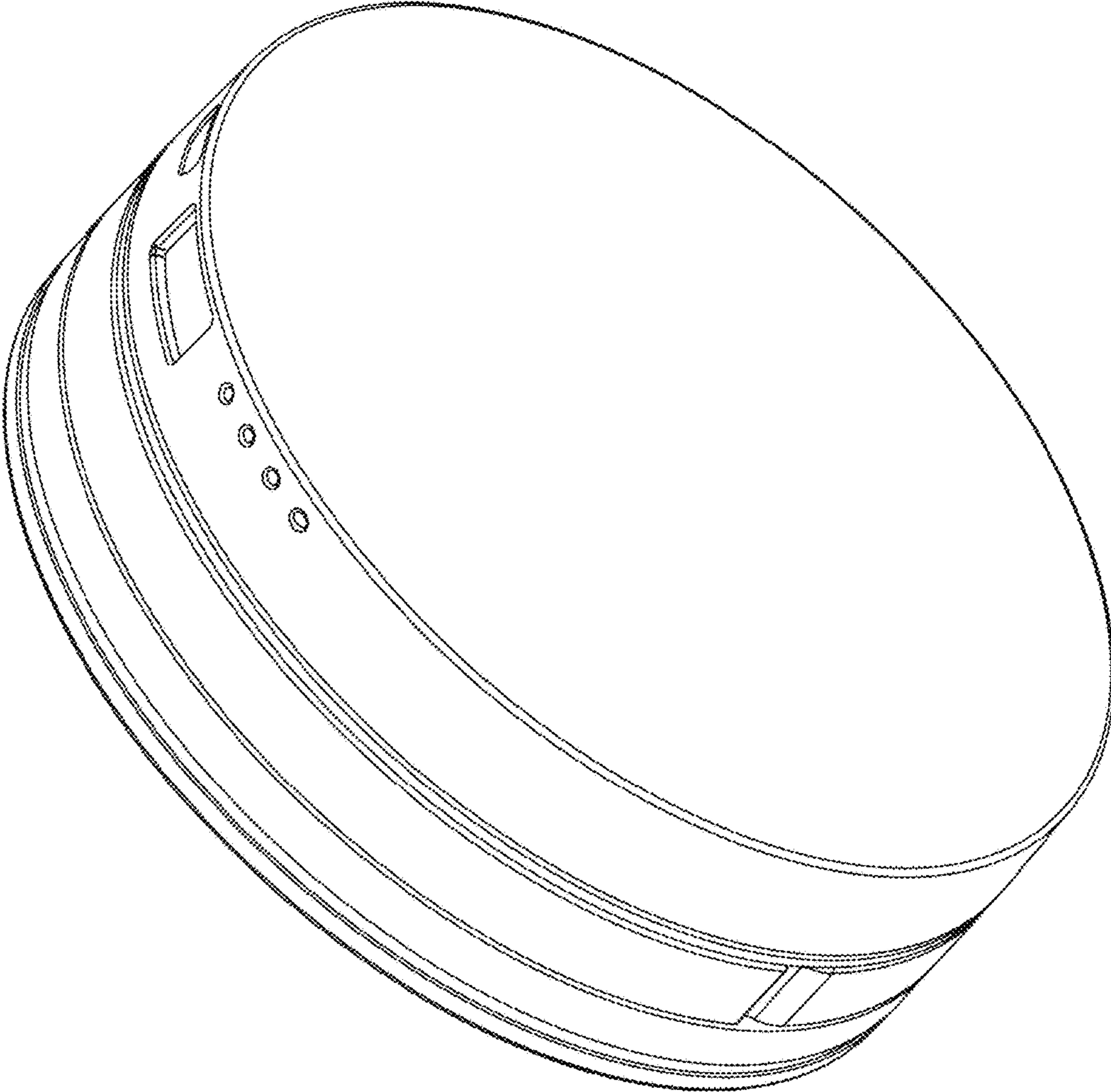


FIG. 2

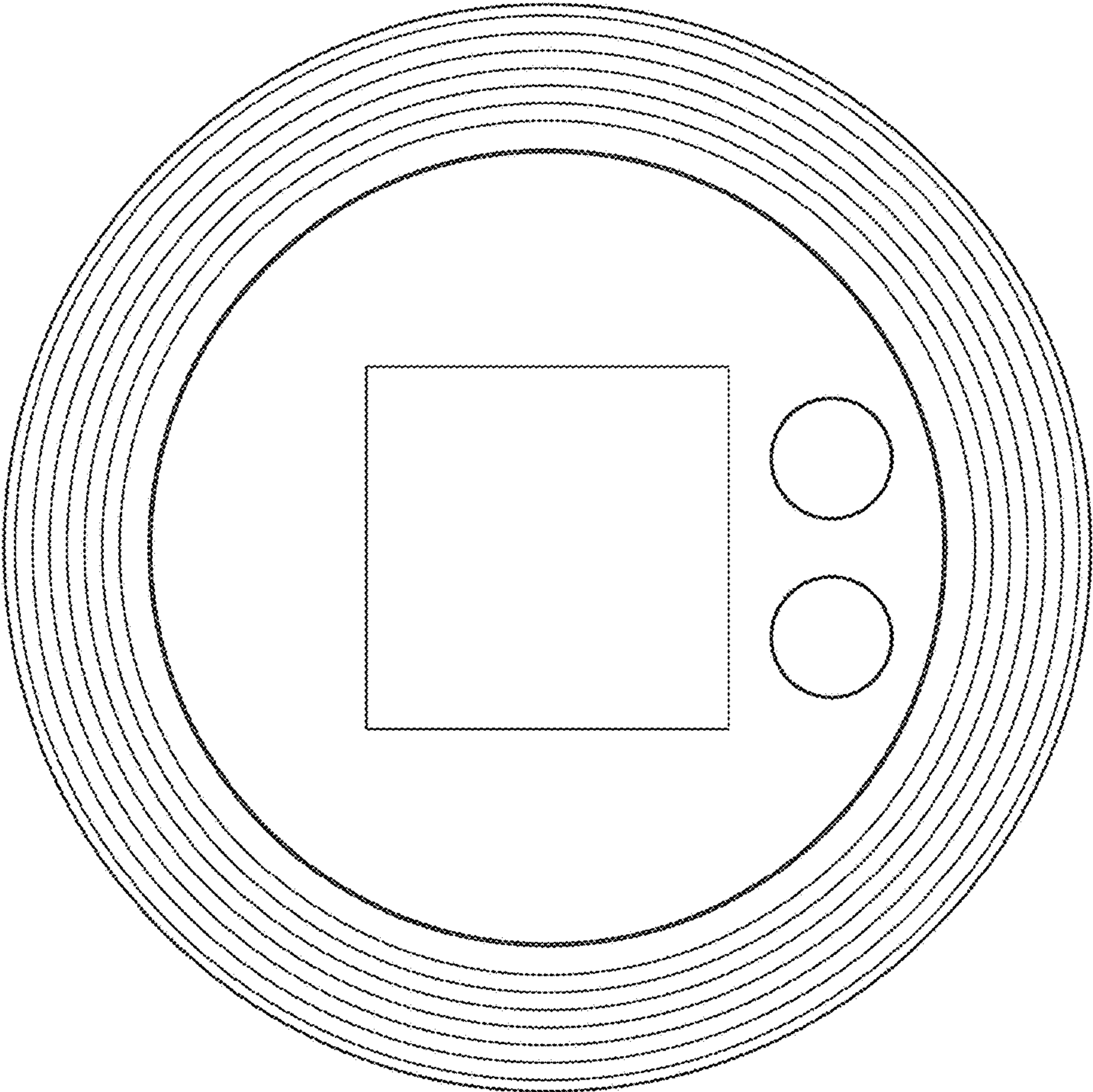


FIG. 3

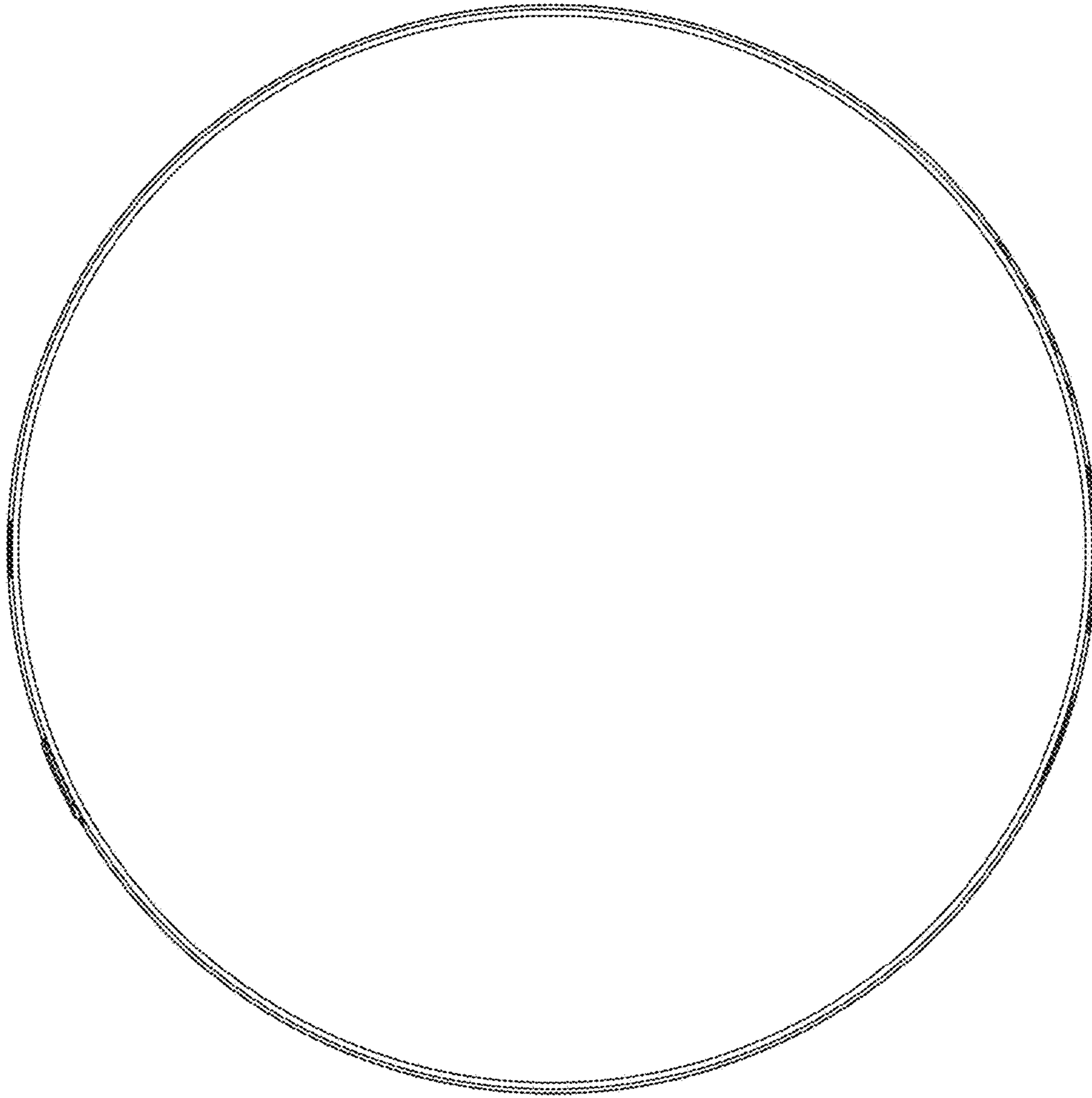


FIG. 4

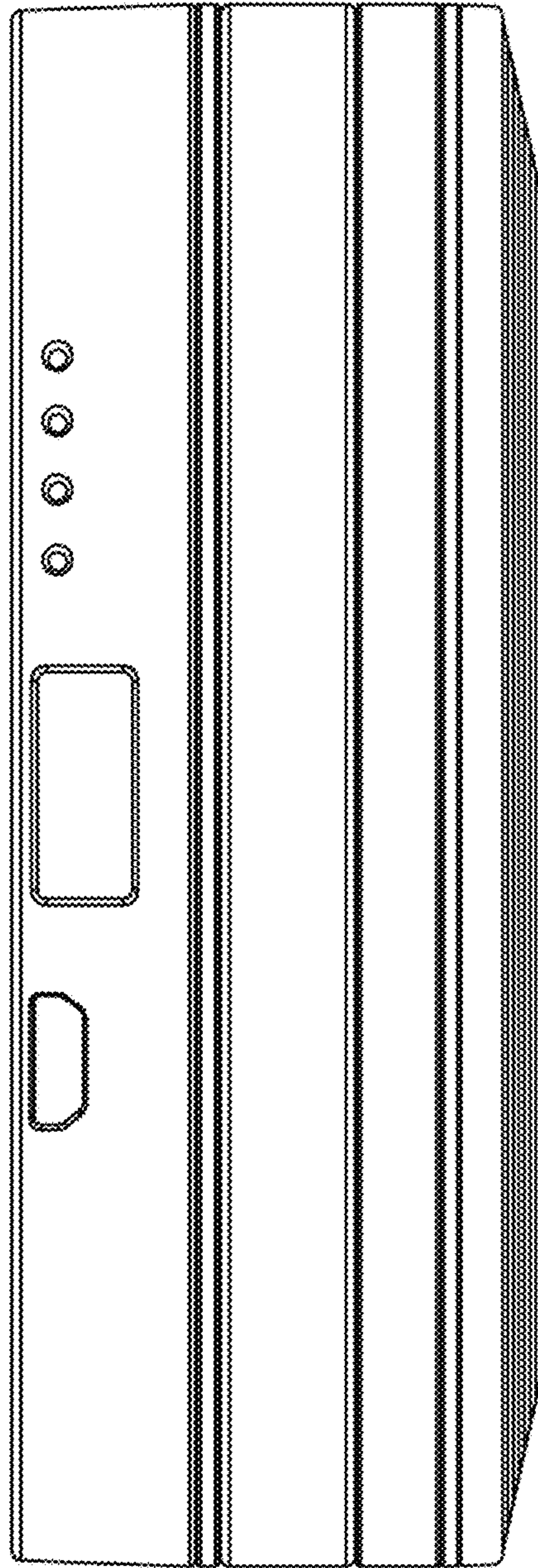


FIG. 5

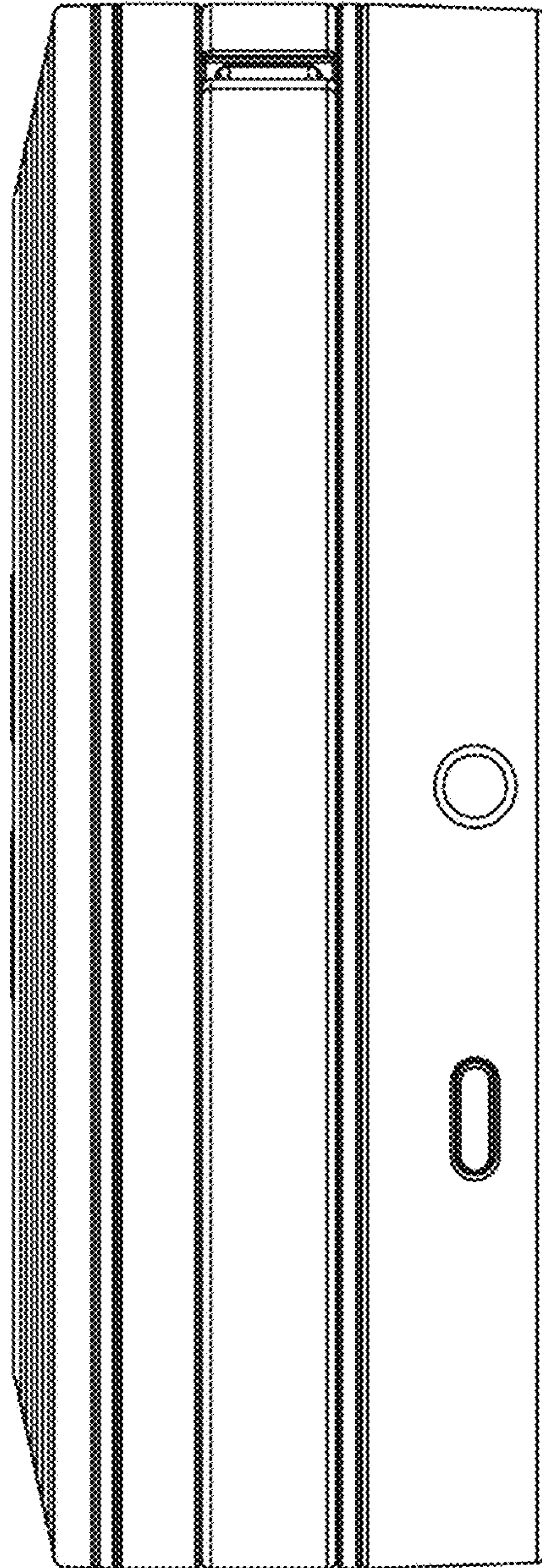


FIG. 6

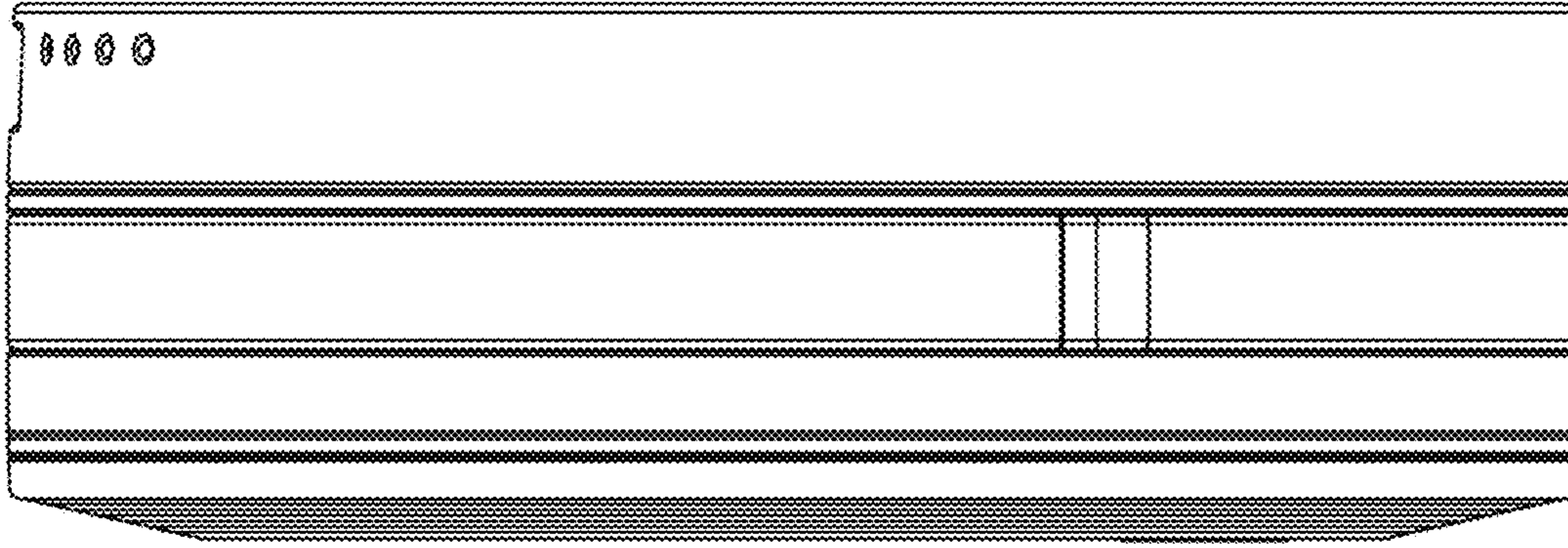


FIG. 7

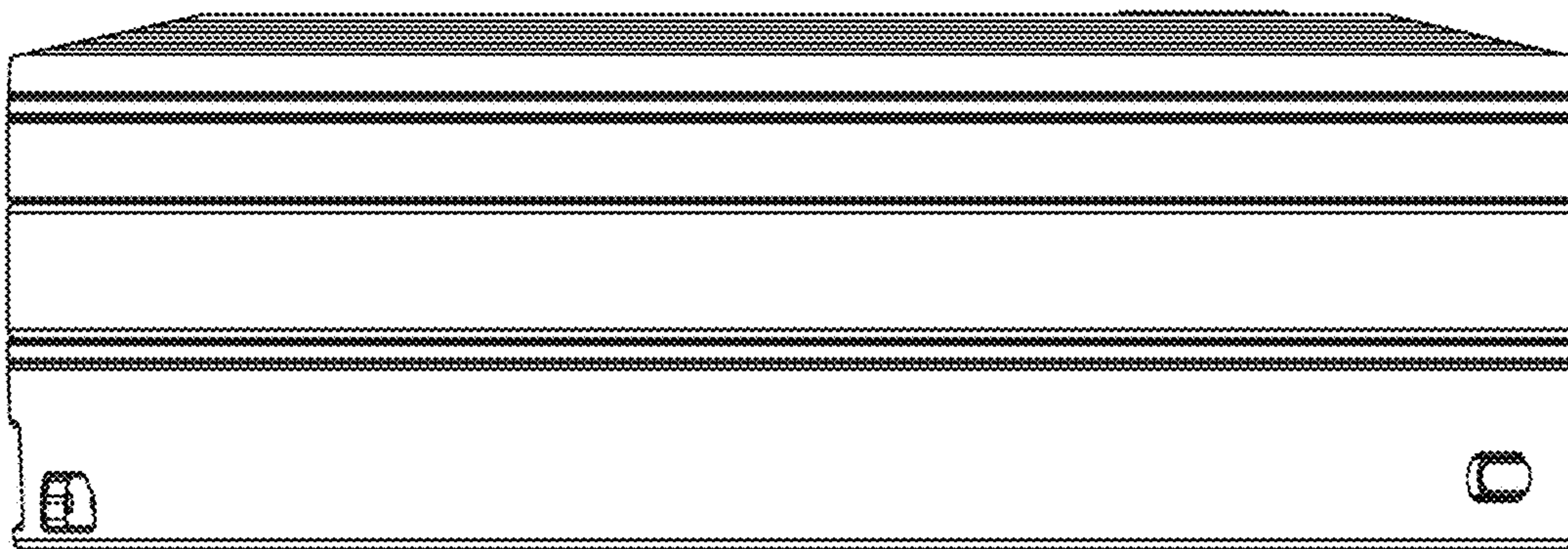


FIG. 8

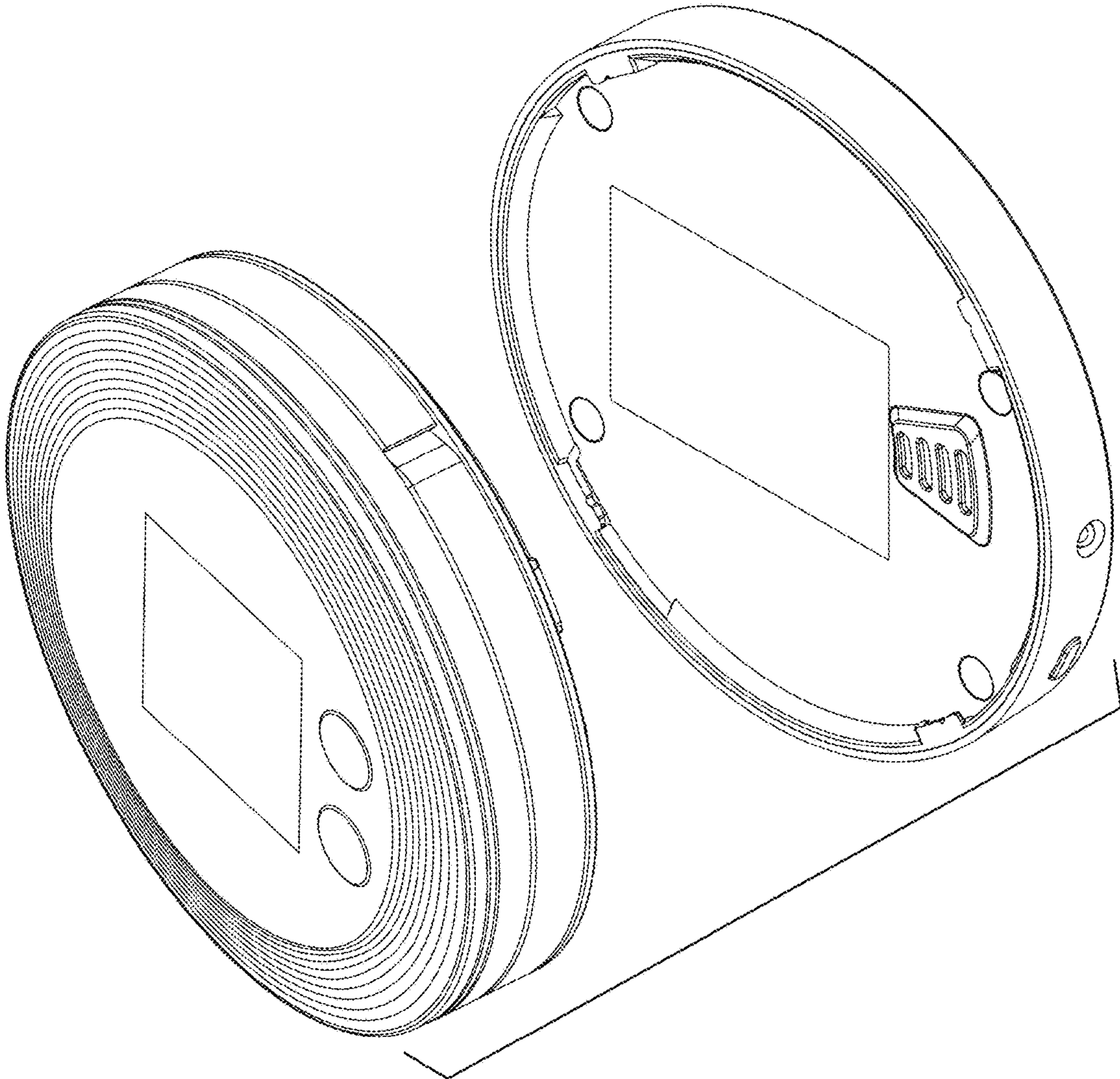


FIG. 9

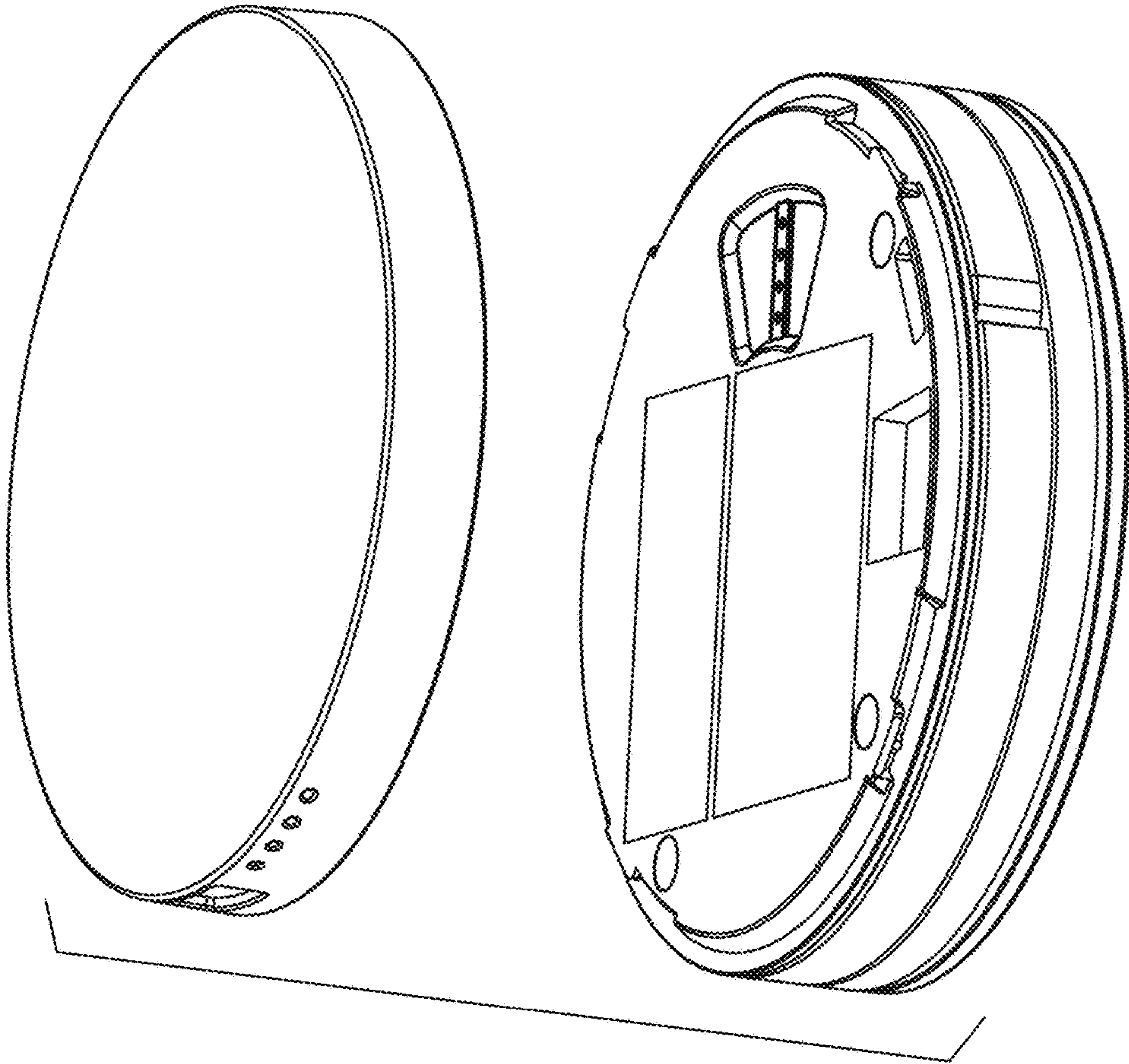


FIG. 10

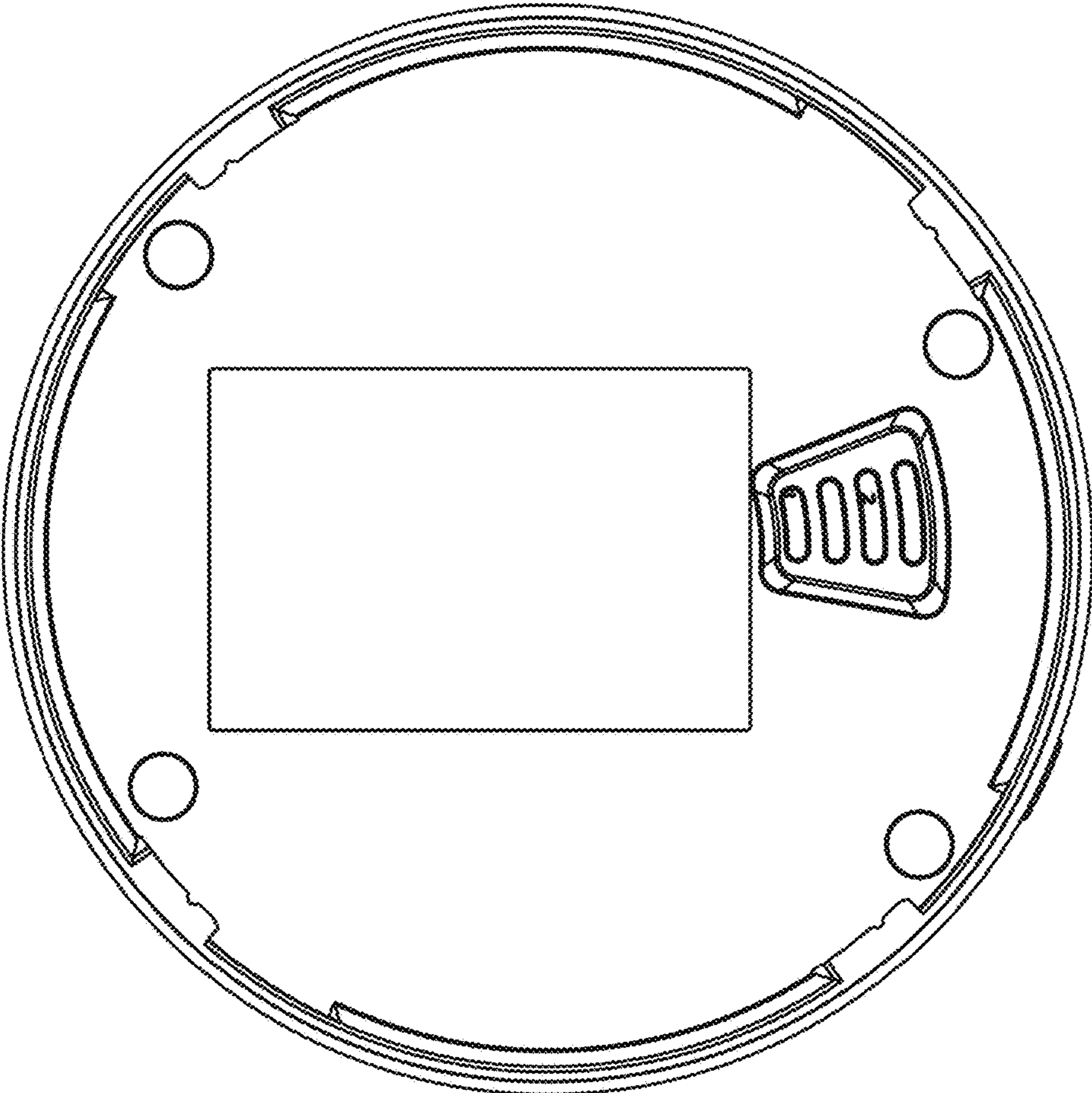


FIG. 11