



US00D858498S

(12) **United States Design Patent** (10) **Patent No.:** **US D858,498 S**
Busl (45) **Date of Patent:** **** Sep. 3, 2019**

- (54) **CONTROL ELEMENT**
- (71) Applicant: **LOGICDATA Electronic & Software Entwicklungs GmbH, Deutschlandsberg (AT)**
- (72) Inventor: **Florian Busl, München (DE)**
- (73) Assignee: **LOGICDATA Electronic & Software Entwicklungs GmbH, Deutschlandsberg (AT)**
- (**) Term: **15 Years**
- (21) Appl. No.: **29/644,693**
- (22) Filed: **Apr. 19, 2018**
- (51) **LOC (12) Cl.** **14-03**
- (52) **U.S. Cl.**
USPC **D14/240; D14/358**
- (58) **Field of Classification Search**
USPC D13/110, 168; D10/104.1, 104.2;
D14/240, 242, 356, 357, 358, 388, 496
CPC ... H04W 84/02; H04W 84/04; H04W 84/042;
H04W 84/045; H04W 84/047; H04W
84/105; H04W 88/00; H04W 88/005;
H04W 88/08; H04W 88/085; H04W
88/10; H04W 88/12; H05K 5/0217
See application file for complete search history.

- (56) **References Cited**
U.S. PATENT DOCUMENTS
D368,097 S * 3/1996 Heberling D14/242
D384,672 S * 10/1997 Heberling D14/242
D420,362 S * 2/2000 Pedraza D14/242
D437,314 S * 2/2001 DeLeon D14/242
D437,592 S * 2/2001 DeLeon D14/242
D448,375 S * 9/2001 Walters D14/368
D452,863 S * 1/2002 Madsen D14/433
D463,417 S * 9/2002 Chan D14/242
D470,839 S * 2/2003 Tuhkanen D14/240

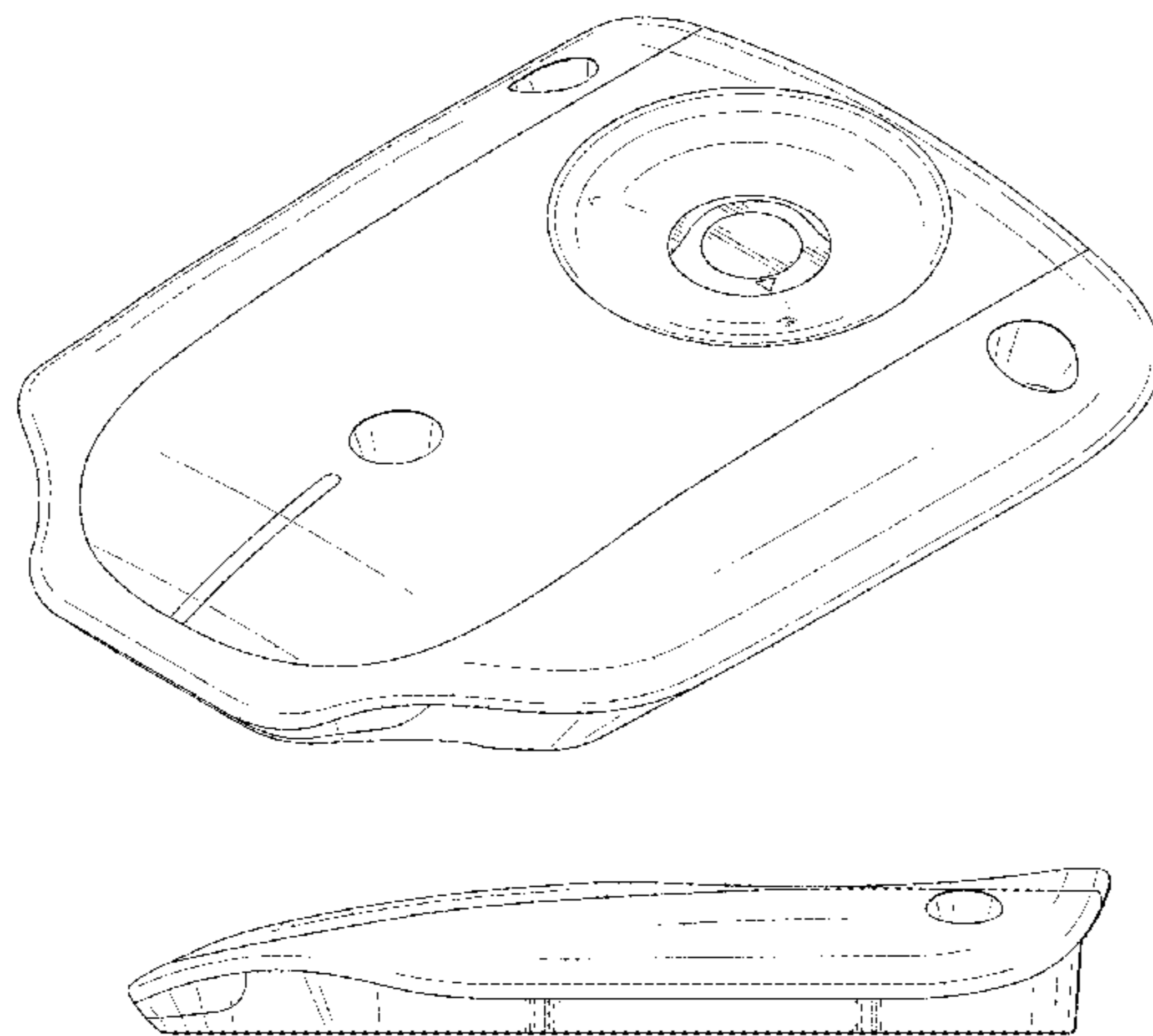
- D472,235 S * 3/2003 Chen D14/240
- D492,946 S * 7/2004 Loiske D14/240
- D523,854 S * 6/2006 Rinna D14/358
- D560,173 S * 1/2008 Chang D13/168
- D566,115 S * 4/2008 Swanson D14/240
- D598,449 S * 8/2009 Landry D14/358
- D616,815 S * 6/2010 Jadraque Aznarez D13/110
- D621,391 S * 8/2010 Douglas D14/240
- D657,755 S * 4/2012 Onoda D13/168
- D685,773 S * 7/2013 Katarow D14/240
- D797,712 S * 9/2017 Chang D14/240
- D809,493 S * 2/2018 Konotopskyi D14/242
- D824,330 S * 7/2018 Hao D13/110
- D828,342 S * 9/2018 Chen D14/240
- D830,869 S * 10/2018 Siminoff D10/106.1
- 2015/0256355 A1 * 9/2015 Pera H04L 12/2803
700/90
- 2017/0093625 A1 * 3/2017 Pera H04L 41/0813
- 2018/0270901 A1 * 9/2018 Charette H01Q 9/42
- 2019/0097976 A1 * 3/2019 Elsins H04L 63/0272

* cited by examiner
Primary Examiner — Selina Sikder
(74) *Attorney, Agent, or Firm* — Slater Matsil, LLP

(57) **CLAIM**
The ornamental design for a control element, as shown and described.

DESCRIPTION
FIG. 1 is a front perspective view of a control element;
FIG. 2 is a front view thereof;
FIG. 3 is a back view thereof;
FIG. 4 is a right side view thereof;
FIG. 5 is a left side view thereof;
FIG. 6 is a top view thereof; and,
FIG. 7 is a bottom view thereof.
The broken line portions of the figure drawings are included to show unclaimed subject matter only and form no part of the claimed design.

1 Claim, 5 Drawing Sheets



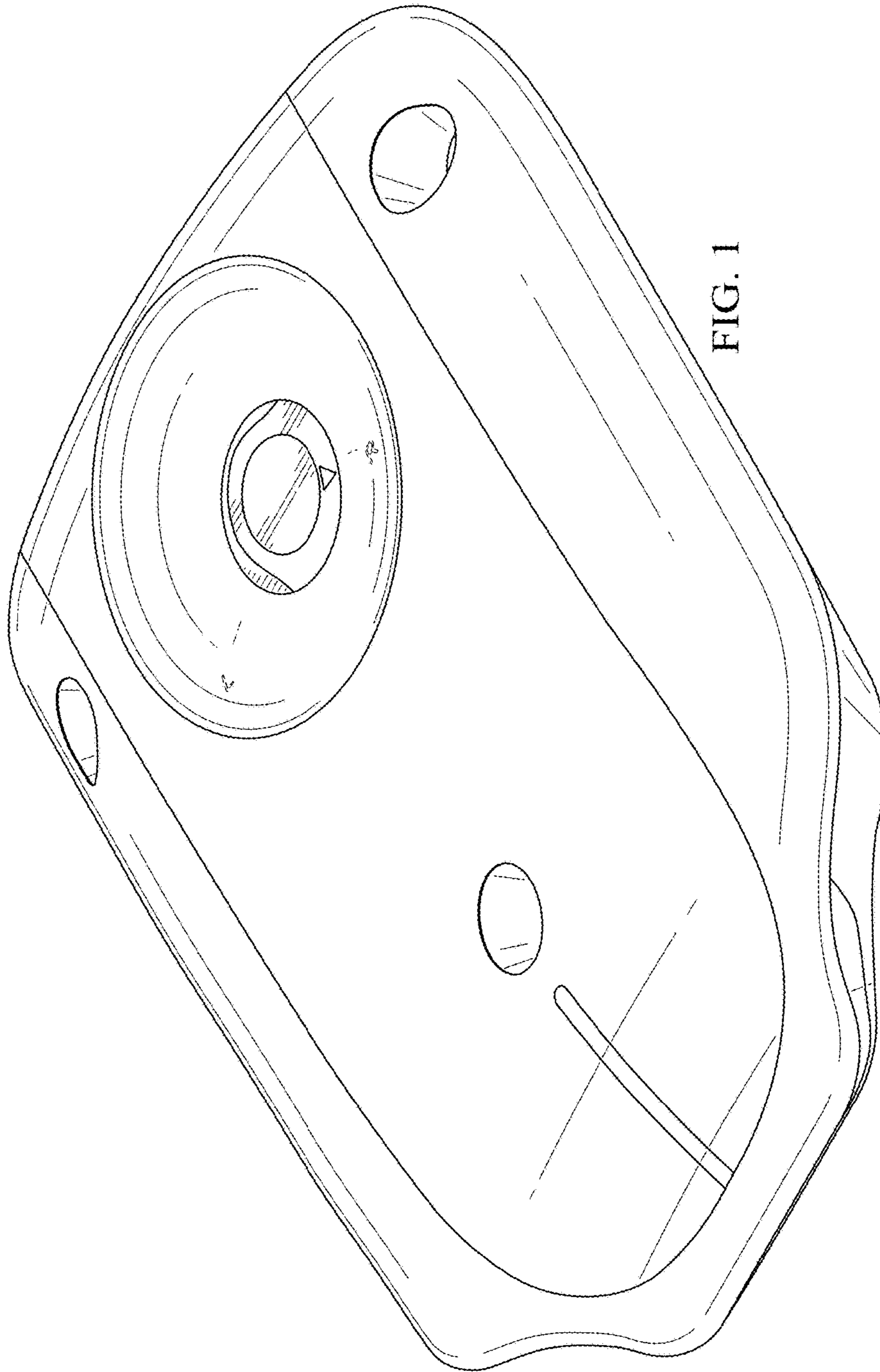


FIG. 1

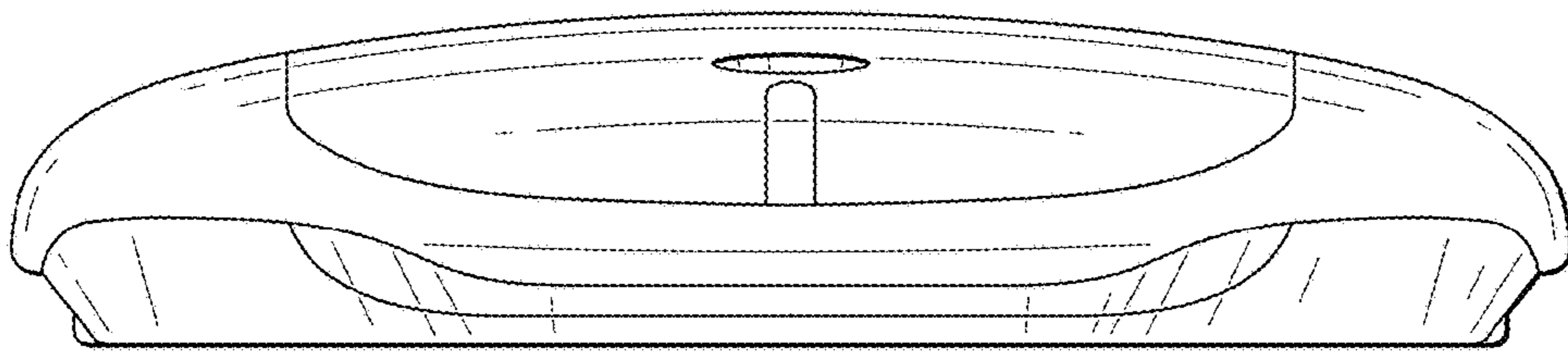


FIG. 2

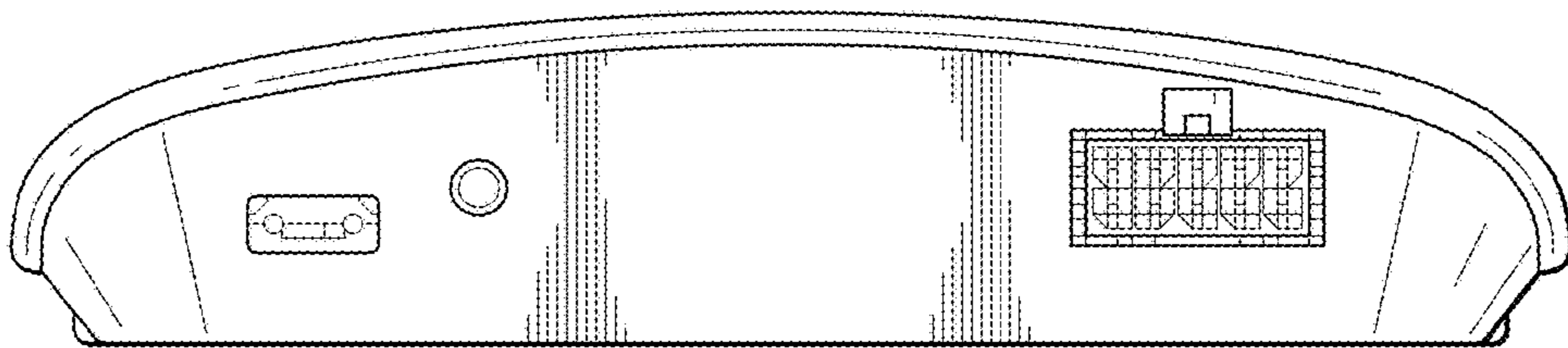


FIG. 3

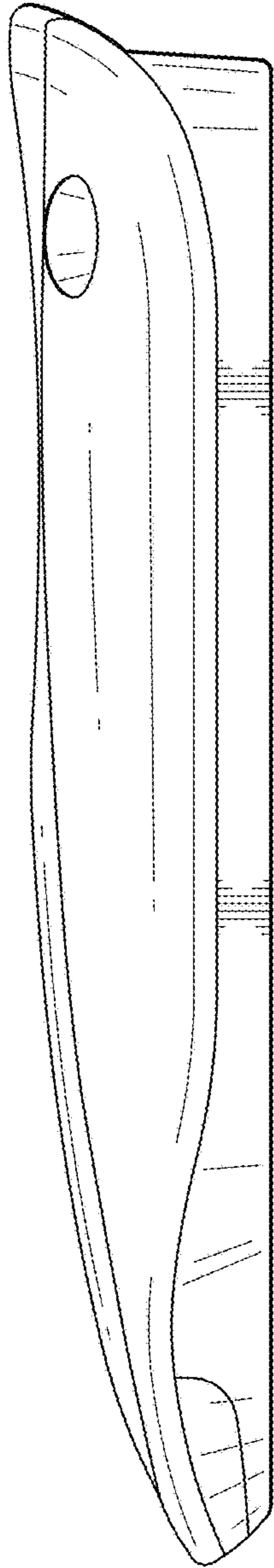


FIG. 4

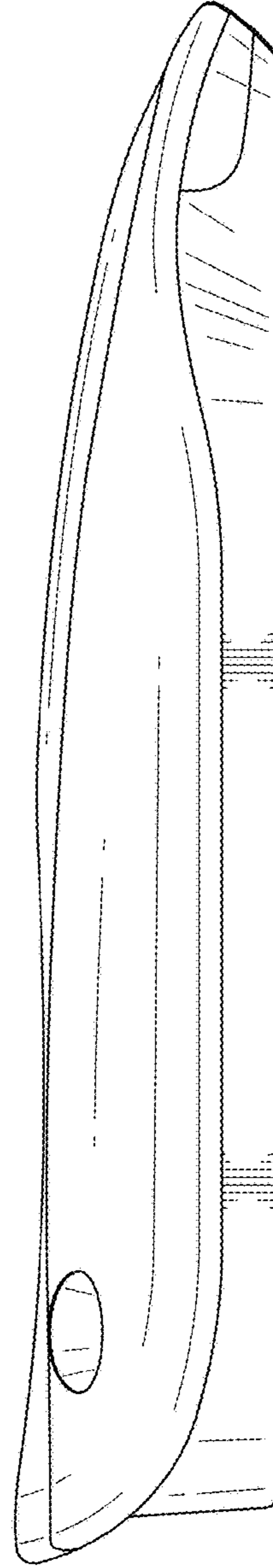


FIG. 5

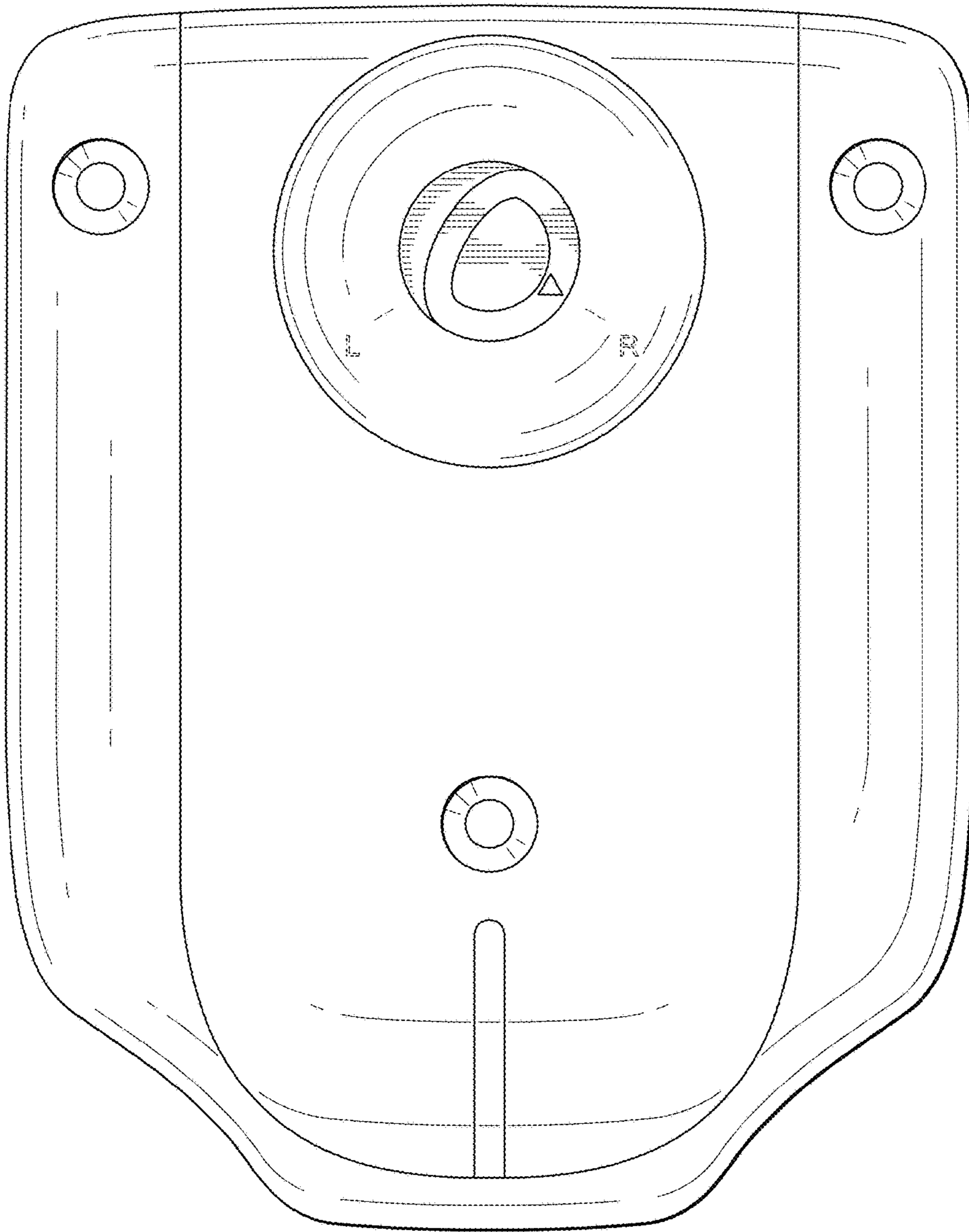


FIG. 6

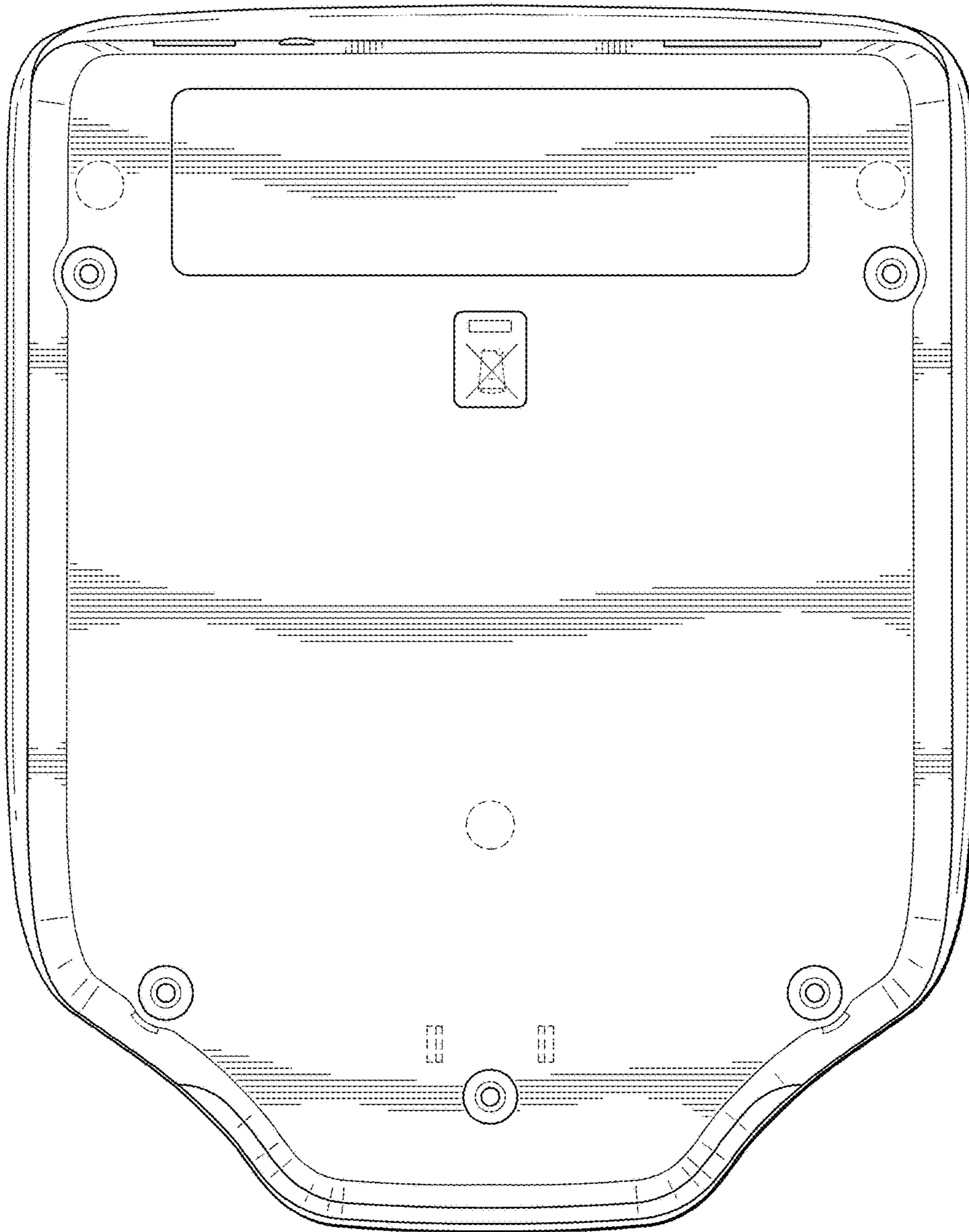


FIG. 7