



US00D858497S

(12) **United States Design Patent**
Laurans et al.

(10) **Patent No.:** **US D858,497 S**

(45) **Date of Patent:** **** Sep. 3, 2019**

(54) **BASE STATION HOUSING**

(71) Applicant: **SimpliSafe, Inc.**, Boston, MA (US)

(72) Inventors: **Chad Laurans**, Brookline, MA (US);
Melina Engel, Belmont, MA (US);
Yong Zhao, Medford, MA (US); **Jason Robinson**, Tewksbury, MA (US);
Gregory Wolos, Cambridge, MA (US);
Ian Schon, Brookline, MA (US); **Dirk Ahlgrim**, Boston, MA (US)

(73) Assignee: **SimpliSafe, Inc.**, Boston, MA (US)

(**) Term: **15 Years**

(21) Appl. No.: **29/629,728**

(22) Filed: **Dec. 15, 2017**

(51) **LOC (12) Cl.** **14-03**

(52) **U.S. Cl.**

USPC **D14/240**; D14/358; D14/496; D10/104.1

(58) **Field of Classification Search**

USPC D14/356, 357, 358, 432, 216, 240, 242,
D14/299, 125, 140, 140.1, 155, 168, 188,
D14/195, 300, 302, 314, 348, 351, 388,
D14/496, 142, 203.1, 204, 228, 230;
D10/104.1, 106.1, 106.3, 106.5, 106.6,
D10/116.1, 6.9, 121

CPC ... H04W 88/08; H04W 88/085; H04W 88/00;
H04W 88/005; H04W 88/02; H04W
88/12; H04W 88/14; H04W 88/16; H04W
88/18; H04W 4/00; H04M 2250/12;
H04B 1/38

See application file for complete search history.

(56) **References Cited**

U.S. PATENT DOCUMENTS

D211,137 S * 5/1968 Kahn D10/114.6
D497,318 S * 10/2004 Strand D10/104.1

D537,073 S *	2/2007	Peersman	D14/216
D543,458 S *	5/2007	Dittmer	D9/504
D548,084 S *	8/2007	Dittmer	D9/504
D567,090 S *	4/2008	Swint	D9/504
D616,425 S *	5/2010	Hsia	D14/240
D619,894 S *	7/2010	Ashiwa	D9/504
D651,900 S *	1/2012	Ashiwa	D9/504
D660,711 S *	5/2012	Watabe	D9/529
D662,122 S *	6/2012	Goodwin	D16/208
D689,846 S *	9/2013	Nylen	D14/216
D691,587 S *	10/2013	Ferber	D14/216
D696,761 S *	12/2013	Jorgensen	D23/366
D719,448 S *	12/2014	Pires	D9/504
D723,481 S *	3/2015	Park	D14/125
D723,514 S *	3/2015	Lukic	D14/216
D729,772 S *	5/2015	Ferber	D14/216
D731,465 S *	6/2015	Khubani	D14/216

(Continued)

Primary Examiner — Marie D. Fast Horse

(74) *Attorney, Agent, or Firm* — Wolf, Greenfield & Sacks, P.C.

(57) **CLAIM**

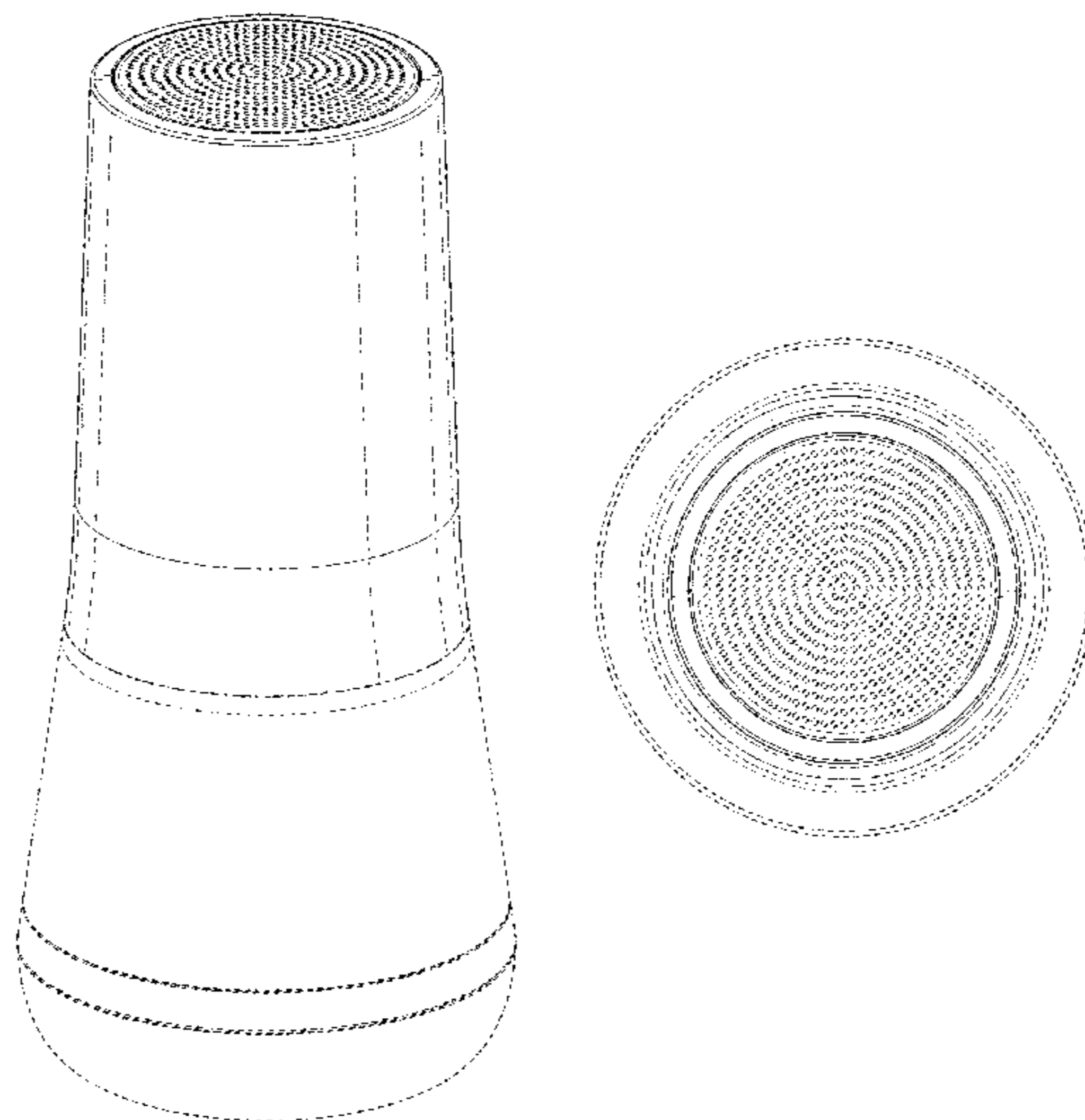
The ornamental design for a base station housing, as shown and described.

DESCRIPTION

FIG. 1 is an upper front right perspective view of a base station housing showing our new design;
FIG. 2 is an lower front right perspective view thereof;
FIG. 3 is a front view thereof;
FIG. 4 is a right side view thereof;
FIG. 5 is a left side view thereof;
FIG. 6 is a rear view thereof;
FIG. 7 is a top view thereof; and,
FIG. 8 is a bottom view thereof.

The broken lines consisting of unevenly sized dashes define the boundary of the claim, which extends to the boundary but does not include the boundary, while all other broken lines depict portions of the base station housing that form no part of the claimed design.

1 Claim, 8 Drawing Sheets



(56)

References Cited

U.S. PATENT DOCUMENTS

D732,653 S * 6/2015 Hsiao D23/366
 D734,679 S * 7/2015 Liu D10/53
 D735,039 S * 7/2015 Pires D9/504
 D735,163 S * 7/2015 Valeur D14/216
 D744,883 S * 12/2015 Roberts D10/104.1
 D747,417 S * 1/2016 Cho D21/324
 D752,023 S * 3/2016 Lee D14/216
 D767,535 S * 9/2016 Koo D14/214
 D770,534 S * 11/2016 Thissen D14/496
 D772,391 S * 11/2016 Zimmerli D23/366
 D781,798 S * 3/2017 Klepper D14/125
 D786,829 S * 5/2017 Wang D14/204
 D788,768 S * 6/2017 Hsieh D14/315
 D792,468 S * 7/2017 Langhammer D14/203.3
 D797,087 S * 9/2017 Burton D14/242
 D803,190 S * 11/2017 Lee D14/216
 D803,810 S * 11/2017 Lee D14/216
 D805,925 S * 12/2017 Wimberly D10/53
 D808,921 S * 1/2018 Nishizawa D14/188
 D808,927 S * 1/2018 Schaal D14/216
 D808,928 S * 1/2018 Schaal D14/216
 D809,493 S * 2/2018 Konotopskyi D14/242
 D810,280 S * 2/2018 Tharp D24/112

D811,367 S * 2/2018 Vaclavik D14/216
 D813,210 S * 3/2018 Benedetti D14/230
 D815,150 S * 4/2018 Hu D14/496
 D821,238 S * 6/2018 Elmieh D10/101
 D822,716 S * 7/2018 Mangum D14/496
 D828,323 S * 9/2018 Demin D14/216
 D828,527 S * 9/2018 Xu D23/356
 D829,689 S * 10/2018 Kim D14/216
 D830,869 S * 10/2018 Siminoff D10/106.1
 D831,595 S * 10/2018 Mittleman D13/183
 D831,624 S * 10/2018 Kwon D14/240
 D835,071 S * 12/2018 Channey D14/496
 D835,600 S * 12/2018 Weiss D14/204
 D836,086 S * 12/2018 Yu D14/216
 D838,273 S * 1/2019 Memke D14/426
 D838,690 S * 1/2019 Cheon D14/216
 D840,013 S * 2/2019 Zhang D23/366
 D840,436 S * 2/2019 Demin D14/496
 D843,418 S * 3/2019 Demin D14/496
 D843,419 S * 3/2019 Vaclavik D14/496
 D843,980 S * 3/2019 Yang D14/230
 D845,936 S * 4/2019 Benedetti D14/230
 D846,598 S * 4/2019 Wang D14/358
 D848,292 S * 5/2019 Laurans D10/106.6
 D848,394 S * 5/2019 Demin D14/204

* cited by examiner

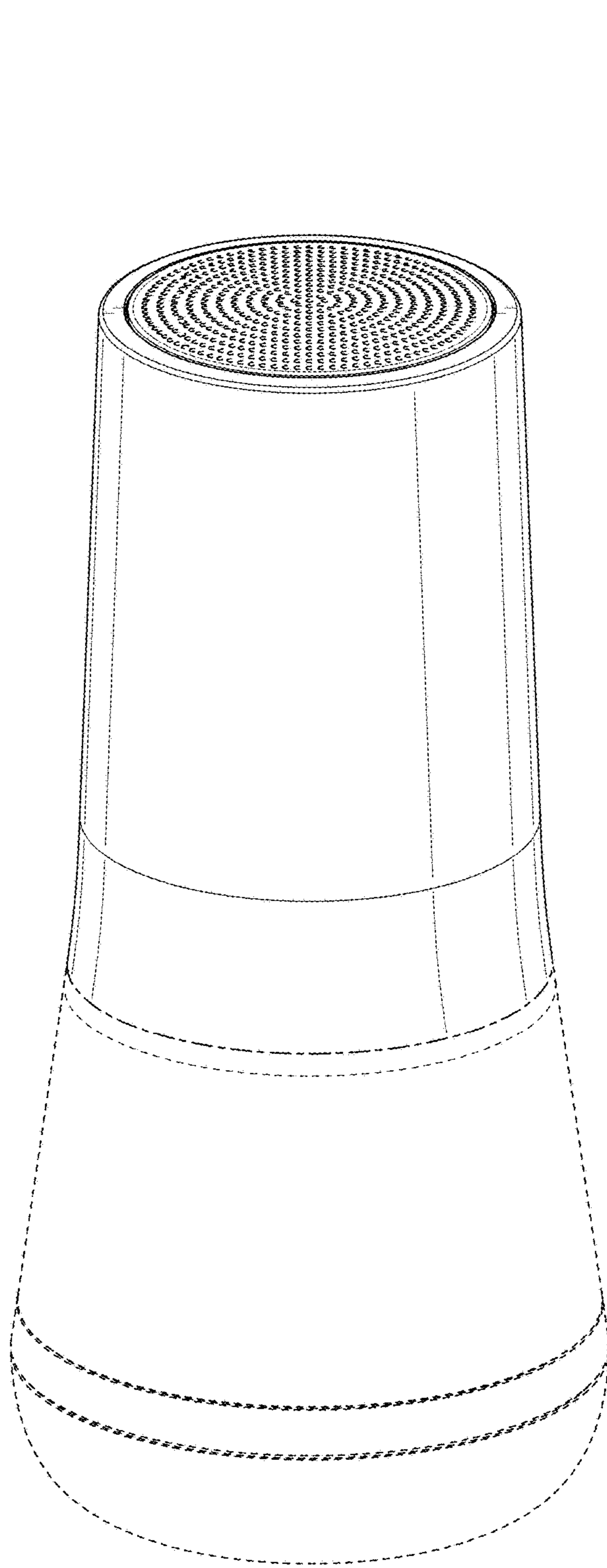


FIG. 1

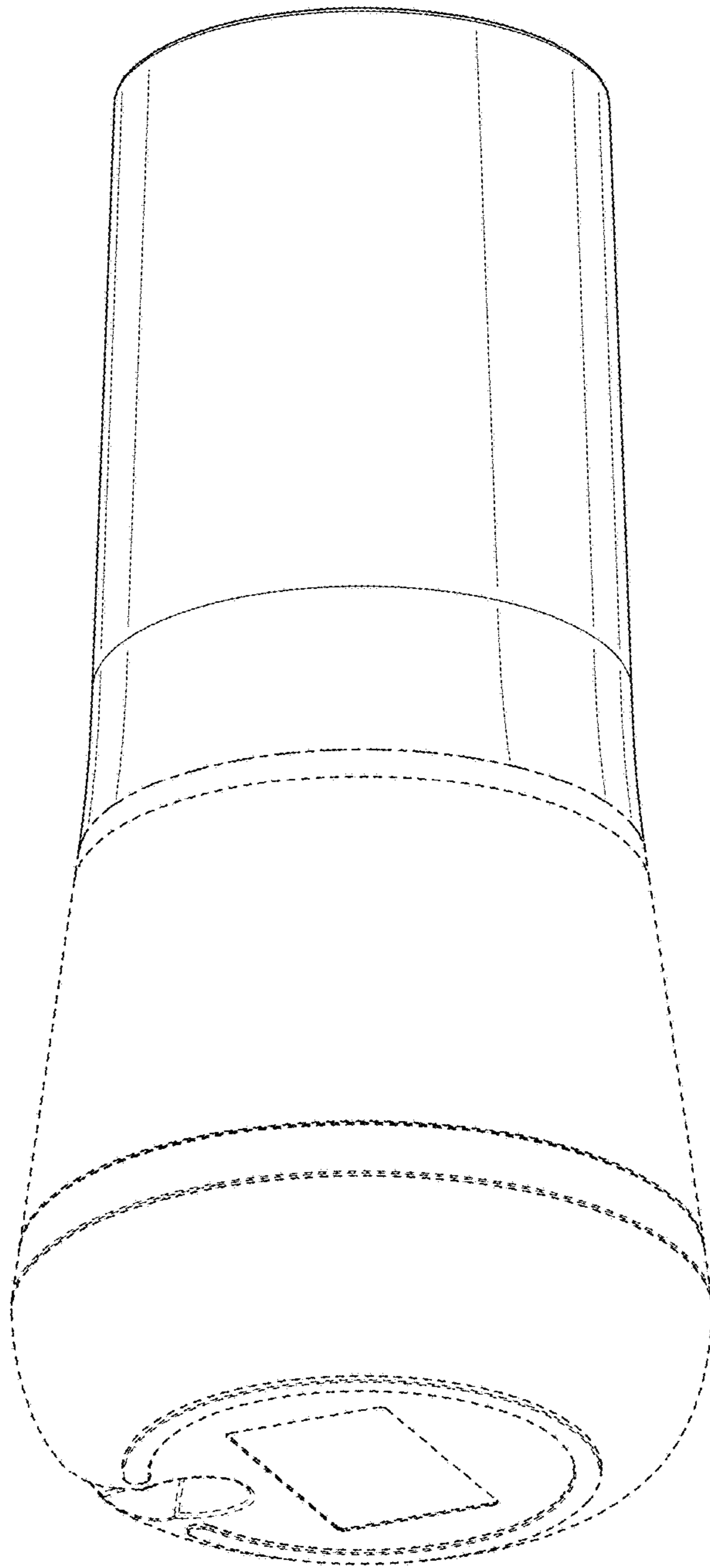


FIG. 2

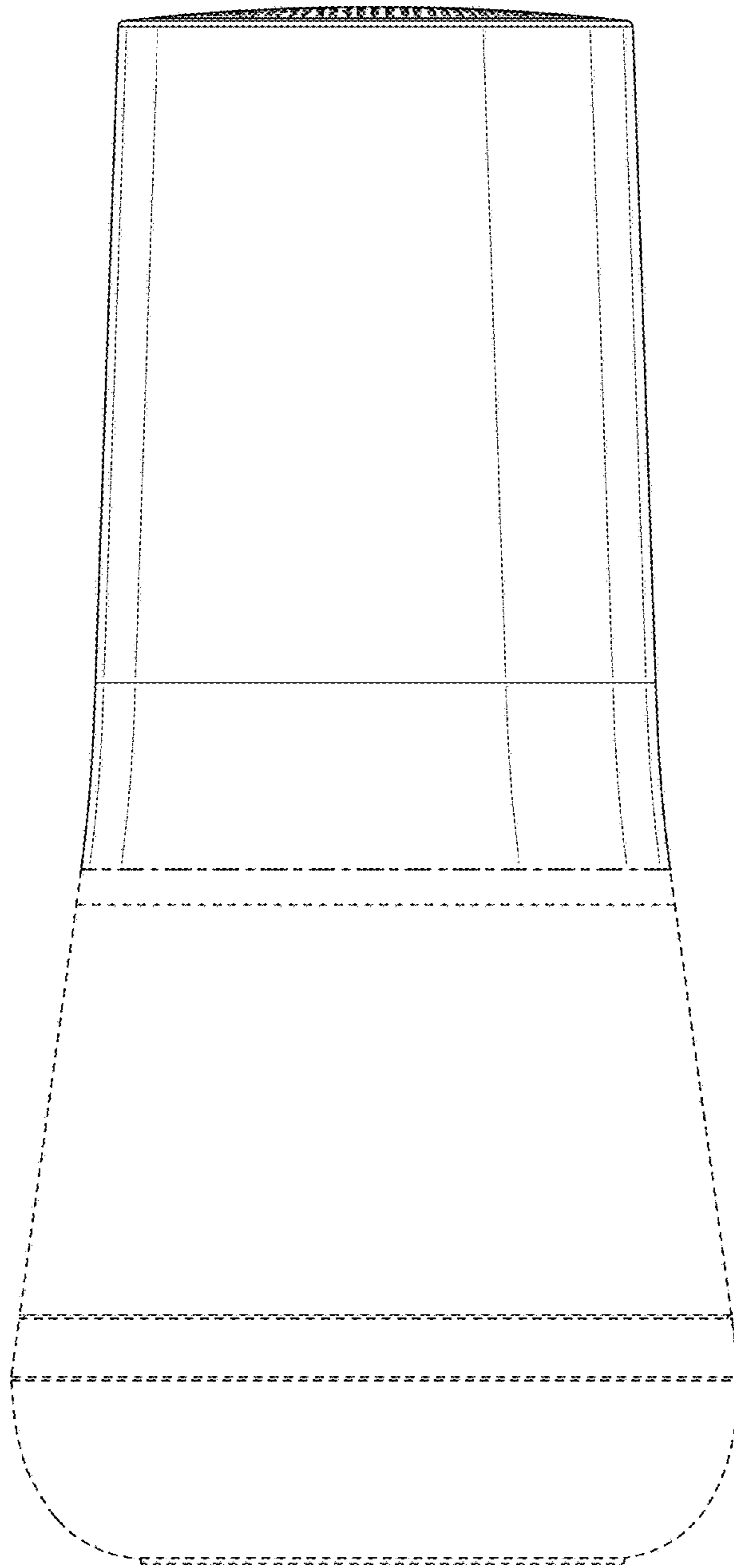


FIG. 3

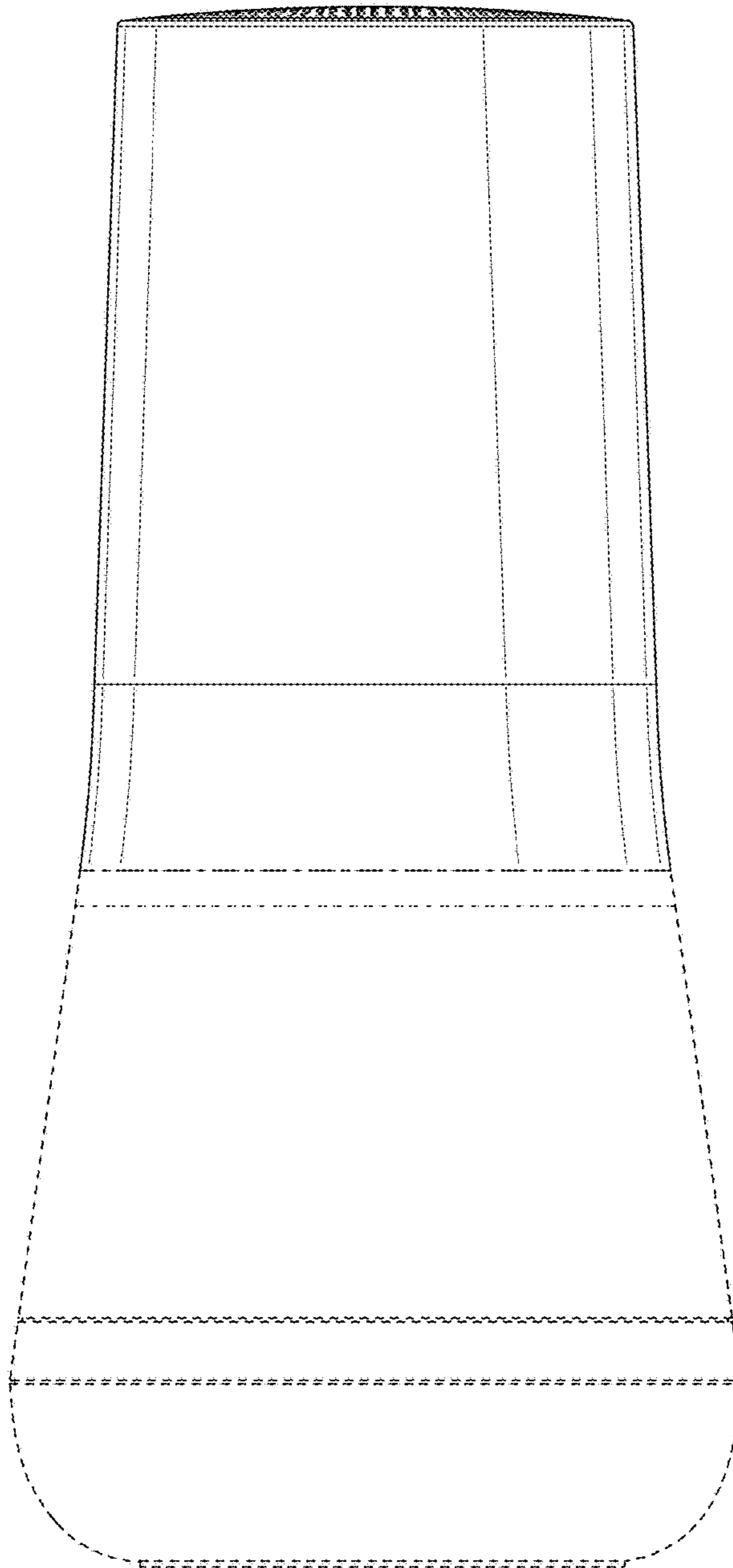


FIG. 4

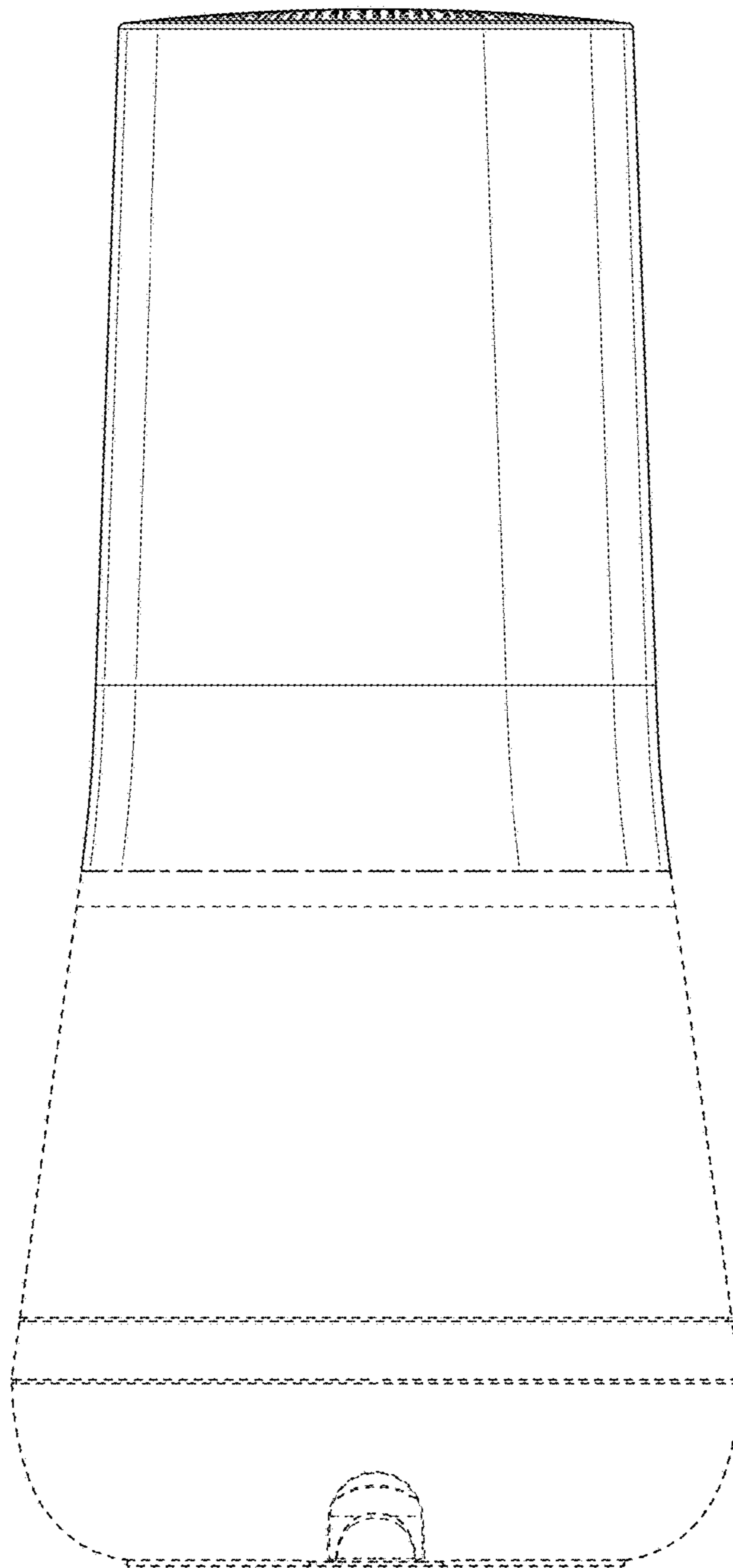


FIG. 5

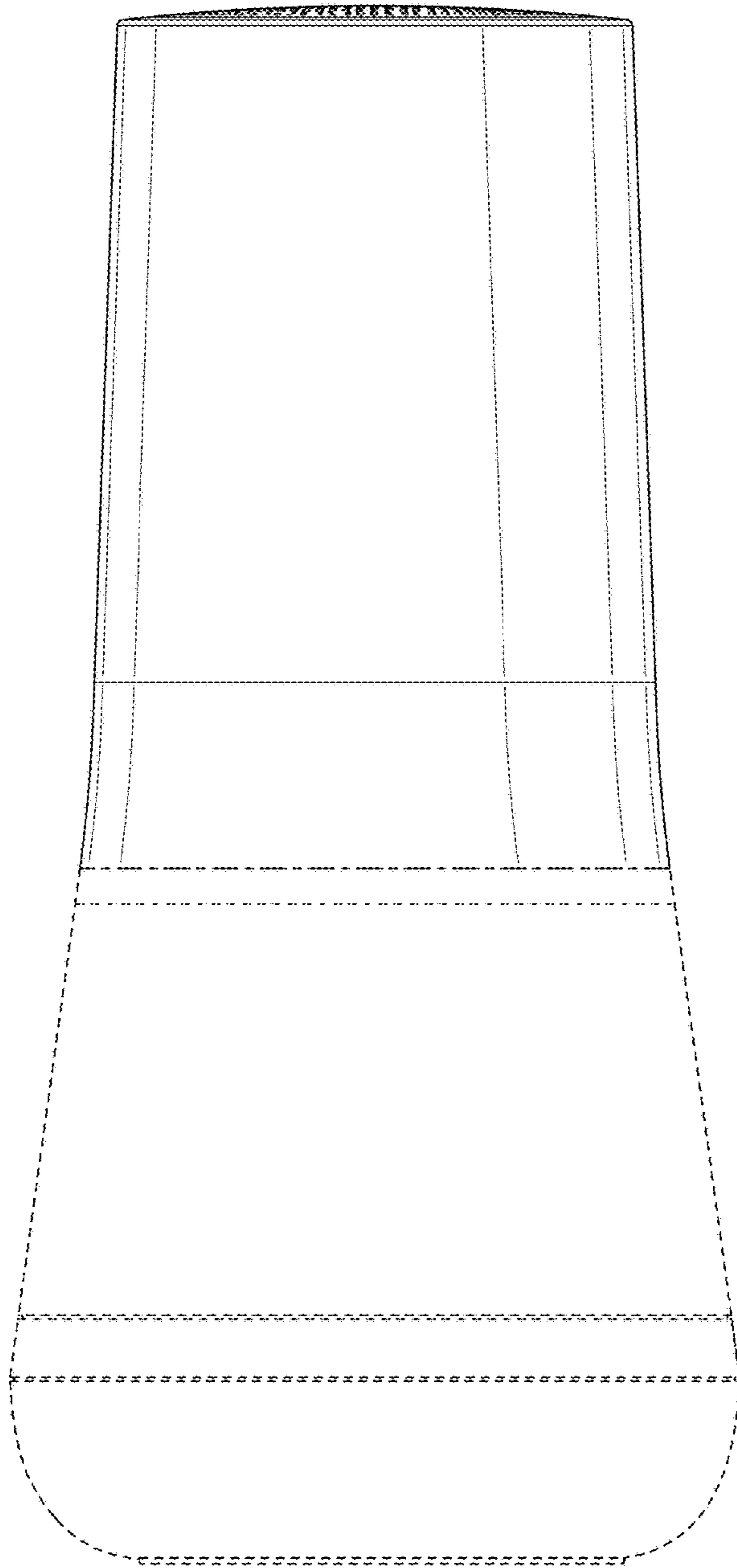


FIG. 6

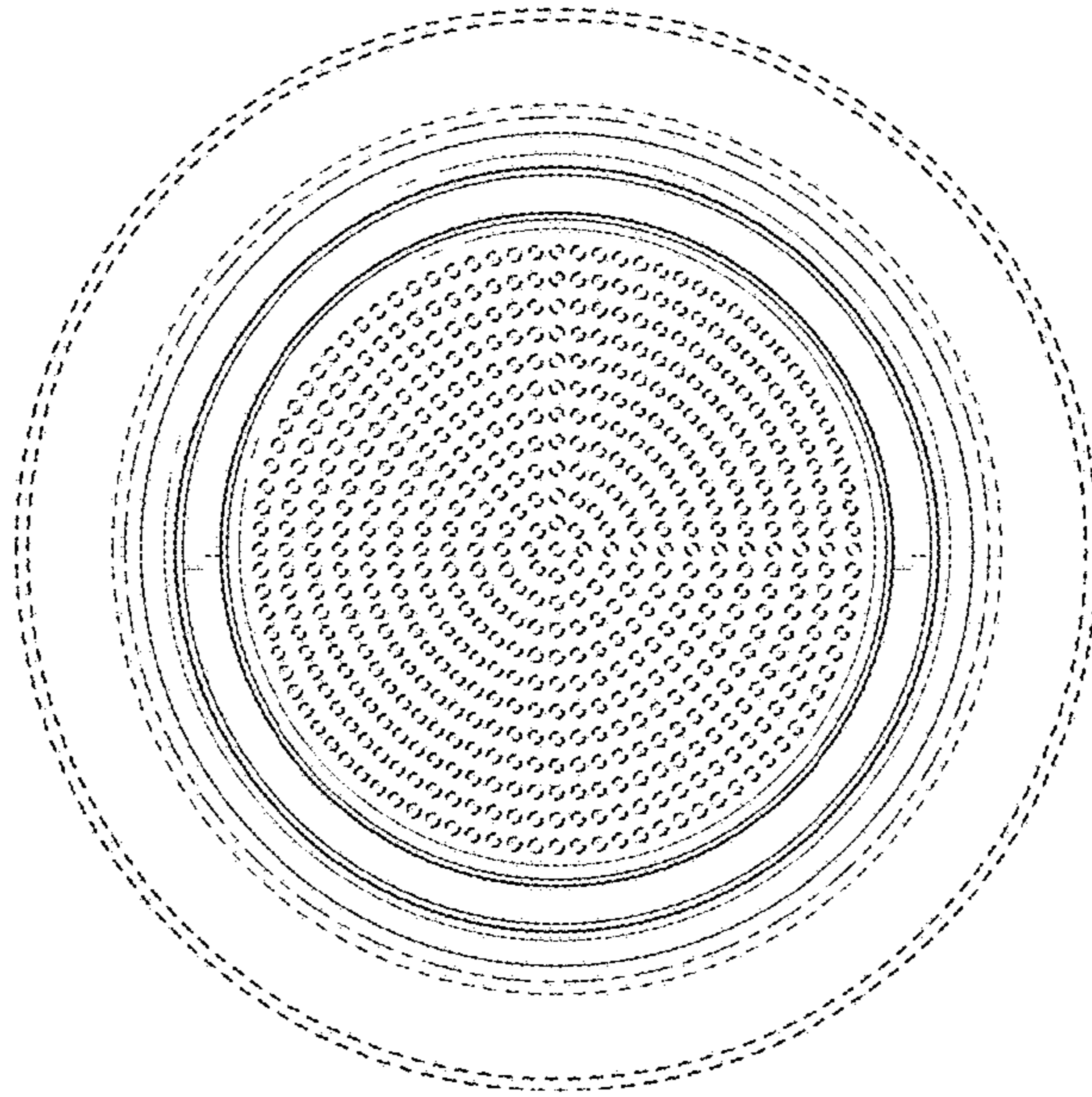


FIG. 7

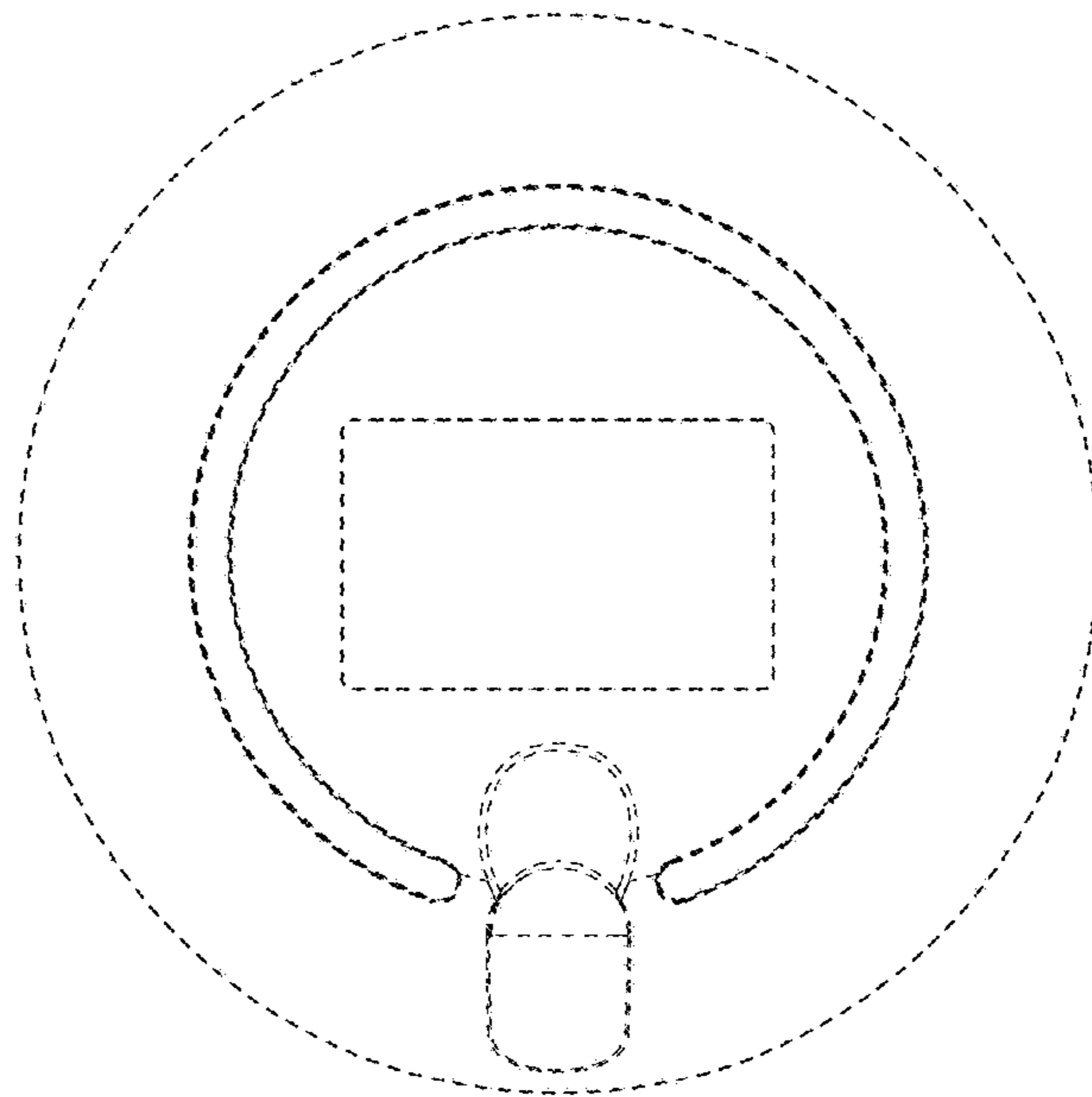


FIG. 8