

US00D858496S

(12) **United States Design Patent** (10) **Patent No.:** **US D858,496 S**  
**Wild** (45) **Date of Patent:** **\*\* Sep. 3, 2019**

(54) **NETWORKING DEVICE**

(71) Applicant: **TRIDONIC GMBH & CO. KG,**  
Dornbirn (AT)

(72) Inventor: **Emanuel Wild,** Lustenau (AT)

(73) Assignee: **TRIDONIC GMBH & CO. KG,**  
Dornbirn (AT)

(\*\*) Term: **15 Years**

(21) Appl. No.: **29/577,143**

(22) Filed: **Sep. 9, 2016**

(30) **Foreign Application Priority Data**

Mar. 11, 2016 (EM) ..... 003 024 181

(51) **LOC (12) Cl.** ..... **14-03**

(52) **U.S. Cl.**  
USPC ..... **D14/240**

(58) **Field of Classification Search**

USPC ..... D14/242, 240, 355, 357, 358, 125,  
D14/140-140.9, 155, 137, 139, 243, 239,  
D14/433, 314, 496, 188, 348, 351, 356  
CPC ..... H04L 12/00; H03K 17/00; H04W 88/00;  
H04W 88/005; H04W 88/02; H04W  
88/08; H04W 88/085; H04W 88/10;  
H04W 88/12; H04W 88/14; H04B 1/38  
See application file for complete search history.

(56) **References Cited**

**U.S. PATENT DOCUMENTS**

D281,493 S \* 11/1985 Prager ..... D13/162.1  
D304,929 S \* 12/1989 Bench ..... D13/126  
D346,378 S \* 4/1994 Smylie ..... D13/147  
D355,196 S \* 2/1995 Nakamura ..... D13/184  
D356,291 S \* 3/1995 Kawamura ..... D13/110  
D356,994 S \* 4/1995 Tamaki ..... D13/110  
D361,310 S \* 8/1995 Kawamura ..... D13/110  
D362,839 S \* 10/1995 Tamaki ..... D13/110  
D374,430 S \* 10/1996 Loh ..... D13/162

(Continued)

**FOREIGN PATENT DOCUMENTS**

JP D1545098 \* 3/2016

**OTHER PUBLICATIONS**

LampShopOnline. <URL: <https://www.lampshoponline.com/tridonic-pca-2x26-32-42-tc-eco.html>> visited Nov. 7, 2017. Tridonic high frequency dimmable ballast.\*

*Primary Examiner* — Susan Bennett Hattan

*Assistant Examiner* — Lauren D McVey

(74) *Attorney, Agent, or Firm* — Scully, Scott, Murphy & Presser, P.C.

(57) **CLAIM**

The ornamental design for a networking device, as shown and described.

**DESCRIPTION**

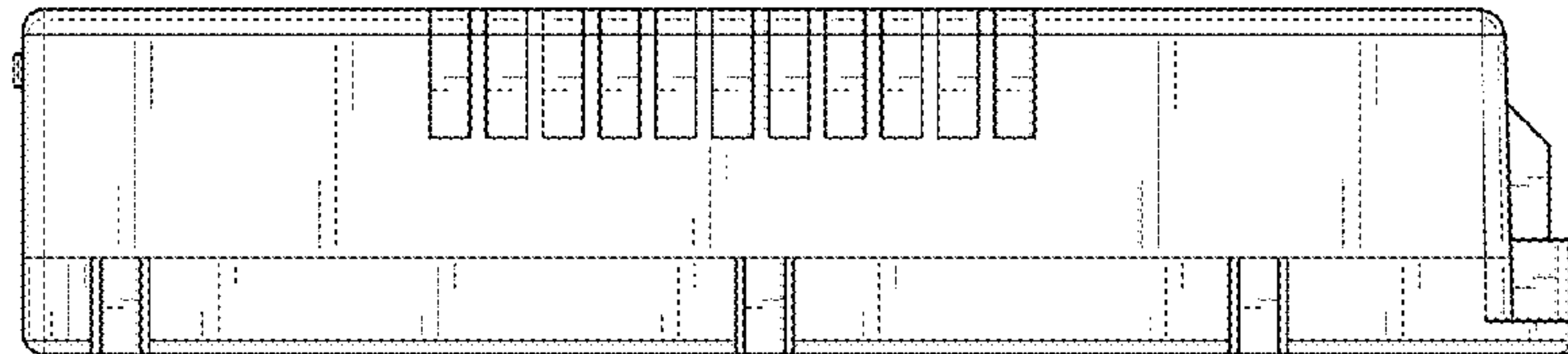
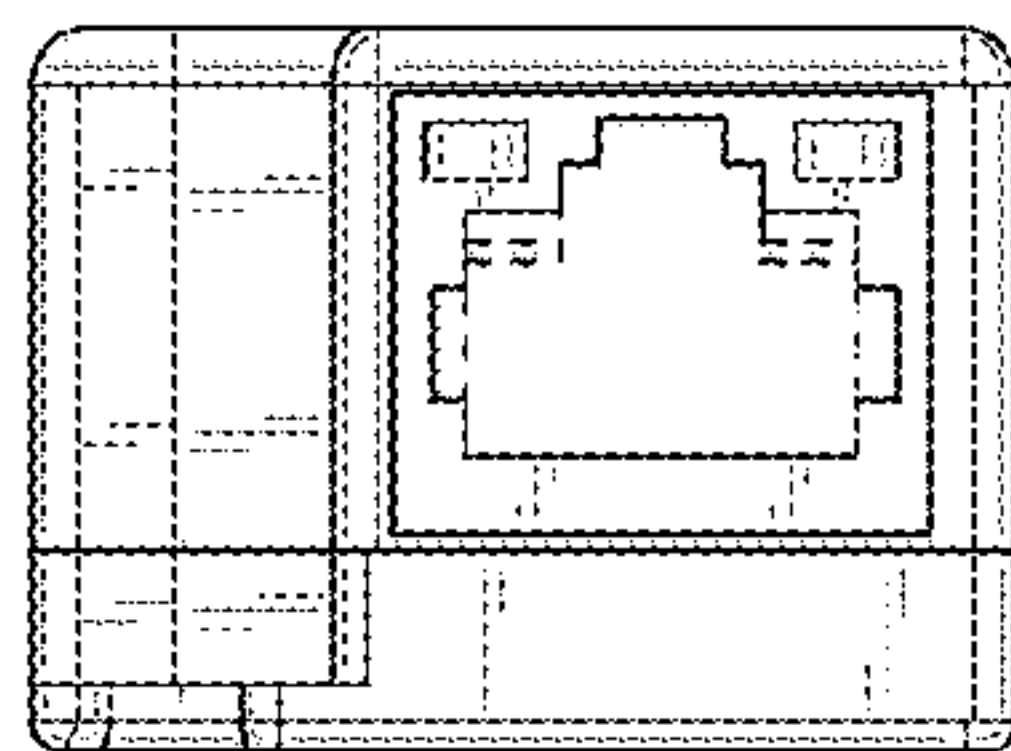
FIG. 1 is a rear perspective view of a networking device showing my design;  
FIG. 2 is a front perspective view thereof;  
FIG. 3 is a front elevation view thereof;  
FIG. 4 is a rear elevation view thereof;  
FIG. 5 is a top plan view thereof;  
FIG. 6 is a side elevation view thereof; and,  
FIG. 7 is an opposite side view thereof.

The bottom side of the article forms no part of the claimed design.

The wire frame lines shown throughout the views are intended to indicate surface contour.

The broken lines immediately adjacent the shaded areas represent the bounds of the claimed design while all other broken lines are directed to environment and are for illustrative purposes only; the broken lines form no part of the claimed design. The unshaded surface that directly adjoins the claimed solid line edge forms no part of the claimed design.

**1 Claim, 7 Drawing Sheets**



(56)

**References Cited**

U.S. PATENT DOCUMENTS

D604,241 S	*	11/2009	Haberle .....	D13/123
D660,828 S	*	5/2012	Petsch .....	D14/240
D738,869 S	*	9/2015	Groener .....	D14/240
D764,408 S	*	8/2016	Spiegel .....	D13/110

\* cited by examiner

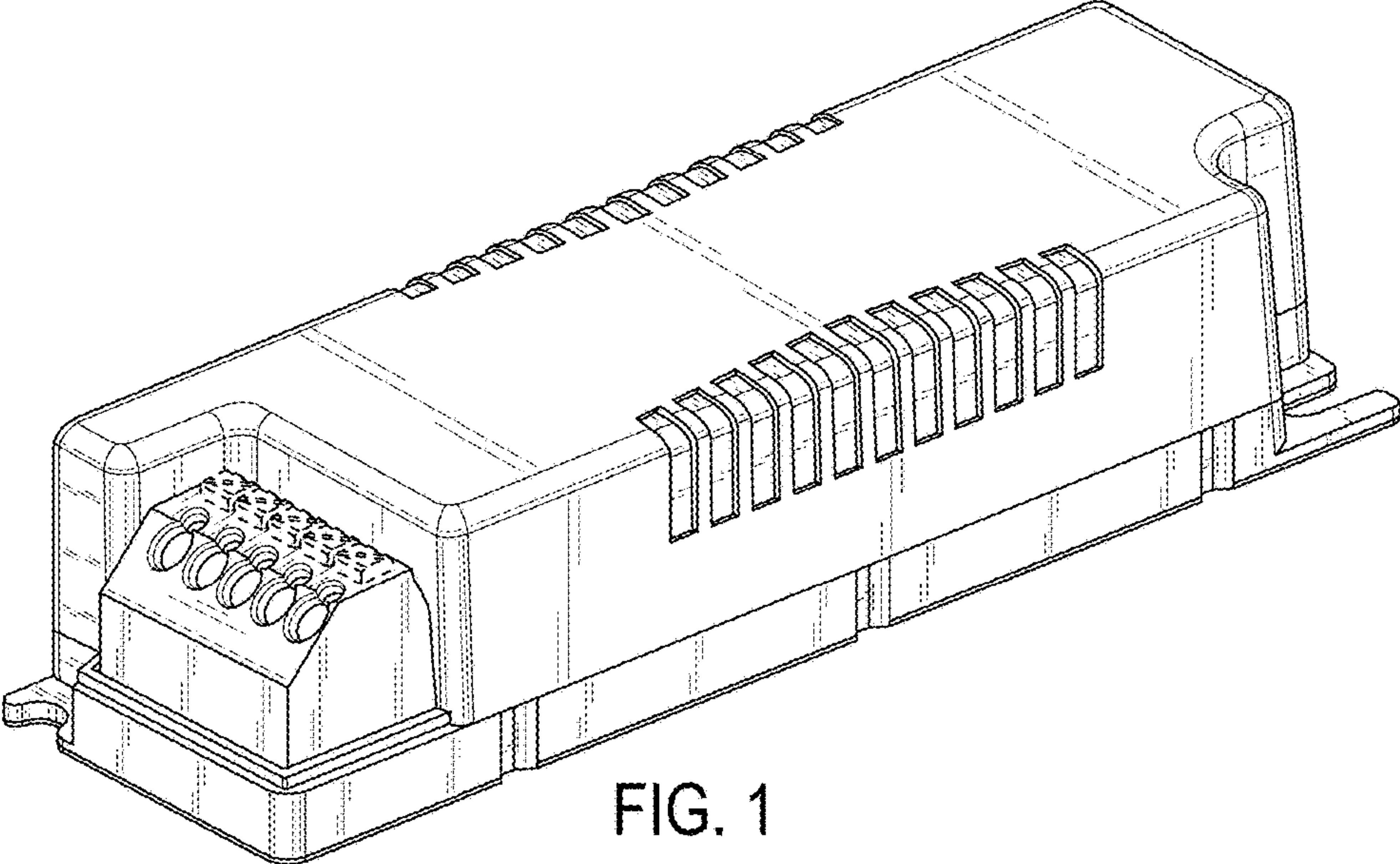


FIG. 1

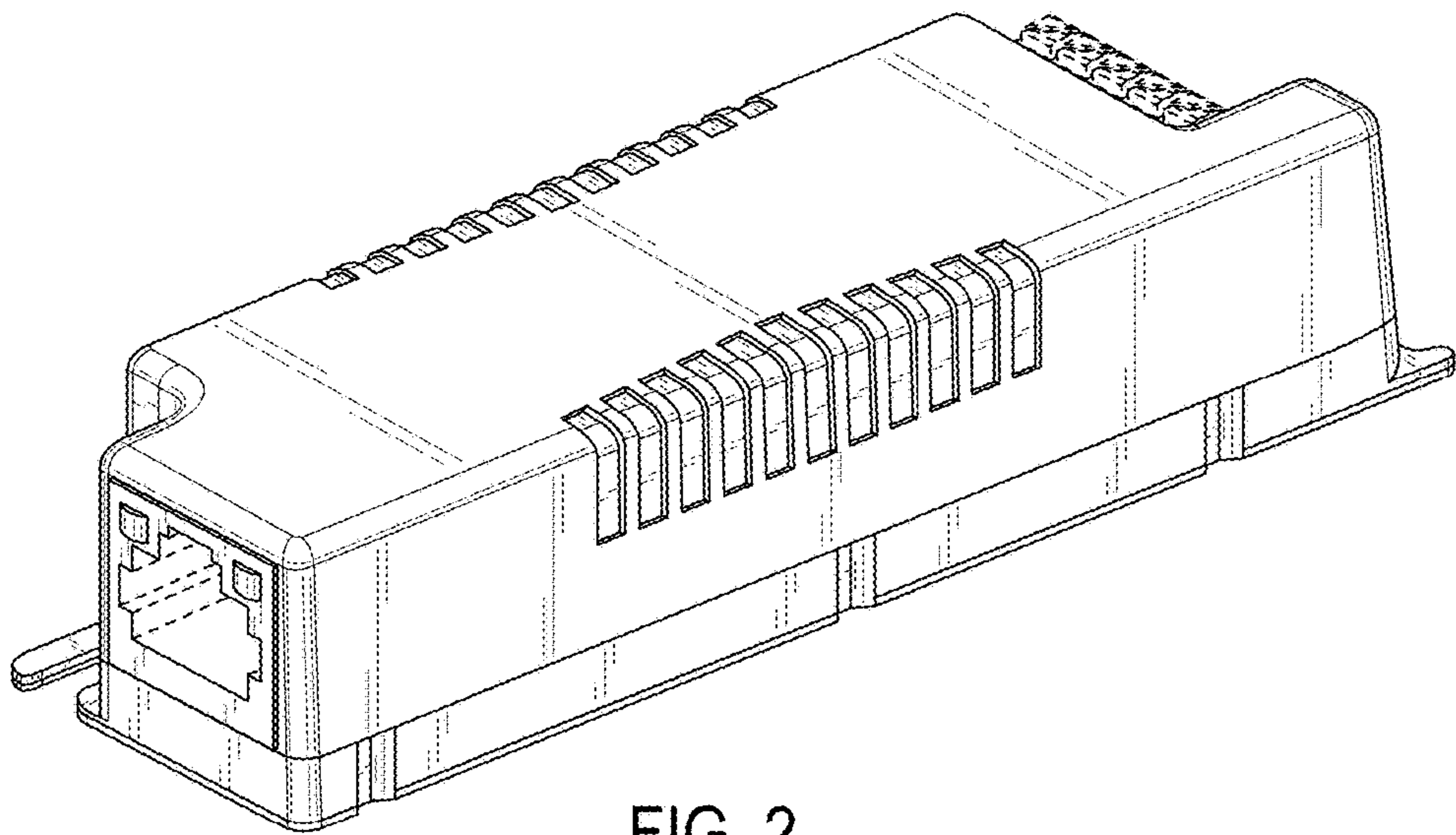


FIG. 2

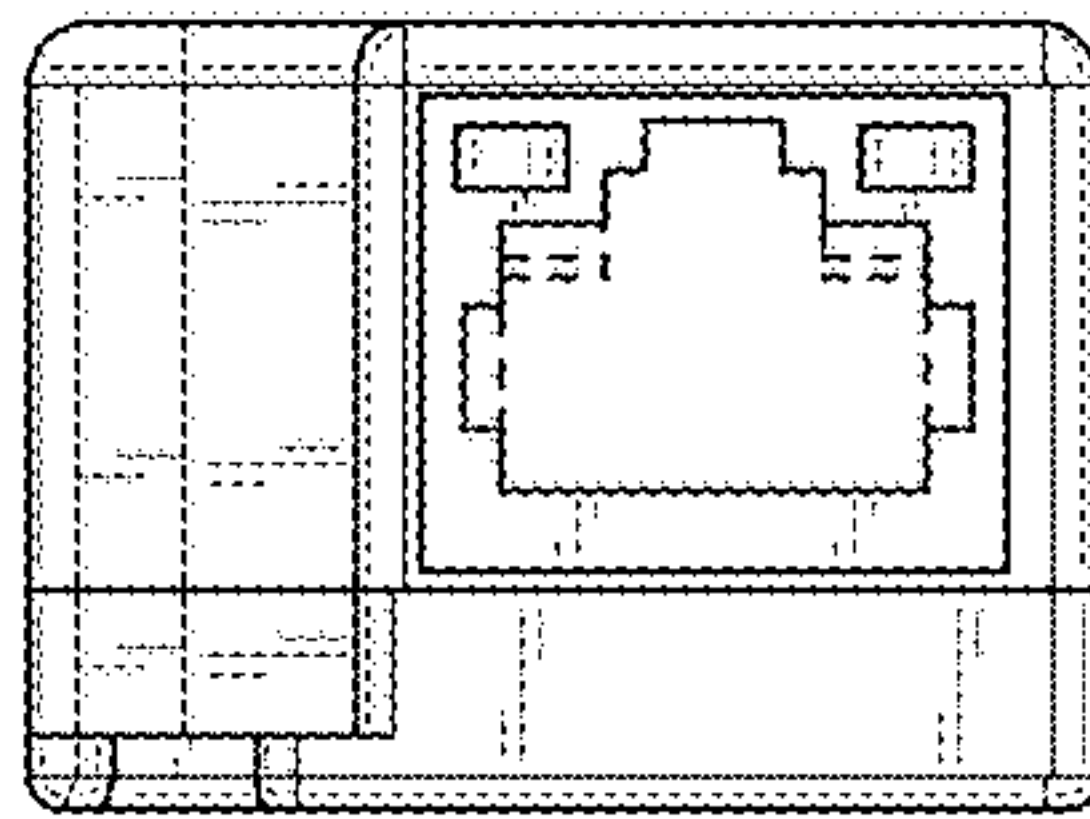


FIG. 3

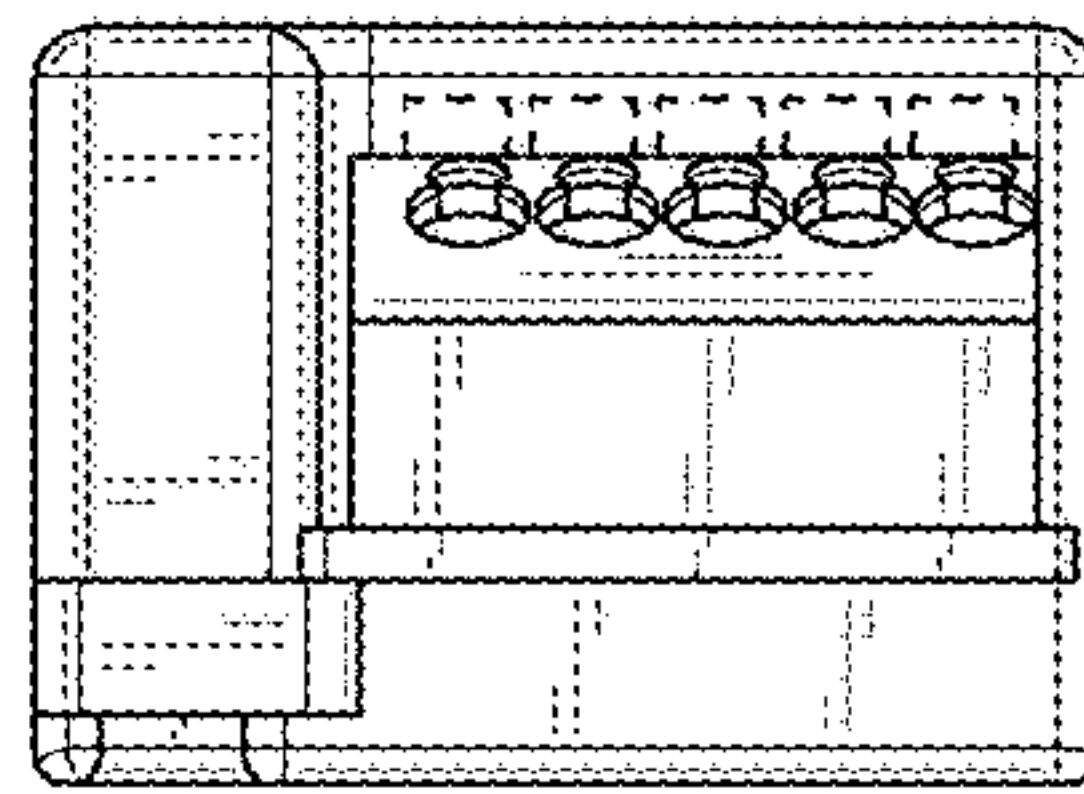


FIG. 4

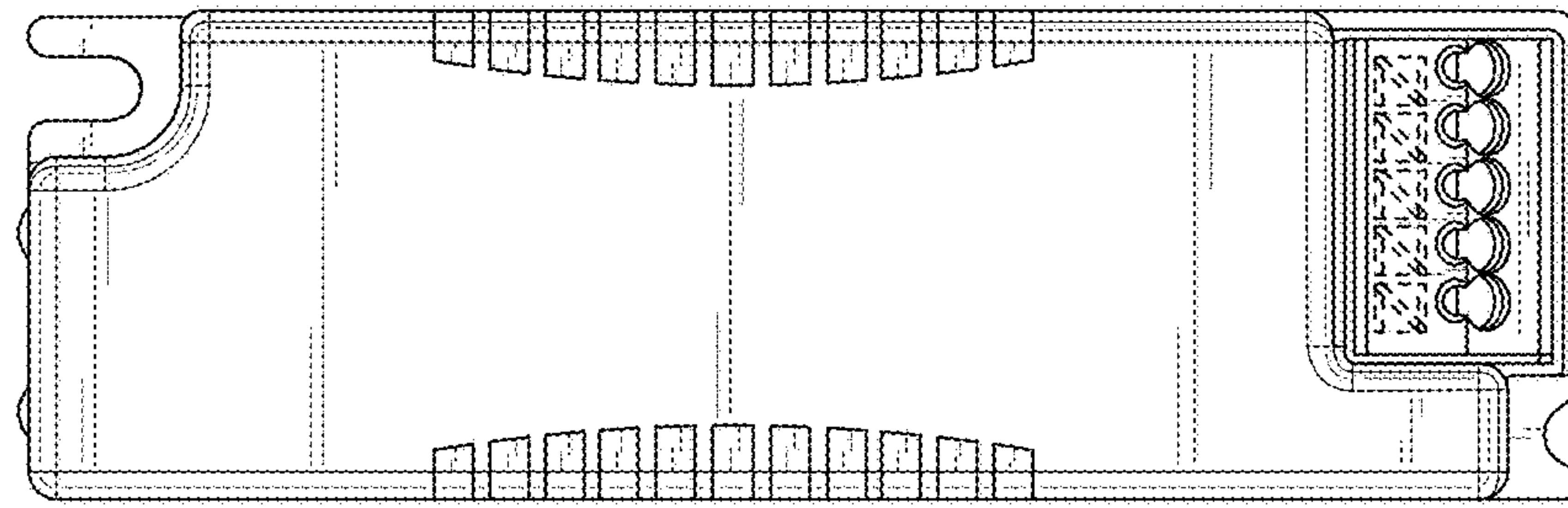


FIG. 5



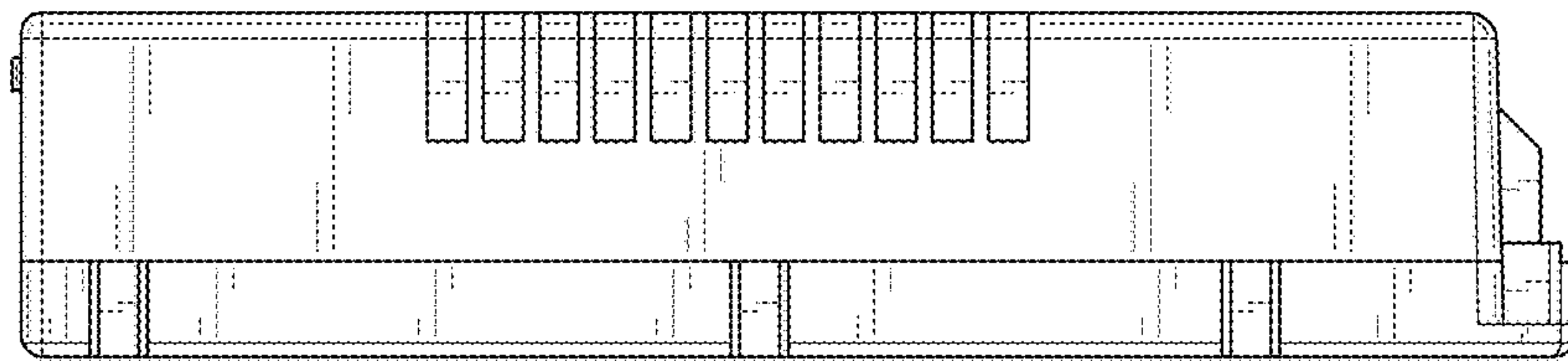


FIG. 6



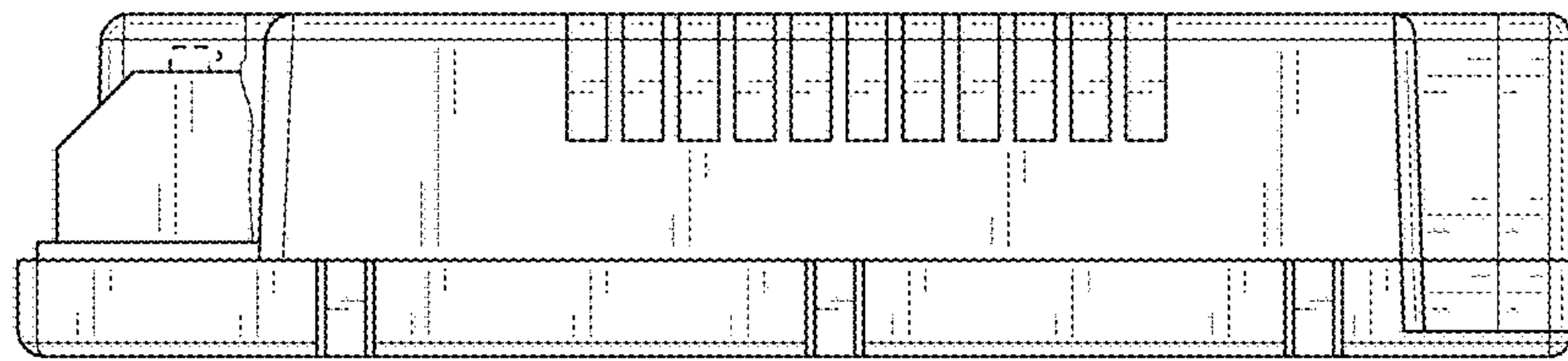


FIG. 7