



US00D858495S

(12) **United States Design Patent**
Wild

(10) **Patent No.:** **US D858,495 S**

(45) **Date of Patent:** **** Sep. 3, 2019**

(54) **NETWORKING DEVICE**

(71) Applicant: **TRIDONIC GMBH & CO. KG,**
Dornbirn (AT)

(72) Inventor: **Emanuel Wild,** Lustenau (AT)

(73) Assignee: **TRIDONIC GMBH & CO. KG,**
Dornbirn (AT)

(**) Term: **15 Years**

(21) Appl. No.: **29/577,141**

(22) Filed: **Sep. 9, 2016**

(30) **Foreign Application Priority Data**

Mar. 11, 2016 (EM) 003 024 181

(51) **LOC (12) Cl.** **14-03**

(52) **U.S. Cl.**
USPC **D14/240**

(58) **Field of Classification Search**

USPC D14/242, 240, 355, 357, 358, 125,
D14/140-140.9, 155, 137, 139, 243, 239,
D14/433, 314, 496, 188, 348, 351, 356
CPC H04L 12/00; H03K 17/00; H04W 88/00;
H04W 88/005; H04W 88/02; H04W
88/08; H04W 88/085; H04W 88/10;
H04W 88/12; H04W 88/14; H04B 1/38
See application file for complete search history.

(56) **References Cited**

U.S. PATENT DOCUMENTS

D281,493 S * 11/1985 Prager D13/162.1
D304,929 S * 12/1989 Bench D13/126
D346,378 S * 4/1994 Smylie D13/147
D355,196 S * 2/1995 Nakamura D13/184
D356,291 S * 3/1995 Kawamura D13/110
D356,994 S * 4/1995 Tamaki D13/110
D361,310 S * 8/1995 Kawamura D13/110
D362,839 S * 10/1995 Tamaki D13/110
D374,430 S * 10/1996 Loh D13/162

D604,241 S * 11/2009 Haberle D13/123
D660,828 S * 5/2012 Petsch D14/240
D738,869 S * 9/2015 Groener D14/240

(Continued)

FOREIGN PATENT DOCUMENTS

JP D1545098 * 3/2016

OTHER PUBLICATIONS

LampShopOnline. <URL: <https://www.lampshoponline.com/tridonic-pca-2x26-32-42-tc-eco.html>> visited Nov. 7, 2017. Tridonic high frequency dimmable ballast.*

Primary Examiner — Susan Bennett Hattan

Assistant Examiner — Lauren D McVey

(74) *Attorney, Agent, or Firm* — Scully, Scott, Murphy & Presser, P.C.

(57) **CLAIM**

The ornamental design for a networking device, as shown and described.

DESCRIPTION

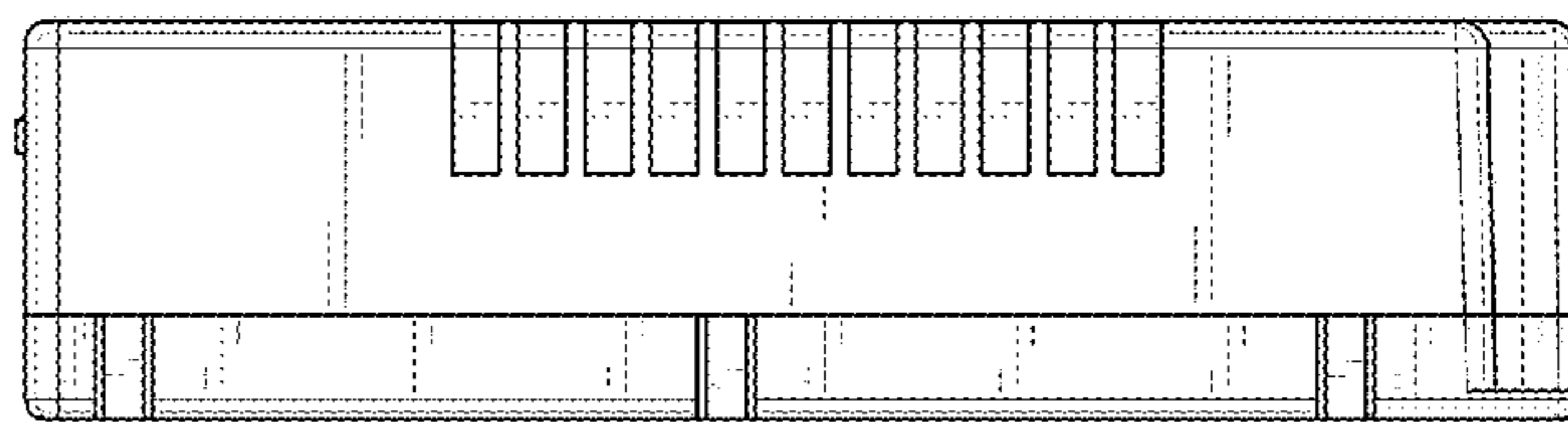
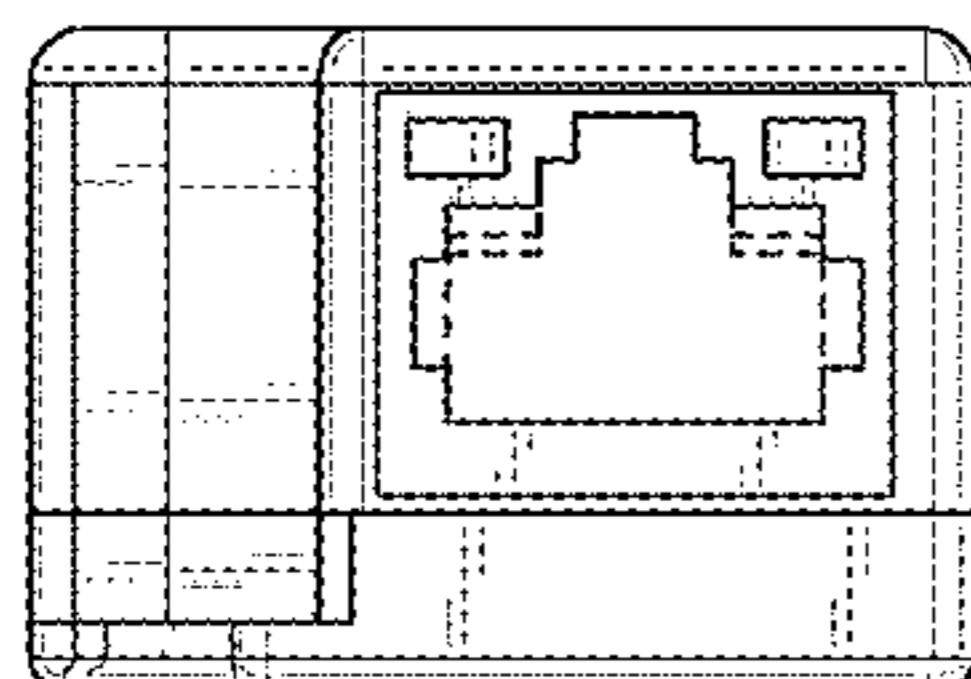
FIG. 1 is a rear perspective view of a networking device showing my new design;
FIG. 2 is a front perspective view thereof;
FIG. 3 is a front elevation view thereof;
FIG. 4 is a rear elevation view thereof;
FIG. 5 is a top plan view thereof;
FIG. 6 is a side elevation view thereof; and,
FIG. 7 is an opposite side view thereof.

The wire frame lines shown throughout the views are intended to indicate surface contour.

The broken lines are included for the purpose of illustrating portions of the article that form no part of the claimed design.

The bottom side of the article forms no part of the claimed design.

1 Claim, 7 Drawing Sheets



(56)

References Cited

U.S. PATENT DOCUMENTS

D764,408 S * 8/2016 Spiegel D13/110
D846,538 S * 4/2019 Wild D14/240

* cited by examiner

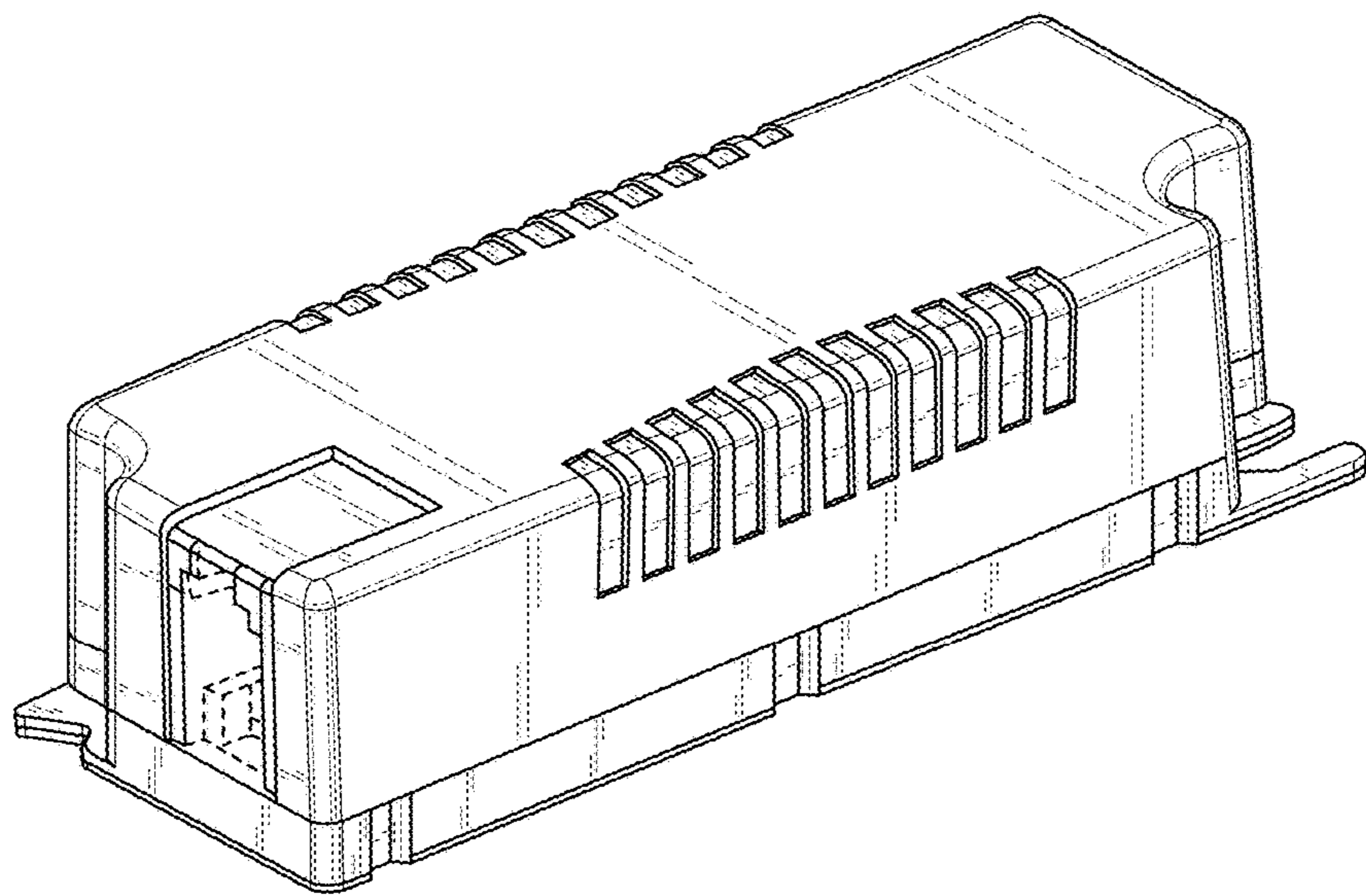


FIG. 1

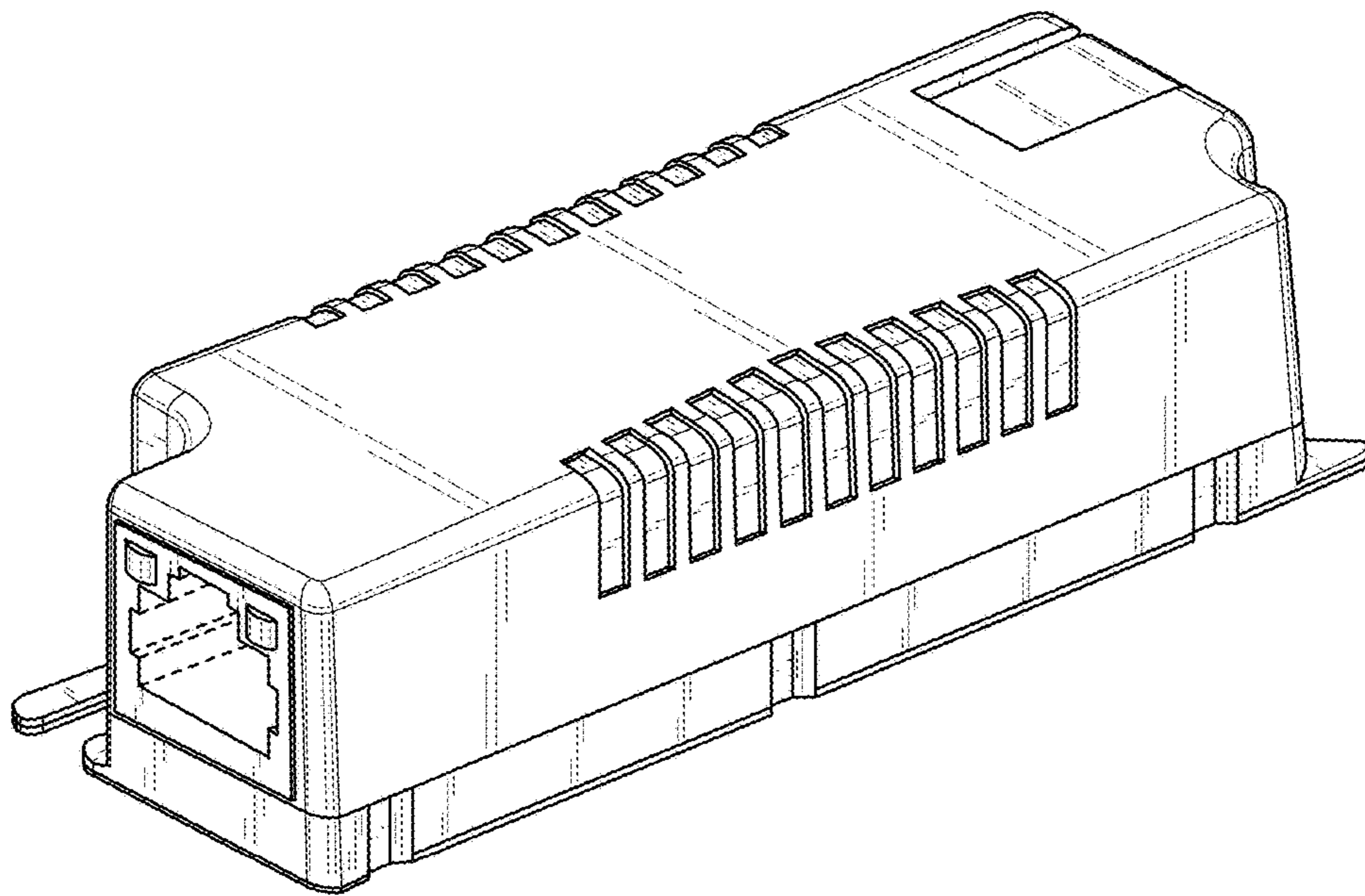


FIG. 2

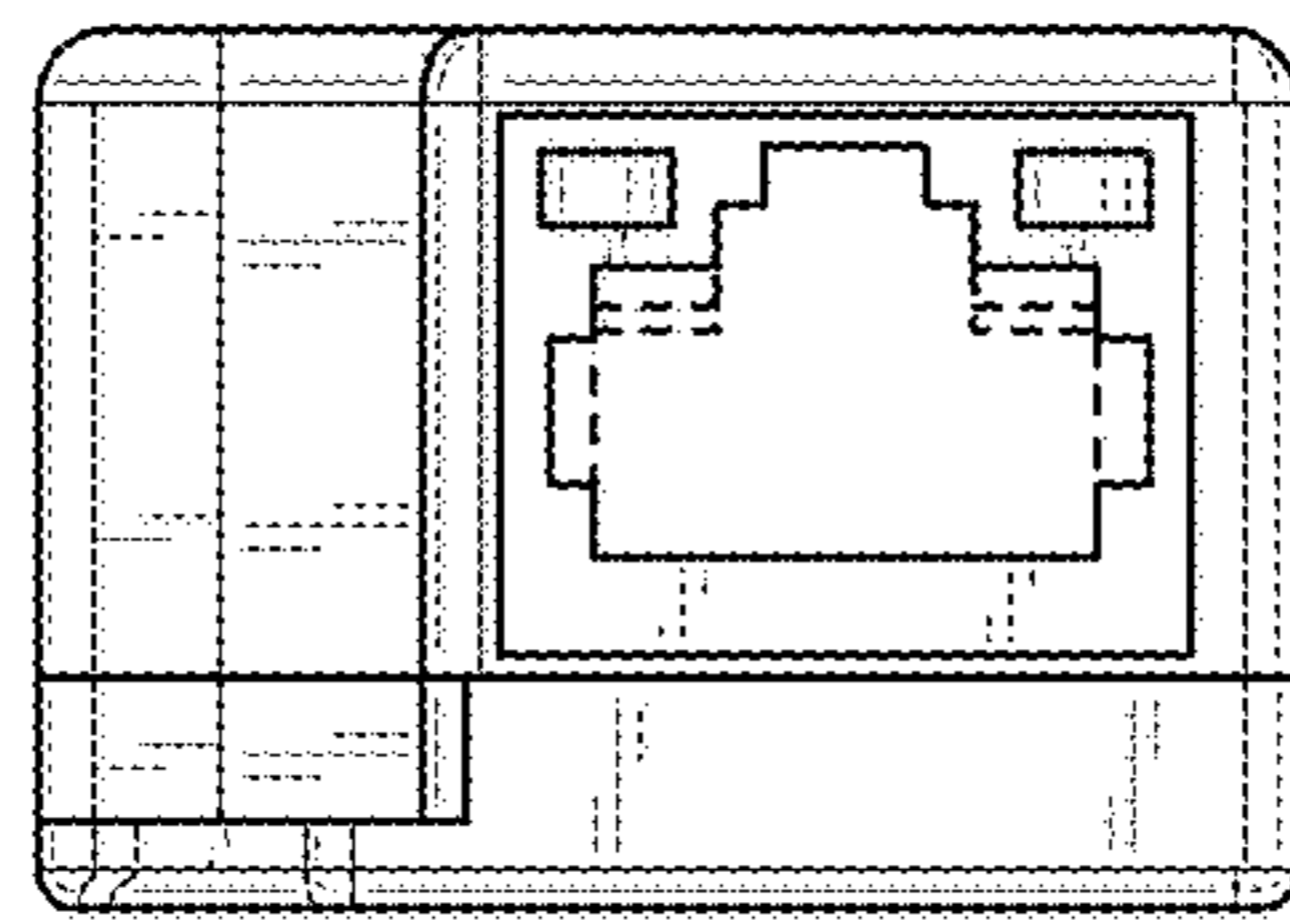


FIG. 3

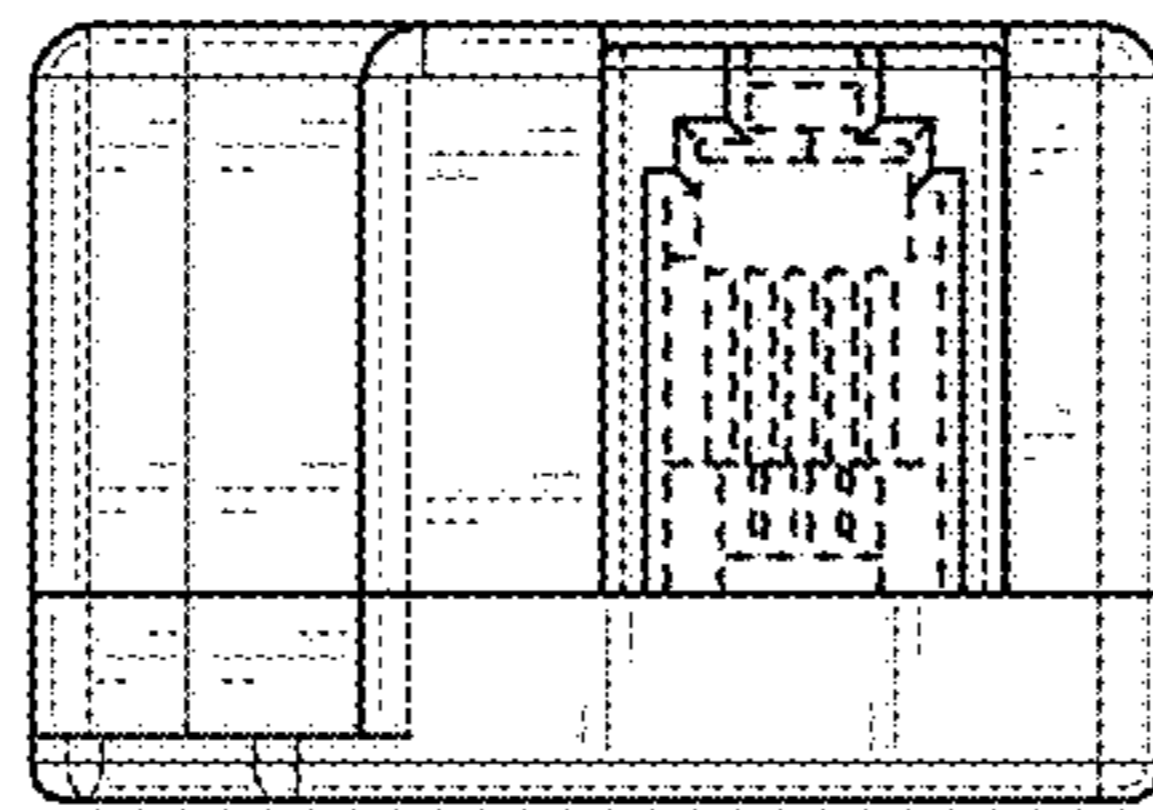


FIG. 4

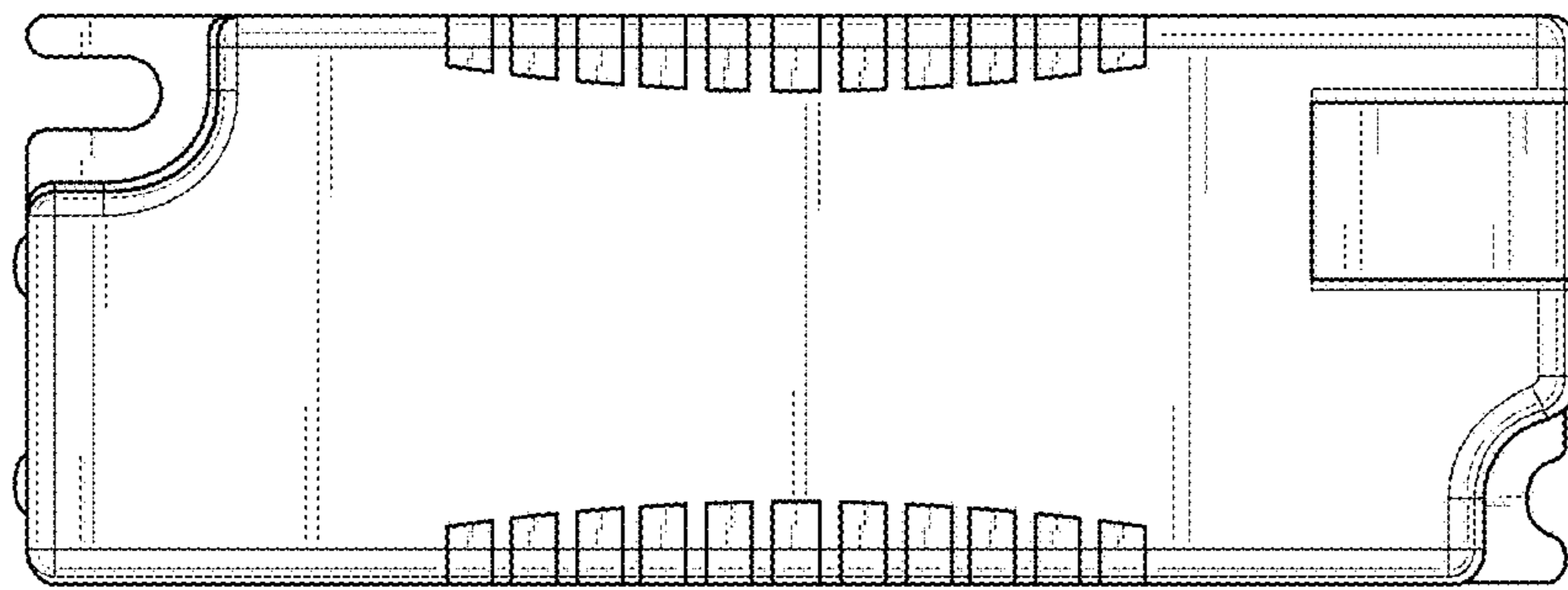


FIG. 5

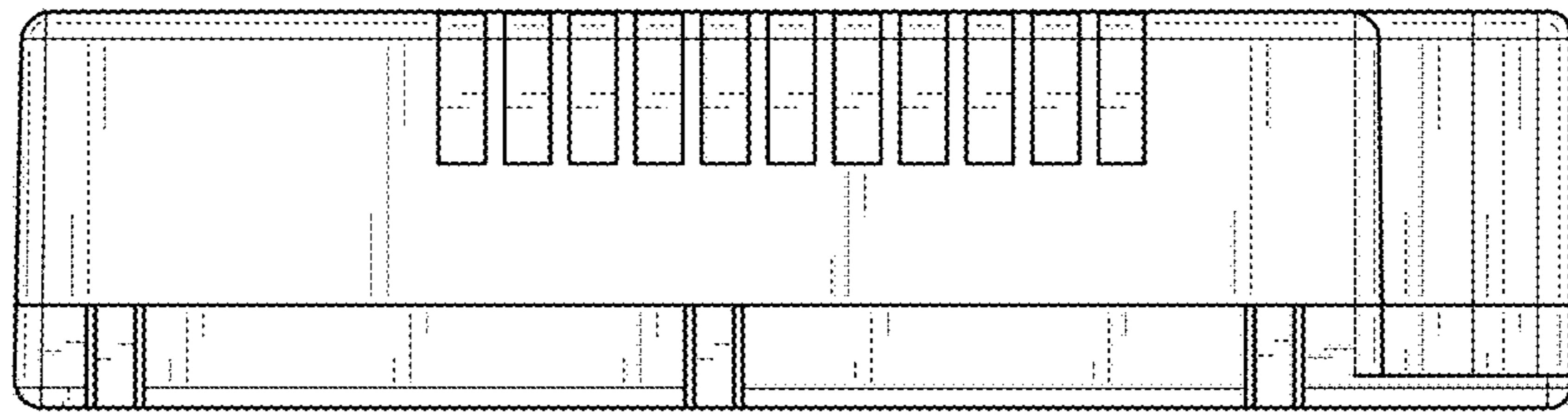


FIG. 6

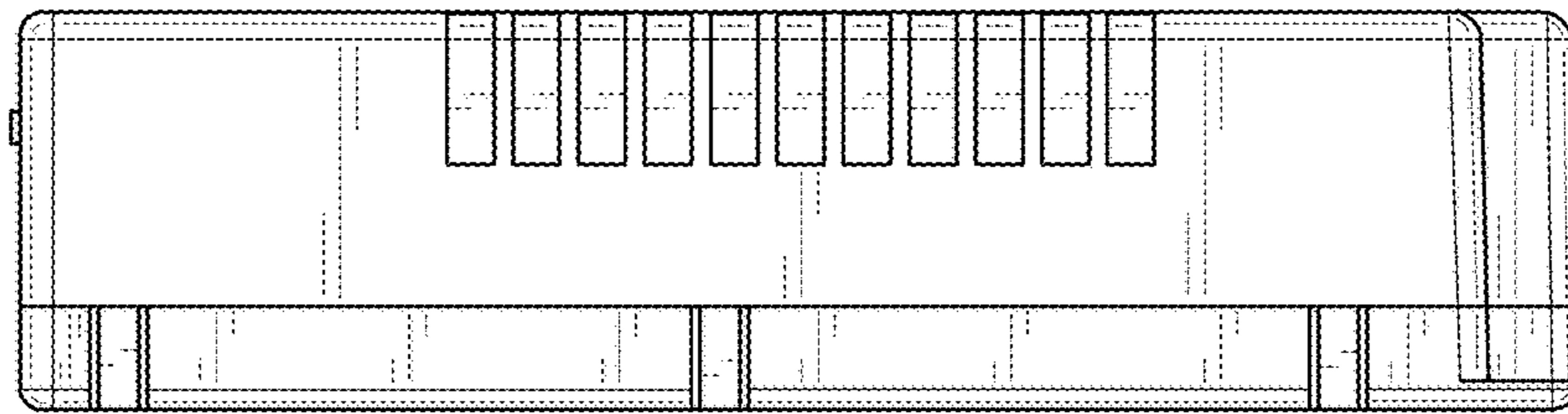


FIG. 7