



US00D858494S

(12) **United States Design Patent** (10) **Patent No.:** **US D858,494 S**
Heckler (45) **Date of Patent:** **** Sep. 3, 2019**

(54) **AUDIO VISUAL MEETING CENTER**

(71) Applicant: **Hecktech, Inc.**, Phoenix, AZ (US)

(72) Inventor: **Dean Heckler**, Phoenix, AZ (US)

(73) Assignee: **Hecktech, Inc.**, Phoenix, AZ (US)

(**) Term: **15 Years**

(21) Appl. No.: **29/650,185**

(22) Filed: **Jun. 5, 2018**

(51) **LOC (12) Cl.** **14-03**

(52) **U.S. Cl.**
 USPC **D14/239**

(58) **Field of Classification Search**
 USPC D14/126, 239, 371, 136, 374-377;
 D8/363, 373, 349, 394; 248/465,
 248/917-924, 123.11; 348/825, 827, 836,
 348/837, 838, 180, 184, 325, 739;
 600/443; D6/477-479, 407, 474, 460,
 D6/461, 468; 312/7.2; 341/12; 345/87,
 345/104, 133, 156, 168, 169, 173;
 720/605, 669, 600, 655; 369/99, 197;
 455/344-347; 349/1, 2, 11, 62; 108/59,
 108/91, 92, 96; 211/40, 41.12, 42, 49.1,
 211/50, 85.2, 90.04, 187, 190, 119.003,
 211/134.153, 87.01, 71.01
 CPC A47B 43/00; G03B 1/00
 See application file for complete search history.

(56) **References Cited**

U.S. PATENT DOCUMENTS

D586,792 S * 2/2009 Lozano D14/239
 D652,412 S * 1/2012 Lozano D14/239
 D699,229 S * 2/2014 Lozano D14/239

* cited by examiner

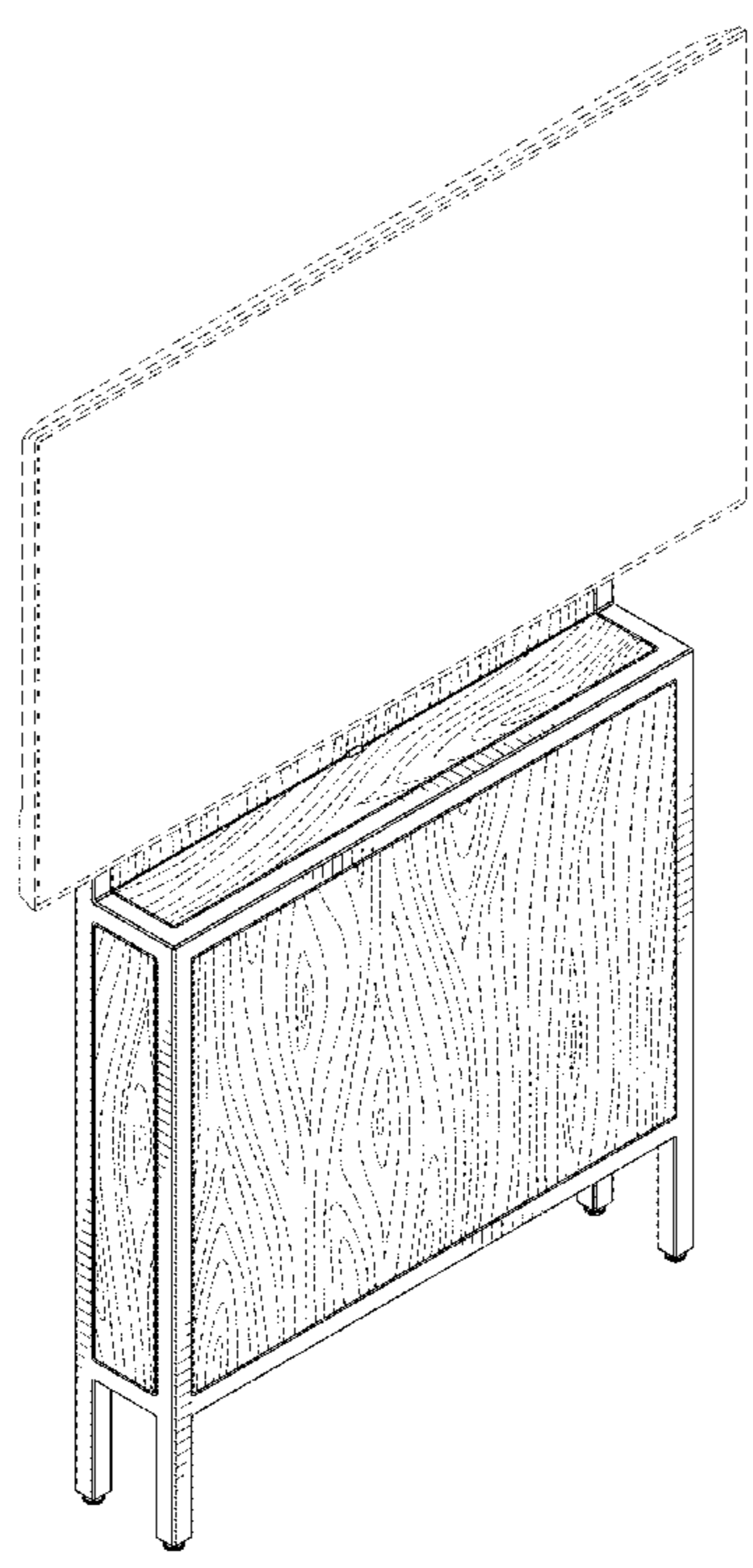
Primary Examiner — Randall H Gholson
 (74) *Attorney, Agent, or Firm* — Hartman Titus PLC;
 John D. Titus

(57) **CLAIM**
 The ornamental design for an audio visual meeting center, as shown.

DESCRIPTION

FIG. 1 is a front perspective view of an audio visual meeting center showing an embodiment of my new design; FIG. 2 is a rear perspective view of the audio visual meeting center shown in FIG. 1; FIG. 3 is an exploded front perspective view of the audio visual meeting center shown in FIG. 1; FIG. 4 is a top view of the audio visual meeting center shown in FIG. 1; FIG. 5 is a bottom view of the audio visual meeting center shown in FIG. 1; FIG. 6 is a right-side view of the audio visual meeting center shown in FIG. 1; FIG. 7 is a front view of the audio visual meeting center shown in FIG. 1; and, FIG. 8 is a rear view of the audio visual meeting center shown in FIG. 1. The broken lines in the drawing figures form no part of the claimed design.

1 Claim, 7 Drawing Sheets



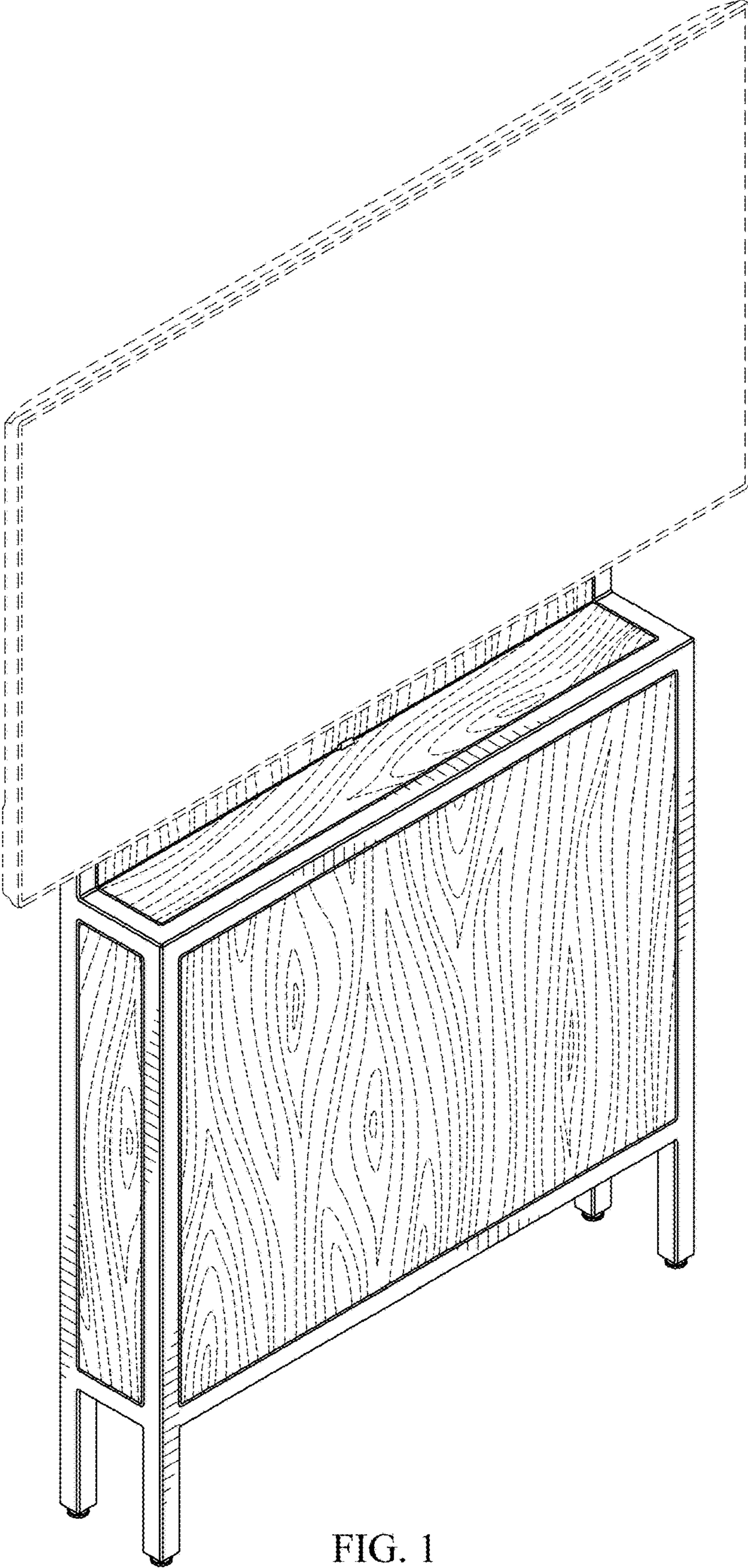


FIG. 1

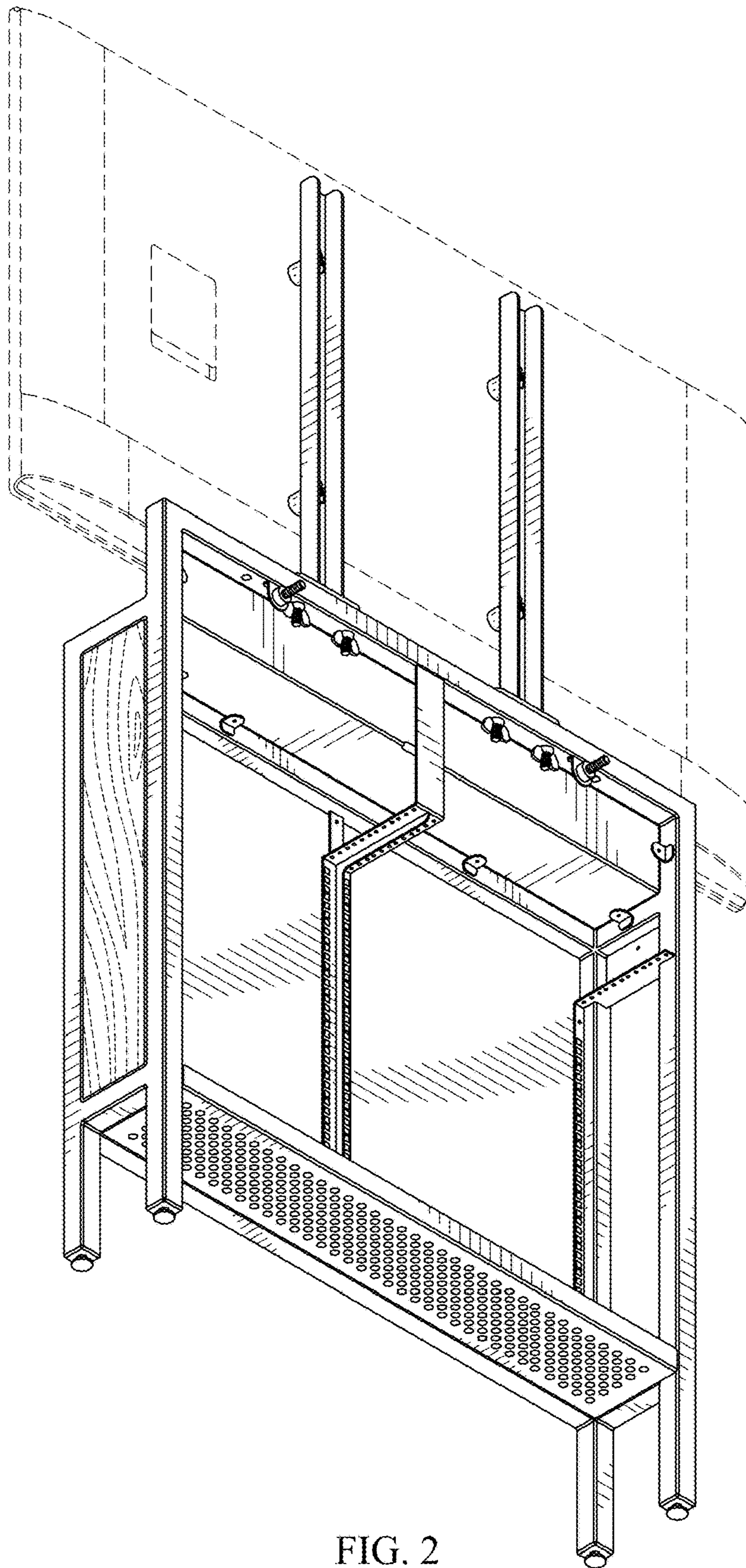


FIG. 2

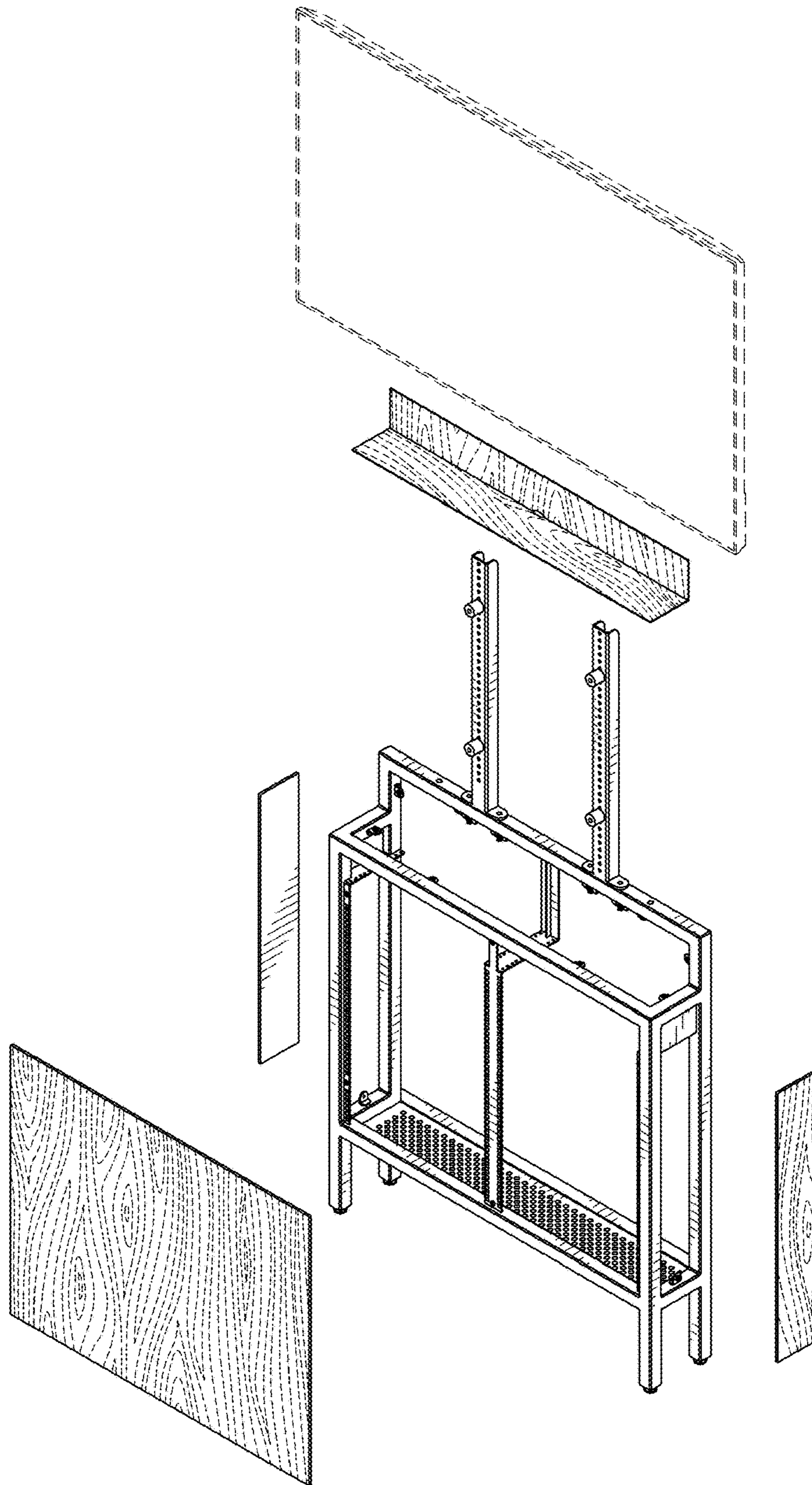


FIG. 3

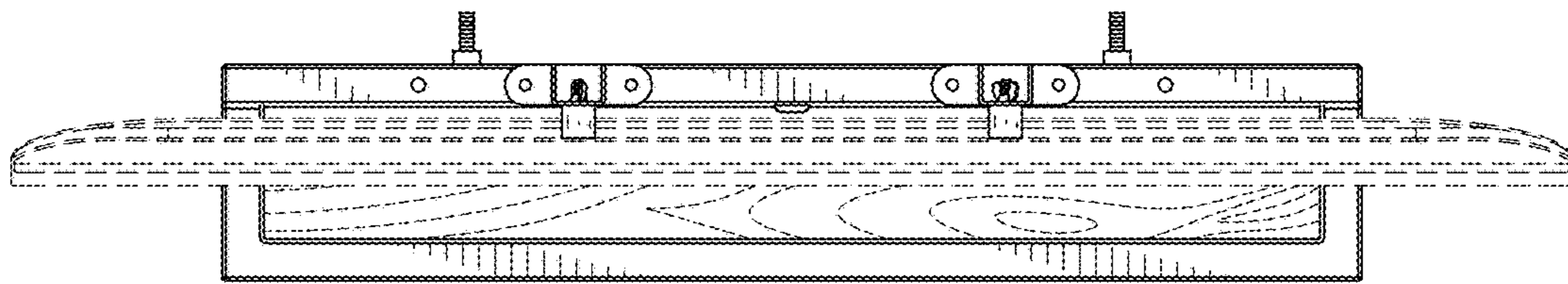


FIG. 4

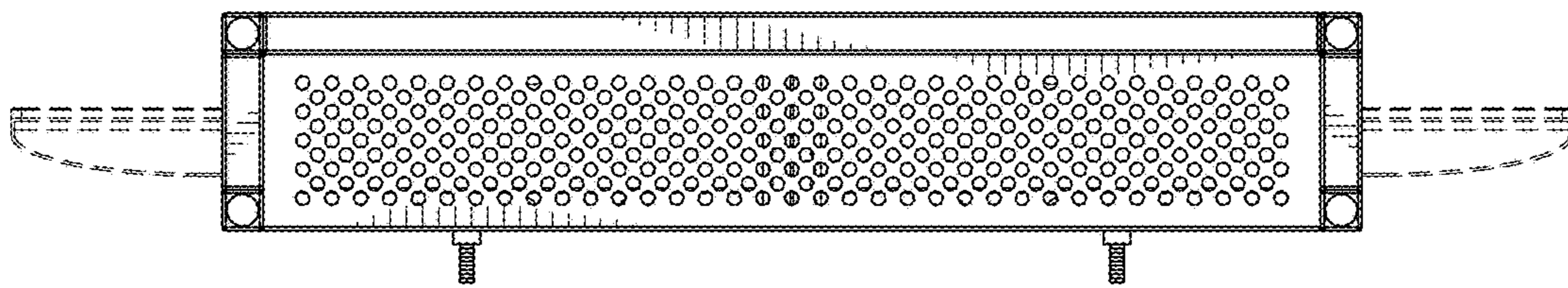


FIG. 5

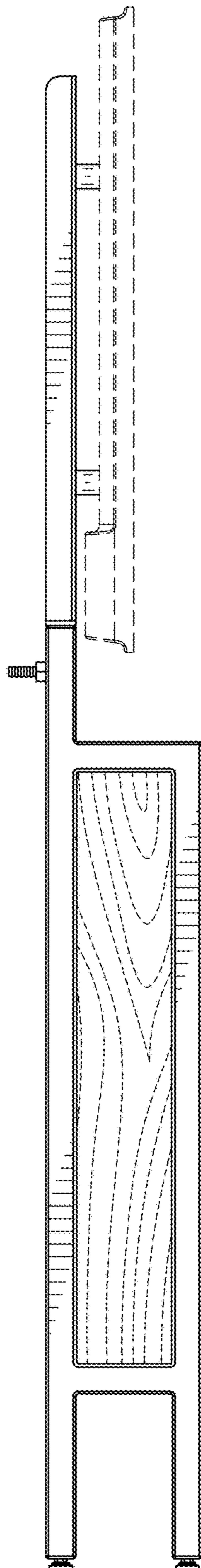


FIG. 6

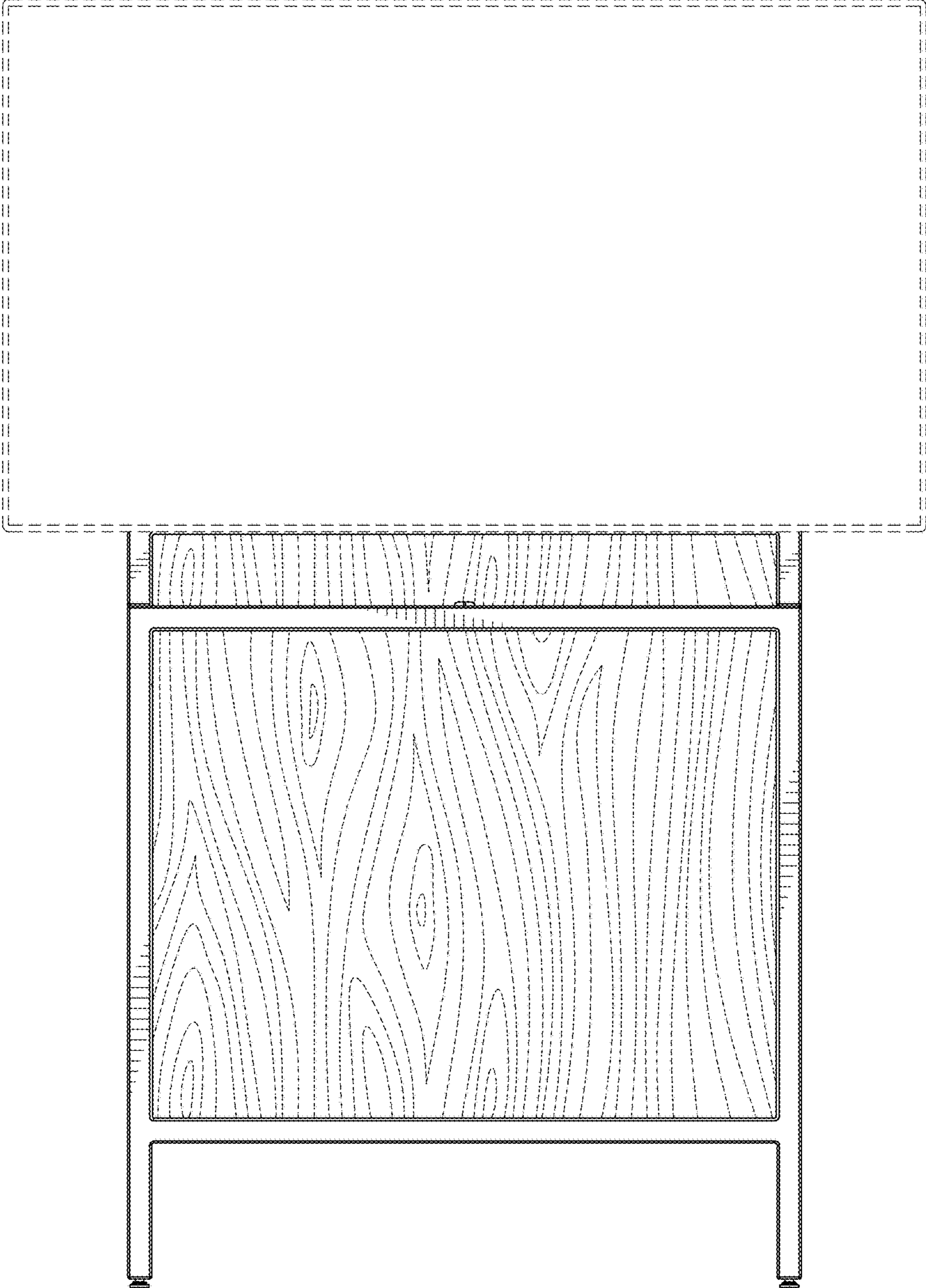


FIG. 7

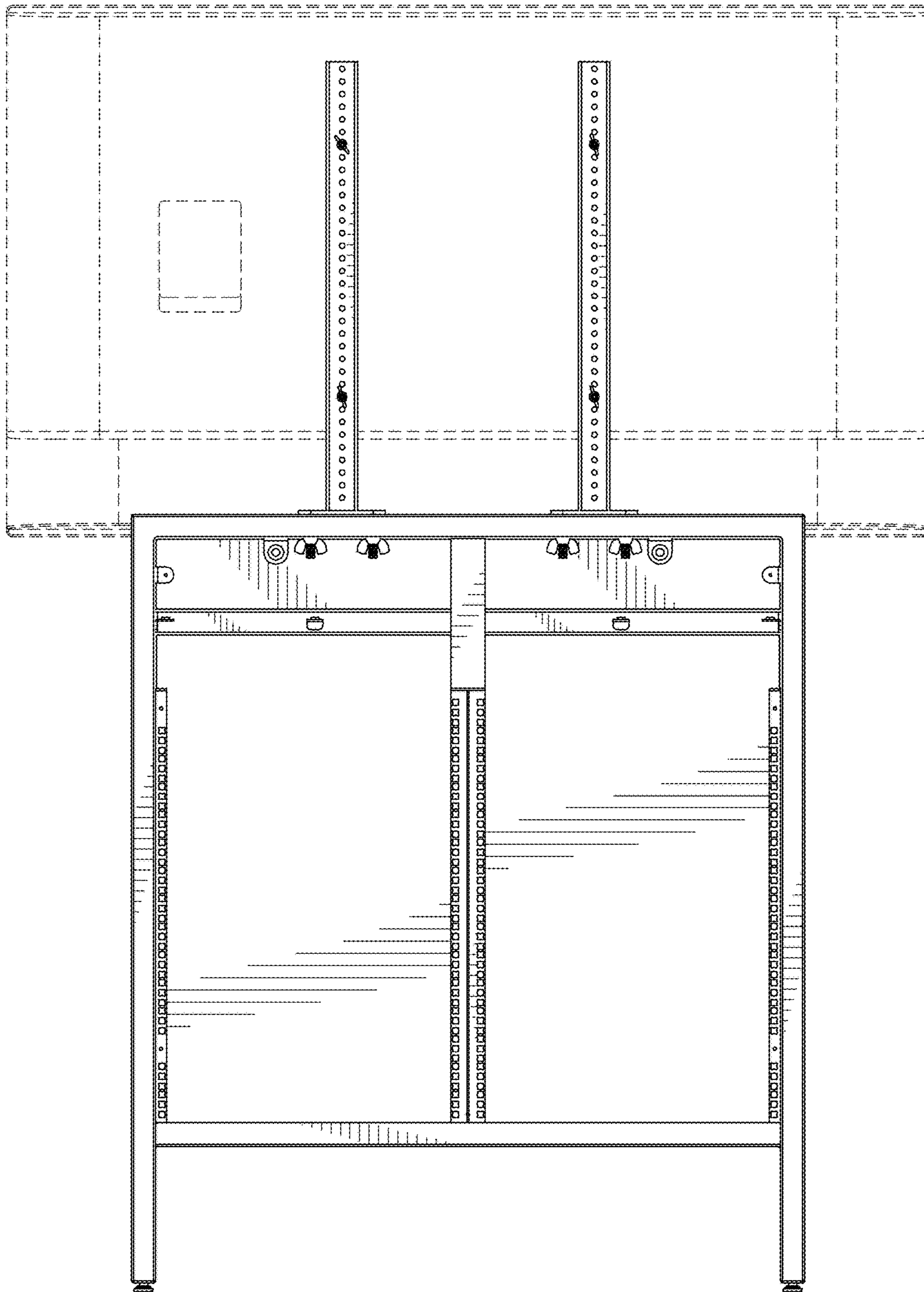


FIG. 8