



US00D858493S

(12) **United States Design Patent** (10) **Patent No.:** **US D858,493 S**  
**Pei** (45) **Date of Patent:** **\*\* Sep. 3, 2019**

(54) **TV MOUNT BRACKET**  
(71) Applicant: **Xubo Pei**, Guangdong (CN)  
(72) Inventor: **Xubo Pei**, Guangdong (CN)  
(\*\*) Term: **15 Years**  
(21) Appl. No.: **29/648,416**  
(22) Filed: **May 21, 2018**  
(51) **LOC (12) Cl.** ..... **14-03**  
(52) **U.S. Cl.**  
USPC ..... **D14/239**  
(58) **Field of Classification Search**  
USPC ..... D14/239, 371, 136, 374-377, 451, 452;  
D8/363, 373, 349, 394; D6/477-479,  
D6/407, 474, 460, 461, 468; 248/465,  
248/917-924, 123.11; 348/825, 827, 836,  
348/837, 838, 180, 184, 325, 739;  
600/443; 312/7.2; 345/87, 104, 133,  
345/156, 168, 169, 173  
CPC ..... A47B 43/00; G03B 1/00  
See application file for complete search history.

D603,852 S \* 11/2009 Le ..... D14/239  
D606,522 S \* 12/2009 Le ..... D14/239  
D620,943 S \* 8/2010 Grey ..... D14/452  
D621,820 S \* 8/2010 Liang ..... D14/239  
D627,767 S \* 11/2010 Molter ..... D14/239  
D627,787 S \* 11/2010 Grey ..... D14/239  
D631,875 S \* 2/2011 Skull ..... D14/239  
D634,310 S \* 3/2011 Knaapen ..... D14/239  
D640,672 S \* 6/2011 Molter ..... D14/239  
D641,369 S \* 7/2011 Skull ..... D14/452  
D662,104 S \* 6/2012 Brandt ..... D14/452  
D700,593 S \* 3/2014 Xiang ..... D14/239  
8,827,226 B2 \* 9/2014 Townsend ..... F16M 11/10  
220/3.5  
D747,724 S \* 1/2016 Kulkami ..... D14/452  
9,383,060 B2 \* 7/2016 Geier ..... F16M 11/048  
D811,375 S \* 2/2018 Pei ..... D14/239  
D811,376 S \* 2/2018 Pei ..... D14/239  
D822,011 S \* 7/2018 Namala ..... D14/239

(Continued)

*Primary Examiner* — Mark A Goodwin  
(74) *Attorney, Agent, or Firm* — Hauptman Ham, LLP

(57) **CLAIM**

The ornamental design for a TV mount bracket, as shown and described.

**DESCRIPTION**

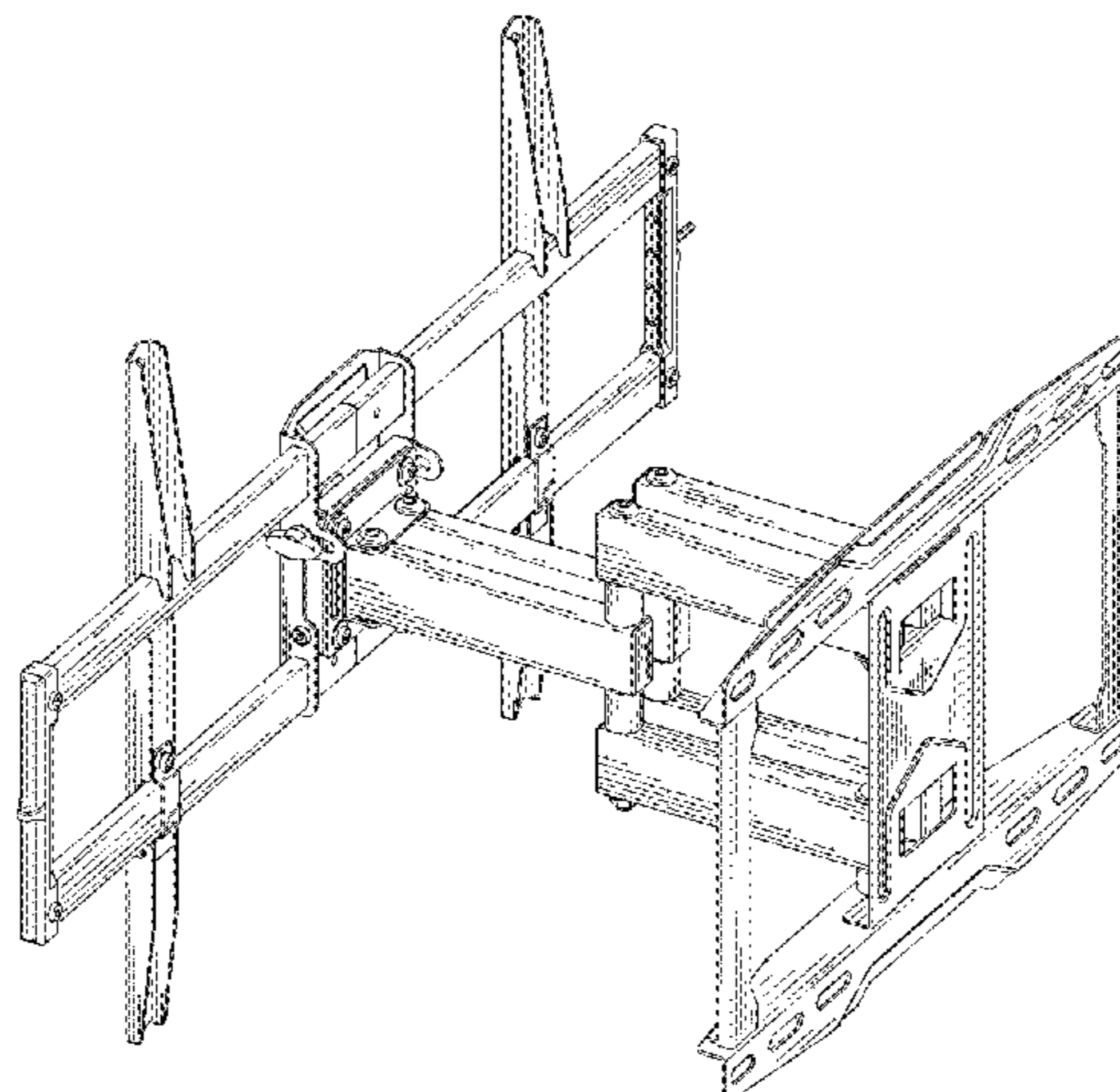
FIG. 1 is a front view of a TV mount bracket bearing the design;  
FIG. 2 is a rear view thereof;  
FIG. 3 is a left side view thereof;  
FIG. 4 is a right side view thereof;  
FIG. 5 is a top plan view thereof;  
FIG. 6 is a bottom plan view thereof;  
FIG. 7 is a front-top-left perspective view thereof;  
FIG. 8 is a front-top-right perspective view thereof in a changed state; and,  
FIG. 9 is a rear-top-right perspective view thereof in the changed state.

**1 Claim, 5 Drawing Sheets**

(56) **References Cited**

**U.S. PATENT DOCUMENTS**

6,905,101 B1 \* 6/2005 Dittmer ..... F16M 11/10  
248/125.7  
D553,483 S \* 10/2007 Grey ..... D8/380  
D561,775 S \* 2/2008 Wohlford ..... D14/451  
D563,962 S \* 3/2008 Grey ..... D14/452  
7,448,584 B2 \* 11/2008 Chen ..... F16M 11/10  
248/122.1  
D581,915 S \* 12/2008 Sculler ..... D14/239  
D581,916 S \* 12/2008 Sculler ..... D14/239  
D582,401 S \* 12/2008 Stenhouse ..... D14/239  
7,487,943 B1 \* 2/2009 Gillespie ..... F16M 11/10  
248/279.1  
7,513,469 B1 \* 4/2009 Ciungan ..... F16M 11/046  
248/161



(56)

**References Cited**

U.S. PATENT DOCUMENTS

D842,283 S *	3/2019	Pei	.....	D14/239
D842,284 S *	3/2019	Pei	.....	D14/239
2008/0006751 A1*	1/2008	Chen	.....	F16M 11/10 248/278.1
2009/0194655 A1*	8/2009	Huang	.....	F16M 11/10 248/282.1
2011/0163215 A1*	7/2011	Walters	.....	F16M 11/08 248/220.22

\* cited by examiner

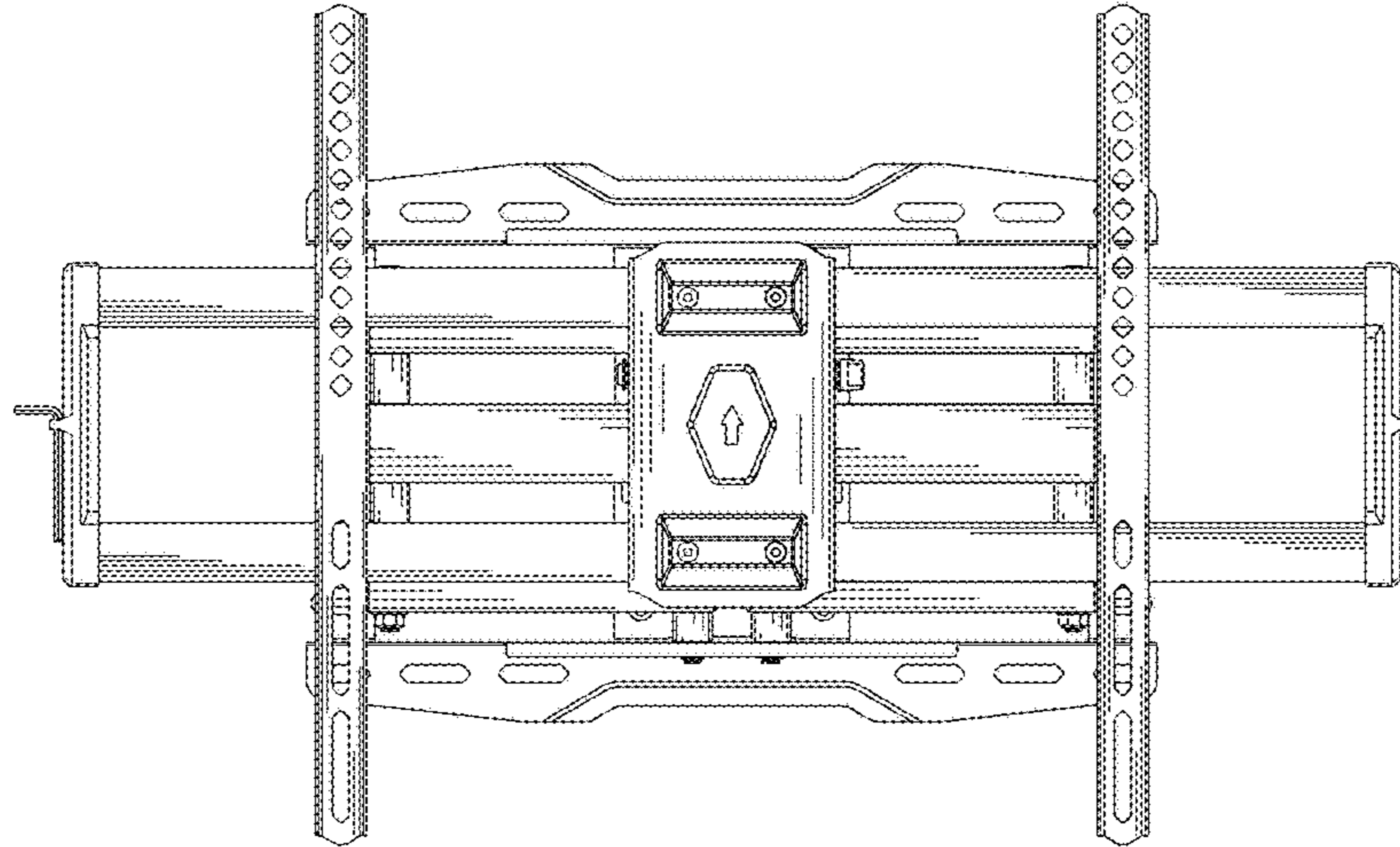


FIG. 1

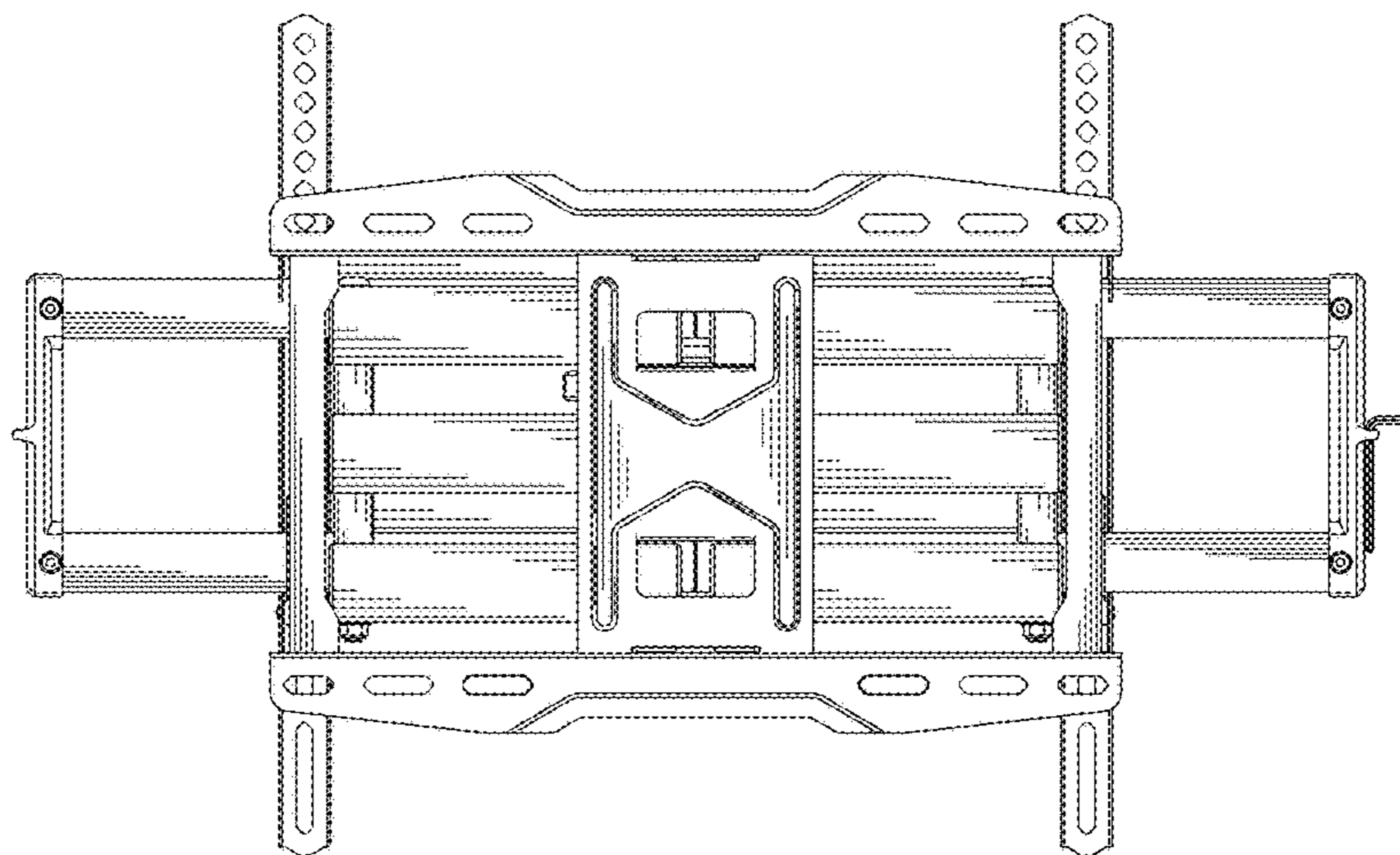


FIG. 2

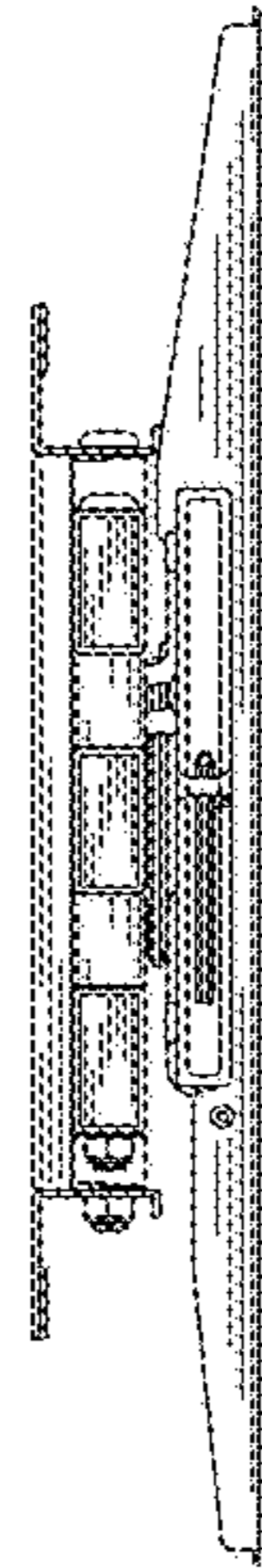


FIG. 3

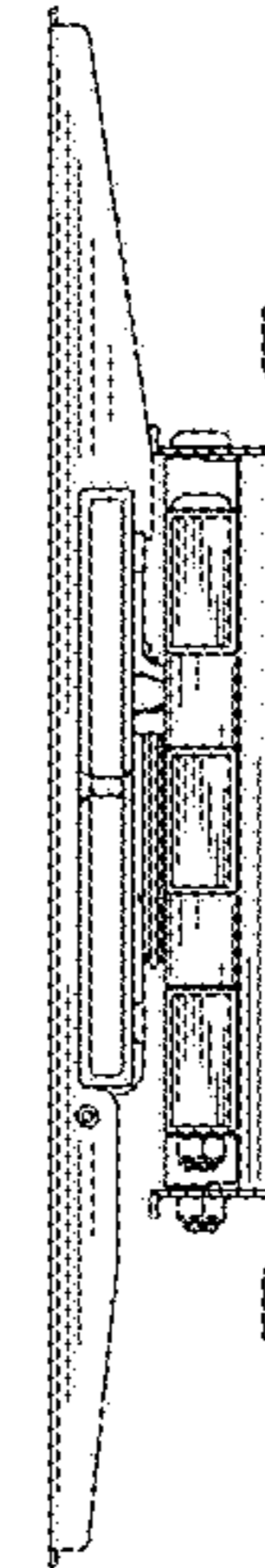


FIG. 4

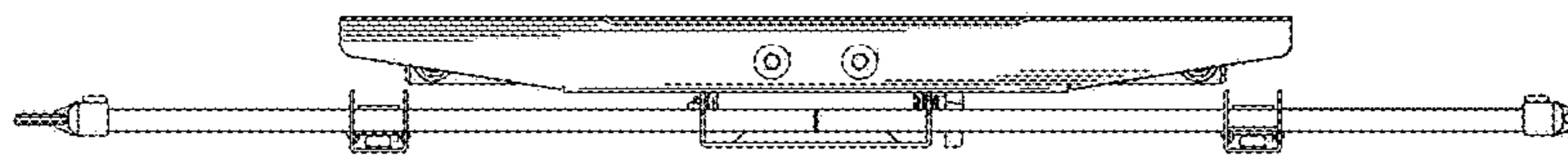


FIG. 5

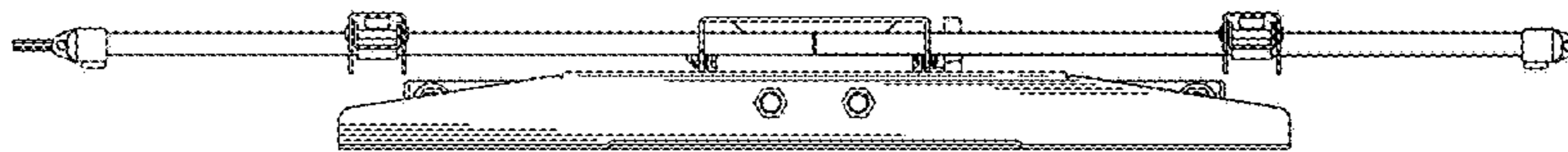


FIG. 6



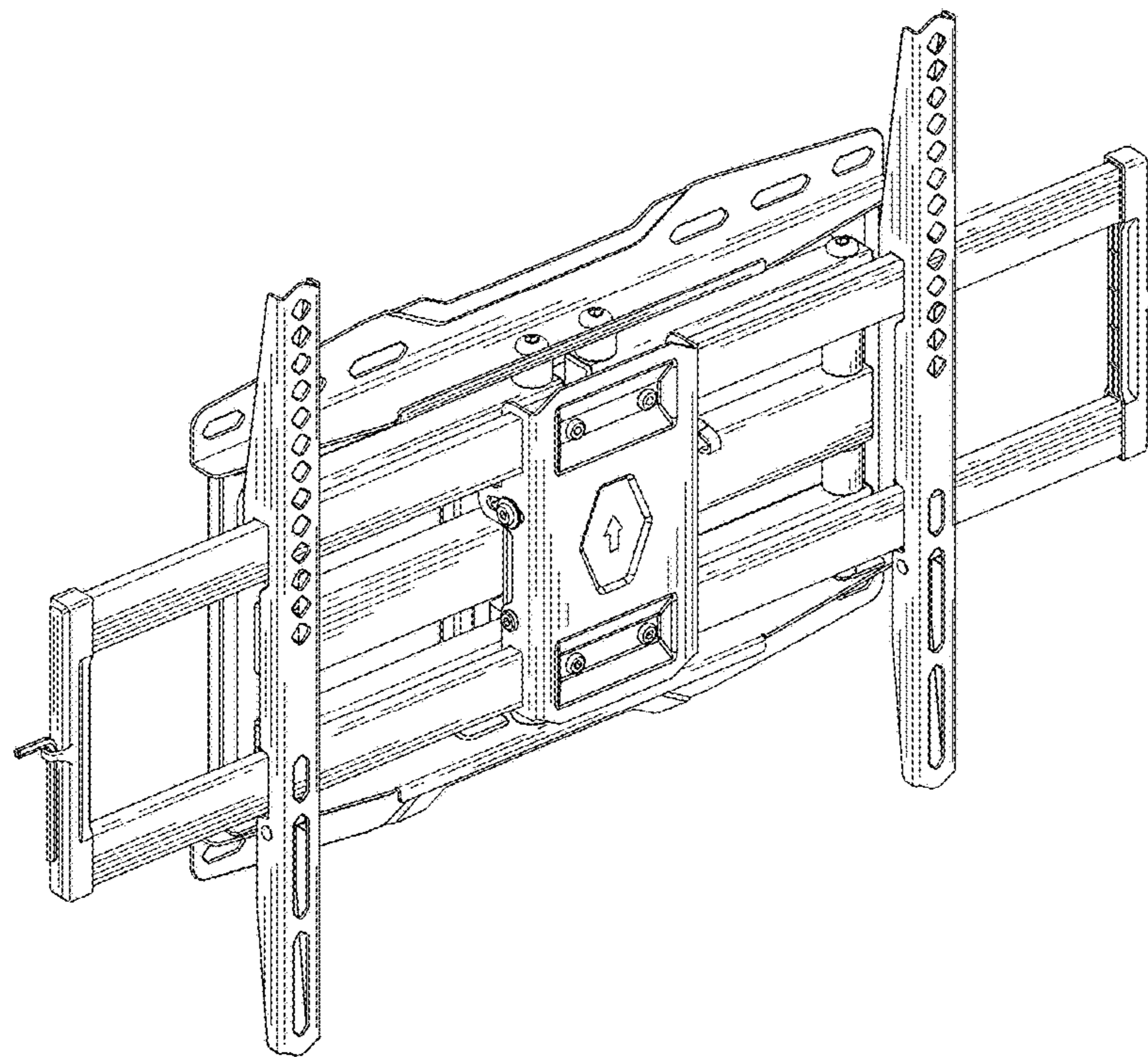


FIG.7

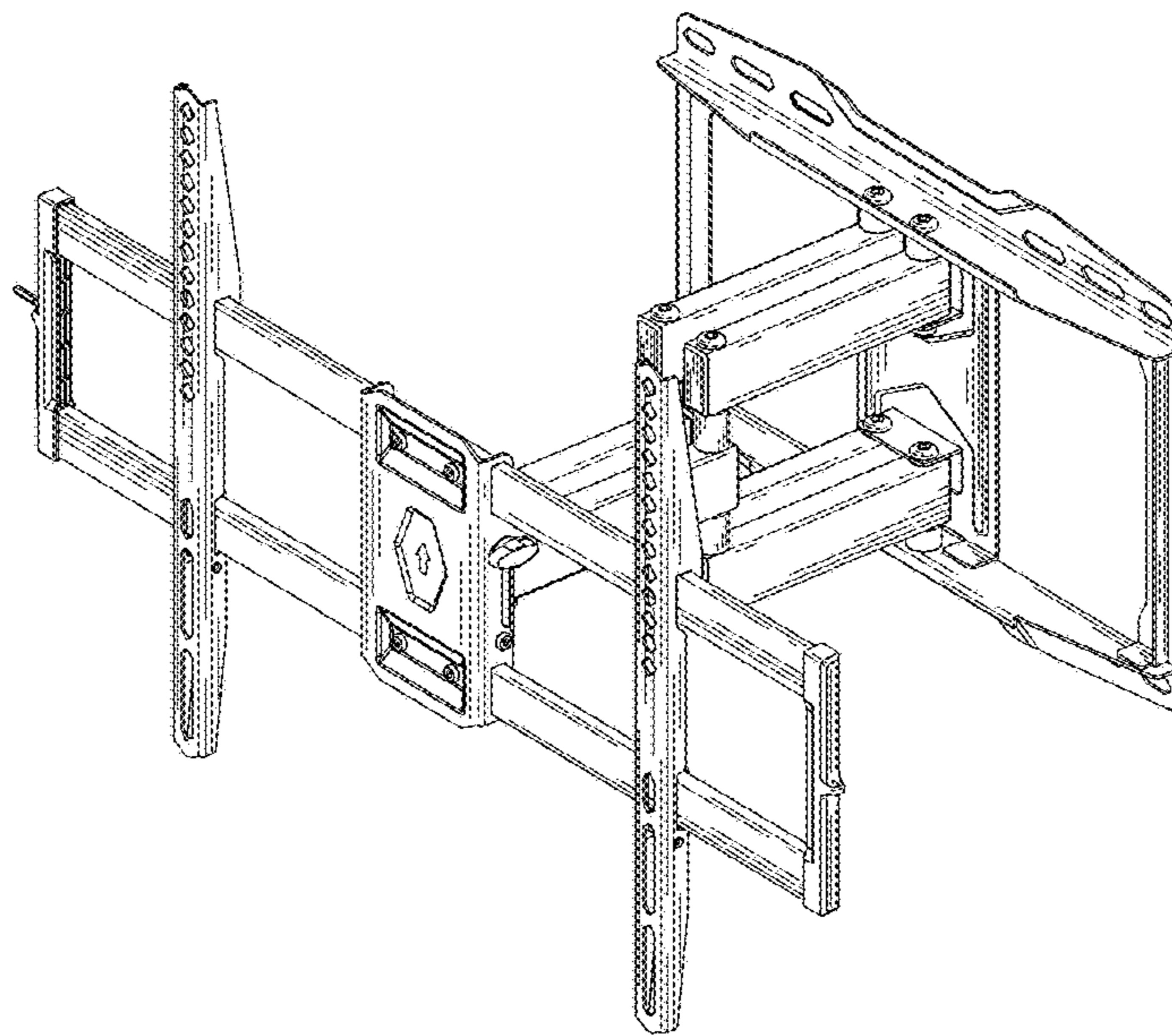


FIG.8

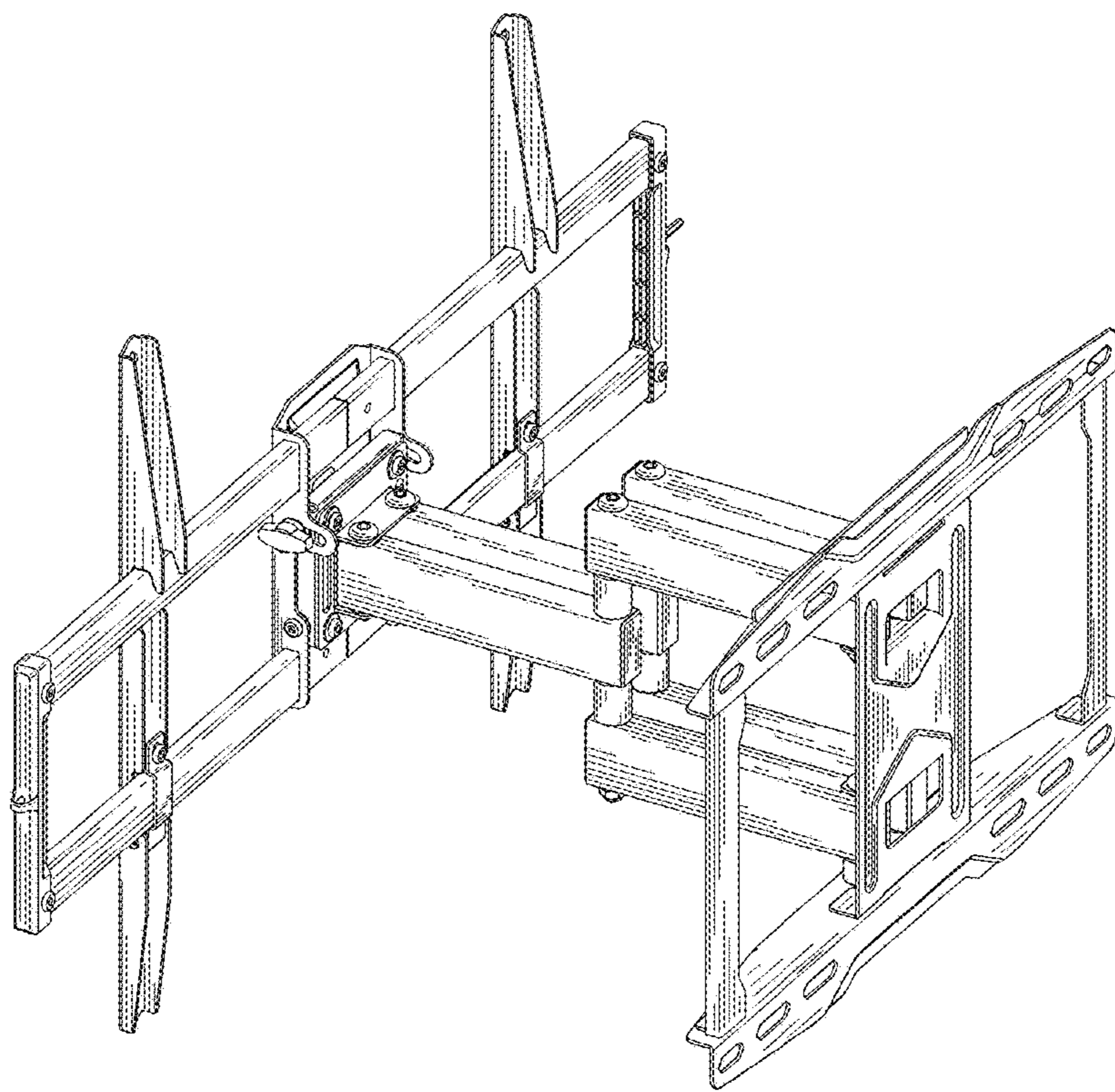


FIG.9