



US00D858489S

(12) **United States Design Patent**  
**Hu**

(10) **Patent No.:** **US D858,489 S**

(45) **Date of Patent:** **\*\* Sep. 3, 2019**

- (54) **EARPHONE**
- (71) Applicant: **MPOW TECHNOLOGY CO., LIMITED**, Hong Kong (HK)
- (72) Inventor: **Zaihui Hu**, Shenzhen (CN)
- (73) Assignee: **MPOW TECHNOLOGY CO., LIMITED**, Hong Kong (HK)
- (\*\*) Term: **15 Years**
- (21) Appl. No.: **29/632,087**
- (22) Filed: **Jan. 4, 2018**
- (51) **LOC (12) Cl.** ..... **14-01**
- (52) **U.S. Cl.**  
USPC ..... **D14/223**
- (58) **Field of Classification Search**  
USPC ..... D14/223, 205; D24/174; 128/864, 865, 128/866; 181/129, 130, 135; 379/430, 379/431; 381/380, 381, 374; 455/90.3, 455/575.1, 569.1  
CPC .... H04R 1/1066; H04R 1/1016; H04R 5/033; H04R 5/0335; H04R 1/10; H04R 25/00  
See application file for complete search history.

(56) **References Cited**

**U.S. PATENT DOCUMENTS**

- 1,668,910 A \* 5/1928 Jones ..... H04R 1/1016  
181/130
- 2,377,739 A \* 6/1945 Wyckoff ..... H04R 25/652  
181/132
- 2,595,672 A \* 5/1952 Greenwood ..... H04R 25/65  
24/113 MP
- 2,754,365 A \* 7/1956 Walters ..... H04R 1/225  
181/132
- 2,805,332 A \* 9/1957 Bell ..... H04B 1/088  
329/370
- 2,910,679 A \* 10/1959 Baldwin ..... B60K 28/06  
200/61.47

- 2,971,065 A \* 2/1961 Busse ..... H04R 25/456  
381/104
- 3,234,467 A \* 2/1966 Haveson ..... H01Q 1/24  
334/76
- 3,324,253 A \* 6/1967 Uemura ..... H04R 11/06  
381/189
- 3,440,365 A \* 4/1969 Hazell ..... H04M 1/05  
379/430
- 3,457,375 A \* 7/1969 Haggerty ..... H04R 25/456  
381/322
- D215,675 S \* 10/1969 Yran ..... D13/114
- 3,730,181 A \* 5/1973 Fling ..... A61F 11/08  
128/868
- 3,821,647 A \* 6/1974 Minasian ..... H03D 1/10  
381/380
- D236,988 S \* 9/1975 Walters ..... D14/223
- 4,069,400 A \* 1/1978 Johanson ..... H04R 25/60  
381/322
- 4,457,396 A \* 7/1984 James ..... H04R 1/345  
181/129

(Continued)

*Primary Examiner* — Paula Allen Greene  
(74) *Attorney, Agent, or Firm* — JCIPRNET

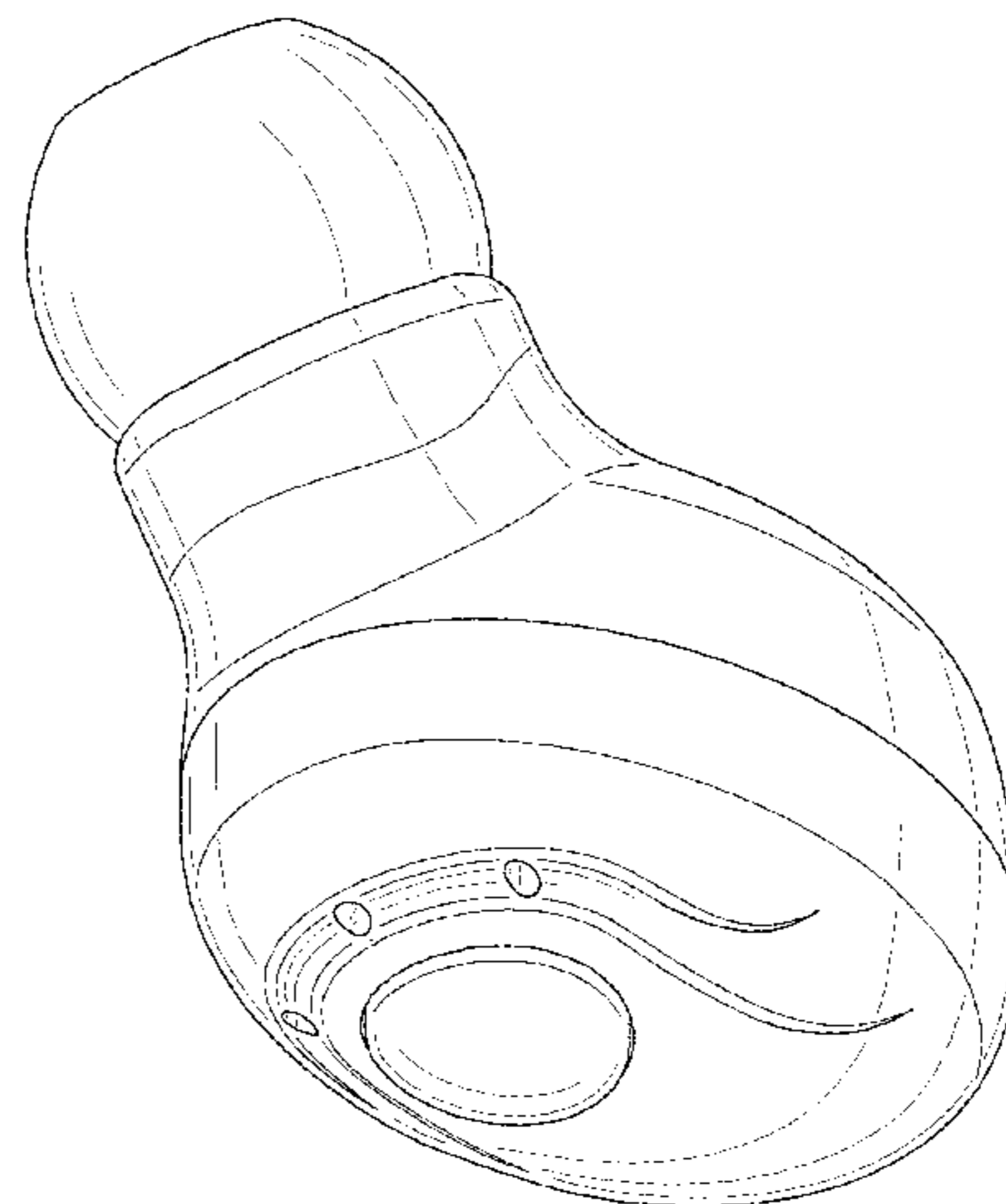
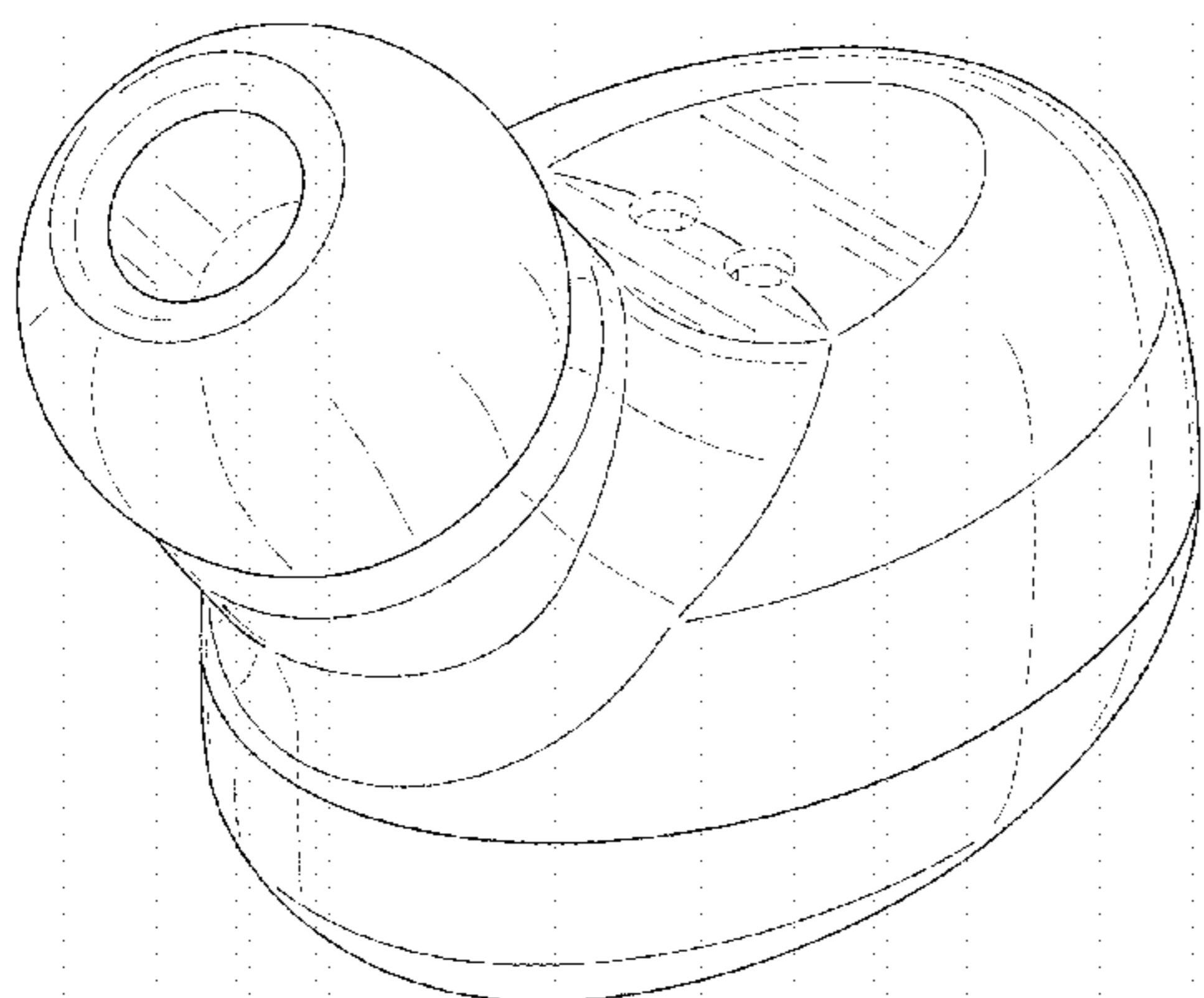
(57) **CLAIM**

The ornamental design for an earphone, as shown and described.

**DESCRIPTION**

FIG. 1 is a perspective view of an earphone showing my new design;  
FIG. 2 is another perspective view thereof;  
FIG. 3 is a front view thereof;  
FIG. 4 is a rear view thereof;  
FIG. 5 is a left side view thereof;  
FIG. 6 is a right side view thereof;  
FIG. 7 is a top view thereof; and,  
FIG. 8 is a bottom view thereof.  
The broken lines depict environment that forms no part of the claimed design.

**1 Claim, 8 Drawing Sheets**



(56)

References Cited

U.S. PATENT DOCUMENTS

4,539,708 A \* 9/1985 Norris ..... H04B 1/088  
 455/100  
 4,585,089 A \* 4/1986 Topholm ..... H04R 25/65  
 181/130  
 D287,764 S \* 1/1987 Topholm ..... D24/174  
 D287,765 S \* 1/1987 Topholm ..... D24/174  
 D295,173 S \* 4/1988 Oren ..... D14/168  
 5,054,079 A \* 10/1991 Frielingsdorf ..... H04R 1/46  
 379/430  
 D321,881 S \* 11/1991 Hopewell ..... D14/192  
 D348,066 S \* 6/1994 Lucey ..... D14/205  
 D417,465 S \* 12/1999 Kreitz ..... D14/192  
 6,122,388 A \* 9/2000 Feldman ..... H04R 25/604  
 381/322  
 D477,593 S \* 7/2003 Komiyama ..... D14/223  
 D477,822 S \* 7/2003 Komiyama ..... D14/223  
 D481,709 S \* 11/2003 Solderits ..... D14/223  
 D505,411 S \* 5/2005 Sakai ..... D14/192  
 D519,108 S \* 4/2006 Yang ..... D14/223  
 7,120,267 B2 \* 10/2006 Ito ..... H04M 1/05  
 381/375  
 D588,111 S \* 3/2009 Komiyama ..... D14/223  
 D603,380 S \* 11/2009 Hutchieson ..... D14/223  
 D637,997 S \* 5/2011 Peller ..... D14/205  
 D637,999 S \* 5/2011 Brunner ..... D14/205

D652,817 S \* 1/2012 Lee ..... D14/205  
 D652,822 S \* 1/2012 Lee ..... D14/223  
 D654,056 S \* 2/2012 Hoggarth ..... D14/205  
 D666,581 S \* 9/2012 Perez ..... D14/223  
 8,275,166 B2 \* 9/2012 Wu ..... H04R 25/00  
 381/328  
 D699,226 S \* 2/2014 Yoon ..... D14/206  
 D725,082 S \* 3/2015 Palmborg ..... D14/223  
 8,983,108 B2 \* 3/2015 Ho ..... H04R 1/1016  
 181/135  
 D733,102 S \* 6/2015 Palmborg ..... D14/223  
 9,087,506 B1 \* 7/2015 Kraft ..... G10L 21/0232  
 9,131,308 B2 \* 9/2015 Kraft ..... G10L 21/0232  
 D773,032 S \* 11/2016 Palmborg ..... D24/106  
 D777,719 S \* 1/2017 Kim ..... D14/250  
 9,565,491 B2 \* 2/2017 Baker ..... H04R 1/1083  
 D781,269 S \* 3/2017 Choe ..... D14/223  
 D782,997 S \* 4/2017 Shin ..... D14/205  
 D782,998 S \* 4/2017 Shin ..... D14/205  
 D798,843 S \* 10/2017 Valenzuela ..... D14/223  
 D806,879 S \* 1/2018 Horbinski ..... D24/174  
 D813,848 S \* 3/2018 Palmborg ..... D14/223  
 D817,309 S \* 5/2018 Czaniecki ..... D14/223  
 D846,532 S \* 4/2019 Xiao ..... D14/223  
 2007/0263896 A1 \* 11/2007 Chen ..... H04R 1/105  
 381/381  
 2012/0114160 A1 \* 5/2012 Lin ..... H04R 1/1091  
 381/380

\* cited by examiner

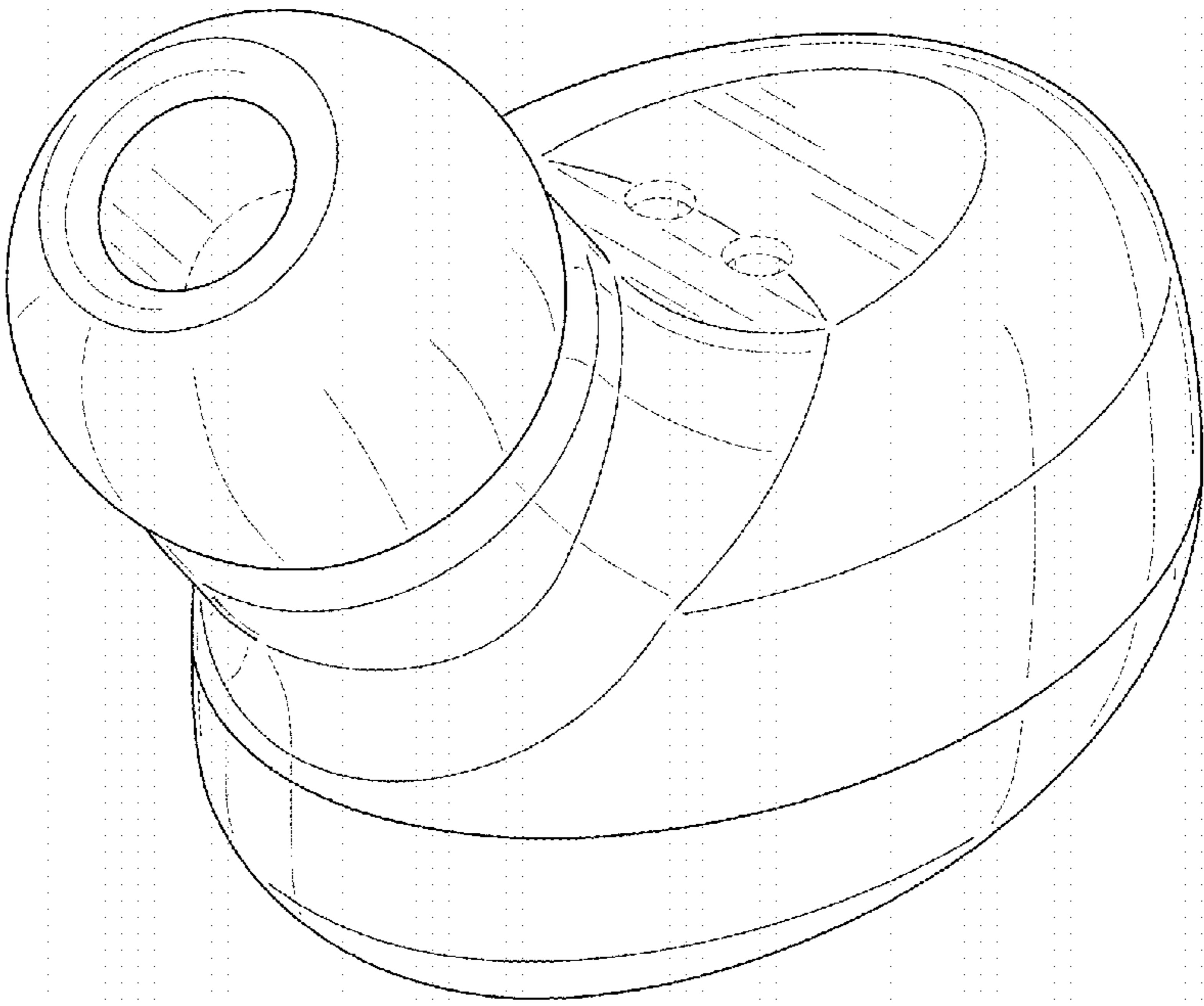


FIG. 1

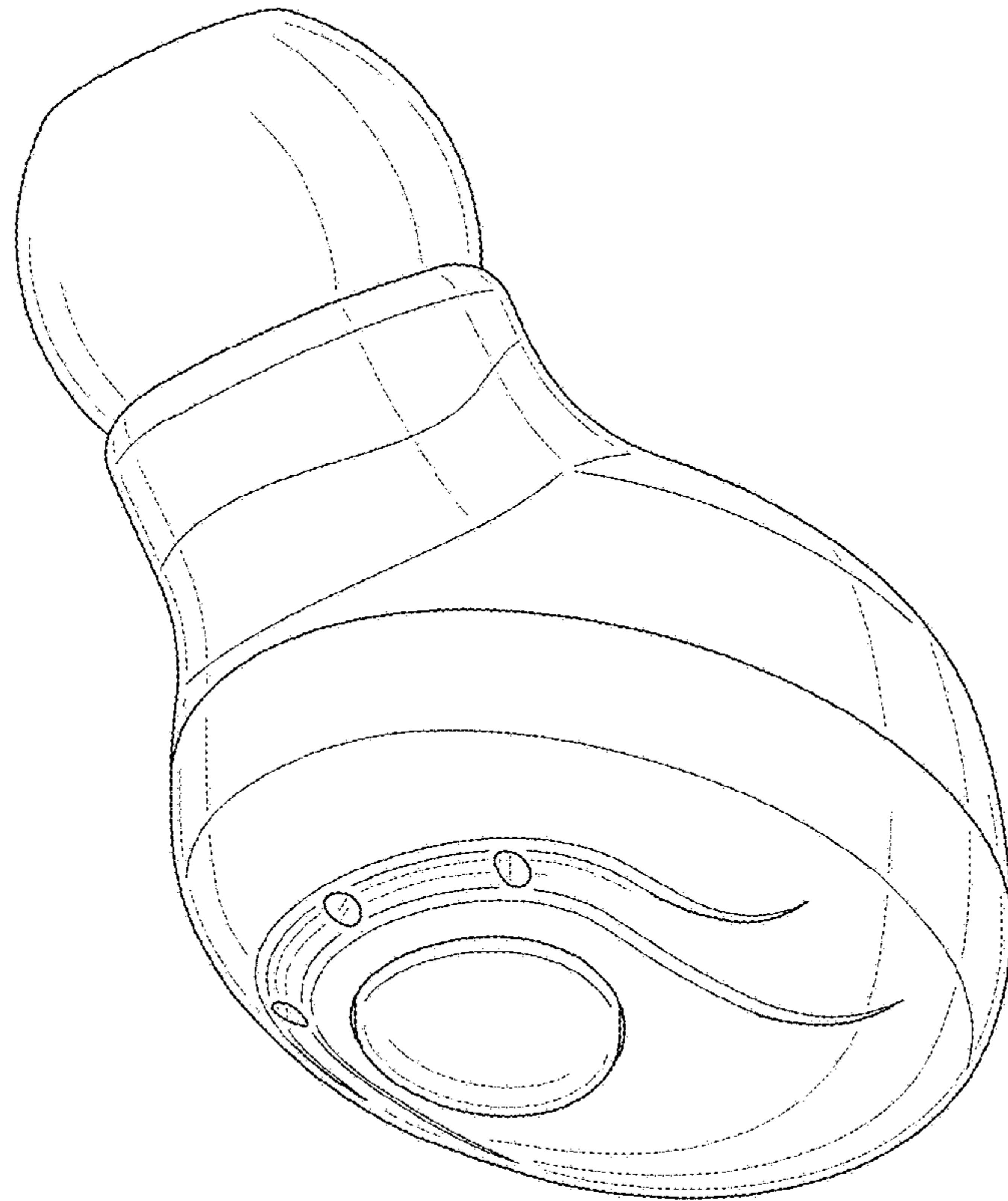


FIG. 2

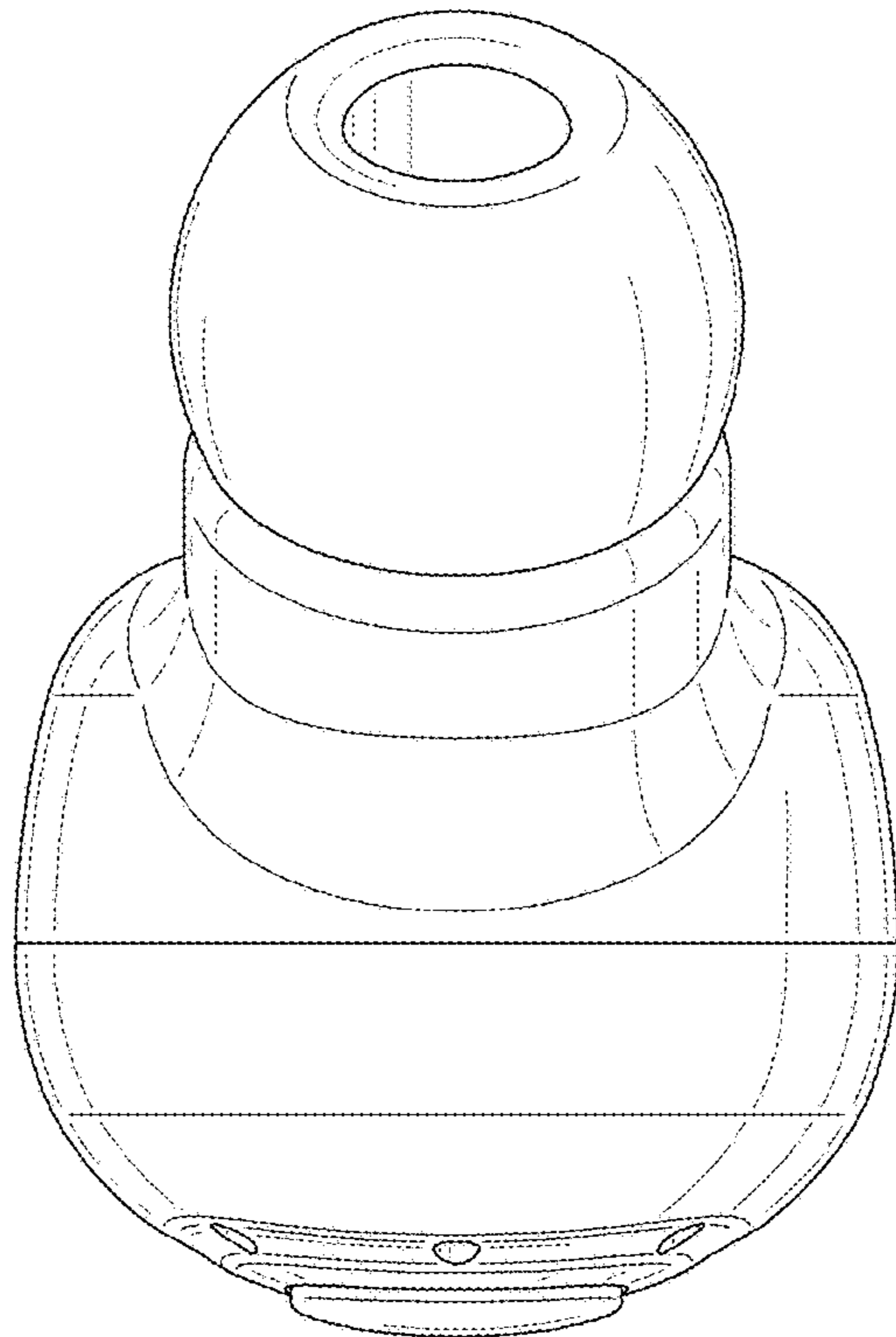


FIG. 3

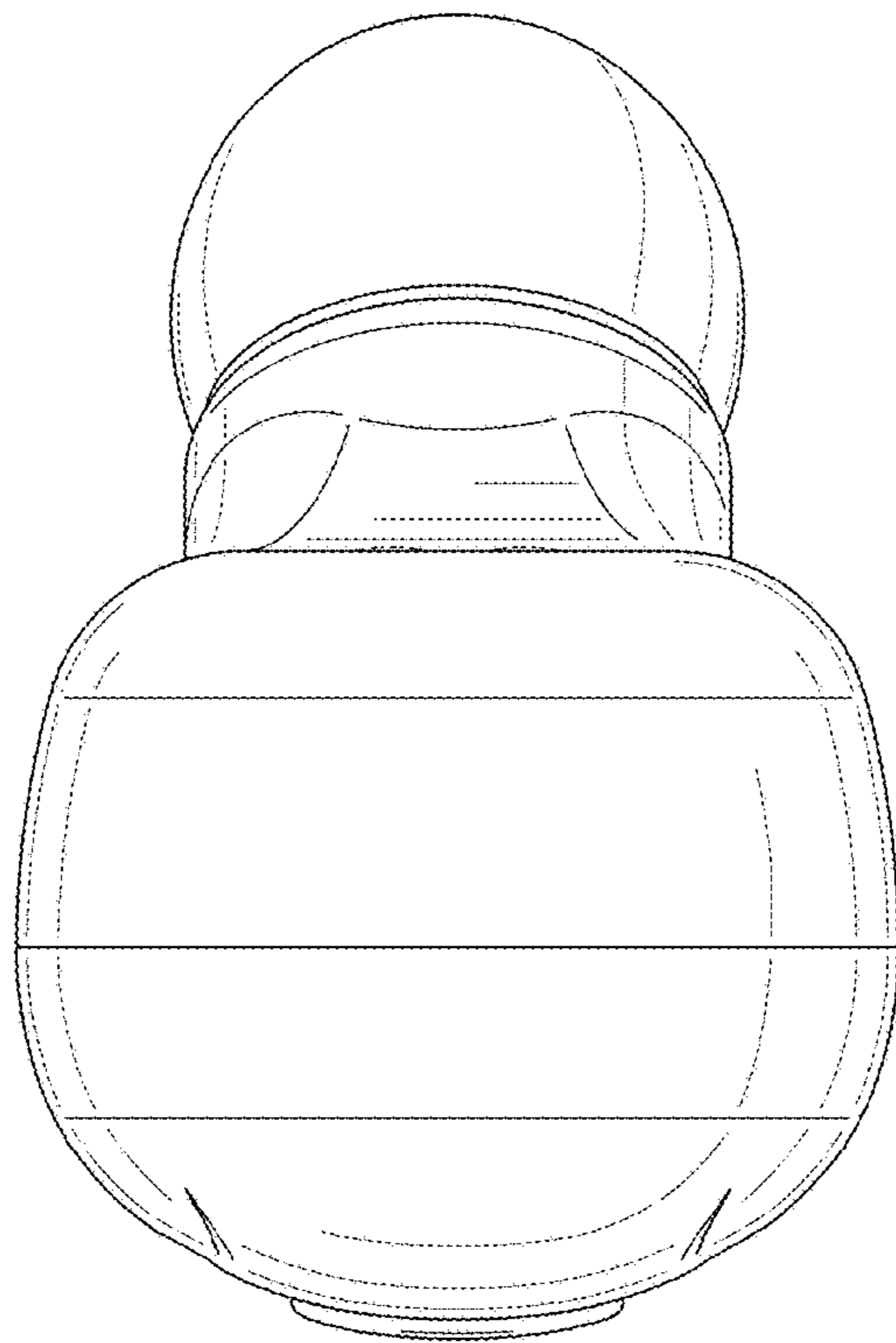


FIG. 4

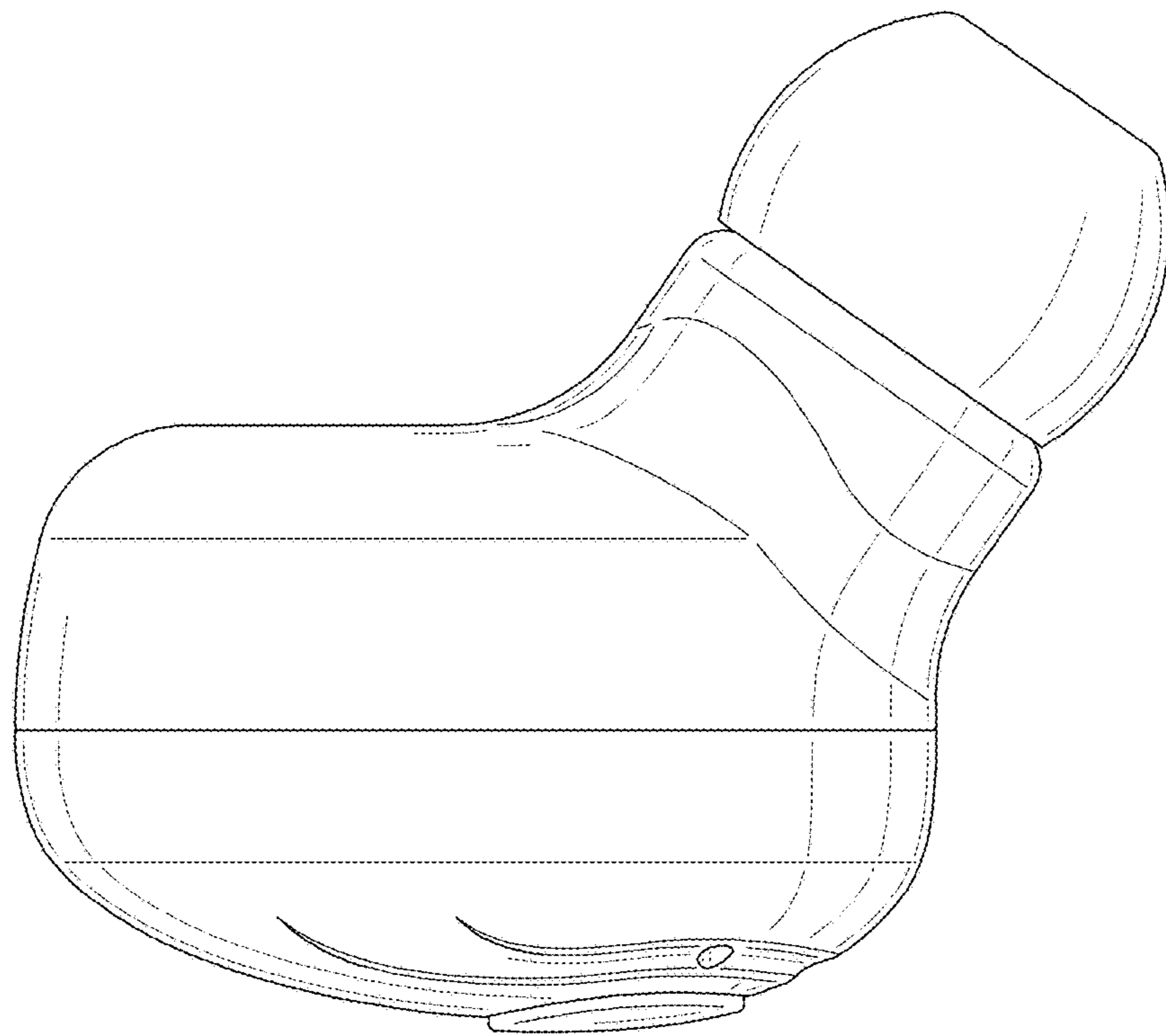


FIG. 5

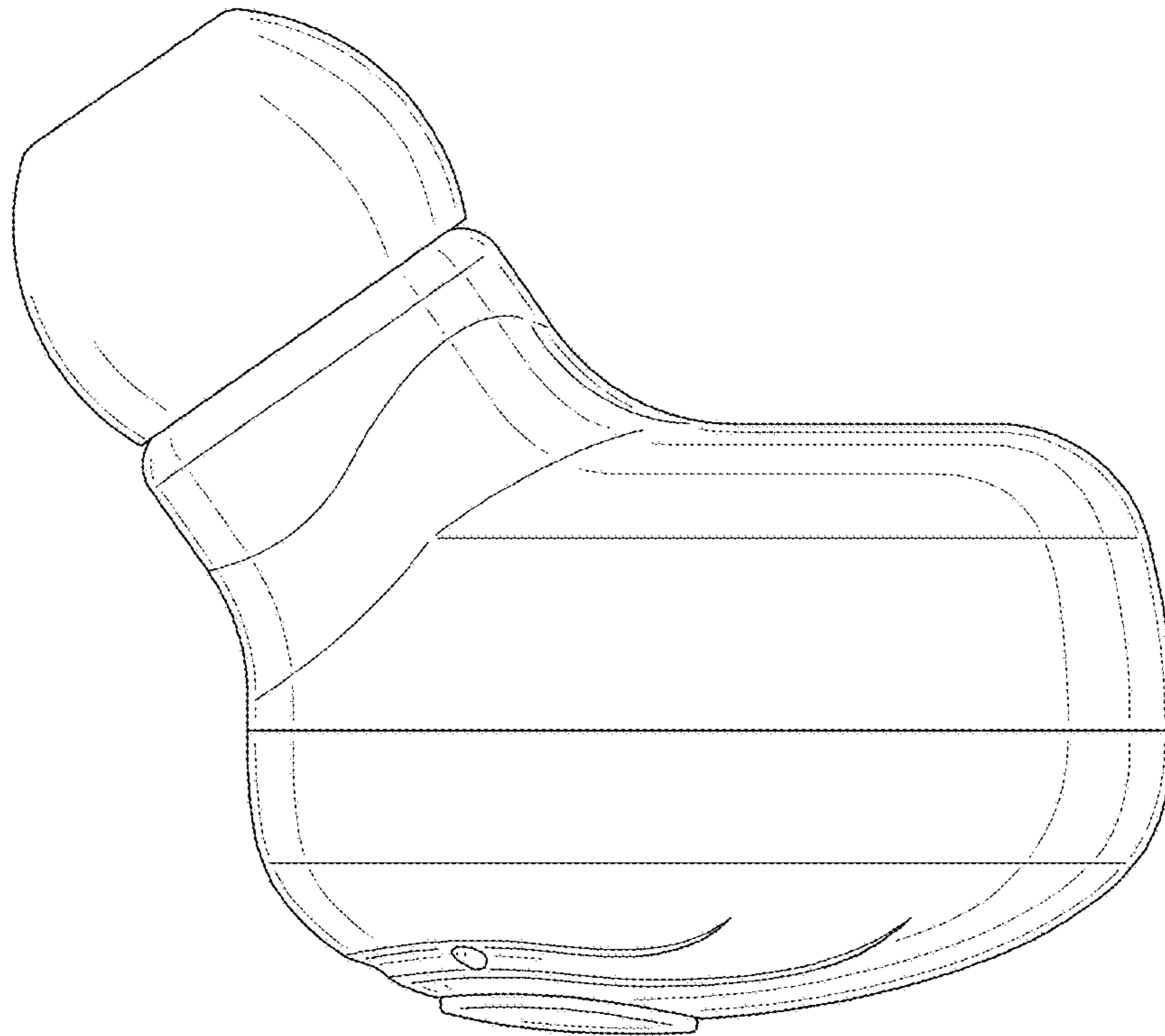


FIG. 6



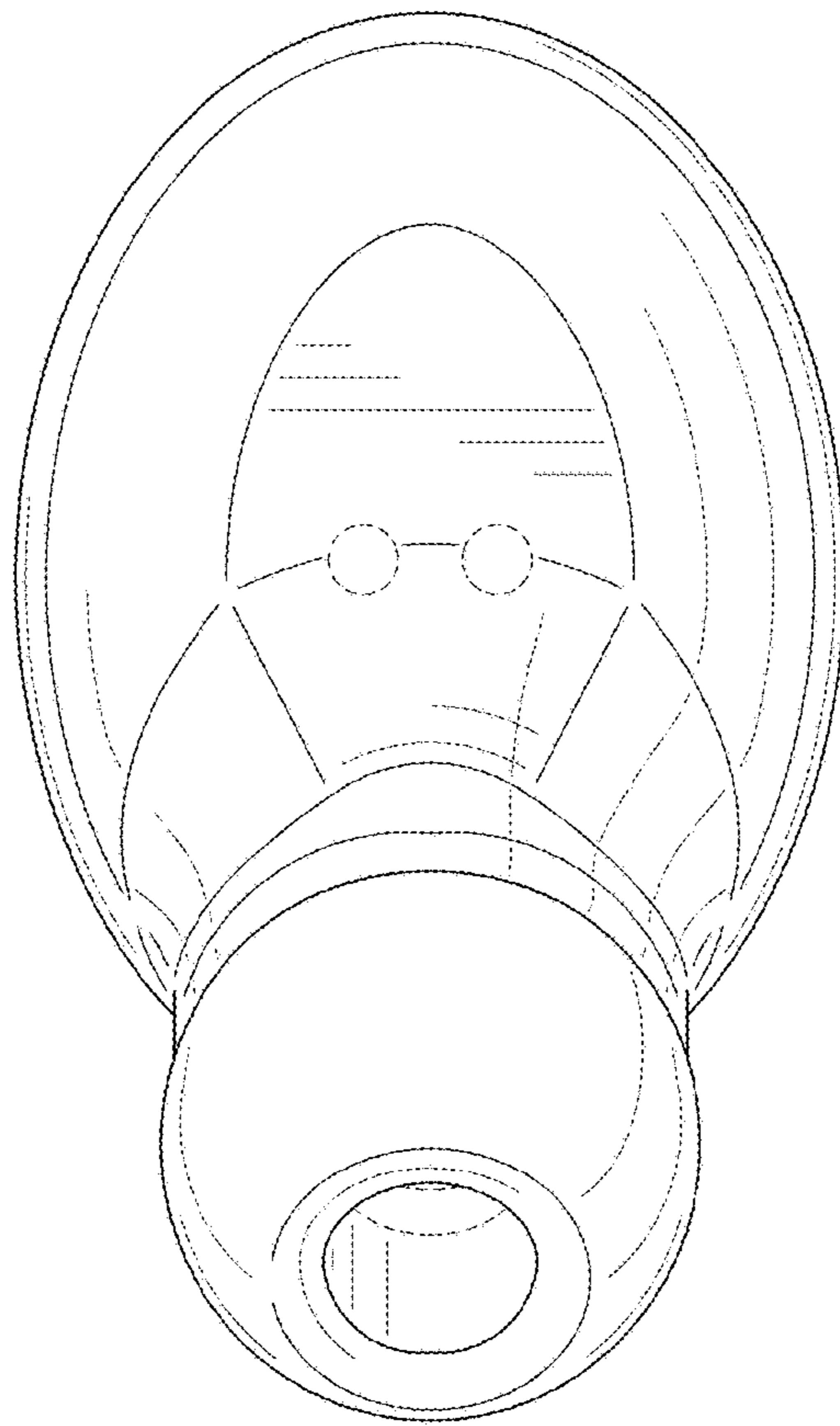


FIG. 7

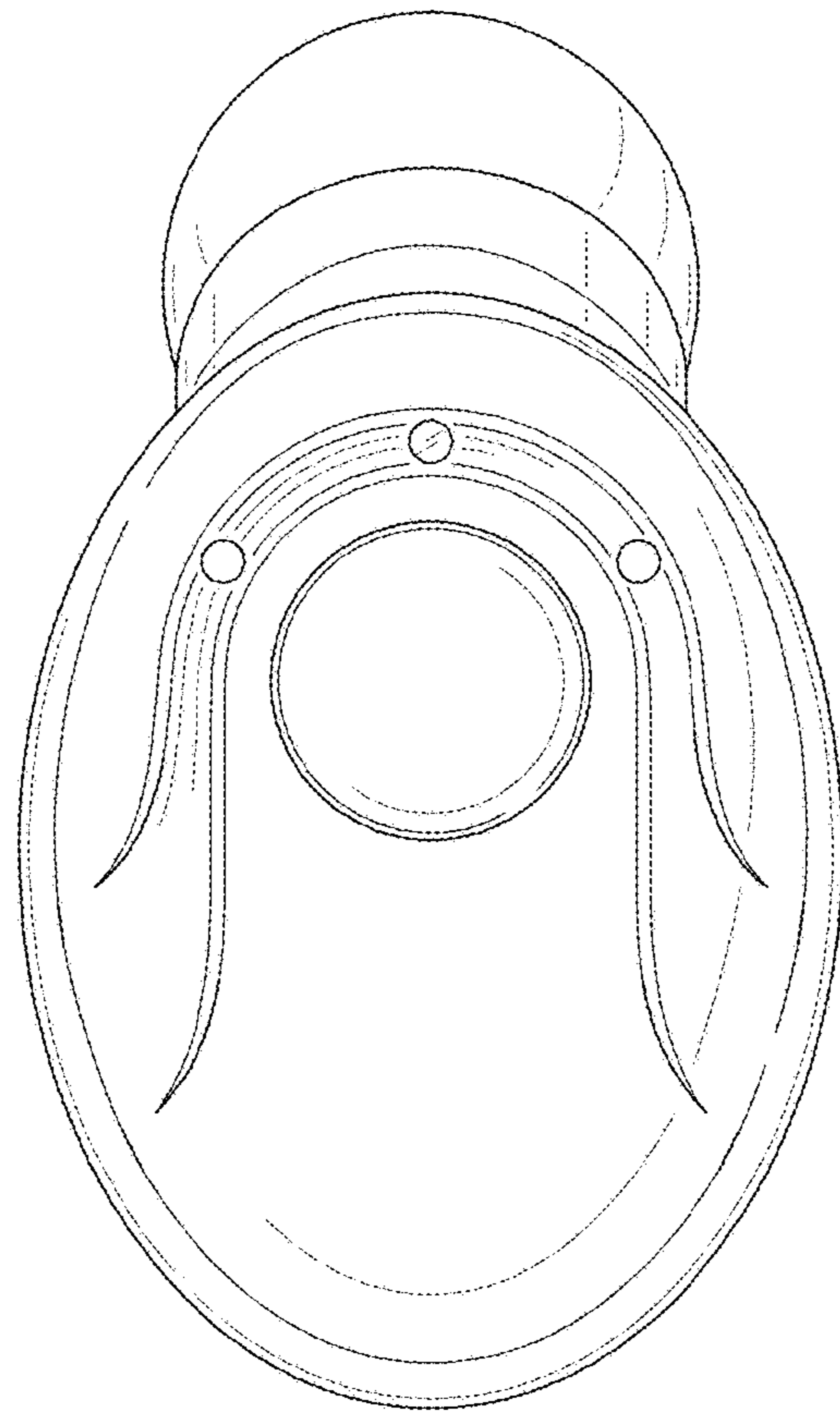


FIG. 8