



US00D858488S

(12) **United States Design Patent**
Zheng

(10) **Patent No.:** **US D858,488 S**

(45) **Date of Patent:** **** Sep. 3, 2019**

(54) **PAIR OF BLUETOOTH HEADPHONES**

(71) Applicant: **SHENZHEN CHENGGUANGHE ELECTRONIC CO., LTD.**, Shenzhen, Guangdong (CN)

(72) Inventor: **Bin Zheng**, Shenzhen (CN)

(73) Assignee: **SHENZHEN SABBAT TECHNOLOGY DEVELOPMENT CO., LTD.**, Shenzhen, Guangdong (CN)

(**) Term: **15 Years**

(21) Appl. No.: **29/613,068**

(22) Filed: **Aug. 7, 2017**

(51) **LOC (12) Cl.** **14-01**

(52) **U.S. Cl.**
USPC **D14/223**

(58) **Field of Classification Search**
USPC D14/204, 205, 206, 223, 224, 225, 249, D14/372, 433, 138 R, 188, 192, 172, D14/203.1, 191, 496; D29/112; D28/41; D2/875; D24/174, 173, 106; D8/330, D8/341; D13/118
CPC H04R 25/02; H04R 25/00; H04R 1/10; H04R 1/1016; H04R 1/105; H04R 1/1083; H04R 1/02; H04R 1/1041; H04R 1/28; H04R 5/033; H04R 2420/07; H04R 2430/00; H04R 2430/01

See application file for complete search history.

(56) **References Cited**

U.S. PATENT DOCUMENTS

2,403,418 A * 7/1946 Volkmann H04R 1/1008
181/129
D579,006 S * 10/2008 Kim D14/223
D603,380 S * 11/2009 Hutchieson D14/223
D622,265 S * 8/2010 Rye D14/223
D637,999 S * 5/2011 Brunner D14/205
7,965,855 B1 * 6/2011 Ham H04R 1/1091
181/130

D657,776 S * 4/2012 Lee D14/205
D666,581 S * 9/2012 Perez D14/223
D691,580 S * 10/2013 Cho D14/205
D698,760 S * 2/2014 Lee D14/223
D699,226 S * 2/2014 Yoon D14/206
D700,167 S * 2/2014 Hardi D14/205
D715,777 S * 10/2014 Huang D14/223

(Continued)

FOREIGN PATENT DOCUMENTS

CN 303207415 * 5/2015
CN 303655056 * 11/2015

(Continued)

OTHER PUBLICATIONS

TWS-X11 Earbud Wireless Headphones, published Oct. 24, 2017 [online], [retrieved Dec. 6, 2018], Available from Internet, URL: <https://www.lightinthebox.com/en/p/tws-x11-wireless-mini-binaural-stereo-bluetooth-headset-unique-android-apple-mobile-phone-charging-bin-capsule_p6006932.html>.*

Primary Examiner — Barbara Fox

Assistant Examiner — Mary C Ramirez

(74) *Attorney, Agent, or Firm* — Lucas & Mercanti, LLP

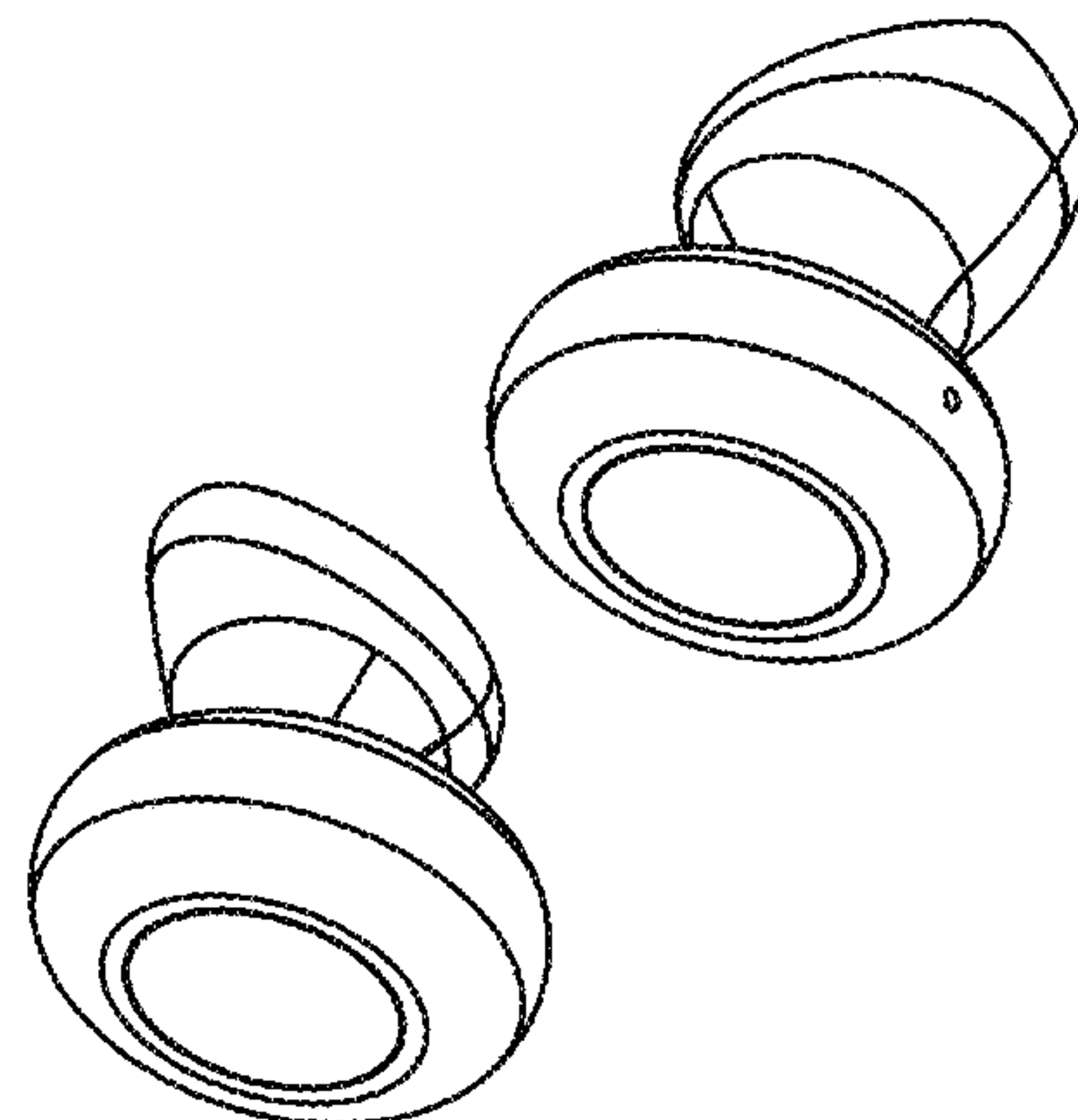
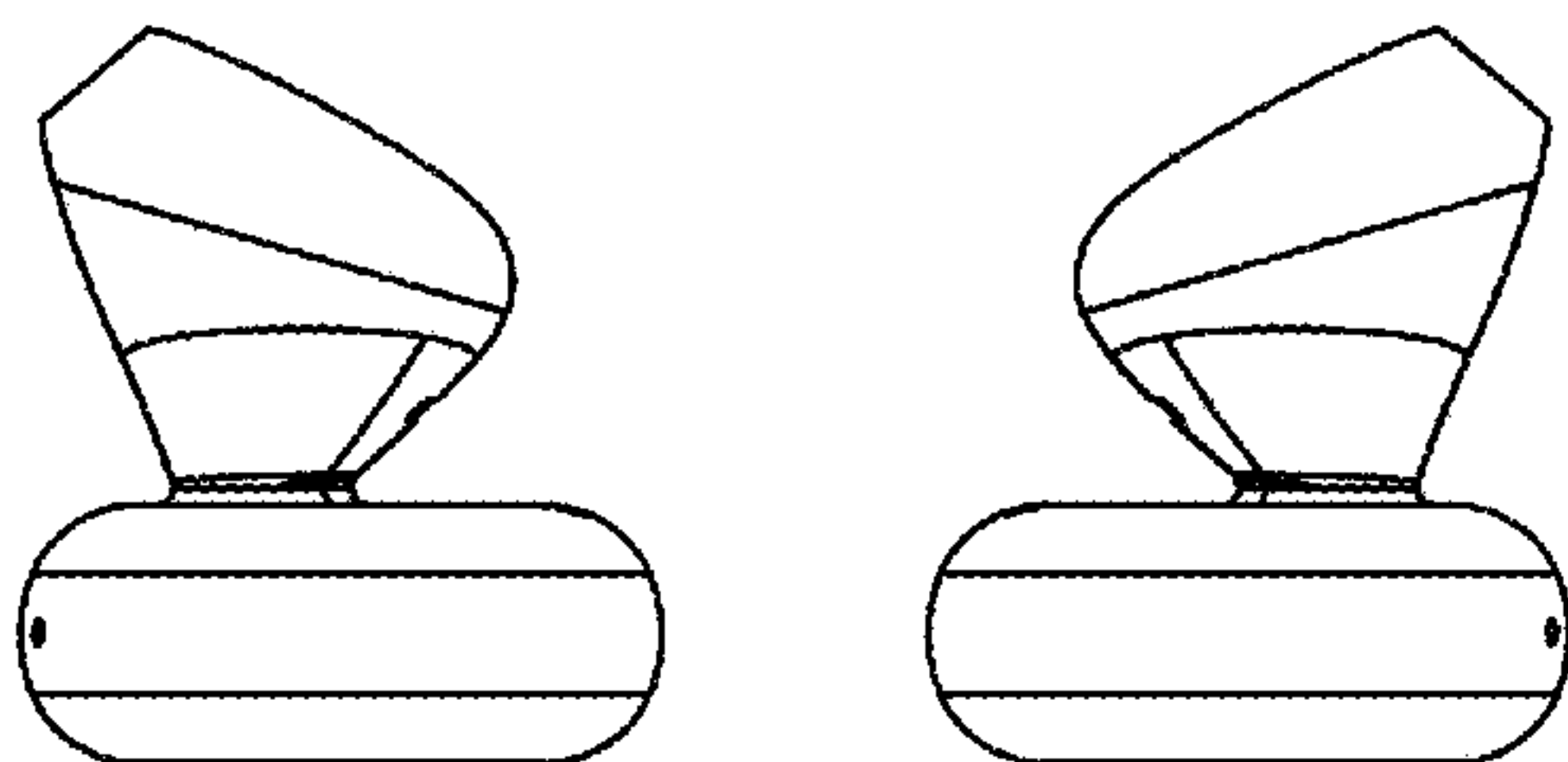
(57) **CLAIM**

The ornamental design for a pair of bluetooth headphones, as shown and described.

DESCRIPTION

FIG. 1 is a front view of a pair of bluetooth headphones showing my new design;
FIG. 2 is a rear view thereof;
FIG. 3 is a left view thereof;
FIG. 4 is a right view thereof;
FIG. 5 is a top view thereof;
FIG. 6 is a bottom view thereof; and,
FIG. 7 is a perspective view thereof.

1 Claim, 7 Drawing Sheets



(56)

References Cited

U.S. PATENT DOCUMENTS

D717,767 S * 11/2014 Mistry D14/206
 D727,871 S * 4/2015 Orbach D14/205
 D730,876 S * 6/2015 Dahlberg D14/223
 D746,792 S * 1/2016 Kim D14/205
 D755,158 S * 5/2016 Lee D14/205
 D755,759 S * 5/2016 Cai D14/223
 D757,682 S * 5/2016 Perez D14/205
 9,445,176 B1 * 9/2016 Yeh H04R 1/1016
 D770,425 S * 11/2016 Son D14/205
 D773,439 S * 12/2016 Walker D14/205
 D806,879 S * 1/2018 Horbinski D24/174
 D813,206 S * 3/2018 Tang D14/223
 D813,848 S * 3/2018 Palmberg D14/223
 D826,211 S * 8/2018 Kim D14/206
 D841,626 S * 2/2019 Tang D14/223
 2006/0281502 A1 * 12/2006 Chang H04R 1/1033
 455/575.2

2009/0103764 A1 * 4/2009 Stiehl B29C 45/0025
 381/380
 2013/0343595 A1 * 12/2013 Zorkendorfer H04R 1/10
 381/380
 2014/0198940 A1 * 7/2014 Lin H04R 1/2807
 381/345
 2015/0023542 A1 * 1/2015 Shimizu H04R 1/1075
 381/380
 2018/0035192 A1 * 2/2018 Houle H04R 1/1016
 2018/0270558 A1 * 9/2018 Ring H04R 1/1016

FOREIGN PATENT DOCUMENTS

CN 303815853 * 3/2016
 CN 303755429 * 4/2016
 CN 303862762 * 6/2016
 CN 304020370 * 9/2016
 CN 304168013 * 12/2016
 CN 304200832 * 12/2016
 CN 304206117 * 2/2017

* cited by examiner

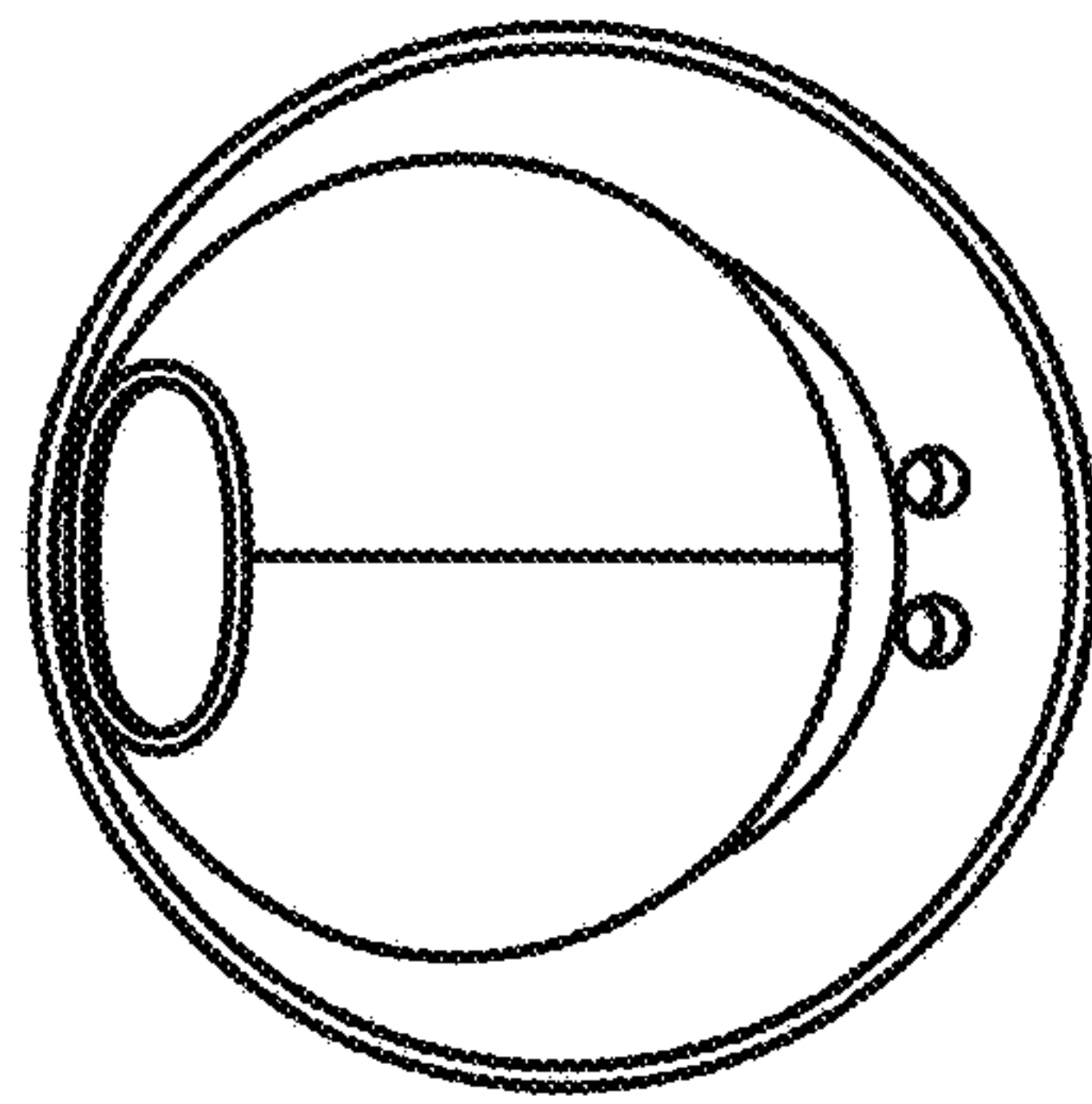
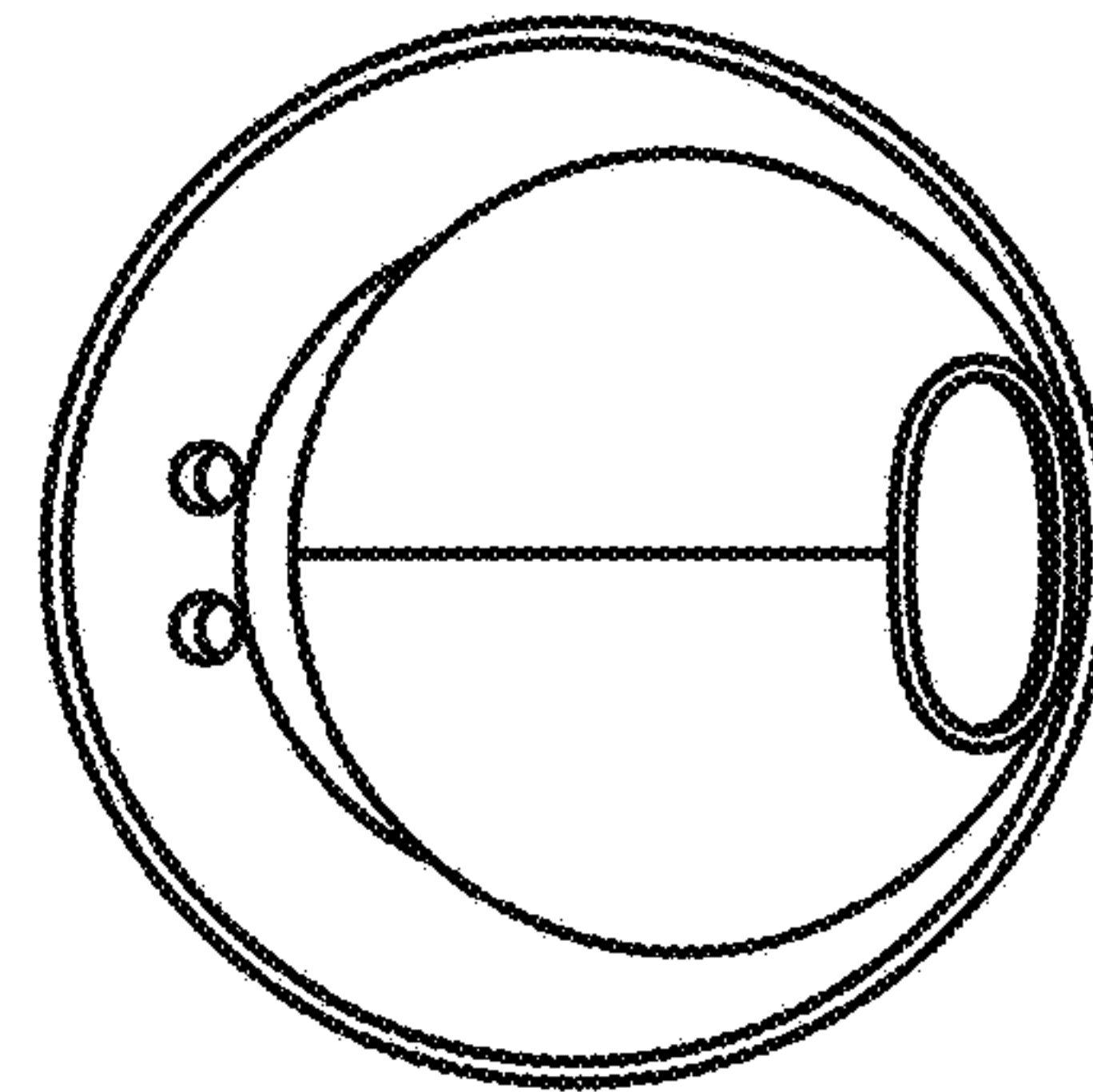


FIG. 1



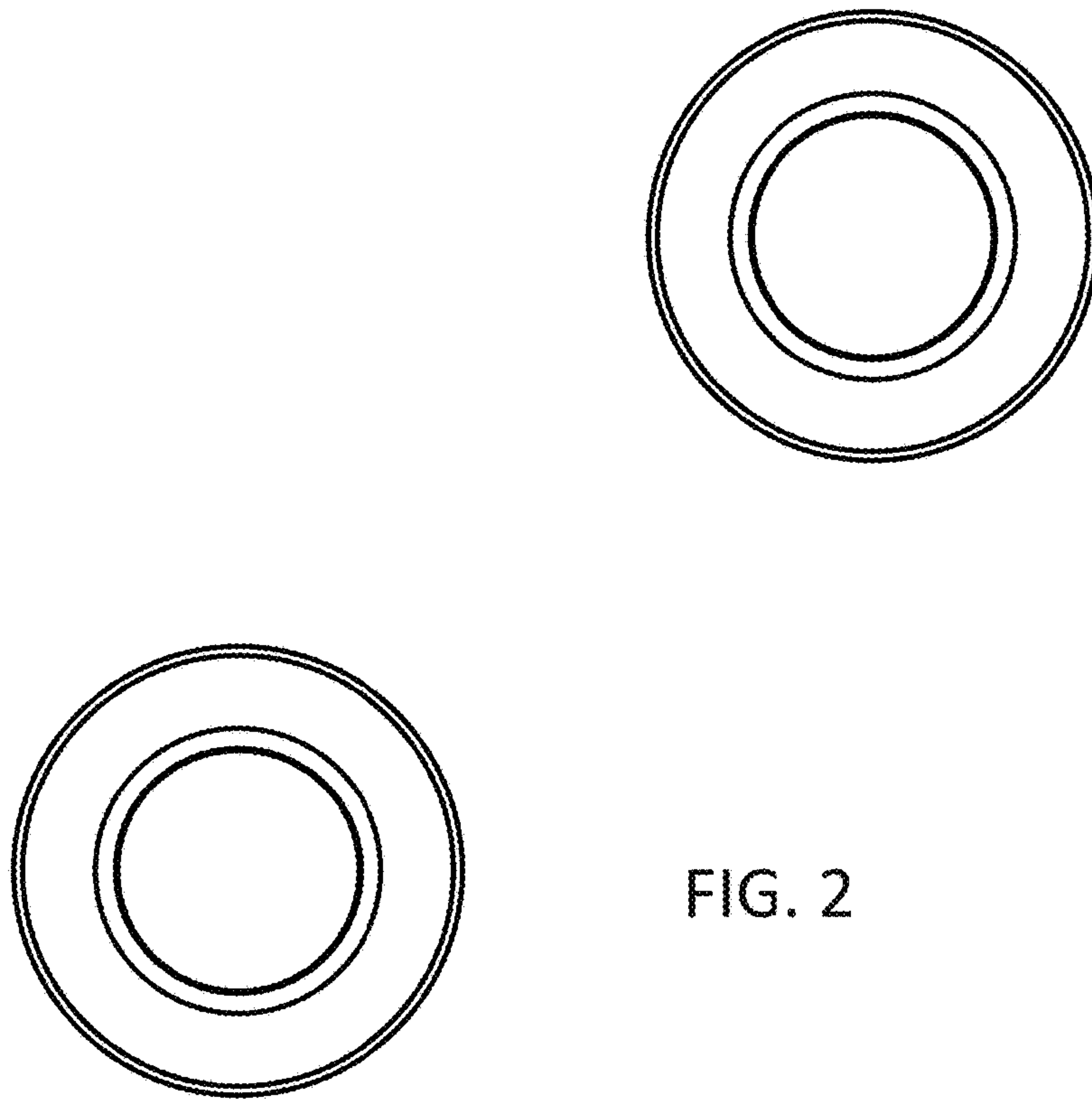


FIG. 2

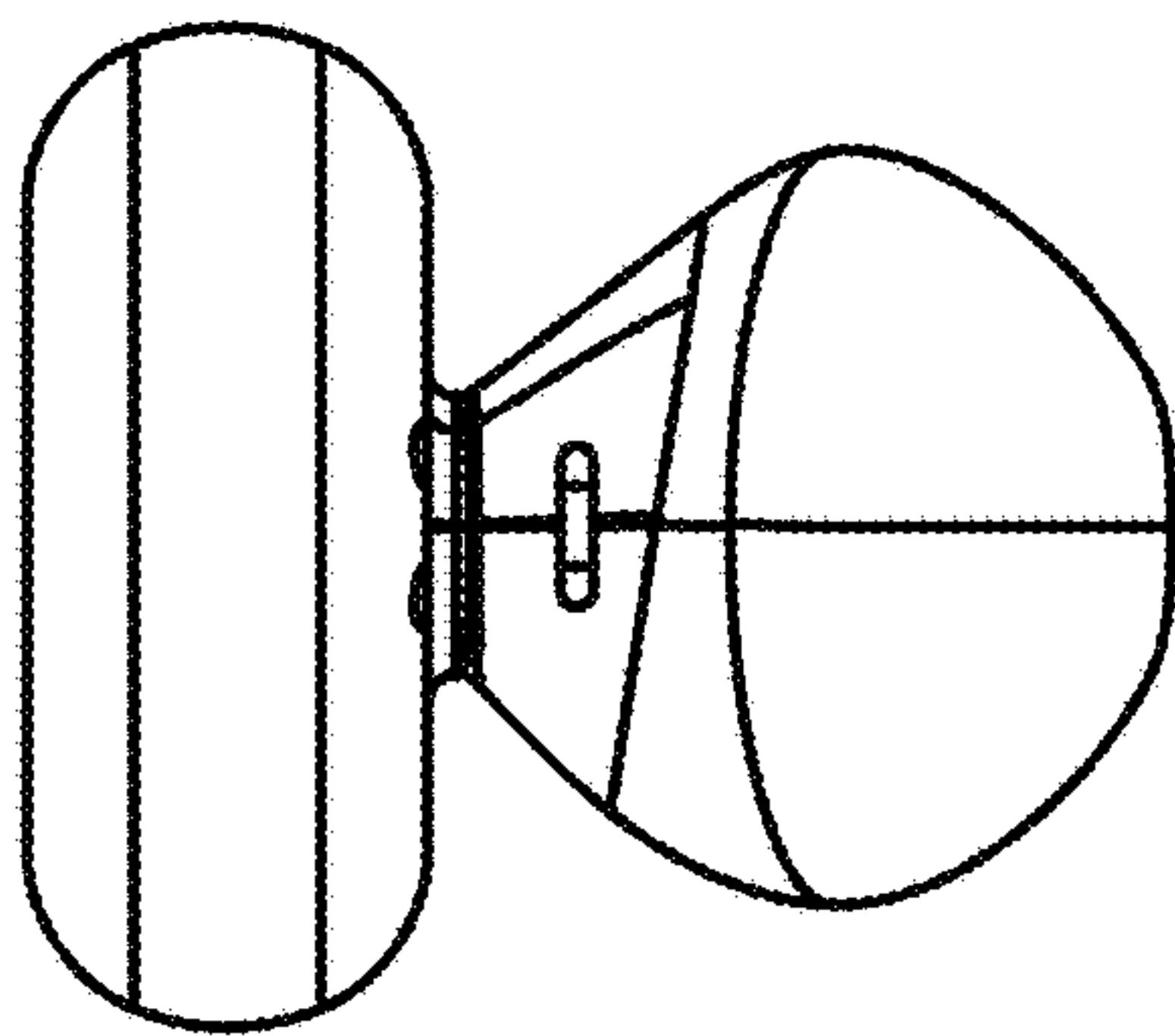
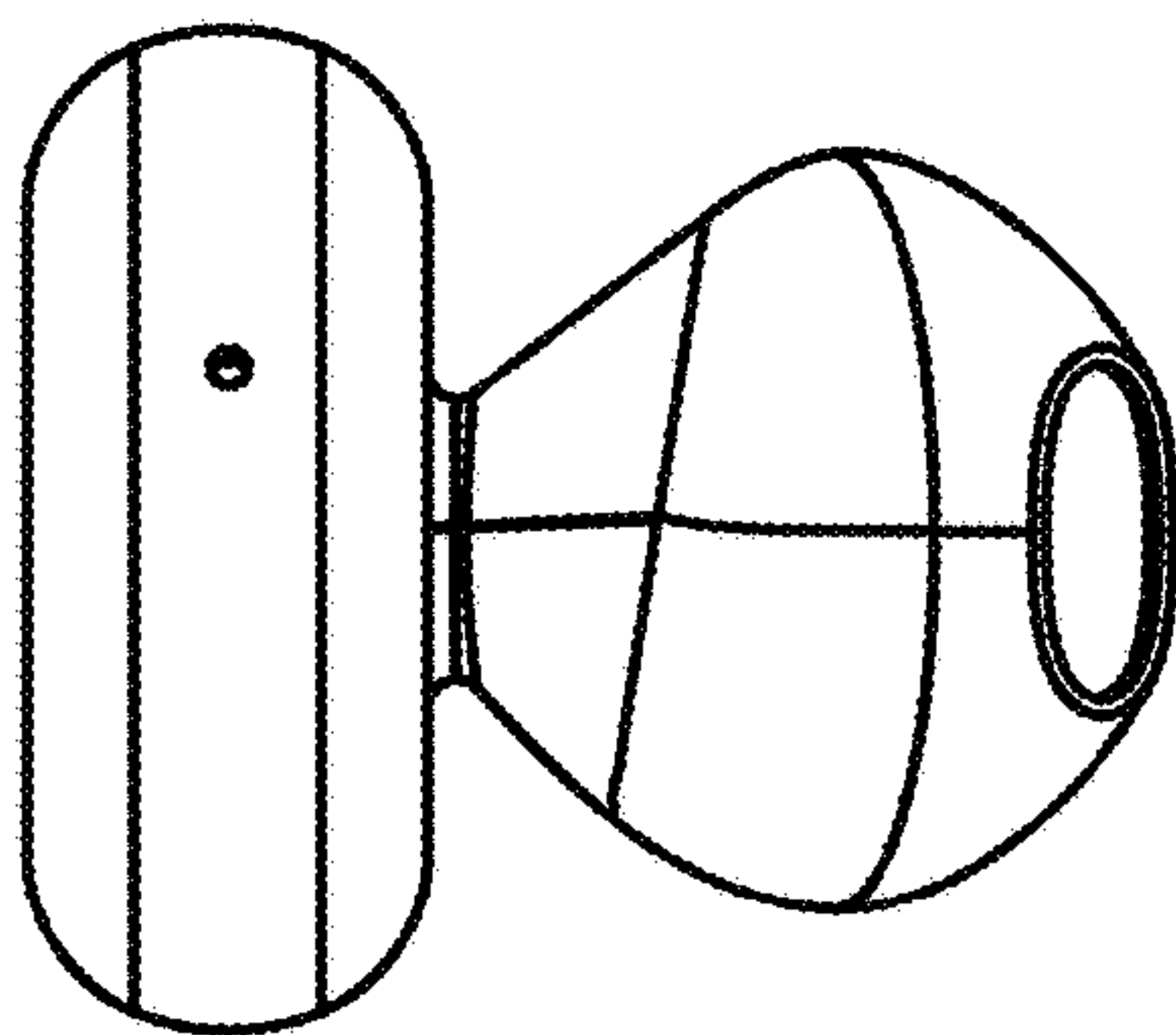


FIG. 3

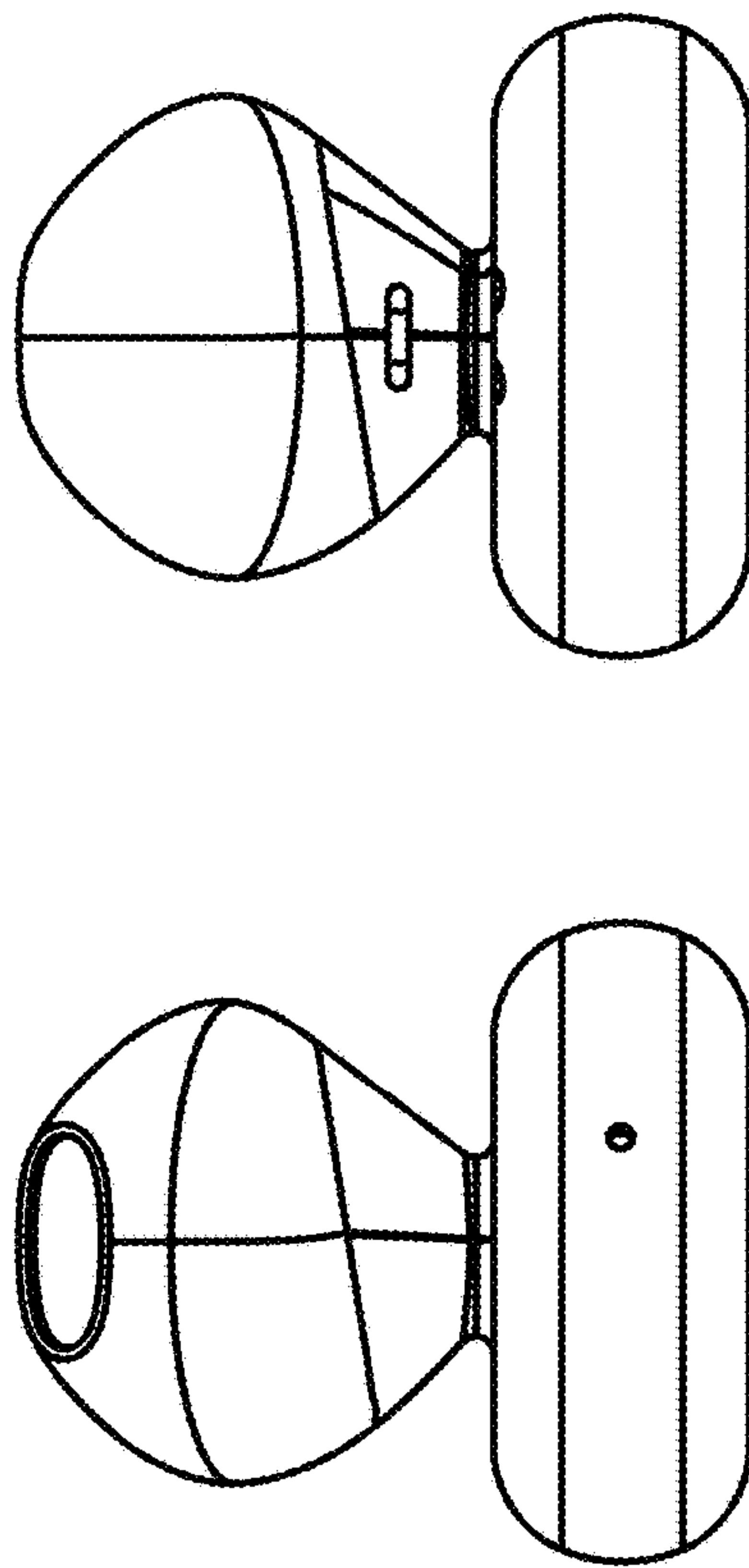


FIG. 4

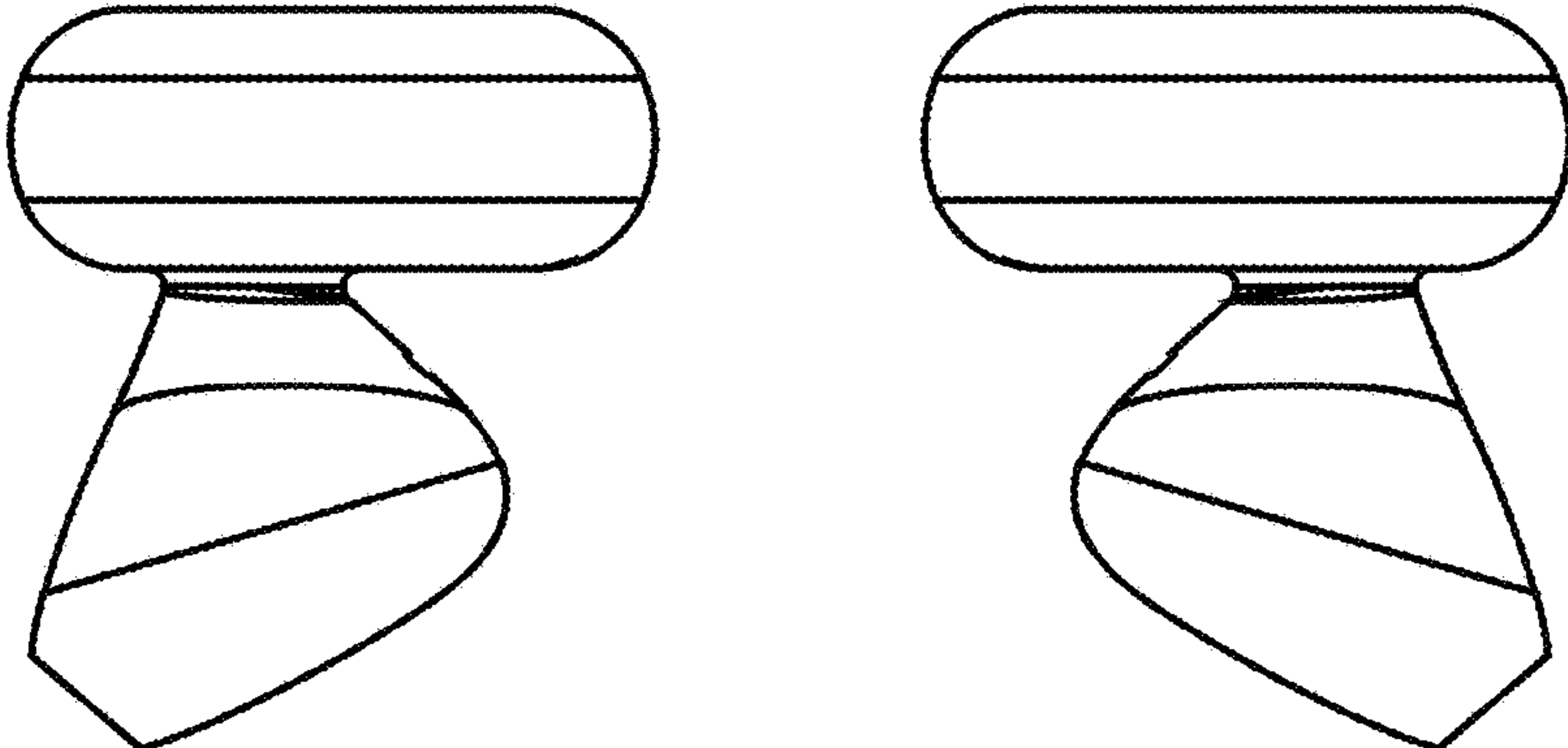


FIG. 5

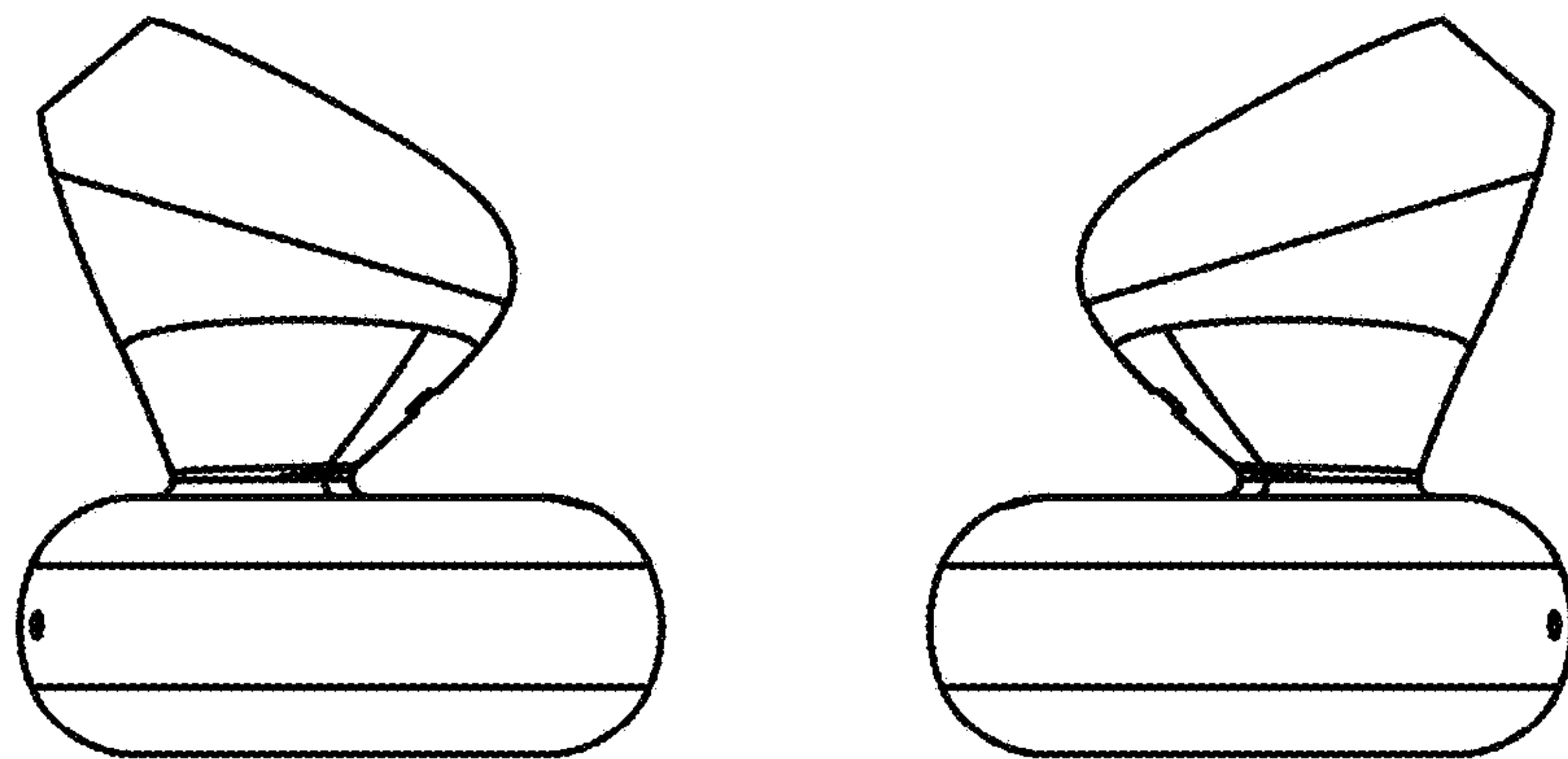


FIG. 6

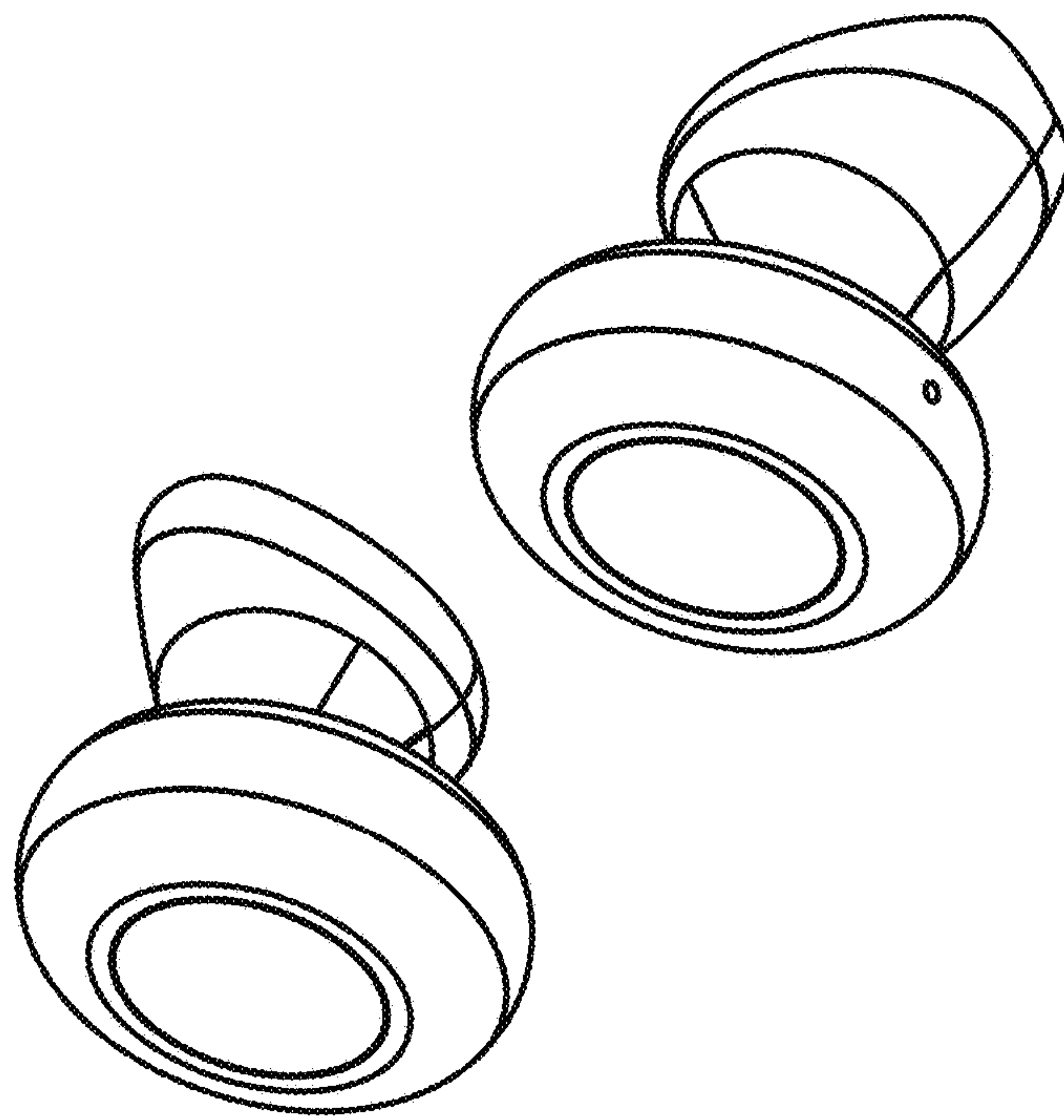


FIG. 7

UNITED STATES PATENT AND TRADEMARK OFFICE
CERTIFICATE OF CORRECTION

PATENT NO. : D858,488 S
APPLICATION NO. : 29/613068
DATED : September 3, 2019
INVENTOR(S) : Bin Zheng

Page 1 of 1

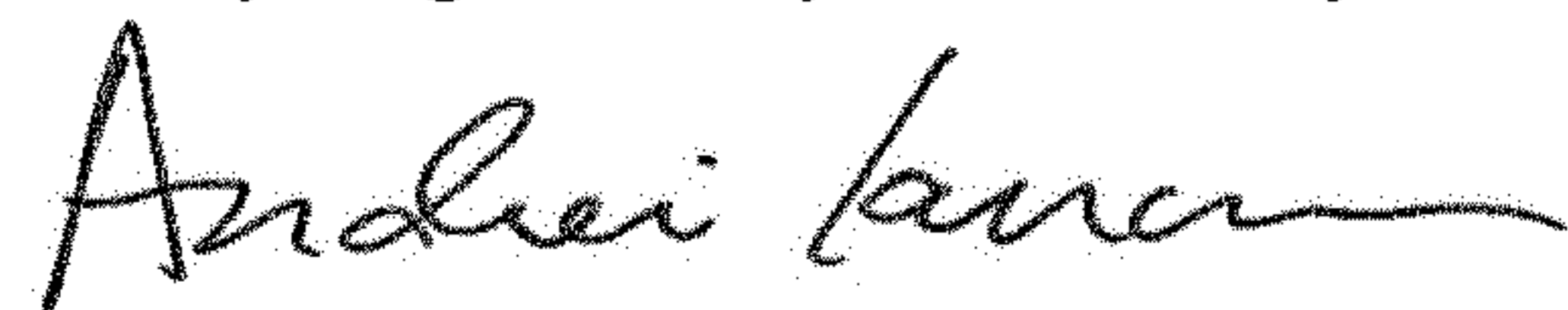
It is certified that error appears in the above-identified patent and that said Letters Patent is hereby corrected as shown below:

On the Title Page

Column 1, in item [71]:

“SHENZHEN CHENGGUANCHE ELECTRONIC CO., LTD.” should read -- SANZHEN SABBAT
TECHNOLOGY DEVELOPMENT CO., LTD. --

Signed and Sealed this
Twenty-eighth Day of January, 2020



Andrei Iancu
Director of the United States Patent and Trademark Office