



US00D858487S

(12) **United States Design Patent** (10) **Patent No.:** **US D858,487 S**  
**Proni et al.** (45) **Date of Patent:** **\*\* Sep. 3, 2019**

(54) **LOUDSPEAKER GRILL ASSEMBLY**

(71) Applicants: **Lucio Proni**, Weston, FL (US);  
**Dwayne Spanbroek**, Boca Raton, FL (US); **Carlos A. Gomez**, Pembroke Pines, FL (US); **Weihua Ge**, Plantation, FL (US)

(72) Inventors: **Lucio Proni**, Weston, FL (US);  
**Dwayne Spanbroek**, Boca Raton, FL (US); **Carlos A. Gomez**, Pembroke Pines, FL (US); **Weihua Ge**, Plantation, FL (US)

(73) Assignee: **JL Audio, Inc.**, Miramar, FL (US)

(\*\*) Term: **15 Years**

(21) Appl. No.: **29/645,347**

(22) Filed: **Apr. 25, 2018**

(51) **LOC (12) Cl.** ..... **14-01**

(52) **U.S. Cl.**  
USPC ..... **D14/219**

(58) **Field of Classification Search**  
USPC ... D14/141.1, 159, 218, 219, 220, 221, 222, D14/223, 224, 224.1, 225, 227, 228, 229, D14/259, 341, 344, 345, 299  
CPC . H04R 1/00; H04R 1/02; H04R 1/326; H04R 1/406; H04R 1/083; H04R 1/222; H04R 1/1041; H04R 1/023; H04R 7/00; H04R 7/20; H04R 27/00; H04R 2201/00; H04R 2400/00; H04R 17/02; H04R 29/004; H04R 29/005; H04R 19/04; H04R 2420/07; H04R 2410/00; H04R 2410/01; H04R 5/02; G02B 27/01

See application file for complete search history.

(56) **References Cited**

**U.S. PATENT DOCUMENTS**

D368,885 S \* 4/1996 Wagner ..... D12/209  
D506,993 S \* 7/2005 Suzuki ..... D14/221

D514,999 S \* 2/2006 Boyer ..... D12/209  
D522,497 S \* 6/2006 Morisawa ..... D14/221  
D526,310 S \* 8/2006 Pantaleone ..... D14/221  
D535,979 S \* 1/2007 Shing ..... D14/219  
D570,336 S \* 6/2008 Suzuki ..... D14/224  
D572,240 S \* 7/2008 Nakane ..... D14/219  
D593,073 S \* 5/2009 Kurihara ..... D14/216  
D644,634 S \* 9/2011 Cywan ..... D14/224  
D691,595 S \* 10/2013 Fuller ..... D14/224  
D691,598 S \* 10/2013 Fuller ..... D14/224

(Continued)

**OTHER PUBLICATIONS**

Wet Sounds XS-65ic-B XS Series Black Cone 6.5" Coax open grille, posted © 2019 [online], retrieved Feb. 27, 2019, retrieved from internet, <\*

(Continued)

*Primary Examiner* — Barbara Fox

*Assistant Examiner* — Messina L Smith

(74) *Attorney, Agent, or Firm* — GrayRobinson, P.A.;  
Thomas L. Kautz

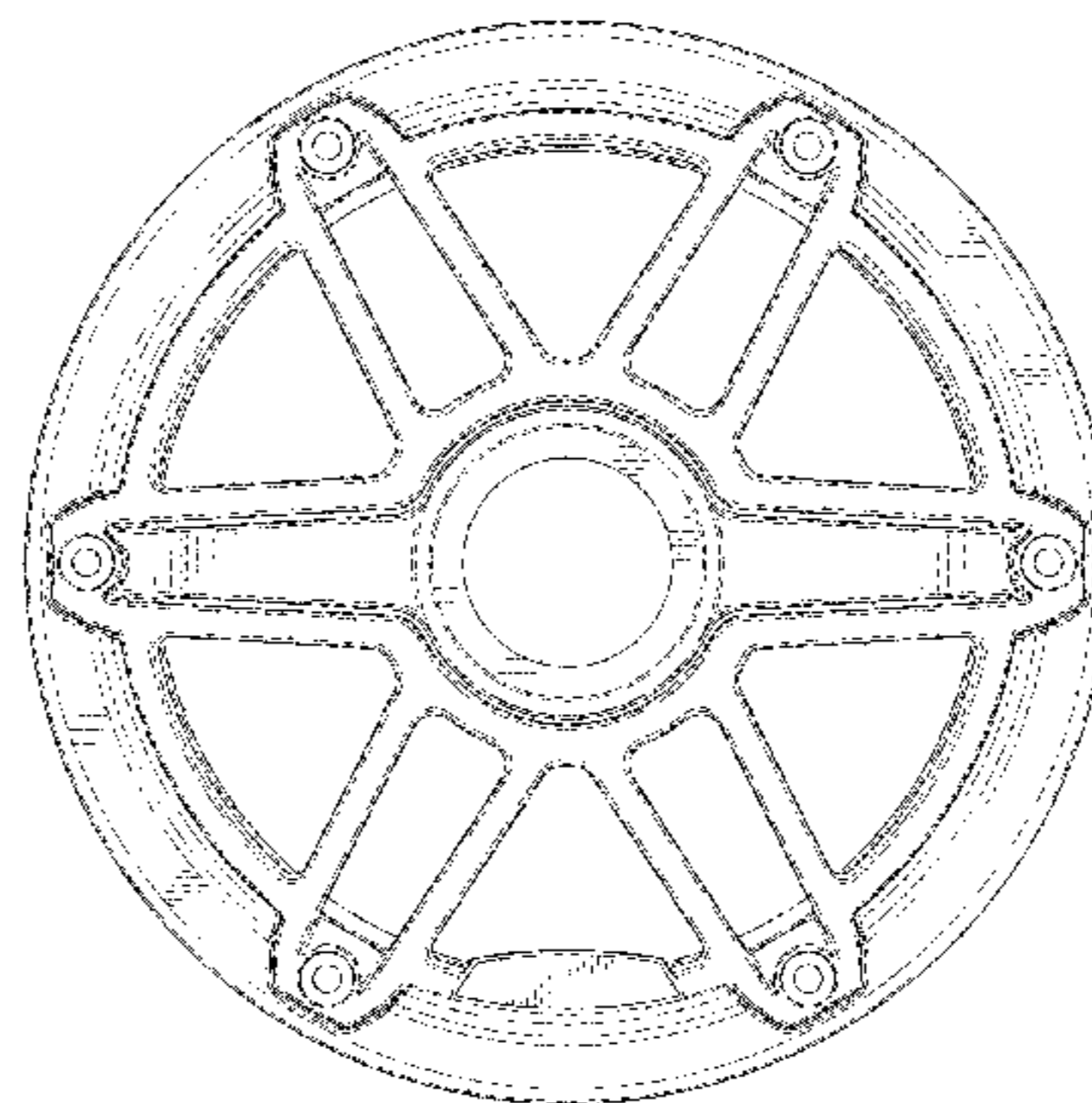
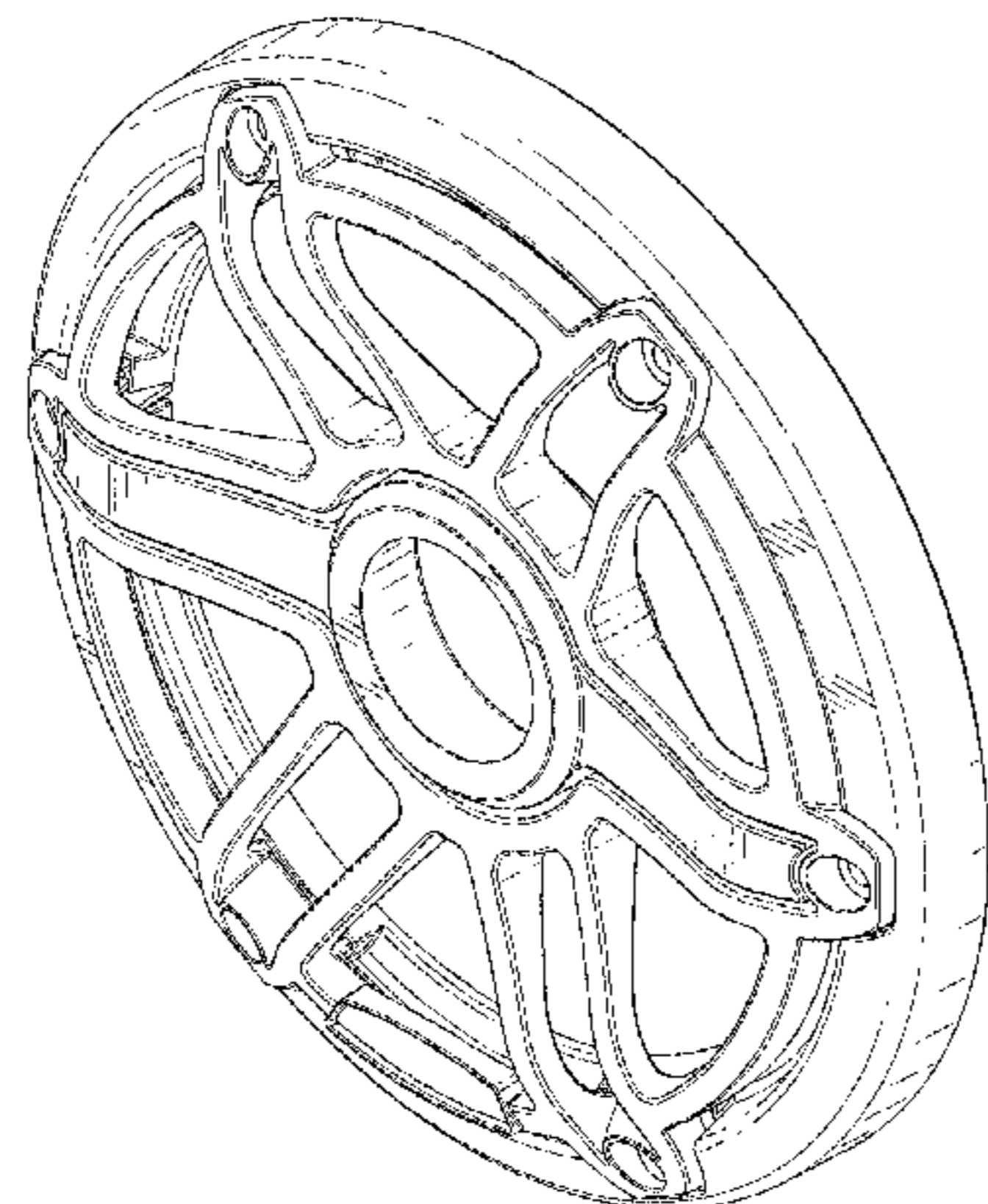
(57) **CLAIM**

The ornamental design for a loudspeaker grill assembly, as shown and described.

**DESCRIPTION**

FIG. 1 is a front perspective view of a loudspeaker grill assembly showing our new design; FIG. 2 is a front elevational view thereof; FIG. 3 is a rear elevational view thereof; FIG. 4 is a left elevational view thereof; FIG. 5 is a right elevational view thereof; FIG. 6 is a top plan view thereof; and, FIG. 7 is a bottom plan view thereof. The broken lines in the drawings depict portions of the loudspeaker grill assembly that form no part of the claimed design.

**1 Claim, 7 Drawing Sheets**



(56)

References Cited

U.S. PATENT DOCUMENTS

D725,083 S \* 3/2015 Lau ..... D14/224  
 D738,865 S \* 9/2015 Moon ..... D14/211  
 D741,841 S \* 10/2015 Fuller ..... D14/224  
 D804,454 S \* 12/2017 Katsuno ..... D14/222  
 D808,935 S \* 1/2018 Bullimore ..... D14/224  
 D810,050 S \* 2/2018 Uemoto ..... D14/216  
 9,908,364 B2 \* 3/2018 Haynes ..... B60B 7/068  
 D833,421 S \* 11/2018 Telle ..... D14/224  
 10,123,125 B1 \* 11/2018 Proni ..... H04R 9/06  
 2008/0116736 A1 \* 5/2008 Freeman ..... B60B 7/20  
 301/37.25  
 2010/0127559 A1 \* 5/2010 Racicot ..... B60B 3/16  
 301/37.101  
 2010/0279579 A1 \* 11/2010 Michelsen ..... A63H 33/18  
 446/46  
 2018/0184183 A1 \* 6/2018 Kaplan ..... H04R 1/023

OTHER PUBLICATIONS

JL Audio Releases New M6 High-Performance Marine Loudspeakers, posted Feb. 13, 2019 [online], retrieved Feb. 27, 2019, retrieved from internet, <<http://www.jlaudio.com/header/News/Press+Releases/JL+Audio+Releases+New+M6+High-Performance+Marine+Loudspeakers/17166071>>.\*  
 Marine Coaxial Speakers, no posting date given [online], retrieved Feb. 27, 2019, retrieved from internet, <<https://www.westmarine.com/buy/jl-audio-m6-650x-s-gw-gw-i-6-5-marine-coaxial-speakers-white-sport-grilles-with-rgb-led-lighting--19432830>>.\*  
 JL Audio 2-Way Marine Cockpit Coaxial MX Series Speaker, posted Dec. 12, 2012 [online], retrieved Feb. 27, 2019, retrieved from internet, <[https://www.amazon.com/MX770-CCX-SG-WH-Marine-Cockpit-Coaxial-Speakers/dp/B0085432XU/ref=sr\\_1\\_24?keywords=JL+AUDIO&qid=1551295707&s=gateway&sr=8-24](https://www.amazon.com/MX770-CCX-SG-WH-Marine-Cockpit-Coaxial-Speakers/dp/B0085432XU/ref=sr_1_24?keywords=JL+AUDIO&qid=1551295707&s=gateway&sr=8-24)>.\*

\* cited by examiner

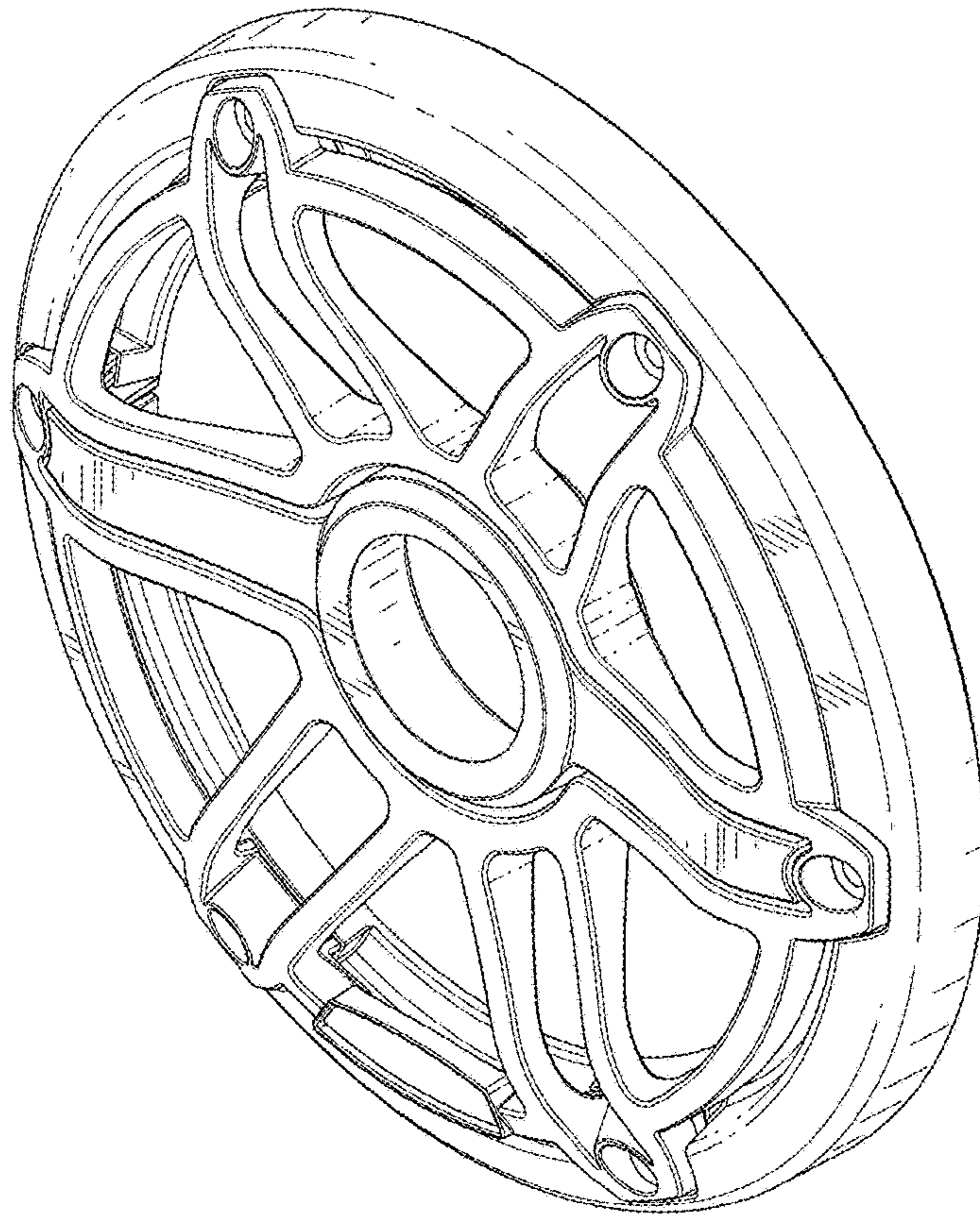


FIG. 1



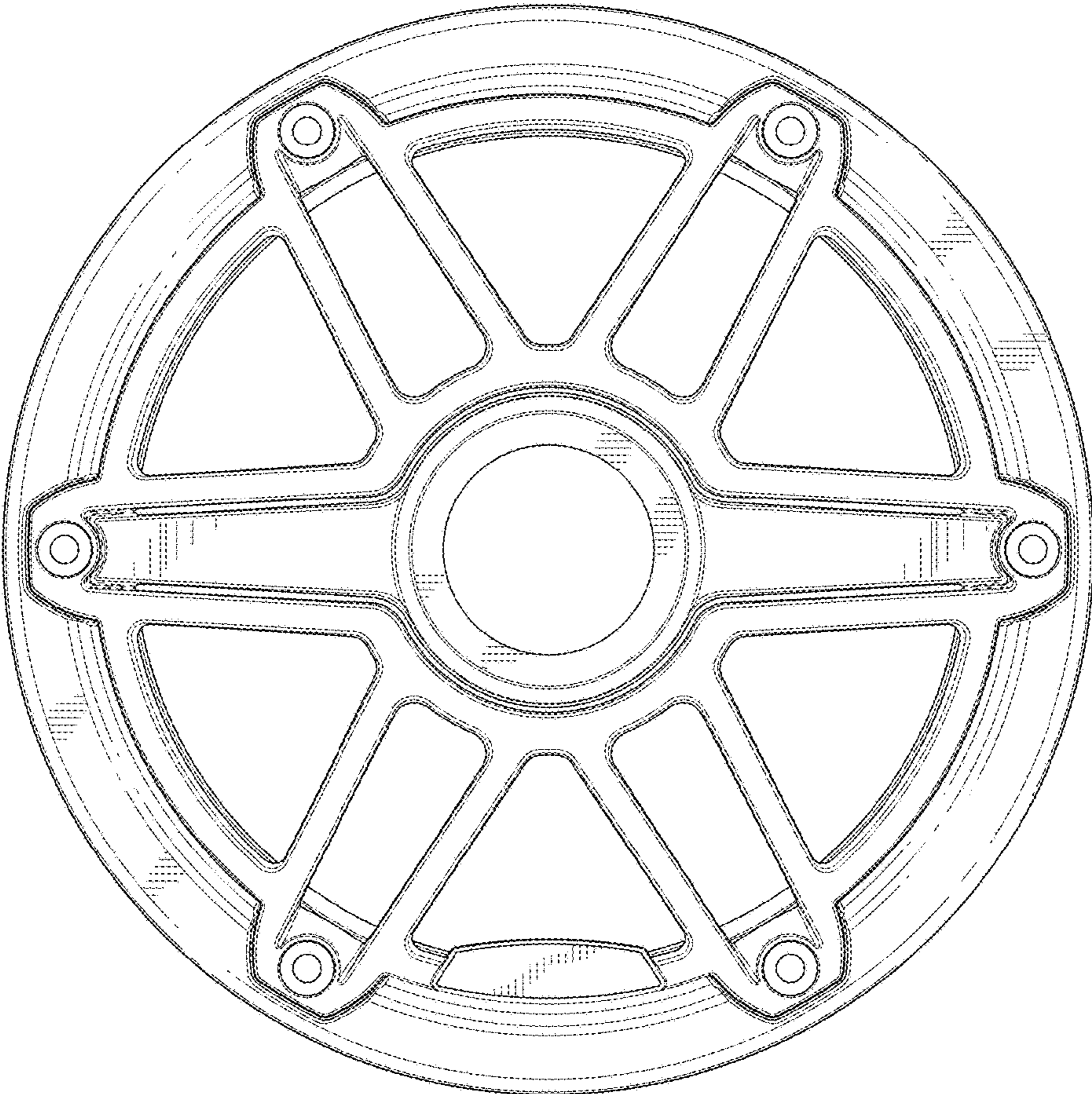


FIG. 2

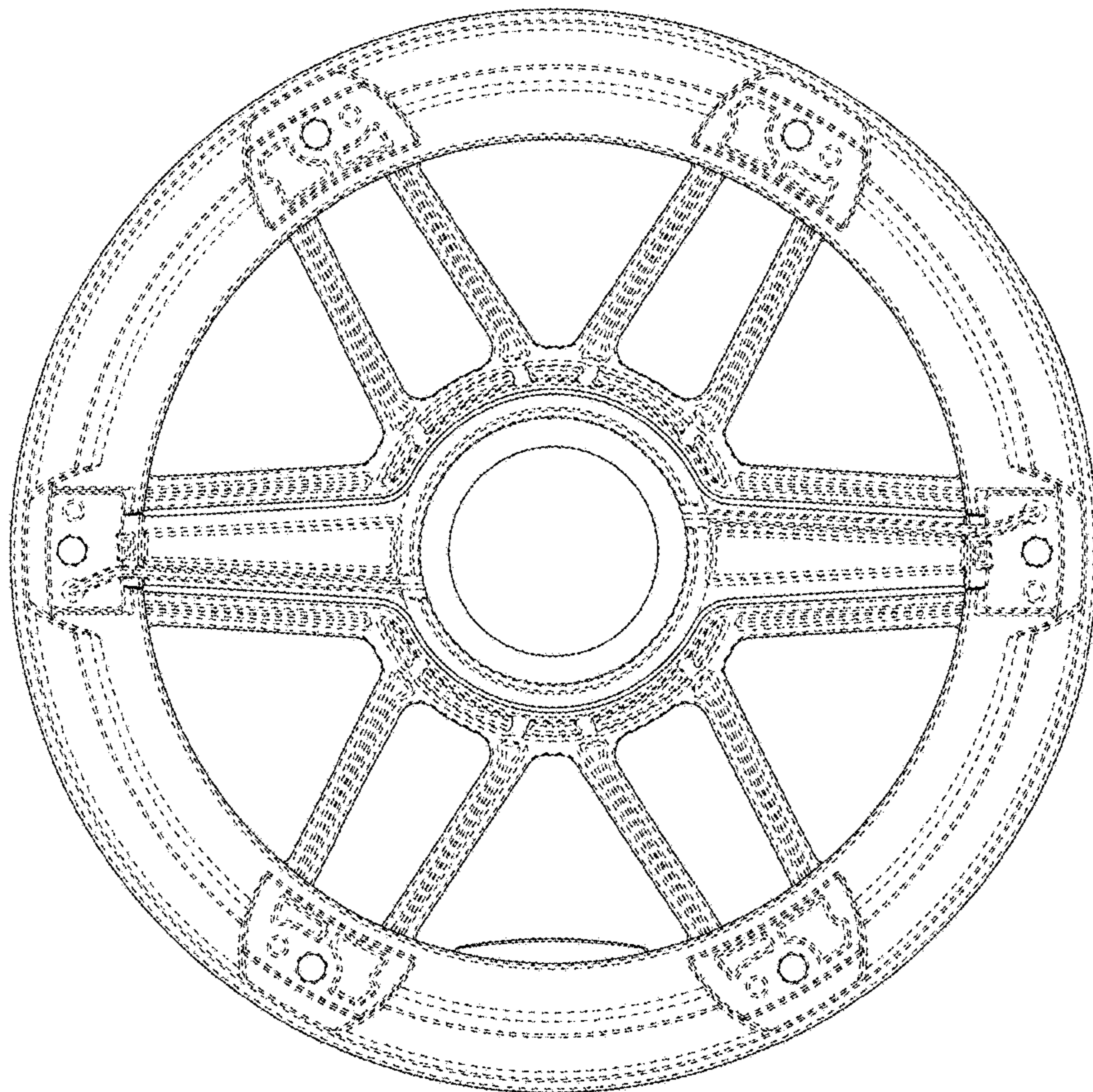


FIG. 3



FIG.4

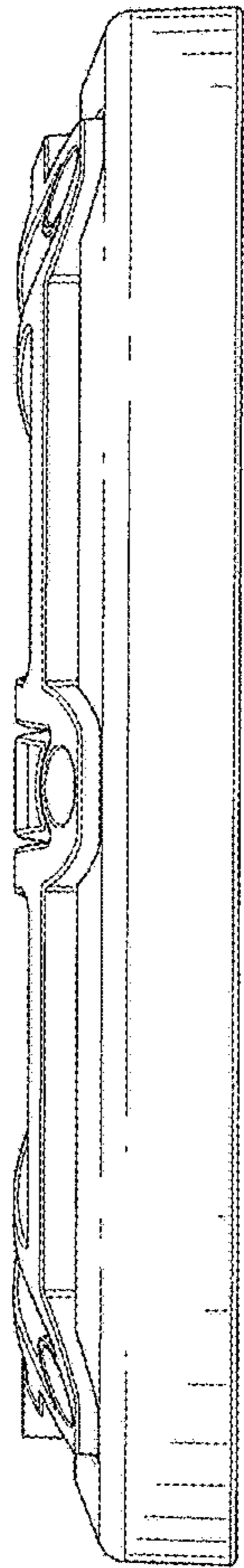


FIG. 5

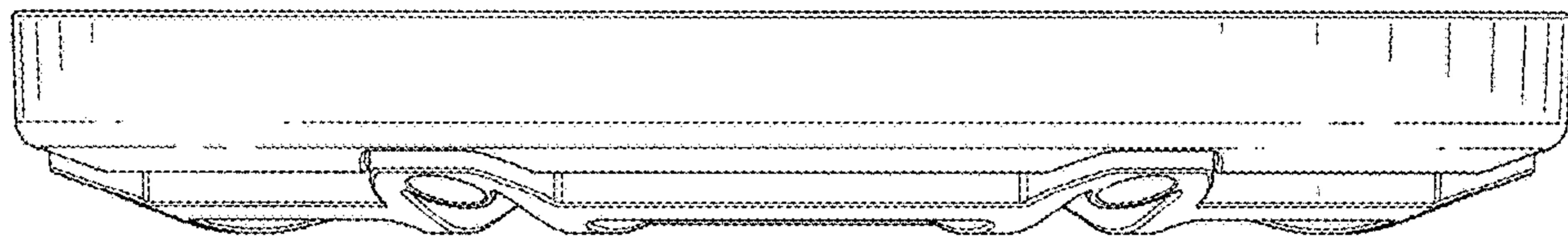


FIG.6



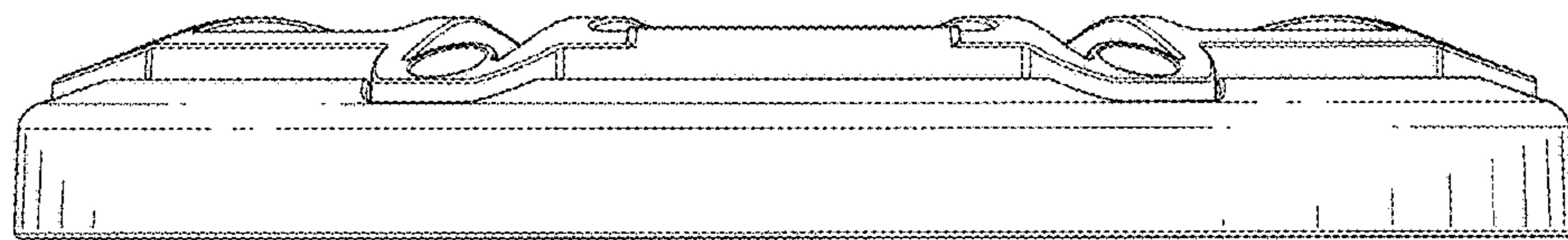


FIG. 7