



US00D858486S

(12) **United States Design Patent** (10) **Patent No.:** **US D858,486 S**  
**Biddle** (45) **Date of Patent:** **\*\* Sep. 3, 2019**

(54) **REMOTE CONTROL**

(71) Applicant: **Amazon Technologies, Inc.**, Seattle, WA (US)

(72) Inventor: **Jonathan Howard Biddle**, San Francisco, CA (US)

(73) Assignee: **Amazon Technologies, Inc.**, Seattle, WA (US)

(\*\*) Term: **15 Years**

(21) Appl. No.: **29/641,357**

(22) Filed: **Mar. 21, 2018**

(51) **LOC (12) Cl.** ..... **14-03**

(52) **U.S. Cl.**  
USPC ..... **D14/218**

(58) **Field of Classification Search**  
USPC ..... D14/218; D13/168  
CPC ..... G09G 5/00; G06F 3/033  
See application file for complete search history.

(56) **References Cited**

**U.S. PATENT DOCUMENTS**

D298,941 S	*	12/1988	Ennio	.....	D14/218
D314,384 S	*	2/1991	Hafner	.....	D14/218
D568,299 S	*	5/2008	Tuli	.....	D14/218
D573,957 S	*	7/2008	Ledbetter	.....	D13/168
D620,456 S	*	7/2010	Akana	.....	D13/168
D628,985 S	*	12/2010	VanDuy	.....	D14/218
D654,476 S	*	2/2012	Weitgasser	.....	D14/218
D654,477 S	*	2/2012	Weitgasser	.....	D14/218
D661,691 S	*	6/2012	Weitgasser	.....	D14/218
D663,721 S	*	7/2012	McManigal	.....	D14/218
D669,885 S	*	10/2012	Kim	.....	D14/218
D672,321 S	*	12/2012	Park	.....	D13/168
D691,987 S	*	10/2013	Peh	.....	D14/218
D697,056 S	*	1/2014	McManigal	.....	D14/218
D697,499 S	*	1/2014	McManigal	.....	D14/218
D703,190 S	*	4/2014	Zaslavsky	.....	D14/218
D735,195 S	*	7/2015	Yakel	.....	D14/218

D735,718 S	*	8/2015	Pang	.....	D14/218
D788,017 S	*	5/2017	Smallhorn	.....	D12/345
D835,074 S	*	12/2018	Cheng	.....	D14/218
D836,613 S	*	12/2018	Lu	.....	D14/218
2010/0035668 A1	*	2/2010	Lee	.....	H04M 1/0237 455/575.4

**FOREIGN PATENT DOCUMENTS**

CN 304588761 \* 4/2018

**OTHER PUBLICATIONS**

FM5S Wireless Mini Keyboard 2.4G Fly Air Mouse Remote Control, Geekbuying website 2019, site visited Mar. 12, 2019, <https://www.geekbuying.com/item/FM5S-Wireless-Mini-Keyboard-2-4G-Fly-Air-Mouse-Remote-Control-Black-374742.html> (Year: 2018).\*

(Continued)

*Primary Examiner* — John Windmuller

*Assistant Examiner* — John R Yeh

(74) *Attorney, Agent, or Firm* — Lee & Hayes, P.C.

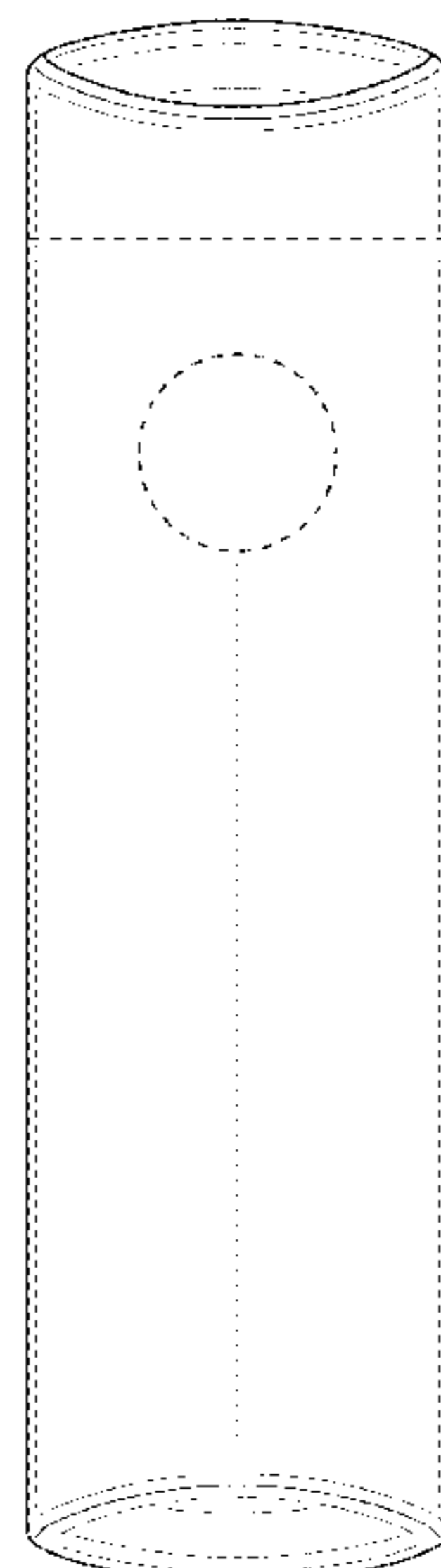
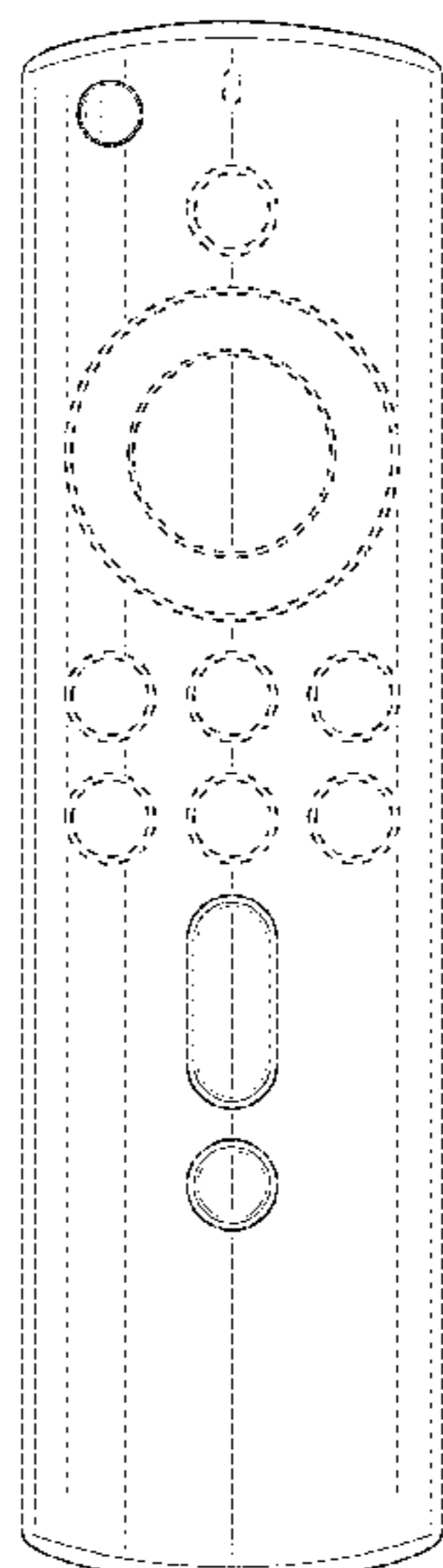
(57) **CLAIM**

The ornamental design for a remote control, as shown and described.

**DESCRIPTION**

FIG. 1 is a front perspective view of our design for a remote control;  
FIG. 2 is a back perspective view thereof;  
FIG. 3 is a front view thereof;  
FIG. 4 is a back view thereof;  
FIG. 5 is a left-side view thereof;  
FIG. 6 is a right-side view thereof;  
FIG. 7 is a top view thereof; and,  
FIG. 8 is a bottom view thereof.  
The broken lines depict portions of the remote control which form no part of the claimed design.

**1 Claim, 8 Drawing Sheets**



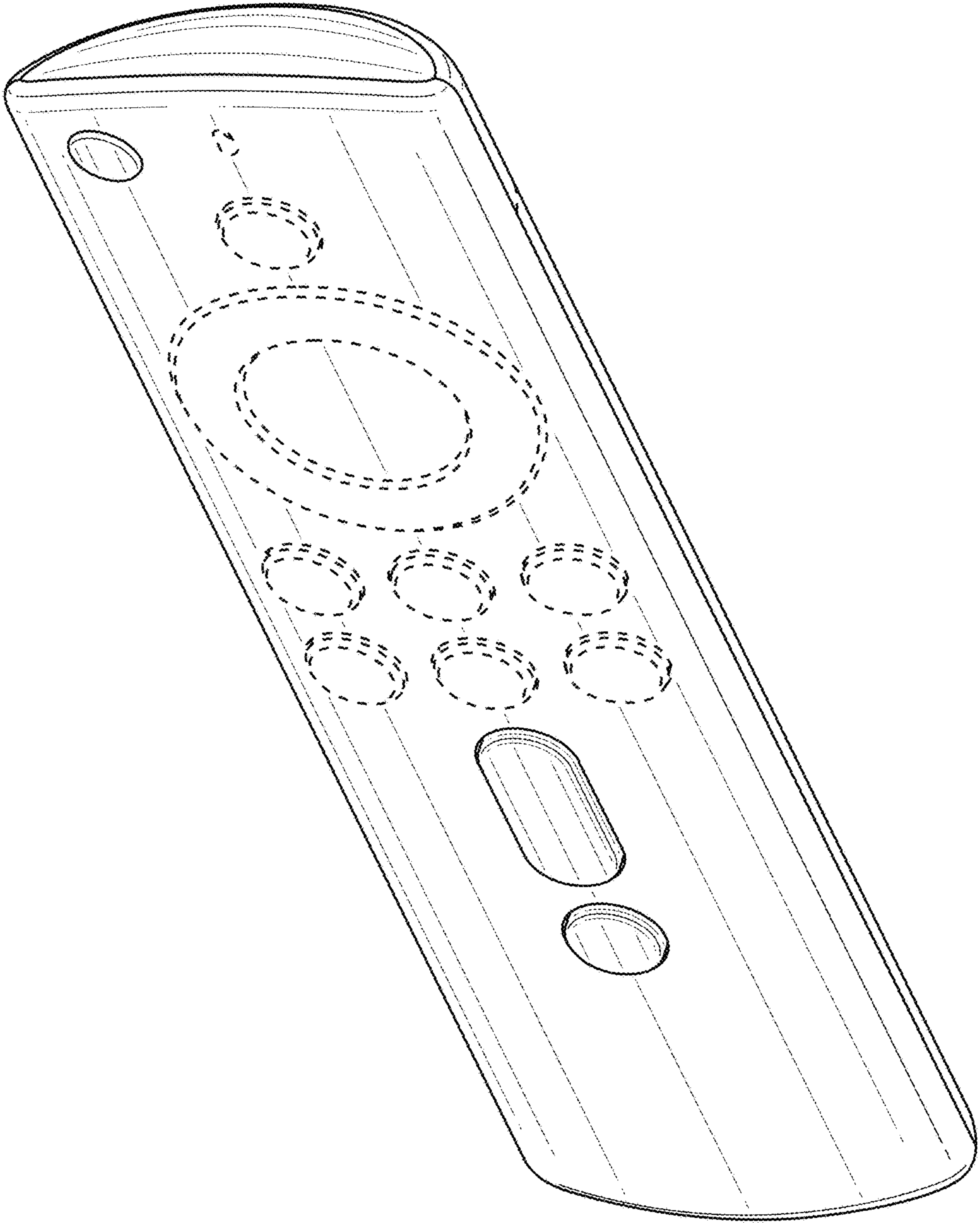
(56)

**References Cited**

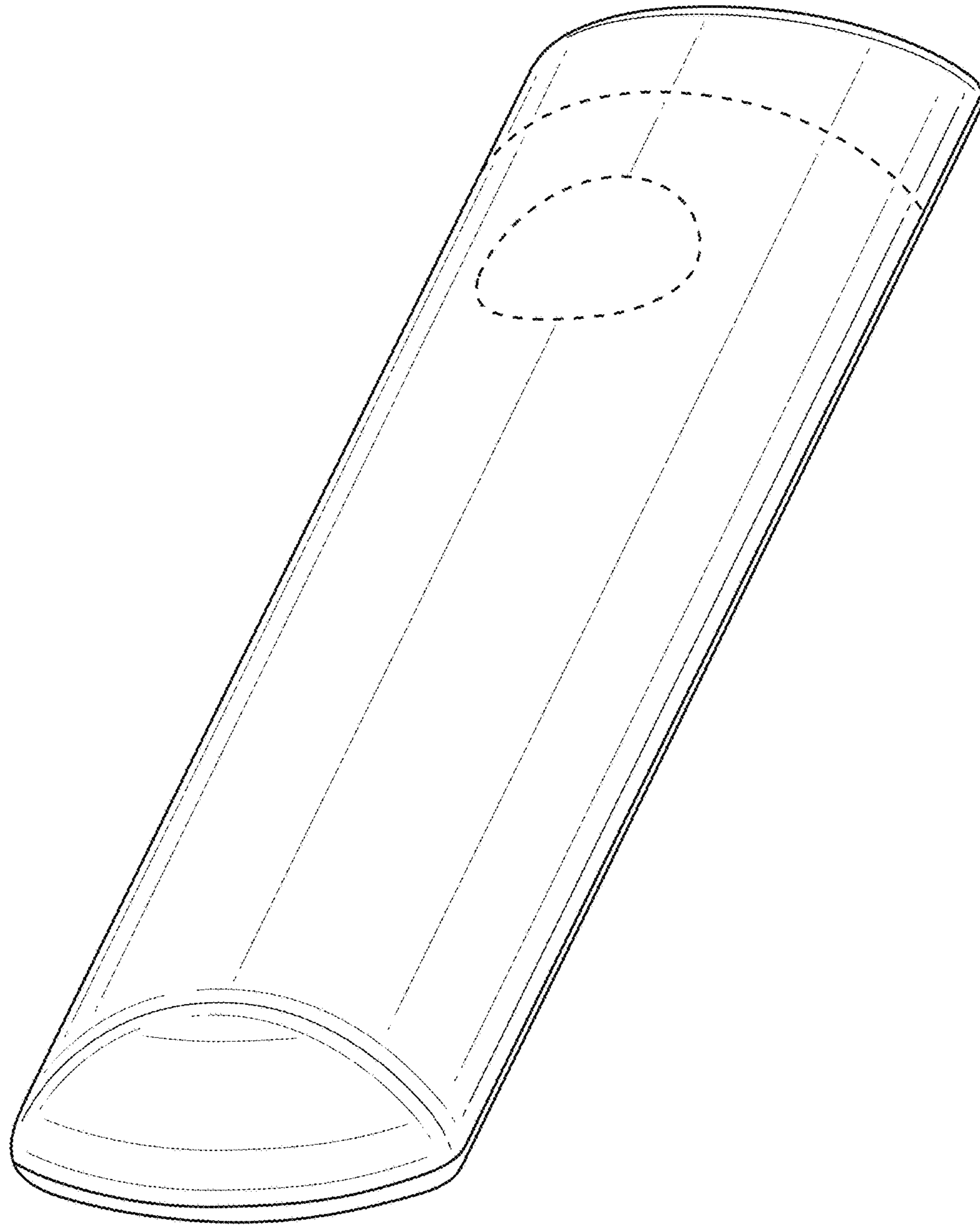
OTHER PUBLICATIONS

The Indian Office Action dated on Oct. 3, 2018 for Indian Patent Application No. 310098, a counterpart foreign patent application for the U.S Appl. No. 29/641,357, 2 pages.

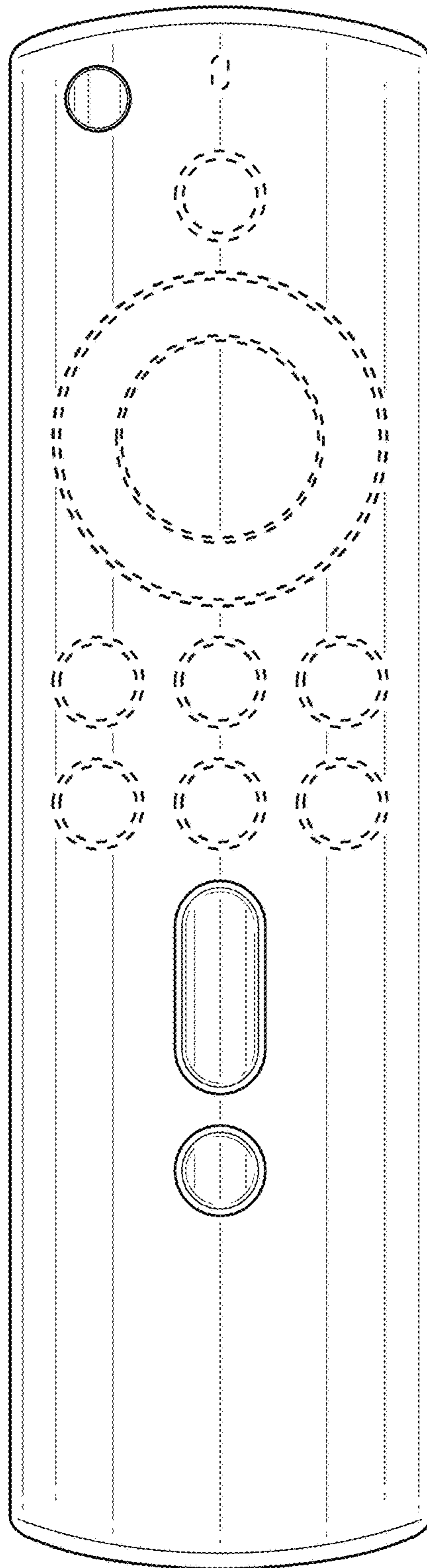
\* cited by examiner



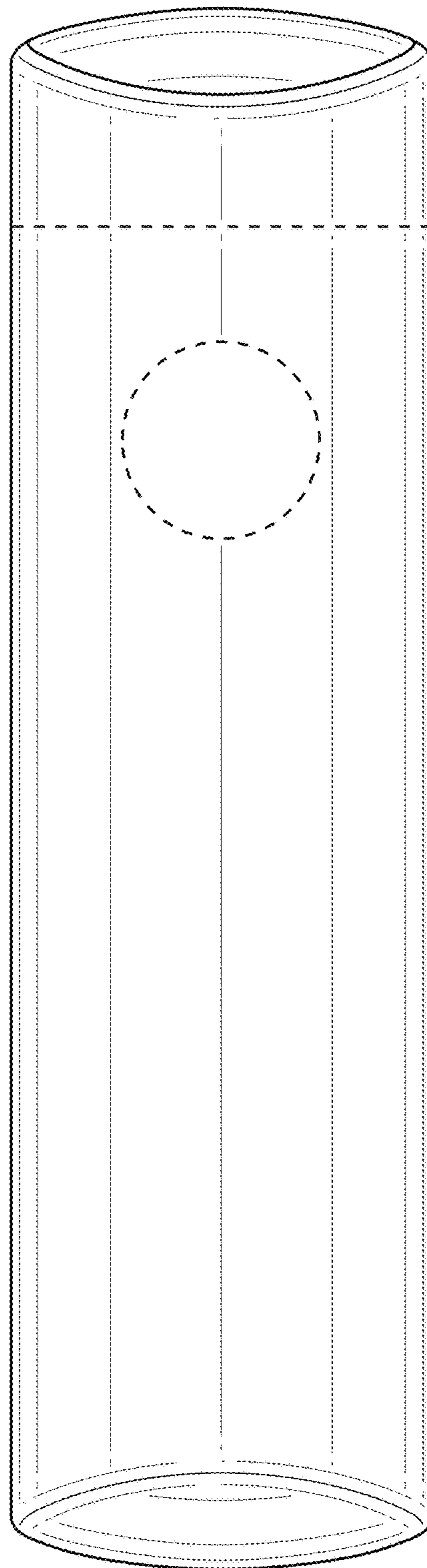
**FIG. 1**



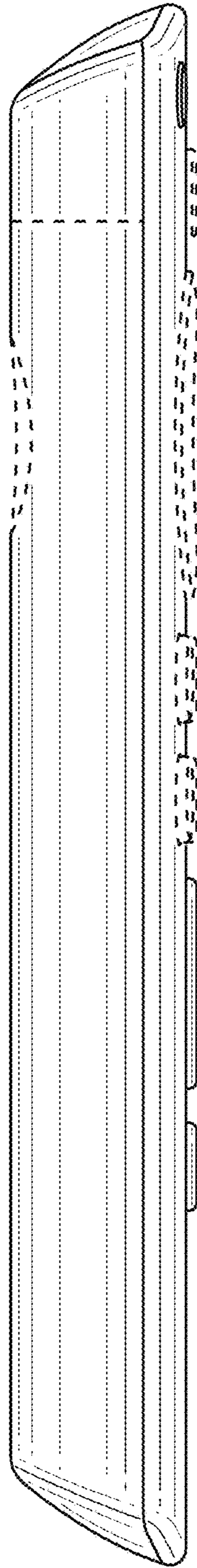
**FIG. 2**



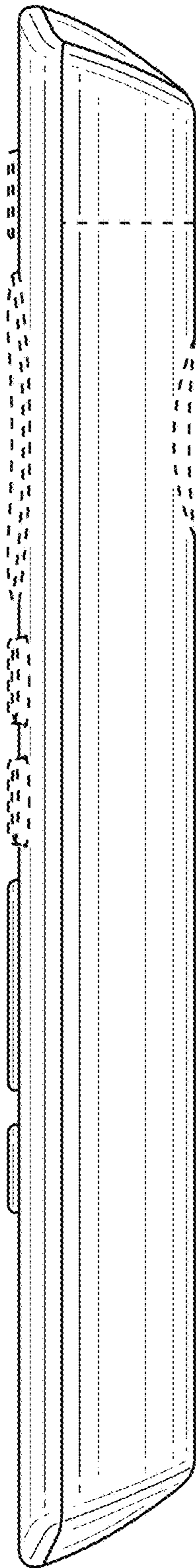
**FIG. 3**



**FIG. 4**

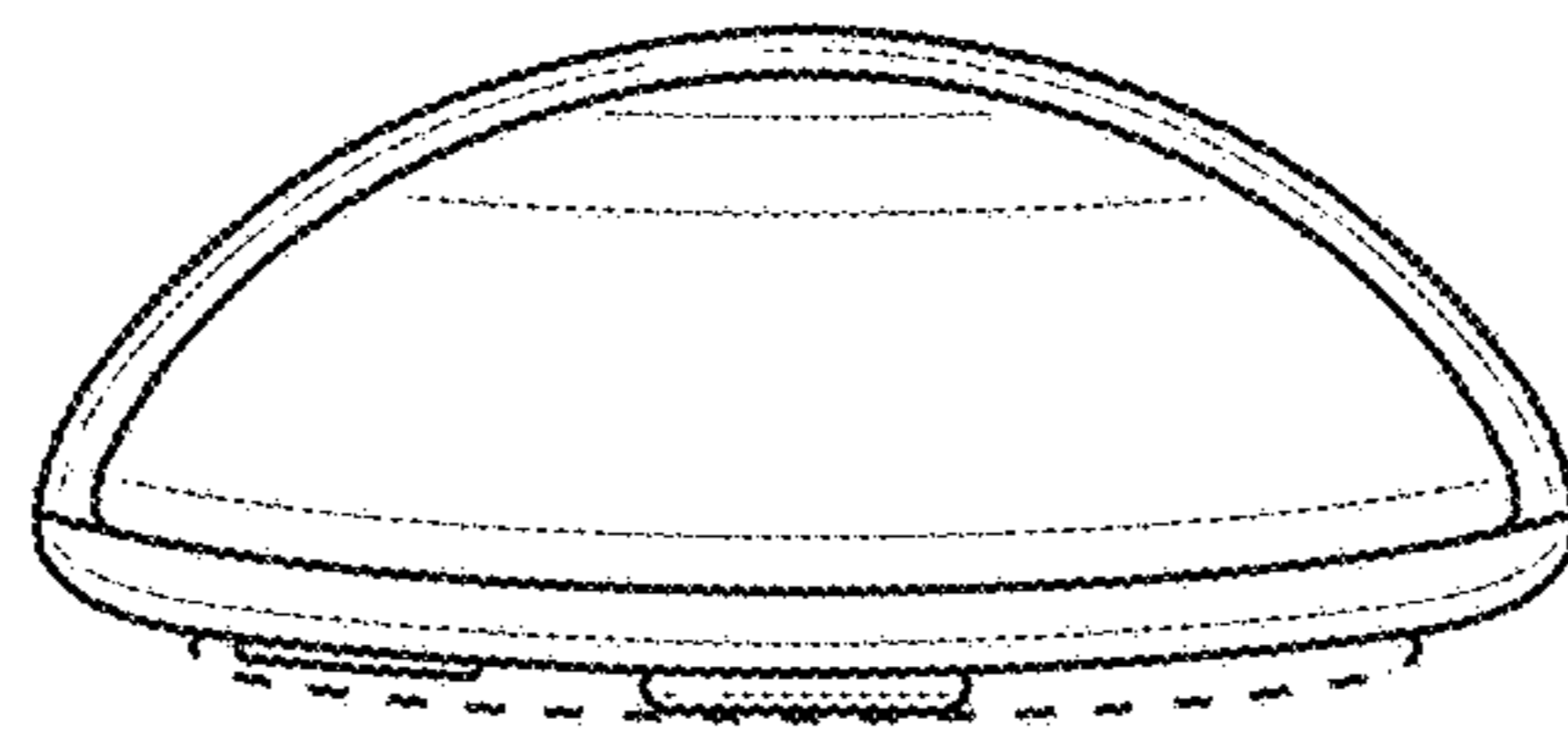


**FIG. 5**

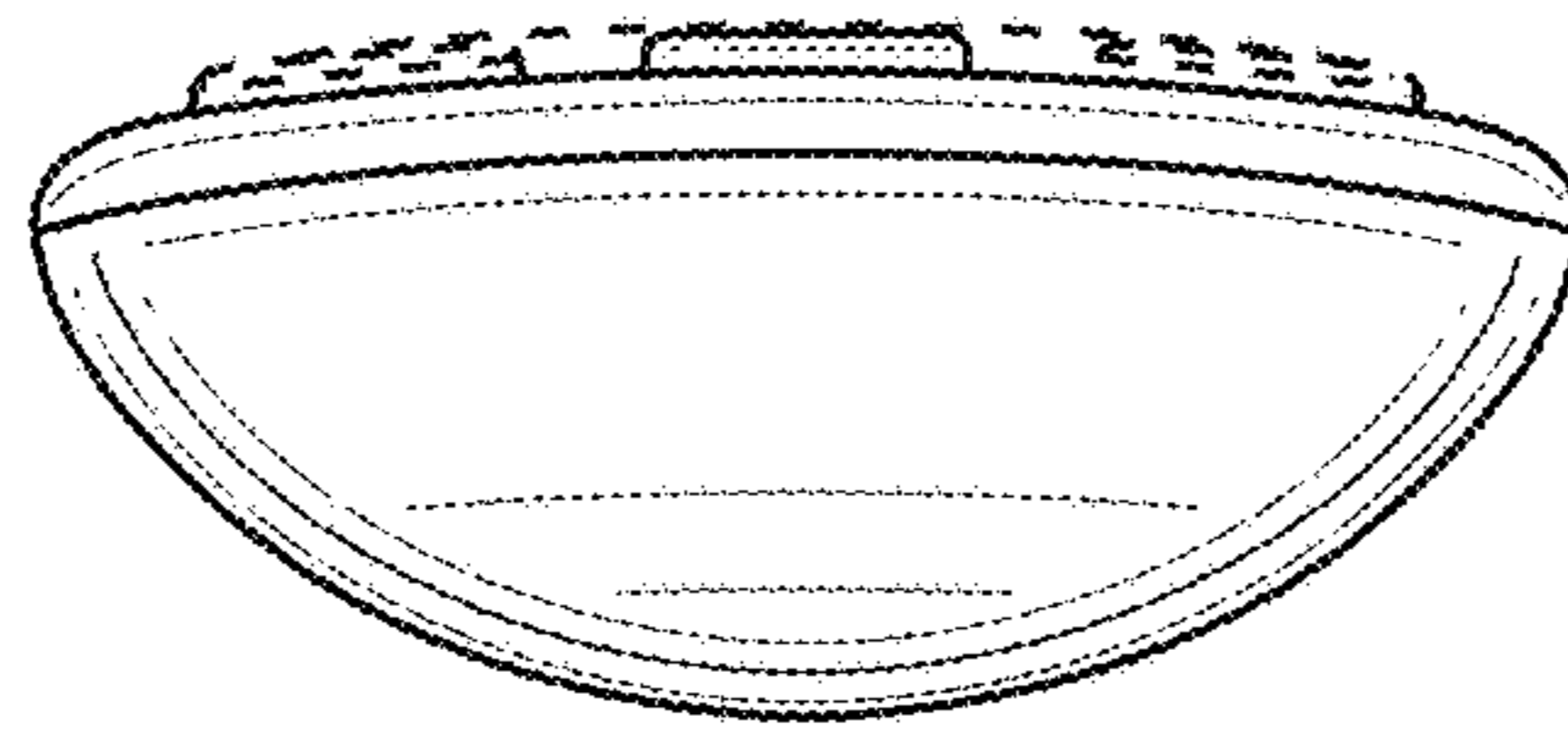


**FIG. 6**





**FIG. 7**



**FIG. 8**