



US00D858485S

(12) **United States Design Patent**
Xiao

(10) **Patent No.:** **US D858,485 S**

(45) **Date of Patent:** **** Sep. 3, 2019**

(54) **SPORT SPEAKER**

(71) Applicant: **Xiangyan Xiao, Ji'an (CN)**

(72) Inventor: **Xiangyan Xiao, Ji'an (CN)**

(**) Term: **15 Years**

(21) Appl. No.: **29/611,755**

(22) Filed: **Jul. 25, 2017**

(51) **LOC (12) Cl.** **14-01**

(52) **U.S. Cl.**

USPC **D14/214**

(58) **Field of Classification Search**

USPC D14/167, 168, 170-172, 188, 194-196,
D14/204, 207, 209.1, 210-216, 219, 221,
D14/222, 496; 181/198, 199; 381/300,
381/303, 332, 334, 336, 345

CPC H04R 1/02; H04R 1/021; H04R 1/025;
H04R 1/026; H04R 1/028; H04R 1/34;
H04R 1/40; H04R 1/323; H04R 1/403;
H04R 1/345; H04R 1/2803; H04R
1/2834; H04R 5/02; H04R 9/06; H04R
2201/021; H04R 2400/00; H04R 2400/01;
H04R 2400/03; B60R 11/0217; G06F
1/1688; G10K 9/22; H03F 1/327; H04N
5/642

See application file for complete search history.

(56) **References Cited**

U.S. PATENT DOCUMENTS

D548,721 S * 8/2007 Lee D14/188
D770,423 S * 11/2016 Osborn D14/204

D801,393 S * 10/2017 Lai D14/496
D801,949 S * 11/2017 Bailey D14/214
D803,189 S * 11/2017 Cheney D14/214
D809,481 S * 2/2018 McManigal D14/216
D809,482 S * 2/2018 Fischer D14/216
D821,358 S * 6/2018 Garfio D14/214
D822,634 S * 7/2018 Zaihui D14/204

* cited by examiner

Primary Examiner — R. Johnson

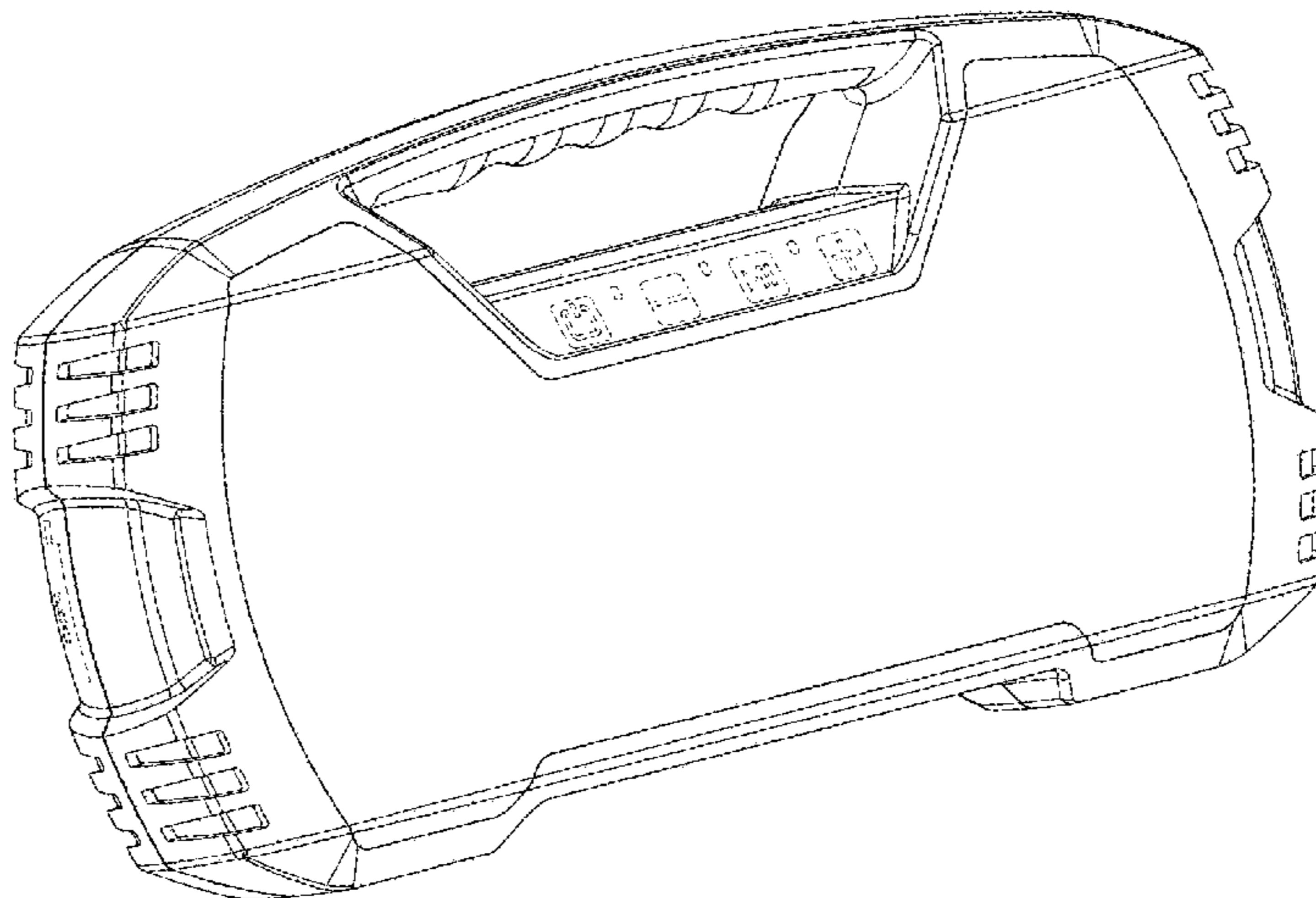
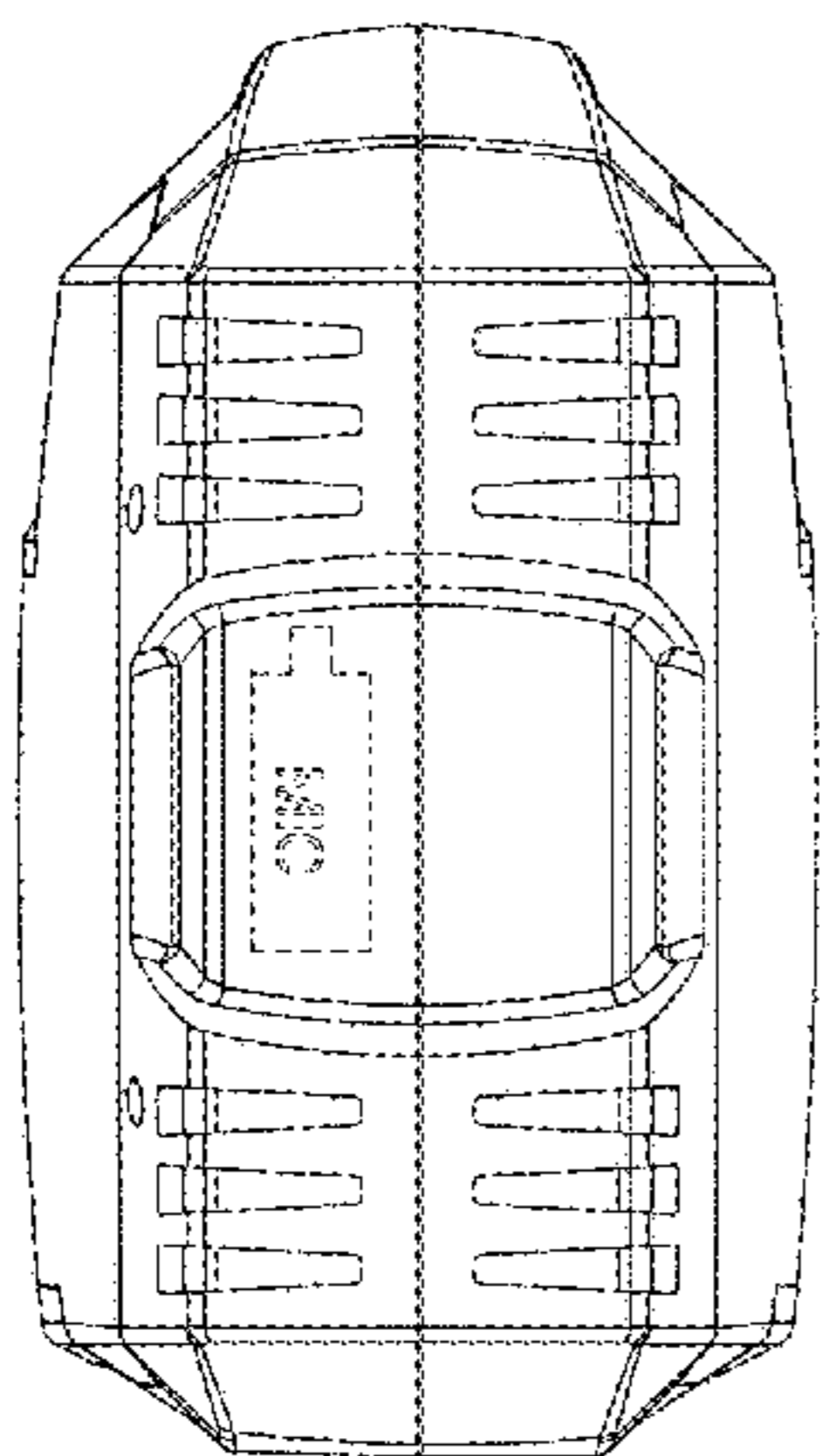
(57) **CLAIM**

The ornamental design for a sport speaker, as shown and described.

DESCRIPTION

FIG. 1 is a front elevational view of a sport speaker showing my new design;
FIG. 2 is a rear elevational view thereof;
FIG. 3 is a left side elevational view thereof;
FIG. 4 is a right side elevational view thereof;
FIG. 5 is a top plan view thereof;
FIG. 6 is a bottom plan view thereof;
FIG. 7 is a front perspective view thereof; and,
FIG. 8 is a rear perspective view thereof.
The broken lines shown in the drawings illustrate portions of the sport speaker, which form no part of the claimed design.

1 Claim, 8 Drawing Sheets



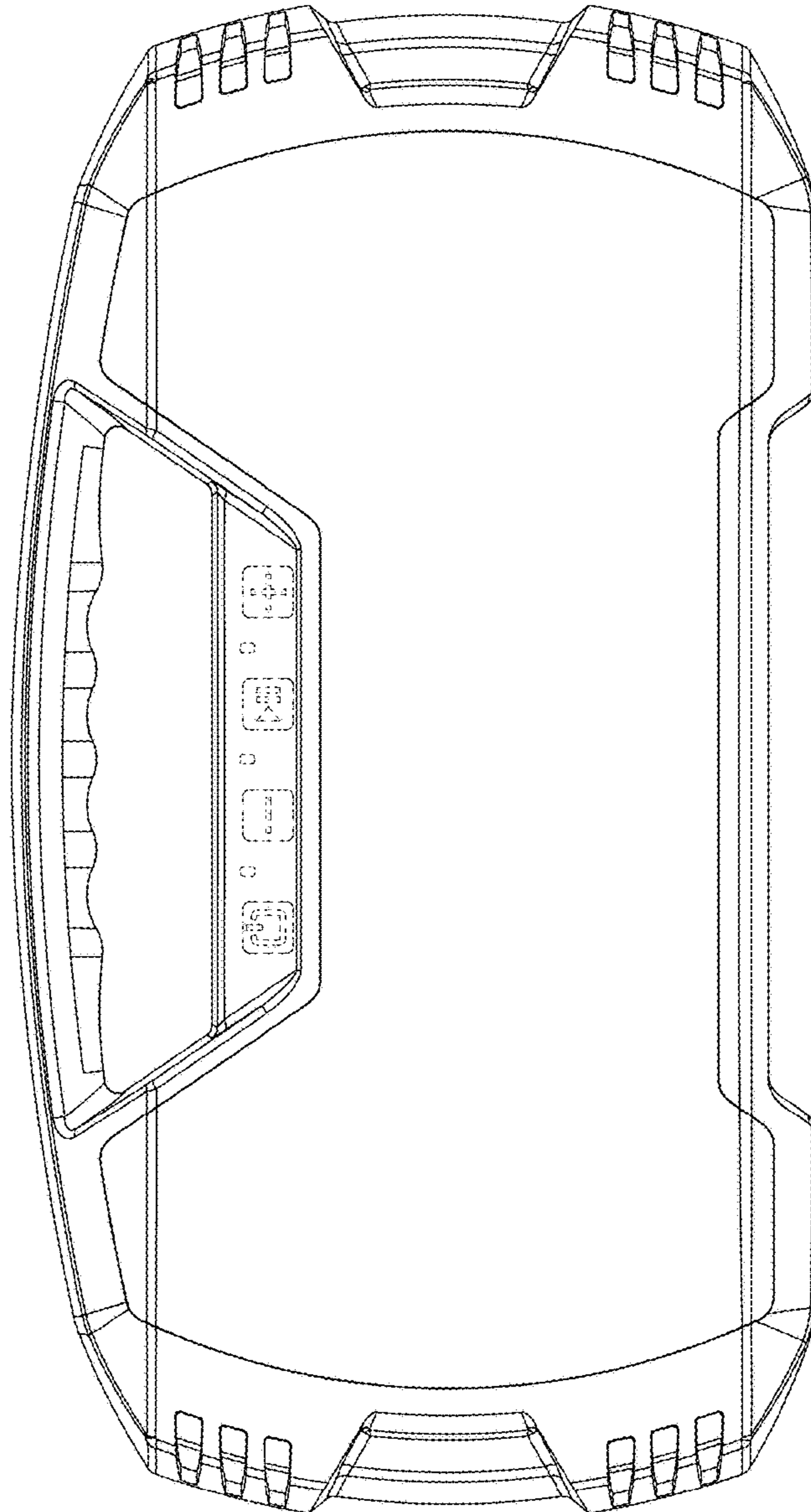


FIG. 1

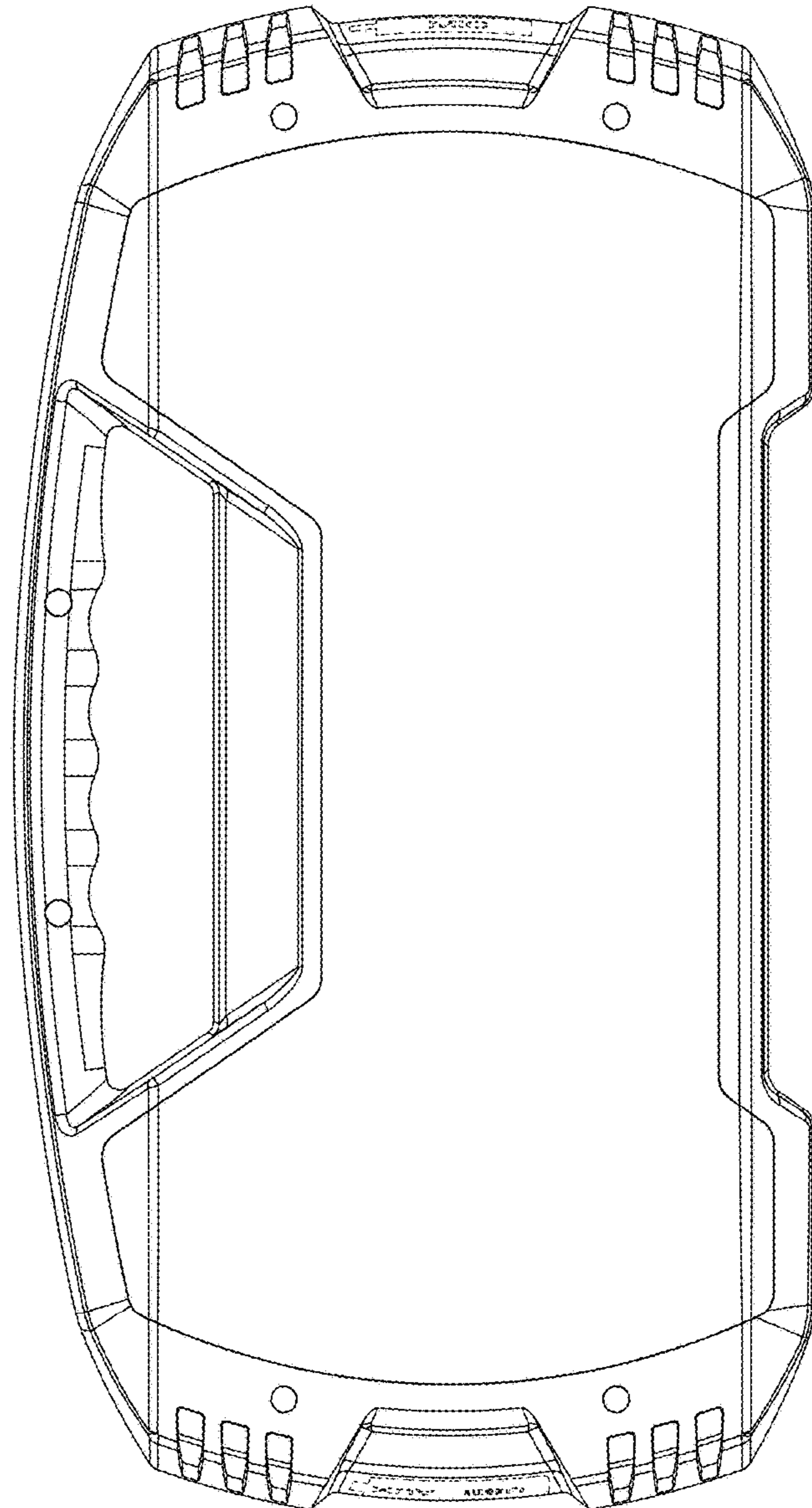


FIG. 2

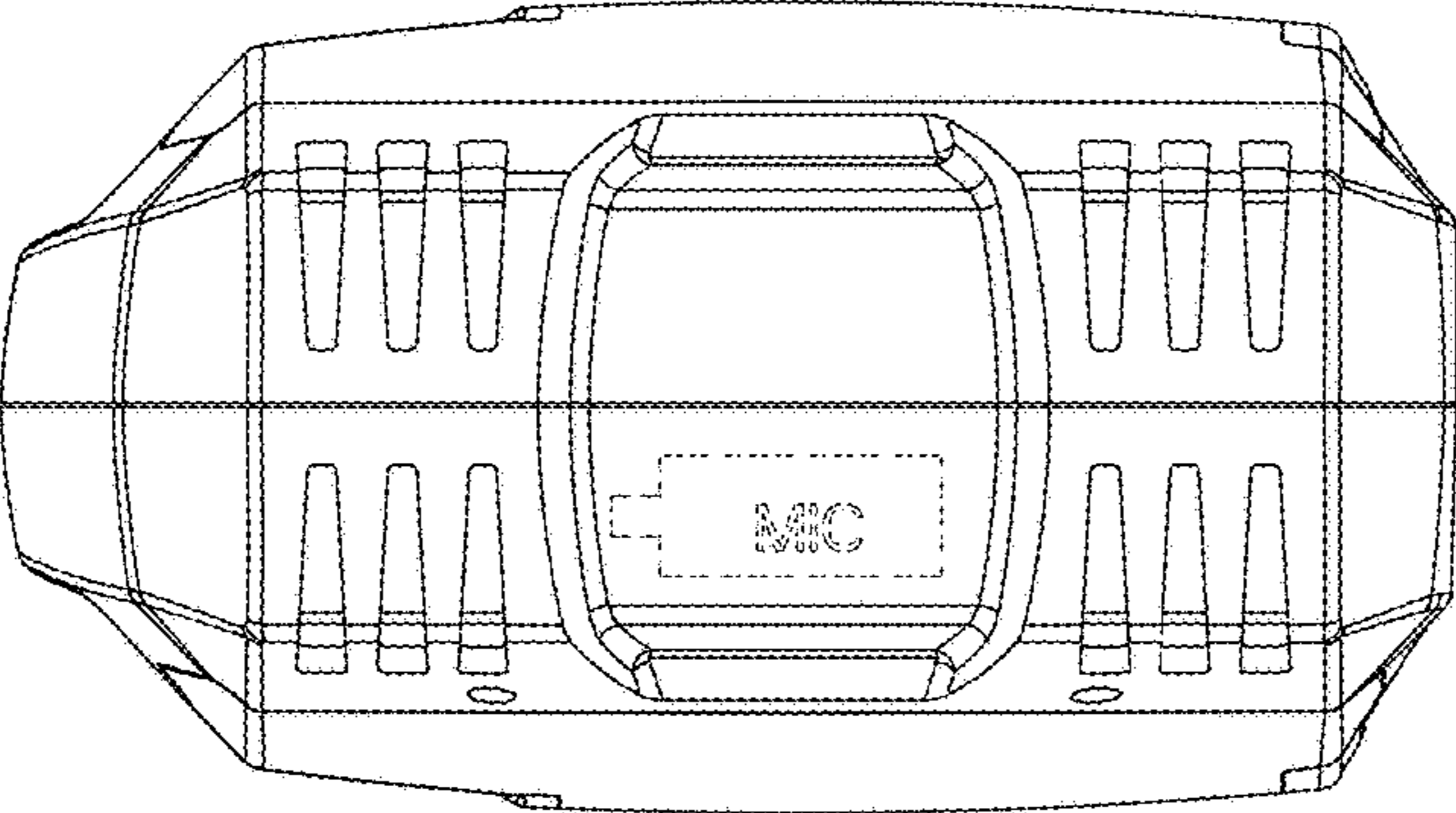


FIG. 3

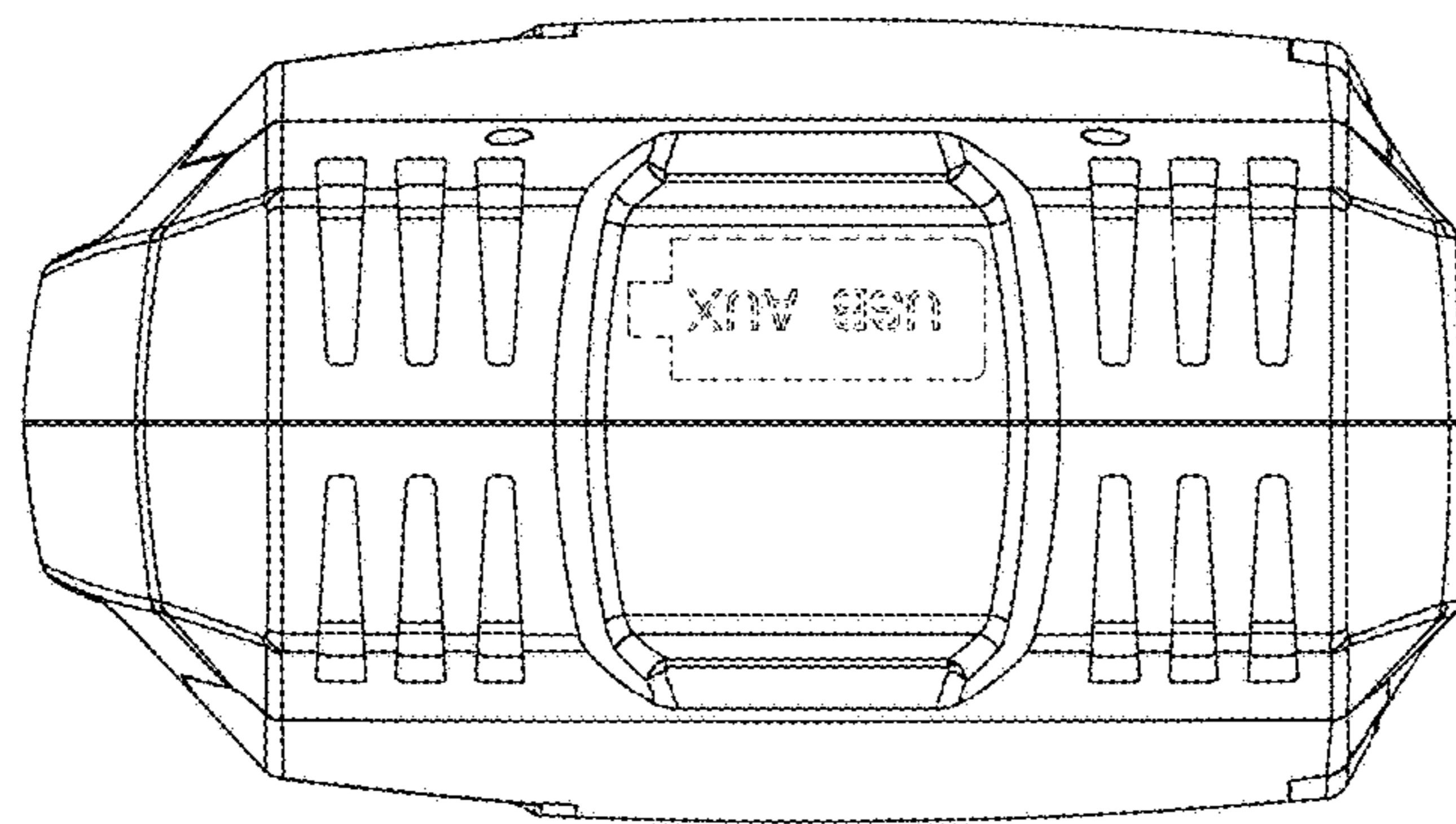


FIG. 4

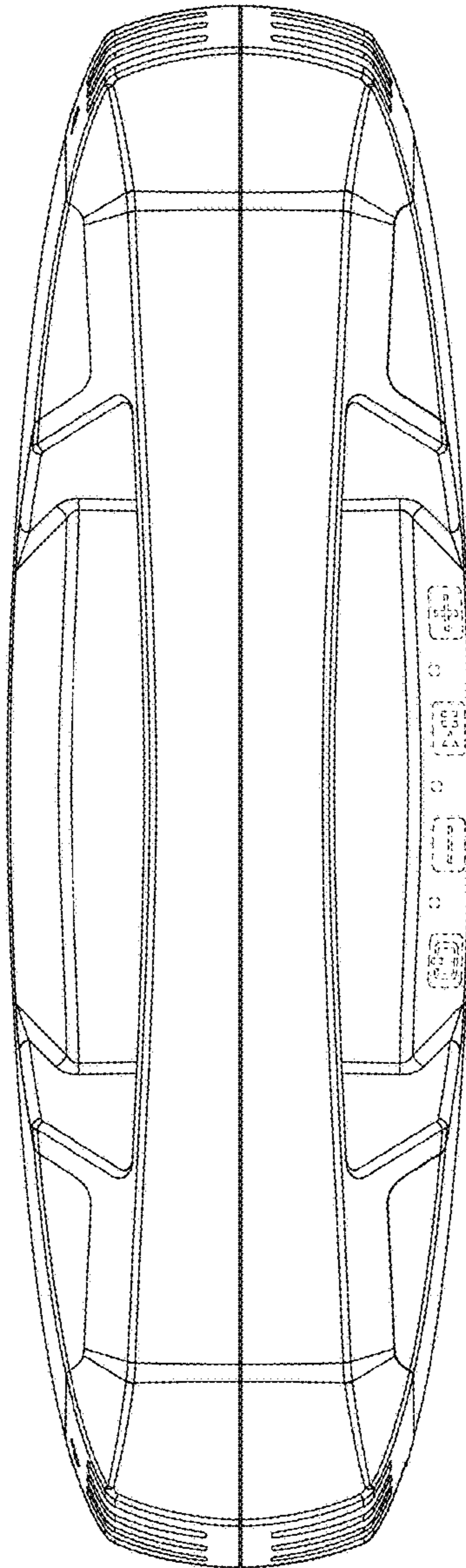


FIG. 5

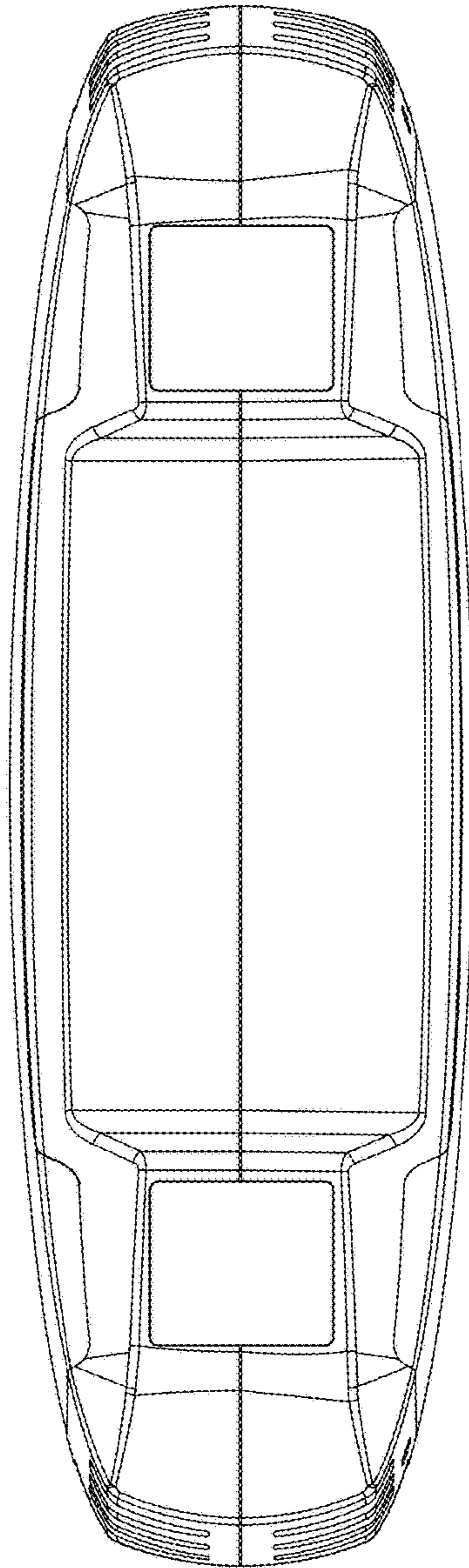


FIG. 6

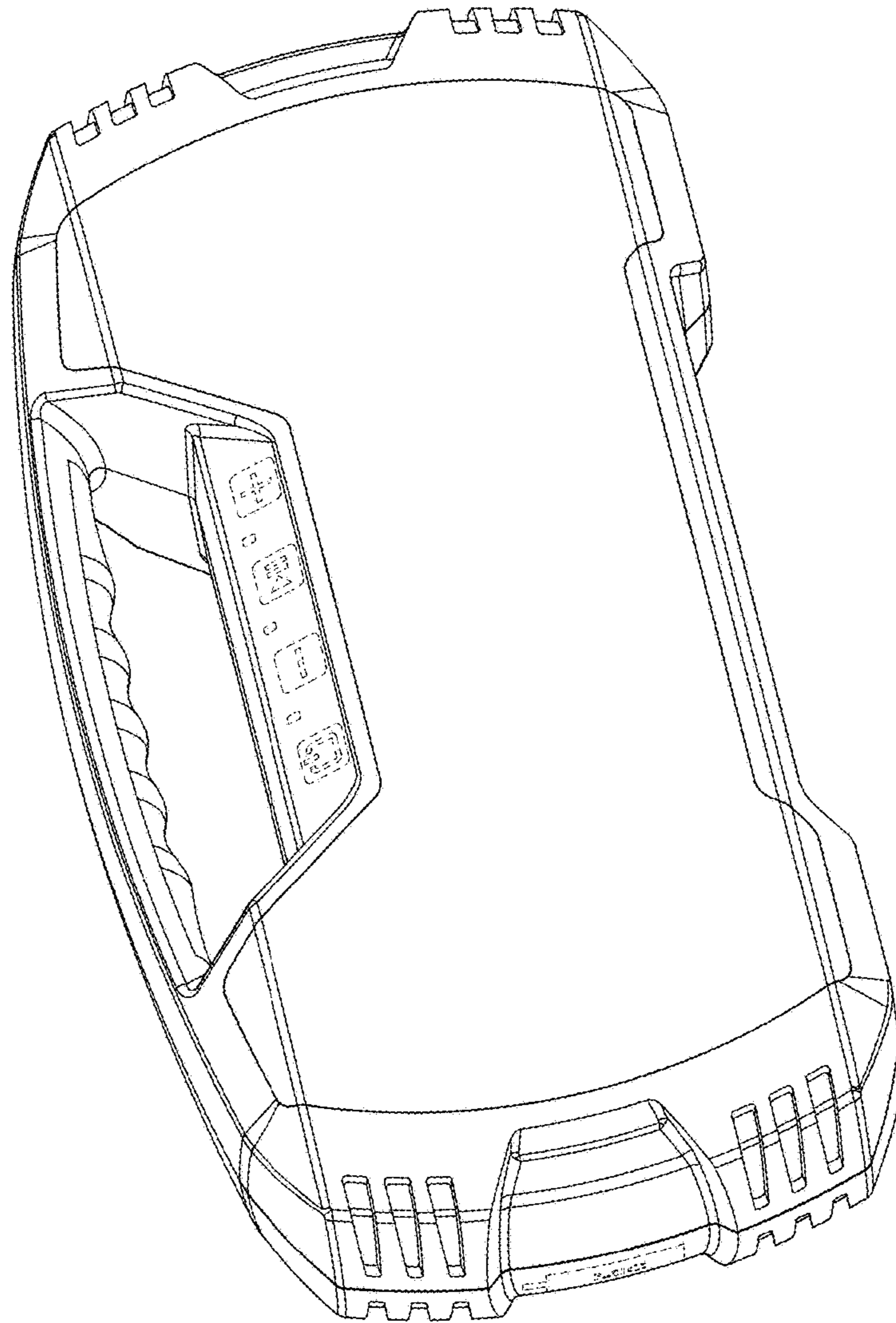


FIG. 7

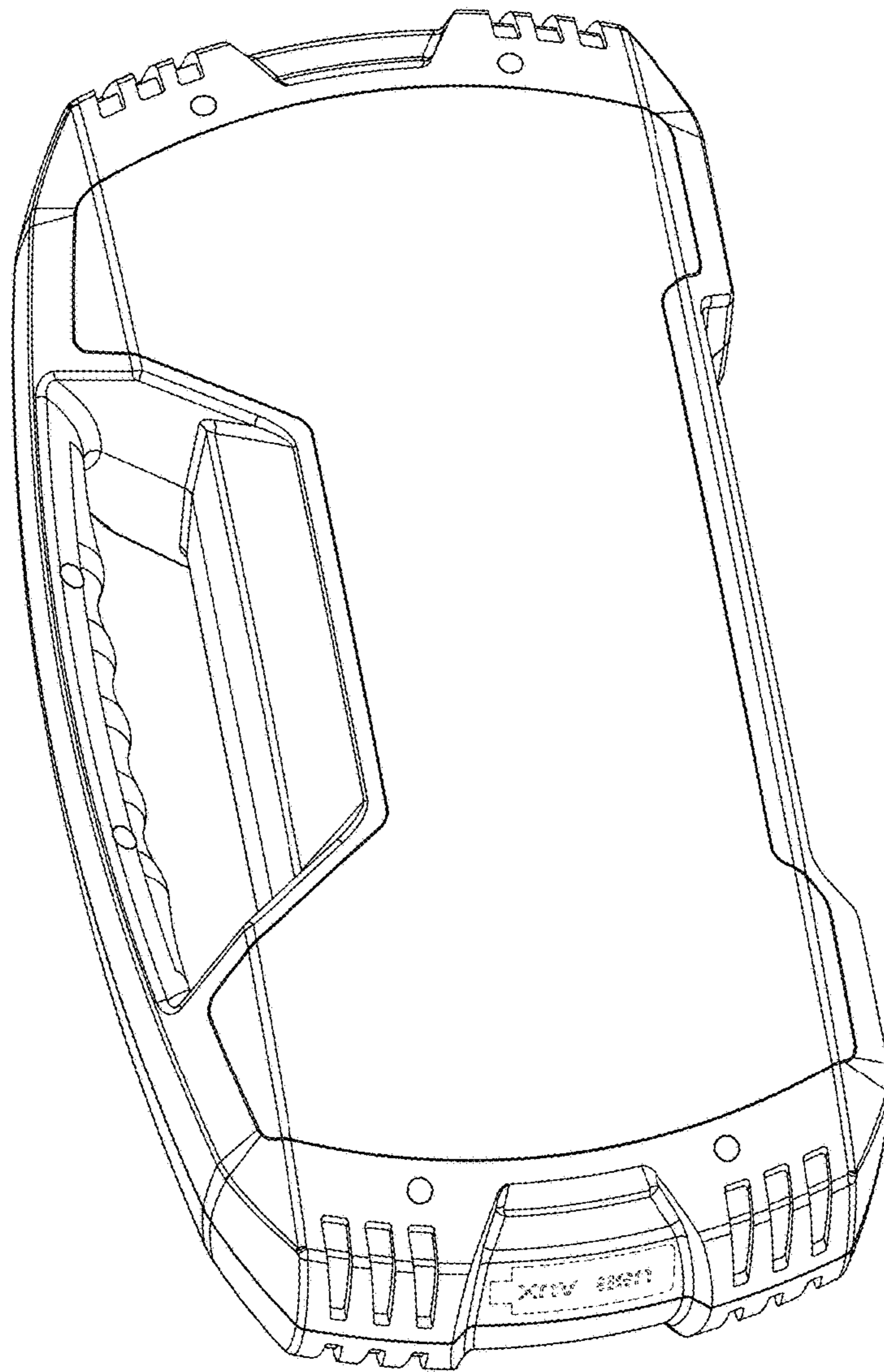


FIG. 8