



US00D858484S

(12) **United States Design Patent**
Liu

(10) **Patent No.:** **US D858,484 S**

(45) **Date of Patent:** **** Sep. 3, 2019**

(54) **DANCING SPEAKER**

(71) Applicant: **Hao Liu**, Shenzhen (CN)

(72) Inventor: **Hao Liu**, Shenzhen (CN)

(**) Term: **15 Years**

(21) Appl. No.: **29/632,421**

(22) Filed: **Jan. 8, 2018**

(51) **LOC (12) Cl.** **14-01**

(52) **U.S. Cl.**

USPC **D14/207**; D21/578; D15/199

(58) **Field of Classification Search**

USPC D14/204, 207, 210–216, 172, 176, 177,
D14/188, 189, 209.1, 203.2, 221, 508;
D3/211, 270, 325; D7/539, 571, 301,
D7/599, 604, 606, 613, 619.2, 628,
D7/593–595; D9/602, 603, 607, 608,
D9/609, 611, 618; D11/157–162;
D21/438, 439, 576, 596, 604, 606–609,
D21/611, 617, 788, 578, 621; D15/199
CPC ... H04R 1/00; H04R 1/02; H04R 9/06; H04R
11/02; H04R 2400/00; H05K 5/00; H05K
5/03; H05K 5/04

See application file for complete search history.

(56) **References Cited**

U.S. PATENT DOCUMENTS

D356,612 S * 3/1995 Mayuzumi D21/604
D536,010 S * 1/2007 Takahashi D15/199
D541,353 S * 4/2007 Takahashi D21/578
D593,165 S * 5/2009 Hetrick D21/578
D603,912 S * 11/2009 Miller D21/578
D608,845 S * 1/2010 Tang D21/585
D677,744 S * 3/2013 Yu D21/578
D687,907 S * 8/2013 Hoang D15/199
D688,329 S * 8/2013 Vinh Hoang D15/199
D696,324 S * 12/2013 Takahashi D15/199

8,926,395 B2 * 1/2015 Zheng A63H 11/00
446/268
D760,851 S * 7/2016 Cummings D21/578
D778,372 S * 2/2017 Cummings D21/578
D794,692 S * 8/2017 Haranaka D15/199
D806,805 S * 1/2018 Takahashi D21/578
D817,807 S * 5/2018 Kim D11/83
D822,740 S * 7/2018 Tsai D15/199
D823,367 S * 7/2018 Tsai D15/199
D831,130 S * 10/2018 Davis D21/621
D832,373 S * 10/2018 Cummings D21/596

OTHER PUBLICATIONS

NSP-229 Sawolol Dancing Speaker External Photos of EUT JASKEY LIMITED, online, post date Aug. 11, 2018, <URL: <https://fccid.io/2AC9E-NSP-229/External-Photos/External-photos-3960500>>, retrieved Jan. 17, 2019.*

Robot dog speaker dances to music, Youtube online, post date Dec. 27, 2017, <URL: <https://www.youtube.com/watch?v=y2pYSnG-ZVEo>>, retrieved Jan. 17, 2019.*

(Continued)

Primary Examiner — Jeffrey D Asch

Assistant Examiner — Rebekah A Caruso

(57)

CLAIM

I claim the ornamental design for a dancing speaker, as shown and described.

DESCRIPTION

FIG. 1 is a front elevational view of a dancing speaker showing my new design;

FIG. 2 is a rear elevational view thereof;

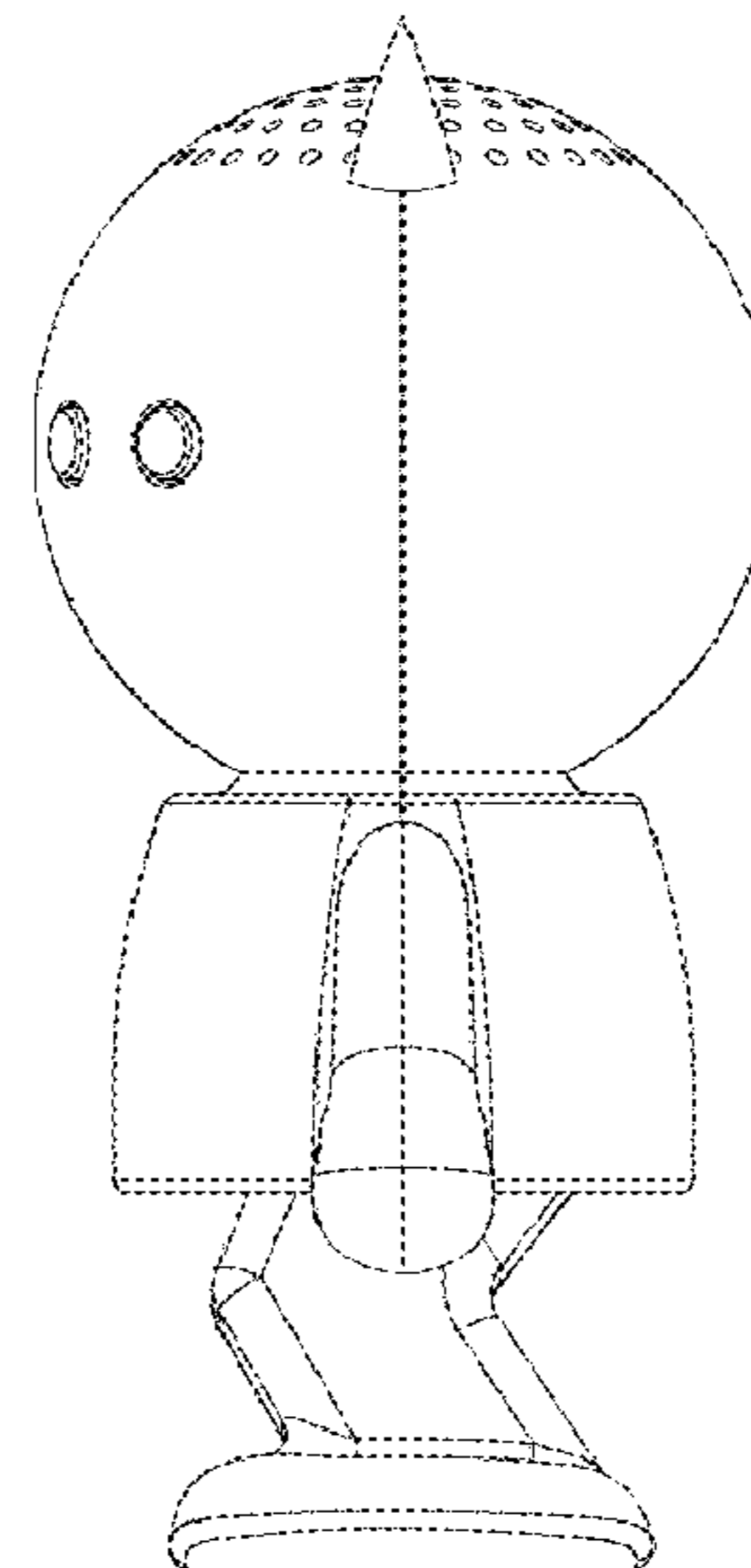
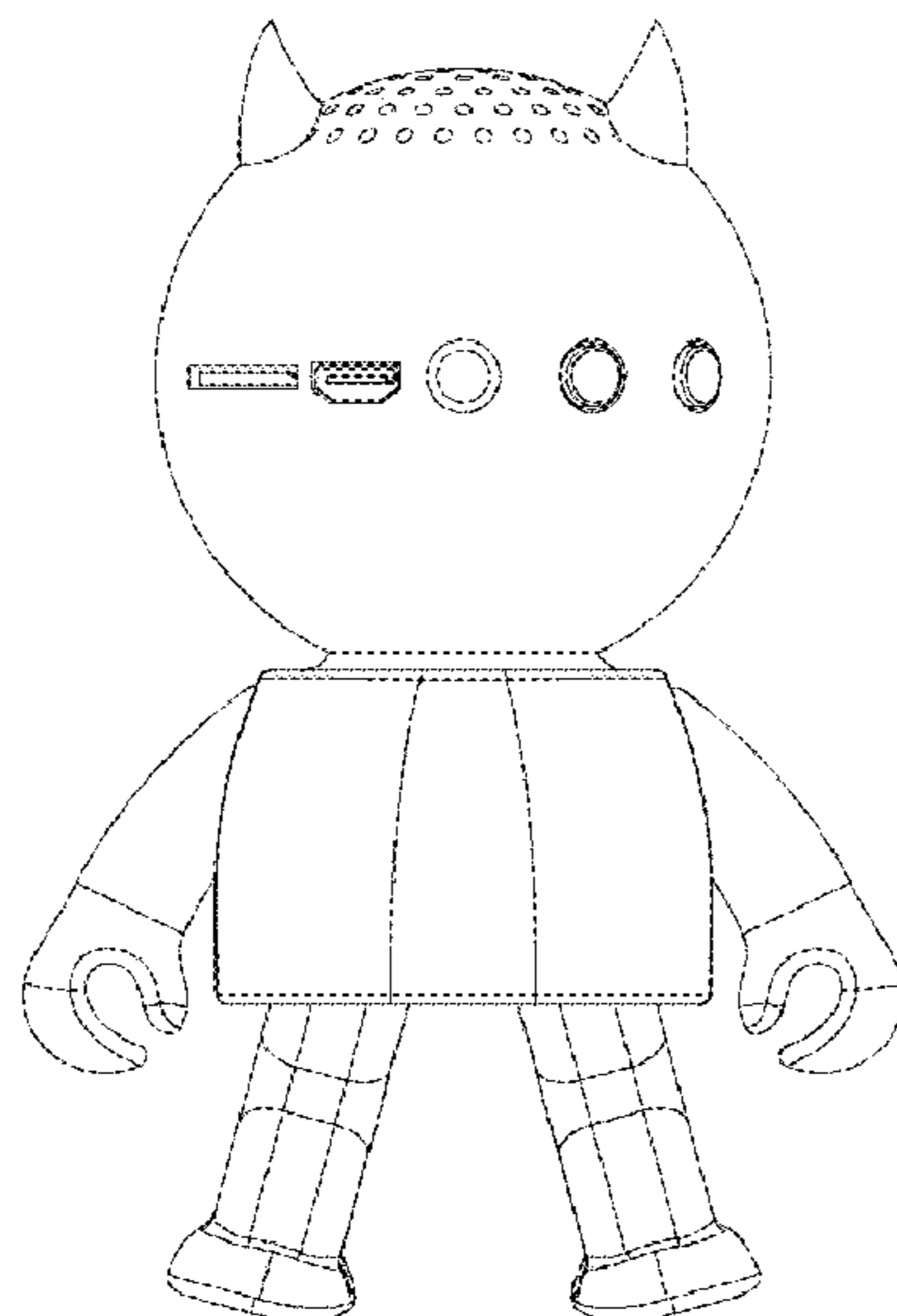
FIG. 3 is a left side elevational view thereof;

FIG. 4 is a right side elevational view thereof;

FIG. 5 is a top plan view thereof; and,

FIG. 6 is a bottom plan view thereof.

1 Claim, 6 Drawing Sheets



(56)

References Cited

OTHER PUBLICATIONS

Vivo OEM Robot Shape Speaker For Laptop, online, no post date, <URL: <http://shopping.rediff.com/product/vivo-oem-robot-shape-speaker-for-laptop-mp3-player-mobile-phones/21482443>>, retrieved Jan. 17, 2019.*

Cartoon Portable Robot Dog Bluetooth V4.1 Speaker, online, no post date, <URL: <https://www.dhgate.com/product/cartoon-portable-robot-dog-bluetooth-v4-1/411833599.html>>, retrieved Jan. 17, 2019.*

Apollo 18 White Robot Bluetooth Portable Speaker, online, no post date, <URL: <https://www.gogobeli.com/apollo-18-bluetooth-portable-speaker-with-led-lights>>, retrieved Jan. 17, 2019.*

* cited by examiner

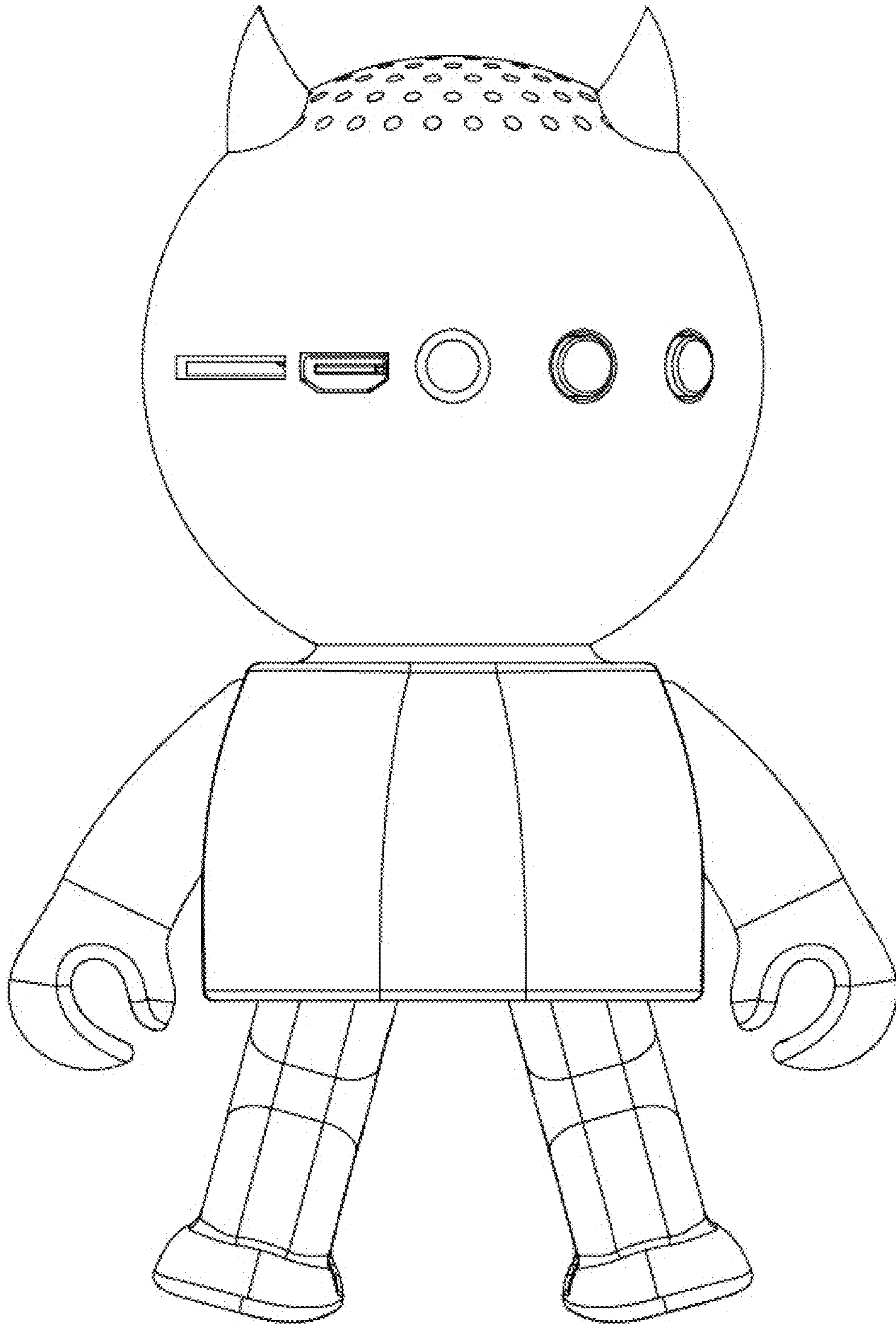


FIG. 1

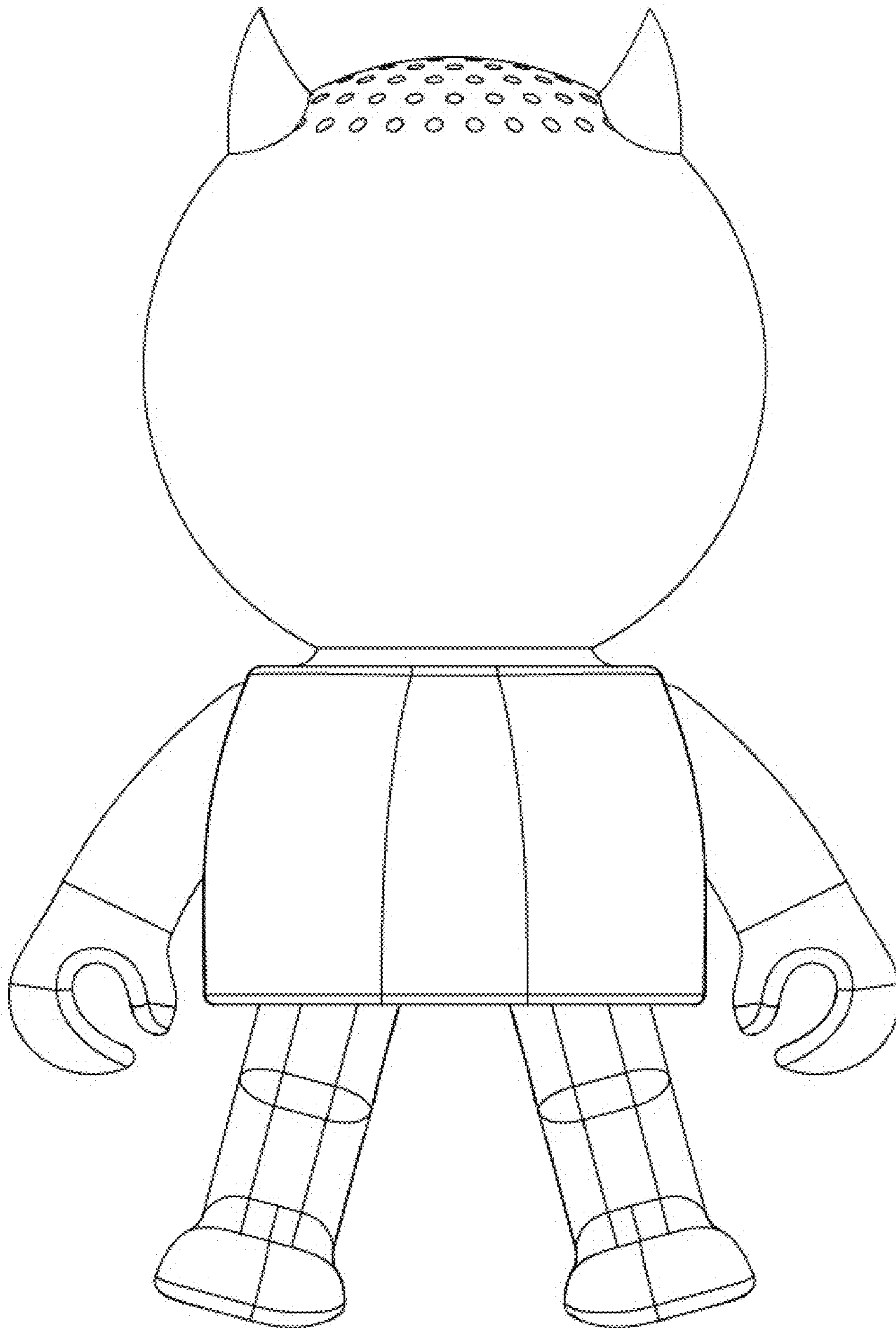


FIG. 2

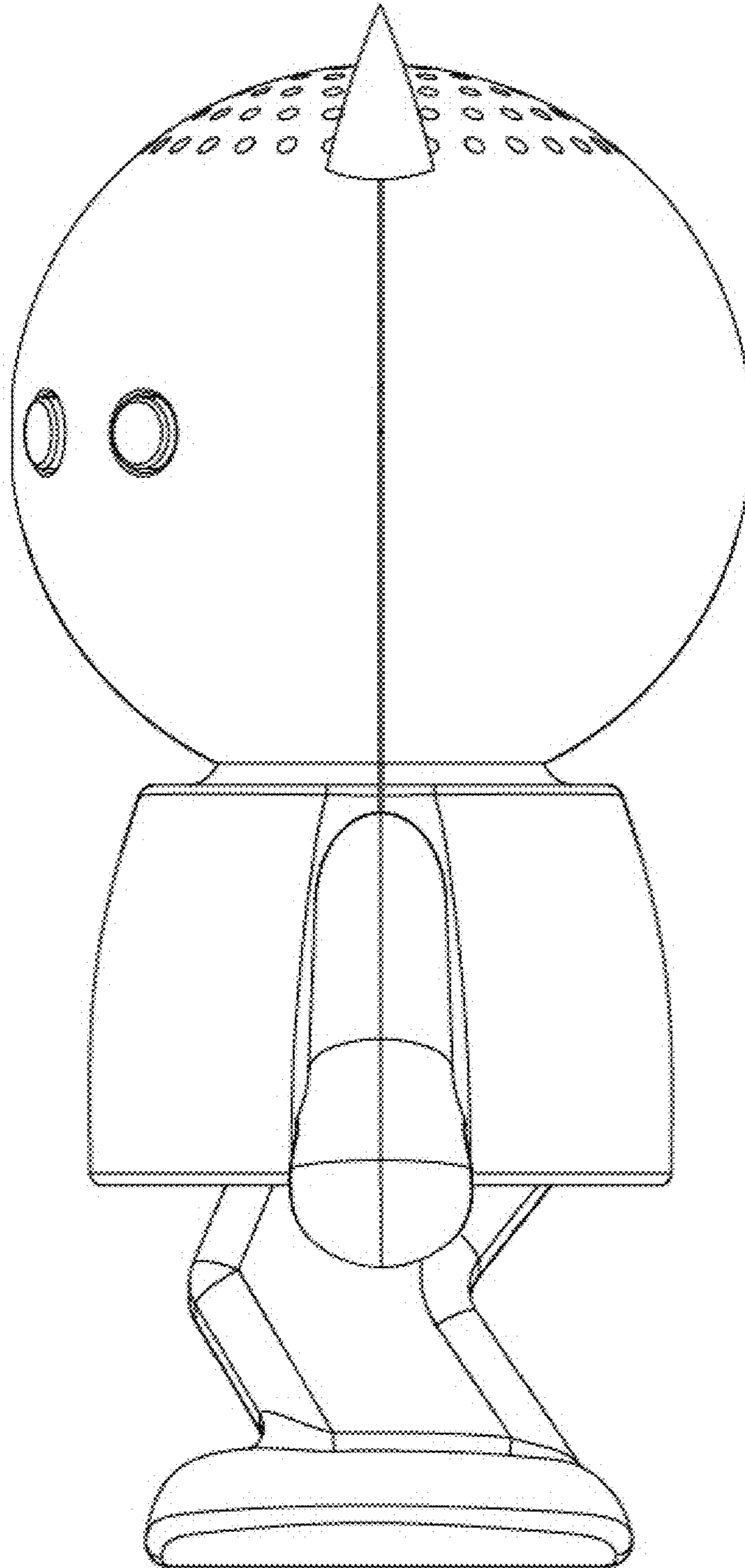


FIG. 3

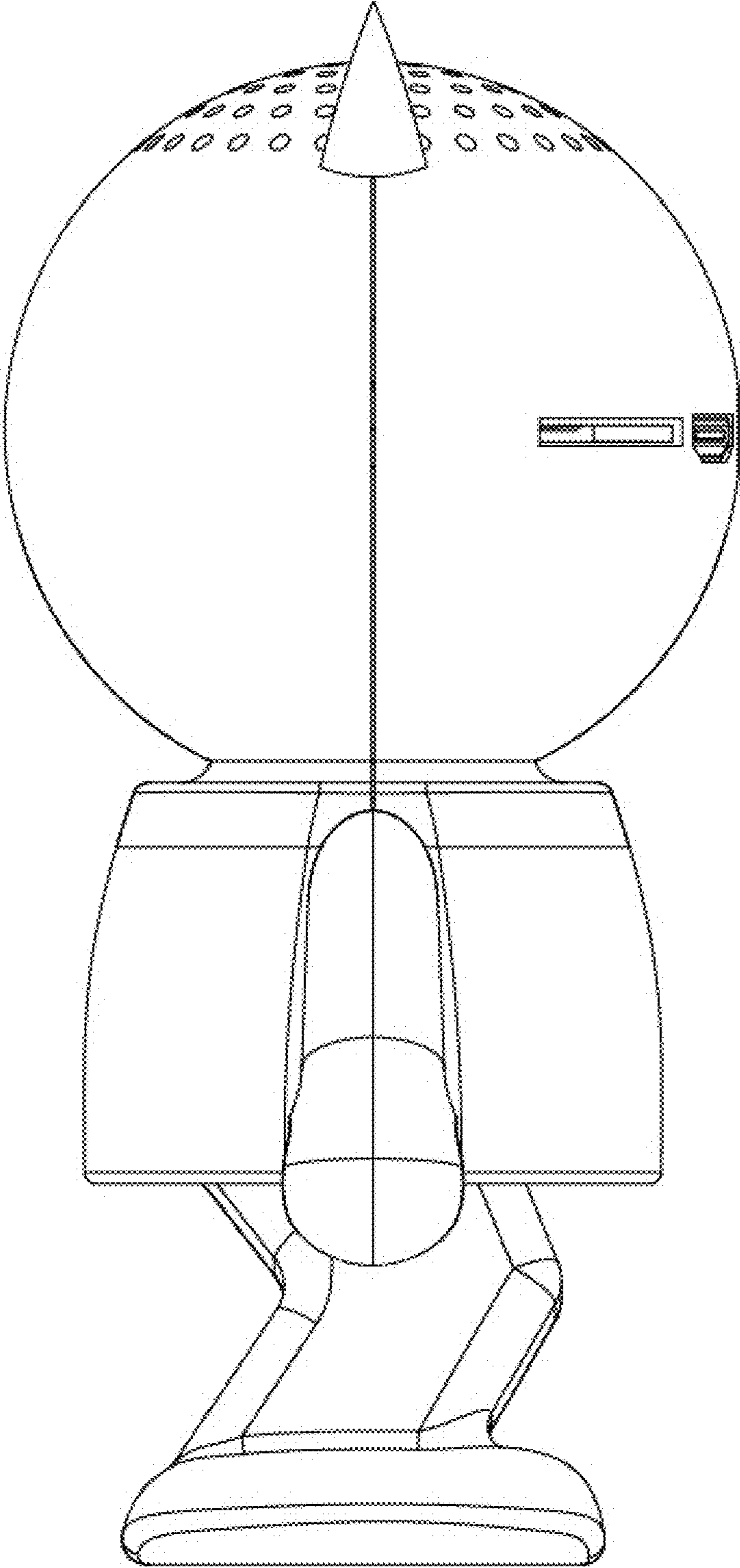


FIG. 4

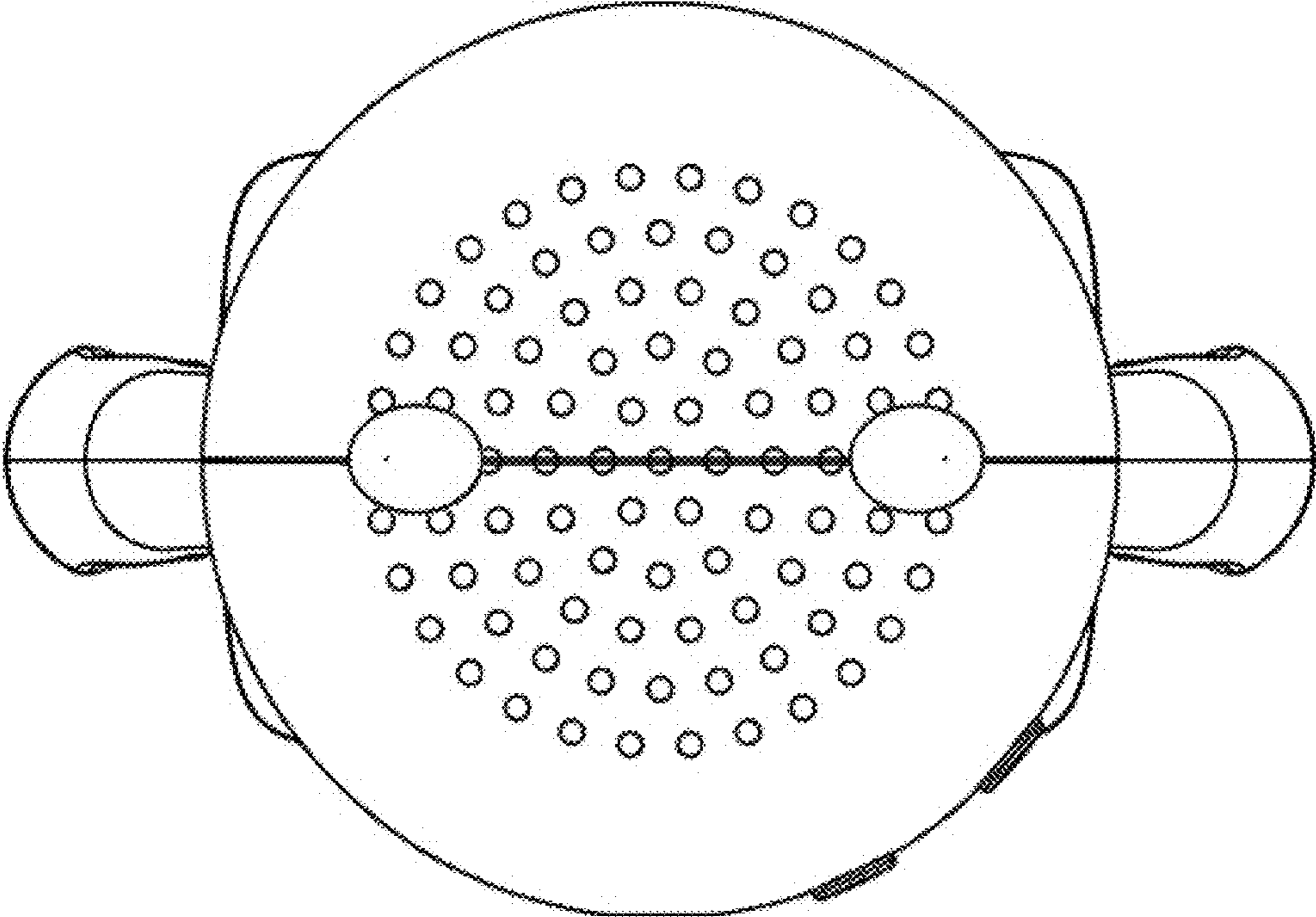


FIG. 5

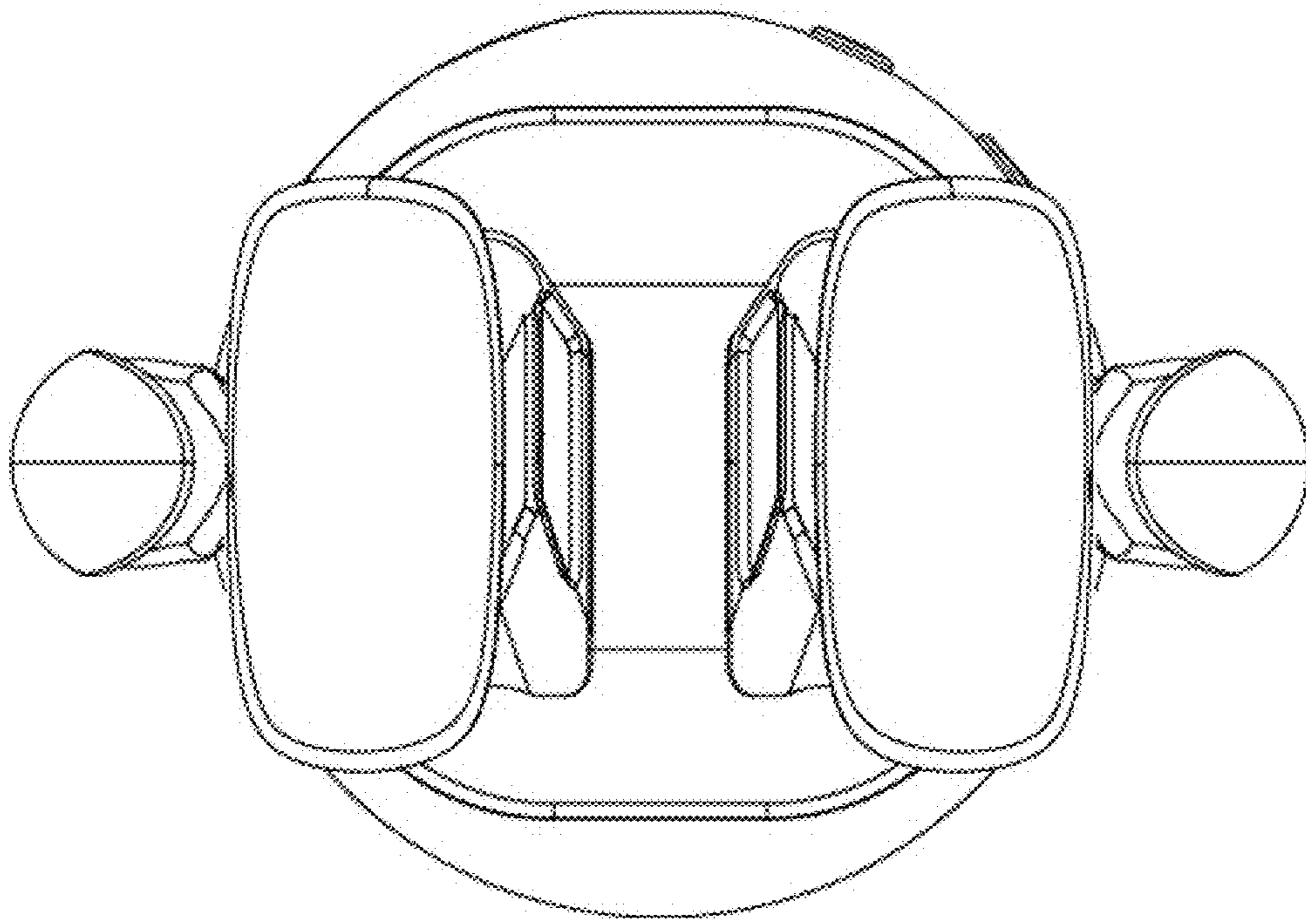


FIG. 6