



US00D858483S

(12) **United States Design Patent**  
**Hu**

(10) **Patent No.:** **US D858,483 S**

(45) **Date of Patent:** **\*\* Sep. 3, 2019**

(54) **EARPHONE**

(71) Applicant: **MPOW TECHNOLOGY CO., LIMITED**, Hong Kong (HK)

(72) Inventor: **Zaihui Hu**, Shenzhen (CN)

(73) Assignee: **MPOW TECHNOLOGY CO., LIMITED**, Hong Kong (HK)

(\*\*) Term: **15 Years**

(21) Appl. No.: **29/667,042**

(22) Filed: **Oct. 18, 2018**

(51) **LOC (12) Cl.** ..... **14-01**

(52) **U.S. Cl.**  
USPC ..... **D14/205**

(58) **Field of Classification Search**  
USPC ..... D14/205, 188, 192; D29/112; 2/209;  
181/129, 130, 135; 379/430, 431;  
381/380, 381, 370, 374, 74; 455/90.3,  
455/575.1, 569.1  
CPC .... H04R 1/10; H04R 1/10166; H04R 1/1016;  
H04R 5/033; H04R 5/0335; H04R 25/00;  
H04R 25/02

See application file for complete search history.

(56) **References Cited**

**U.S. PATENT DOCUMENTS**

- 4,037,064 A \* 7/1977 Yasuda ..... H04R 1/08  
381/26
- 4,689,822 A \* 8/1987 Houng ..... H04R 1/1066  
381/371
- 4,829,571 A \* 5/1989 Kakiuchi ..... H04R 1/1033  
381/309
- 5,018,599 A \* 5/1991 Dohi ..... H04R 1/1008  
181/129
- D318,053 S \* 7/1991 Ludeke ..... D14/205
- 5,068,923 A \* 12/1991 Sjoqvist ..... A61F 11/14  
181/129
- D328,074 S \* 7/1992 Yamazaki ..... D14/205

- 5,185,807 A \* 2/1993 Bergin ..... H04R 1/1066  
181/128
- D346,802 S \* 5/1994 Sacherman ..... D14/206
- D351,172 S \* 10/1994 Nakamura ..... D14/205
- 5,406,037 A \* 4/1995 Nageno ..... H04R 5/0335  
181/129
- D369,604 S \* 5/1996 Morimiya ..... D14/205
- 5,640,458 A \* 6/1997 Nishiguchi ..... G11C 7/16  
381/2

(Continued)

**FOREIGN PATENT DOCUMENTS**

EM 002562454-0001 2/2015

*Primary Examiner* — Paula Allen Greene

(74) *Attorney, Agent, or Firm* — JCIPRNET

(57) **CLAIM**

The ornamental design for an earphone, as shown and described.

**DESCRIPTION**

FIG. 1 is a first perspective view of an earphone showing my new design;

FIG. 2 is a second perspective view thereof;

FIG. 3 is a front view thereof;

FIG. 4 is a rear view thereof;

FIG. 5 is a left side view thereof;

FIG. 6 is a right side view thereof;

FIG. 7 is a top view thereof;

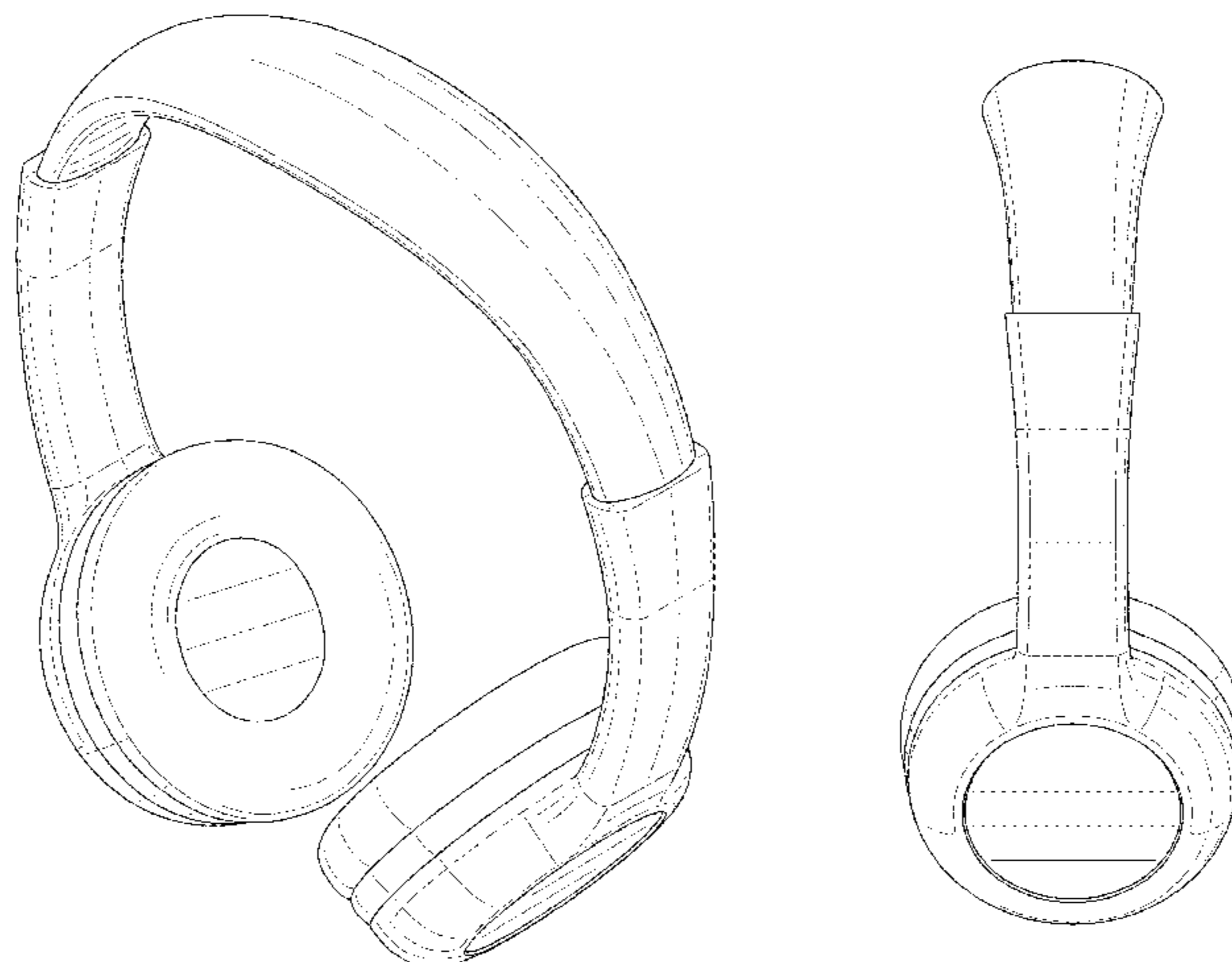
FIG. 8 is a bottom view thereof;

FIG. 9 is a third perspective view thereof showing the earphone in a first use state; and,

FIG. 10 is a fourth perspective view thereof showing the earphone in a second use state.

The broken lines immediately adjacent the shaded areas represent the bounds of the claimed design while all other broken lines are directed to environment and are for illustrate purposes only; the broken lines form no part of the claimed design.

**1 Claim, 8 Drawing Sheets**



(56)

References Cited

U.S. PATENT DOCUMENTS

6,263,085 B1 \* 7/2001 Weffer ..... H04R 1/1075  
 379/430  
 6,654,966 B2 \* 12/2003 Rolla ..... H04R 1/1066  
 2/209  
 D491,163 S \* 6/2004 Green ..... D14/205  
 D494,154 S \* 8/2004 Polito ..... D14/206  
 7,020,902 B1 \* 4/2006 Tyler ..... A61F 11/14  
 2/209  
 D534,155 S \* 12/2006 Obata ..... D14/205  
 D540,301 S \* 4/2007 Obata ..... D14/205  
 D541,255 S \* 4/2007 Taylor ..... D14/205  
 7,388,960 B2 \* 6/2008 Kuo ..... H04R 1/1041  
 379/430  
 7,412,070 B2 \* 8/2008 Kleinschmidt ..... H04R 1/1083  
 381/370  
 D616,418 S \* 5/2010 Morisawa ..... D14/205  
 D625,705 S \* 10/2010 Ohori ..... D14/205  
 D632,668 S \* 2/2011 Brunner ..... D14/205

8,098,872 B2 \* 1/2012 Chang ..... H04R 1/1075  
 381/370  
 D657,344 S \* 4/2012 Brunner ..... D14/205  
 D662,080 S \* 6/2012 Carr ..... D14/205  
 D663,716 S \* 7/2012 Hardi ..... D14/205  
 D664,117 S \* 7/2012 Tappeiner ..... D14/205  
 D669,451 S \* 10/2012 Tappeiner ..... D14/205  
 D673,136 S \* 12/2012 Kelly ..... D14/205  
 D673,520 S \* 1/2013 Tan ..... D14/205  
 D683,329 S \* 5/2013 Hagelin ..... D14/205  
 D691,984 S \* 10/2013 Wang ..... D14/205  
 D699,702 S \* 2/2014 Chen ..... D14/205  
 D721,052 S \* 1/2015 Carr ..... D14/205  
 D728,512 S \* 5/2015 Nakagawa ..... D14/205  
 D731,457 S \* 6/2015 Brunner ..... D14/205  
 D732,000 S \* 6/2015 Brunner ..... D14/205  
 D738,350 S \* 9/2015 Brunner ..... D14/205  
 D760,687 S \* 7/2016 Brunner ..... D14/205  
 D765,055 S \* 8/2016 Hsieh ..... D14/205  
 D786,824 S 5/2017 Hembrey  
 D794,601 S \* 8/2017 Riggs ..... D14/205

\* cited by examiner

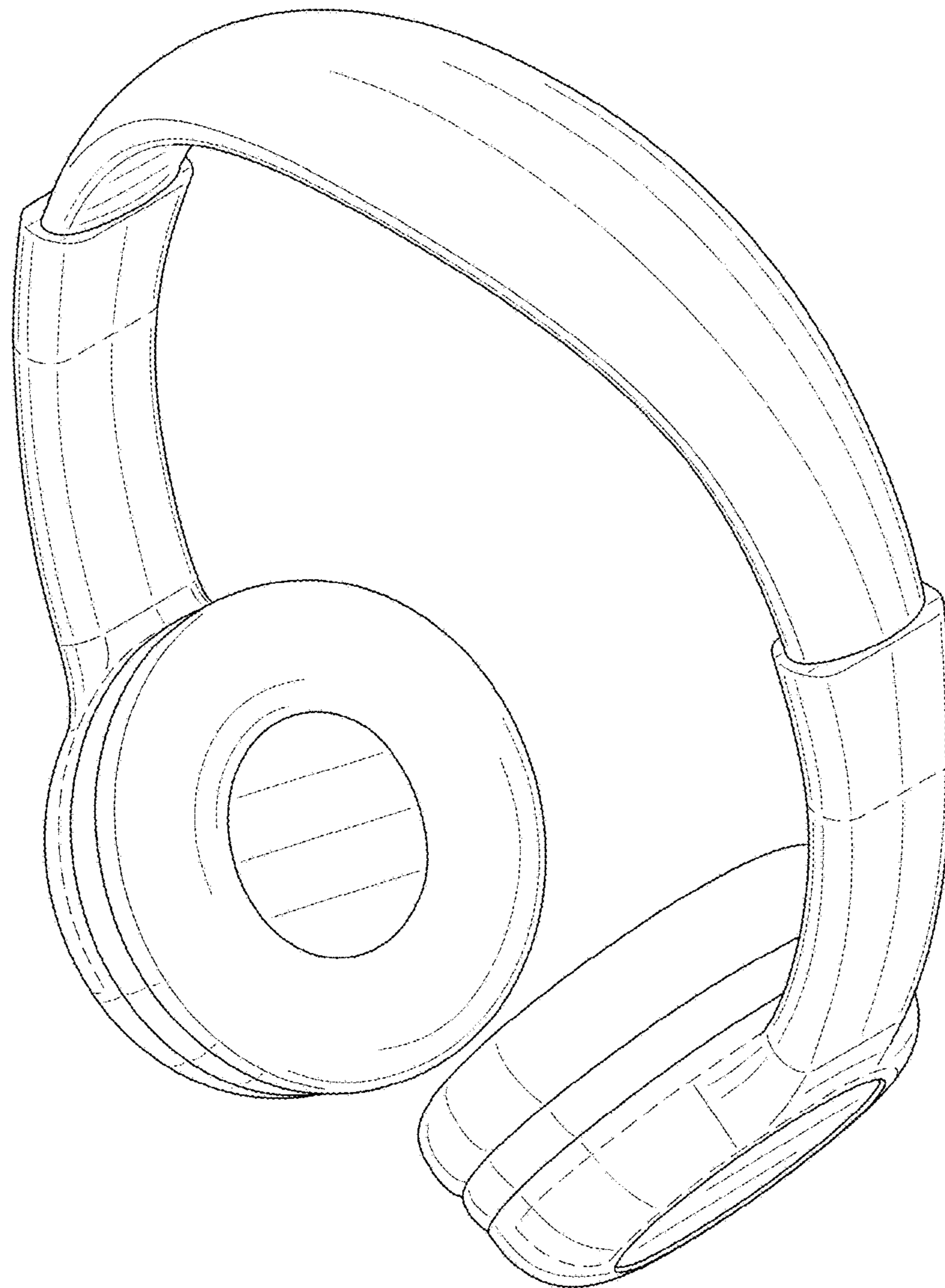


FIG. 1

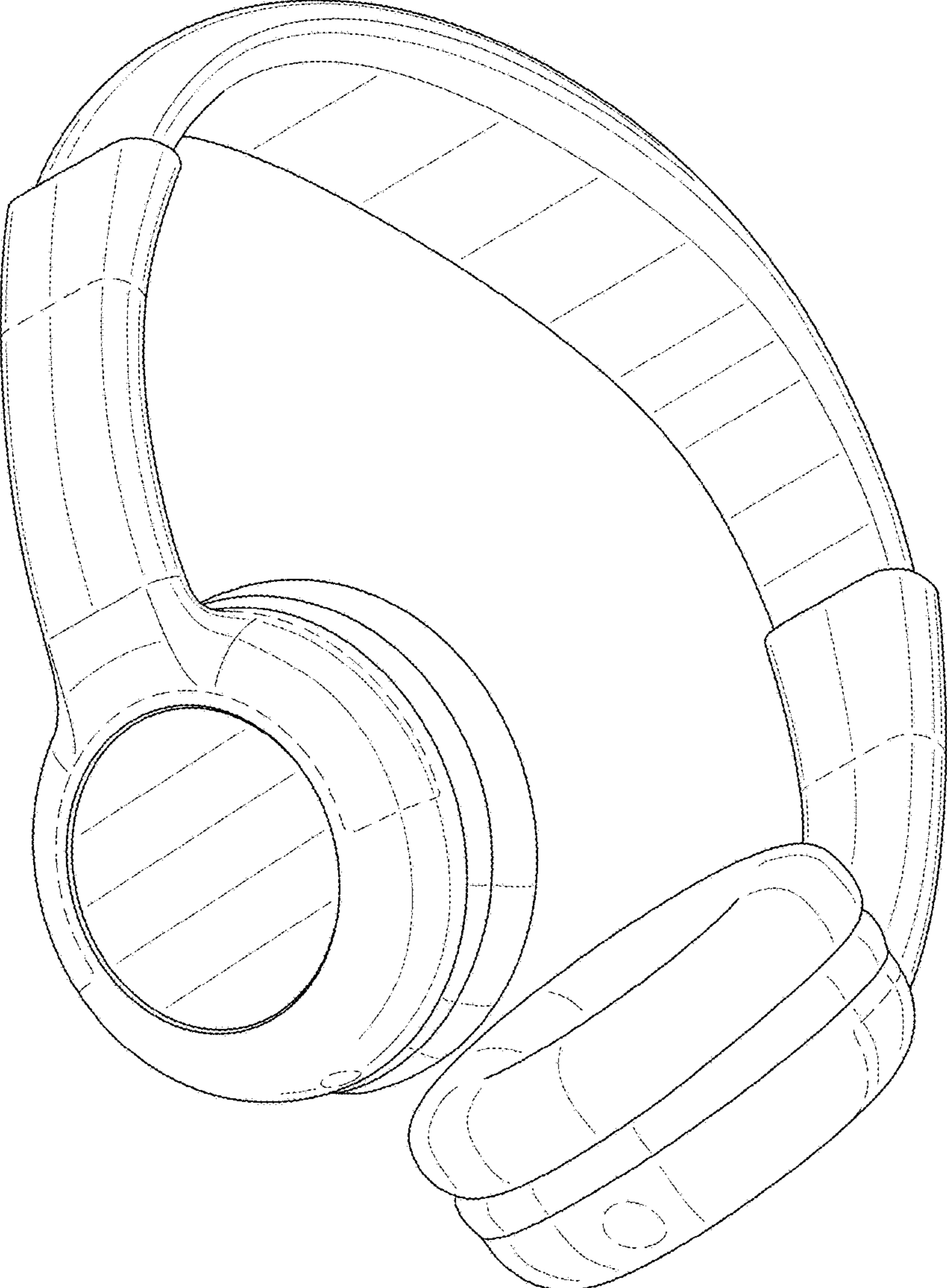


FIG. 2

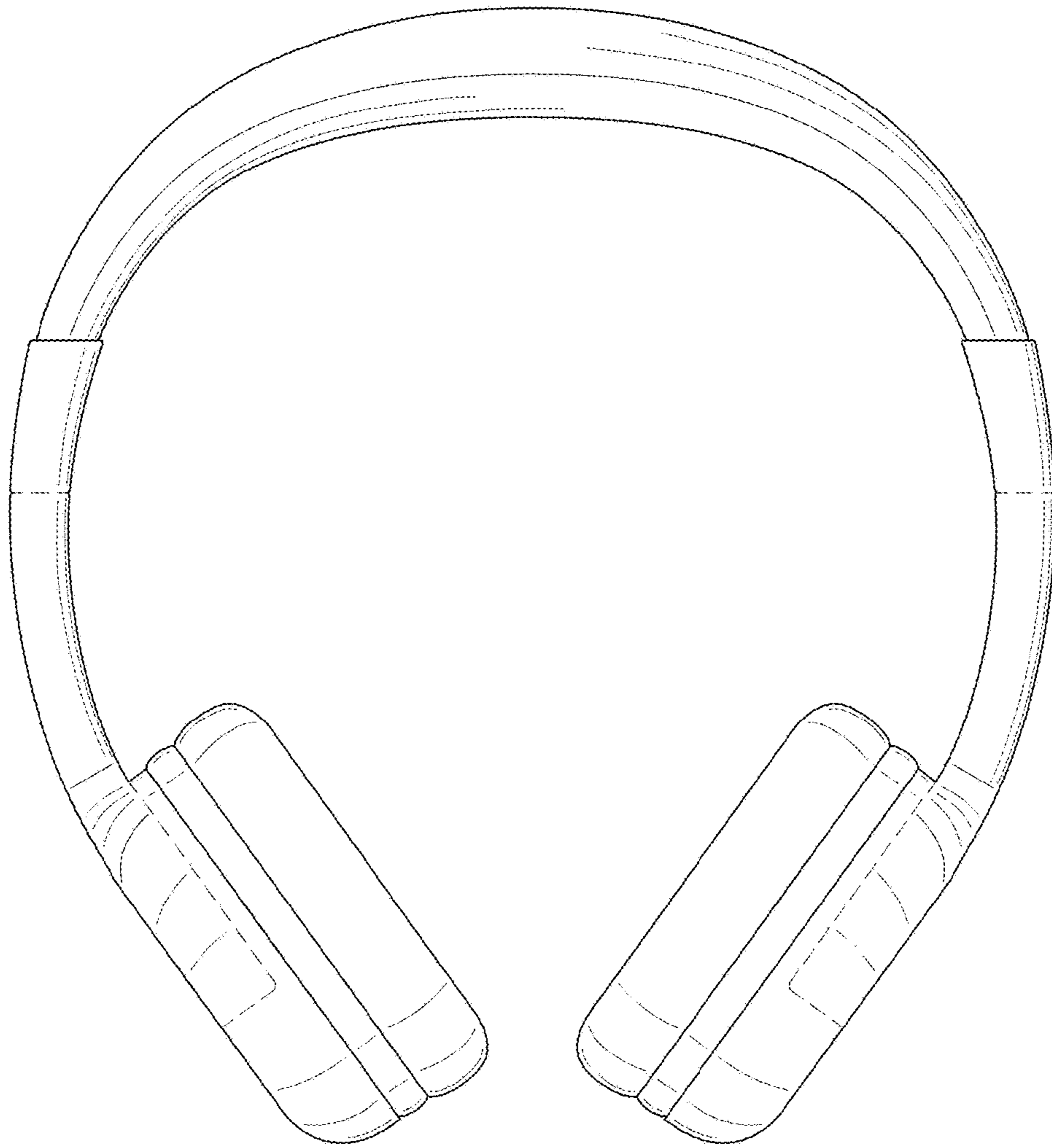


FIG. 3

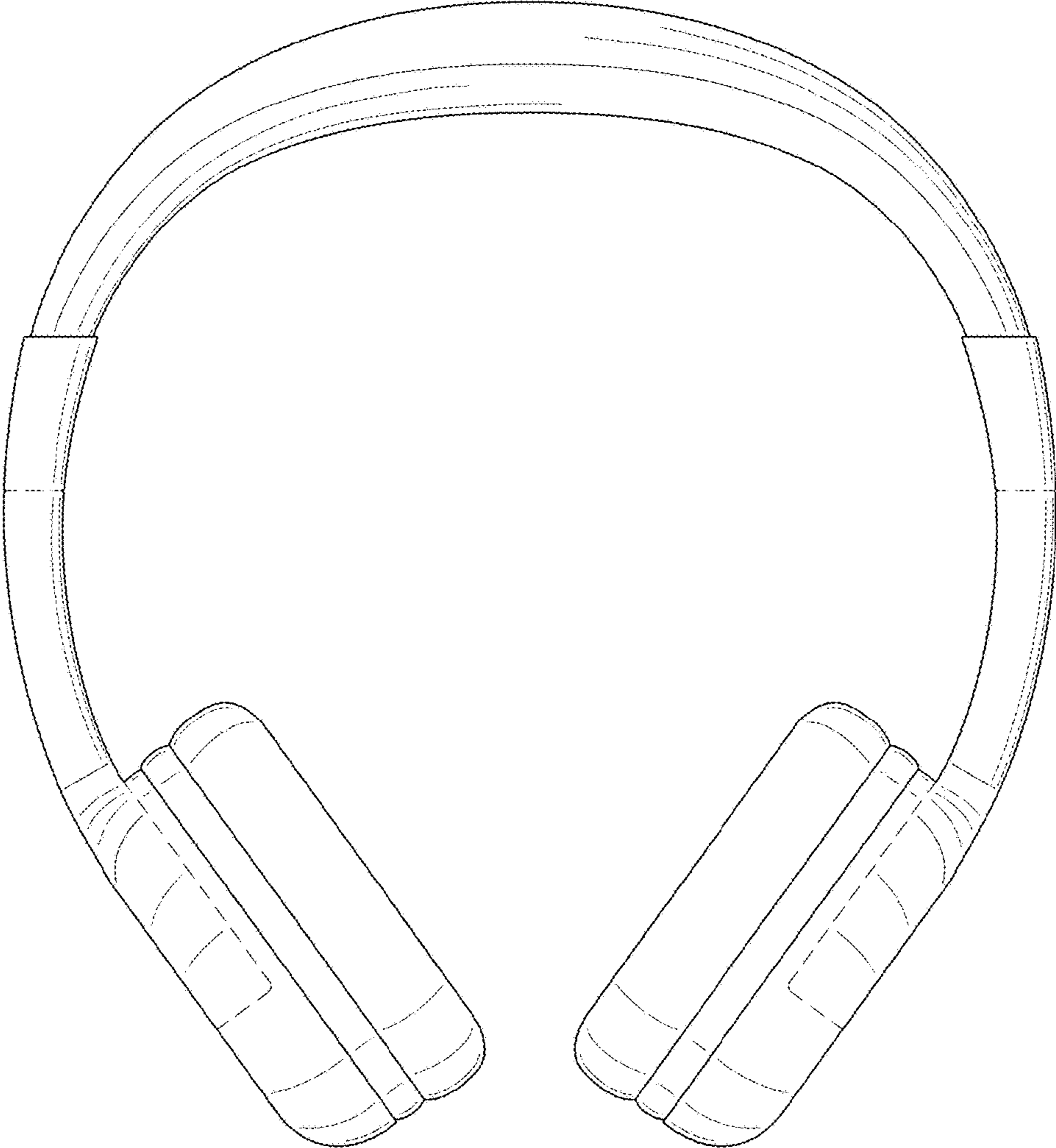


FIG. 4

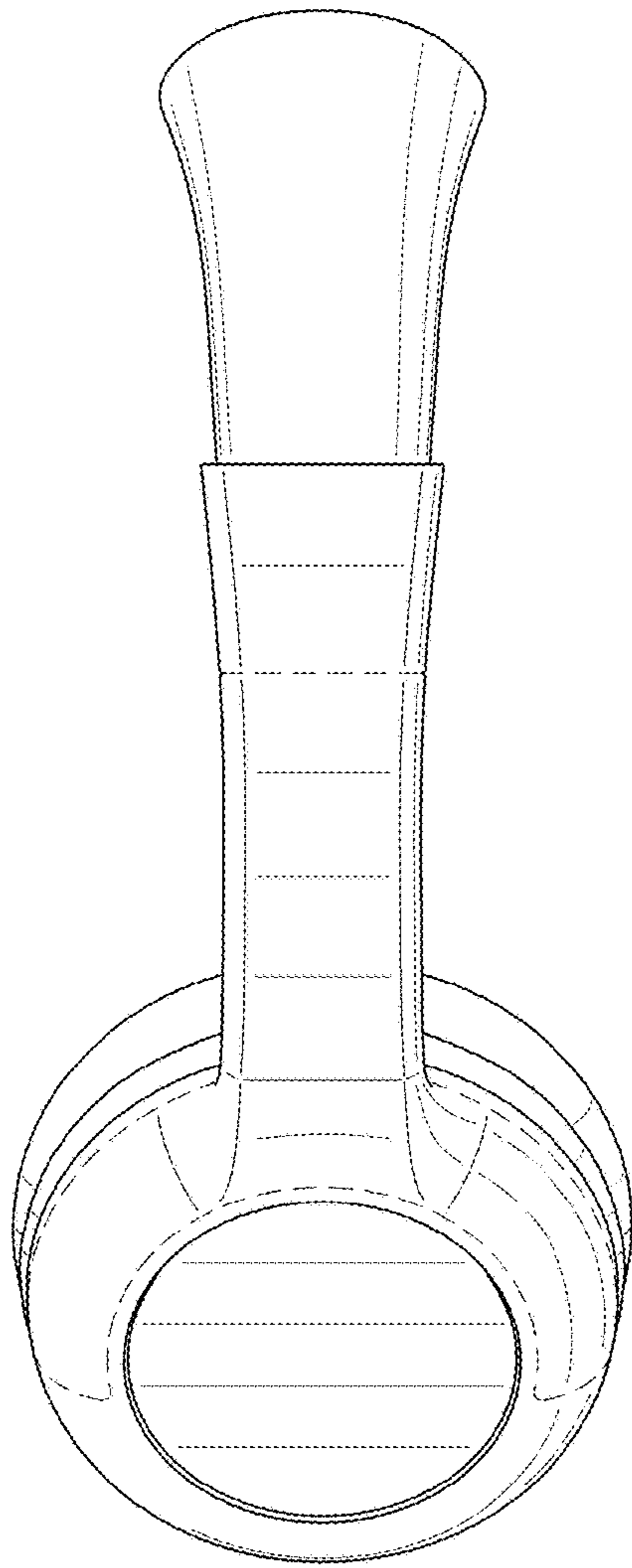


FIG. 5

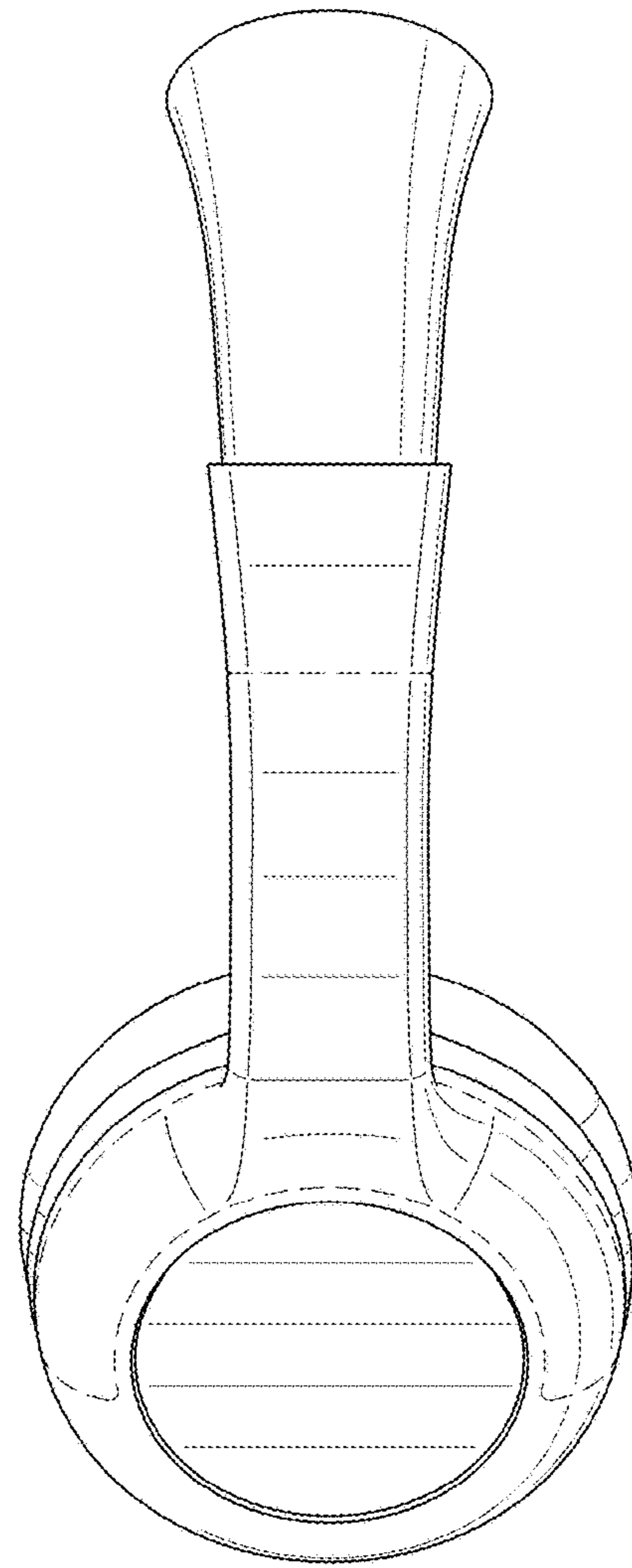


FIG. 6

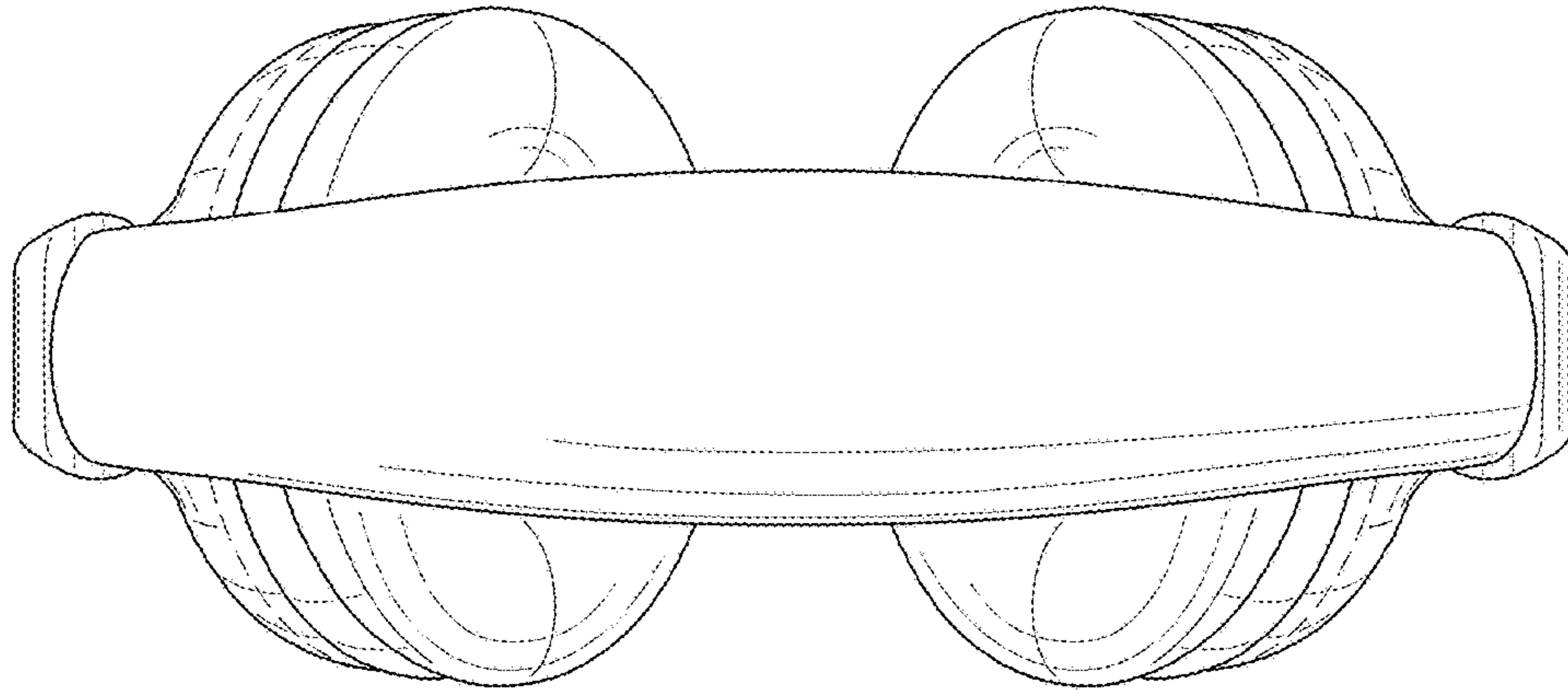


FIG. 7

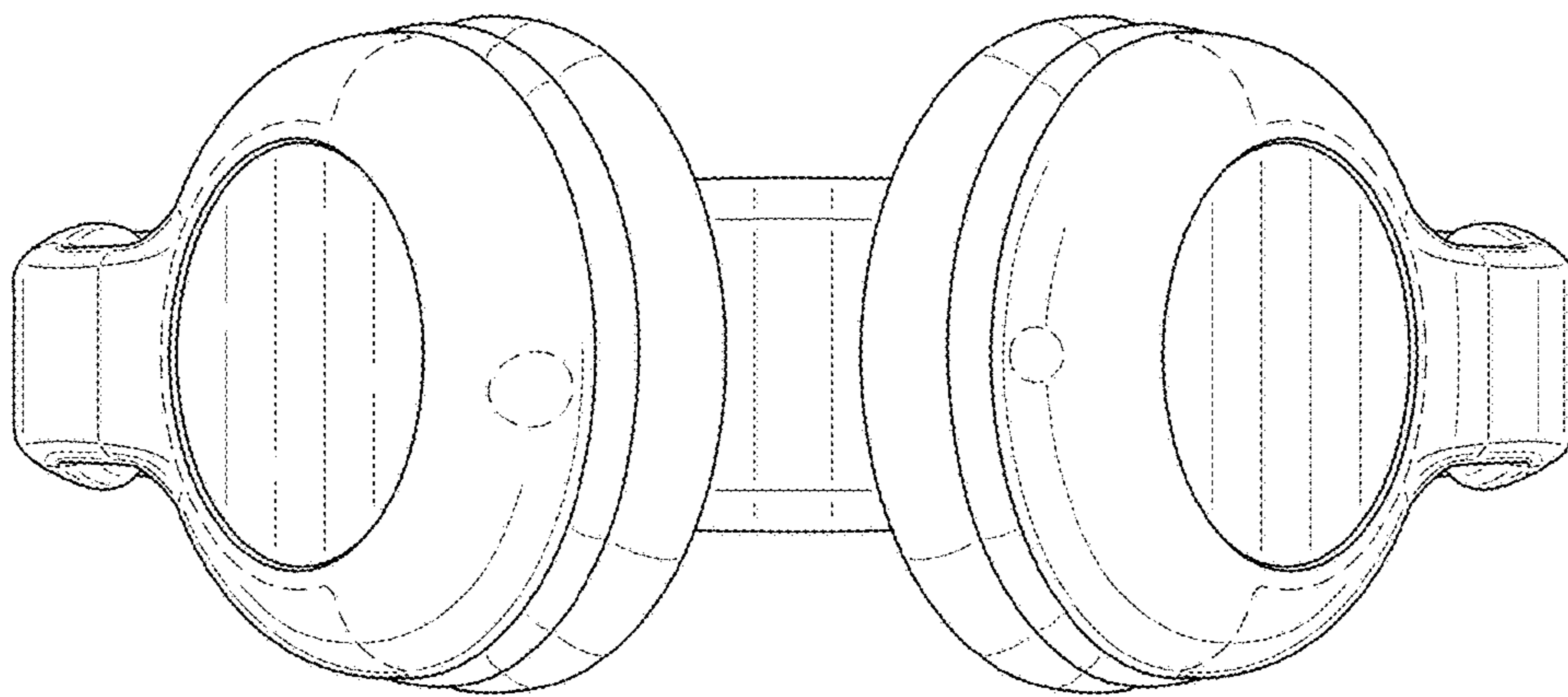


FIG. 8



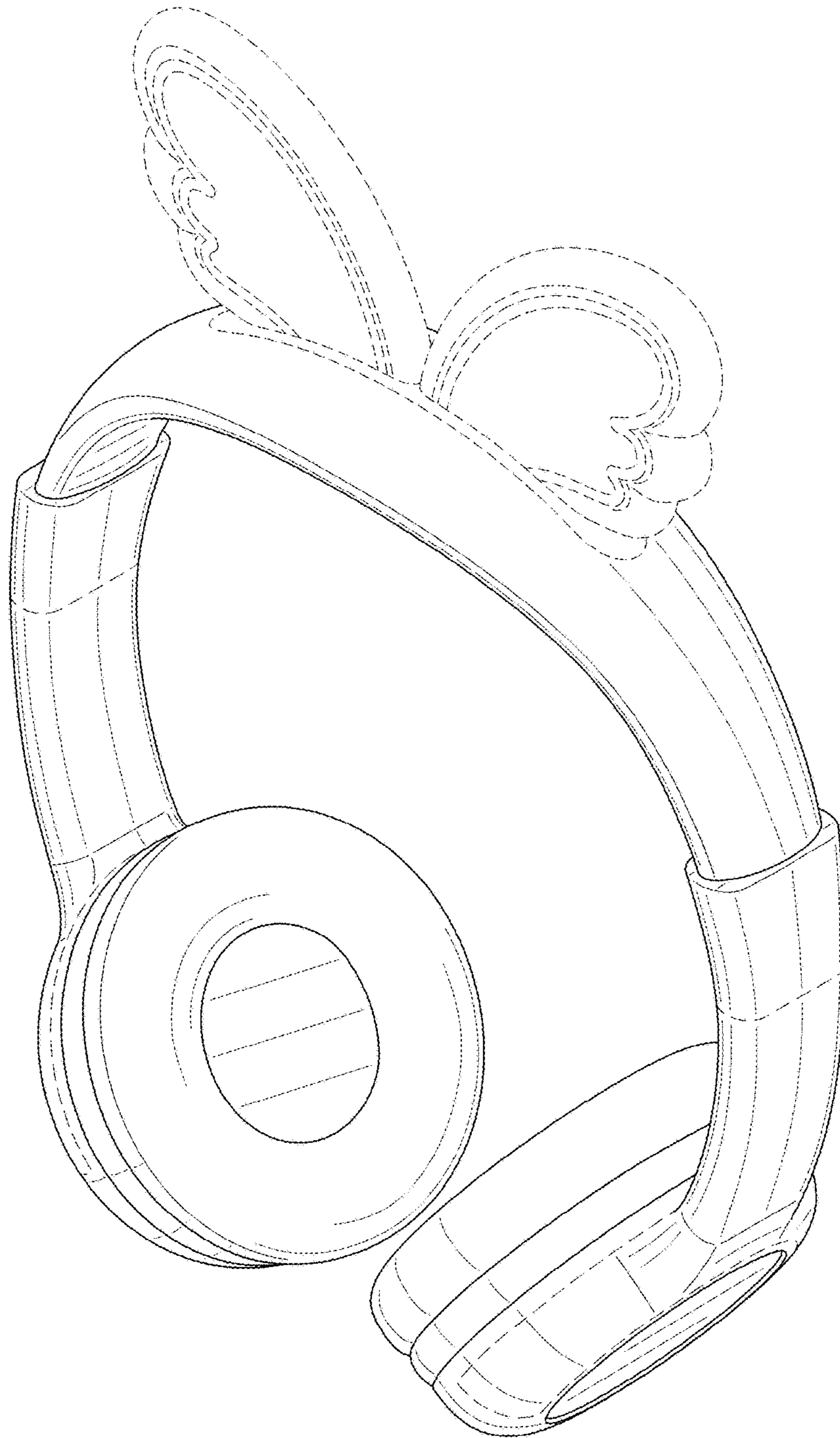


FIG. 9

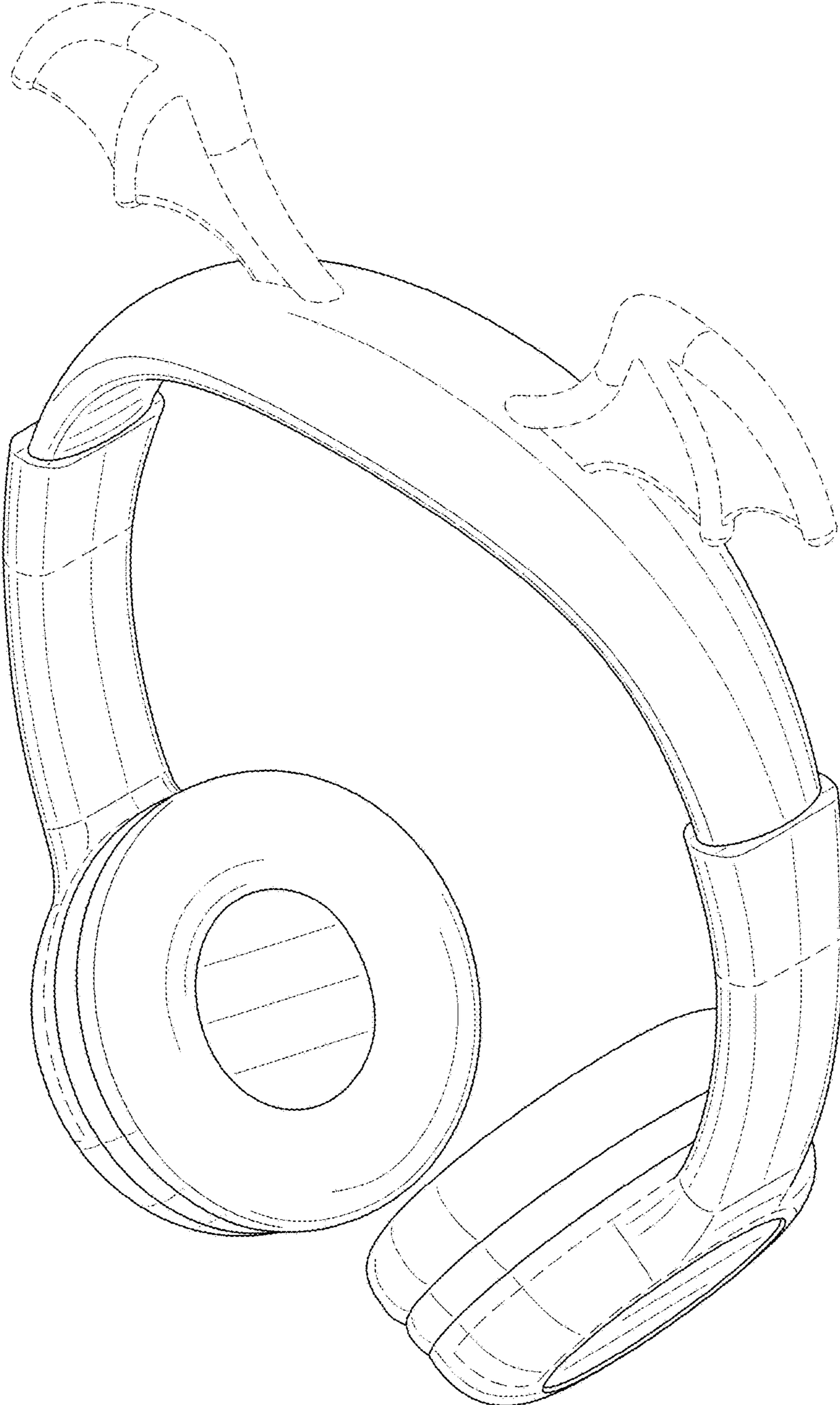


FIG. 10