



US00D858480S

(12) **United States Design Patent**
Weber

(10) **Patent No.:** **US D858,480 S**
(45) **Date of Patent:** **** Sep. 3, 2019**

(54) **PART OF A PAIR OF HEADPHONES**

(71) Applicant: **Sennheiser electronic GmbH & Co. KG, Wedemark (DE)**

(72) Inventor: **Christian Weber, Zürich (CH)**

(73) Assignee: **Sennheiser electronic GmbH & Co. KG, Wedemark (DE)**

(**) Term: **15 Years**

(21) Appl. No.: **29/624,445**

(22) Filed: **Nov. 1, 2017**

(30) **Foreign Application Priority Data**

May 9, 2017 (EM) 003992239-0001
May 9, 2017 (EM) 003992239-0002

(51) **LOC (12) Cl.** **14-01**

(52) **U.S. Cl.**
USPC **D14/205**

(58) **Field of Classification Search**

USPC D14/205, 372; 181/128, 129, 130;
379/430, 431; 381/380, 381, 370, 374,
381/74; 455/90.3, 569.1, 575.1
CPC H04R 1/10; H04R 25/00; H04R 25/02;
H04R 1/1016; H04R 1/1066; H04R
1/105; H04R 1/1041; H04R 1/1058;
H04R 1/1033

See application file for complete search history.

(56) **References Cited**

U.S. PATENT DOCUMENTS

D593,067 S * 5/2009 Millora D14/205
D732,510 S * 6/2015 Masters D14/223
D736,740 S * 8/2015 Hwang D14/205
D740,785 S * 10/2015 Chen D14/205
D743,933 S * 11/2015 Park D14/205

D743,947 S * 11/2015 Yoshimura D14/223
D745,490 S * 12/2015 Zheng D14/205
9,232,366 B1 * 1/2016 Charlier H04R 1/1041
D756,958 S * 5/2016 Lee D14/205
D756,959 S * 5/2016 Lee D14/205
D762,617 S * 8/2016 Park D14/205
D763,227 S * 8/2016 Lee D14/205
D763,822 S * 8/2016 Lee D14/205
D766,210 S * 9/2016 Graylin D14/205
9,445,181 B1 * 9/2016 Atwater H04R 1/105
D768,600 S * 10/2016 Chen D14/205

(Continued)

Primary Examiner — Paula Allen Greene

(74) *Attorney, Agent, or Firm* — Haug Partners LLP

(57) **CLAIM**

The ornamental design for a part of a pair of headphones, as shown and described.

DESCRIPTION

FIG. 1 is a front view of the part of a pair of headphones in accordance with an embodiment of the new design.

FIG. 2 is a left side view of the part of a pair of headphones in accordance with the embodiment of the new design.

FIG. 3 is a right side view of the part of a pair of headphones in accordance with the embodiment of the new design.

FIG. 4 is a rear view of the part of a pair of headphones in accordance with the embodiment of the new design.

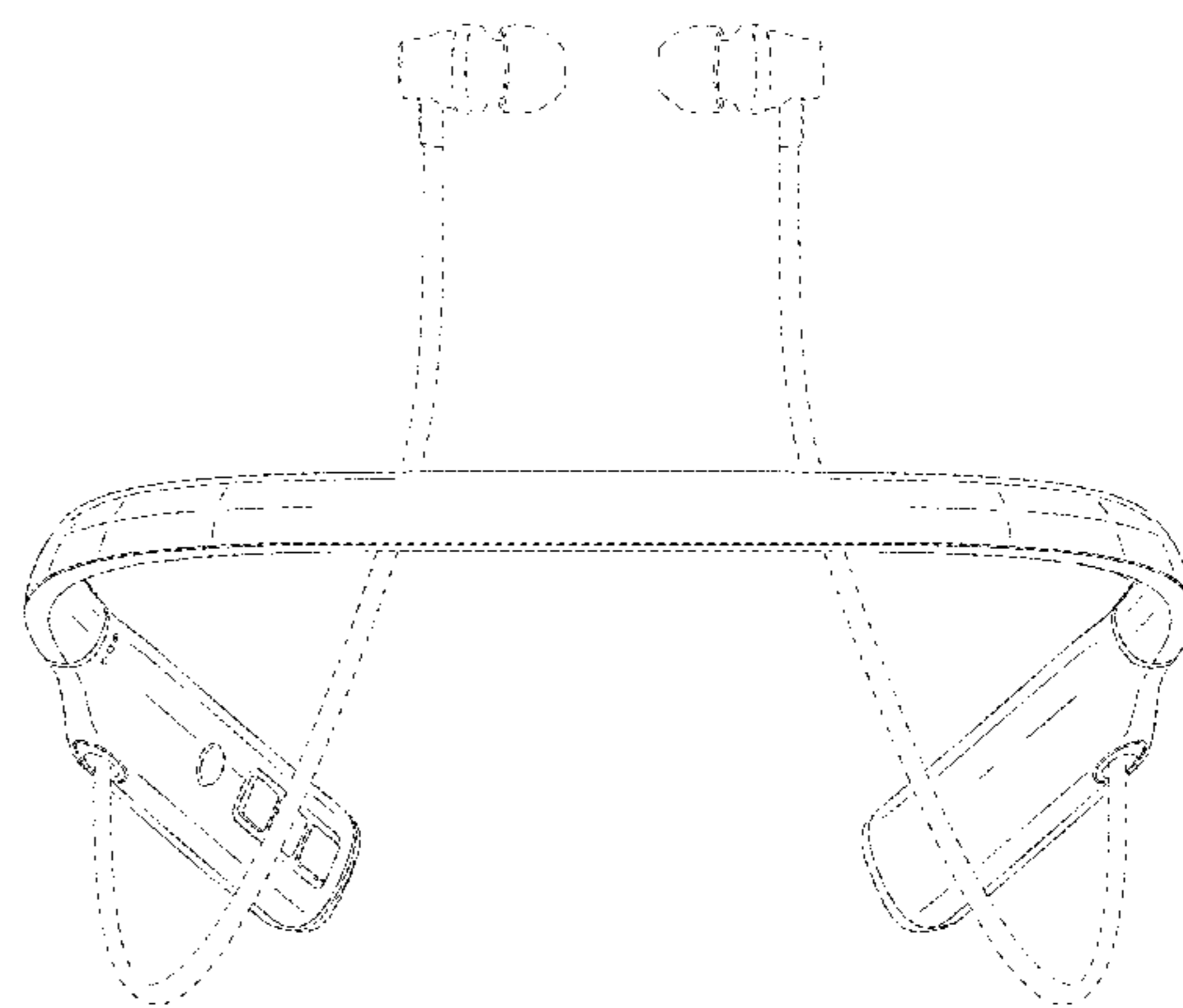
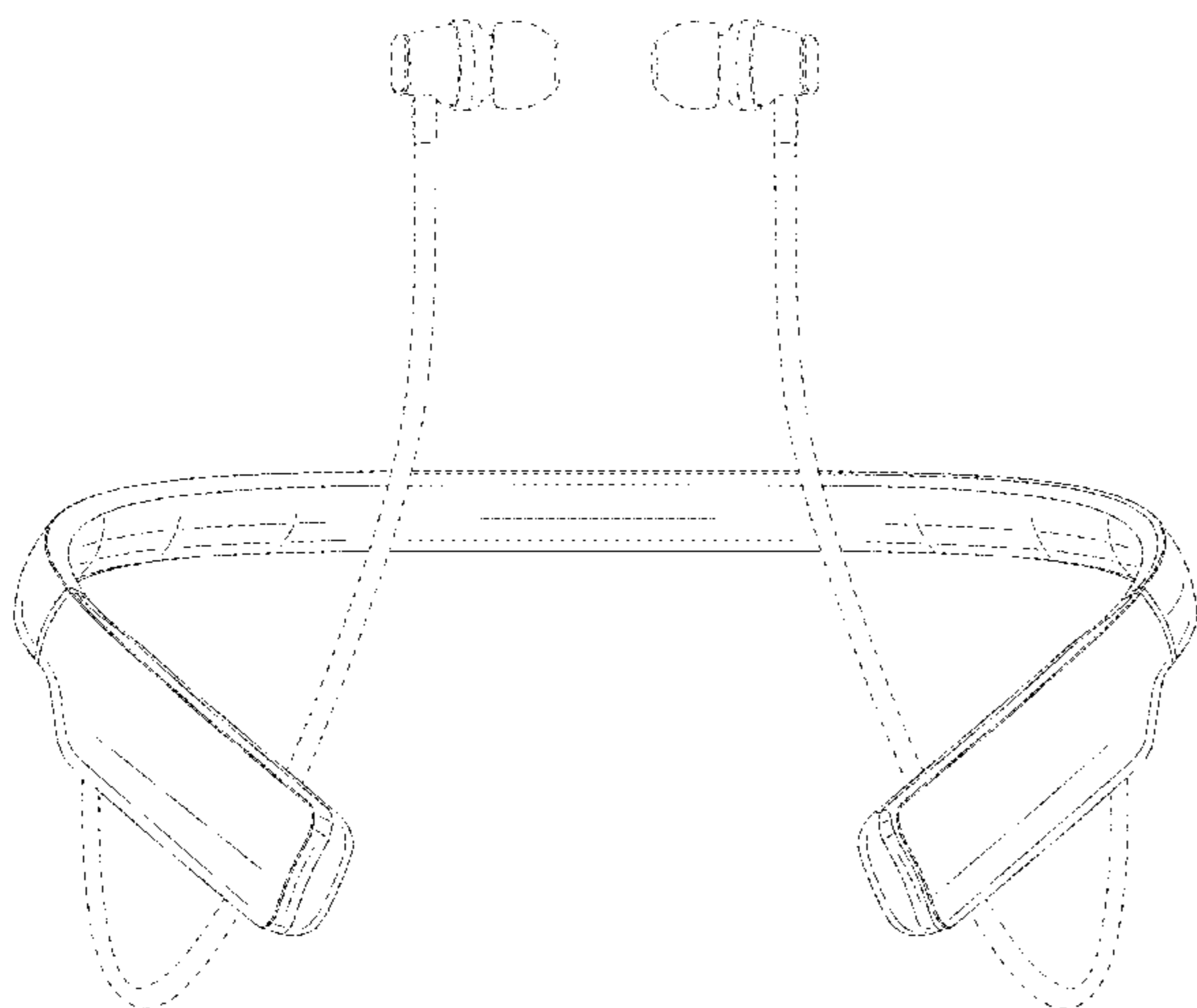
FIG. 5 is a top view of the part of a pair of headphones in accordance with the embodiment of the new design.

FIG. 6 is a bottom view of the part of a pair of headphones in accordance with the embodiment of the new design; and,

FIG. 7 is a front-left perspective view of the part of a pair of headphones in accordance with the embodiment of the new design.

The broken lines shown in the figures are for the purpose of illustrating structure that forms no part of the claimed design.

1 Claim, 7 Drawing Sheets



(56)

References Cited

U.S. PATENT DOCUMENTS

D771,011 S * 11/2016 Ott H04R 1/1016
 D14/205
 D771,587 S * 11/2016 Iwane D14/205
 D771,588 S * 11/2016 Choe D14/205
 D772,195 S * 11/2016 Lee D14/205
 D772,196 S * 11/2016 Choi D14/205
 D772,843 S * 11/2016 Lee D14/205
 D772,845 S * 11/2016 Lim D14/205
 D774,017 S * 12/2016 Ahn D14/205
 D776,636 S * 1/2017 Lim D14/205
 D777,136 S * 1/2017 Erbeus D14/205
 D777,137 S * 1/2017 Erbeus D14/205
 D781,817 S * 3/2017 Lee D14/205
 D796,488 S * 9/2017 Yoshimura D14/223
 D800,088 S * 10/2017 Kim D14/205
 D803,186 S * 11/2017 Park D14/205
 D806,053 S * 12/2017 Lee D14/205
 D810,719 S * 2/2018 Nagamine D14/205
 D816,636 S * 5/2018 Birger D14/205
 D820,811 S * 6/2018 Kim D14/205
 D830,995 S * 10/2018 Shin D14/205
 D830,996 S * 10/2018 Park D14/205
 D830,998 S * 10/2018 Kim D14/205
 D830,999 S * 10/2018 Kim D14/205
 D831,611 S * 10/2018 Kim D14/205
 D832,234 S * 10/2018 Park D14/205
 D832,817 S * 11/2018 Park D14/205

D833,997 S * 11/2018 Ando D14/205
 D833,998 S * 11/2018 Park D14/205
 D835,065 S * 12/2018 Park D14/205
 D837,184 S * 1/2019 Zhu D14/205
 D842,838 S * 3/2019 Li D14/205
 D843,968 S * 3/2019 Li D14/205
 D844,585 S * 4/2019 Sogabe D14/205
 2007/0003093 A1 * 1/2007 Ito H04R 1/1066
 381/378
 2007/0104333 A1 * 5/2007 Kuo H04R 1/1025
 381/74
 2008/0247590 A1 * 10/2008 Sun H04R 1/105
 381/381
 2009/0274335 A1 * 11/2009 Cheung H04R 5/0335
 381/374
 2013/0329903 A1 * 12/2013 Ting H04R 1/105
 381/74
 2015/0264474 A1 * 9/2015 Seo G06F 3/165
 381/74
 2016/0050487 A1 * 2/2016 Kim H04R 1/323
 381/74
 2016/0381453 A1 * 12/2016 Ushakov H04R 1/1033
 381/71.6
 2017/0070801 A1 * 3/2017 Nguyen H04R 1/105
 2017/0223445 A1 * 8/2017 Bullen H04R 1/1041
 2017/0311072 A1 * 10/2017 Seo H04M 1/02
 2018/0063620 A1 * 3/2018 Kim H04R 1/1025
 2018/0152213 A1 * 5/2018 Lee H04B 1/385
 2018/0184186 A1 * 6/2018 Kang H04R 1/105

* cited by examiner

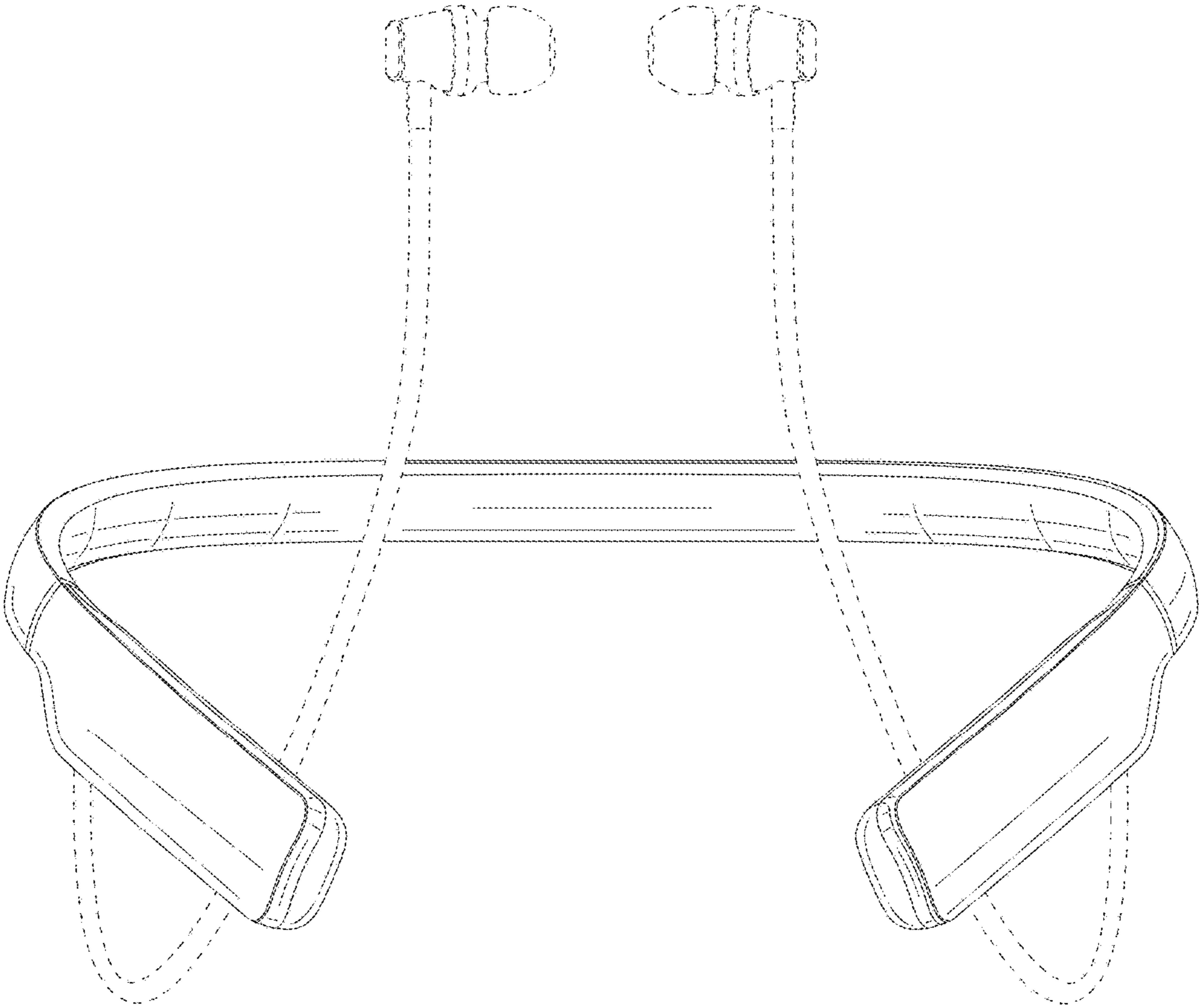


Fig. 1

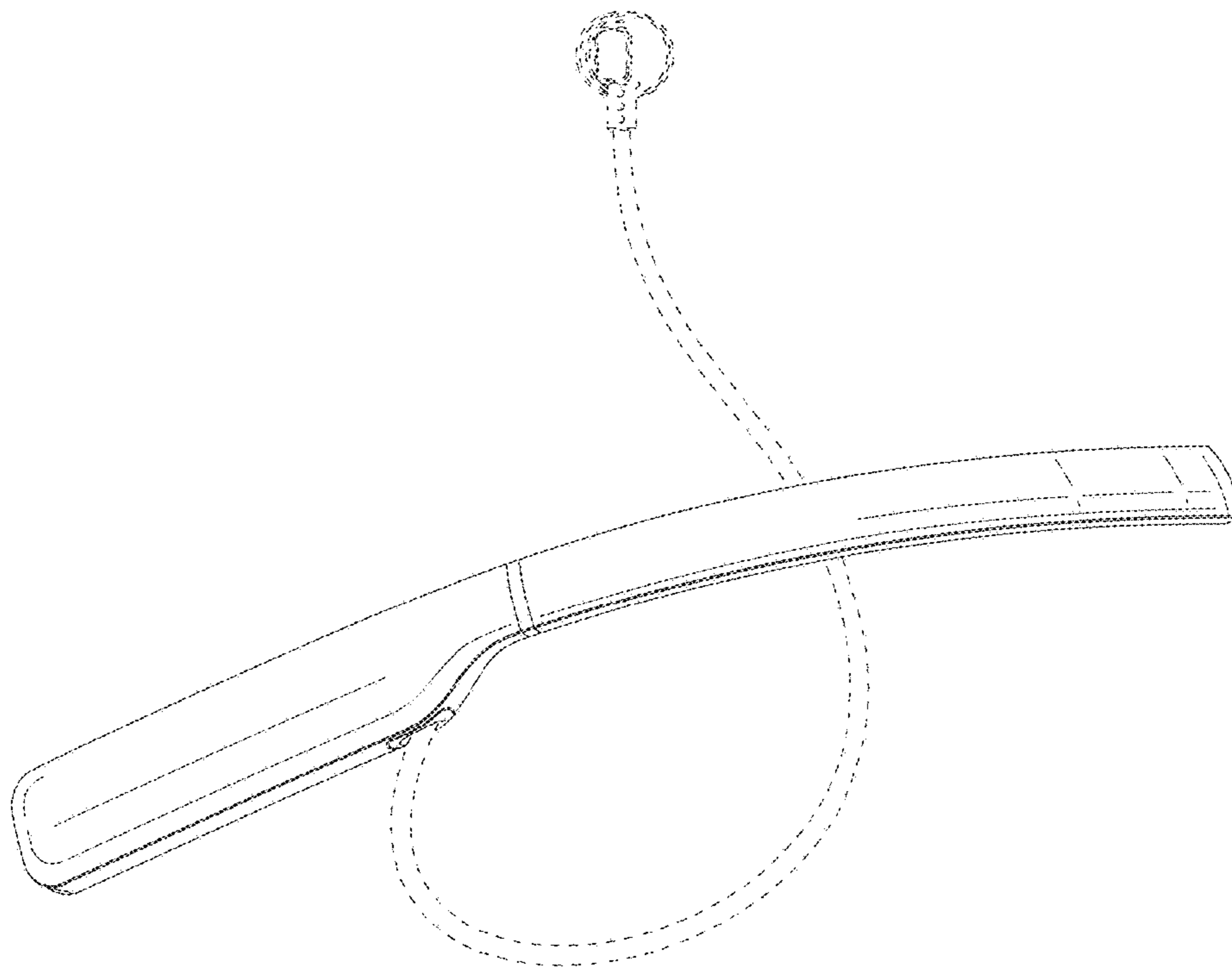


Fig. 2

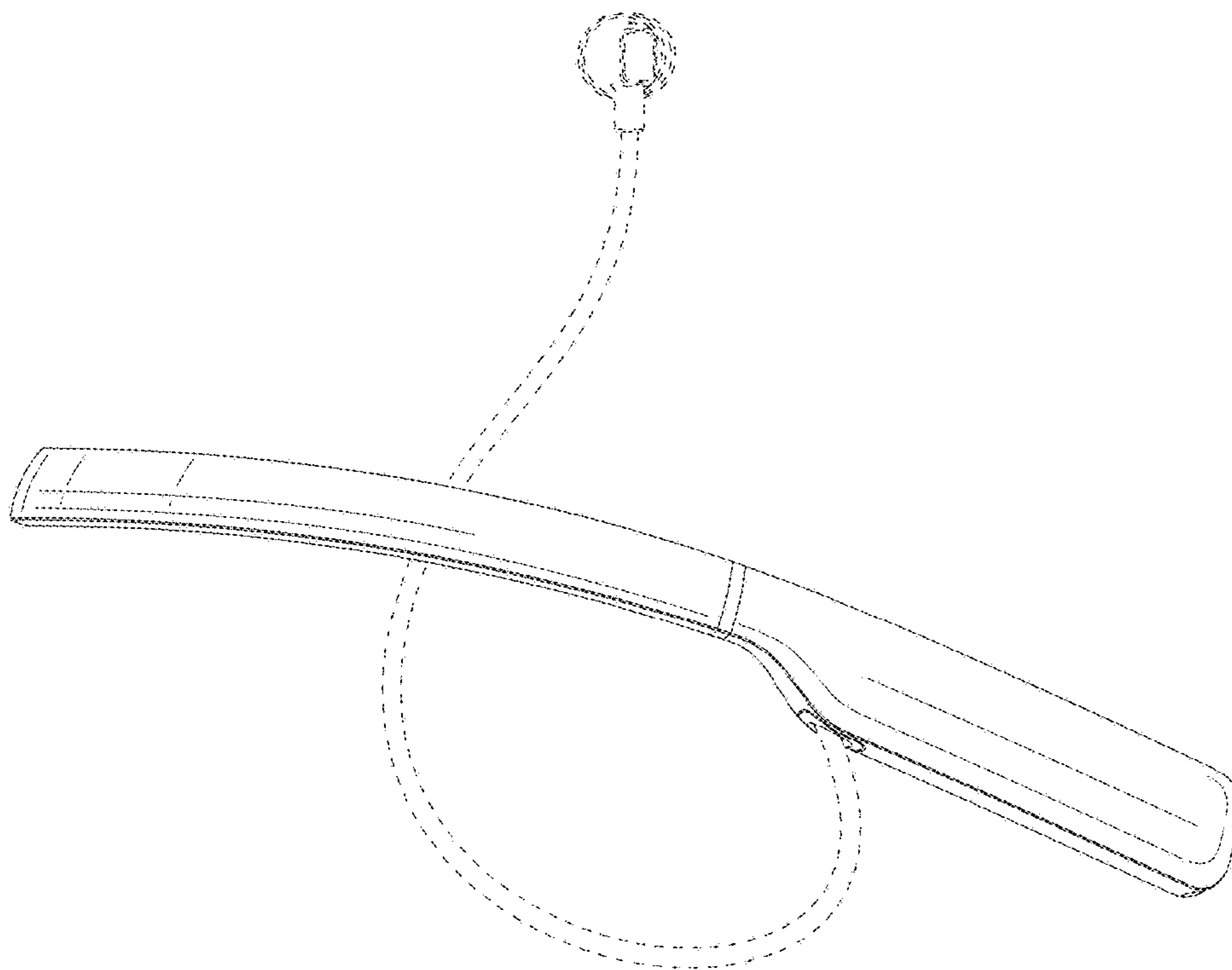


Fig. 3

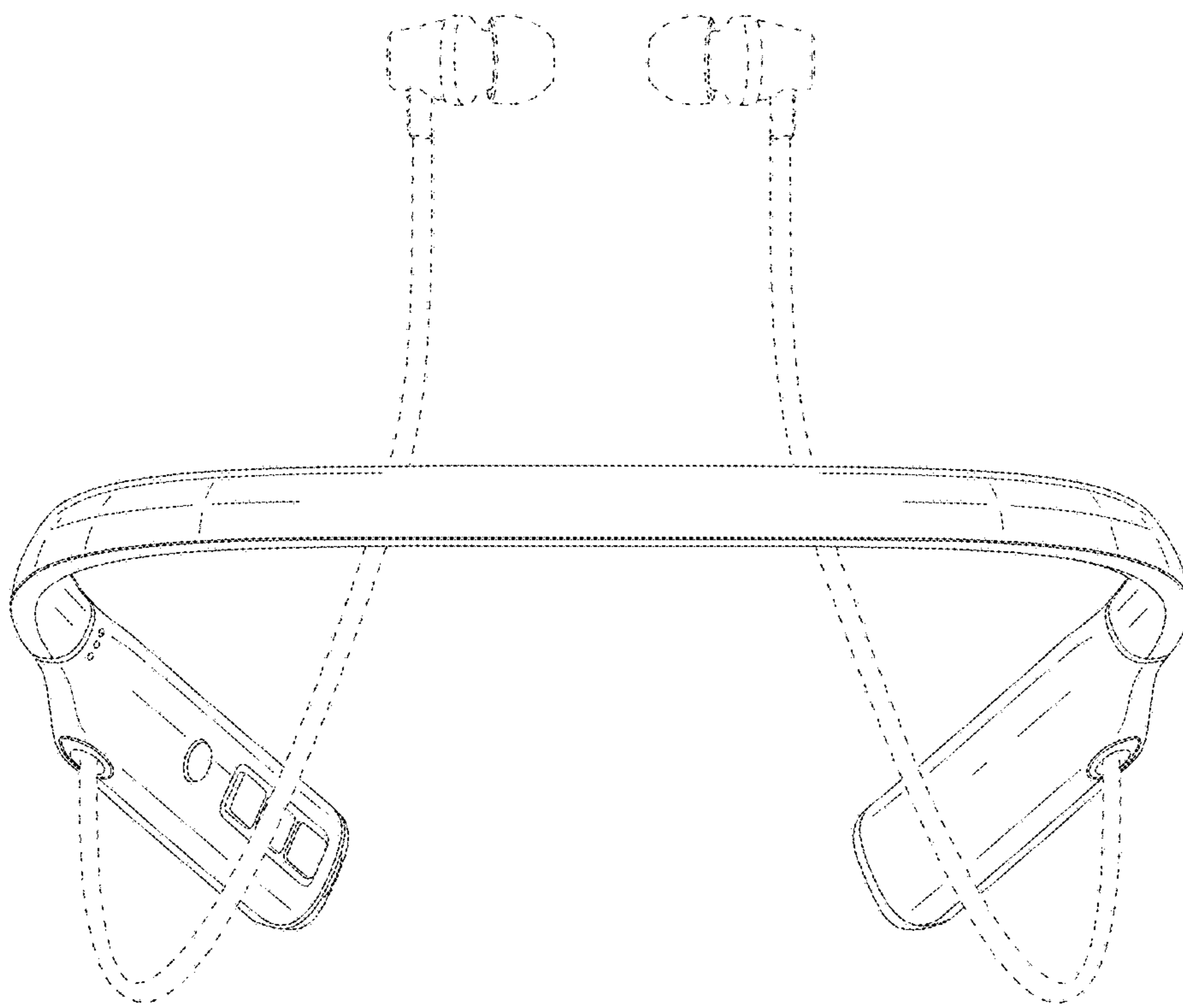


Fig. 4

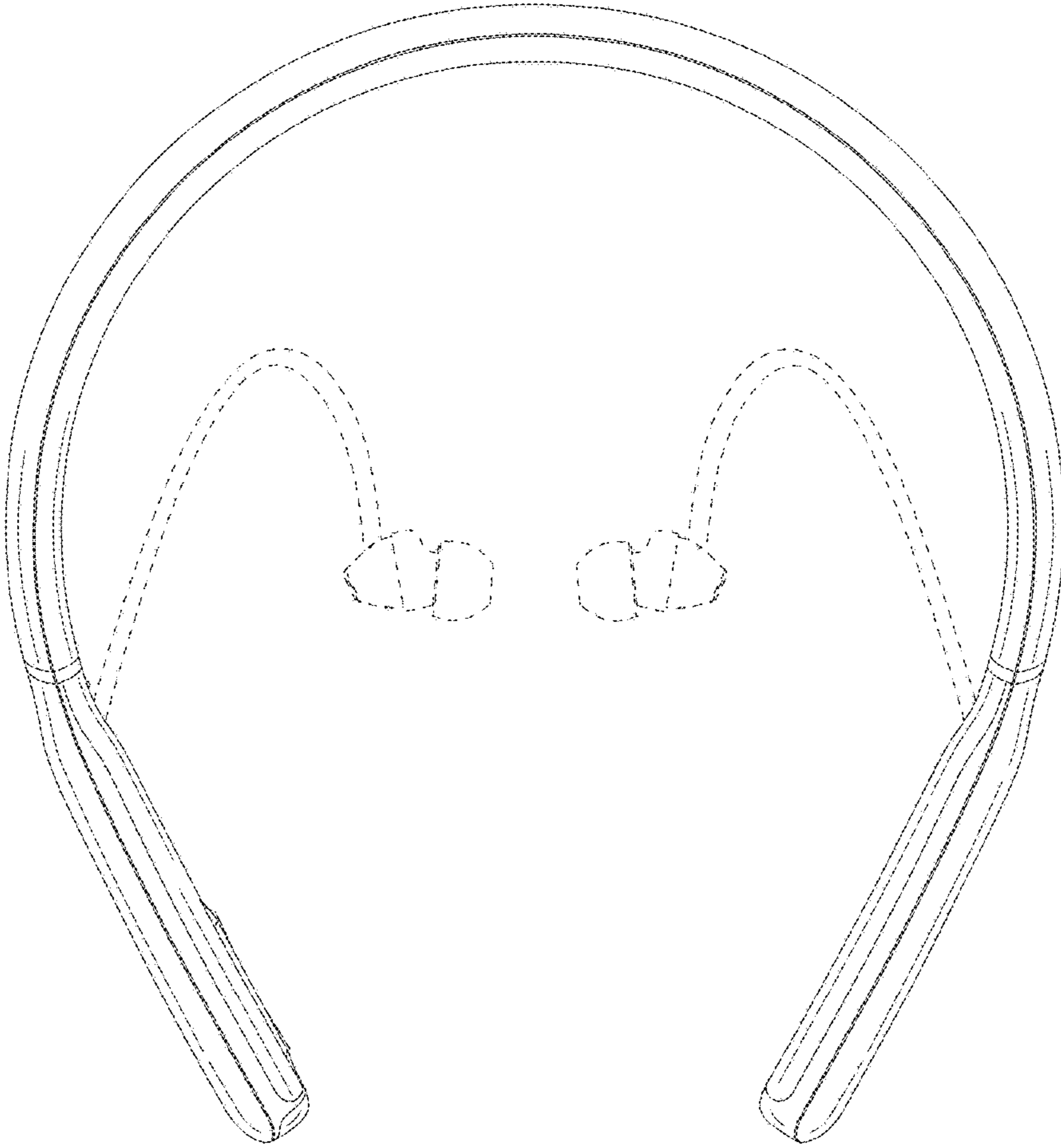


Fig. 5



Fig. 6

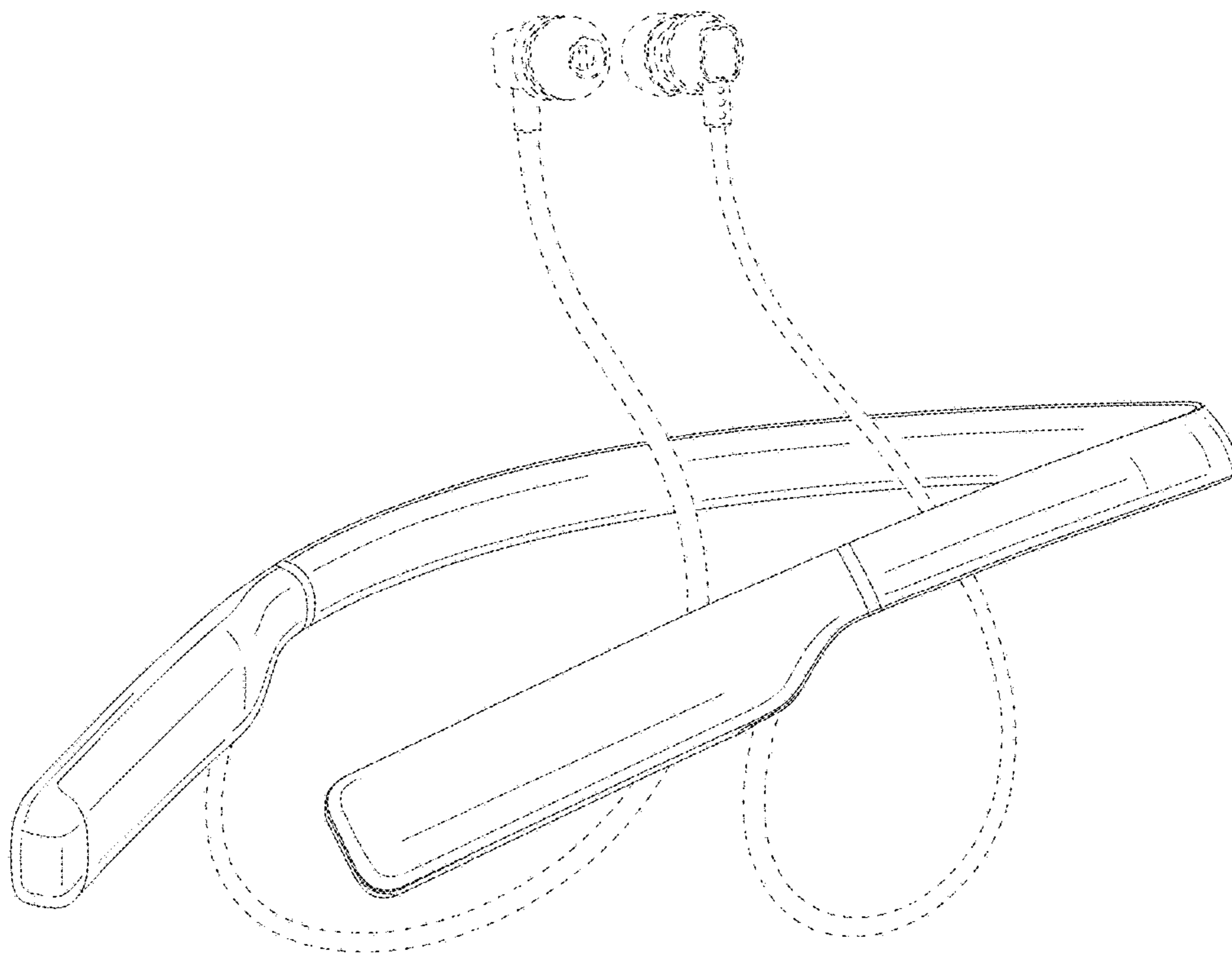


Fig. 7