



US00D858479S

(12) **United States Design Patent**  
**Saga et al.**

(10) **Patent No.:** **US D858,479 S**

(45) **Date of Patent:** **\*\* Sep. 3, 2019**

(54) **RADIO TRANSMITTER**

(71) Applicant: **FUJITSU LIMITED**, Kawasaki-shi (JP)

(72) Inventors: **Susumu Saga**, Kawasaki (JP); **Kazuto Ikeda**, Kawasaki (JP); **Yuuta Nakaya**, Kawasaki (JP)

(73) Assignee: **FUJITSU LIMITED**, Kawasaki (JP)

(\*\*) Term: **15 Years**

(21) Appl. No.: **29/605,565**

(22) Filed: **May 26, 2017**

(30) **Foreign Application Priority Data**

Dec. 2, 2016 (JP) ..... 2016-026232

(51) **LOC (12) Cl.** ..... **14-03**

(52) **U.S. Cl.**  
USPC ..... **D14/155**

(58) **Field of Classification Search**  
USPC ..... D14/167, 154, 168, 188, 496, 156, 160,  
D14/161, 162, 163, 164, 165, 158, 341,  
D14/346, 342, 345, 137, 155, 218, 225;  
D16/208; D26/38; 455/351, 350;  
D10/104.1, 106, 65

CPC .... H04B 1/385; H04M 1/6091; H04M 1/6066  
See application file for complete search history.

(56) **References Cited**

**U.S. PATENT DOCUMENTS**

4,646,731 A \* 3/1987 Brower ..... A61B 17/085  
602/57  
D391,639 S \* 3/1998 Dunshee ..... D24/189

6,044,293 A \* 3/2000 Lucey, Jr. .... A61B 5/0492  
600/546  
7,524,307 B2 \* 4/2009 Davis ..... A61M 25/02  
128/DIG. 26  
D617,320 S \* 6/2010 Oliver ..... D14/230  
D699,141 S \* 2/2014 Walker ..... D10/106.9  
D730,329 S \* 5/2015 Man ..... D14/230  
D753,096 S \* 4/2016 Li ..... D14/230  
D773,442 S \* 12/2016 Man ..... D14/230  
9,610,476 B1 \* 4/2017 Tran ..... A63B 69/38  
D815,969 S \* 4/2018 Ramasarma ..... D10/104.1  
2015/0201694 A1 \* 7/2015 Boyce ..... A42B 3/046  
340/539.12

\* cited by examiner

*Primary Examiner* — Austin Murphy  
(74) *Attorney, Agent, or Firm* — Oblon, McClelland,  
Maier & Neustadt, L.L.P.

(57) **CLAIM**

The ornamental design for a radio transmitter, as shown and described.

**DESCRIPTION**

FIG. 1 is a front elevation view of a radio transmitter.  
FIG. 2 is a rear elevation view thereof.  
FIG. 3 is a top plan view thereof.  
FIG. 4 is a bottom plan view thereof.  
FIG. 5 is a right side elevation view thereof.  
FIG. 6 is a left side elevation view thereof.  
FIG. 7 is a perspective view thereof.  
FIG. 8 is a referential view showing a bent state; and,  
FIG. 9 is another referential view showing a bent state.

**1 Claim, 9 Drawing Sheets**

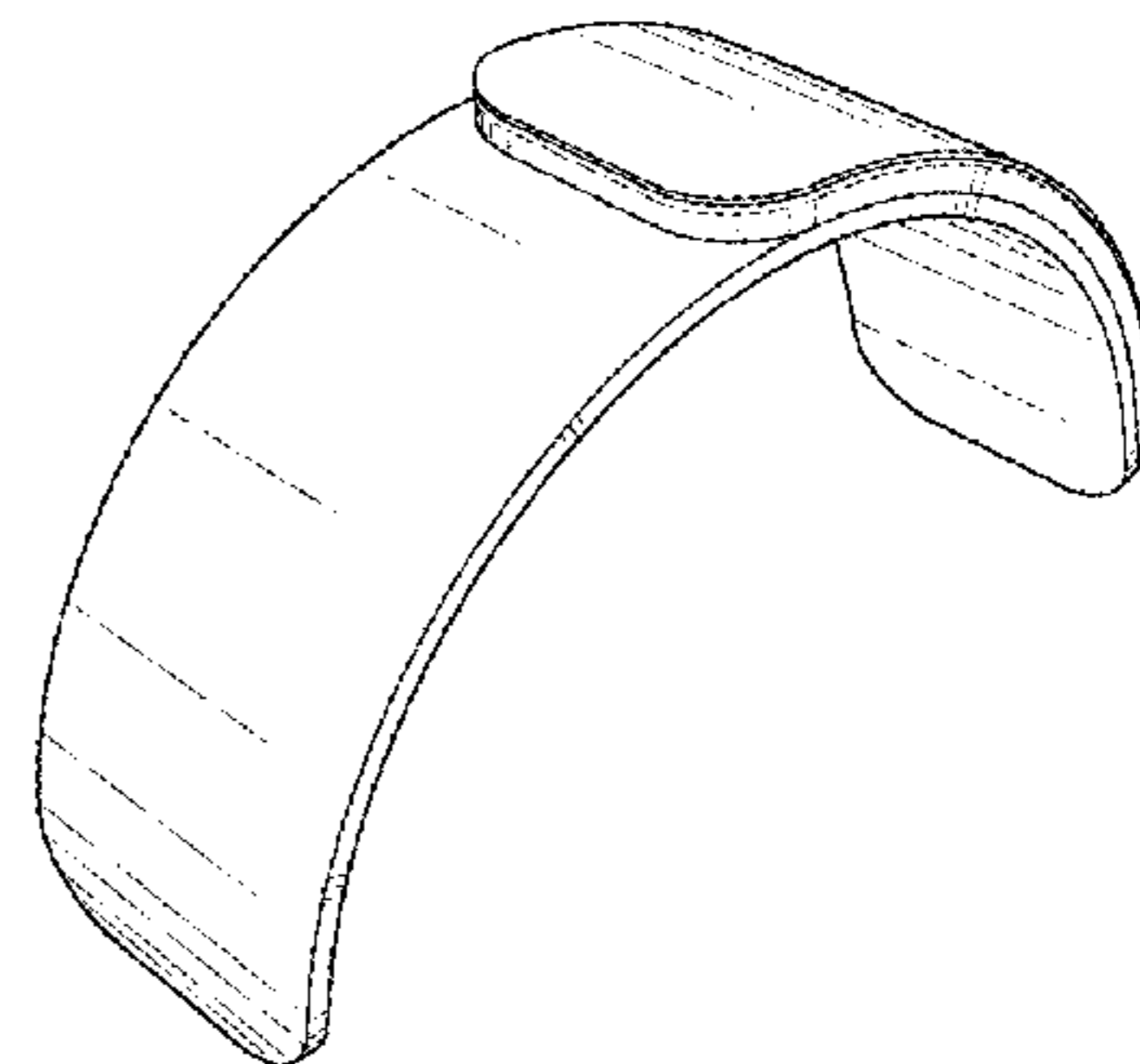
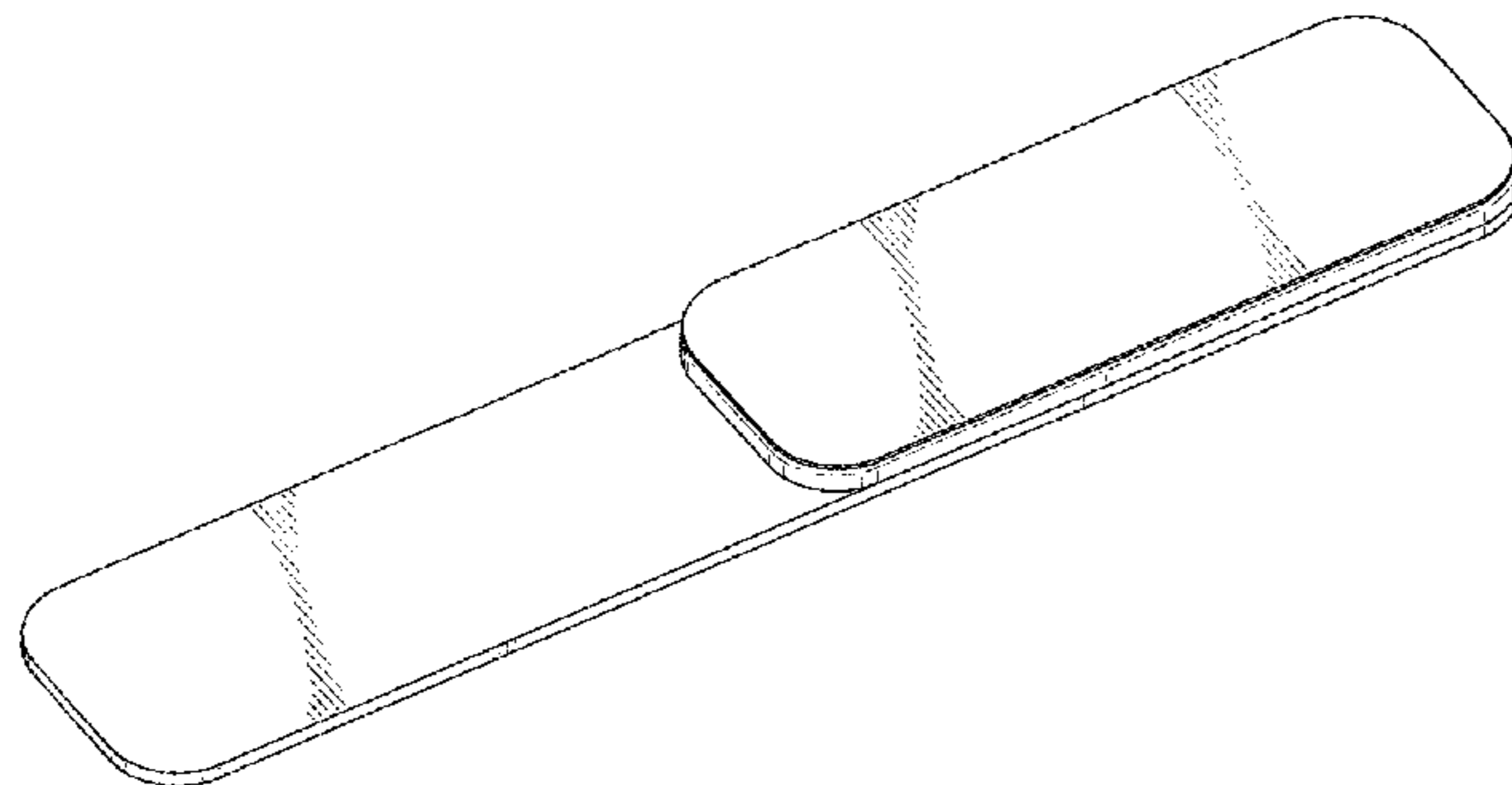


FIG. 1

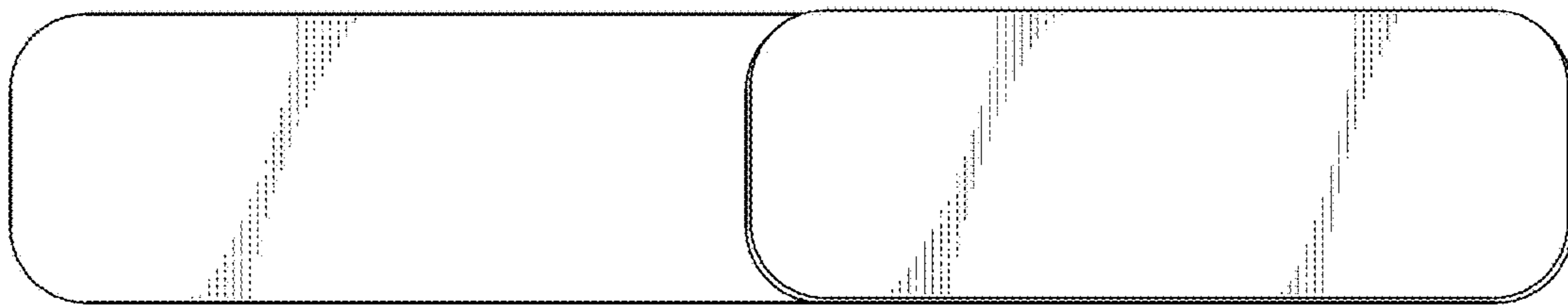


FIG. 2

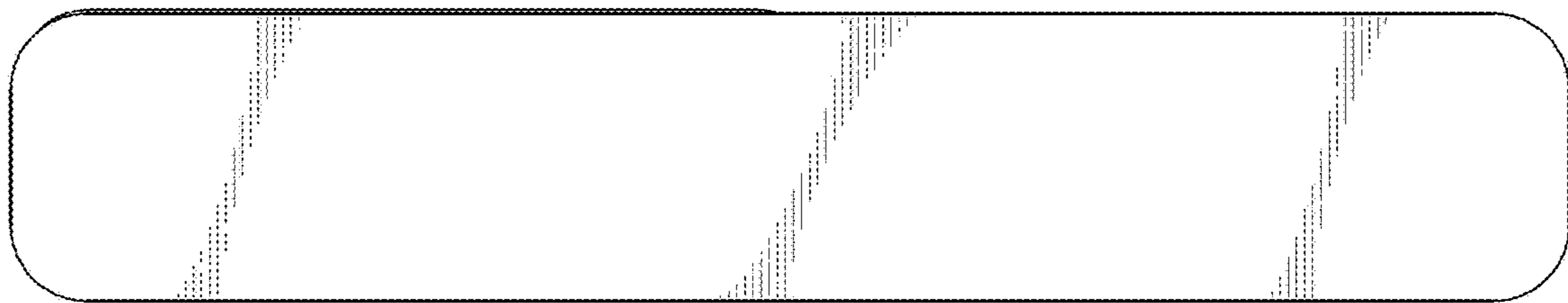


FIG. 3

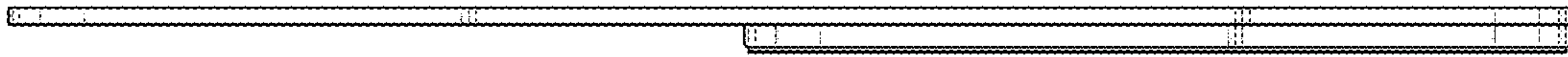


FIG. 4

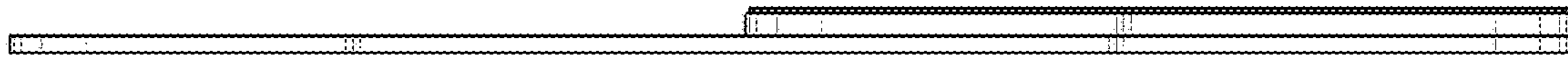


FIG. 5

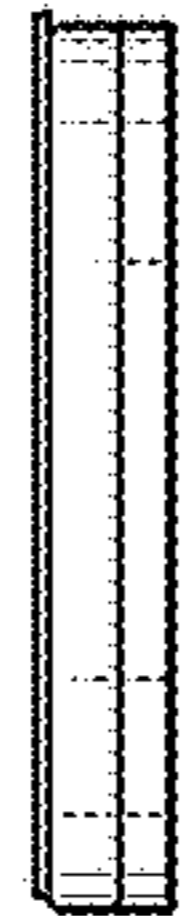


FIG. 6



FIG. 7

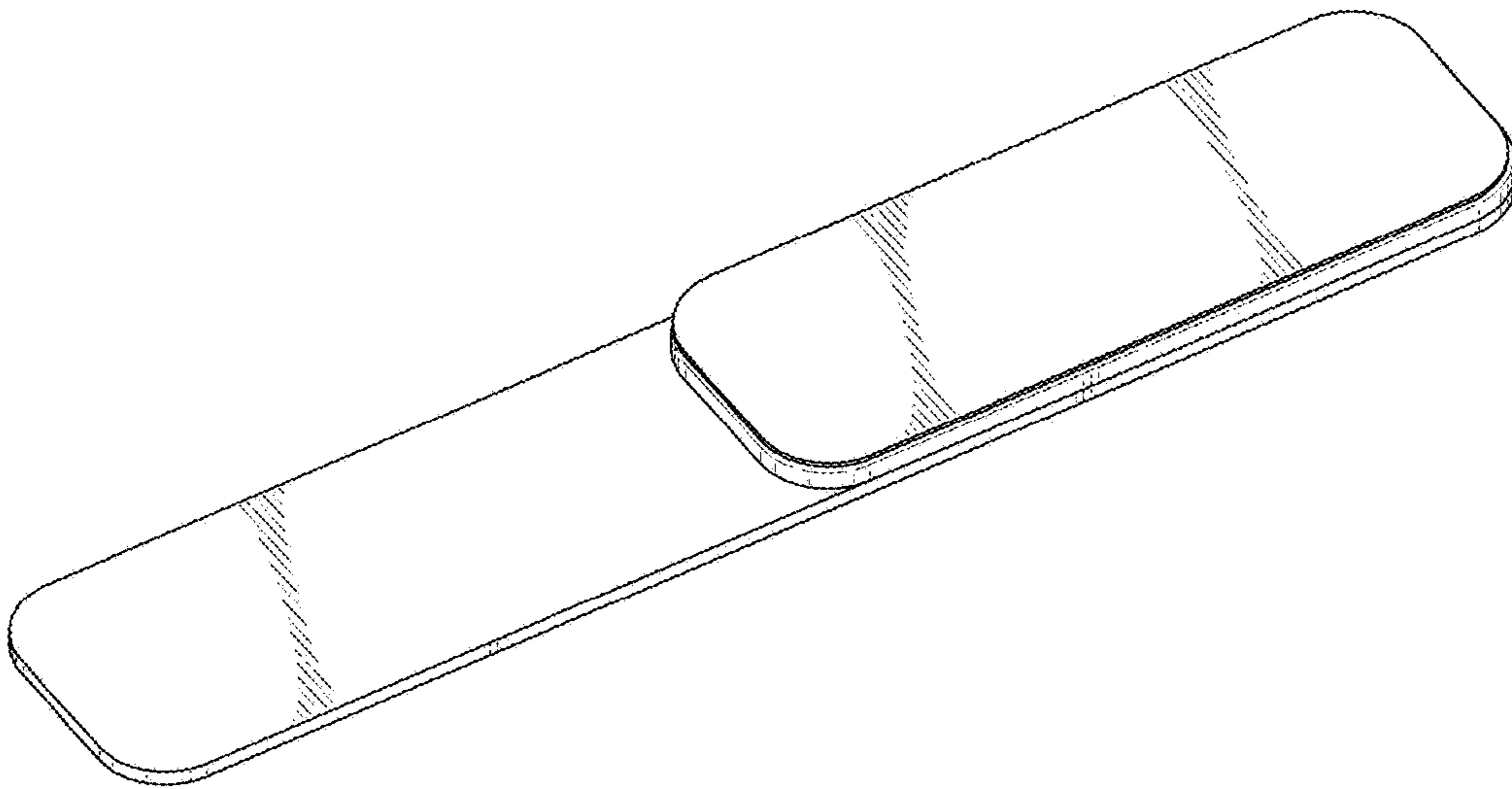




FIG. 8

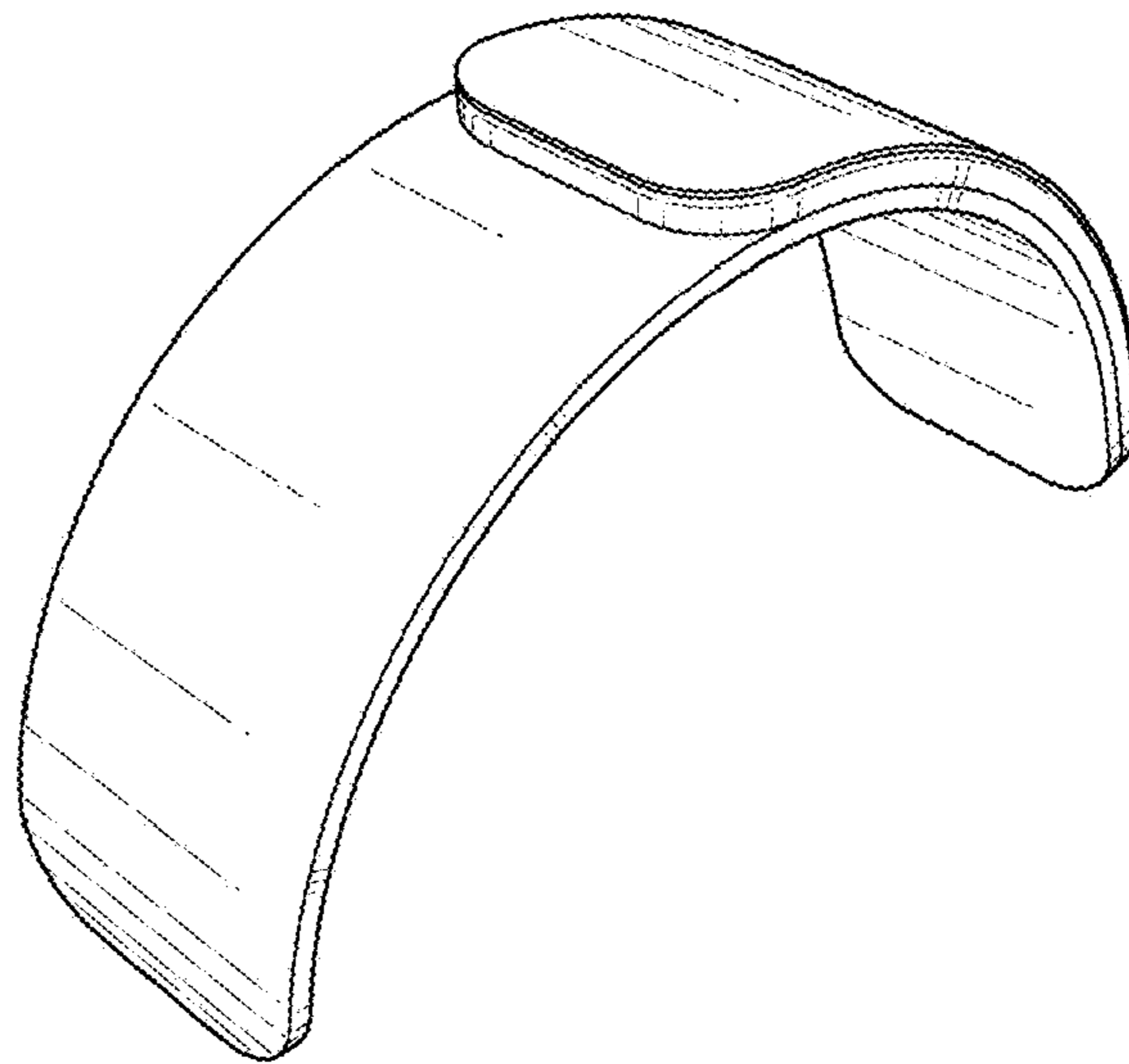


FIG. 9

