



US00D858474S

(12) **United States Design Patent**
Lim et al.

(10) **Patent No.:** **US D858,474 S**
(45) **Date of Patent:** **** Sep. 3, 2019**

(54) **STAND FOR TELEVISION RECEIVER**

(71) Applicant: **LG ELECTRONICS INC.**, Seoul (KR)

(72) Inventors: **Chulhee Lim**, Seoul (KR); **Yooseok Kim**, Seoul (KR); **Sangik Lee**, Seoul (KR); **Jeongrok Lee**, Seoul (KR)

(73) Assignee: **LG ELECTRONICS INC.**, Seoul (KR)

(**) Term: **15 Years**

(21) Appl. No.: **35/504,990**

(22) Filed: **Nov. 22, 2017**

(80) **Hague Agreement Data**

Int. Filing Date: **Nov. 22, 2017**
Int. Reg. No.: **DM/099374**
Int. Reg. Date: **Nov. 22, 2017**
Int. Reg. Pub. Date: **May 25, 2018**

(30) **Foreign Application Priority Data**

May 24, 2017 (KR) 30-2017-0023437

(51) **LOC (12) Cl.** **14-03**

(52) **U.S. Cl.**
USPC **D14/126**

(58) **Field of Classification Search**
USPC D14/126, 316, 335, 336, 340, 374, 375, D14/451, 452, 239; D21/515
CPC G06F 1/1601; G06F 1/1626; G06F 1/1643; H04N 5/64; H04N 5/645; H05K 5/00; H05K 5/0204; F16M 11/00; F16M 11/04; F16M 11/043; F16M 11/10; F16M 13/00
See application file for complete search history.

(56) **References Cited**

U.S. PATENT DOCUMENTS

D675,175 S * 1/2013 Kim D14/126
D717,752 S * 11/2014 Kim D14/126

D717,754 S * 11/2014 Kim D14/126
D718,261 S * 11/2014 Han D14/126
D725,062 S * 3/2015 Cho D14/126
D725,063 S * 3/2015 Cho D14/126
D748,080 S * 1/2016 Jung D14/239
D784,983 S * 4/2017 Kim D14/374
D784,984 S * 4/2017 Lim D14/374
D785,622 S * 5/2017 Kim D14/374
D786,868 S * 5/2017 Kim D14/374
D791,130 S * 7/2017 Oh D14/374
D796,465 S * 9/2017 Kim D14/126
D808,941 S * 1/2018 Lee D14/239
D817,290 S * 5/2018 Lee D14/126

(Continued)

Primary Examiner — Robert M. Spear

(74) *Attorney, Agent, or Firm* — Birch, Stewart, Kolasch & Birch, LLP

(57) **CLAIM**

The ornamental design for a stand for television receiver, as shown and described.

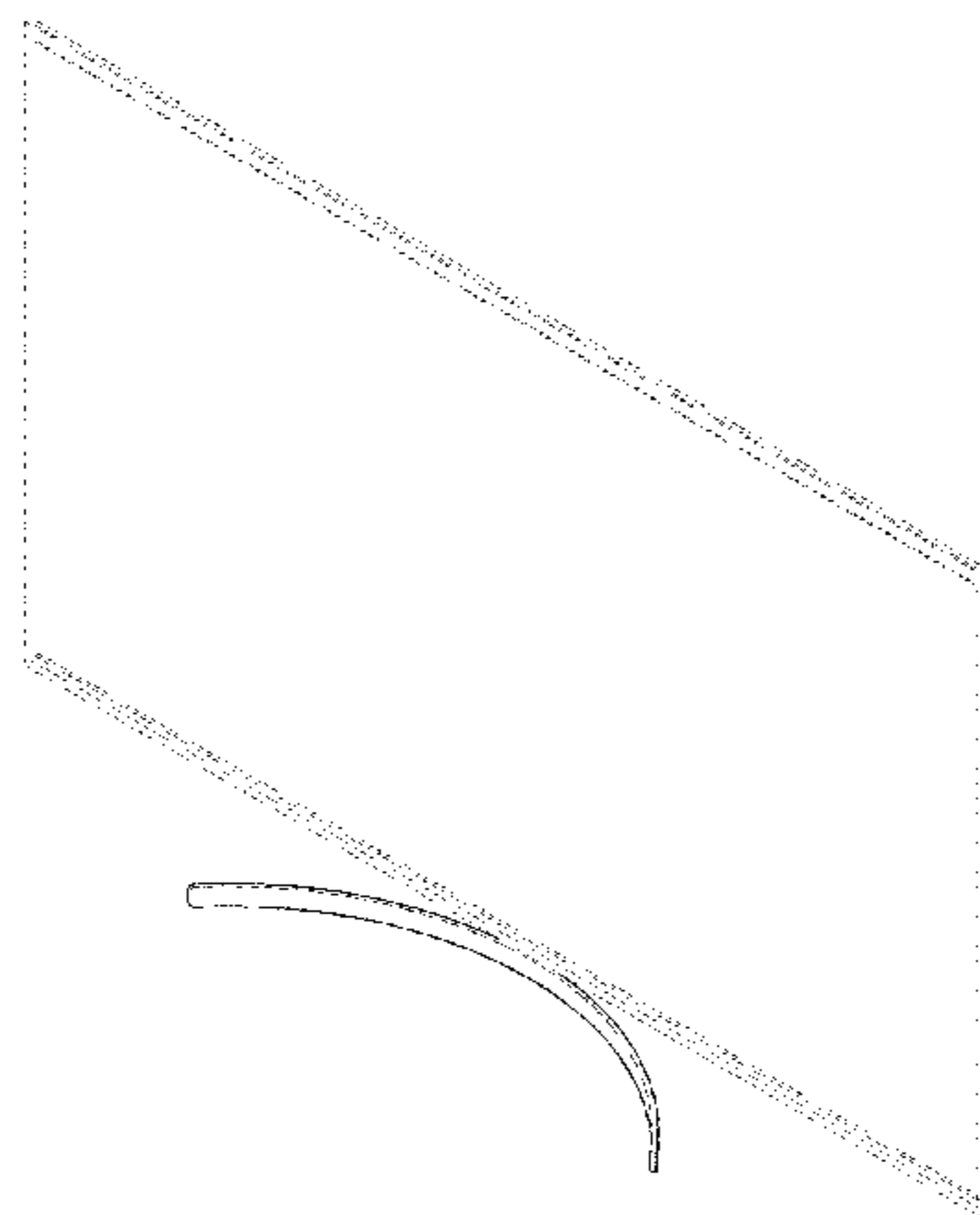
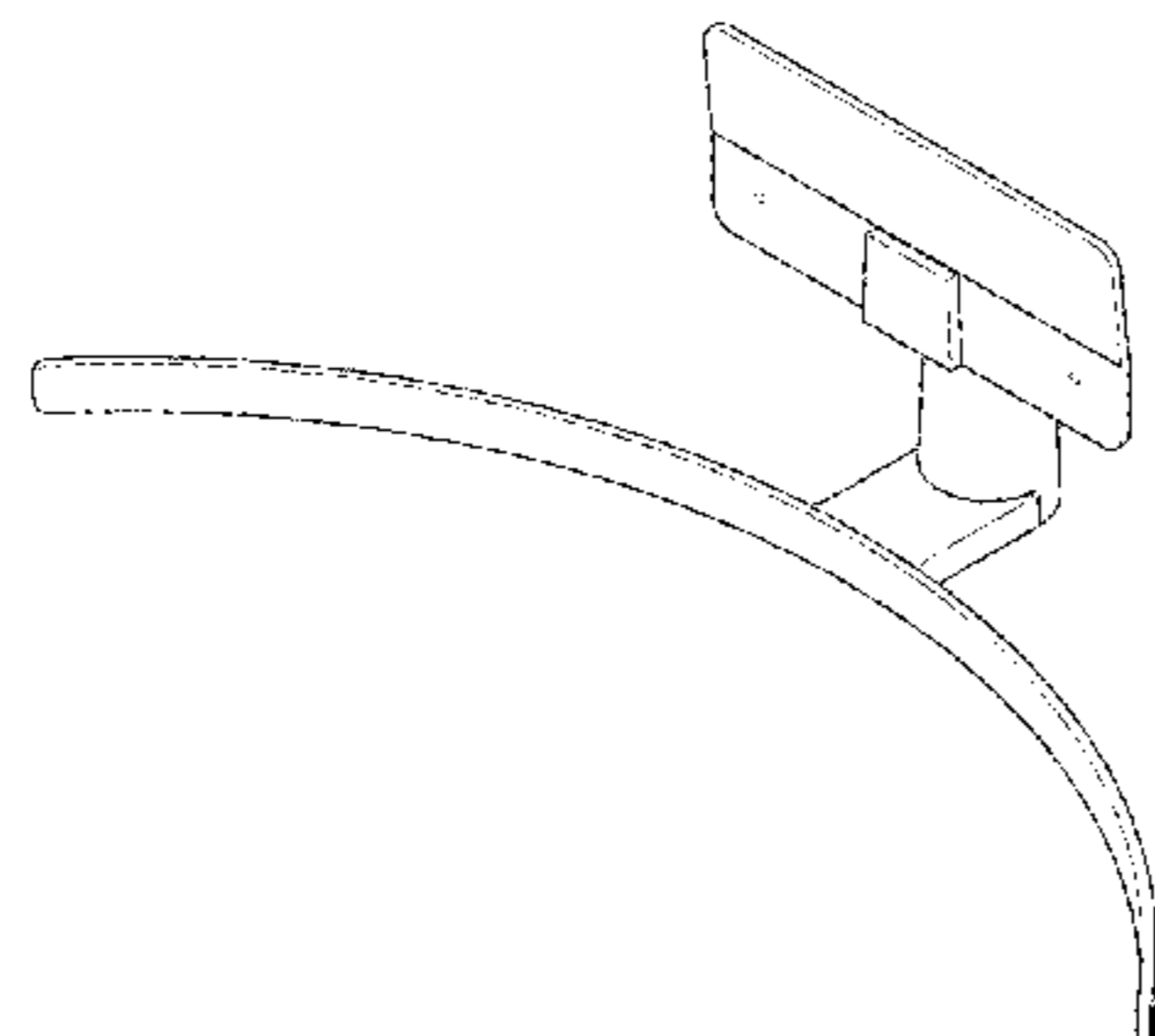
DESCRIPTION

1. Stand for television receiver

- 1.1 : Perspective
- 1.2 : Front
- 1.3 : Back
- 1.4 : Left
- 1.5 : Right
- 1.6 : Top
- 1.7 : Bottom
- 1.8 : Perspective

The parallel fine lines and curves shown in all the drawings indicate the relief of surface of the product; the broken lines in reproductions 1.1-1.3 and 1.6 indicate unclaimed portions of the stand for television receiver that form no part of the claimed design; the broken line showing of a television receiver in reproduction 1.8 is for the purpose of illustrating environment and forms no part of the claimed design.

1 Claim, 4 Drawing Sheets



(56)

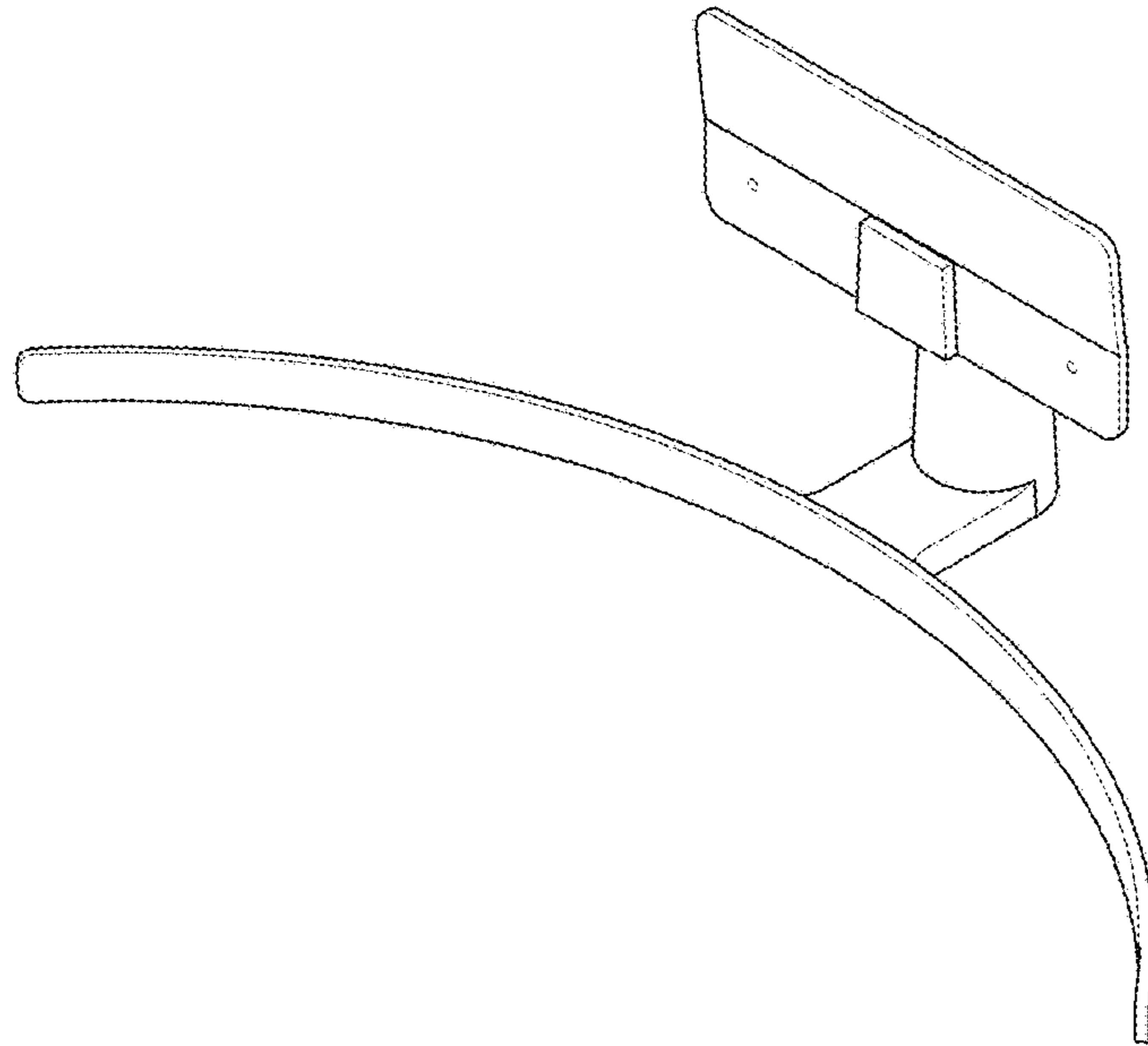
References Cited

U.S. PATENT DOCUMENTS

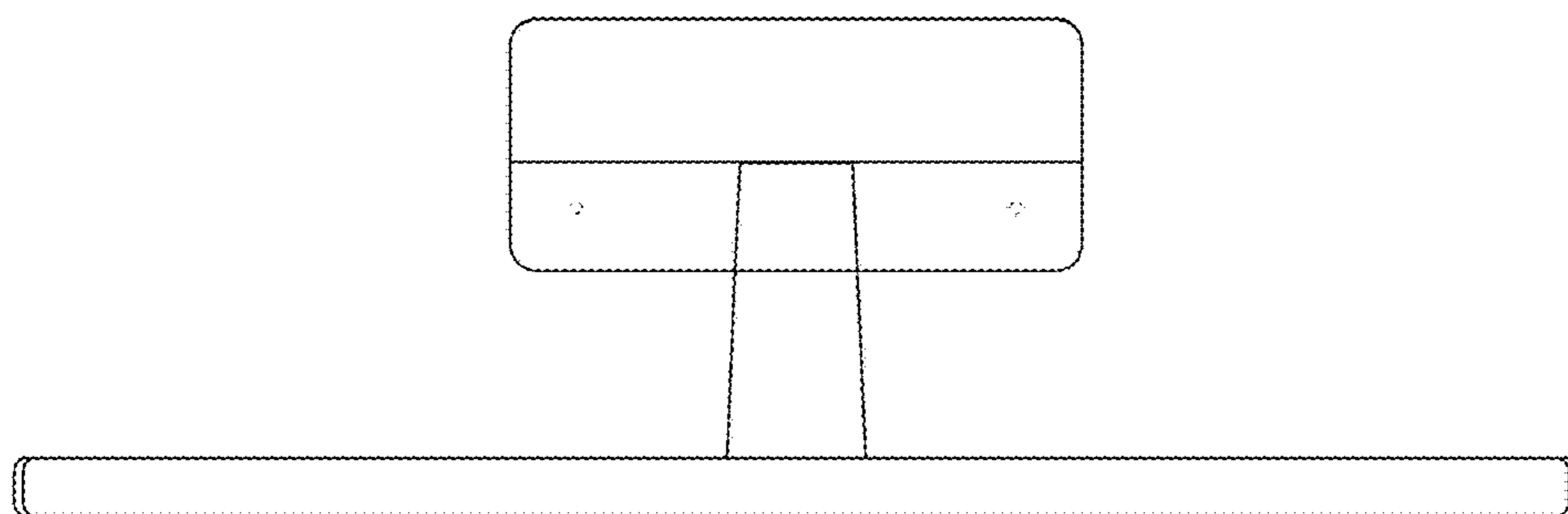
D817,939	S	*	5/2018	Cho	D14/239
D818,450	S	*	5/2018	Lee	D14/126
D819,614	S	*	6/2018	Lee	D14/239
D821,372	S	*	6/2018	Lee	D14/239
D822,012	S	*	7/2018	Lee	D14/239
D823,843	S	*	7/2018	Kim	D14/239
D824,890	S	*	8/2018	Kim	D14/239
D826,200	S	*	8/2018	Kim	D14/126
D826,884	S	*	8/2018	Kim	D14/126
D828,837	S	*	9/2018	Kim	D14/374
D830,984	S	*	10/2018	Kim	D14/126
D830,985	S	*	10/2018	Cha	D14/126
D836,584	S	*	12/2018	Kim	D14/126

* cited by examiner

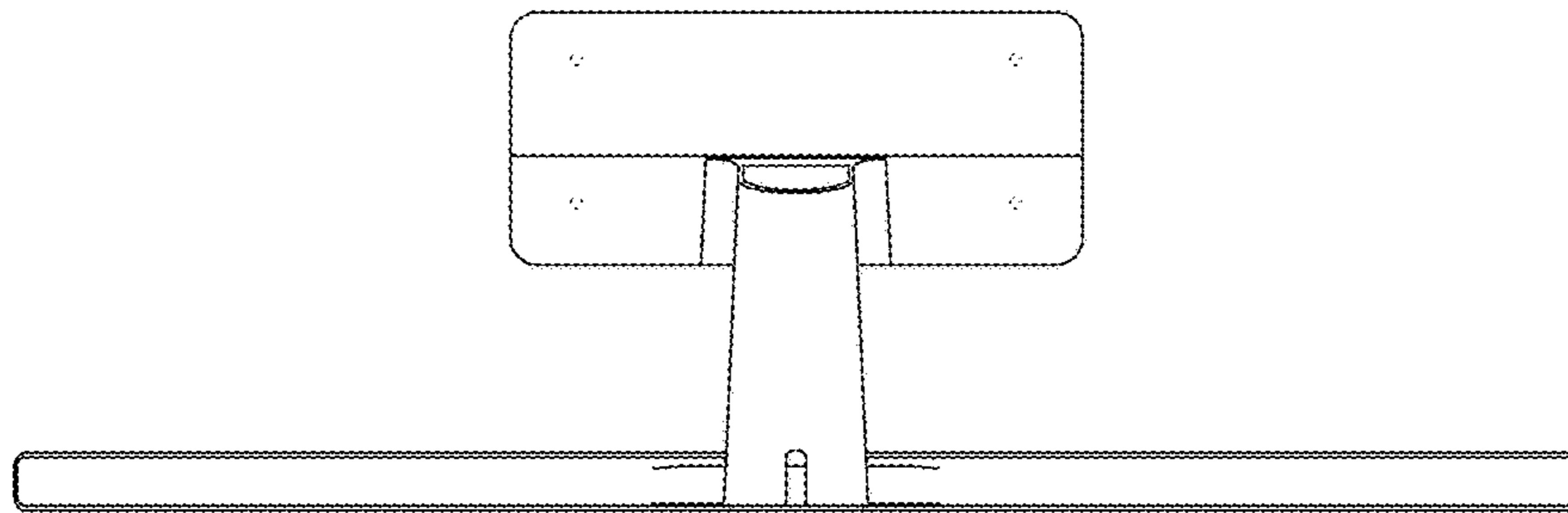
1.1



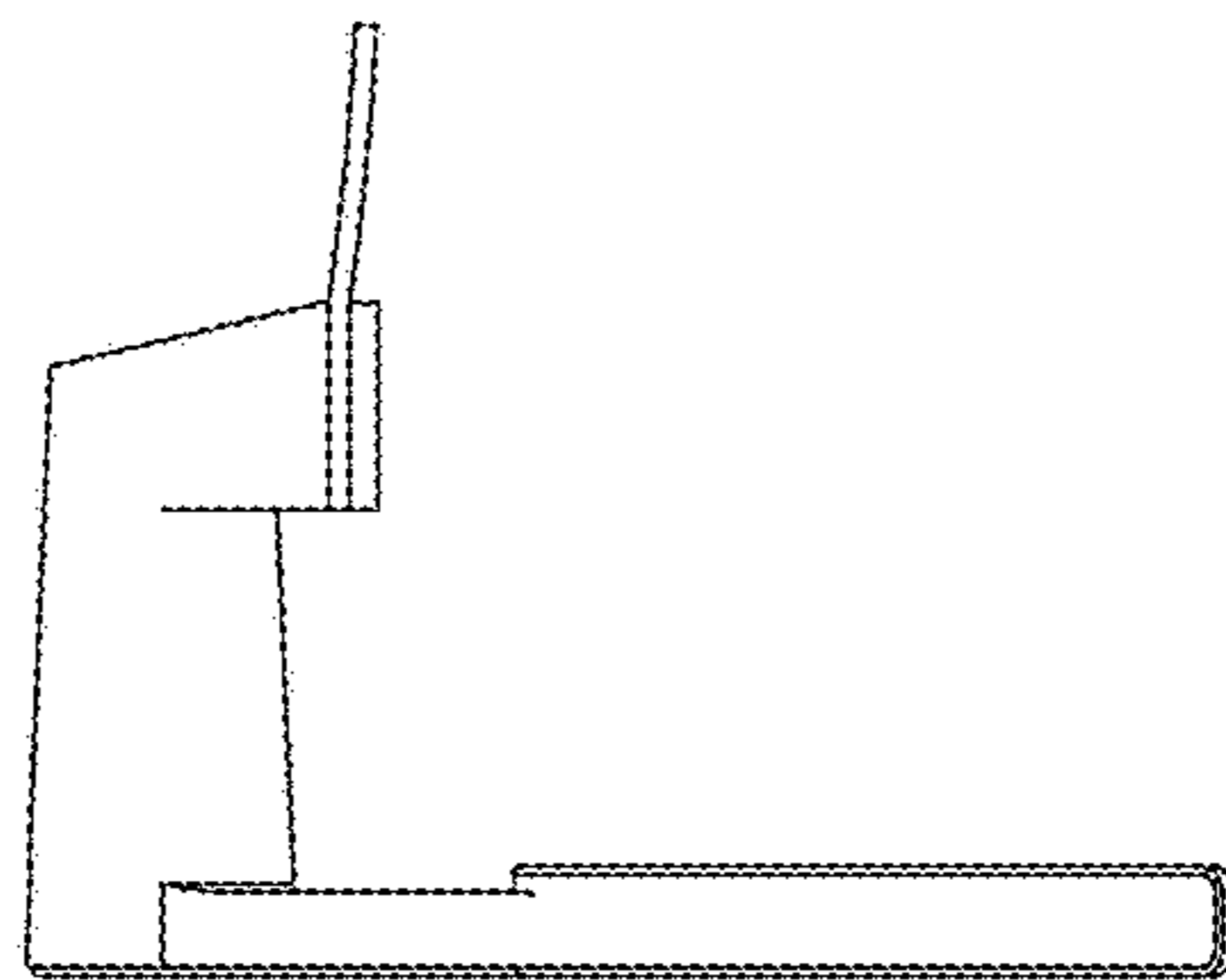
1.2



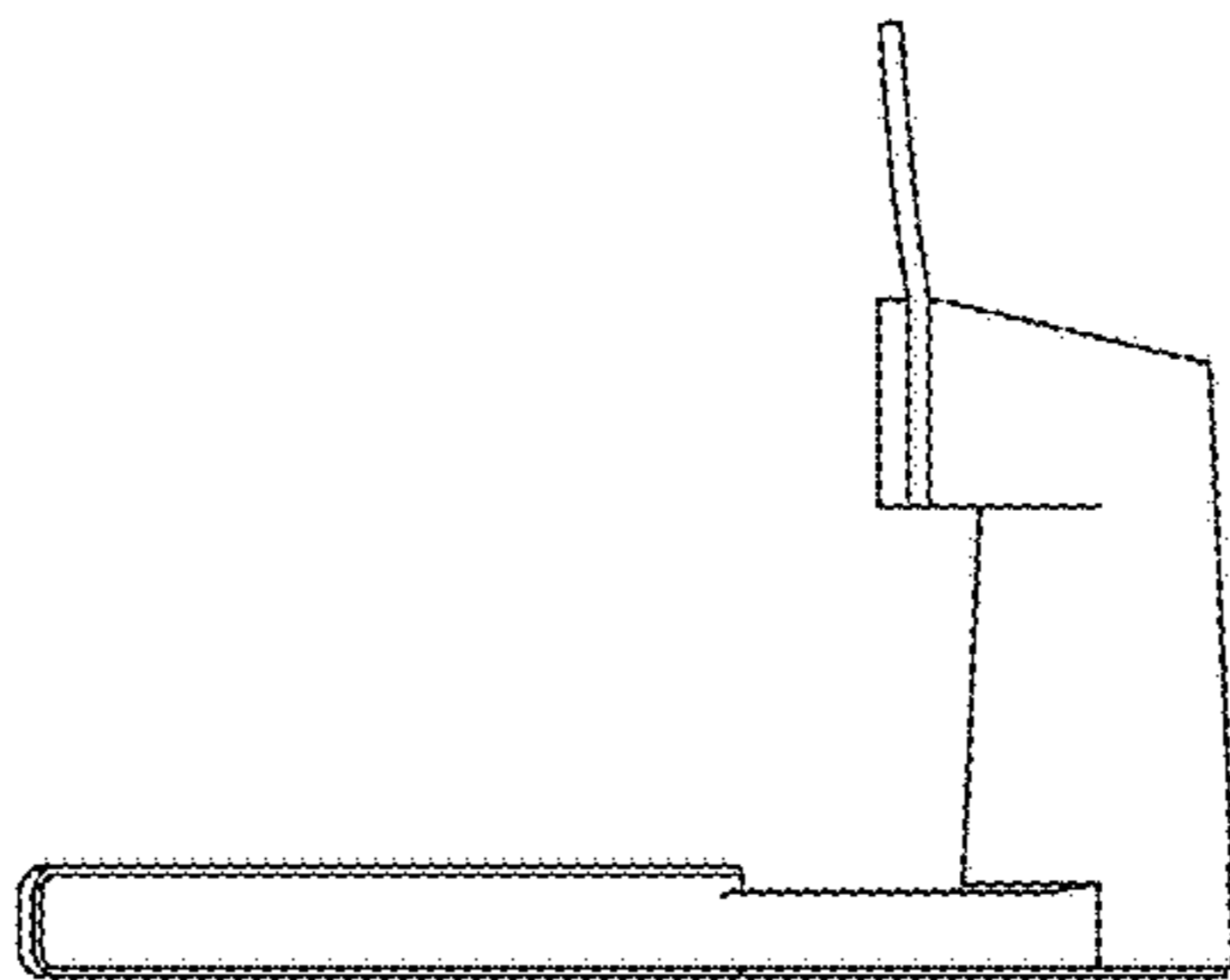
1.3



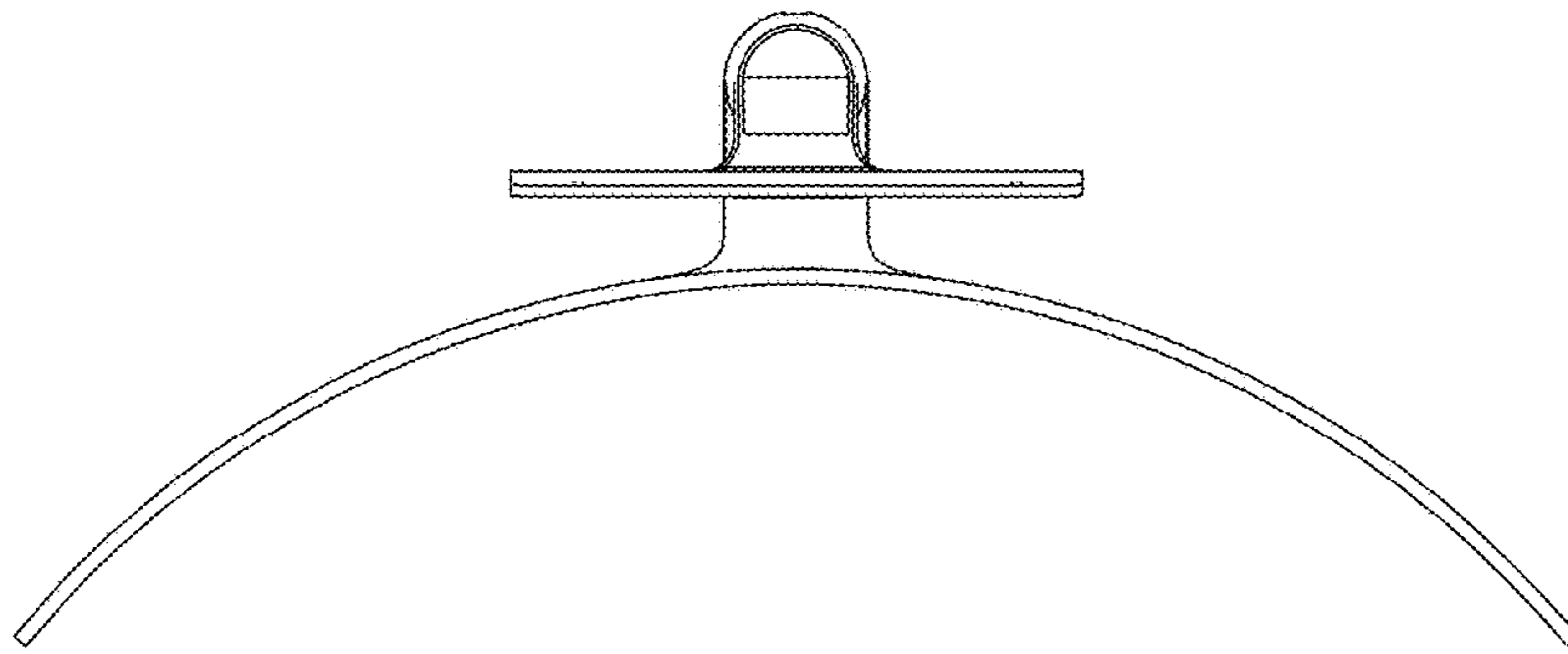
1.4



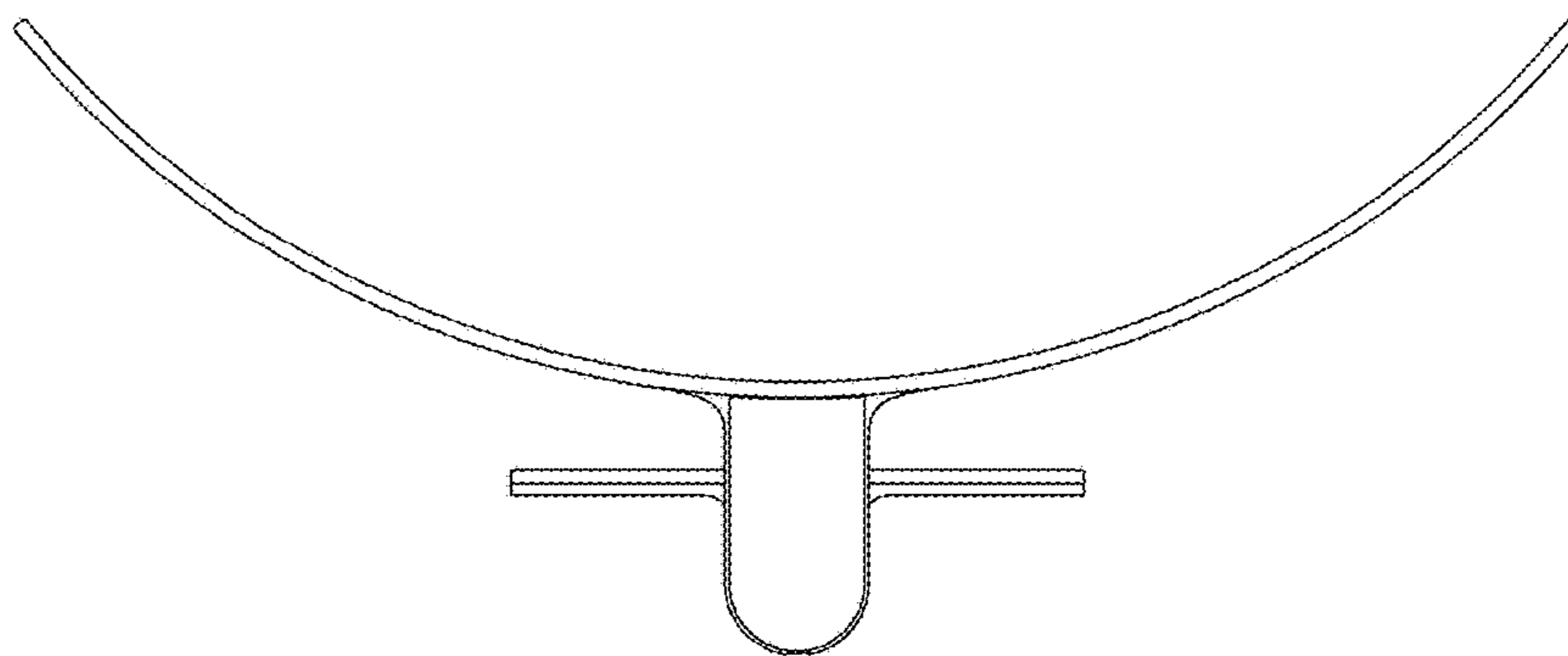
1.5



1.6



1.7



1.8

