



US00D858473S

(12) **United States Design Patent** (10) **Patent No.:** **US D858,473 S**
Lee et al. (45) **Date of Patent:** **** *Sep. 3, 2019**

(54) **MONITOR FOR DATA PROCESSING DEVICE**

(71) Applicant: **LG ELECTRONICS INC.**, Seoul (KR)

(72) Inventors: **Taejin Lee**, Seoul (KR); **Yeonjin Kim**, Seoul (KR); **Gangho Woo**, Seoul (KR)

(73) Assignee: **LG ELECTRONICS INC.**, Seoul (KR)

(*) Notice: This patent is subject to a terminal disclaimer.

(**) Term: **15 Years**

(21) Appl. No.: **35/504,974**

(22) Filed: **Nov. 17, 2017**

(80) **Hague Agreement Data**

Int. Filing Date: **Nov. 17, 2017**
Int. Reg. No.: **DM/099429**
Int. Reg. Date: **Nov. 17, 2017**
Int. Reg. Pub. Date: **May 18, 2018**

(30) **Foreign Application Priority Data**

May 19, 2017 (KR) 30-2017-0022678

(51) **LOC (12) Cl.** **14-03**

(52) **U.S. Cl.**
USPC **D14/126**

(58) **Field of Classification Search**

USPC D14/126, 239, 316, 335, 336, 340, 374, D14/375, 451, 452; D21/515
CPC G06F 1/1626; H04N 5/64; H04N 5/645; H05K 5/00; H05K 5/0204

See application file for complete search history.

(56) **References Cited**

U.S. PATENT DOCUMENTS

D726,666 S *	4/2015	Hwangbo	D14/126
D740,244 S *	10/2015	Han	D14/126
D758,983 S *	6/2016	Kim	D14/126
D783,554 S *	4/2017	Kim	D14/126
D783,556 S *	4/2017	Woo	D14/126
D817,901 S *	5/2018	Lee	D14/126
D819,028 S *	5/2018	Seo	D14/374
D836,583 S *	12/2018	Cha	D14/126

* cited by examiner

Primary Examiner — Robert M. Spear

(74) *Attorney, Agent, or Firm* — Birch, Stewart, Kolasch & Birch, LLP

(57) **CLAIM**

The ornamental design for a monitor for data processing device, as shown and described.

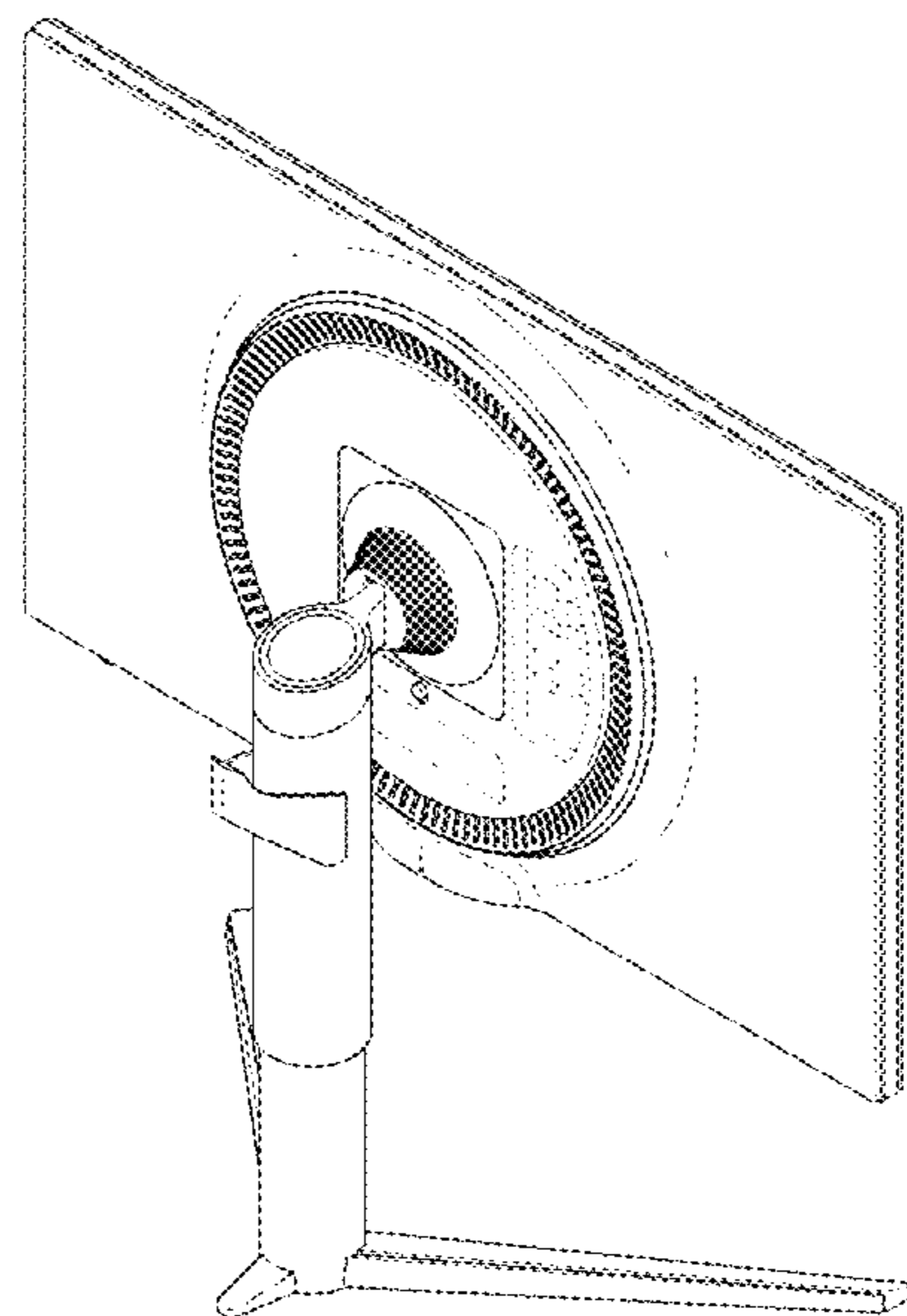
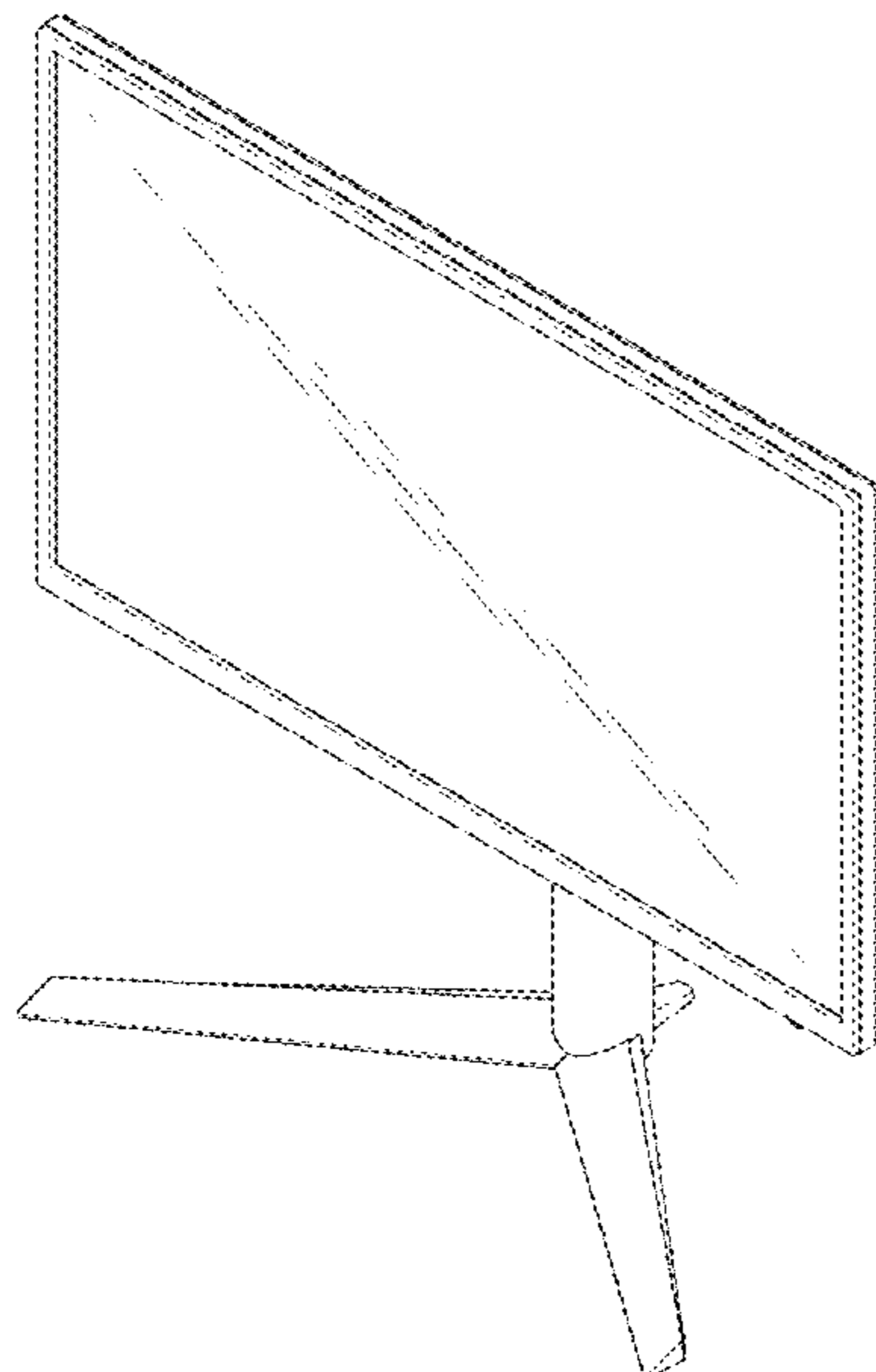
DESCRIPTION

1. Monitor for data processing device

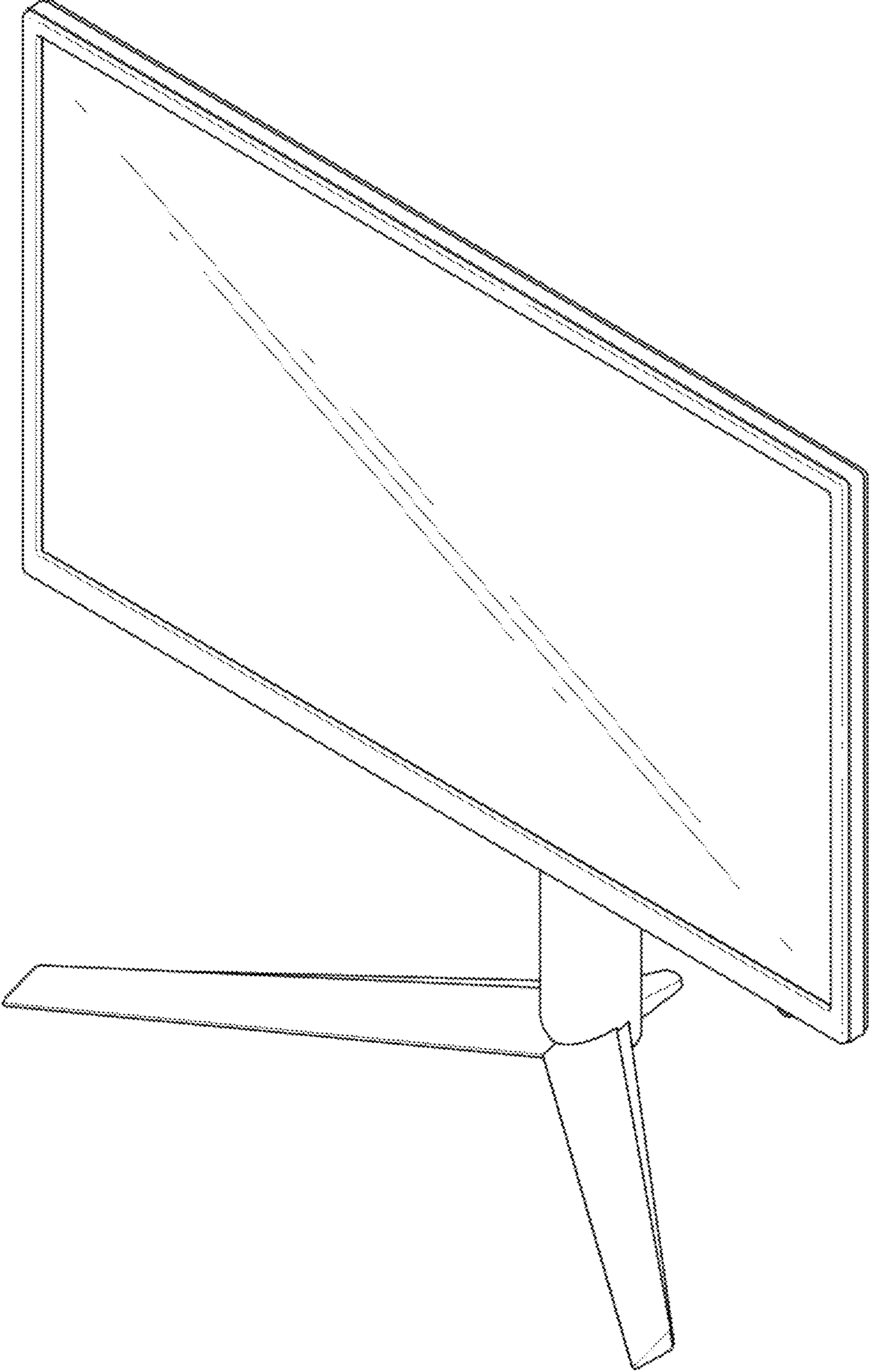
- 1.1 : Perspective
- 1.2 : Rear perspective
- 1.3 : Front
- 1.4 : Back
- 1.5 : Left
- 1.6 : Right
- 1.7 : Top
- 1.8 : Bottom

The parallel fine lines and curves shown in all the drawings indicate the relief of surface of the product; the broken lines indicate unclaimed portions of the article that form no part of the claimed design.

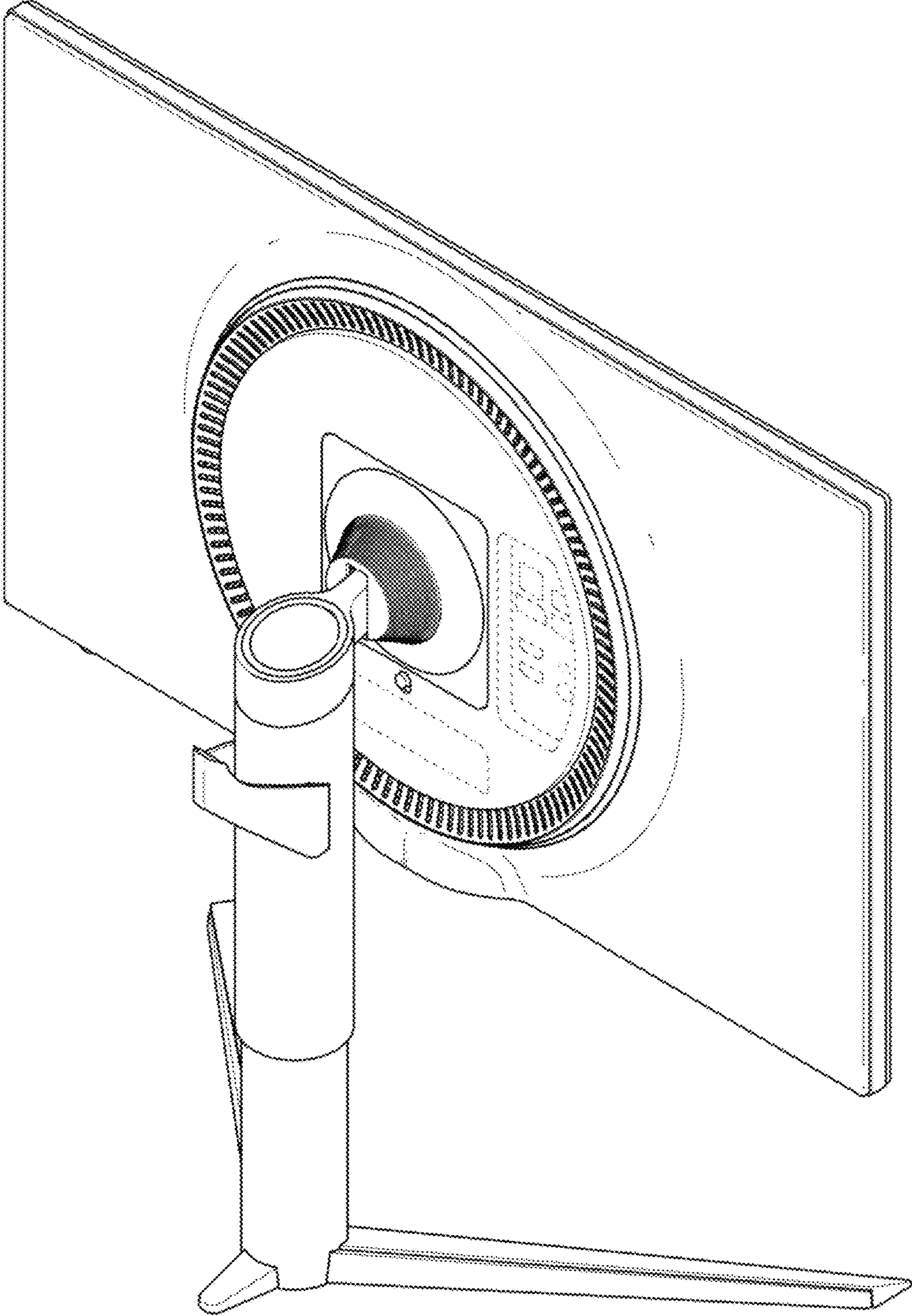
1 Claim, 8 Drawing Sheets



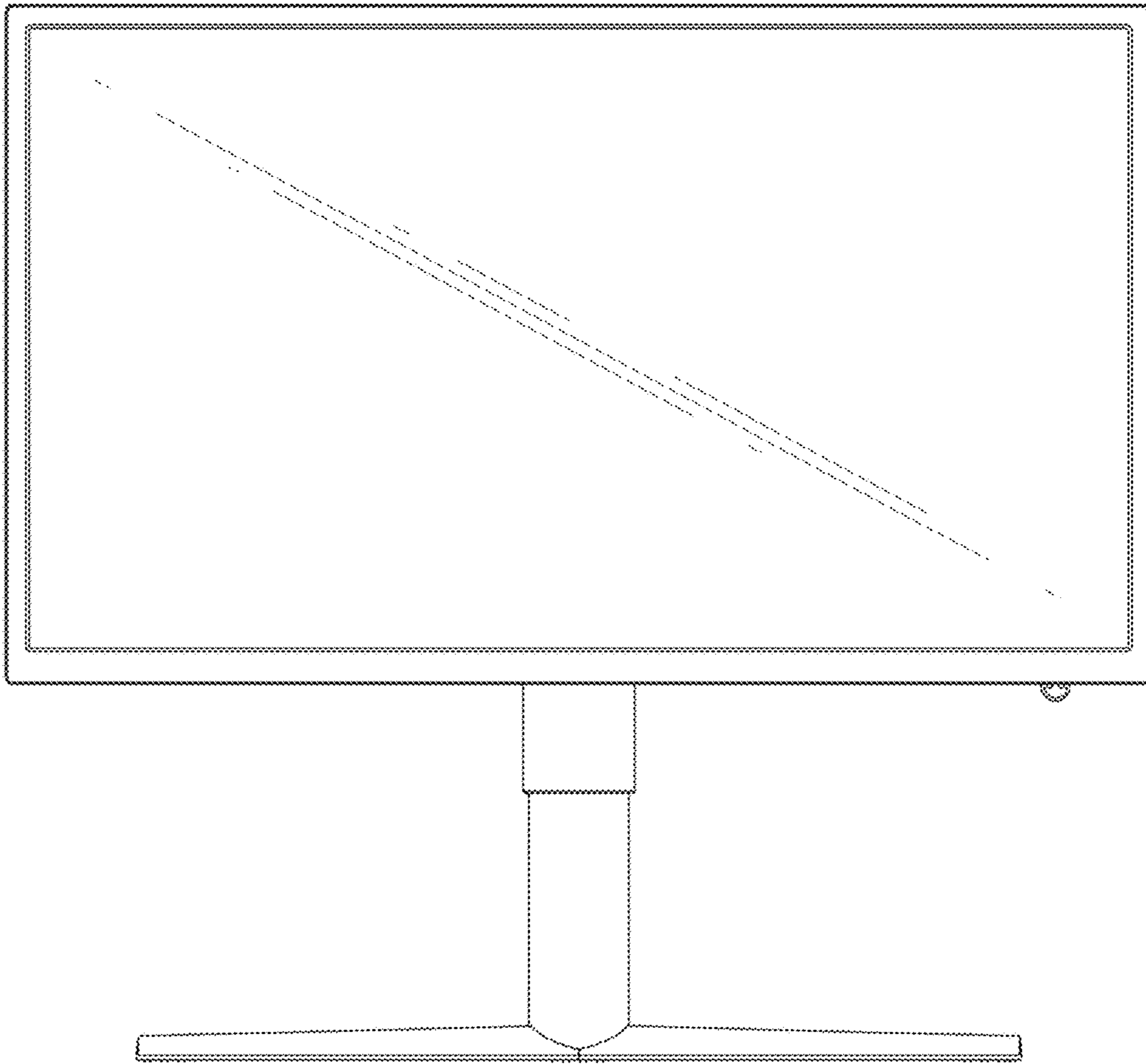
1.1



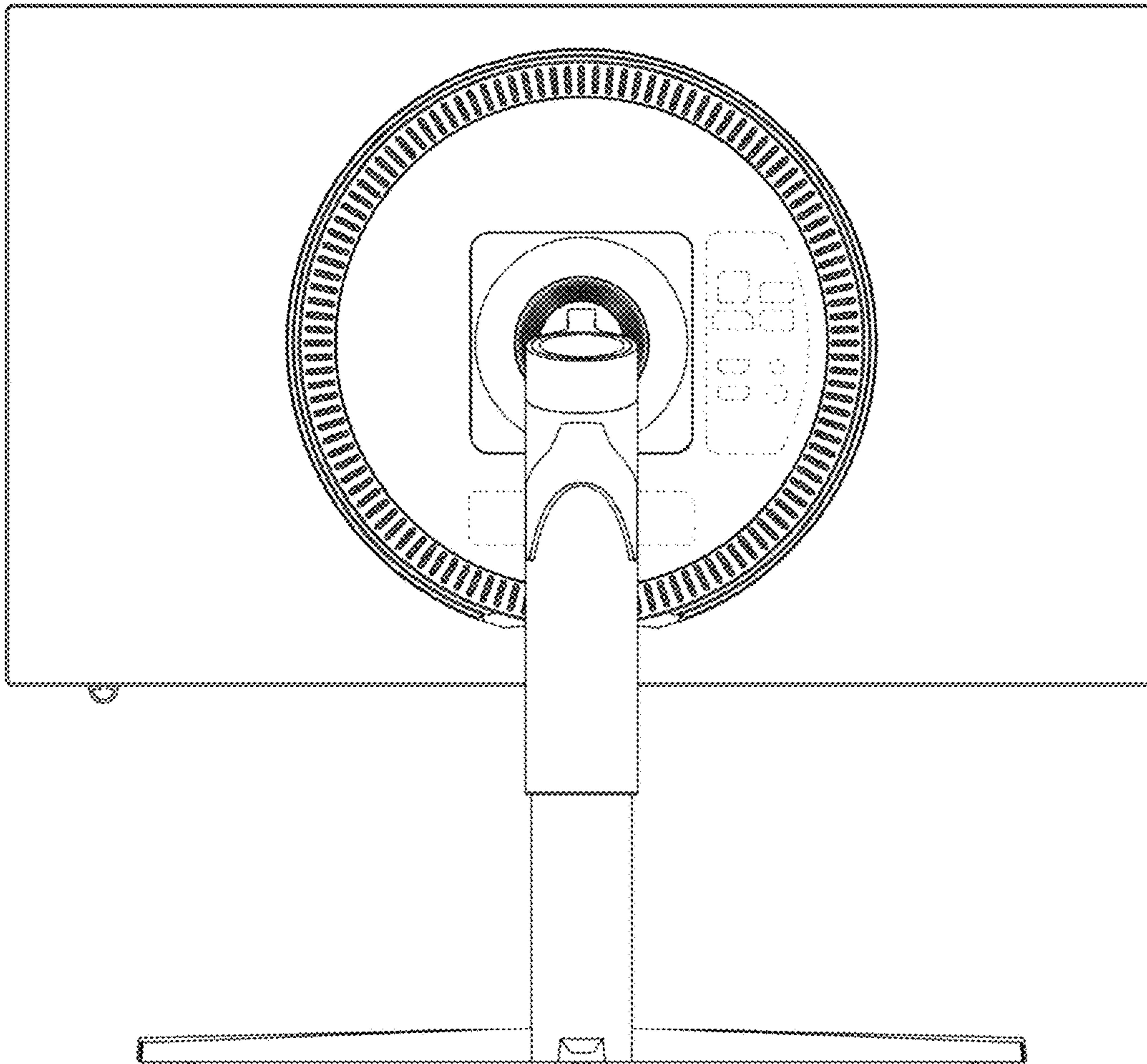
1.2



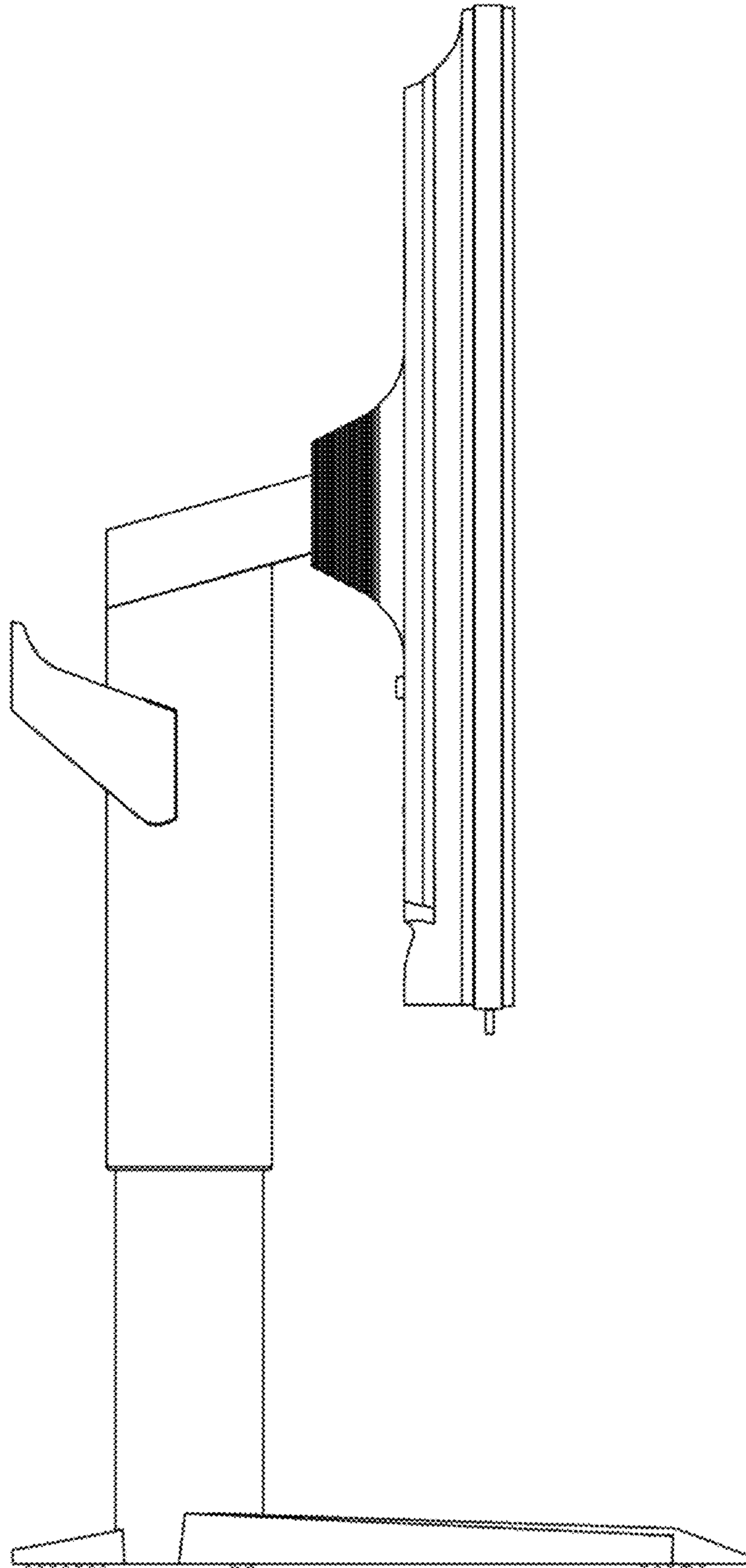
1.3



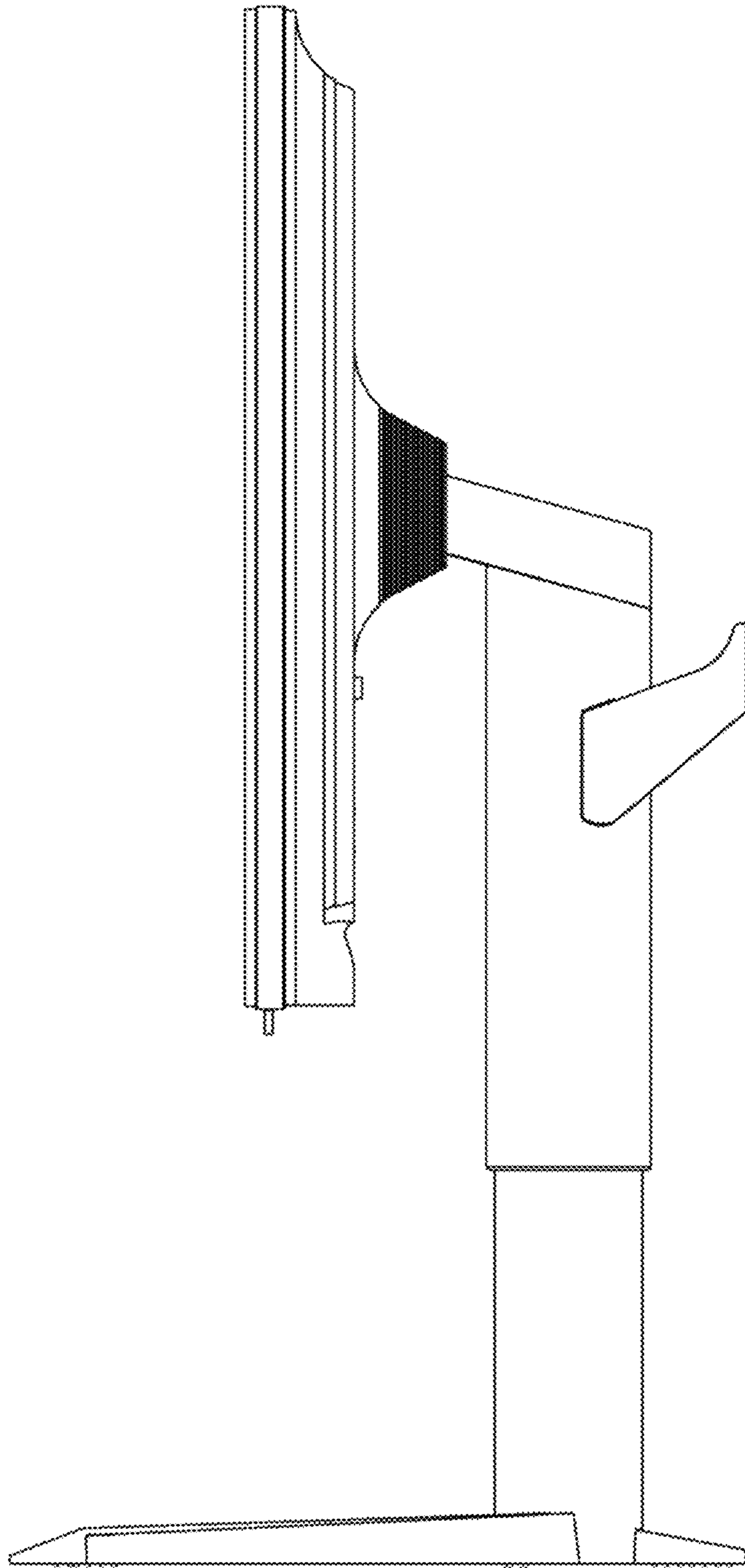
1.4



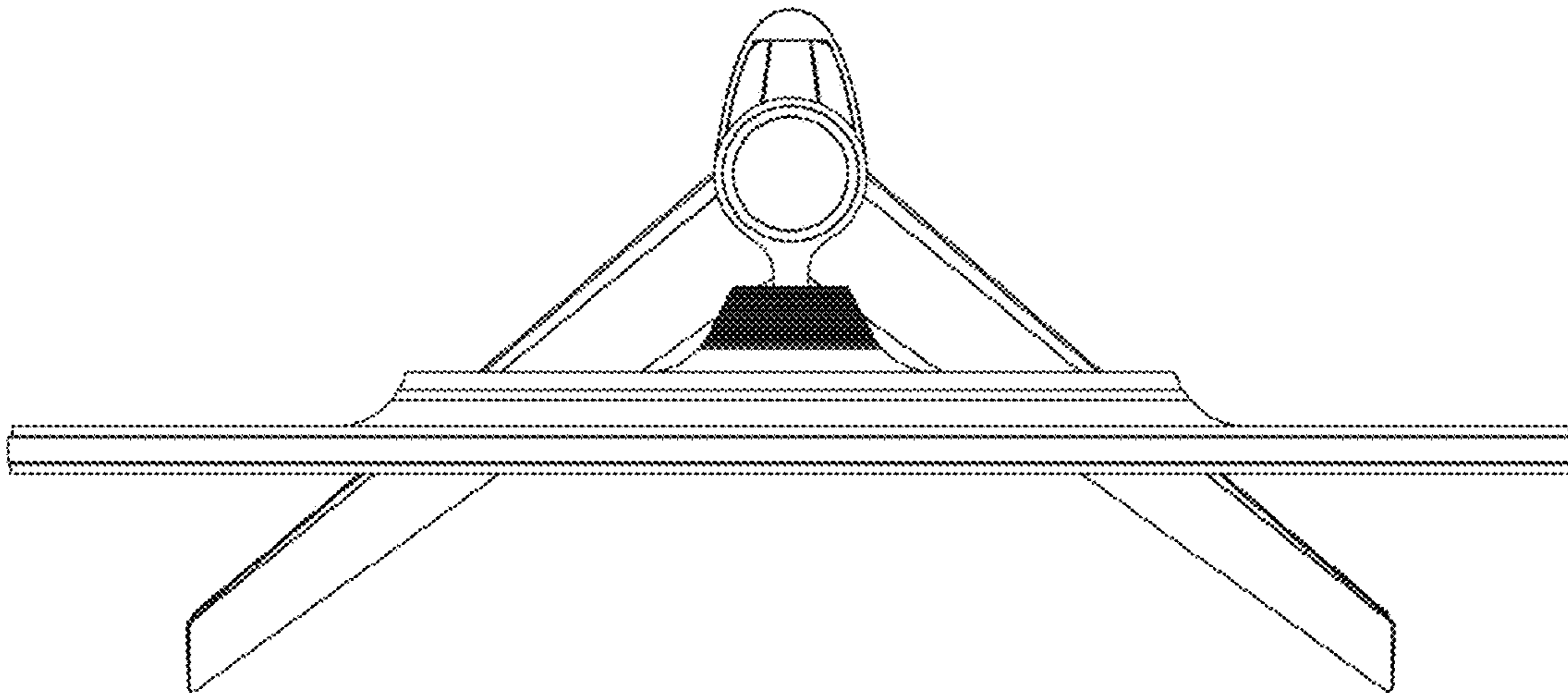
1.5



1.6



1.7



1.8

