



US00D858472S

(12) **United States Design Patent** (10) **Patent No.:** **US D858,472 S**  
**Lee et al.** (45) **Date of Patent:** **\*\* Sep. 3, 2019**

(54) **STAND FOR COMPUTER MONITOR**  
(71) Applicant: **LG ELECTRONICS INC., Seoul (KR)**  
(72) Inventors: **Taejin Lee, Seoul (KR); Yeonjin Kim, Seoul (KR); Gangho Woo, Seoul (KR)**  
(73) Assignee: **LG ELECTRONICS INC., Seoul (KR)**  
(\*\*) Term: **15 Years**

D620,903 S \* 8/2010 Song ..... D14/126  
D659,662 S \* 5/2012 Lv ..... D14/126  
D669,870 S \* 10/2012 Kim ..... D14/126  
D717,752 S \* 11/2014 Kim ..... D14/126  
D725,616 S \* 3/2015 Oh ..... D14/126  
D726,666 S \* 4/2015 Hwangbo ..... D14/126  
D740,244 S \* 10/2015 Han ..... D14/126  
D758,983 S \* 6/2016 Kim ..... D14/126  
D781,259 S \* 3/2017 Song ..... D14/126  
D781,260 S \* 3/2017 Song ..... D14/126  
D783,554 S \* 4/2017 Kim ..... D14/126  
D783,556 S \* 4/2017 Woo ..... D14/126  
D817,901 S \* 5/2018 Lee ..... D14/126  
D819,028 S \* 5/2018 Seo ..... D14/374

(Continued)

(21) Appl. No.: **35/504,961**  
(22) Filed: **Nov. 17, 2017**

*Primary Examiner* — Robert M. Spear  
(74) *Attorney, Agent, or Firm* — Birch, Stewart, Kolasch & Birch, LLP

(80) **Hague Agreement Data**  
Int. Filing Date: **Nov. 17, 2017**  
Int. Reg. No.: **DM/099522**  
Int. Reg. Date: **Nov. 17, 2017**  
Int. Reg. Pub. Date: **May 18, 2018**

(57) **CLAIM**

The ornamental design for a stand for computer monitor, as shown and described.

(30) **Foreign Application Priority Data**  
May 19, 2017 (KR) ..... 30-2017-0022677  
(51) **LOC (12) Cl.** ..... **14-03**  
(52) **U.S. Cl.**  
USPC ..... **D14/126**  
(58) **Field of Classification Search**  
USPC ..... D14/126, 316, 335, 336, 340, 374, 375, D14/451, 452, 239; D21/515  
CPC .... G06F 1/1601; G06F 1/1626; G06F 1/1643; H04N 5/64; H04N 5/645; H05K 5/00; H05K 5/0204; F16M 11/00; F16M 11/04; F16M 11/043; F16M 11/10; F16M 13/00  
See application file for complete search history.

**DESCRIPTION**

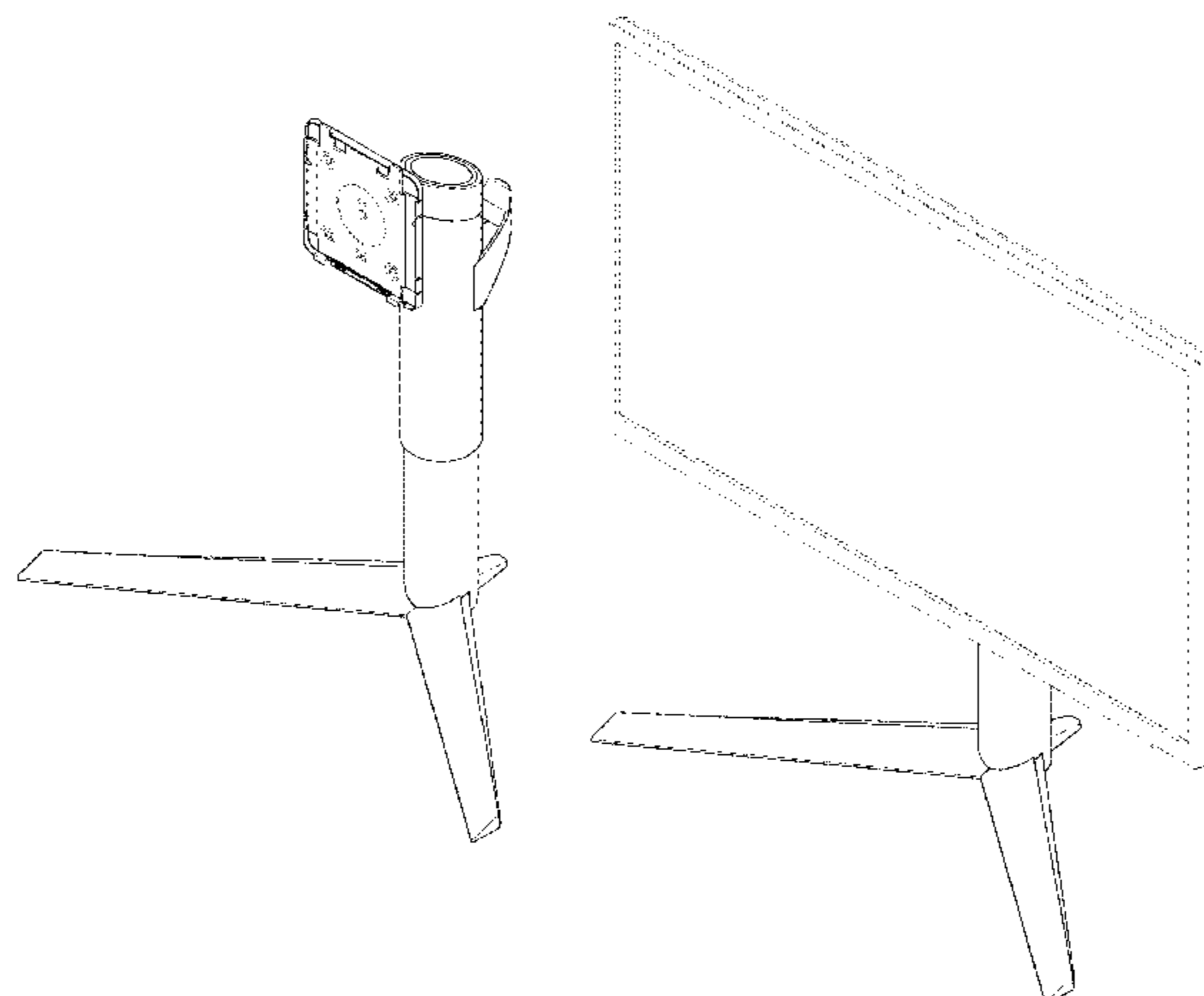
- 1. Stand for computer monitor
- 1.1 : Perspective
- 1.2 : Front
- 1.3 : Back
- 1.4 : Left
- 1.5 : Right
- 1.6 : Top
- 1.7 : Bottom
- 1.8 : Perspective

The parallel fine lines and curves shown in all the drawings indicate the relief of surface of the product; the broken lines in reproductions **1.1-1.5** and **1.7** indicate unclaimed portions of the stand for computer monitor that form no part of the claimed design; the broken line showing of a computer monitor in reproduction **1.8** is for the purpose of illustrating environment and forms no part of the claimed design.

(56) **References Cited**  
U.S. PATENT DOCUMENTS

D529,911 S \* 10/2006 Yamashiro ..... D14/375  
D620,901 S \* 8/2010 Won ..... D14/126

**1 Claim, 7 Drawing Sheets**



(56)

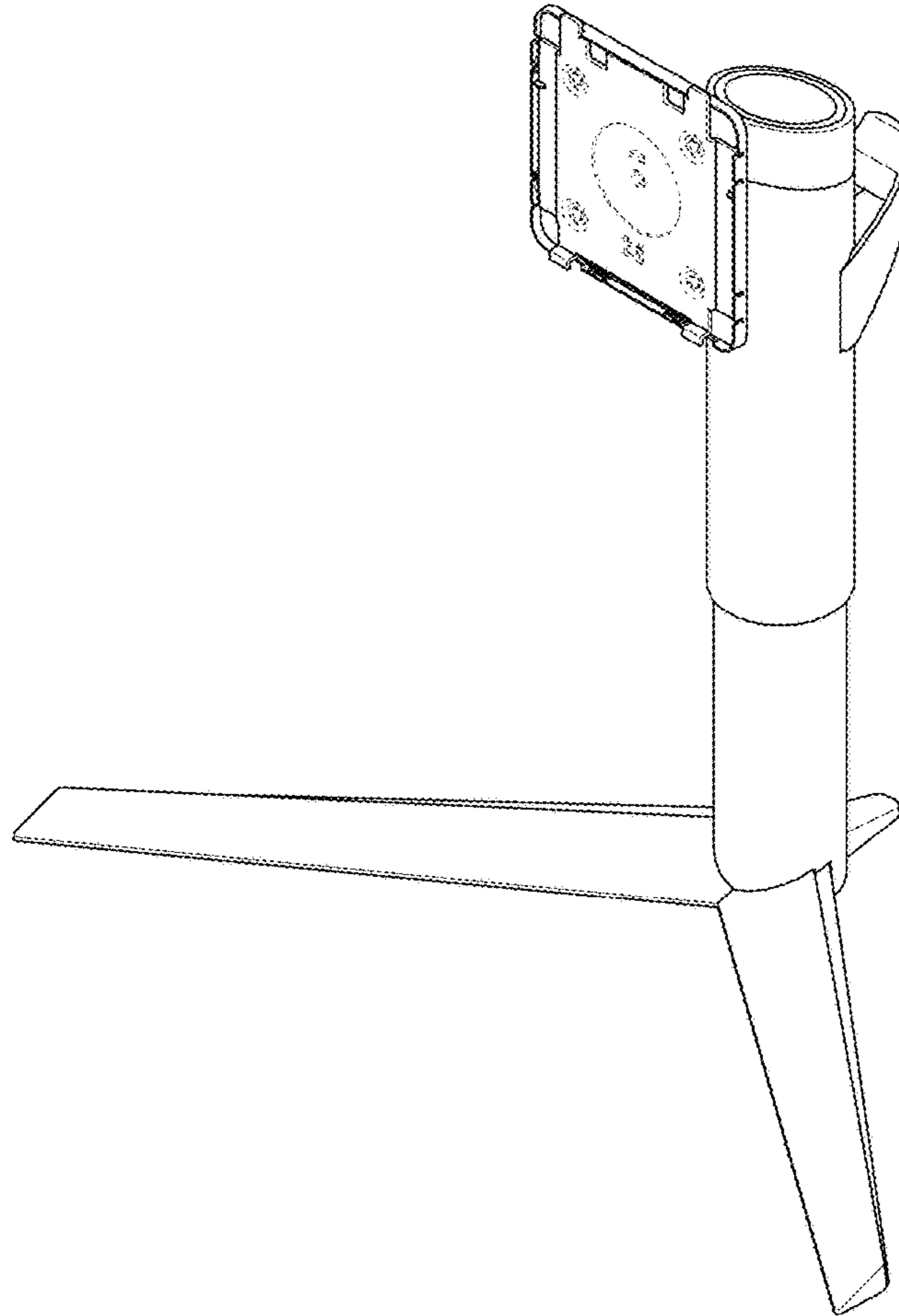
**References Cited**

U.S. PATENT DOCUMENTS

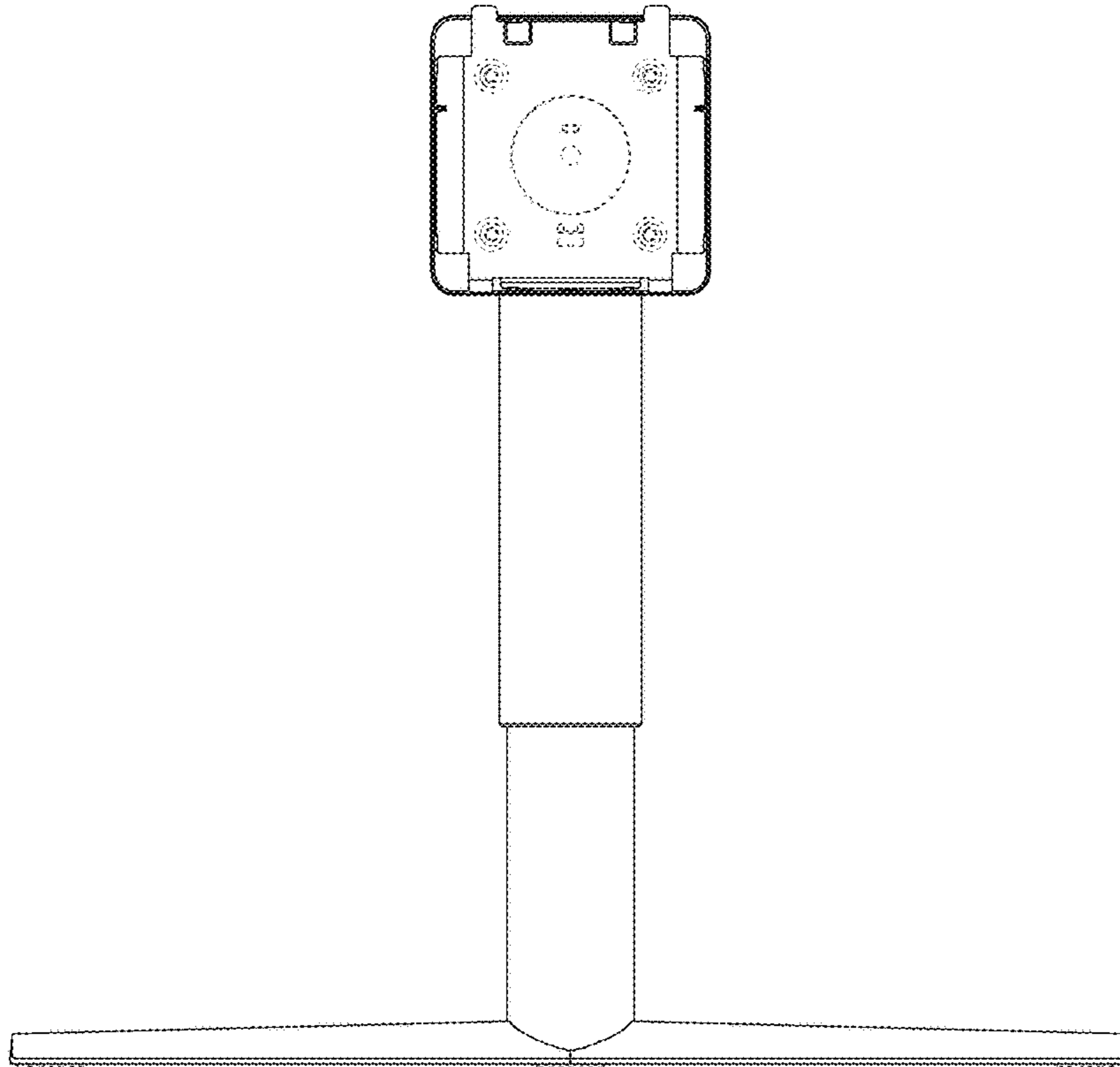
D831,647 S \* 10/2018 Woo ..... D14/374  
D836,583 S \* 12/2018 Cha ..... D14/126

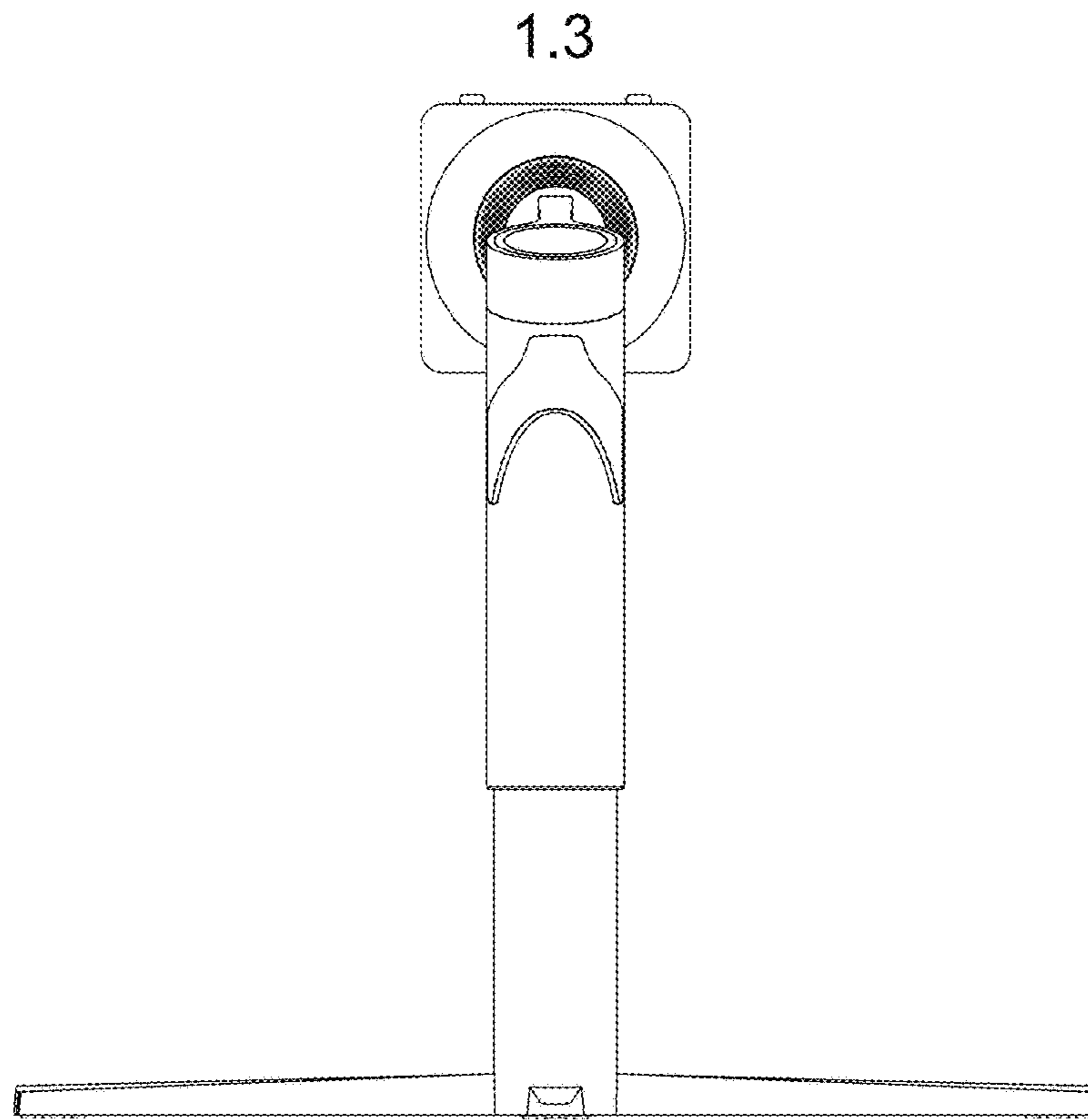
\* cited by examiner

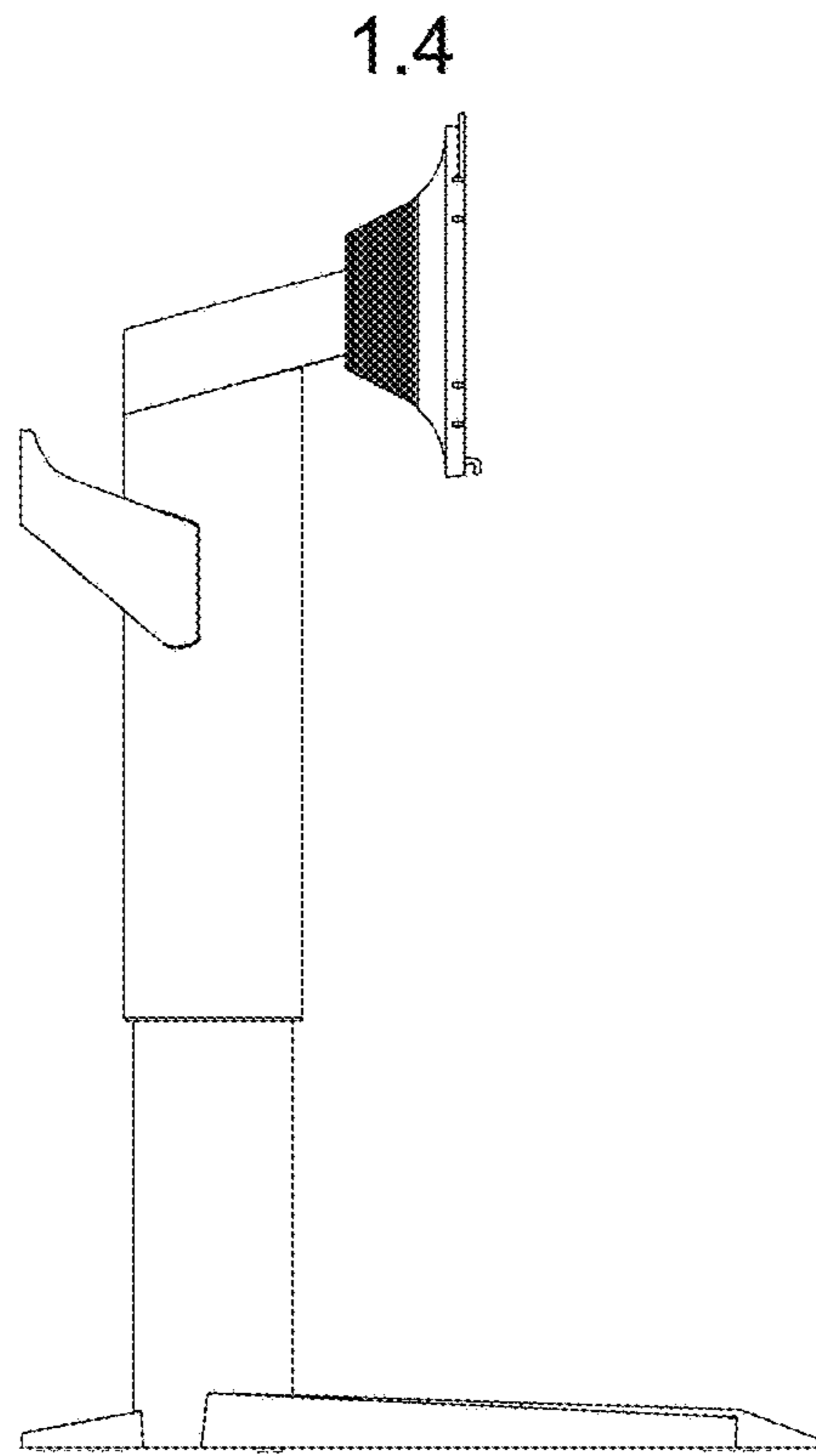
1.1



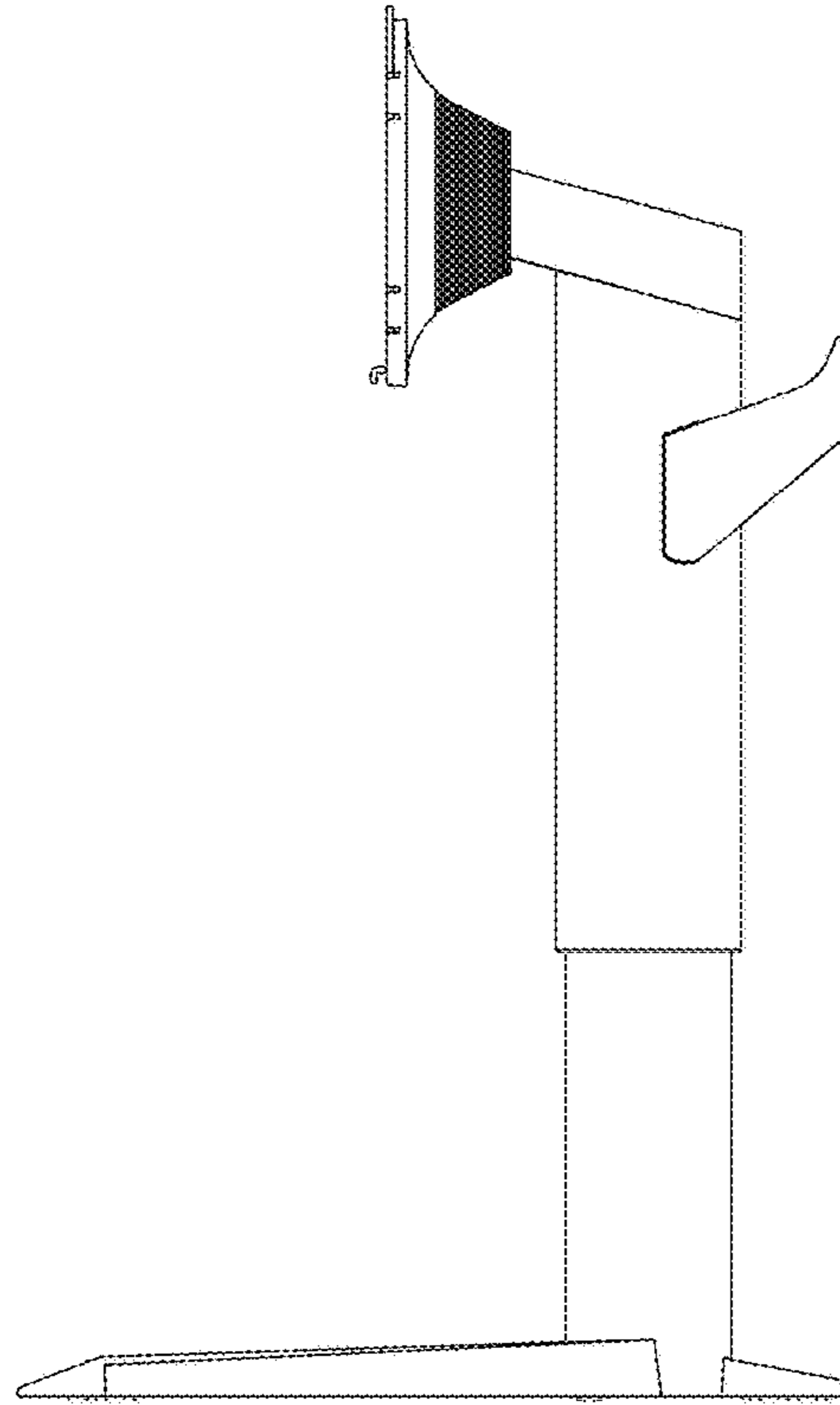
1.2



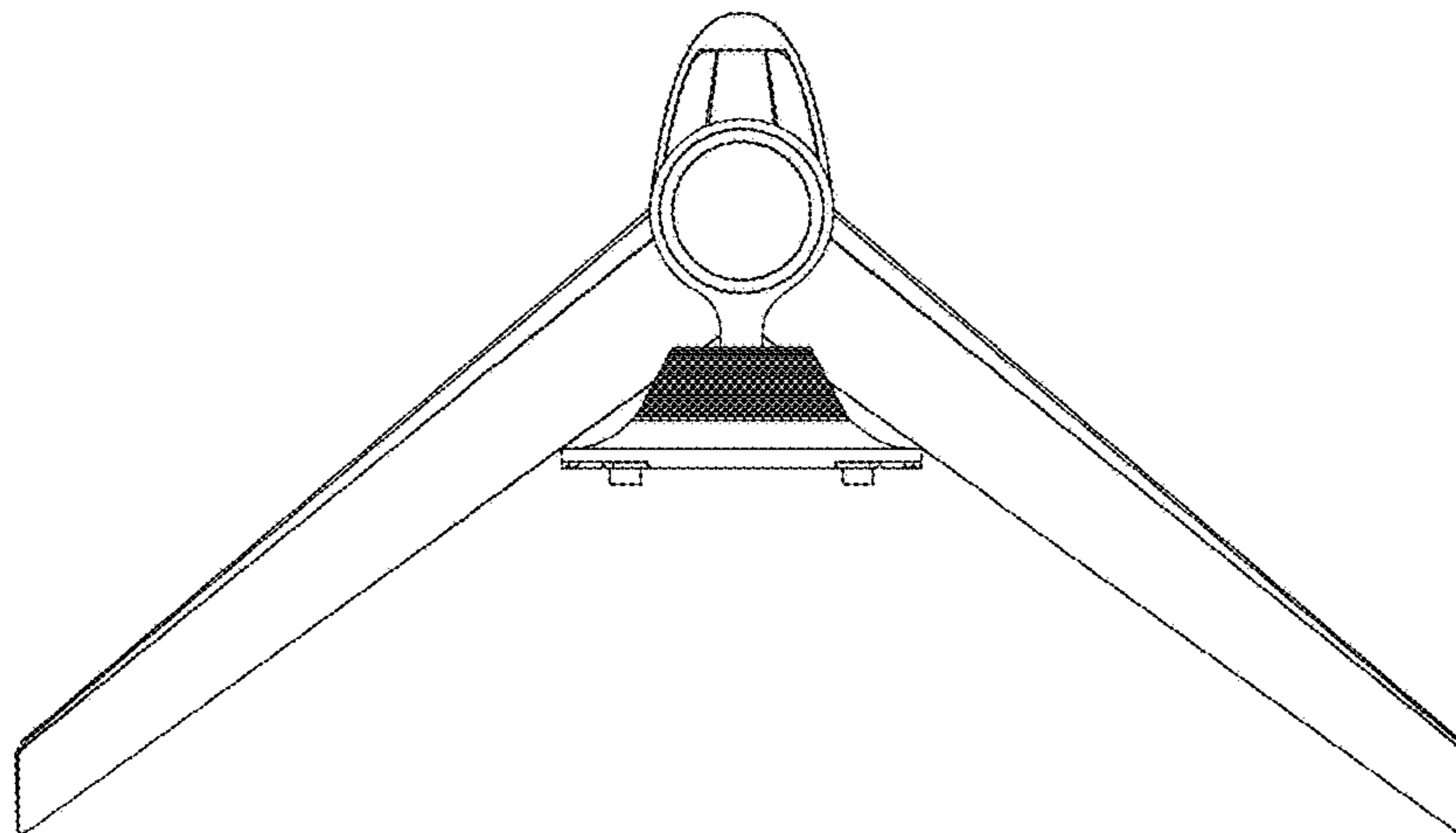




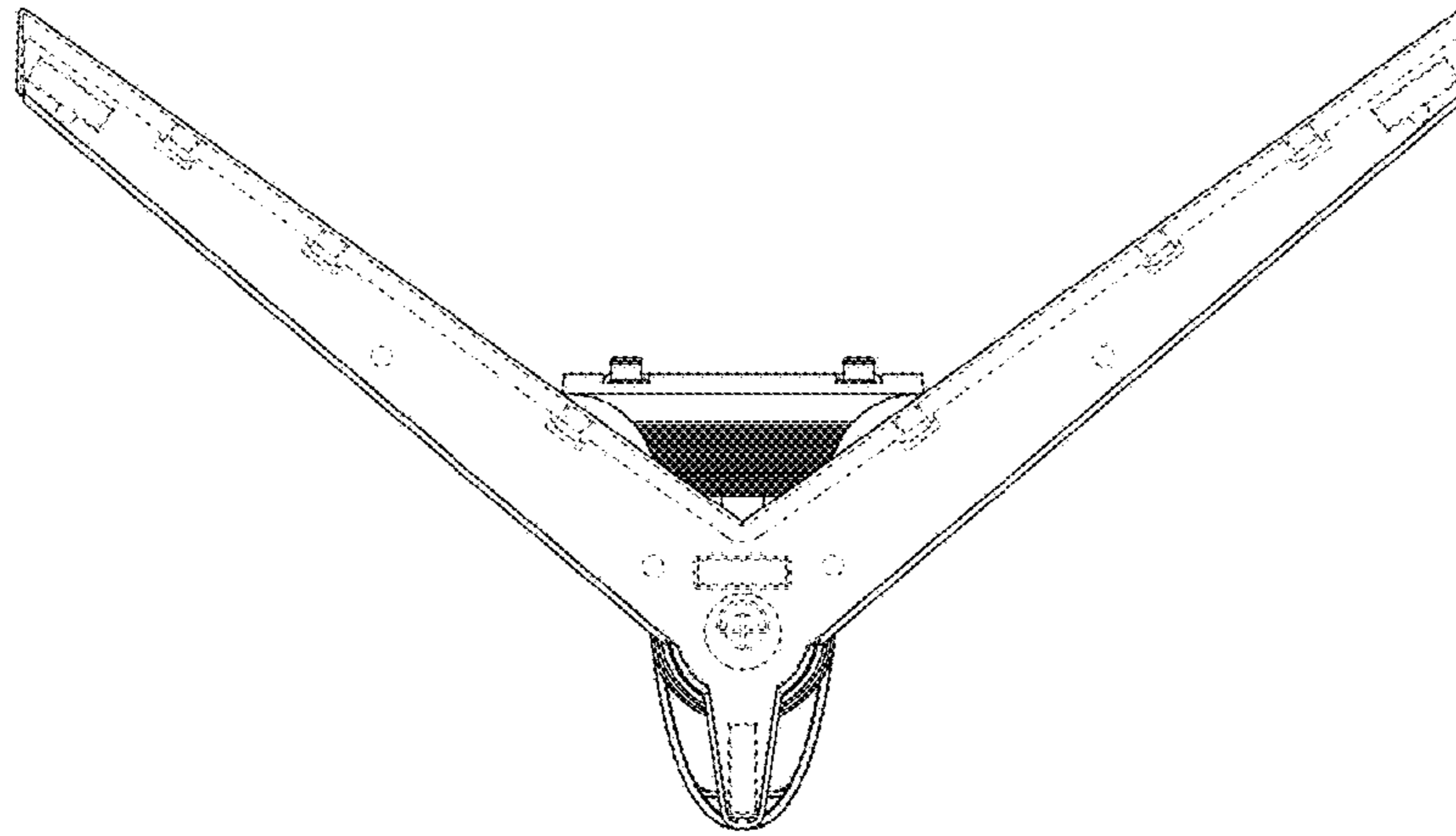
1.5



1.6



1.7





1.8

