



US00D858470S

(12) **United States Design Patent** (10) **Patent No.:** **US D858,470 S**
Lee et al. (45) **Date of Patent:** **** *Sep. 3, 2019**

(54) **TELEVISION**

CPC G06F 1/1626; H04N 5/64; H04N 5/645;
H05K 5/00; H05K 5/0204

See application file for complete search history.

(71) Applicant: **LG ELECTRONICS INC.**, Seoul
(KR)

(56) **References Cited**

U.S. PATENT DOCUMENTS

(72) Inventors: **Sangik Lee**, Seoul (KR); **Yooseok Kim**,
Seoul (KR); **Jeongrok Lee**, Seoul
(KR); **Chulhee Lim**, Seoul (KR)

D731,994	S	*	6/2015	Won	D14/126
D748,596	S	*	2/2016	McManigal	D14/126
D749,532	S	*	2/2016	McManigal	D14/126
D750,582	S	*	3/2016	Kim	D14/126
D783,555	S	*	4/2017	Cho	D14/126
D785,581	S	*	5/2017	McManigal	D14/126
D786,813	S	*	5/2017	McManigal	D14/126
D806,666	S	*	1/2018	Kim	D14/126
D817,902	S	*	5/2018	Lee	D14/126
D818,979	S	*	5/2018	Won	D14/126
10,057,504	B2	*	8/2018	Lee	H04N 5/2628
D827,601	S	*	9/2018	Kim	D14/126
D835,059	S	*	12/2018	Kim	D14/126
D836,075	S	*	12/2018	Ryu	D14/126
D837,756	S	*	1/2019	Cheng	H04N 5/2628
						D14/126
D837,757	S	*	1/2019	Kim	D14/126

(73) Assignee: **LG ELECTRONICS INC.**, Seoul
(KR)

(*) Notice: This patent is subject to a terminal dis-
claimer.

(**) Term: **15 Years**

(21) Appl. No.: **35/504,933**

(22) Filed: **Nov. 14, 2017**

* cited by examiner

(80) **Hague Agreement Data**

Int. Filing Date: **Nov. 14, 2017**

Int. Reg. No.: **DM/098494**

Int. Reg. Date: **Nov. 14, 2017**

Int. Reg. Pub. Date: **May 18, 2018**

Primary Examiner — Robert M. Spear

(74) *Attorney, Agent, or Firm* — Birch, Stewart, Kolasch
& Birch, LLP

(57) **CLAIM**

The ornamental design for a television, as shown and
described.

(30) **Foreign Application Priority Data**

May 18, 2017 (KR) 30-2017-0022317

(51) **LOC (12) Cl.** **14-03**

(52) **U.S. Cl.**

USPC **D14/126**

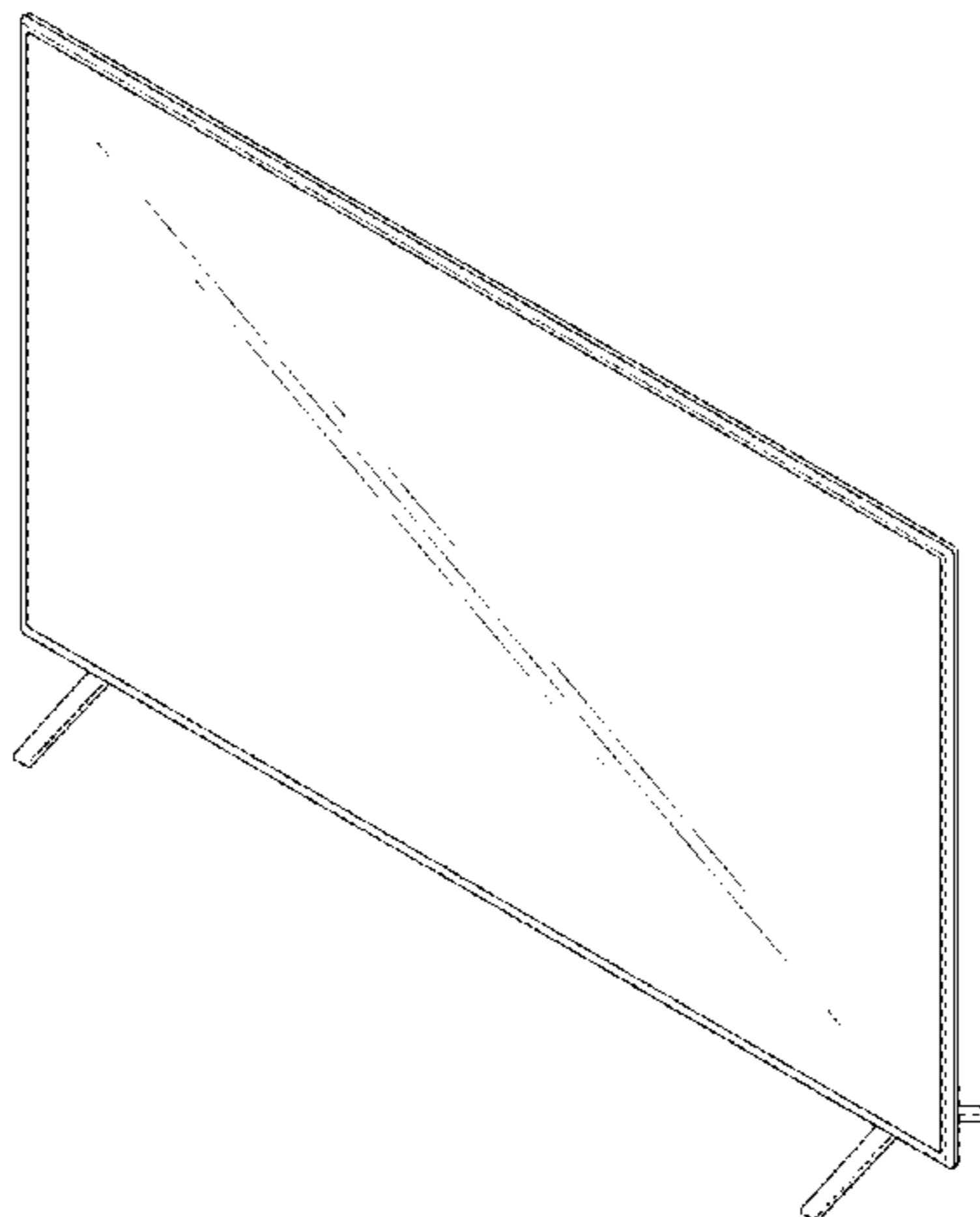
(58) **Field of Classification Search**

USPC D14/126, 316, 335, 336, 340, 374;
D21/515

DESCRIPTION

- 1. Television
- 1.1 : Perspective
- 1.2 : Front
- 1.3 : Back
- 1.4 : Left
- 1.5 : Right
- 1.6 : Top
- 1.7 : Bottom

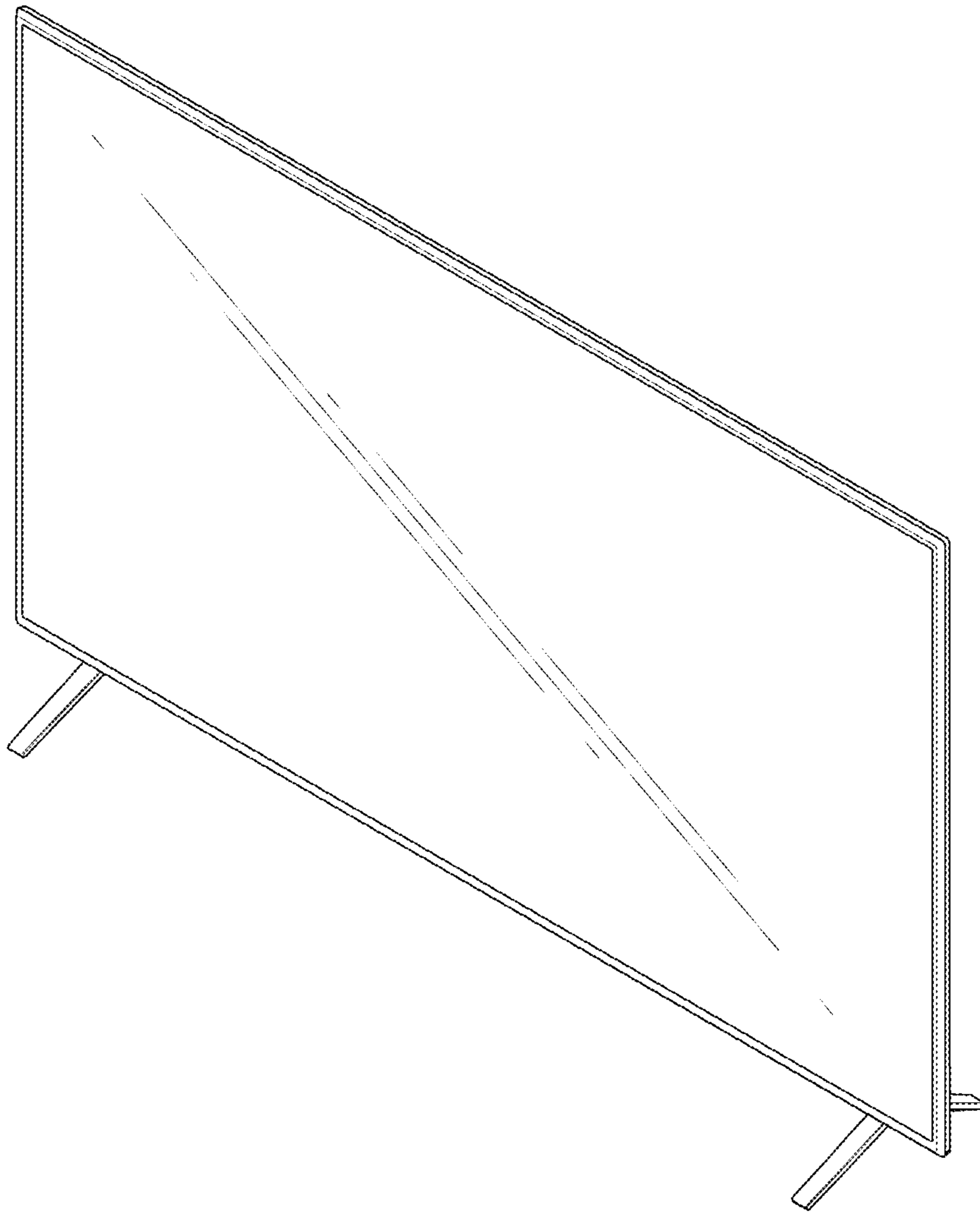
(Continued)



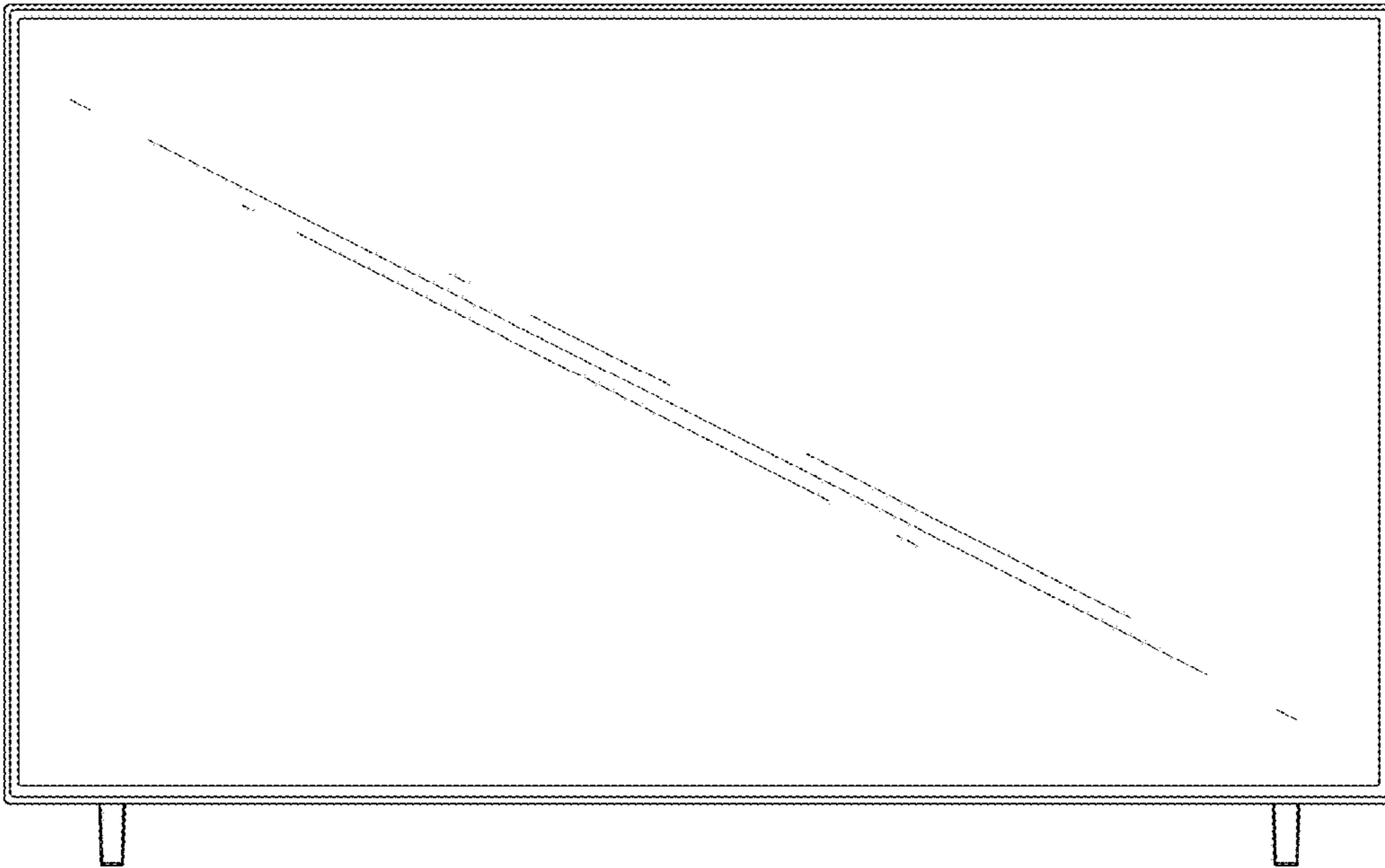
The parallel fine lines and curves shown in all the drawings indicate the relief of surface of the product; the broken lines indicate unclaimed portions of the article-that form no part of the claimed design.

1 Claim, 4 Drawing Sheets

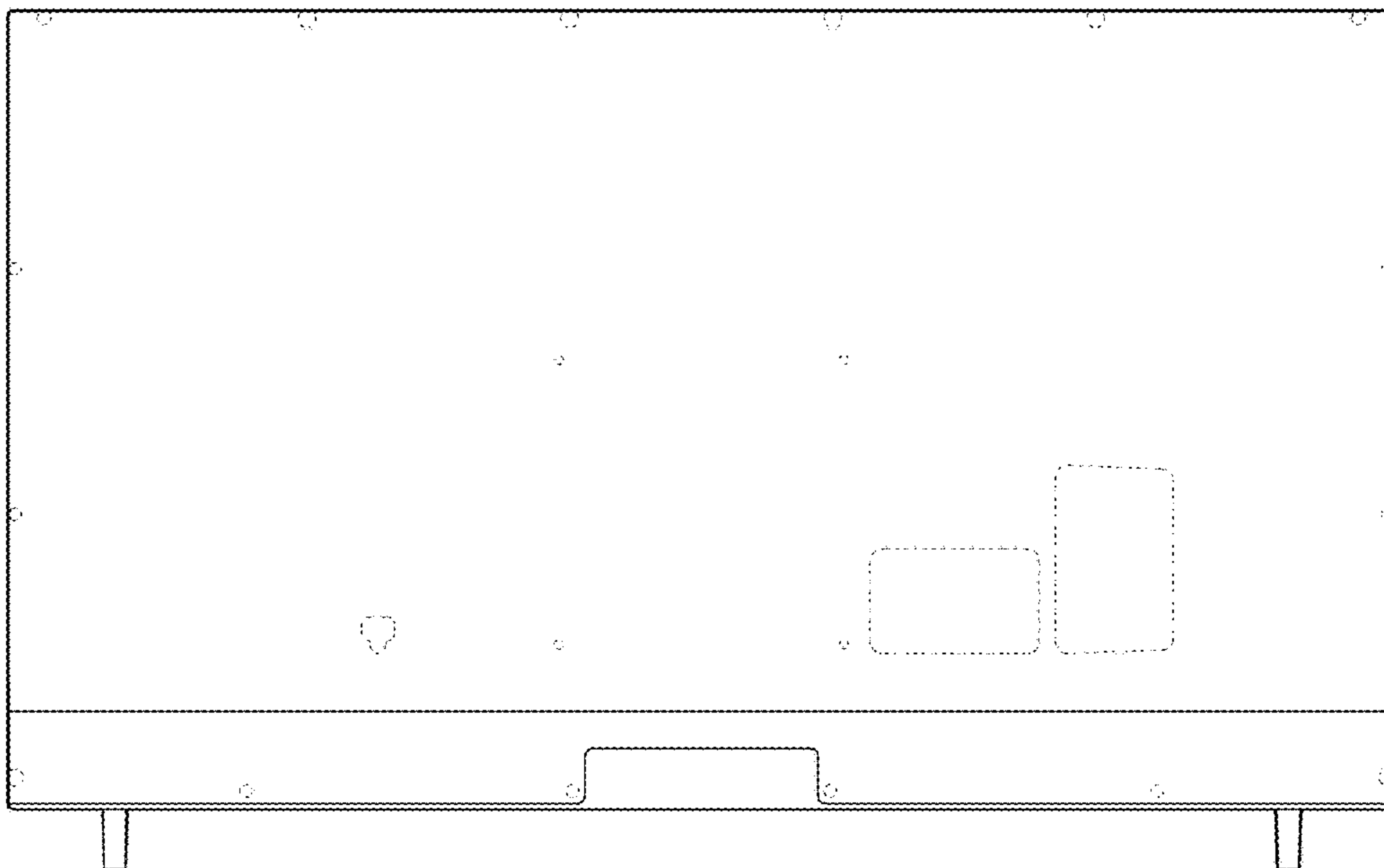
1.1



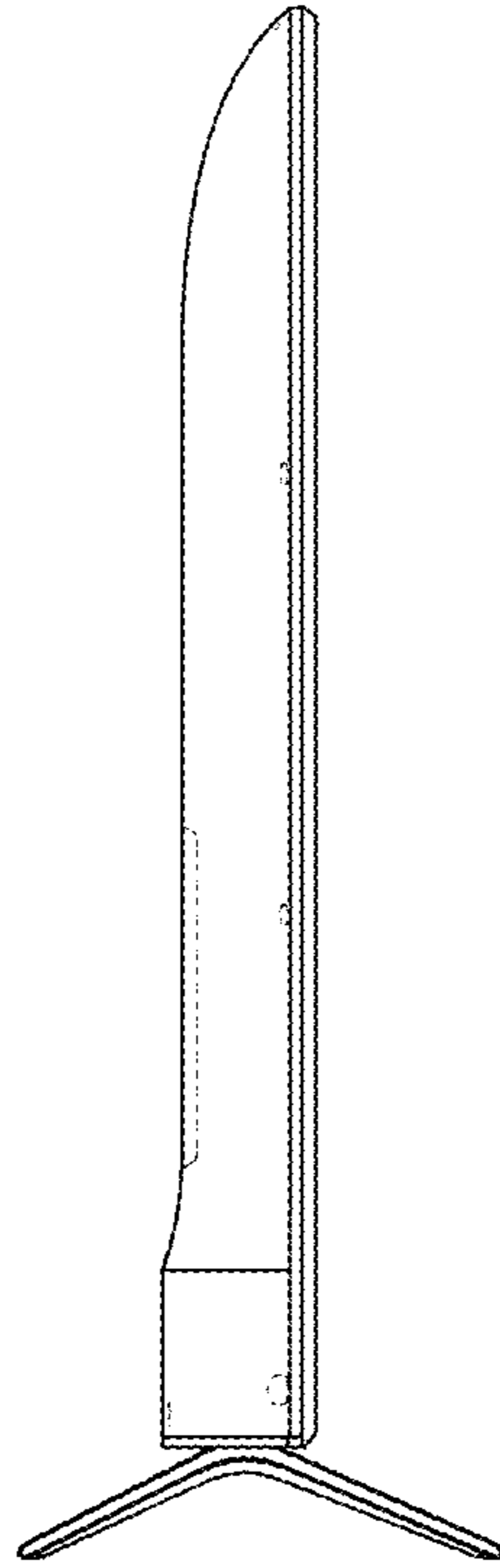
1.2



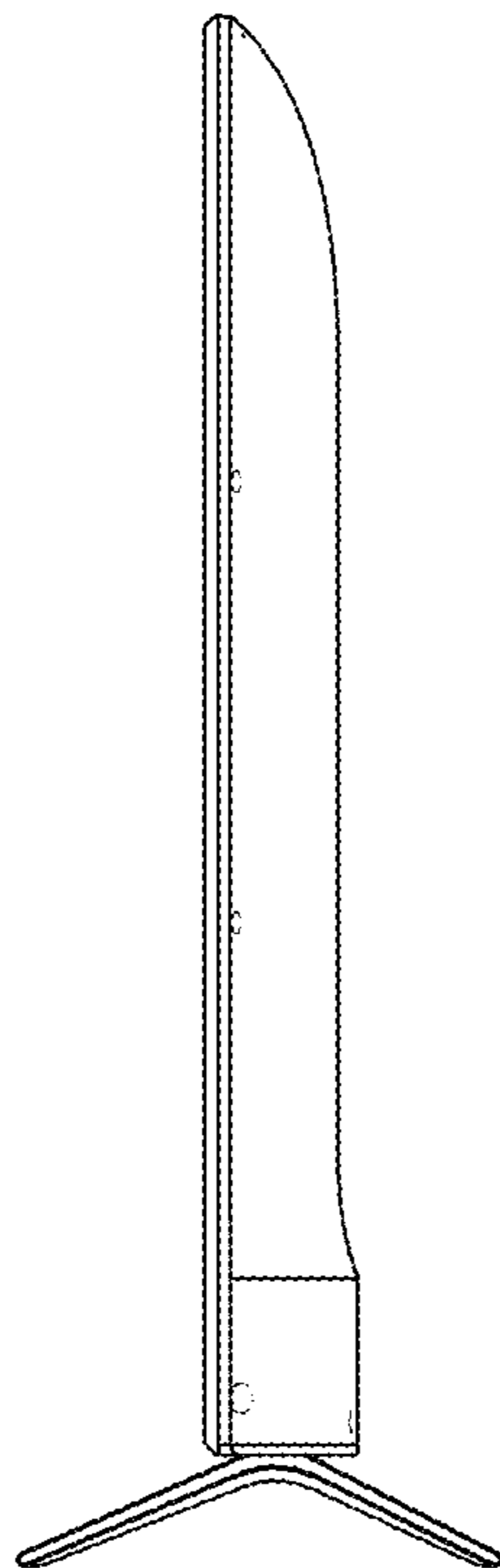
1.3



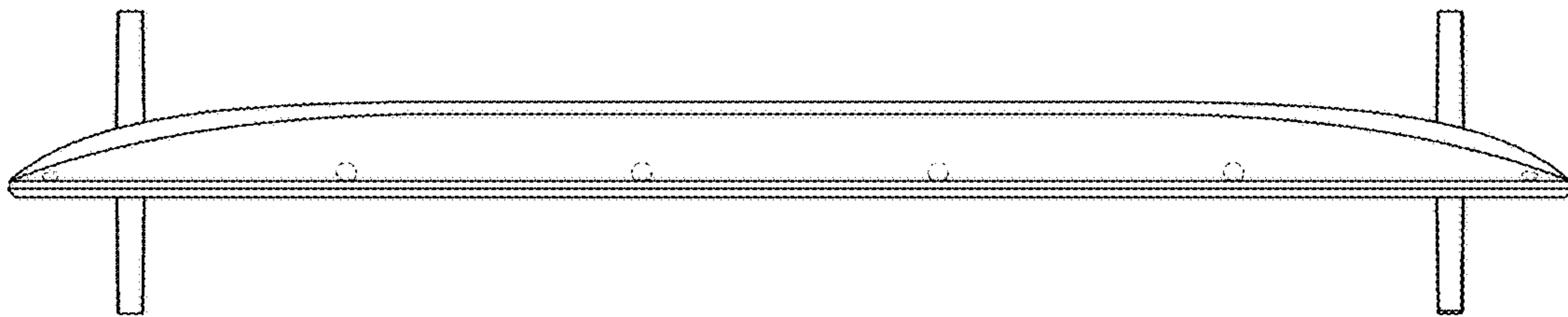
1.4



1.5



1.6



1.7

