



US00D858469S

(12) **United States Design Patent**
Krishnan et al.

(10) **Patent No.:** **US D858,469 S**

(45) **Date of Patent:** **** Sep. 3, 2019**

(54) **CHEMICAL VAPOR DEPOSITION WAFER CARRIER WITH THERMAL COVER**

FOREIGN PATENT DOCUMENTS

(71) Applicant: **Veeco Instruments Inc.**, Plainview, NY (US)

CN 102130035 A 7/2011
CN 202492576 U 10/2012

(Continued)

(72) Inventors: **Sandeep Krishnan**, Jersey City, NJ (US); **Yuliy Rashkovsky**, Millburn, NJ (US); **Alexander Gurary**, Bridgewater, NJ (US); **Leo Chin**, Poughquag, NY (US); **Mandar Deshpande**, Bridgewater, NJ (US)

OTHER PUBLICATIONS

Gurary et al., "Investigation of the Wafer Temperature Uniformity in an OMVPE Vertical Rotating Disk Reactor," *Journal of Electronic Material*, Nov. 1995, vol. 24, Issue 11, Abstract, 1 page.

(Continued)

(73) Assignee: **Veeco Instruments Inc.**, Plainview, NY (US)

Primary Examiner — Elizabeth J Oswecki

(**) Term: **15 Years**

(74) *Attorney, Agent, or Firm* — Patterson Thuent Pedersen, P.A.

(21) Appl. No.: **29/641,930**

(22) Filed: **Mar. 26, 2018**

(51) **LOC (12) Cl.** **13-03**

(52) **U.S. Cl.**
USPC **D13/182**

(58) **Field of Classification Search**
USPC D13/182; D15/144, 144.1, 144.2; D23/323, 328, 335, 336, 337, 341, 352, D23/357, 385, 386, 397, 399, 400, 406, D23/411, 413, 499

CPC C23C 16/455; C23C 16/45502; C23C 16/45517; C23C 16/4582; C23C 16/4583; C23C 16/4584; C23C 16/4585; C23C 16/4401; C23C 16/4402; C23C 16/4409; H01L 21/50; H01L 21/4817; H01L 21/4871; H01L 23/02; H01L 23/04; H01L

(Continued)

(56) **References Cited**

U.S. PATENT DOCUMENTS

3,461,537 A 8/1969 Lotz
3,783,822 A * 1/1974 Wollam C23C 16/4584
118/725

(Continued)

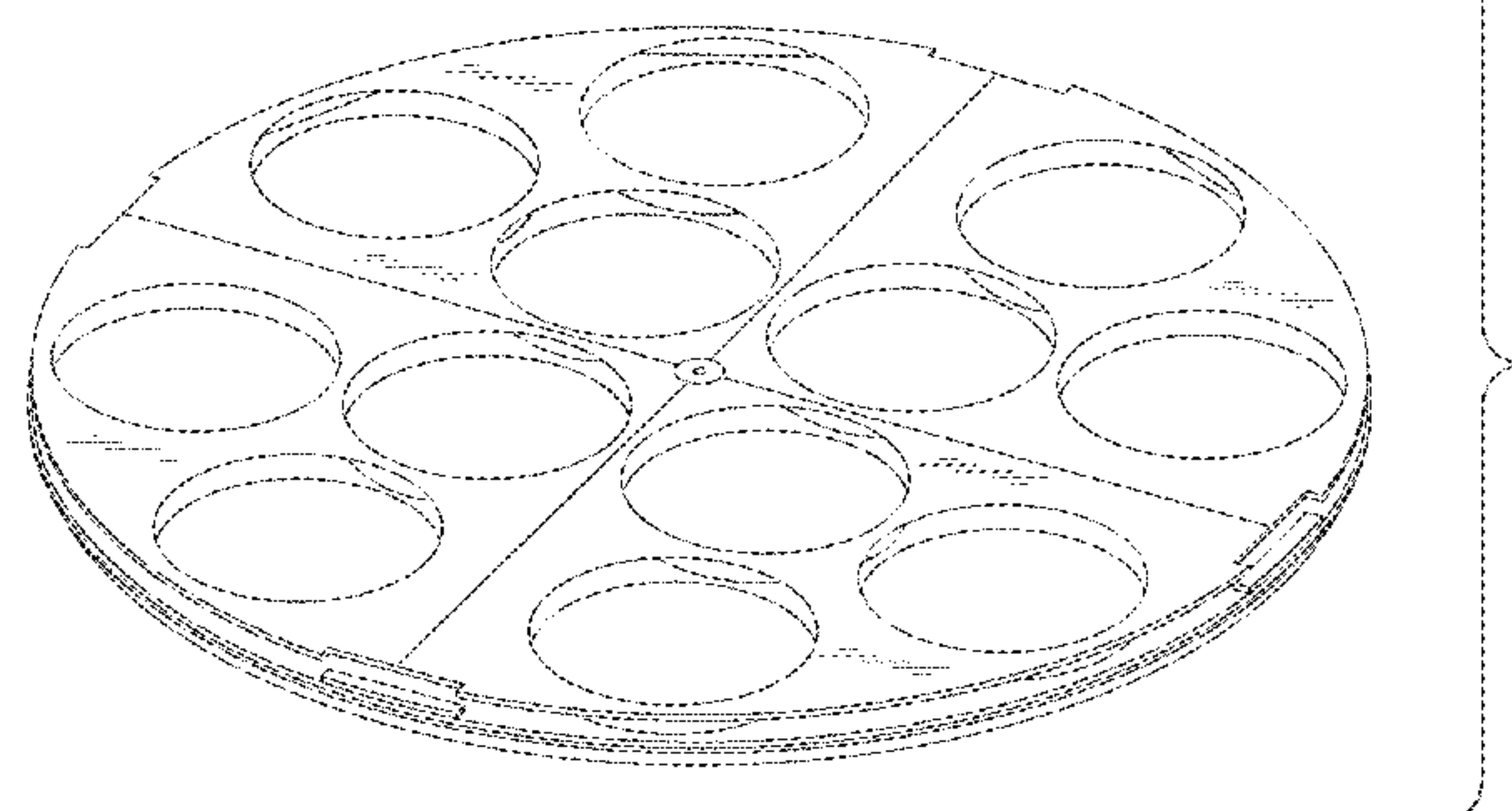
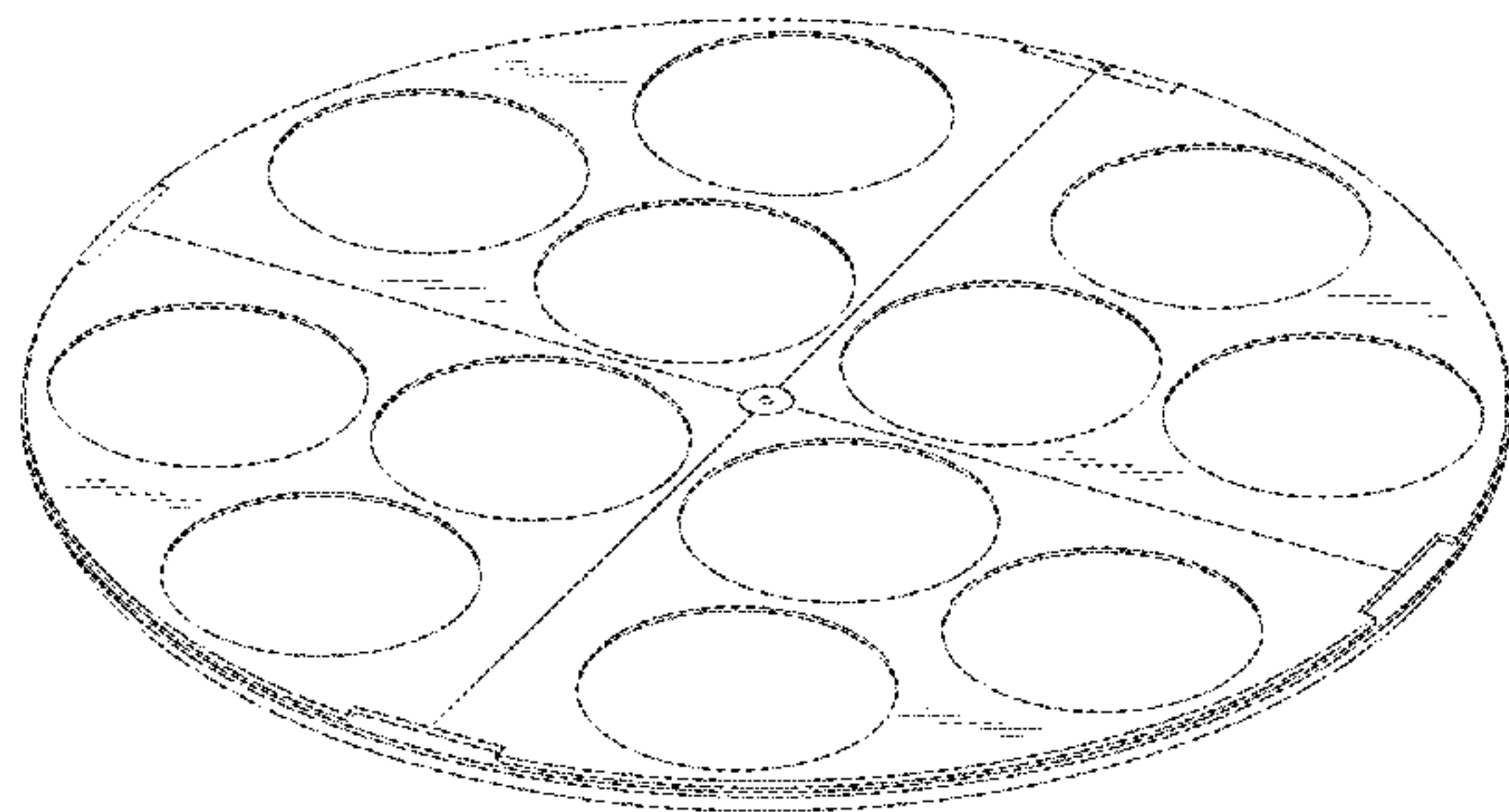
(57) **CLAIM**

The ornamental design for a chemical vapor deposition wafer carrier with thermal cover, as shown and described.

DESCRIPTION

FIG. 1 is a perspective view of a chemical vapor deposition wafer carrier with thermal cover showing our new design. FIG. 2 is a top plan view thereof. FIG. 3 is a right side view thereof, with the left side view, front view, and rear view being identical. FIG. 4 is a bottom plan view thereof. FIG. 5 is an exploded view thereof, with portions of the thermal cover elevated from the remainder of the chemical vapor deposition wafer carrier with thermal cover. FIG. 6 is a bottom perspective view thereof; and, FIG. 7 is a perspective view of the thermal cover of the chemical vapor deposition wafer carrier with thermal cover, shown separately for ease of illustration.

1 Claim, 7 Drawing Sheets



(58) **Field of Classification Search**
 CPC 23/12; H01L 23/13; H01L 23/14; H05K
 3/30; B24B 37/27; B24B 37/28; B24B
 37/30; B24B 41/06; B24B 41/067; B24B
 37/04; B64C 11/04; B64C 11/16; B64C
 11/14; B64C 11/18; B64C 11/20; B64C
 2001/009; F03D 3/062; F04D 19/002;
 F24F 1/0018; B64D 13/02; E04C 2/427
 See application file for complete search history.

(56) **References Cited**

U.S. PATENT DOCUMENTS

3,845,738 A 11/1974 Berkman et al.
 3,895,967 A 7/1975 Anthony et al.
 4,165,584 A * 8/1979 Scherrer B24B 37/32
 257/E21.214
 D320,361 S * 10/1991 Karasawa D10/103
 D325,934 S * 5/1992 Ramljak D11/147
 5,152,842 A 10/1992 Urata et al.
 5,191,738 A * 3/1993 Nakazato B24B 37/013
 451/287
 5,242,501 A 9/1993 McDiarmid
 5,690,742 A 11/1997 Ogata et al.
 6,001,183 A 12/1999 Gurary et al.
 6,436,796 B1 8/2002 Mailho et al.
 6,492,625 B1 12/2002 Boguslaskiy et al.
 6,506,252 B2 1/2003 Boguslaskiy et al.
 6,666,756 B1 12/2003 Travis
 6,902,623 B2 6/2005 Gurary et al.
 D517,073 S 3/2006 McDonald et al.
 7,101,272 B2 9/2006 Chen et al.
 7,122,844 B2 10/2006 Nakamura et al.
 7,276,124 B2 10/2007 Gurary et al.
 8,021,487 B2 9/2011 Boguslaskiy et al.
 8,092,599 B2 1/2012 Sferlazzo et al.
 8,093,696 B2 1/2012 Yoon et al.
 8,182,315 B2 5/2012 Nguyen
 8,216,379 B2 * 7/2012 Ishikawa C23C 16/4583
 118/728
 D674,759 S * 1/2013 Chang D13/182
 8,366,830 B2 2/2013 Nakamura et al.
 8,367,477 B2 2/2013 Chien et al.
 8,372,204 B2 2/2013 Nakamura et al.
 D686,175 S * 7/2013 Gurary D13/182
 D686,582 S * 7/2013 Krishnan D13/182
 8,486,726 B2 7/2013 Mangum et al.
 8,518,753 B2 8/2013 Wu et al.
 8,535,445 B2 9/2013 Volf et al.
 D690,671 S * 10/2013 Gurary D13/182
 8,552,547 B2 10/2013 Chien et al.
 8,562,746 B2 10/2013 Gurary et al.
 D695,241 S * 12/2013 Gurary D13/182
 D695,242 S * 12/2013 Gurary D13/182
 8,603,248 B2 12/2013 Gurary et al.
 D704,155 S * 5/2014 Chang D13/182
 D721,417 S * 1/2015 Sawchuk D23/213
 9,017,483 B2 4/2015 Fujikawa et al.
 D731,409 S 6/2015 Erlich et al.
 D754,785 S * 4/2016 Gibson D17/22
 D778,247 S * 2/2017 Gurary H01L 21/68721
 D13/182
 D793,971 S * 8/2017 Krishnan H01L 21/68764
 D13/182
 D793,972 S * 8/2017 Krishnan C23C 16/458
 D13/182
 D797,067 S * 9/2017 Zhang D13/182
 D806,046 S * 12/2017 Gurary D13/182
 D813,181 S * 3/2018 Okajima D13/182
 2002/0027762 A1 3/2002 Yamaguchi
 2003/0057089 A1 * 3/2003 Nguyen C23C 14/50
 204/298.15
 2004/0179323 A1 9/2004 Litman et al.
 2005/0011436 A1 1/2005 Liu
 2005/0274374 A1 12/2005 Boguslaskiy et al.
 2006/0102081 A1 5/2006 Ueno et al.

2007/0186853 A1 8/2007 Gurary et al.
 2009/0155028 A1 * 6/2009 Boguslaskiy C23C 16/4581
 414/223.01
 2009/0224175 A1 9/2009 Lee et al.
 2010/0055318 A1 3/2010 Volf et al.
 2010/0055320 A1 3/2010 Honma
 2010/0162957 A1 7/2010 Boyd et al.
 2010/0190418 A1 7/2010 Yasuoka et al.
 2011/0049779 A1 3/2011 Egami et al.
 2011/0290175 A1 12/2011 Paranjpe et al.
 2011/0300297 A1 12/2011 Celaru et al.
 2012/0040097 A1 2/2012 Volf et al.
 2012/0156374 A1 6/2012 Gurary et al.
 2012/0234229 A1 9/2012 Nguyen et al.
 2012/0240859 A1 * 9/2012 Chen C23C 16/4584
 118/730
 2012/0272892 A1 11/2012 Paranjpe et al.
 2013/0175005 A1 7/2013 Gowdaru et al.
 2013/0276704 A1 * 10/2013 Krishnan C23C 16/4584
 118/725
 2013/0291798 A1 11/2013 Lee et al.
 2014/0110894 A1 4/2014 Lee et al.
 2014/0261187 A1 9/2014 Krishnan et al.
 2014/0261698 A1 * 9/2014 Krishnan C30B 25/12
 137/1
 2014/0360430 A1 * 12/2014 Armour C23C 16/4586
 118/725
 2015/0118009 A1 * 4/2015 Hsieh H01L 21/68735
 414/800
 2015/0187620 A1 7/2015 Gurary et al.
 2015/0330601 A1 11/2015 Jungwirth
 2016/0251758 A1 9/2016 Mitrovic et al.
 2017/0076972 A1 * 3/2017 Krishnan H01L 21/68785
 2017/0121847 A1 5/2017 Armour et al.

FOREIGN PATENT DOCUMENTS

CN 103258763 A 8/2013
 CN 203569185 U 4/2014
 CN 203569186 U 4/2014
 CN 203715721 U 7/2014
 CN 204982132 U 1/2016
 CN 105369348 A 3/2016
 CN 105810625 A 7/2016
 CN 105810626 A 7/2016
 CN 206127421 U 4/2017
 DE 10261362 A1 7/2004
 EP 0795624 A1 9/1997
 EP 1096549 A2 5/2001
 JP S58128724 A 8/1983
 JP H04110466 A 4/1992
 JP H10167885 A 6/1998
 JP H10167886 A 6/1998
 JP 2004128271 A 4/2004
 JP 2006066417 A 3/2006
 JP 5156240 B2 3/2013
 KR 100854974 B1 8/2008
 KR 1020090036722 4/2009
 KR 1020090038606 A 4/2009
 KR 101235928 B1 2/2013
 TW D142257 S 9/2011
 TW D152296 S 3/2013
 TW M496228 U 2/2015
 TW 201624596 A 7/2016
 TW 201624605 A 7/2016
 TW M531049 U 10/2016
 TW D181305 S 2/2017
 TW D181306 S 2/2017
 WO WO 1999/018599 A2 4/1999
 WO WO 2003/069029 A1 8/2003
 WO WO 2012/021370 A1 2/2012
 WO WO 2013/123859 A1 8/2013

OTHER PUBLICATIONS

International Written Opinion and Search Report for International
 Application No. PCT/US2011/061615 dated May 18, 2012, 9 pages.

(56)

References Cited

OTHER PUBLICATIONS

Application No. PCT/US2014/072425, filed Dec. 26, 2014, International Search Report dated Apr. 29, 2015, 3 pages.
Application No. PCT/US2014/072425, filed Dec. 26, 2014, Written Opinion dated Apr. 29, 2015, 7 pages.
Application No. PCT/US2011/0456567, Search Report dated Dec. 21, 2011, 6 pages.
Application No. PCT/US2014/041134, Written Opinion and Search Report dated Oct. 7, 2014, 11 pages.
Taiwan Application No. 103145394, Search Report dated Jan. 9, 2018, 9 page.
Taiwan Application No. 106307693, Office Action dated Jun. 8, 2018, 2 pages.
Taiwan Application No. 106307693D01, Search Report dated May 5, 2018, 1 page.
Application and file history for U.S. Appl. No. 14/297,244, filed Jun. 5, 2014. Inventors: Armour et al.
Application and file history for U.S. Appl. No. 15/403,709, filed Jan. 11, 2017. Inventors: Armour et al.

Application and file history for U.S. Appl. No. 14/583,346, filed Dec. 26, 2014. Inventors: Guruary et al.
Application and file history for Design U.S. Appl. No. 29/641,924, filed Mar. 26, 2018. Inventors: Krishnan et al.
Application and file history for Design U.S. Appl. No. 9/627,938, filed Nov. 30, 2017. Inventors: Rashkovsky et al.
Application and file history for Design U.S. Appl. No. 29/627,940, filed Nov. 30, 2017. Inventors: Rashkovsky et al.
Application and file history for Design U.S. Appl. No. 29/641,925, filed Mar. 26, 2018. Inventors Krishnan et al.
Application and file history for Design U.S. Appl. No. 29/641,927, filed Mar. 26, 2018. Inventors: Krishnan et al.
Application and file history for Design U.S. Appl. No. 29/641,928, filed Mar. 16, 2018. Inventors: Krishnan et al.
Application and file history for Design U.S. Appl. No. 29/641,931, filed Mar. 26, 2018. Inventors: Krishnan et al.
Application and file history for Design U.S. Appl. No. 29/641,933, filed Mar. 26, 2018. Inventors: Krishnan et al.

* cited by examiner

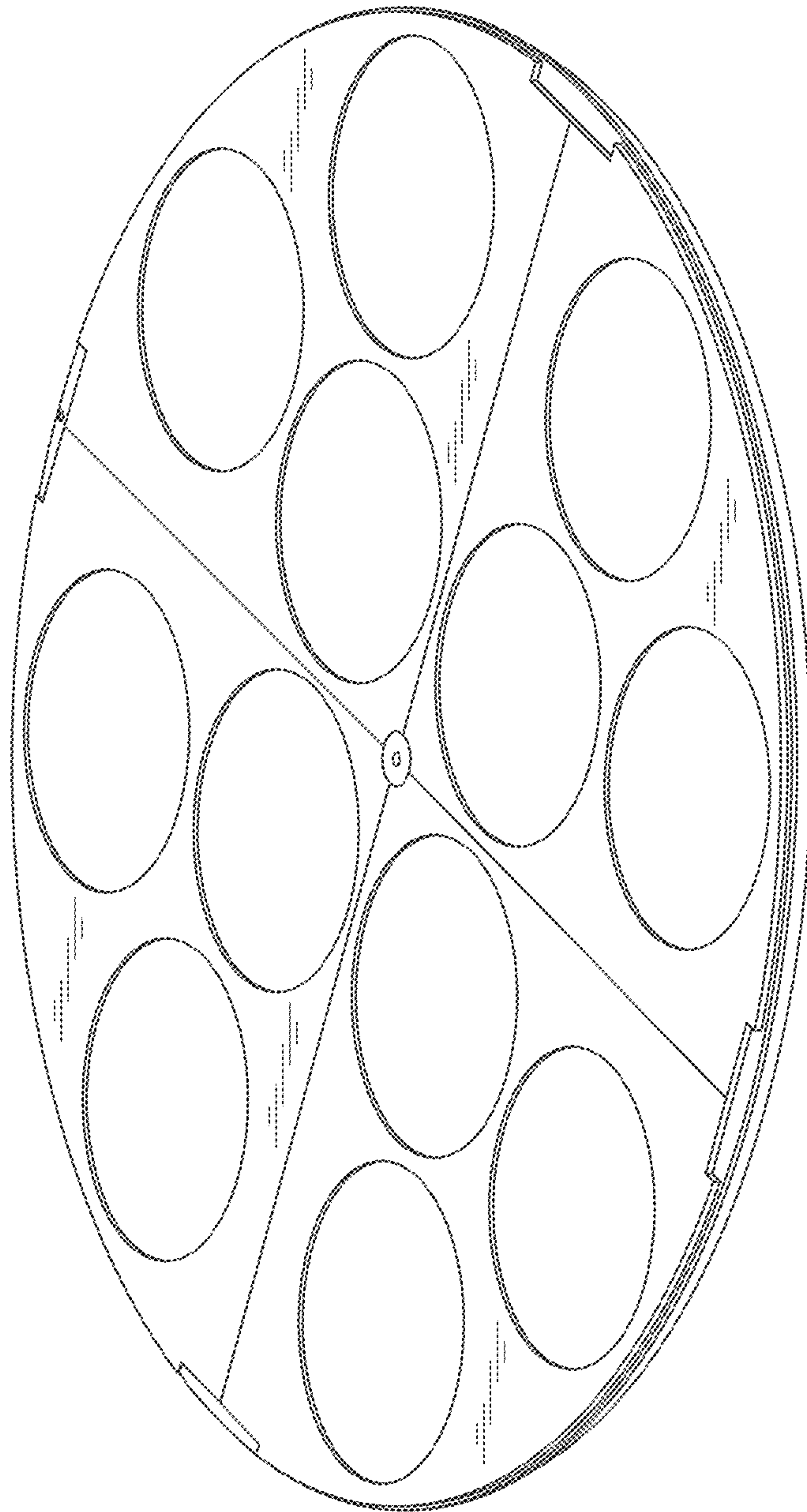


FIG. 1

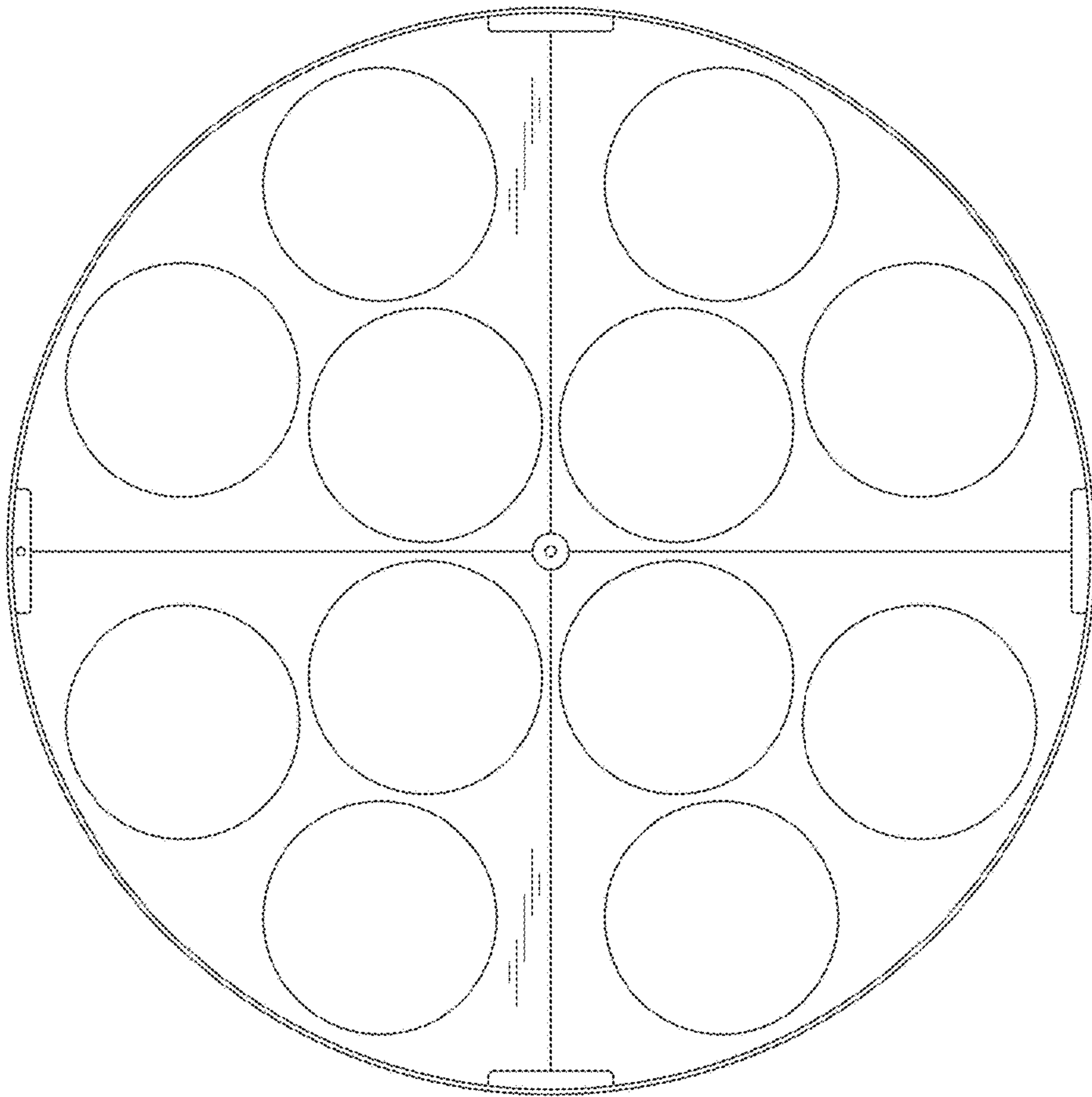


FIG. 2



FIG. 3

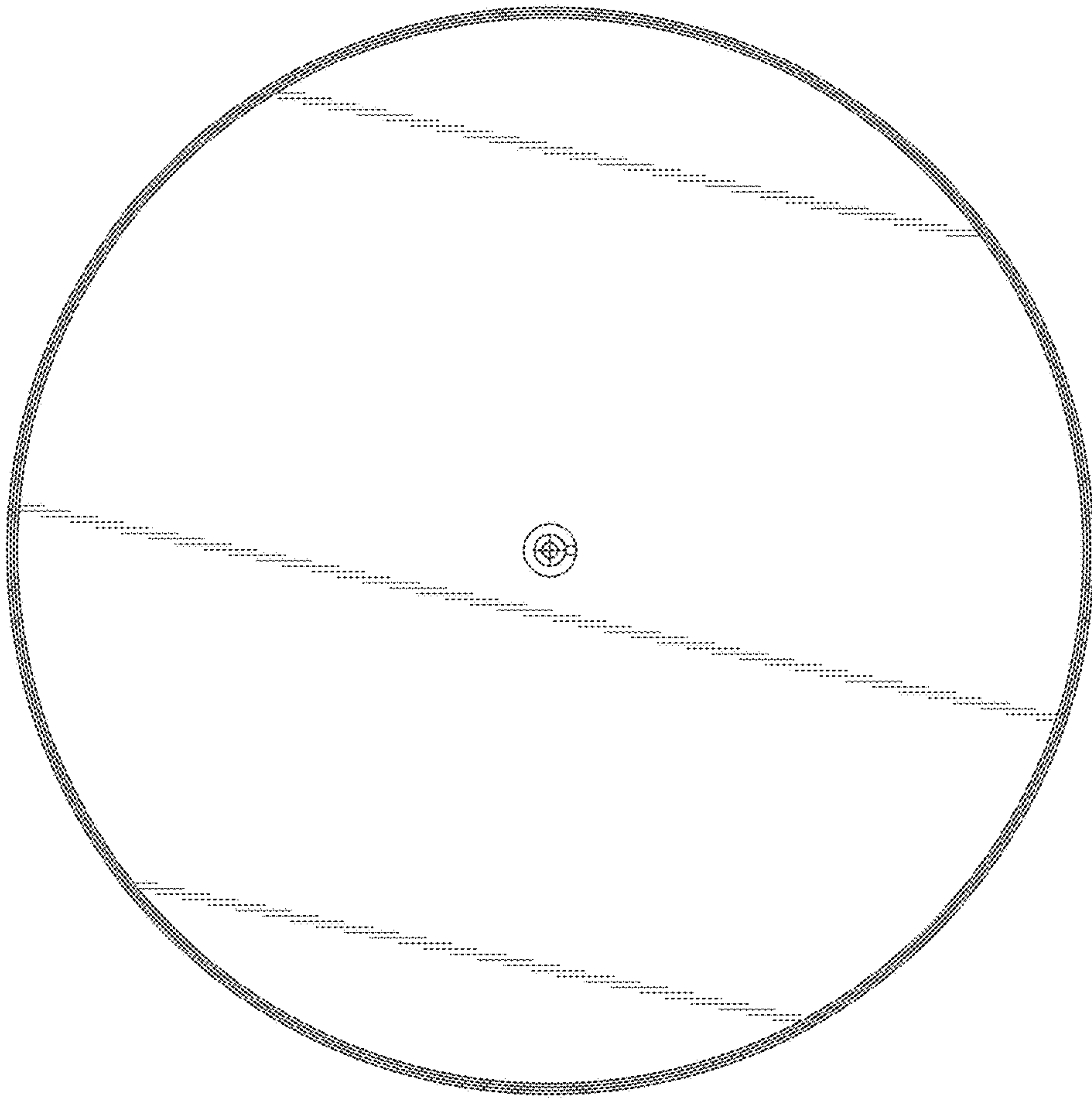


FIG. 4

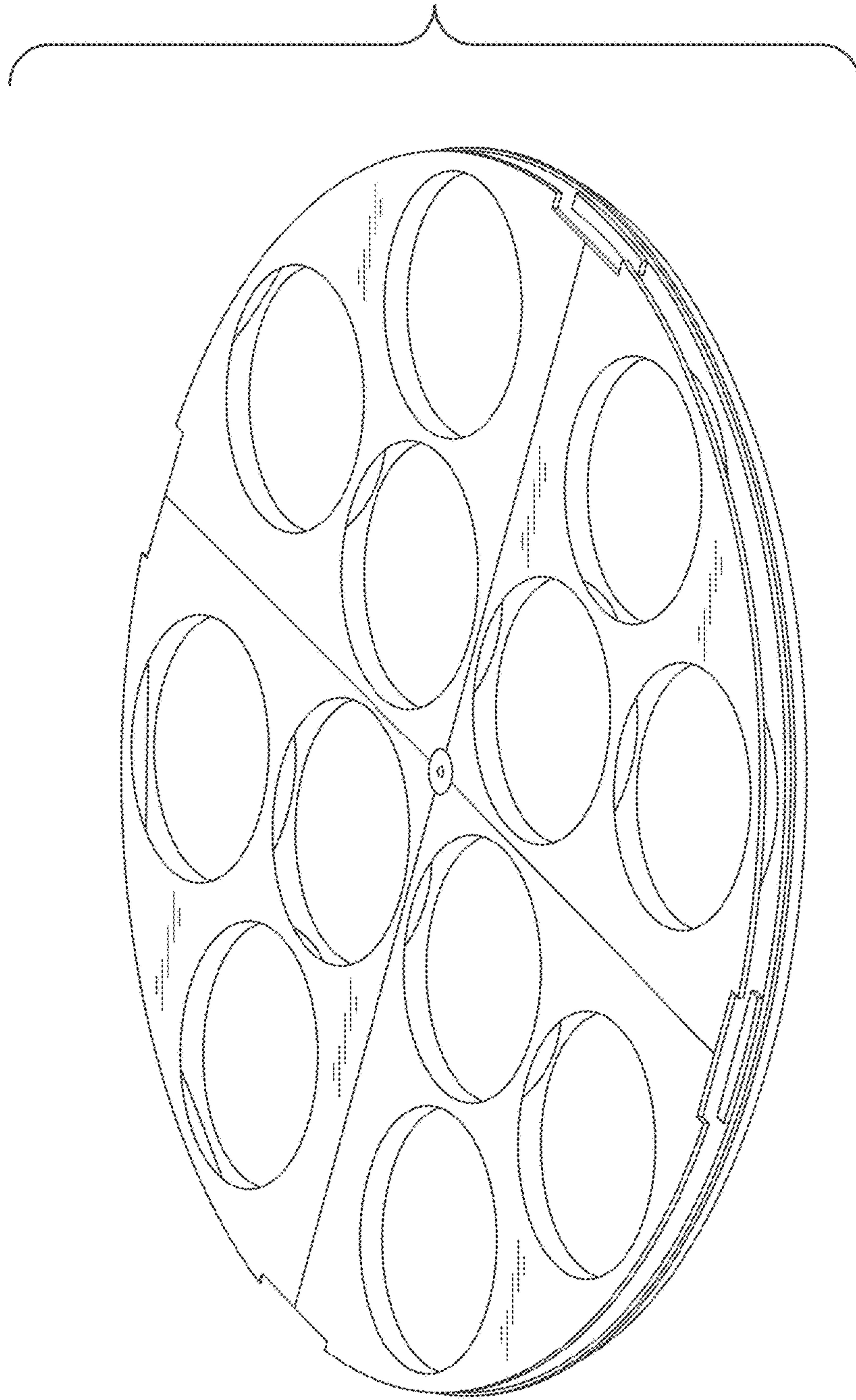


FIG. 5

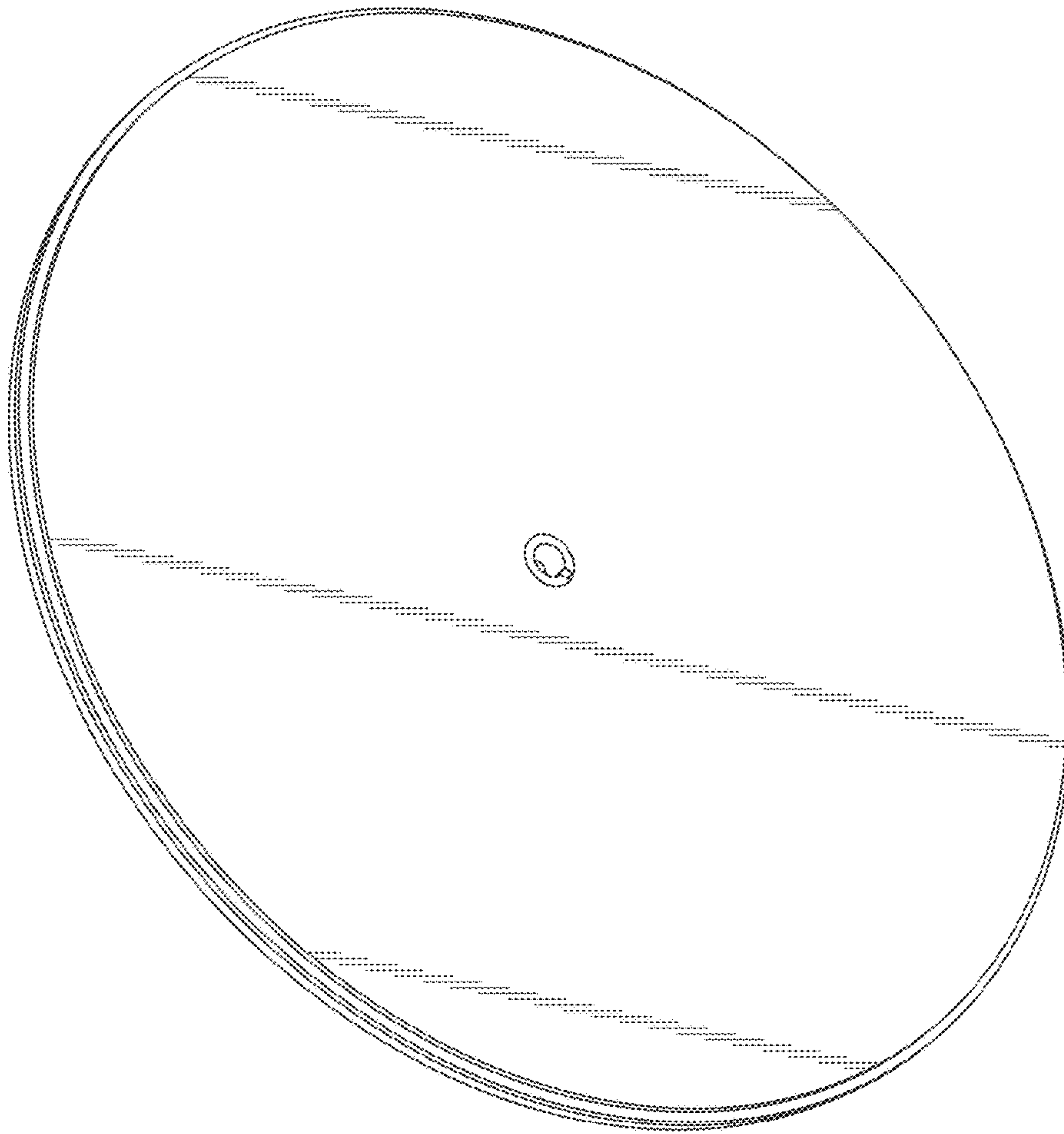


FIG. 6

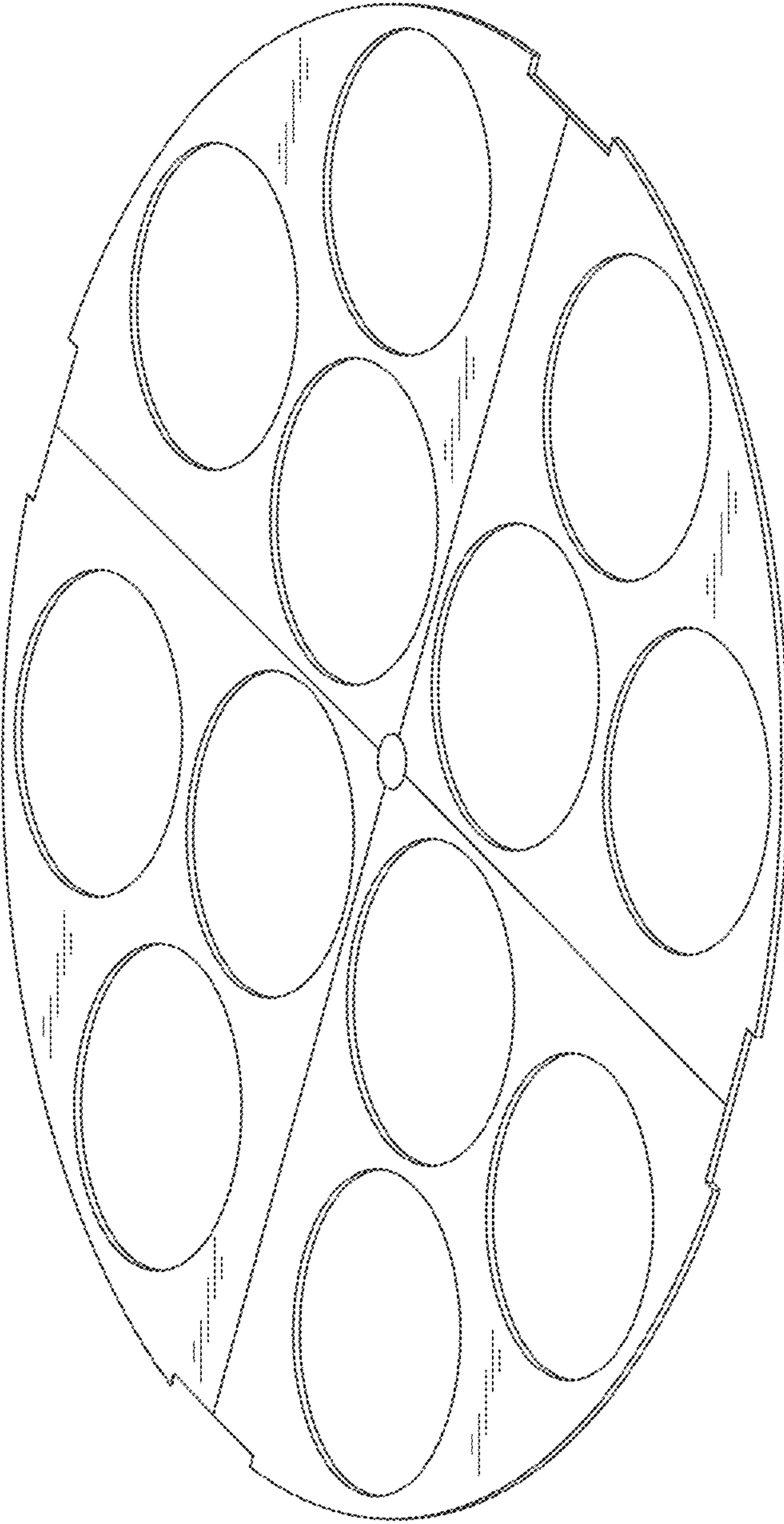


FIG. 7