



US00D858463S

(12) **United States Design Patent**
Nien et al.

(10) **Patent No.: US D858,463 S**

(45) **Date of Patent: ** Sep. 3, 2019**

(54) **REMOTE CONTROLLER**

(71) Applicant: **Nien Made Enterprise Co., Ltd.**,
Taichung (TW)

(72) Inventors: **Chao-Hung Nien**, Taichung (TW);
Jui-Pin Jao, Miaoli County (TW);
Yan-Liang Guo, Taipei (TW); **Tsu-Ya Huang**, Hsinchu (TW)

(73) Assignee: **Nien Made Enterprise Co., Ltd.**,
Taichung (TW)

(**) Term: **15 Years**

(21) Appl. No.: **29/655,980**

(22) Filed: **Jul. 9, 2018**

(51) **LOC (12) Cl.** **14-03**

(52) **U.S. Cl.**
USPC **D13/168**

(58) **Field of Classification Search**
USPC D13/162, 168; D14/140, 155, 216, 218,
D14/228, 240

CPC H03J 1/0025; H01H 9/0235; H04B 1/202;
G08C 17/00; G08C 17/02; G06F 1/1656;
E06B 9/32; E06B 2009/3222

See application file for complete search history.

(56) **References Cited**

U.S. PATENT DOCUMENTS

D526,973	S *	8/2006	Gates	D13/168
7,574,827	B2 *	8/2009	Huang	E06B 7/096 49/403
D602,915	S *	10/2009	Song	D14/218
D602,916	S *	10/2009	Won	D14/218
D627,306	S *	11/2010	Charleux	D13/168
D632,265	S *	2/2011	Choi	D13/168
RE42,686	E *	9/2011	Shimizu	D13/168
D700,904	S	3/2014	Miller		
D729,773	S	5/2015	Salojärvi		
D734,473	S	7/2015	Brandis		

D746,165	S *	12/2015	Li	D10/104.1
D749,666	S	2/2016	Ahdoot		
D784,259	S *	4/2017	Huang	D13/108
9,852,615	B2 *	12/2017	Perez	G08C 17/02
10,168,744	B2 *	1/2019	Kass	G06F 1/1656
2003/0122698	A1 *	7/2003	Horie	G06F 3/0231 341/176

(Continued)

OTHER PUBLICATIONS

Original Xiamomi Circular IR Remote Control; prior to Jul. 9, 2018; 1 pg.; https://www.google.com/search?q=circular+remote+controller&hl=en&biw=1536&bih=813&source=Int&tbs=cdr%3A1%2Ccd_min%3A%2Ccd_max%3A7%2F9%2F2018&tbm=isch#imgcl=L2yqnUivA9jPhM:&spf=1556806313783.*

(Continued)

Primary Examiner — Selina Sikder

(74) *Attorney, Agent, or Firm* — Winston Hsu

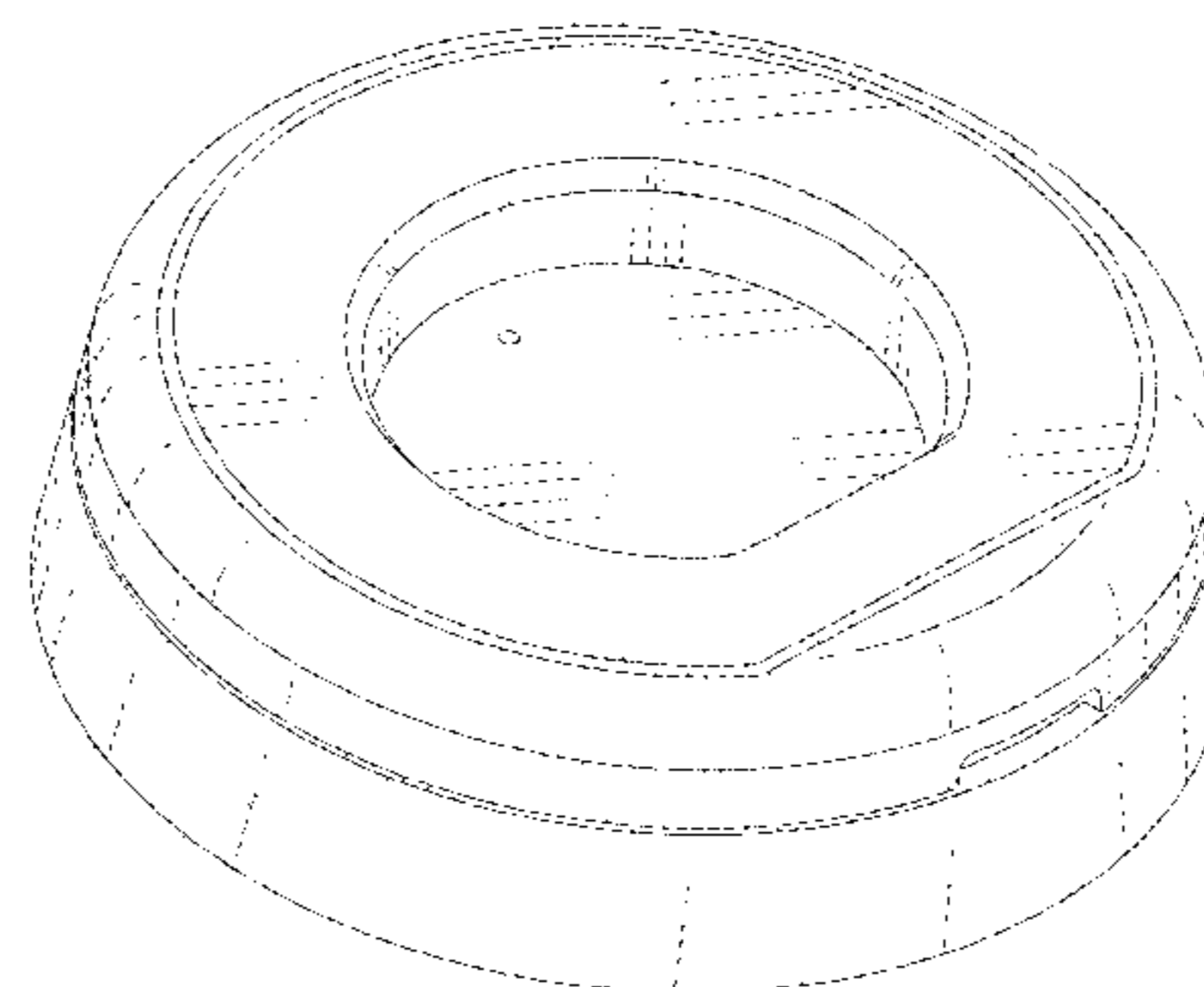
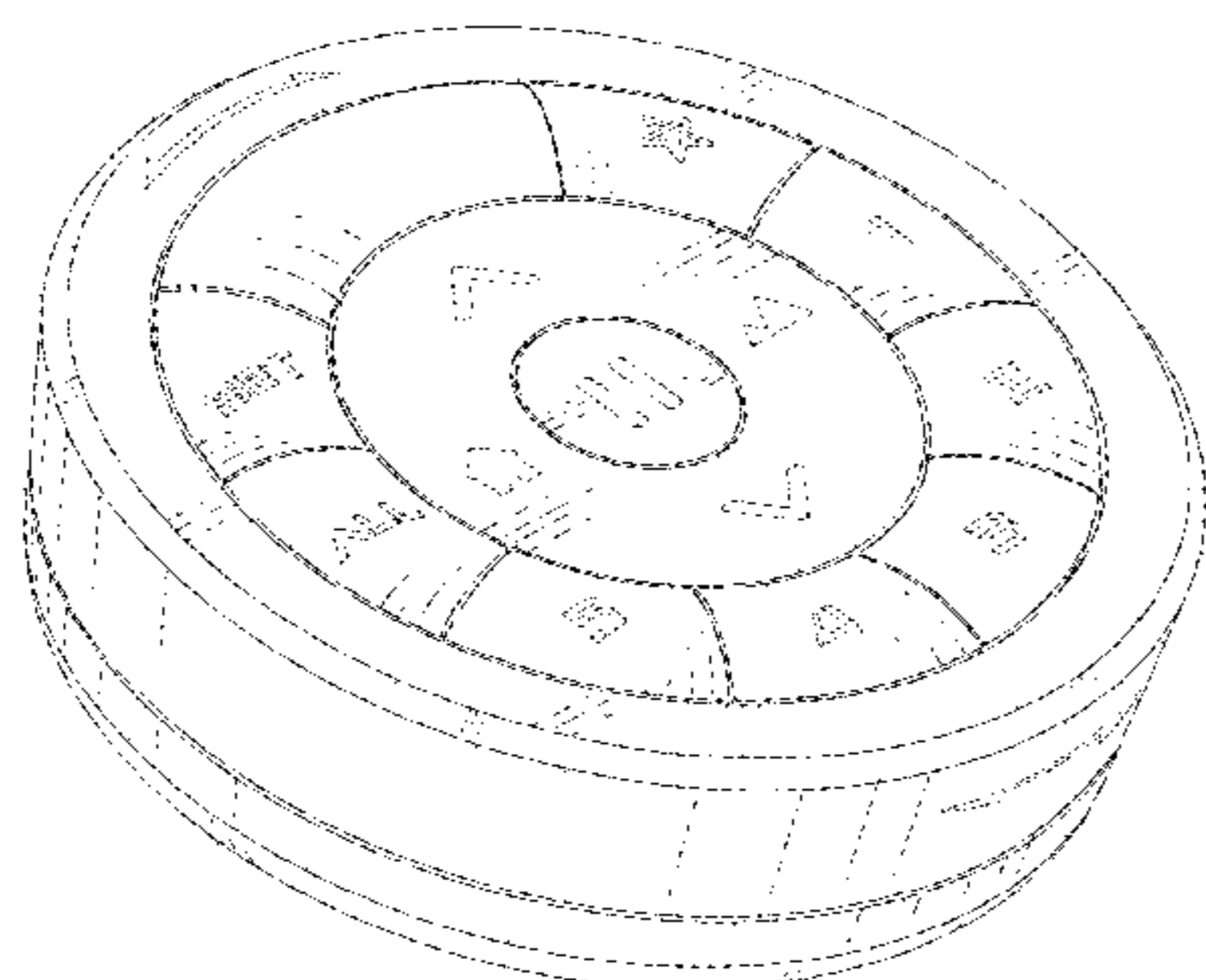
(57) **CLAIM**

The ornamental design for a remote controller, as shown and described.

DESCRIPTION

FIG. 1 is a bottom, front, and left side perspective view of a remote controller showing the new design; FIG. 2 is a top, rear, and right side perspective view thereof; FIG. 3 is a front view thereof; FIG. 4 is a rear view thereof; FIG. 5 is a left side view of the remote controller, wherein the right side view is a mirror thereof; FIG. 6 is a top side view thereof; FIG. 7 is a bottom side view thereof; and, FIG. 8 is a front, top, and right side perspective view thereof shown in an example environment. The broken lines depict the example environment and portions of the remote controller in which the design is embodied that from no part of the claimed design.

1 Claim, 8 Drawing Sheets



(56)

References Cited

U.S. PATENT DOCUMENTS

2009/0121905 A1* 5/2009 Griffin, Jr. G08C 17/02
341/35
2017/0260808 A1* 9/2017 Adams E06B 9/72

OTHER PUBLICATIONS

UFO Circular Touch Panel Remote Control, prior to Jul. 9, 2018; 1 pg.; https://www.google.com/search?q=circular+remote+controller&hl=en&biw=1536&bih=813&source=Int&tbs=cdr%3A1%2Ccd_min%3A%2Ccd_max%3A7%2F9%2F2018&tbm=isch#imgrc=kqhugEUSk5ErqM:&spf=1556806313786.*

Ikea Wireless Remote Control; prior to Jul. 9, 2018; 1 pg.; https://www.google.com/search?q=circular+remote+controller&hl=en&biw=1536&bih=813&source=Int&tbs=cdr%3A1%2Ccd_min%3A%2Ccd_max%3A7%2F9%2F2018&tbm=isch#imgrc=kchHq3IOCP-tkM:&spf=1556806313789.*

Bang & Olufsen essence remote; prior to Jul. 9, 2018; 1 pg.; https://www.google.com/search?q=circular+remote+controller&hl=en&biw=1536&bih=813&source=Int&tbs=cdr%3A1%2Ccd_min%3A%2Ccd_max%3A7%2F9%2F2018&tbm=isch#imgrc=q6s69kskgAxbdM:&spf=1556806313802.*

HunterDouglas PowerView Motorization Remote Control Guide; May 2015; 20 pgs.*

* cited by examiner

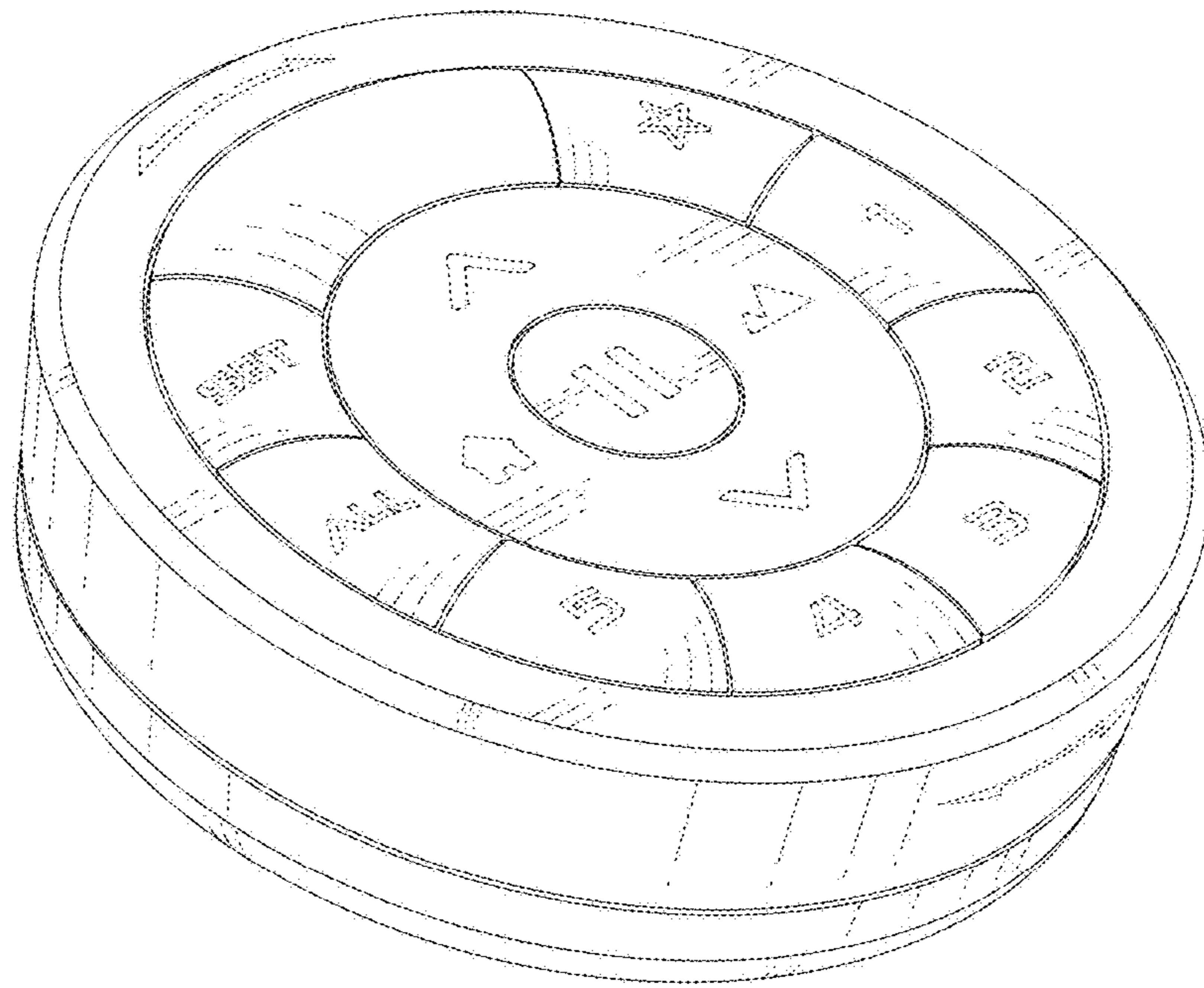


FIG. 1

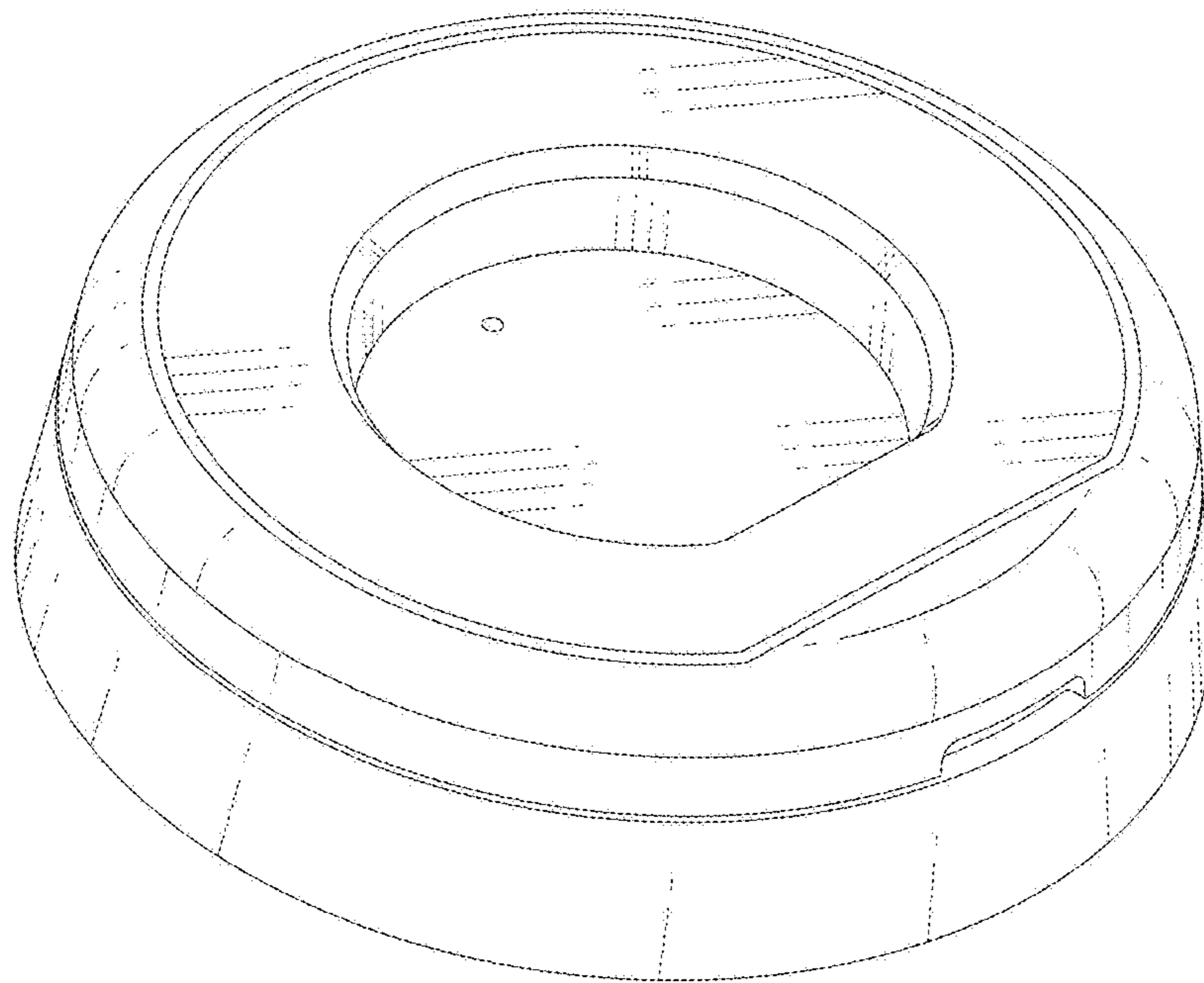


FIG. 2

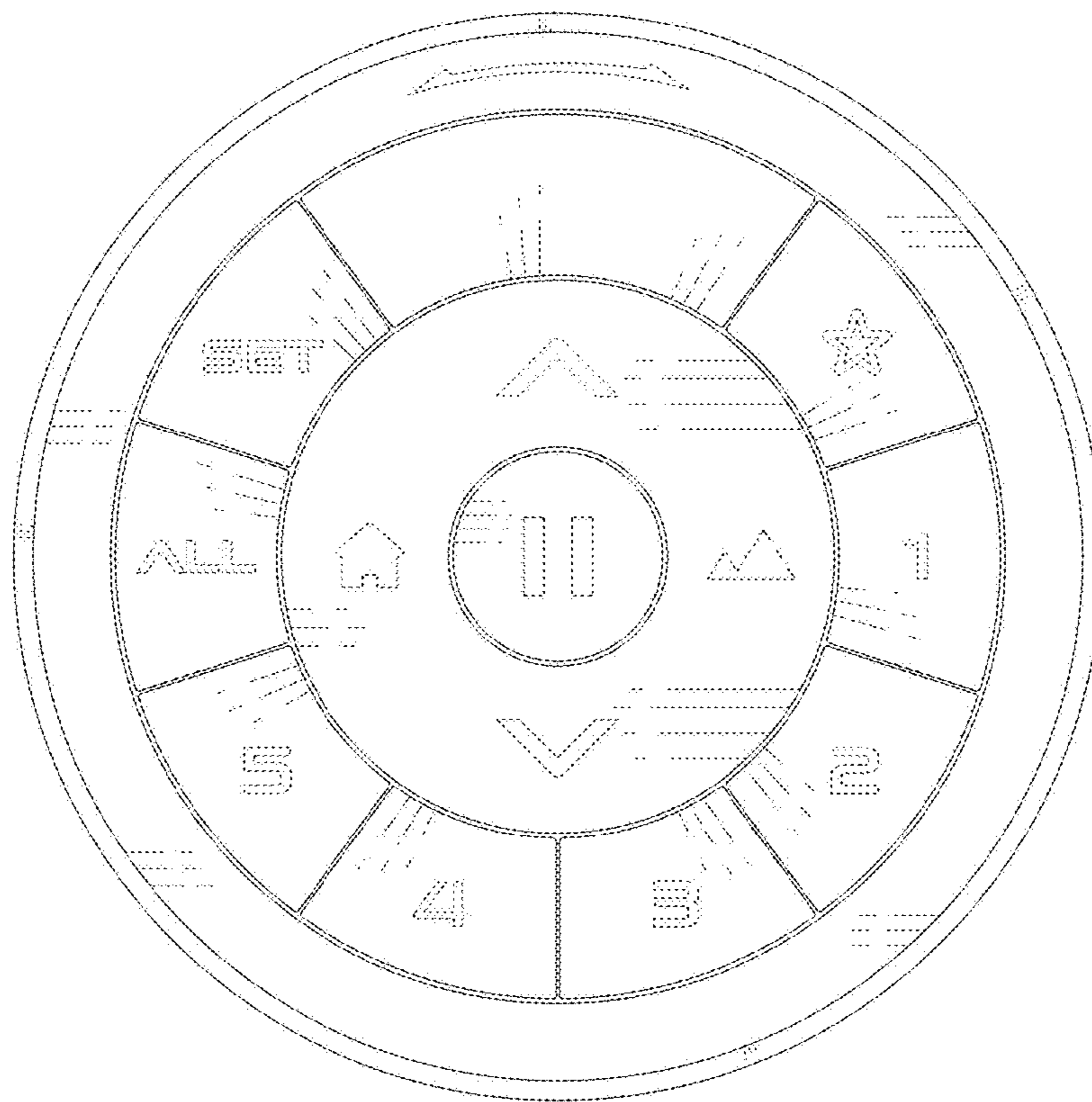


FIG. 3

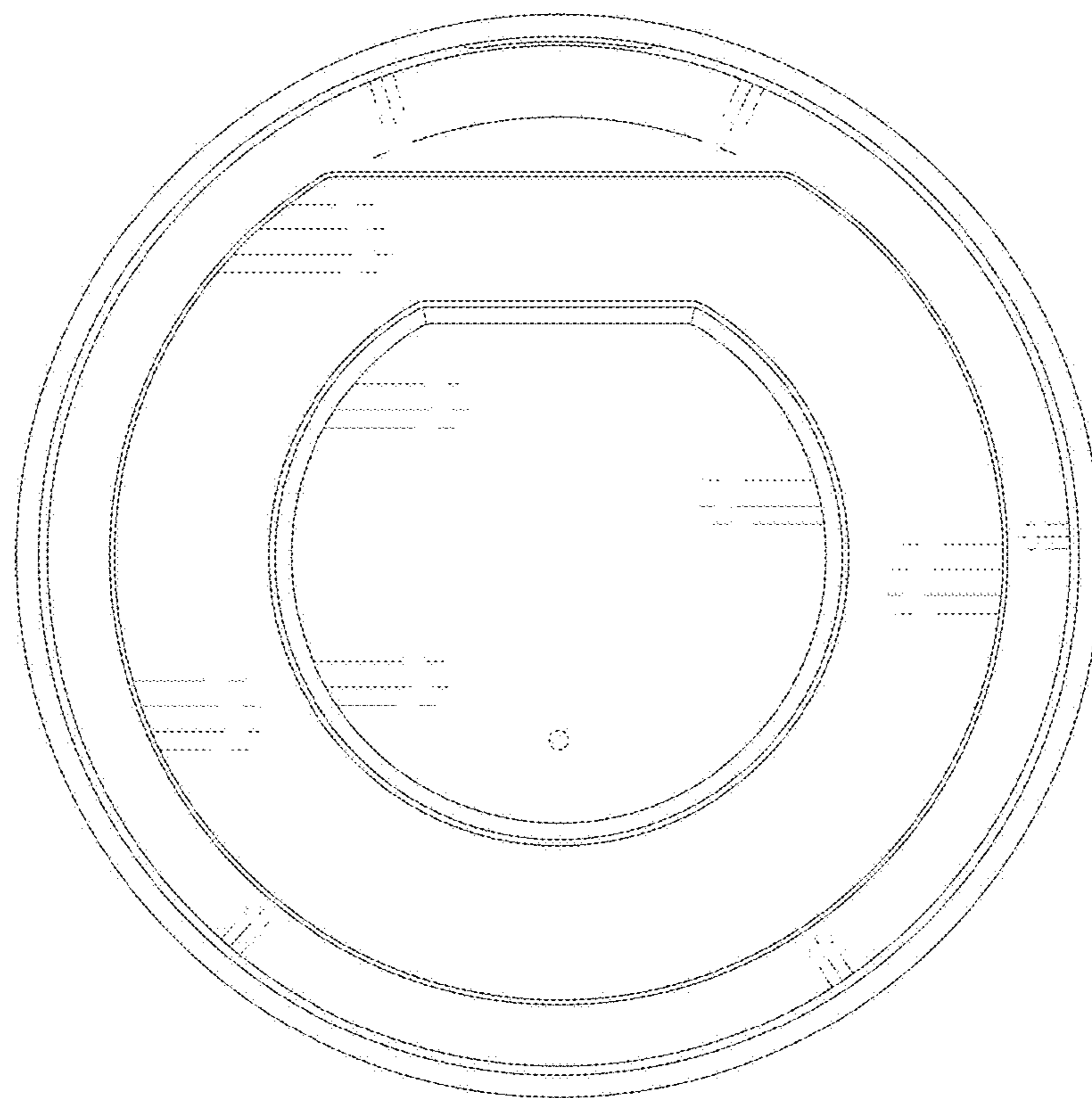


FIG. 4

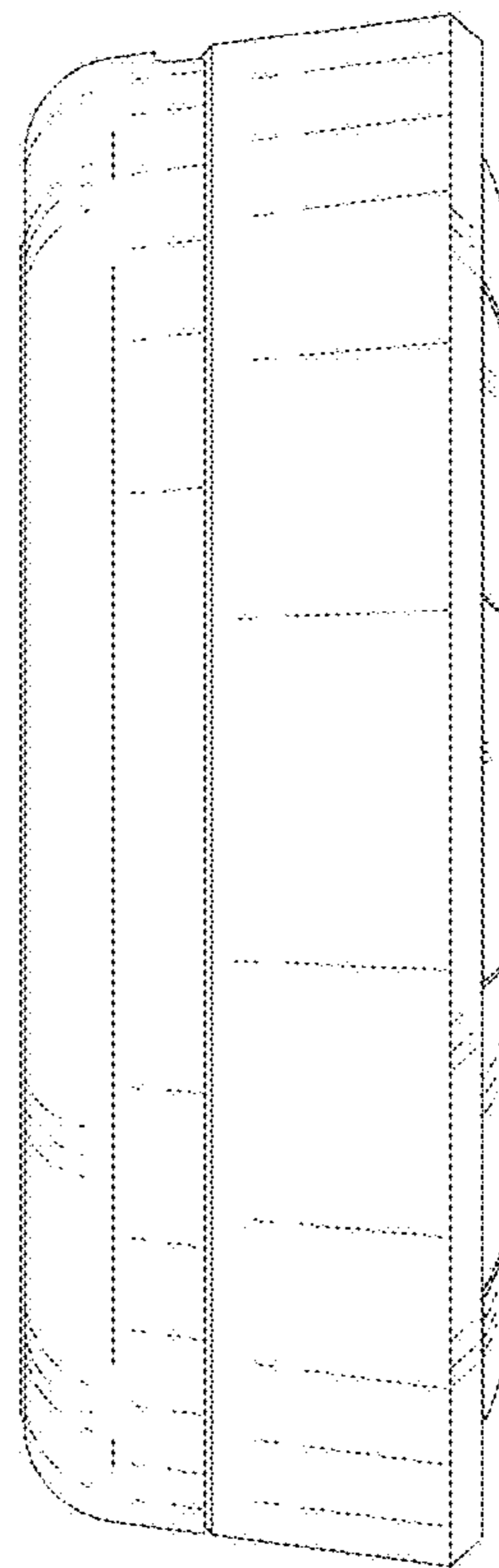


FIG. 5

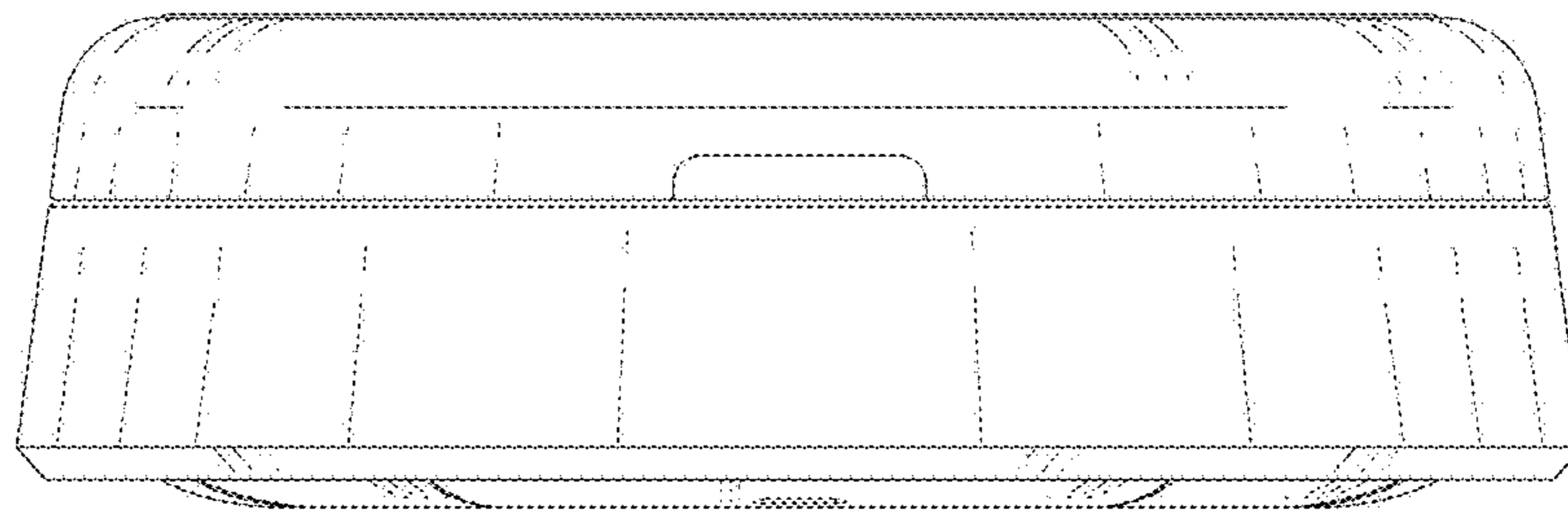


FIG. 6

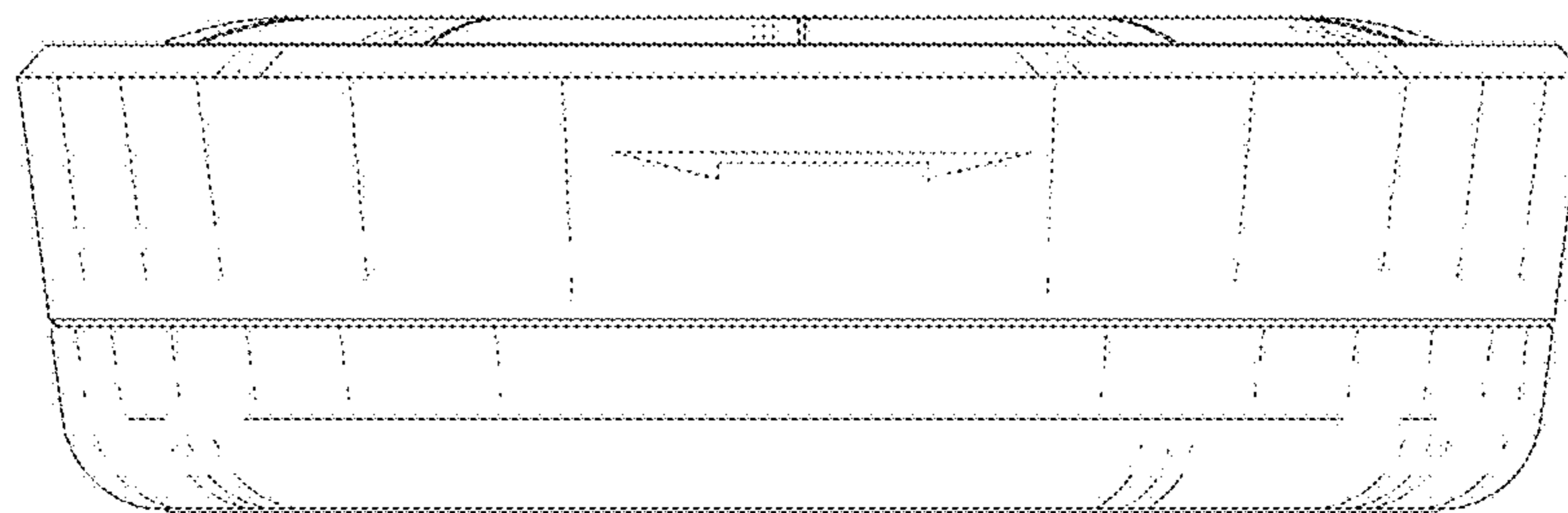


FIG. 7

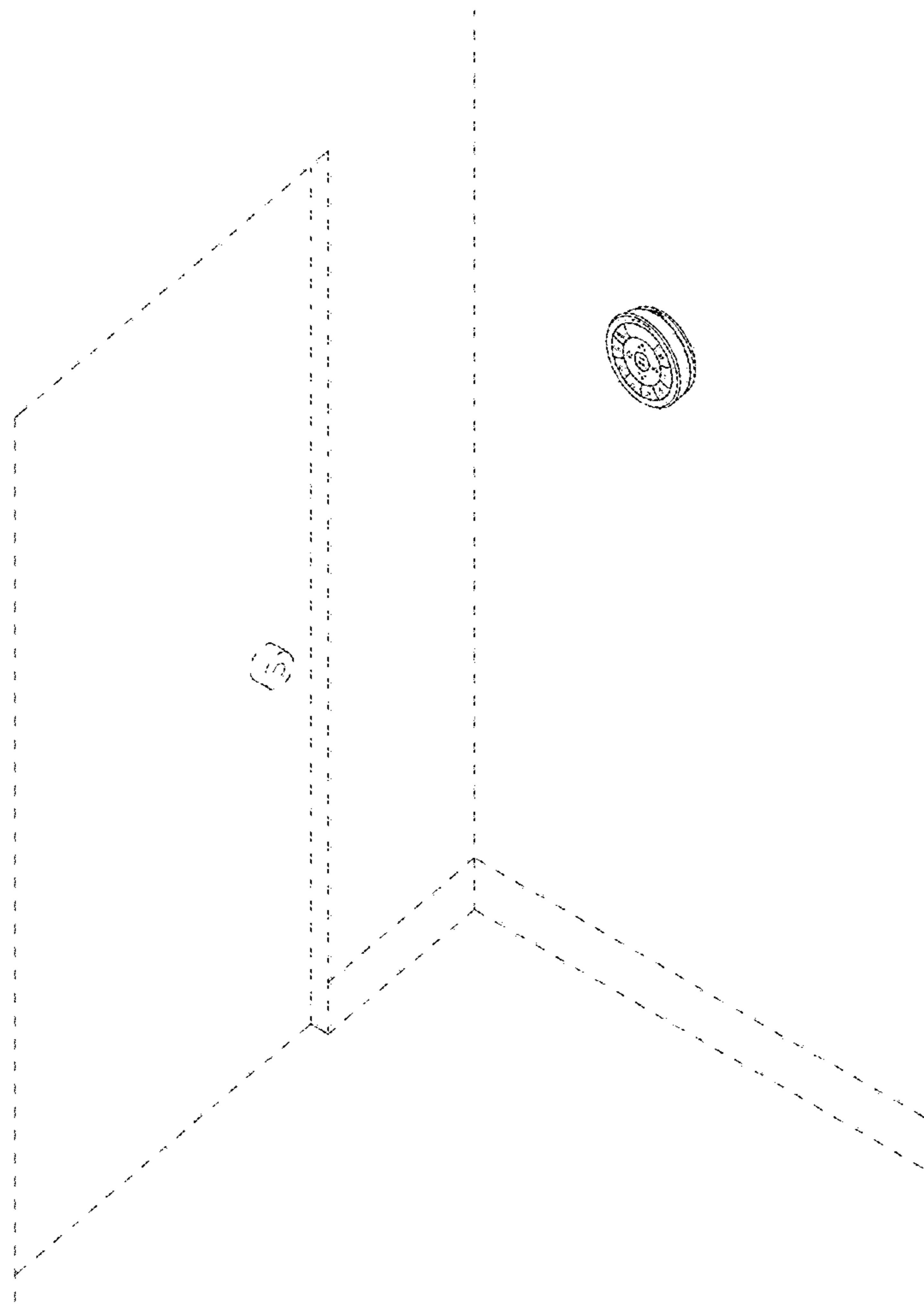


FIG. 8