



US00D858461S

(12) **United States Design Patent** (10) **Patent No.:** **US D858,461 S**
Jalbout (45) **Date of Patent:** **** Sep. 3, 2019**

- (54) **CONTROL BOARD**
- (71) Applicant: **3846580 Canada Inc.**, Montreal, Quebec (CA)
- (72) Inventor: **Sleiman Jalbout**, Montreal (CA)
- (73) Assignee: **3846580 Canada Inc.**, Montréal, Québec (CA)
- (**) Term: **15 Years**
- (21) Appl. No.: **29/621,209**
- (22) Filed: **Oct. 5, 2017**
- (51) **LOC (12) Cl.** **13-03**
- (52) **U.S. Cl.**
 USPC **D13/164**
- (58) **Field of Classification Search**
 USPC D13/162, 164, 177, 178
 CPC C25B 15/02; G05B 11/01; H02B 1/00;
 H02B 1/015; H02B 1/24; H02B 15/00;
 H02B 15/02; H02M 3/285; H02J 3/14
 See application file for complete search history.

(56) **References Cited**

U.S. PATENT DOCUMENTS

- 4,464,724 A * 8/1984 Gurr H02J 3/14
 307/35
- D296,776 S * 7/1988 Hansen D10/50
- D341,354 S * 11/1993 Holterman D13/162.1
- D342,683 S * 12/1993 Cohen D10/40
- D370,206 S * 5/1996 Marino D10/125
- D482,335 S * 11/2003 Chang D13/162
- D556,697 S * 12/2007 Zhou D13/164
- D611,007 S * 3/2010 Kangas D13/164
- D639,753 S * 6/2011 Saari D13/164
- D695,697 S * 12/2013 Saari D13/177
- 10,113,241 B2 * 10/2018 Kaiser C25B 1/06
- 2006/0158074 A1 * 7/2006 Kang H05K 5/02
 313/36

- 2010/0165550 A1 * 7/2010 Gatti H02B 1/056
 361/627
- 2016/0336721 A1 * 11/2016 Ricciuti H02B 1/38
- 2018/0052429 A1 * 2/2018 Ryan G05D 23/00

OTHER PUBLICATIONS

Hydro Power Plant Control Panel; prior to Oct. 5, 2017; 1 pg.;
https://www.google.com/search?q=control+panel+for++power+plant&hl=en&biw=1536&bih=813&source=Int&tbs=cdr%3A1%2Ccd_min%3A%2Ccd_max%3A10%2F5%2F2017&tbm=isch#imgdii=bxMtFKjKoZZKWM:&imgrc=c4MUrtpmVaPp6M:&spf=1557949734303.*

Power Plant Control panel; forums.tigsources.com; prior to Oct. 5, 2017; 1 pg.;
https://www.google.com/search?q=control+panel+for++power+plant&hl=en&biw=1536&bih=813&source=Int&tbs=cdr%3A1%2Ccd_min%3A%2Ccd_max%3A10%2F5%2F2017&tbm=isch#imgdii=nUYoGzY7H1WdMM:&imgrc=MBYaeaw03RfaM:&spf=1557949734307.*

* cited by examiner

Primary Examiner — Selina Sikder

(74) *Attorney, Agent, or Firm* — Damien Calvet

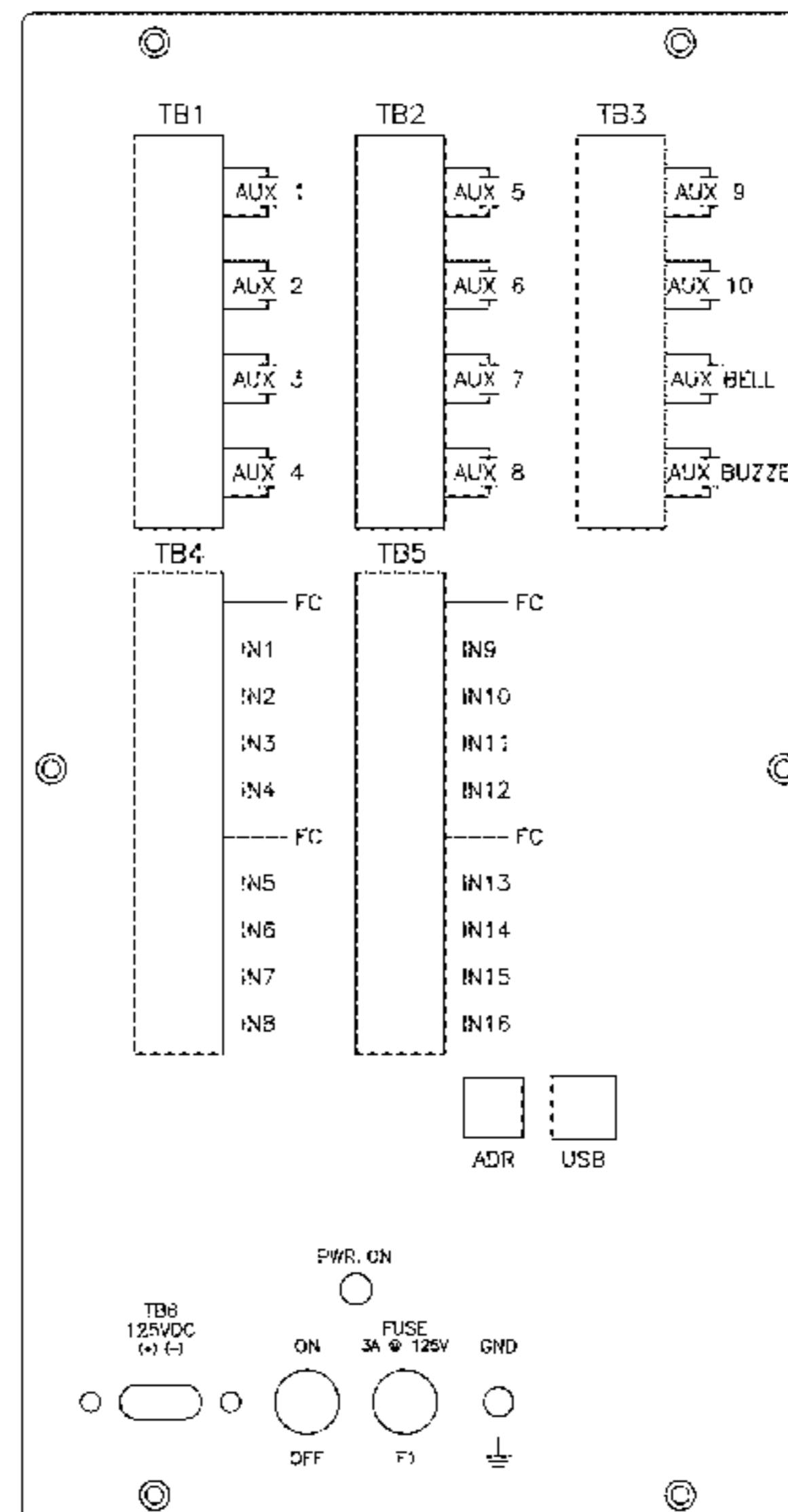
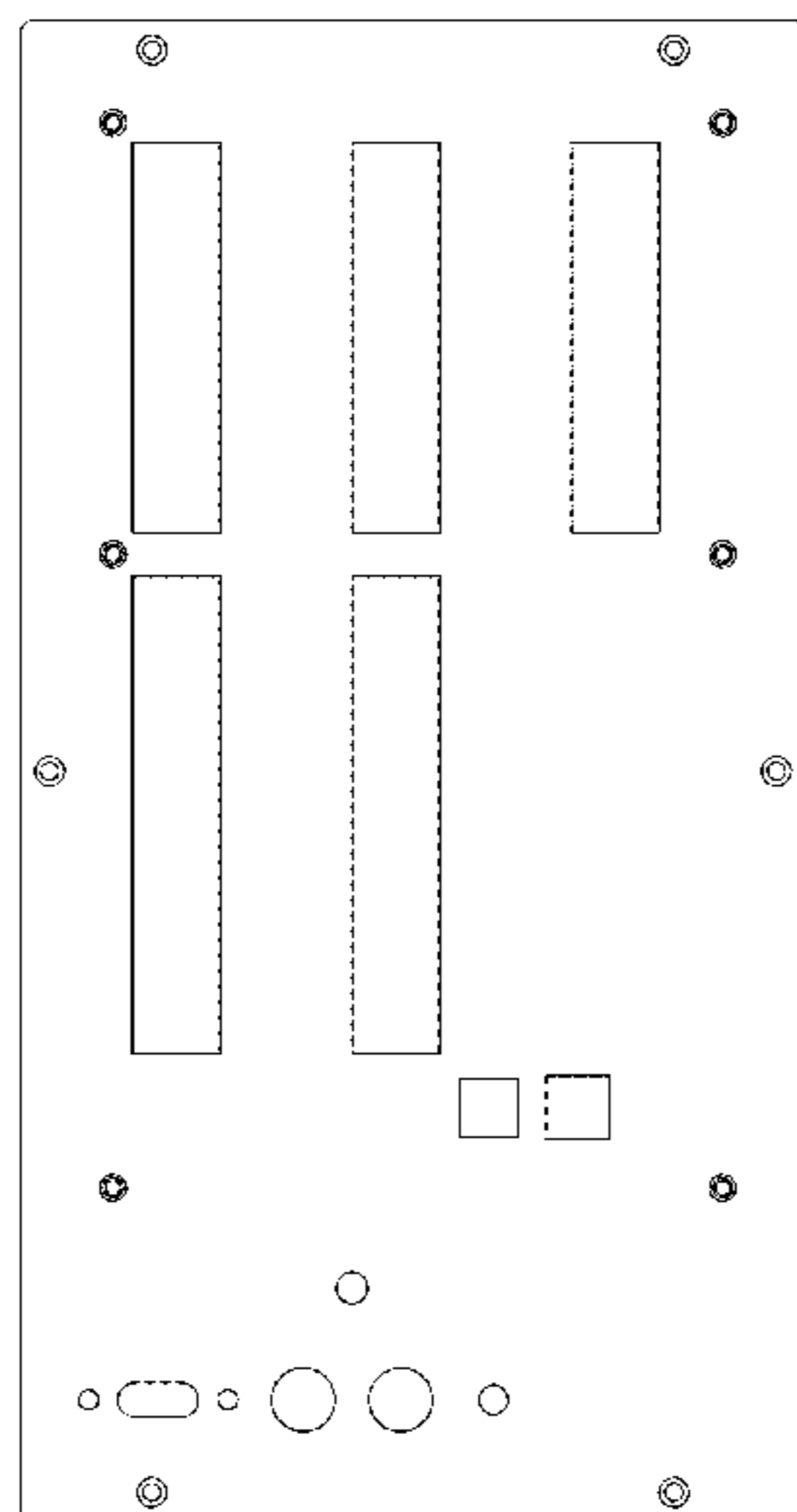
(57) **CLAIM**

The ornamental design for a control board, as shown.

DESCRIPTION

FIG. 1 is a front view of the control board;
 FIG. 2 is a right side view thereof, the left side view being identical;
 FIG. 3 is a first variant of the front view of the control board of FIG. 1; and,
 FIG. 4 is a second variant of the front view of the control board of FIG. 1.

1 Claim, 4 Drawing Sheets



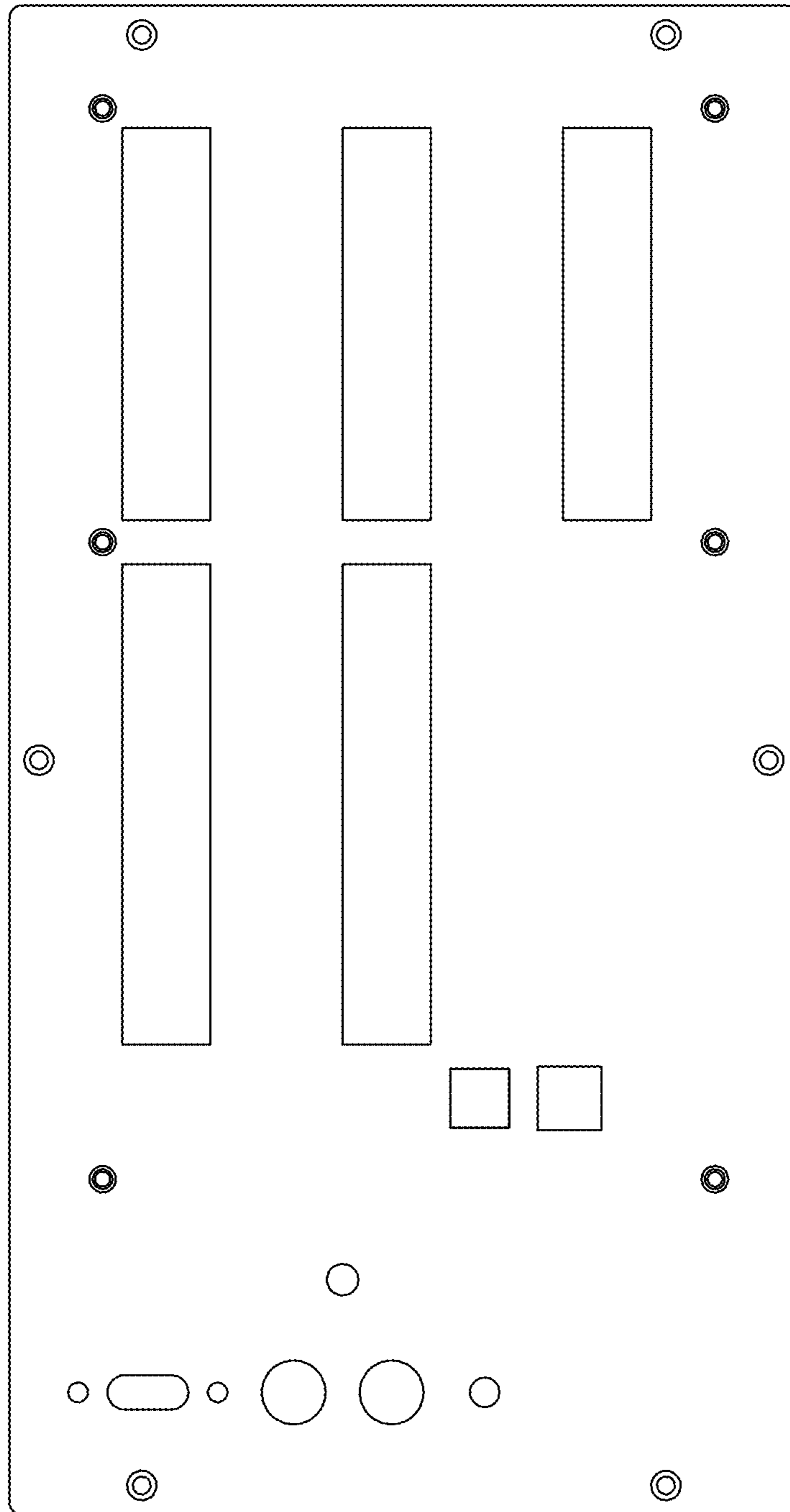


FIG. 1



FIG. 2

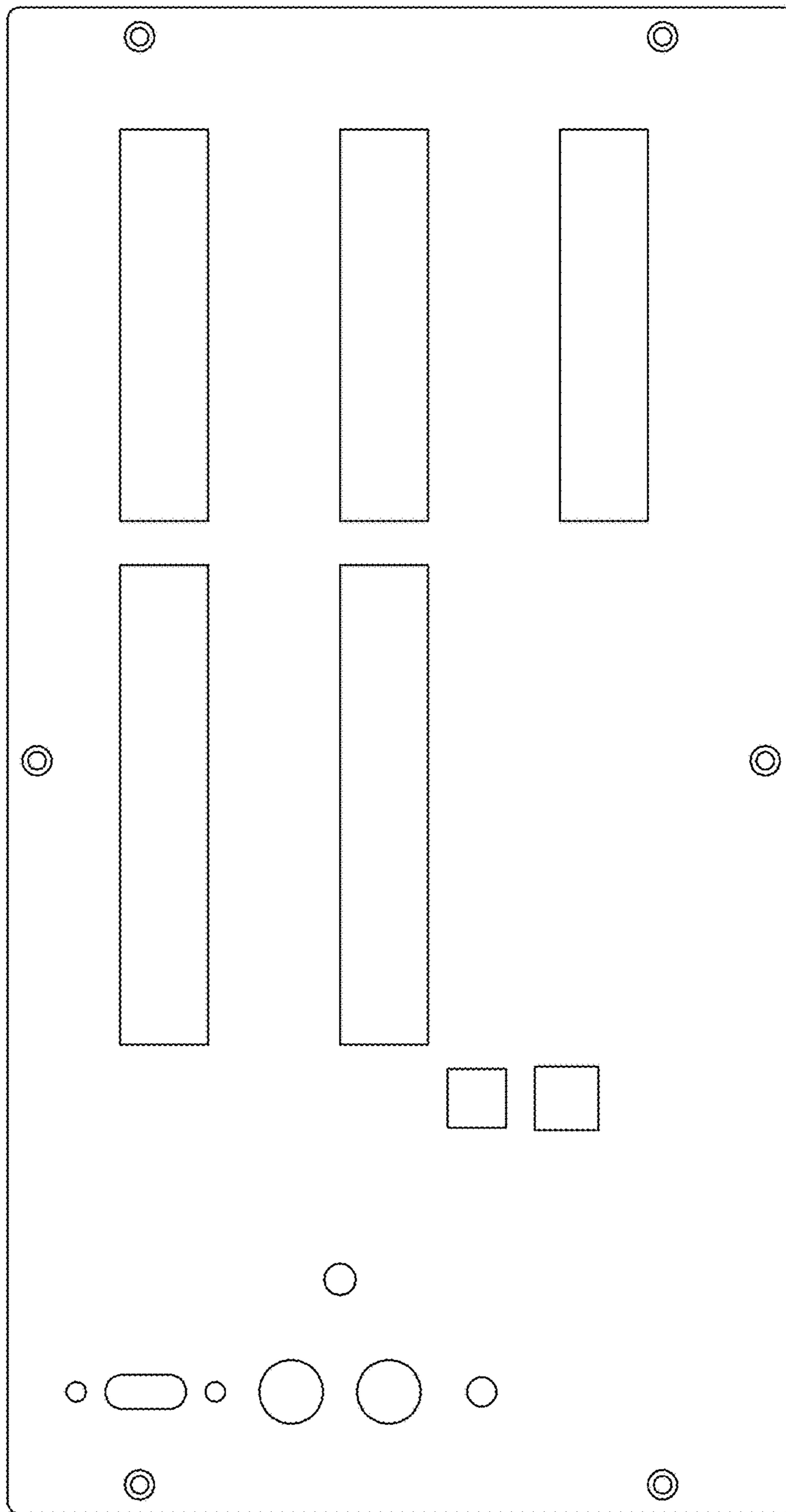


FIG. 3

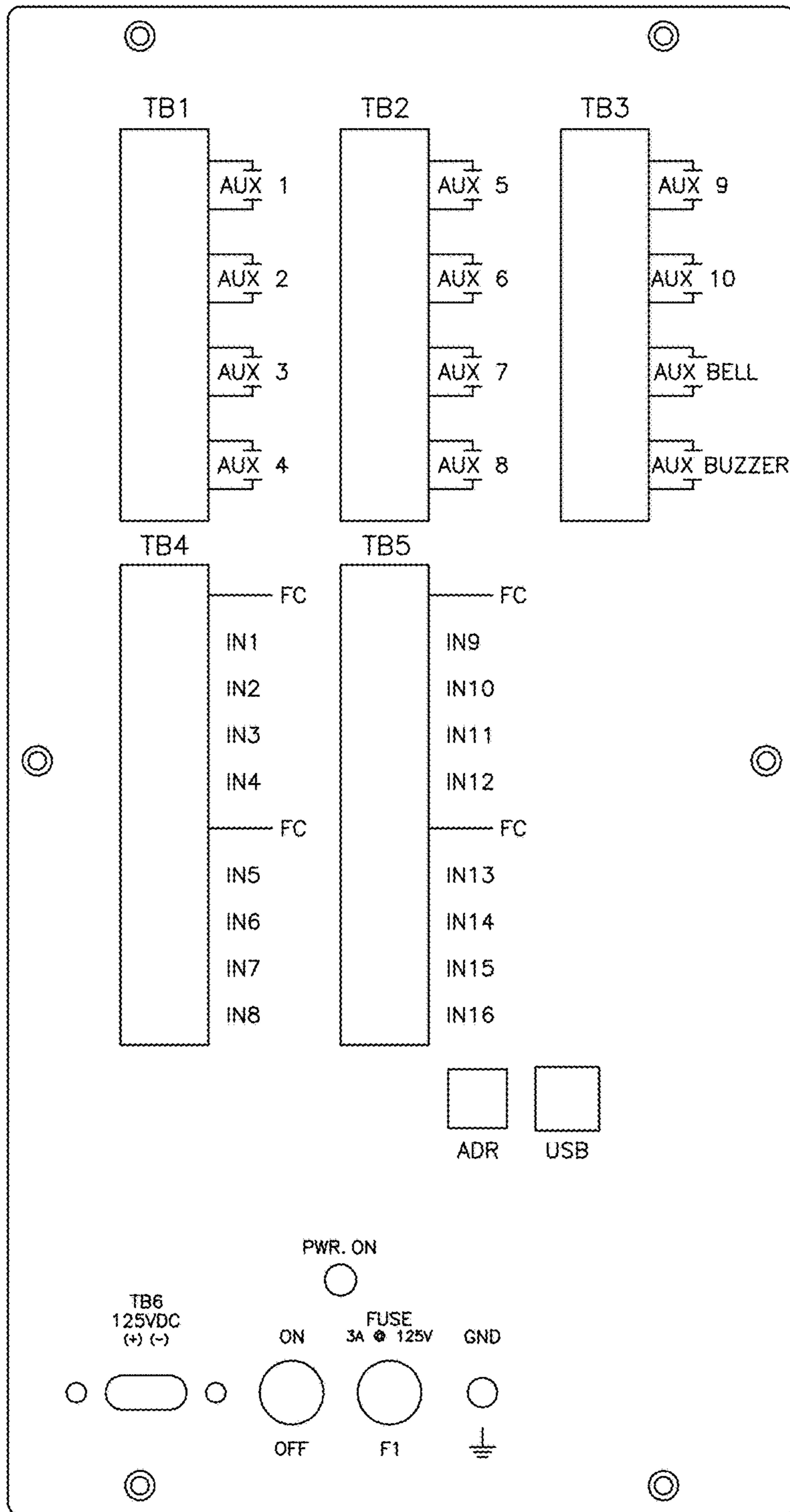


FIG. 4