



US00D858458S

(12) **United States Design Patent** (10) **Patent No.:** **US D858,458 S**
Tomczak et al. (45) **Date of Patent:** **** Sep. 3, 2019**

(54) **SWITCHING DEVICE** 5,936,214 A * 8/1999 Phillips H01H 9/282
 174/67
 (71) Applicant: **Siemens Aktiengesellschaft**, Munich 6,184,483 B1 * 2/2001 Coudert H01H 3/30
 (DE) 200/323
 D593,040 S * 5/2009 Frassinetti D13/160
 (72) Inventors: **Christoph Tomczak**, Erlangen (DE); D599,301 S * 9/2009 Azzola D13/160
Vincent Holger Weckert, Nuremberg D755,131 S * 5/2016 Azzola D13/160
 (DE) D781,790 S * 3/2017 Leveque D13/160
 D803,166 S * 11/2017 Azzola D13/160
 (73) Assignee: **Siemens Aktiengesellschaft**, Munich 2006/0118397 A1 * 6/2006 Dahl H02B 11/133
 (DE) 200/50.01
 2009/0014292 A1 * 1/2009 Lyu H02B 11/133
 200/50.26
 (**) Term: **15 Years** 2016/0217950 A1 * 7/2016 Bresciani H01H 33/10

(21) Appl. No.: **29/634,246**

(22) Filed: **Jan. 19, 2018**

(30) **Foreign Application Priority Data**

Aug. 22, 2017 (EP) 004158061

(51) **LOC (12) Cl.** **13-03**

(52) **U.S. Cl.**
USPC **D13/158**

(58) **Field of Classification Search**

USPC D13/107, 112, 118, 123, 158-162, 173,
D13/174, 184, 199

CPC .. H01H 1/06; H01H 1/20; H01H 3/32; H01H
5/00; H01H 9/00; H01H 9/02; H01H
9/20; H01H 9/26; H01H 9/28; H01H
21/04; H01H 21/22; H01H 33/00; H01H
33/02; H01H 33/08; H01H 33/10; H01H
33/18; H01H 33/48; H01H 33/66; H01H
33/70; H01H 36/00; H01H 47/00; H01H
50/14; H01H 50/16; H01H 50/44

See application file for complete search history.

(56) **References Cited**

U.S. PATENT DOCUMENTS

5,822,168 A * 10/1998 Boudet H01H 71/123
361/187
D402,267 S * 12/1998 M'Sadoques D13/160

* cited by examiner

Primary Examiner — Angela J Lee

Assistant Examiner — Shawn T Gingrich

(74) *Attorney, Agent, or Firm* — Cozen O'Connor

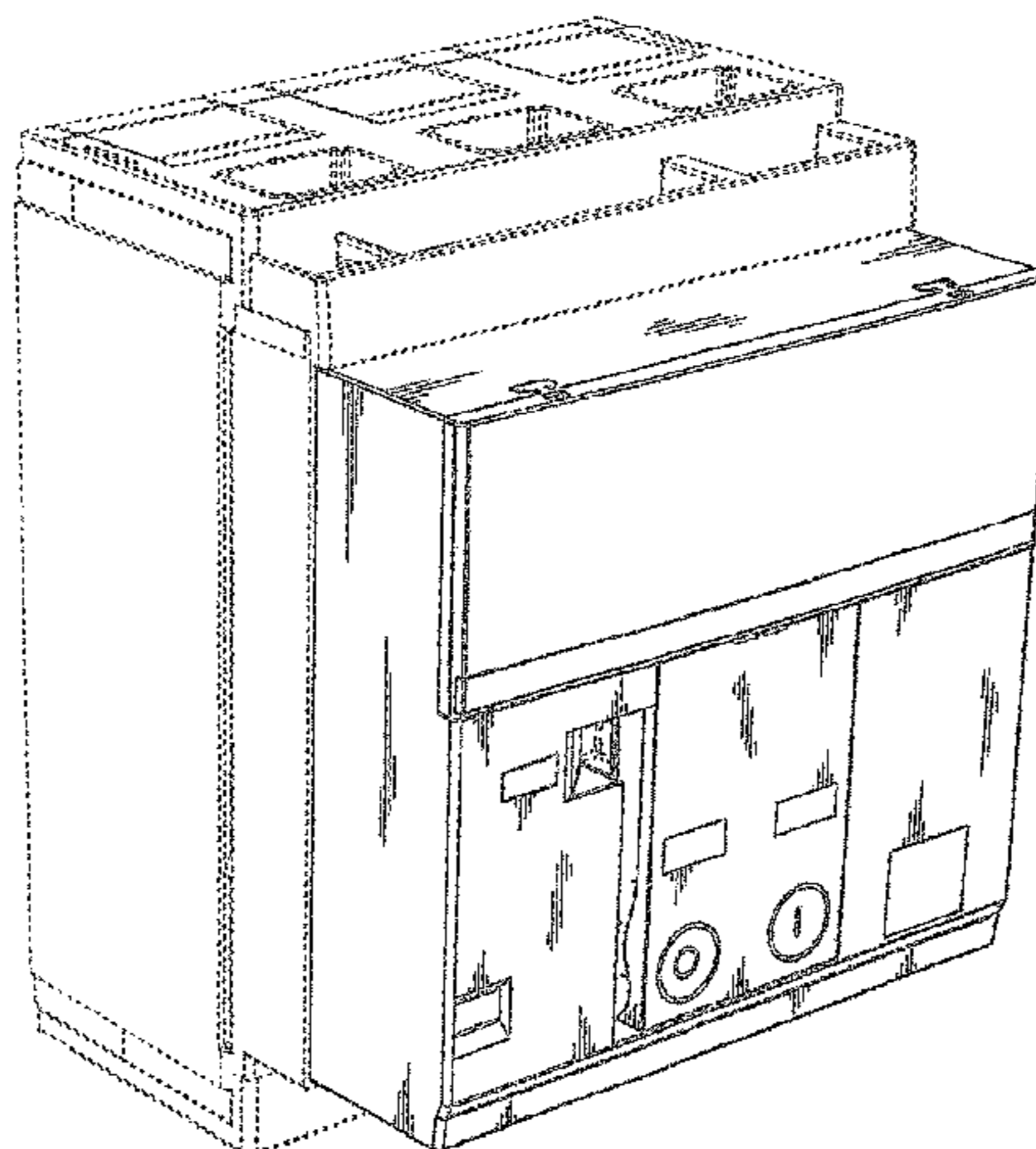
(57) **CLAIM**

The ornamental design for a switching device, as shown and described.

DESCRIPTION

FIG. 1 is a front elevational view of a switching device showing our new design;
 FIG. 2 is a rear elevational view thereof;
 FIG. 3 is a top plan view thereof;
 FIG. 4 is a bottom plan view thereof;
 FIG. 5 is a right-side elevation view thereof;
 FIG. 6 is left-side elevation view thereof; and,
 FIG. 7 is a front, top and left-side perspective view thereof.
 The broken line portions of the drawing figures are included to show subject matter that form no part of the claimed design.

1 Claim, 7 Drawing Sheets



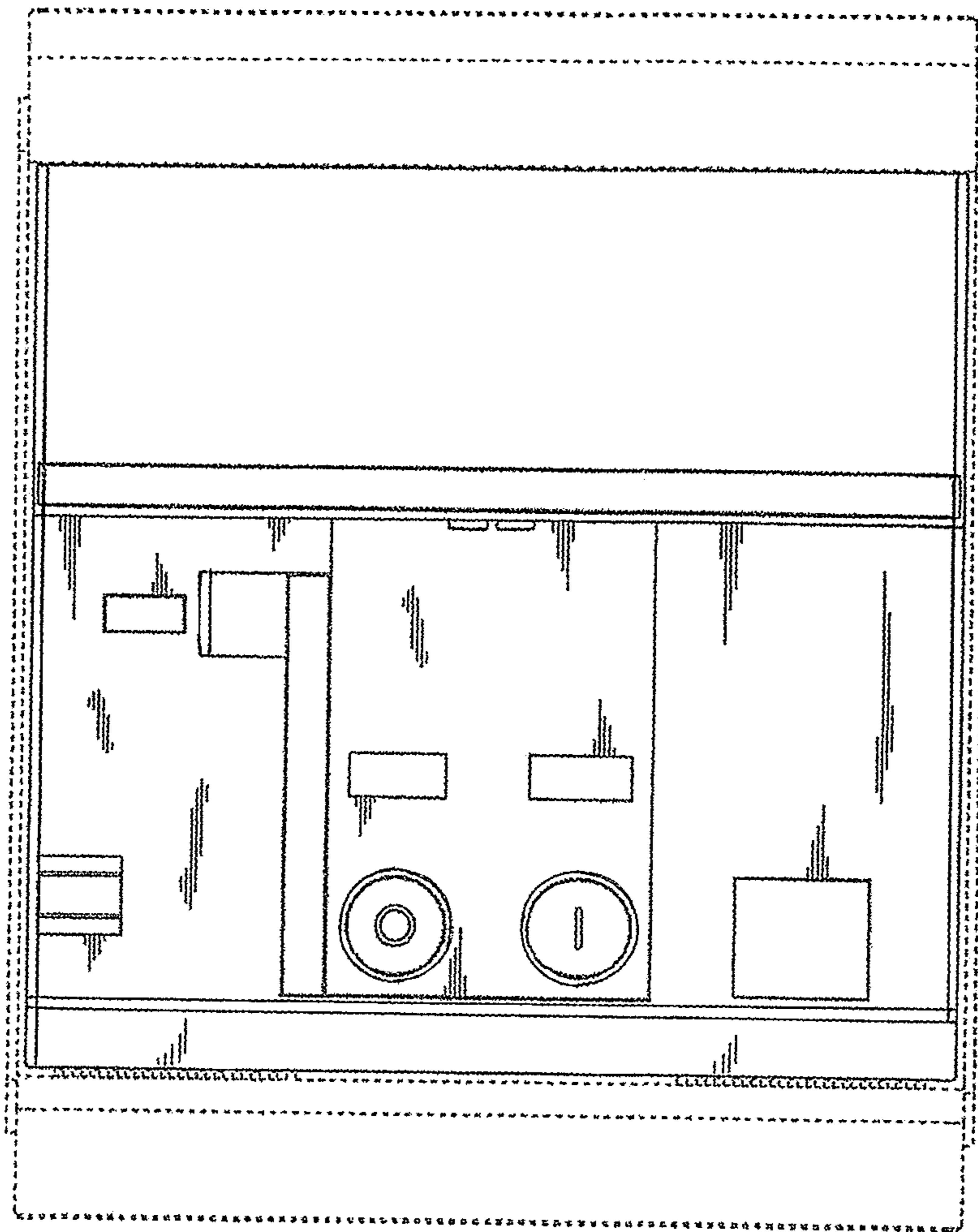


FIG. 1

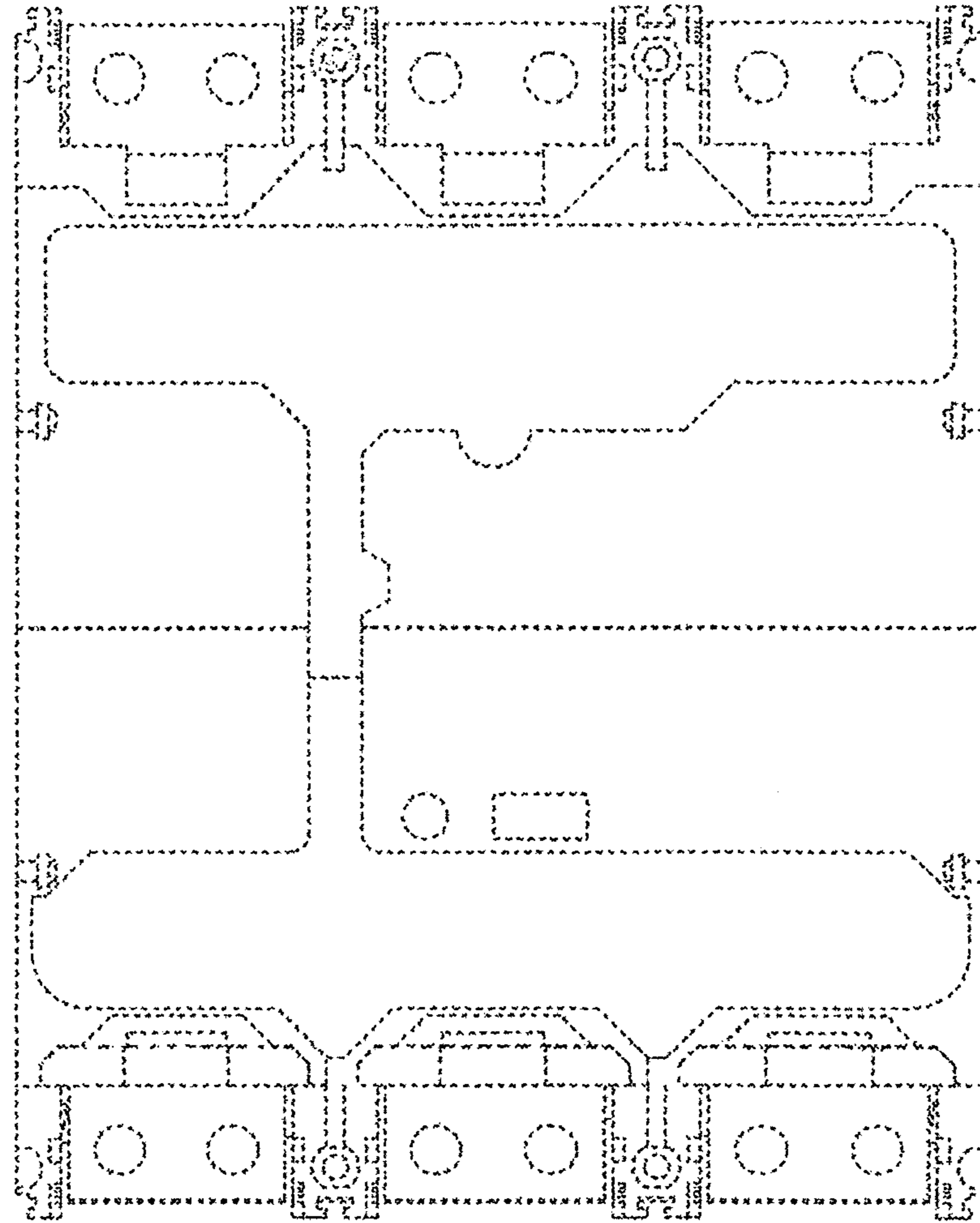


FIG. 2

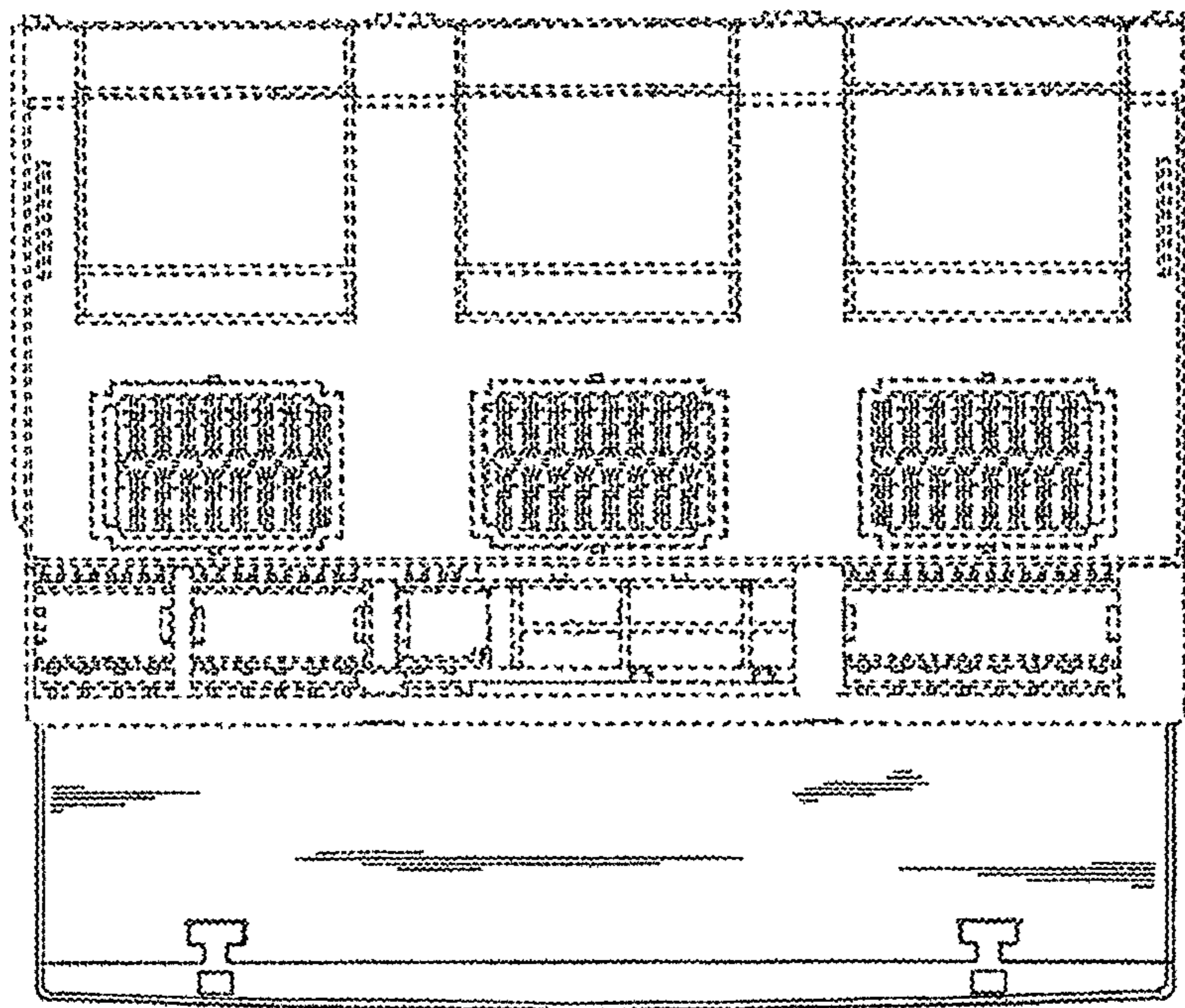


FIG. 3

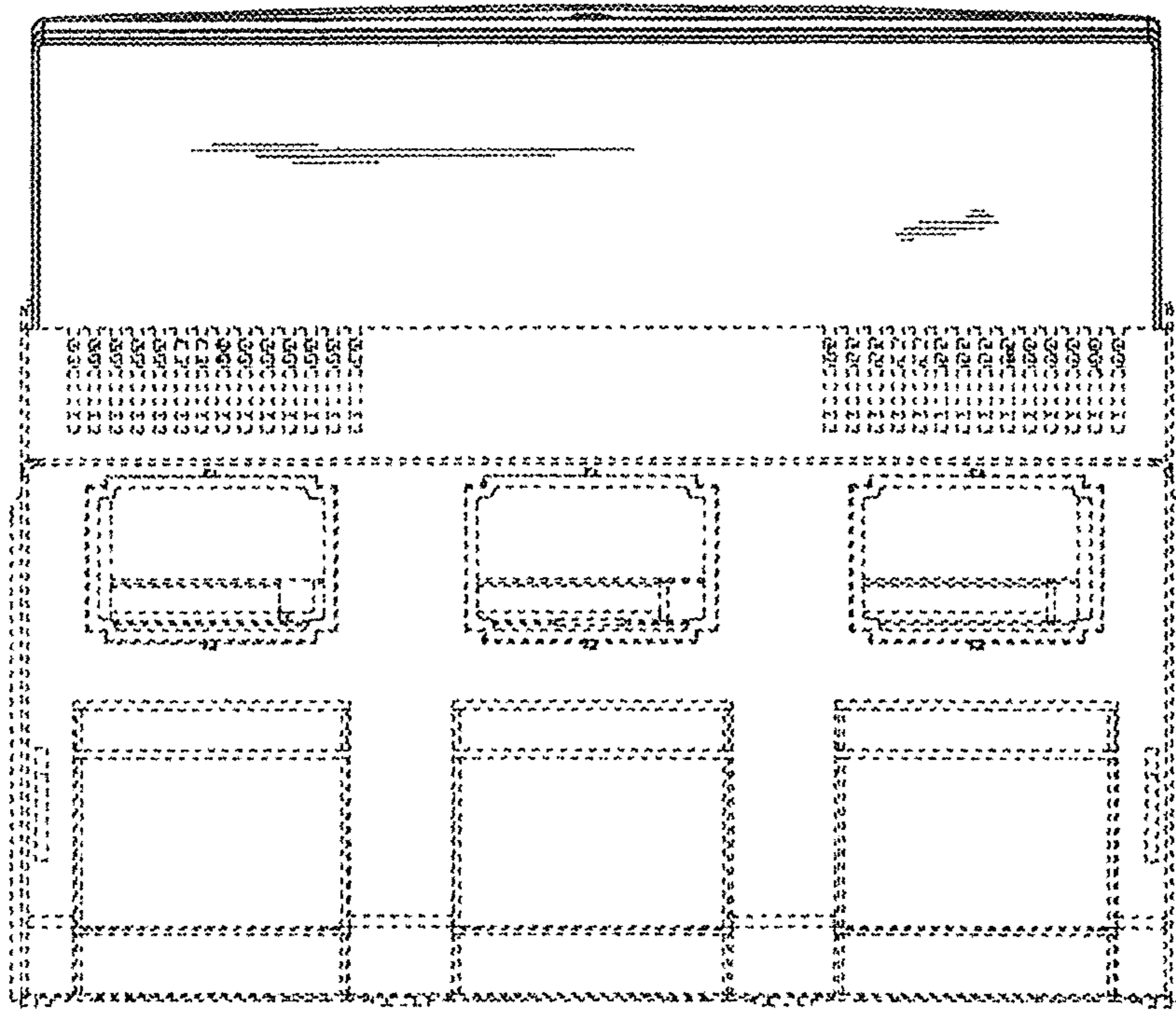


FIG. 4

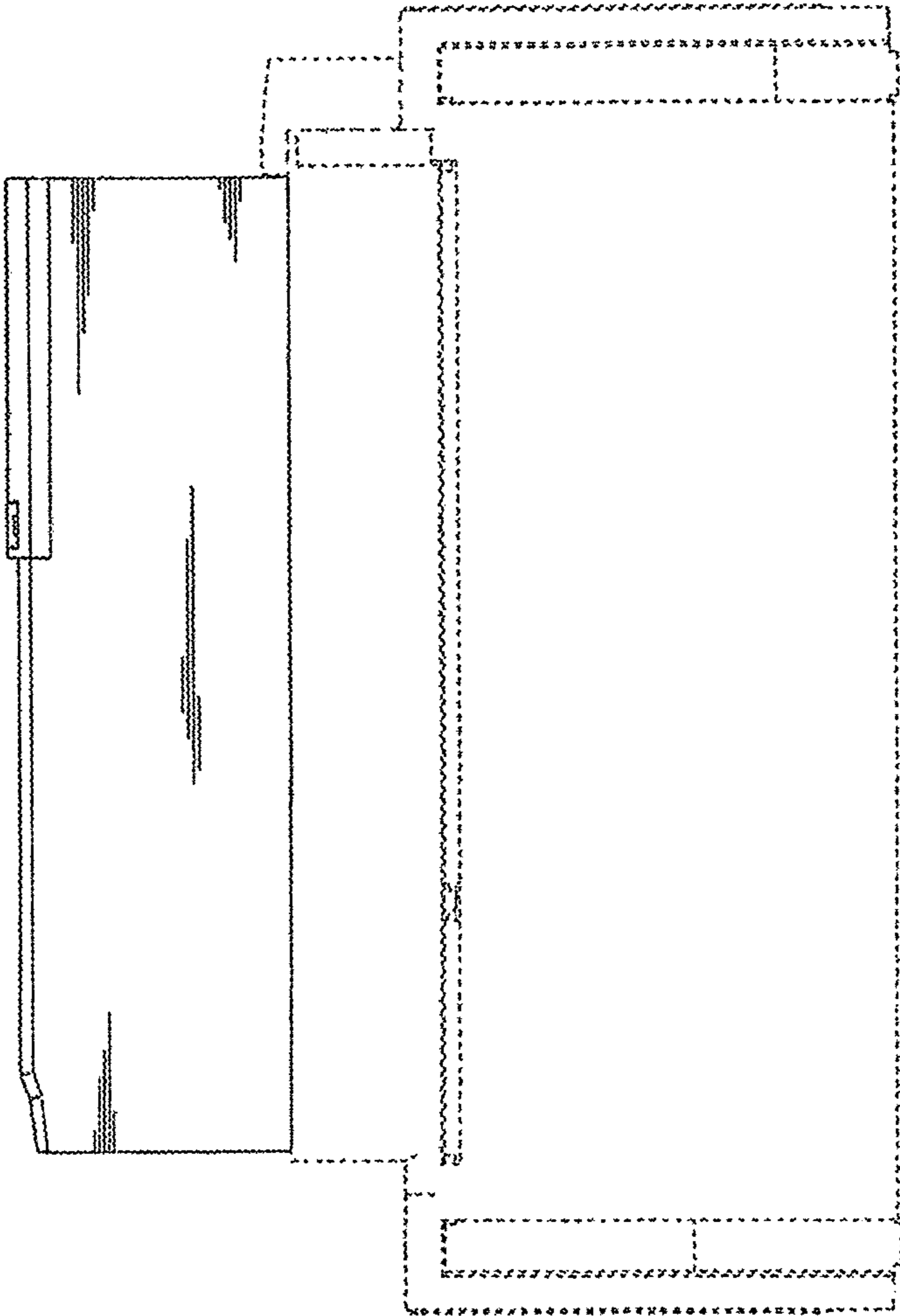


FIG. 5

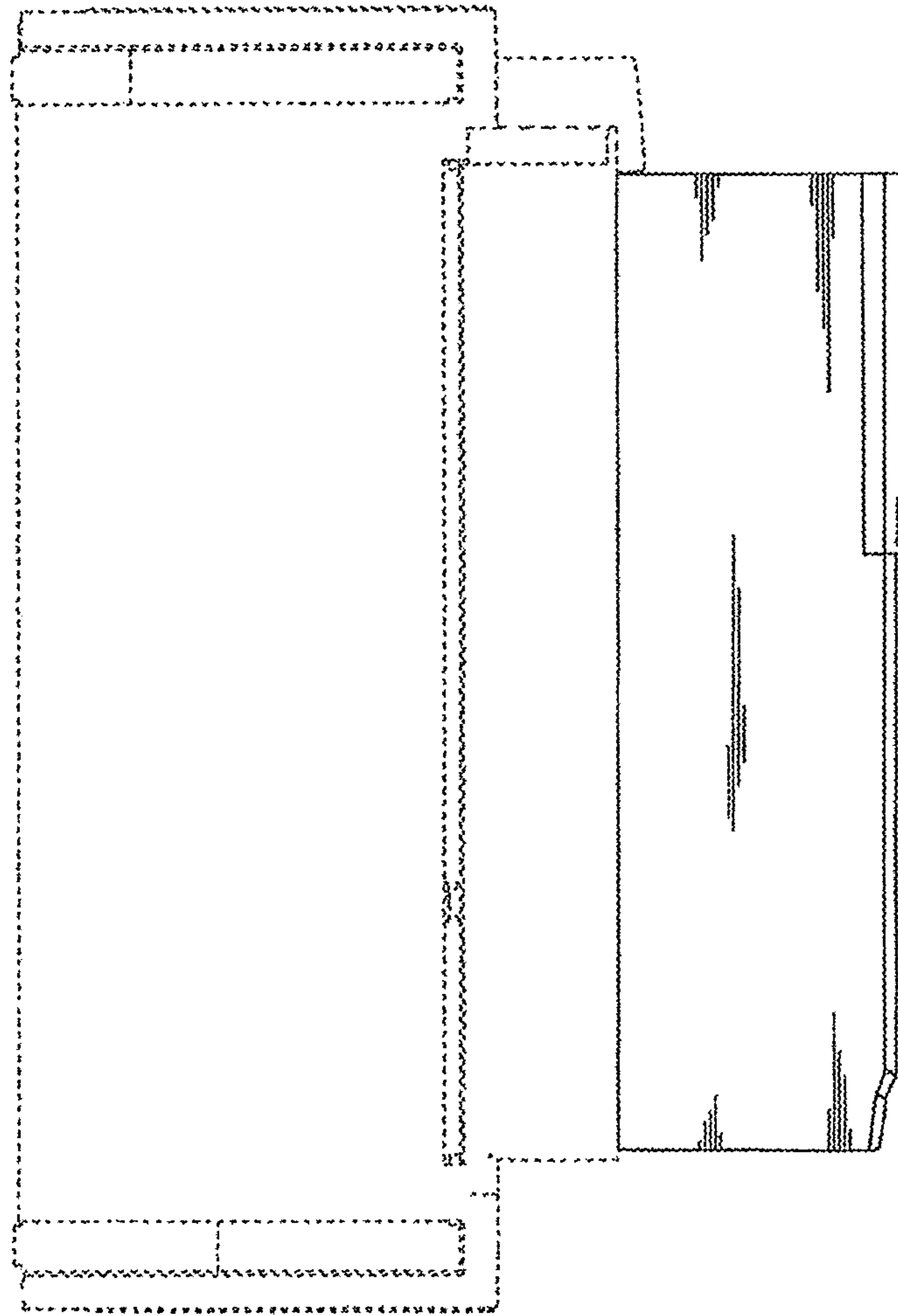


FIG. 6

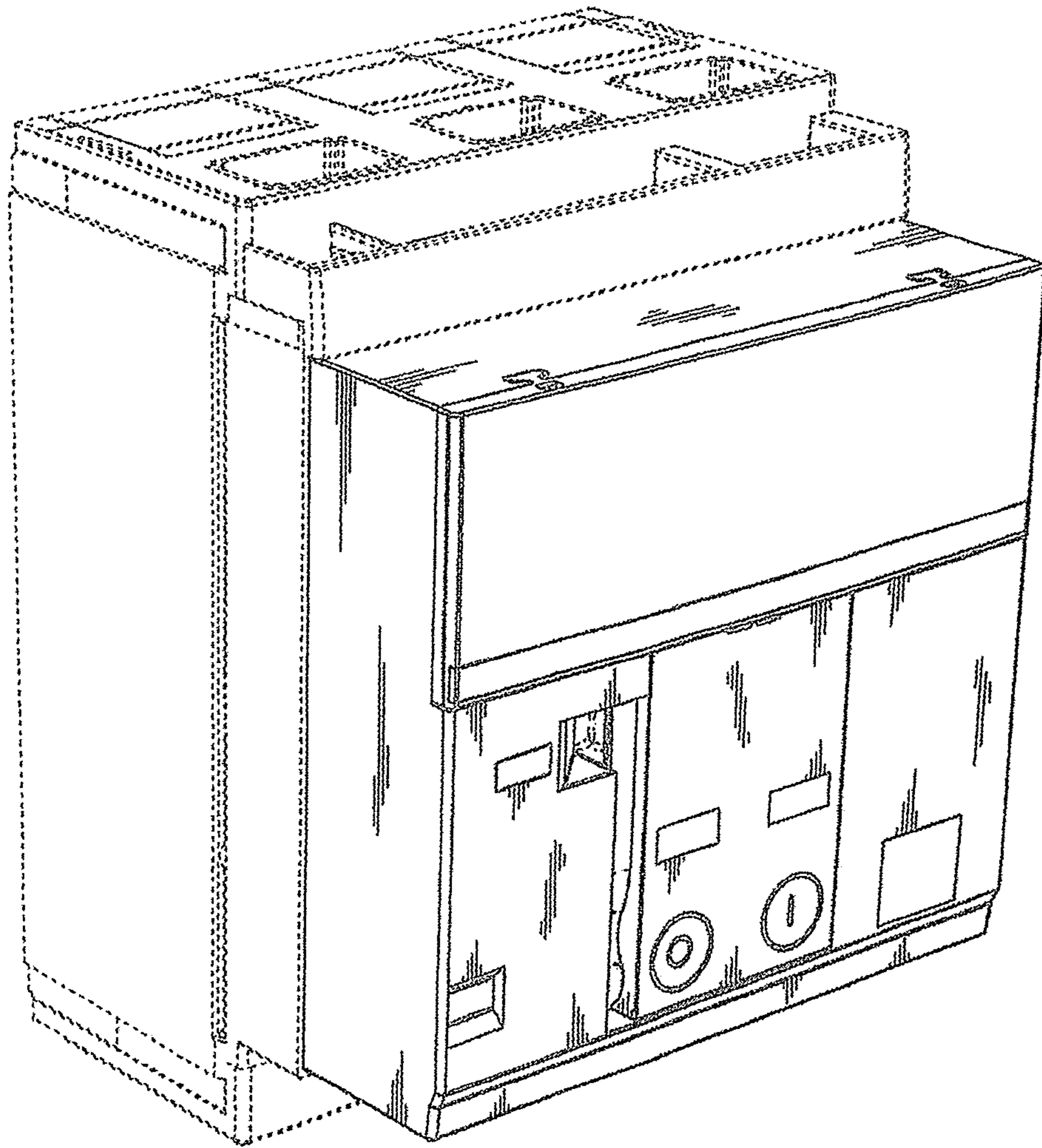


FIG. 7