



US00D858455S

(12) **United States Design Patent** (10) **Patent No.:** **US D858,455 S**  
**Baumeister et al.** (45) **Date of Patent:** **\*\* Sep. 3, 2019**

(54) **SMD CLAMP**

(71) Applicant: **BJB GmbH & Co. KG**, Arnsberg (DE)

(72) Inventors: **Olaf Baumeister**, Sundern (DE);  
**Marco Ludwig**, Wickede (DE)

(73) Assignee: **BJB GmbH & Co. KG**, Arnsberg (DE)

(\*\*) Term: **15 Years**

(21) Appl. No.: **29/567,830**

(22) Filed: **Jun. 13, 2016**

**Related U.S. Application Data**

(62) Division of application No. 29/499,826, filed on Aug. 19, 2014, now Pat. No. Des. 758,972.

(30) **Foreign Application Priority Data**

Mar. 26, 2014 (EP) ..... 002433342-0001  
Mar. 26, 2014 (EP) ..... 002433342-0002

(51) **LOC (12) Cl.** ..... **13-03**

(52) **U.S. Cl.**  
USPC ..... **D13/149**

(58) **Field of Classification Search**  
USPC ..... D13/110, 118, 123, 133, 134, 146, 147,  
D13/149, 154, 184, 199  
CPC ..... G01R 1/07364; H01H 13/10; H01H  
2001/5888; H01F 27/06; H01F 27/34;  
H01F 27/29; H01F 17/04; H05K 7/10;  
H01R 4/26; G01S 2007/028; H01L  
23/495; H01L 33/62; H01L 23/498; H01L  
23/48

See application file for complete search history.

(56) **References Cited**

U.S. PATENT DOCUMENTS

D204,060 S *	3/1966	Simmons .....	D13/158
D252,568 S *	8/1979	Comstock .....	D13/126
D254,667 S *	4/1980	Sare .....	D13/160
D758,972 S *	6/2016	Baumeister .....	D13/149

\* cited by examiner

*Primary Examiner* — Angela J Lee

*Assistant Examiner* — Shawn T Gingrich

(74) *Attorney, Agent, or Firm* — Von Rohrscheidt Patents

(57) **CLAIM**

The ornamental design for a SMD clamp, as shown and described.

**DESCRIPTION**

FIG. 1 illustrates a perspective top and left side view of the first embodiment of the SMD clamp showing the new design.

FIG. 2 illustrates a front face view of the SMD clamp in FIG. 1.

FIG. 3 illustrates a rear face view of the SMD clamp in FIG. 1.

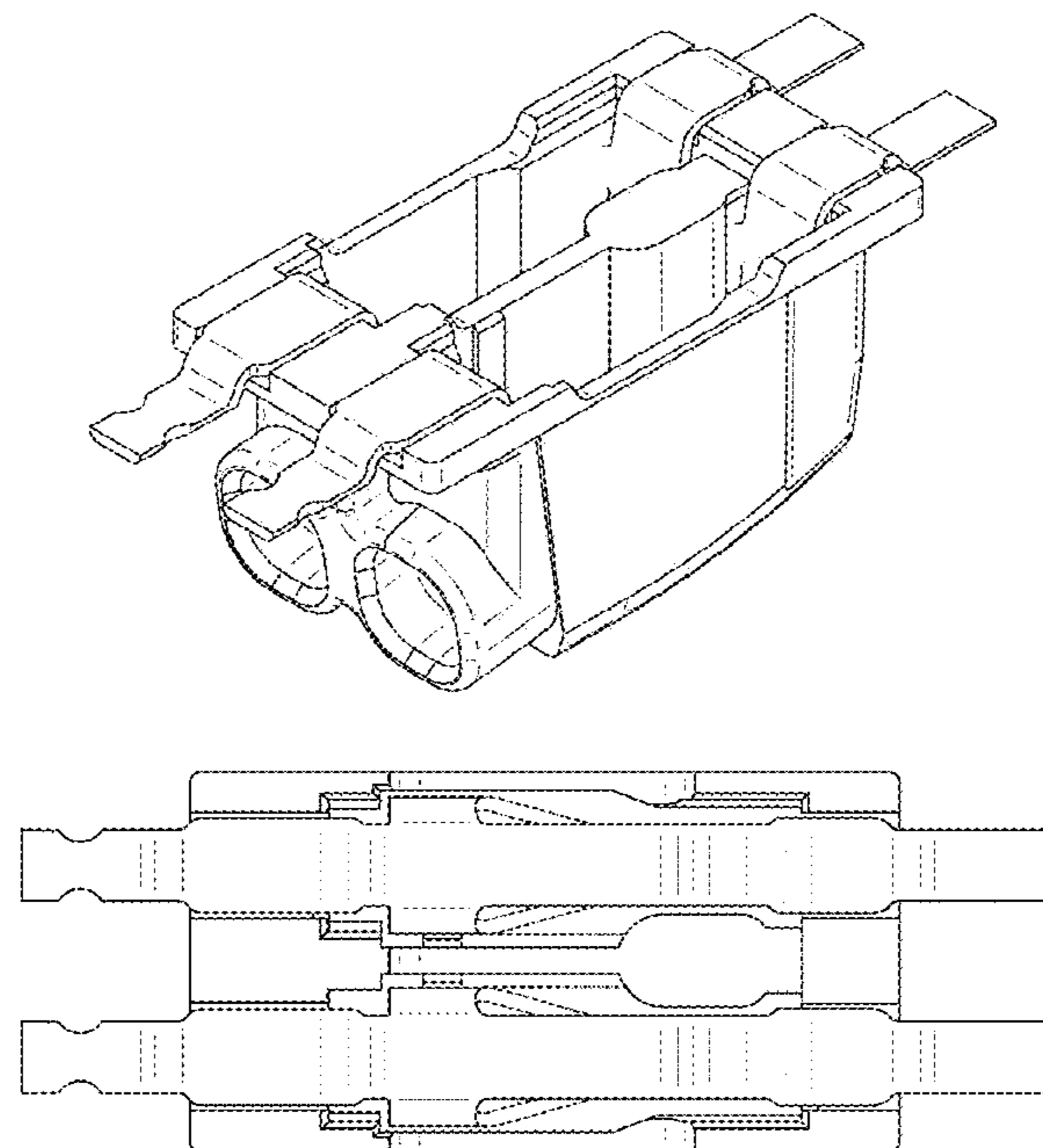
FIG. 4 illustrates a left side view of the SMD clamp in FIG. 1.

FIG. 5 illustrates a right side view of the SMD clamp in FIG. 1.

FIG. 6 illustrates a bottom view of the SMD clamp in FIG. 1; and,

FIG. 7 illustrates a top view of the SMD clamp in FIG. 1. The broken lines in the drawings illustrate portions of the SMD clamp that form no part of the claimed design.

**1 Claim, 7 Drawing Sheets**



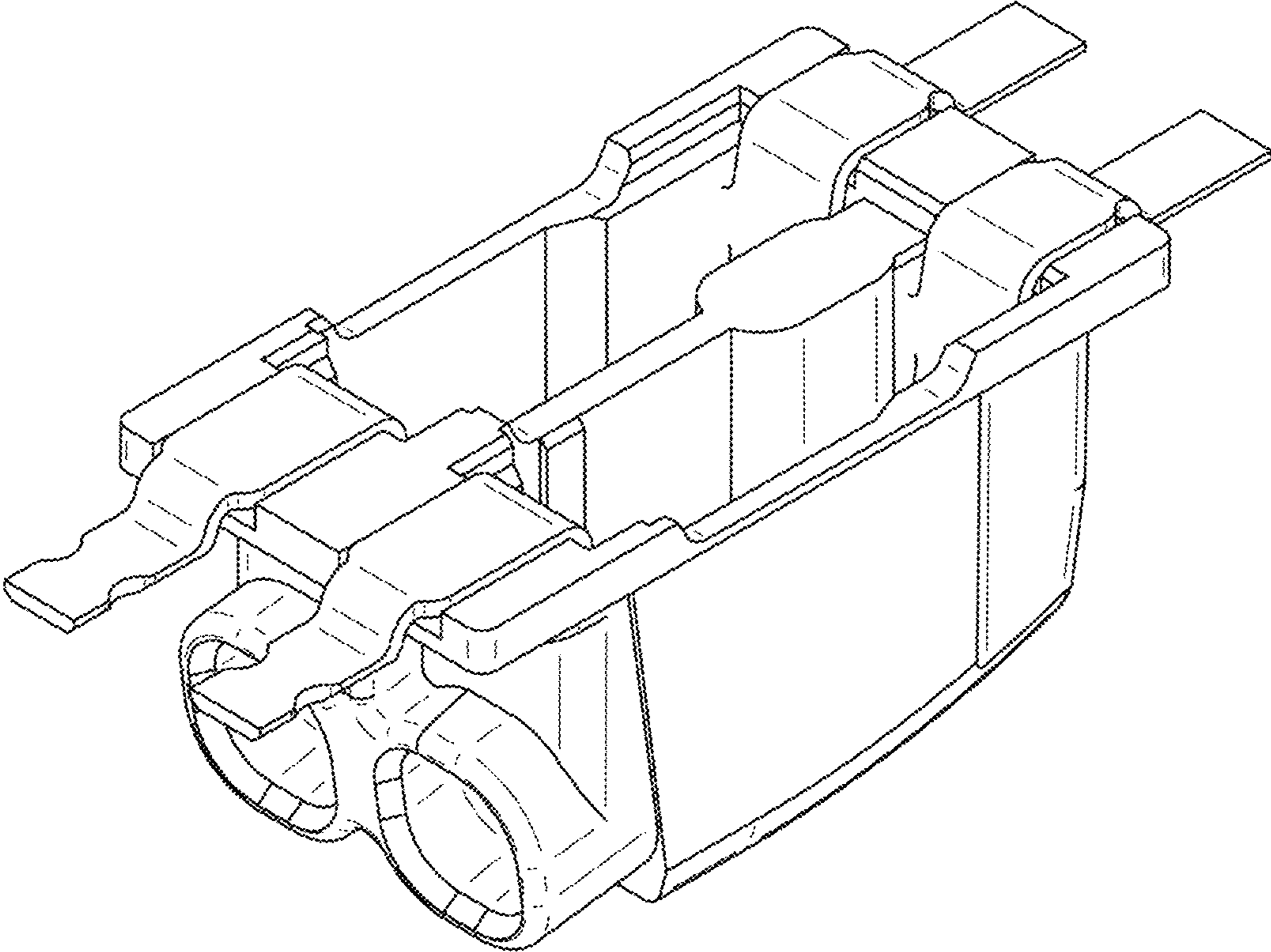
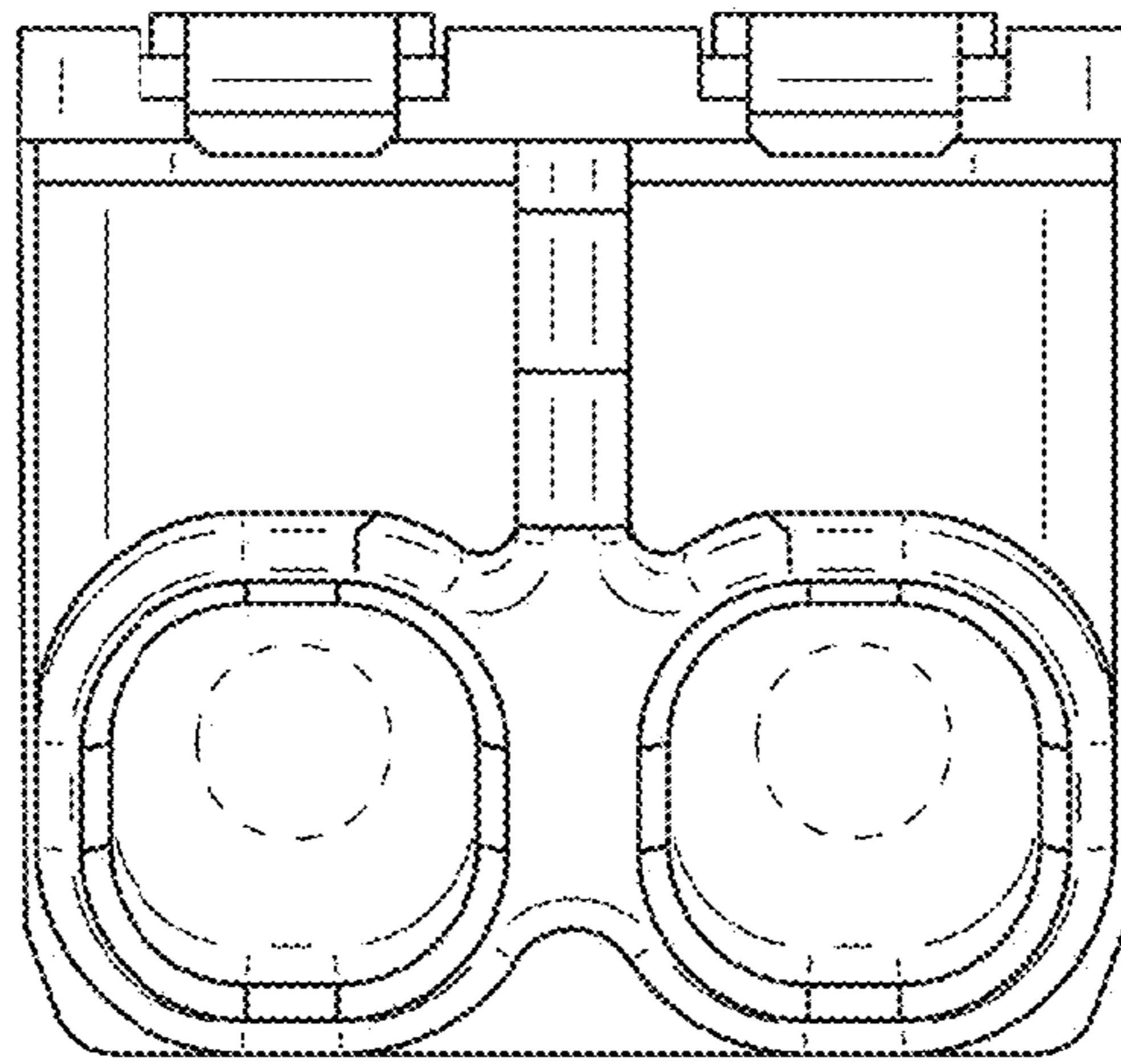


FIG. 1



**FIG. 2**

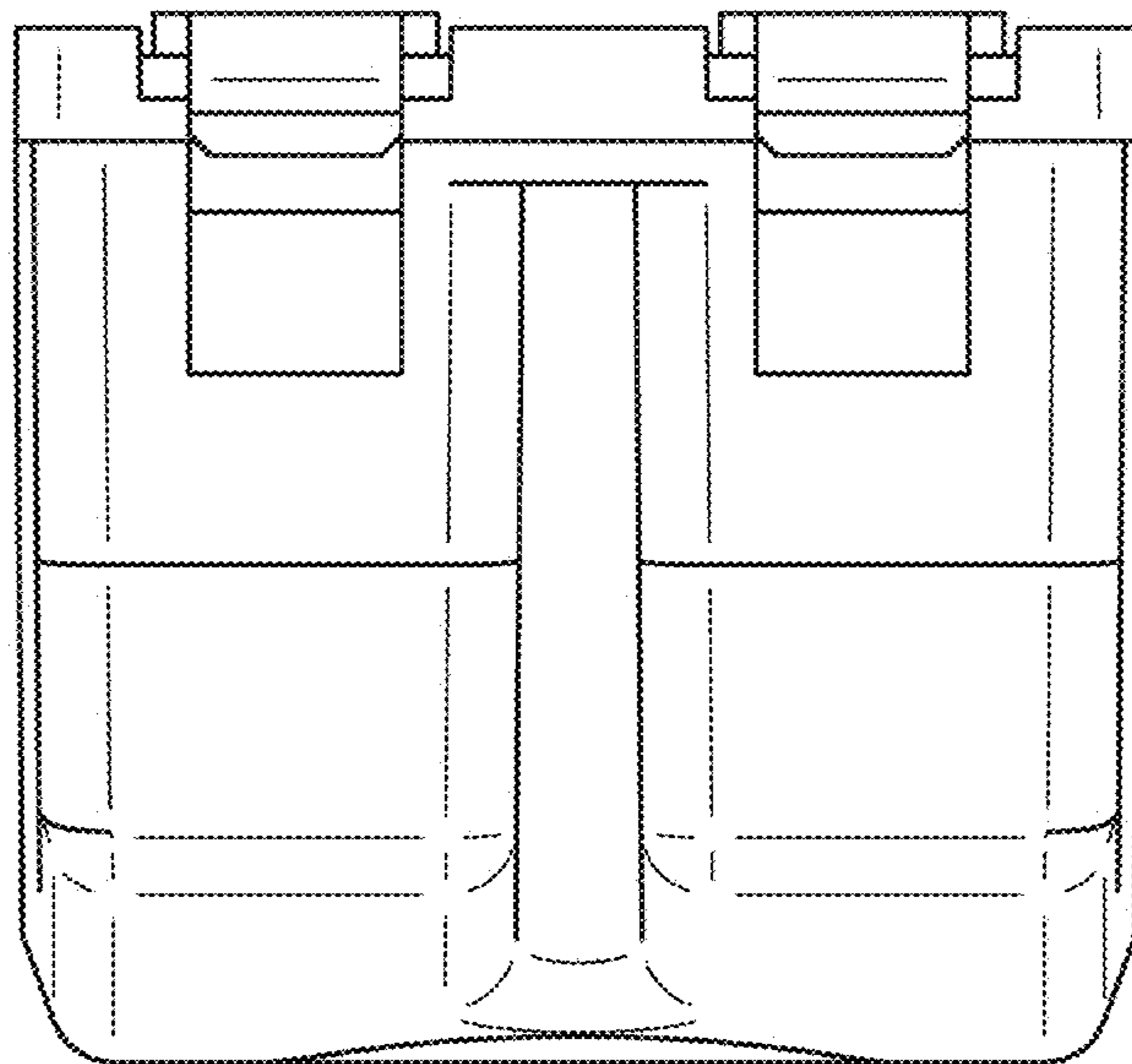


FIG. 3

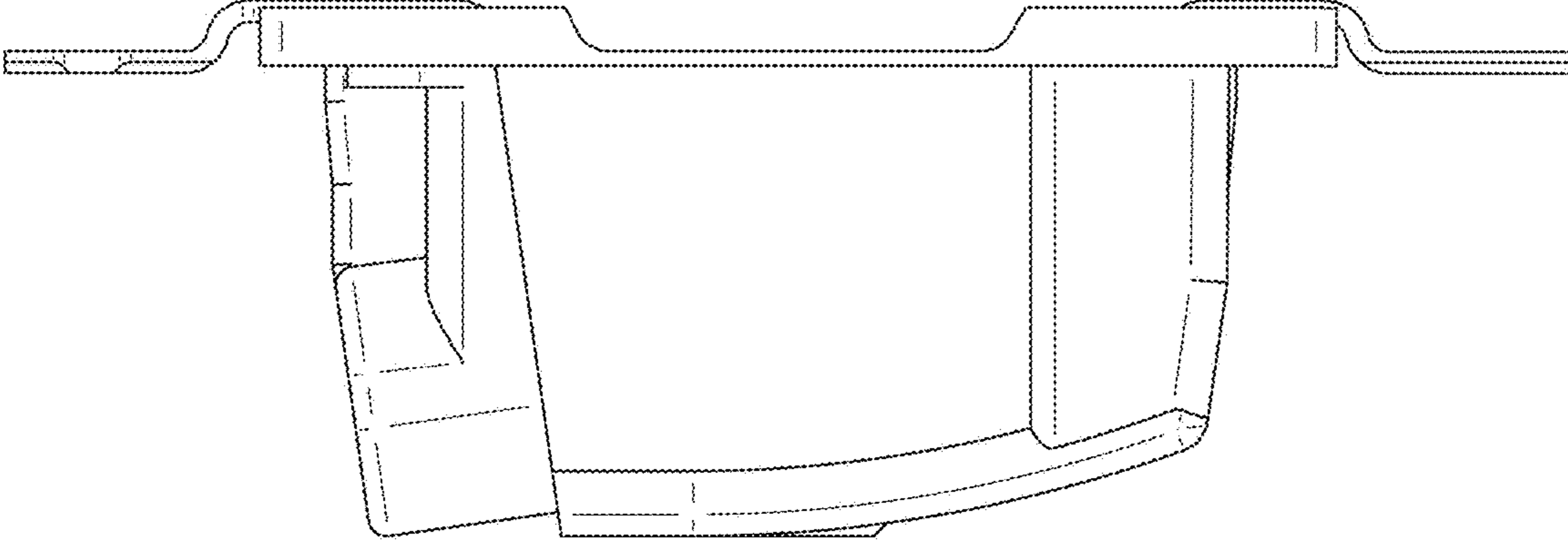


FIG. 4

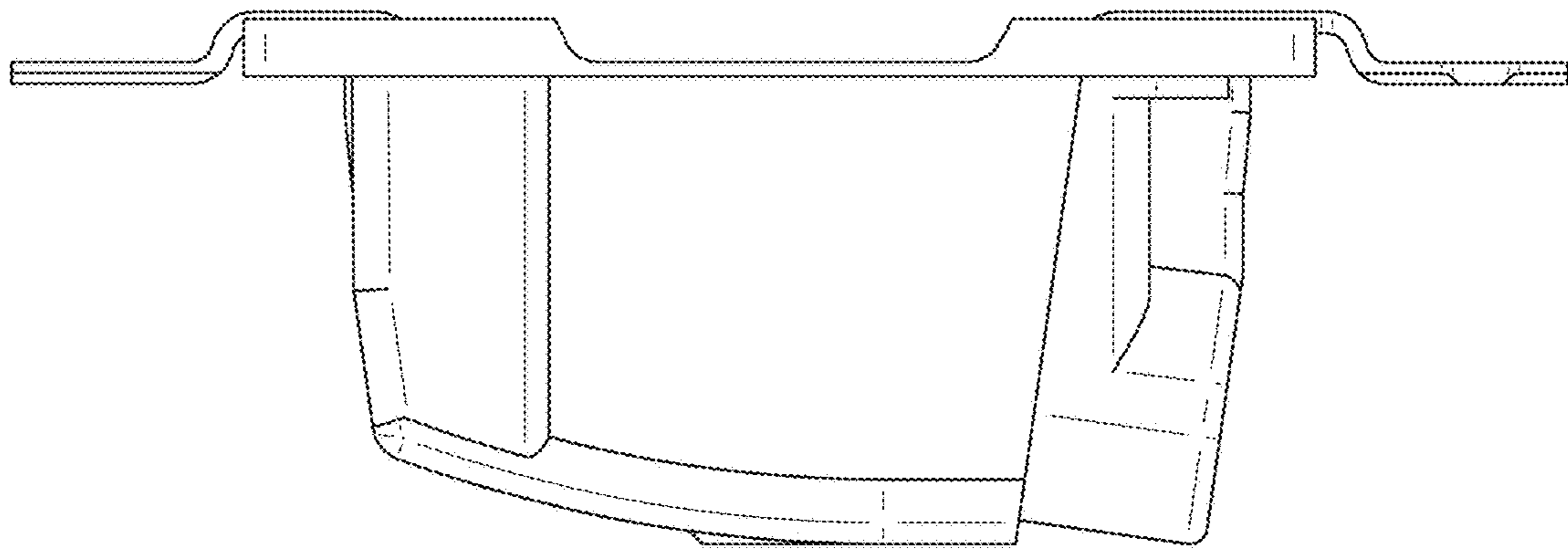


FIG. 5

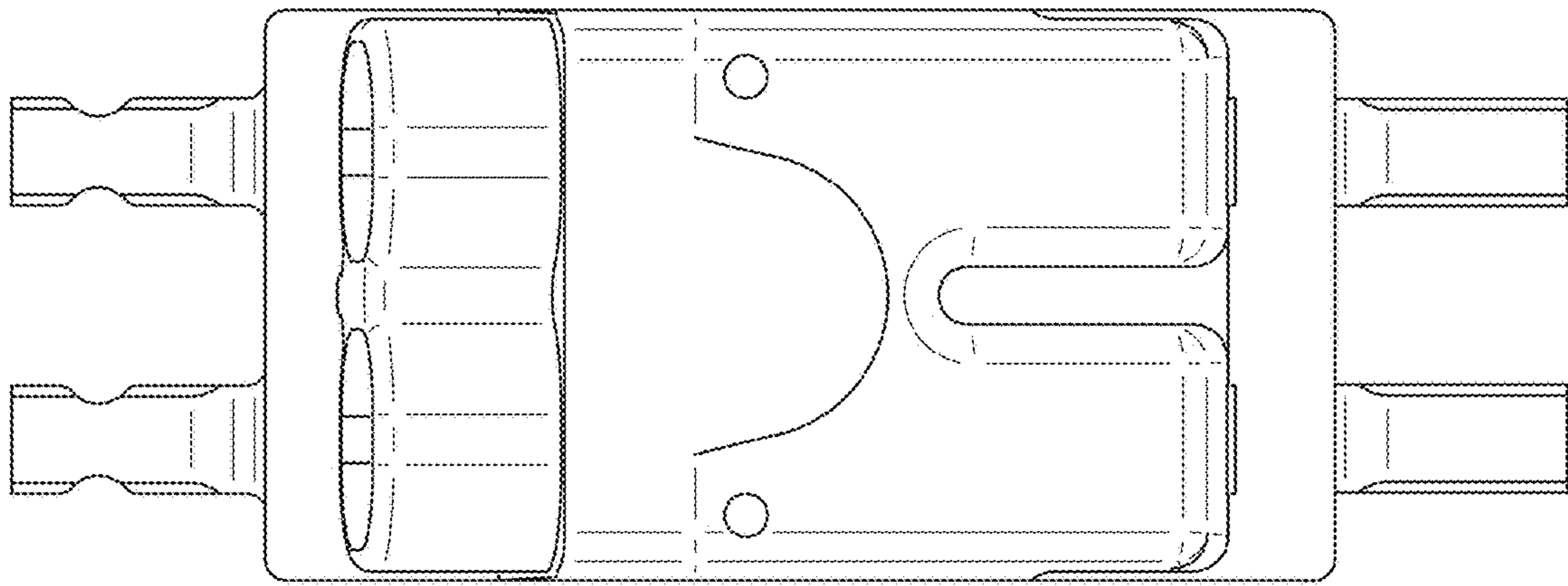


FIG. 6

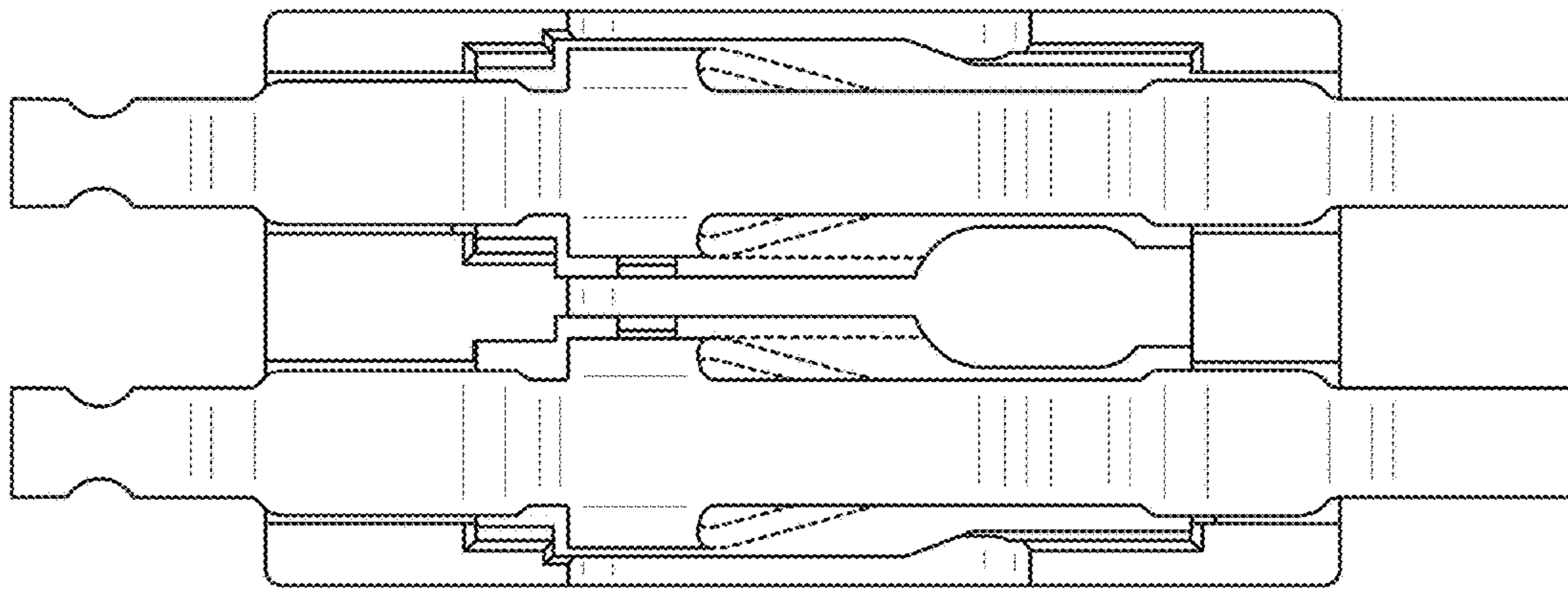


FIG. 7