



US00D858454S

(12) **United States Design Patent**
Huang et al.

(10) **Patent No.:** **US D858,454 S**
(45) **Date of Patent:** **** Sep. 3, 2019**

- (54) **BOARD CONNECTOR HOUSING**
- (71) Applicant: **Tarng Yu Enterprise co., ltd.**, New Taipei (TW)
- (72) Inventors: **Mu-Jung Huang**, New Taipei (TW);
Ying-Chung Chen, New Taipei (TW);
Chai-Fa Chang, New Taipei (TW)
- (73) Assignee: **TARNG YU ENTERPRISE CO., LTD.**, New Taipei (TW)
- (**) Term: **15 Years**
- (21) Appl. No.: **29/657,402**
- (22) Filed: **Jul. 20, 2018**
- (30) **Foreign Application Priority Data**

Jan. 22, 2018 (TW) 107300399

- (51) **LOC (12) Cl.** **13-03**
- (52) **U.S. Cl.**
USPC **D13/147**
- (58) **Field of Classification Search**
USPC D13/101, 118, 123, 133, 145-147, 149,
D13/151, 154, 184, 199
CPC . H01R 9/03; H01R 9/05; H01R 12/00; H01R
12/24; H01R 12/57; H01R 12/70; H01R
12/7005; H01R 12/71; H01R 12/716;
H01R 12/77; H01R 12/79; H01R 13/62;
H01R 13/627; H01R 13/639; H01R
13/648; H01R 13/658; H01R 13/6581;
H01R 24/00
See application file for complete search history.

- (56) **References Cited**
U.S. PATENT DOCUMENTS
4,345,813 A * 8/1982 Hatch H01R 13/6456
439/372
D501,651 S * 2/2005 Kikuchi D13/147

7,270,566 B1 * 9/2007 Liao H01R 12/79
439/495
8,348,700 B1 * 1/2013 Chiang H01R 24/28
439/607.08
9,520,663 B1 * 12/2016 Chen H01R 12/771
D790,472 S * 6/2017 Chen D13/147
D790,474 S * 6/2017 Chen D13/147
2002/0076959 A1 * 6/2002 Lee H01R 12/7005
439/160

(Continued)

Primary Examiner — Angela J Lee
Assistant Examiner — Shawn T Gingrich
(74) *Attorney, Agent, or Firm* — Chun-Ming Shih

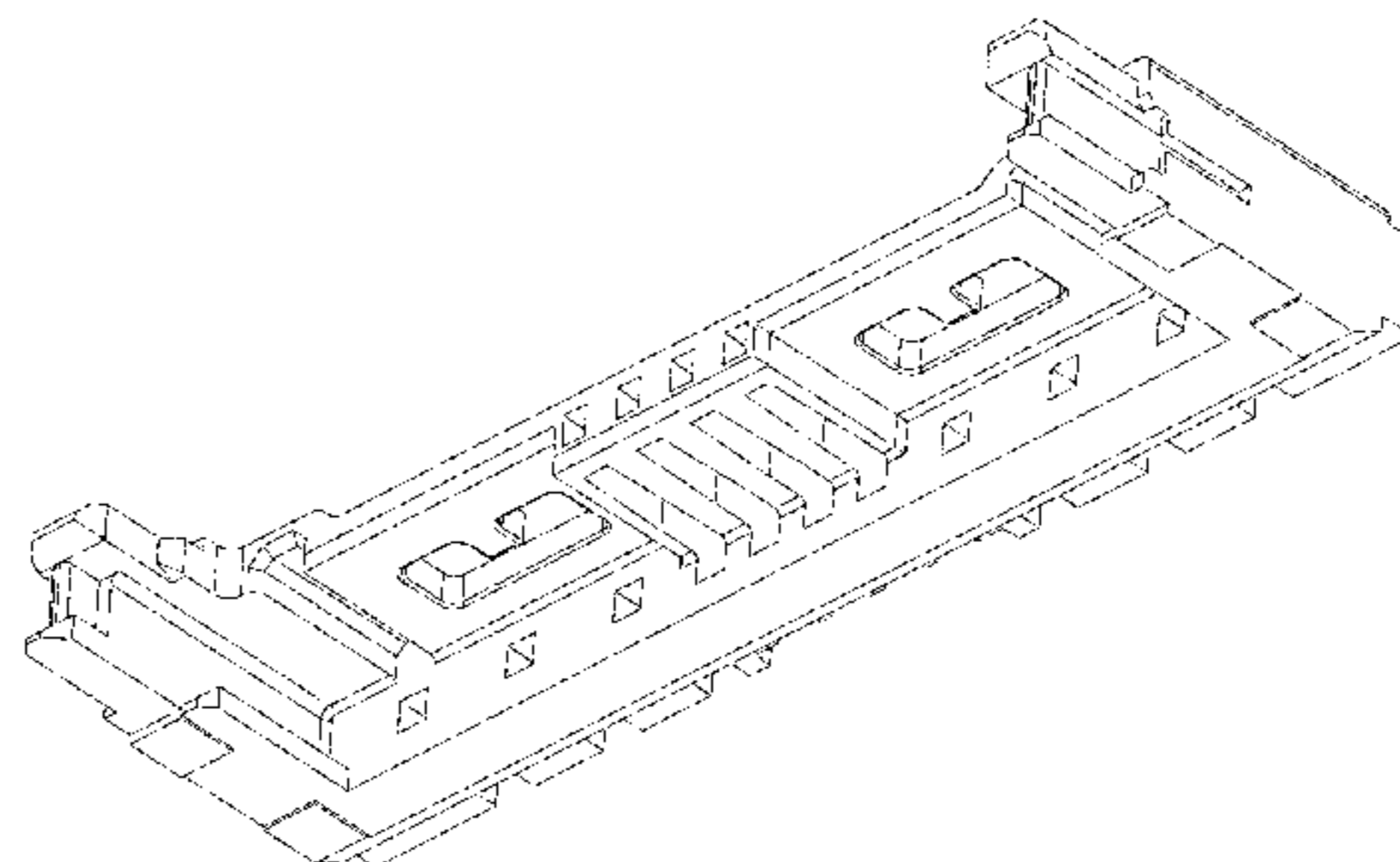
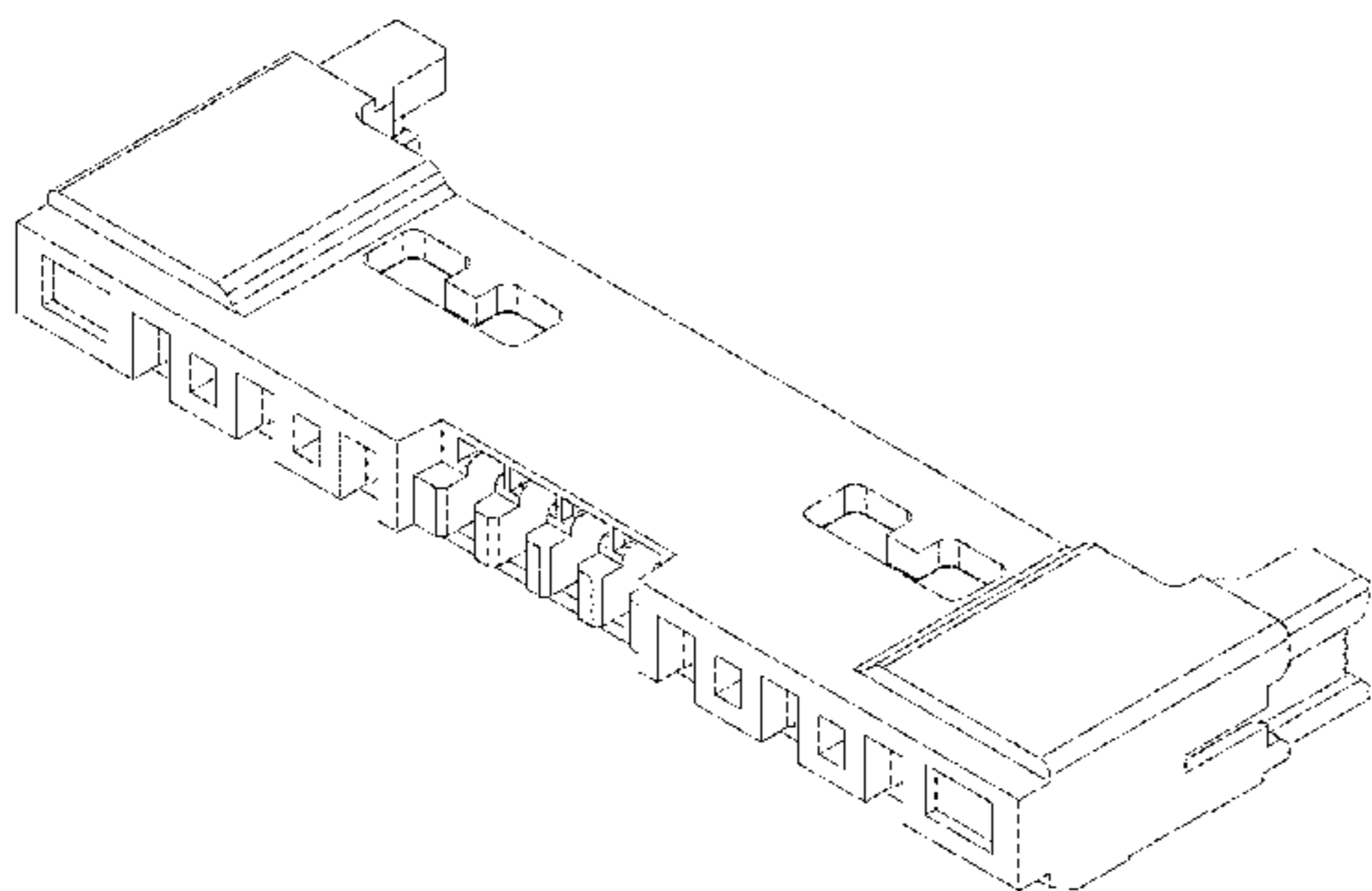
(57) **CLAIM**

The ornamental design for a board connector housing, as shown and described.

DESCRIPTION

FIG. 1 is a perspective view of a board connector housing showing the new design;
FIG. 2 is a front view of a board connector housing showing the new design;
FIG. 3 is a rear view of a board connector housing showing the new design;
FIG. 4 is a left side elevational view of a board connector housing showing the new design;
FIG. 5 is a right side elevational view of a board connector housing showing the new design;
FIG. 6 is a top view of a board connector housing showing the new design;
FIG. 7 is a bottom view of a board connector housing showing the new design;
FIG. 8 is another perspective view of a board connector housing showing the new design;
FIG. 9 is another perspective view of a board connector housing showing the new design; and,
FIG. 10 is another perspective view of a board connector housing showing the new design.

1 Claim, 10 Drawing Sheets



(56)

References Cited

U.S. PATENT DOCUMENTS

2003/0148640 A1* 8/2003 Chang H01R 12/721
439/74
2008/0293292 A1* 11/2008 Wu H01R 12/598
439/494
2009/0004910 A1* 1/2009 Takahira H01R 12/79
439/495
2009/0305551 A1* 12/2009 Kameda H01R 9/034
439/497
2009/0318010 A1* 12/2009 Lin H01R 12/592
439/374
2010/0248517 A1* 9/2010 Li H01R 12/721
439/327
2012/0115338 A1* 5/2012 Liu H01R 12/7052
439/55
2012/0128302 A1* 5/2012 Katagiyama G02B 6/3825
385/56
2013/0330940 A1* 12/2013 Hasse H01R 12/716
439/65
2015/0044913 A1* 2/2015 Chen H01R 12/716
439/676
2015/0050828 A1* 2/2015 Xu H01R 12/7029
439/350
2015/0155658 A1* 6/2015 Urano H01R 13/6273
439/78
2017/0331210 A1* 11/2017 Chen H01R 12/77
2018/0040977 A1* 2/2018 Zhao H01R 13/6273
2019/0109394 A1* 4/2019 Huang H01R 12/79

* cited by examiner

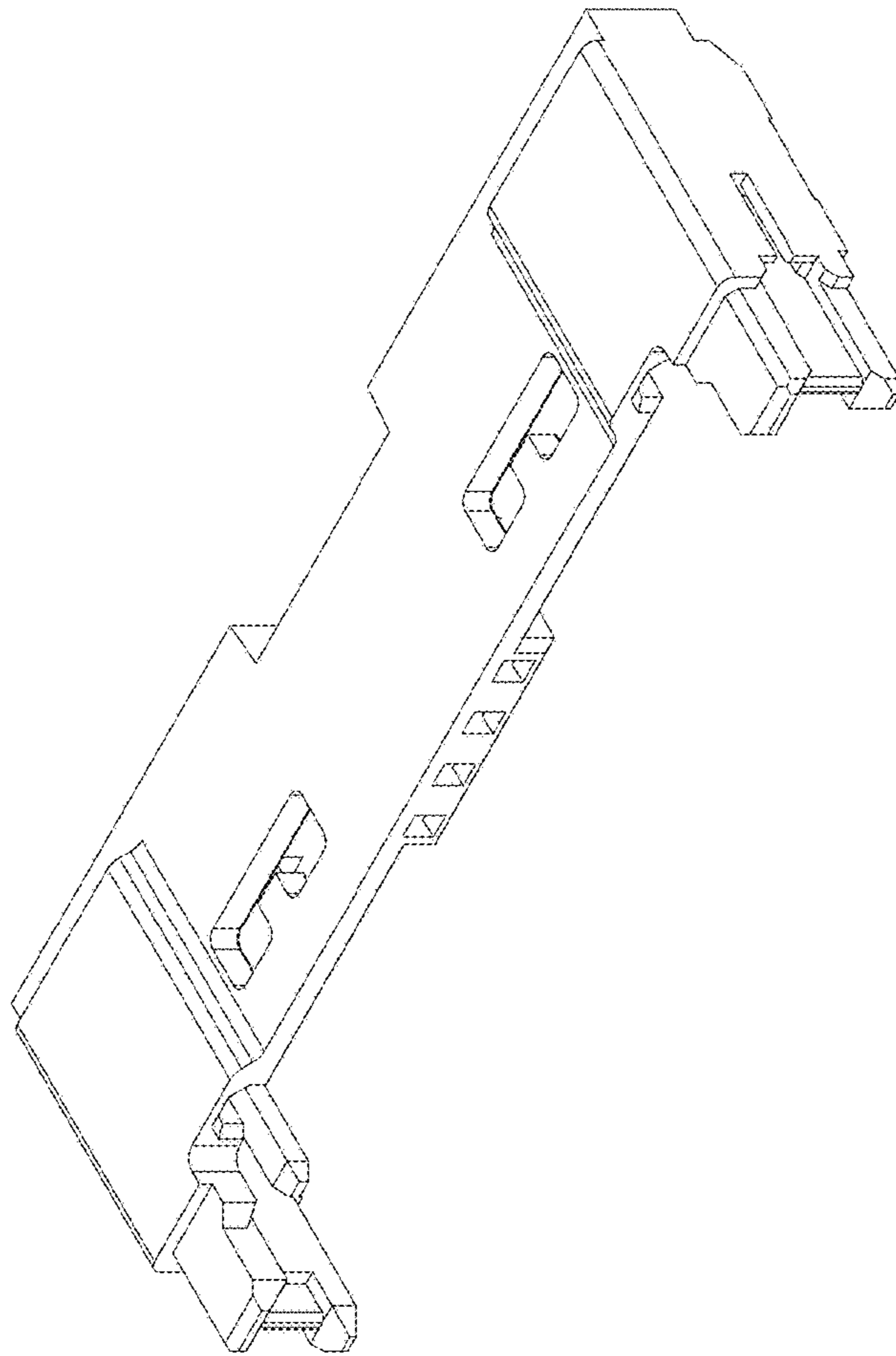


Fig. 1

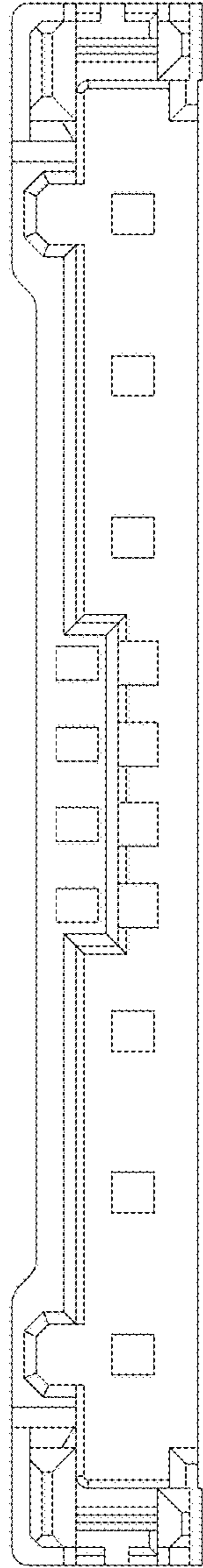


Fig. 2

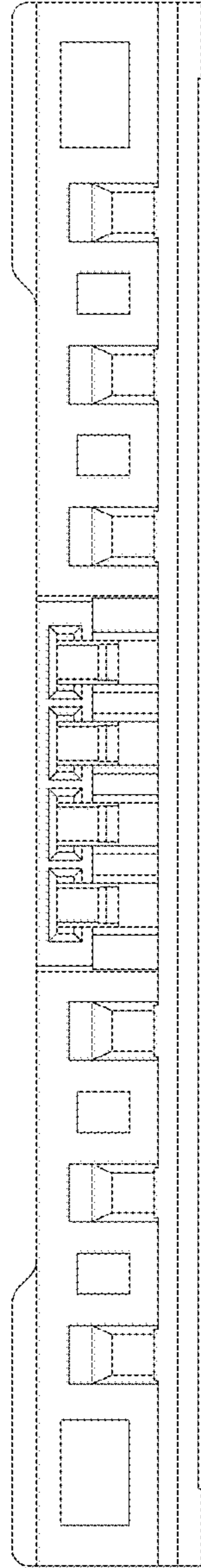


Fig. 3

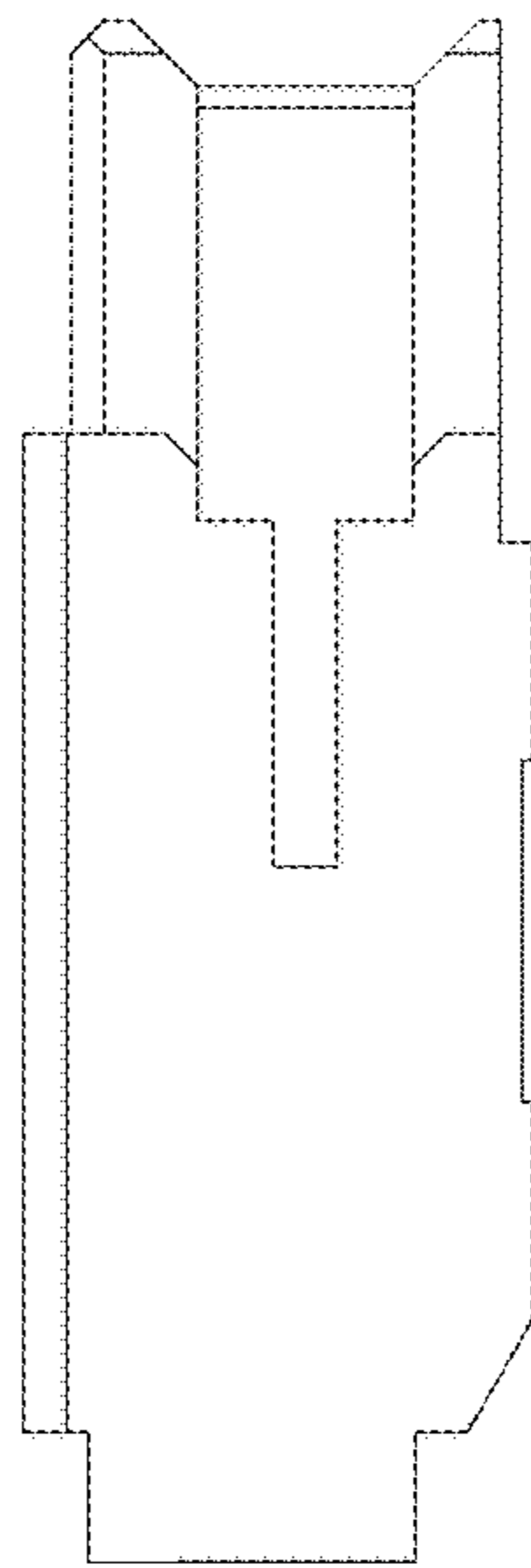


Fig. 4

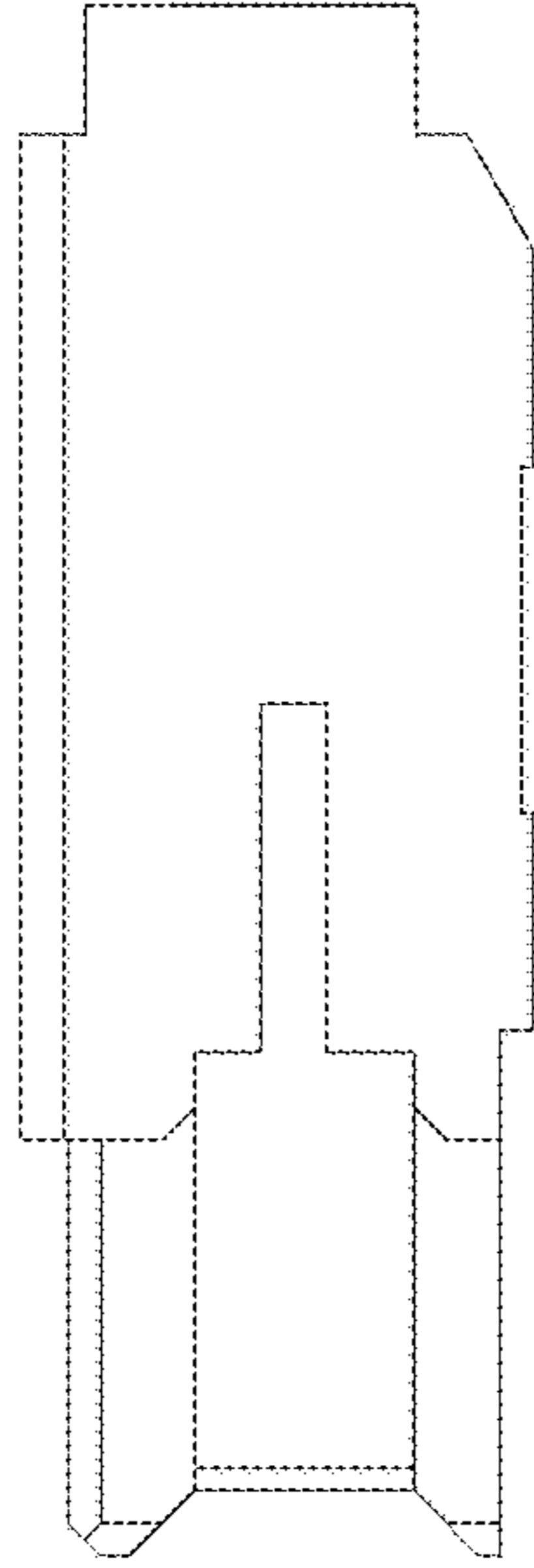


Fig. 5

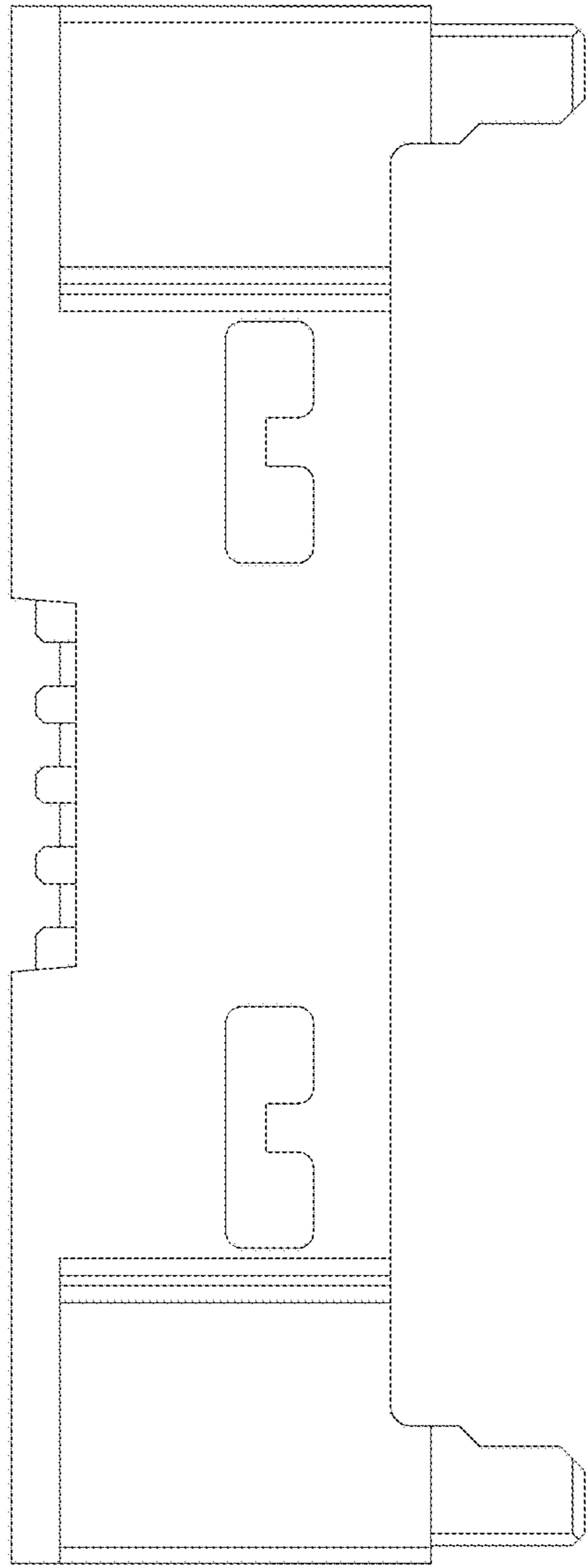


Fig. 6

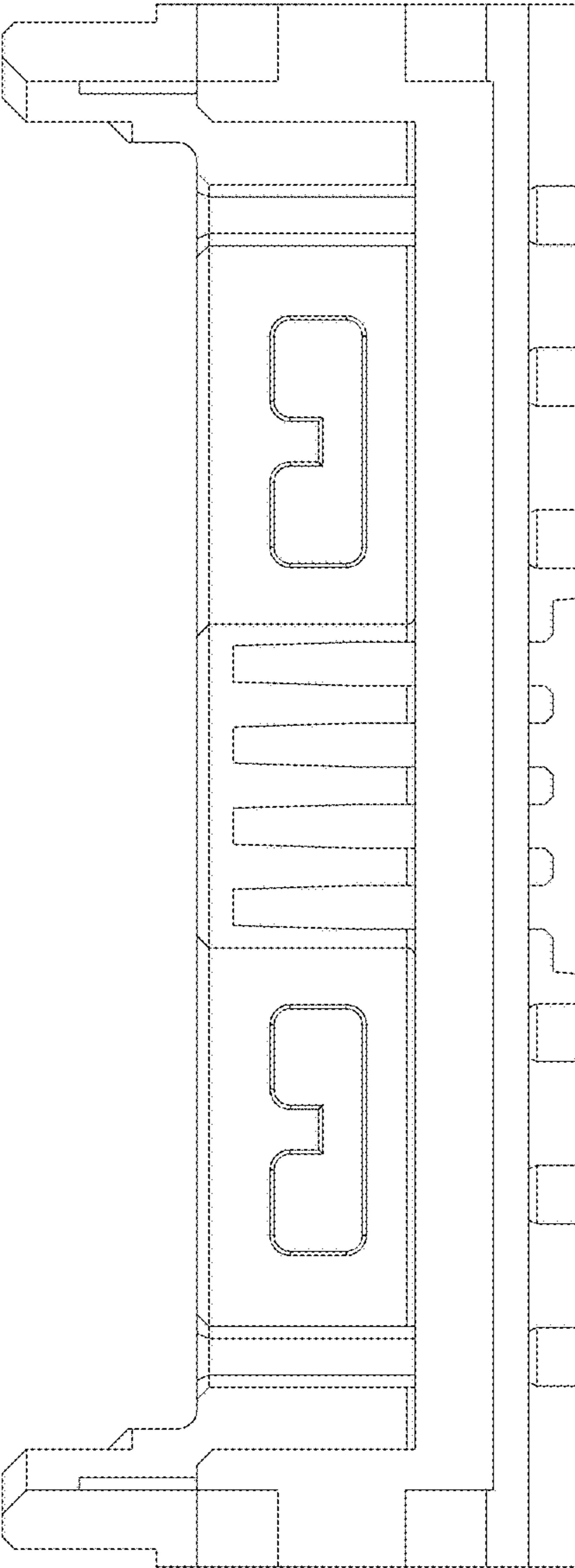


Fig. 7

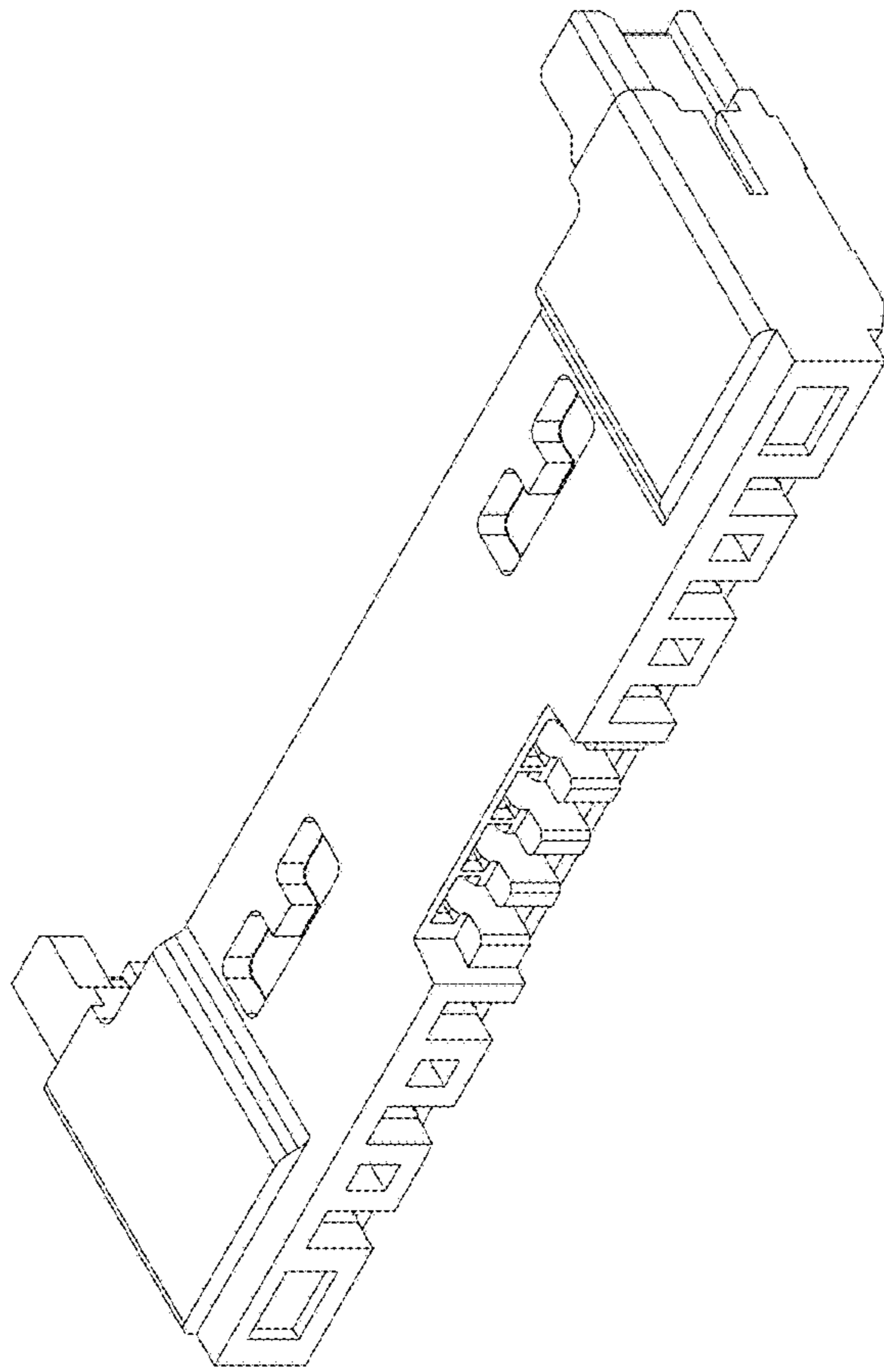


Fig. 8

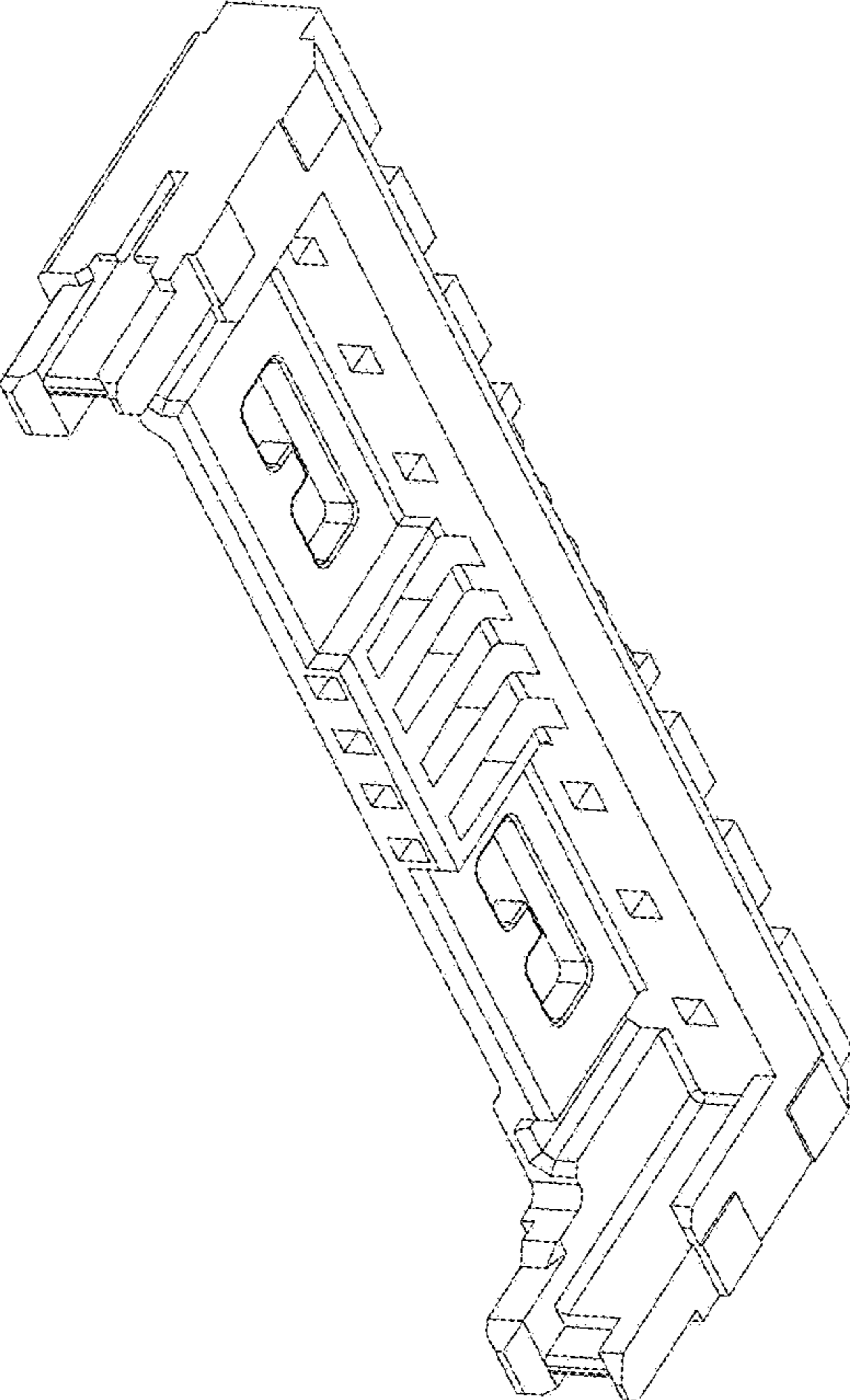


Fig. 9

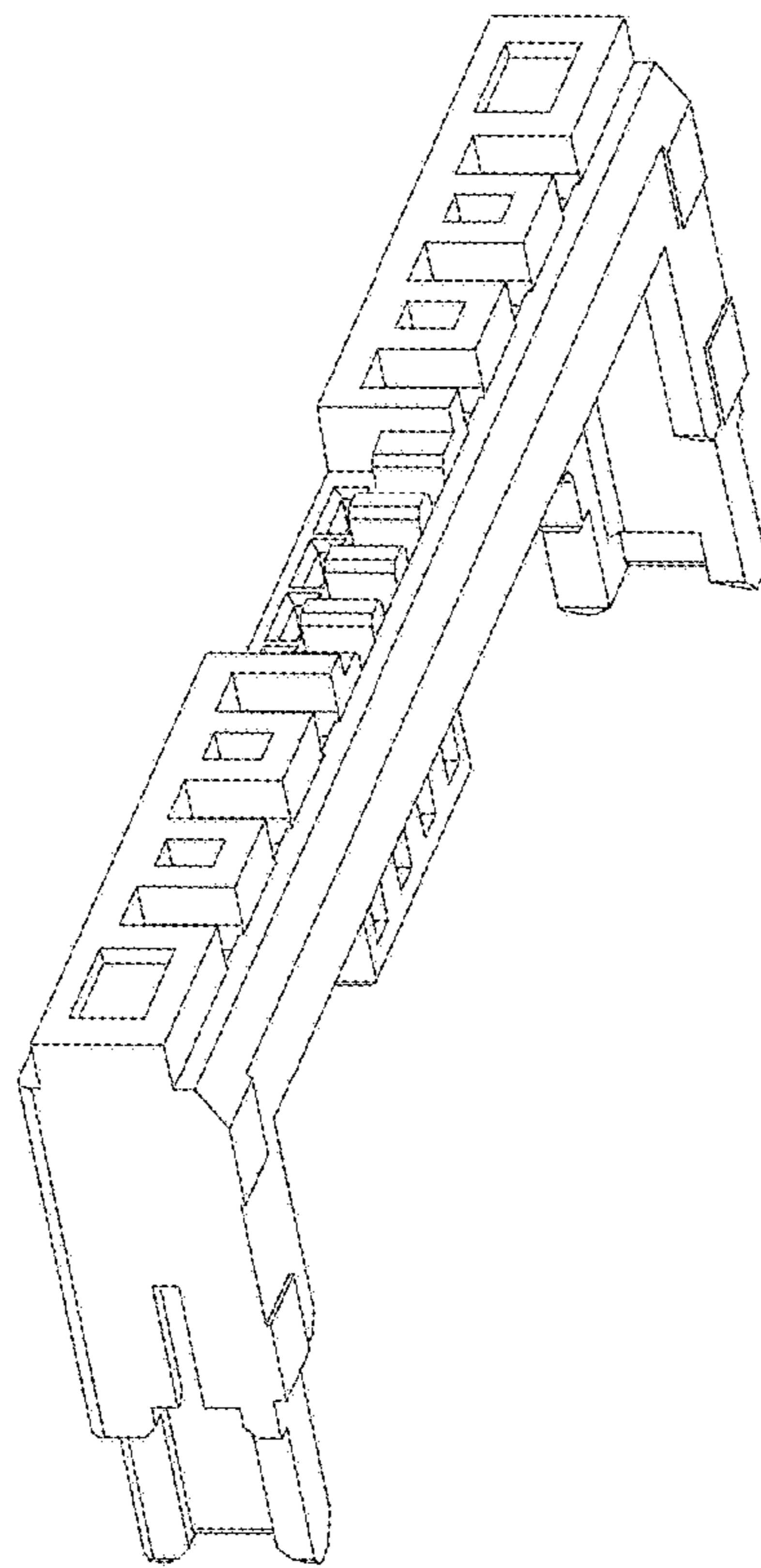


Fig. 10

UNITED STATES PATENT AND TRADEMARK OFFICE
CERTIFICATE OF CORRECTION

PATENT NO. : D858,454 S
APPLICATION NO. : 29/657402
DATED : September 3, 2019
INVENTOR(S) : Mu-Jung Huang, Ying-Chung Chen and Chia-Fa Chang

Page 1 of 1

It is certified that error appears in the above-identified patent and that said Letters Patent is hereby corrected as shown below:

On the Title Page

Item (72) Inventors should read:

Mu-Jung Huang, New Taipei City (TW);

Ying-Chung Chen, New Taipei City (TW);

Chia-Fa Chang, New Taipei City (TW)

Signed and Sealed this
Sixth Day of December, 2022



Katherine Kelly Vidal
Director of the United States Patent and Trademark Office