



US00D858452S

(12) **United States Design Patent**
Jhun et al.

(10) **Patent No.:** **US D858,452 S**

(45) **Date of Patent:** **** Sep. 3, 2019**

(54) **TABLETOP MEDIA CENTER**

(71) Applicant: **Crestron Electronics, Inc.**, Rockleigh, NJ (US)

(72) Inventors: **Sae Jhun**, New York, NY (US); **Wendy Feldstein**, Old Tappan, NJ (US)

(73) Assignee: **Crestron Electronics, Inc.**, Rockleigh, NJ (US)

(**) Term: **15 Years**

(21) Appl. No.: **29/687,171**

(22) Filed: **Apr. 11, 2019**

Related U.S. Application Data

(63) Continuation-in-part of application No. 29/636,852, filed on Feb. 12, 2018.

(51) **LOC (12) Cl.** **13-03**

(52) **U.S. Cl.**
USPC **D13/139.4**; D14/134; D6/642

(58) **Field of Classification Search**
USPC D13/107-108, 139.4-139.6, 162-164;
D14/304-305, 307-308, 311, 434;
D6/641-642, 655, 691.1; D9/422;
D12/423

CPC A47B 21/06; A47B 2021/066; A47B
2200/0082

See application file for complete search history.

(56) **References Cited**

U.S. PATENT DOCUMENTS

- D176,176 S * 11/1955 Dahlgren D6/655.23
- D224,637 S * 8/1972 Ball D6/641
- D275,913 S * 10/1984 Mulligan D6/301
- D289,474 S * 4/1987 Underwood D6/642
- D314,555 S * 2/1991 Brown, Jr. D13/164
- D329,944 S * 10/1992 Longtin D12/423
- D353,363 S * 12/1994 Toby D13/139.4

(Continued)

OTHER PUBLICATIONS

Furniture Integration, posted at AVolution AV, posting date May 7, 2015. Site visited May 7, 2019. URL: <http://web.archive.org/web/20150707213359/http://www.avolutionav.com/solutions/furniture-integration/> (Year: 2015).*

Primary Examiner — Kevin K Rudzinski

Assistant Examiner — Kathleen L Jones

(74) *Attorney, Agent, or Firm* — Crestron Electronics, Inc.

(57) **CLAIM**

The ornamental design for a tabletop media center, as shown and described.

DESCRIPTION

FIG. 1 shows a front-top perspective view of a tabletop media center with top covers in a closed position, wherein the top covers include a pattern on their top surface.

FIG. 2 shows a top view of the tabletop media center with the top covers in a closed position.

FIG. 3 shows a front view of the tabletop media center with the top covers in a closed position.

FIG. 4 shows a rear view of the tabletop media center with the top covers in a closed position.

FIG. 5 shows a left side view of the tabletop media center with the top covers in a closed position.

FIG. 6 shows a right side view of the tabletop media center with the top covers in a closed position.

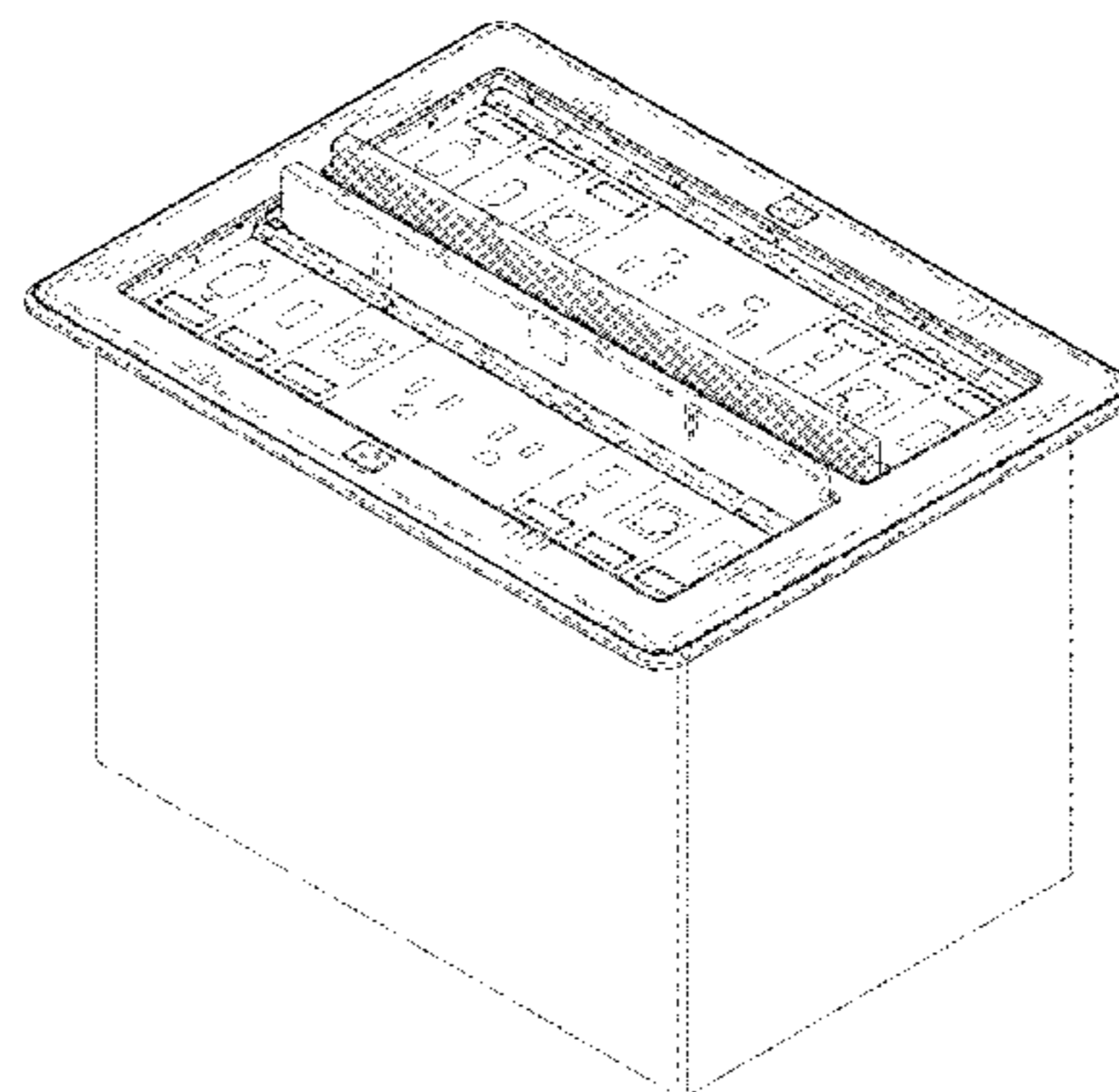
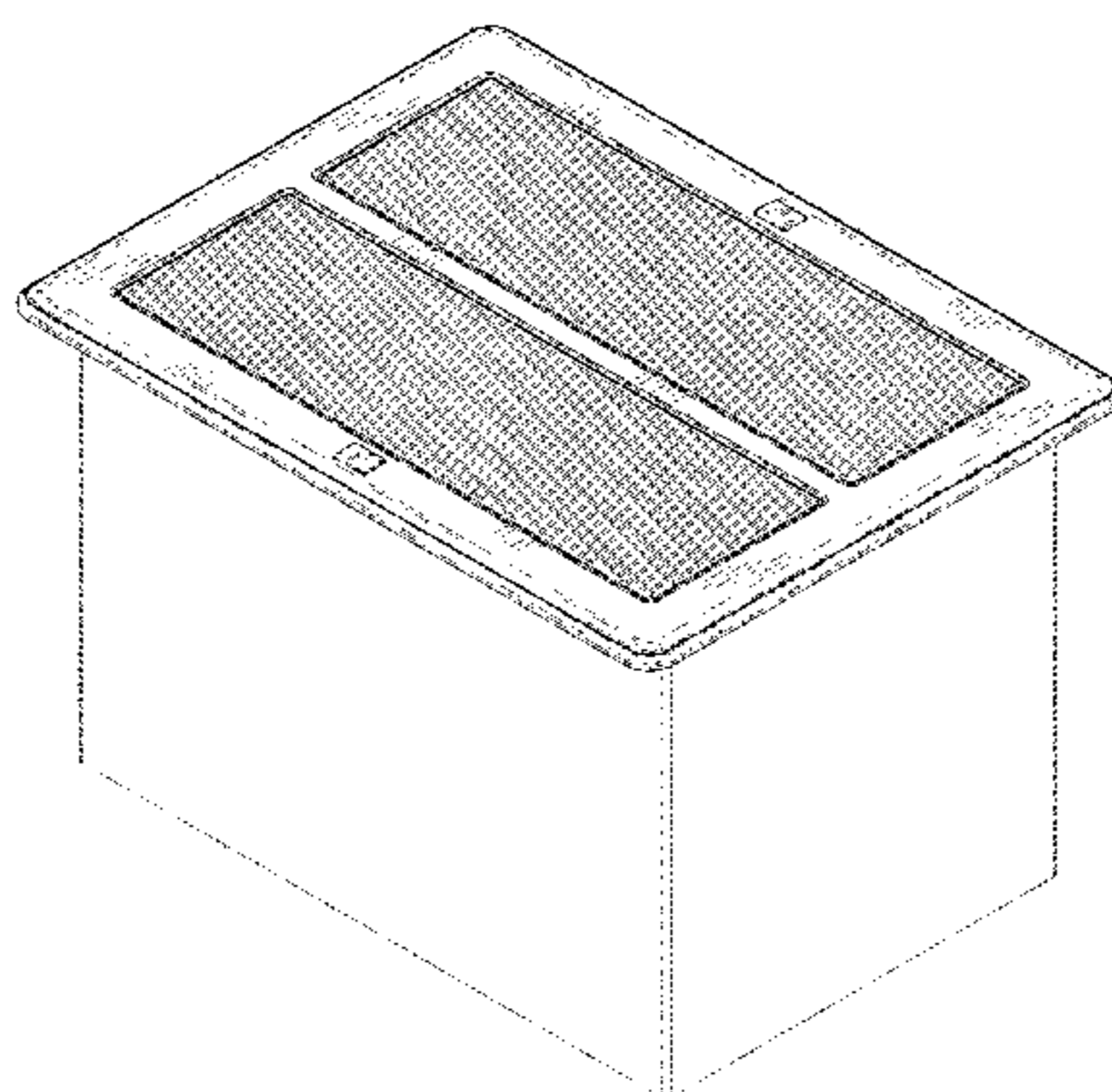
FIG. 7 shows a front-top perspective view of the tabletop media center with the top covers in an opened position.

FIG. 8 shows a rear-top perspective view of the tabletop media center with the top covers in an opened position; and,

FIG. 9 shows a top view of the tabletop media center with the top covers in an opened position.

The broken lines in the figures depict portions of the tabletop media center that form no part of the claimed design.

1 Claim, 9 Drawing Sheets



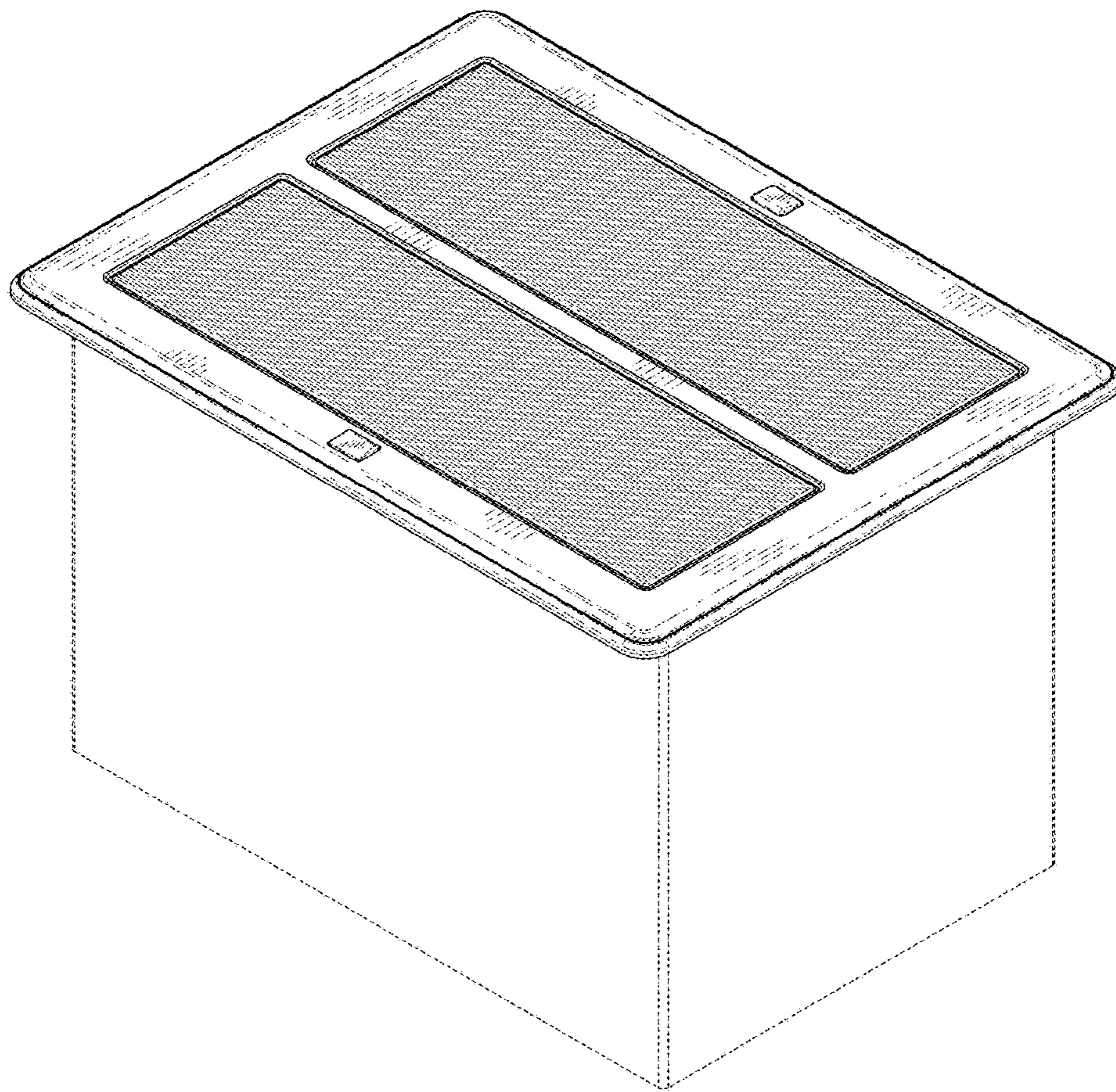


FIG. 1



FIG. 2

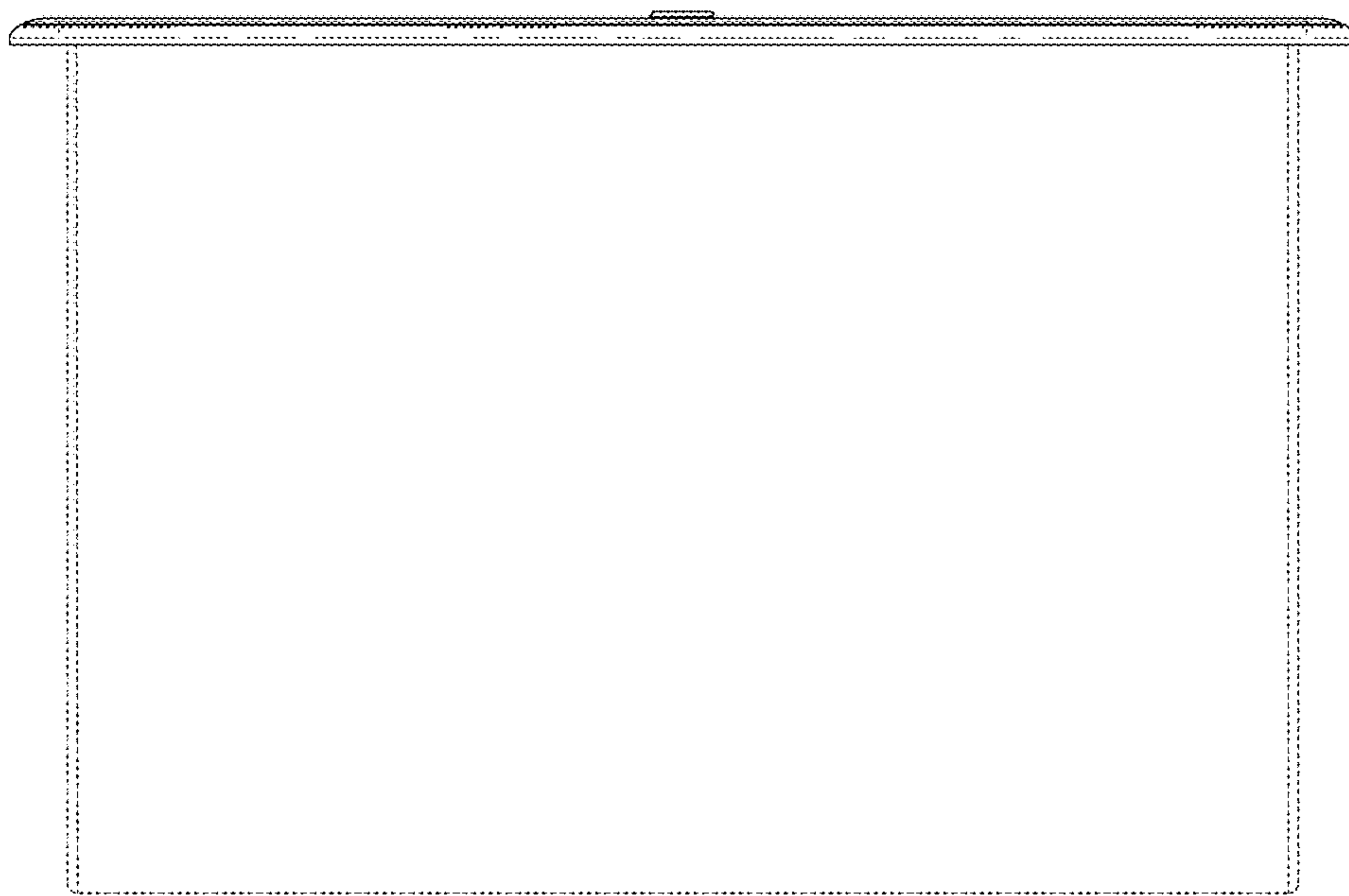


FIG. 3

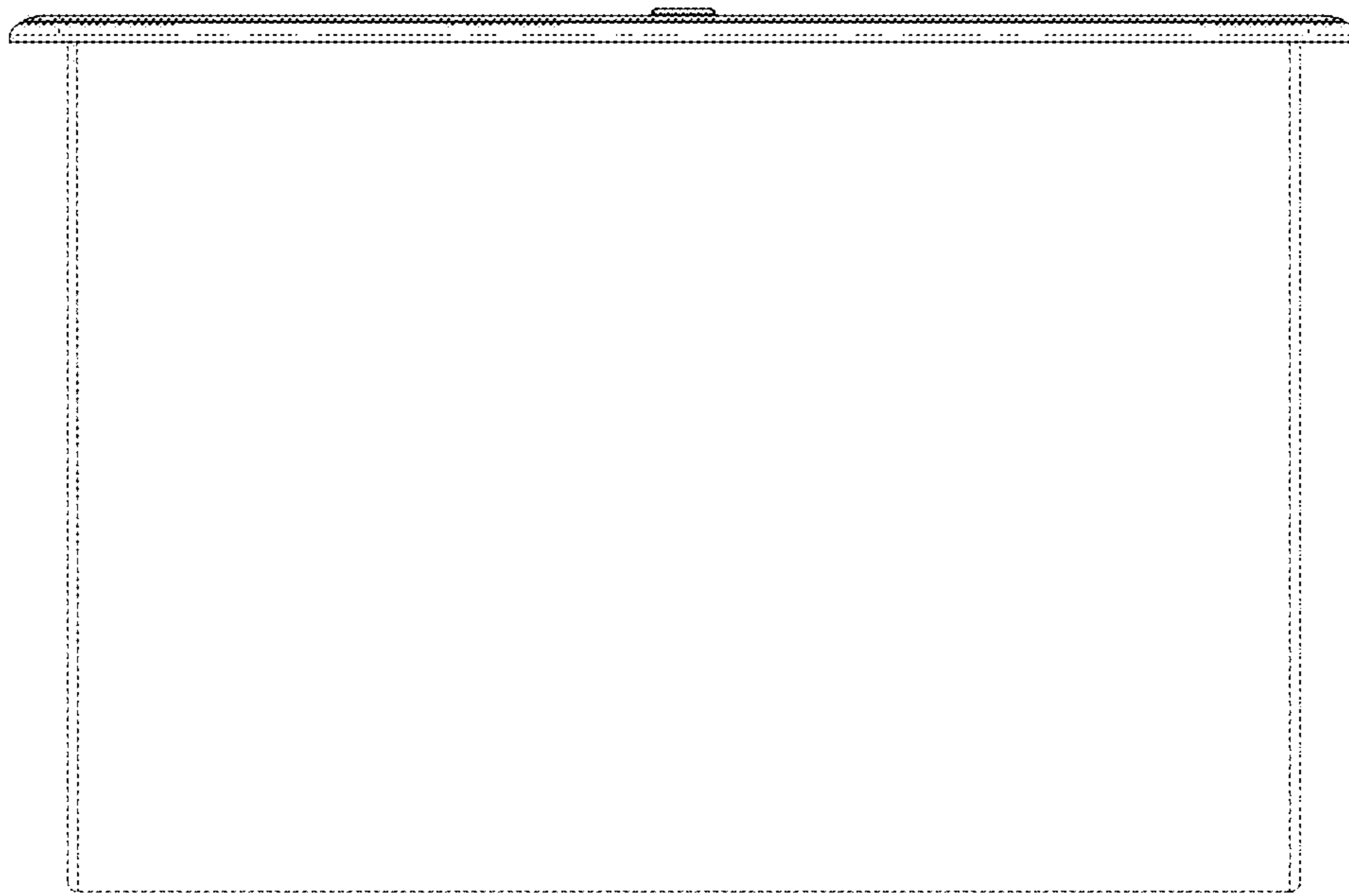


FIG. 4

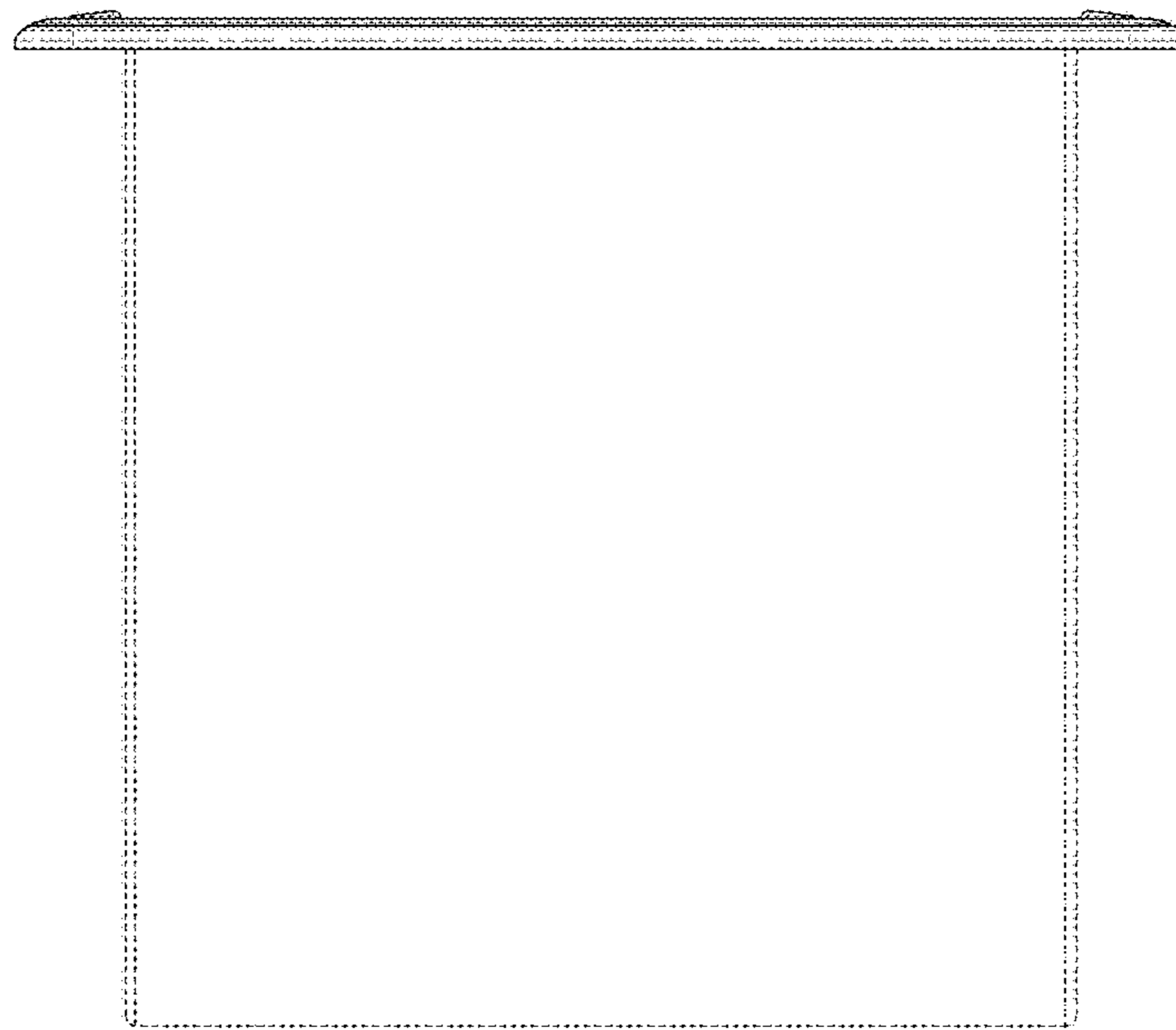


FIG. 5

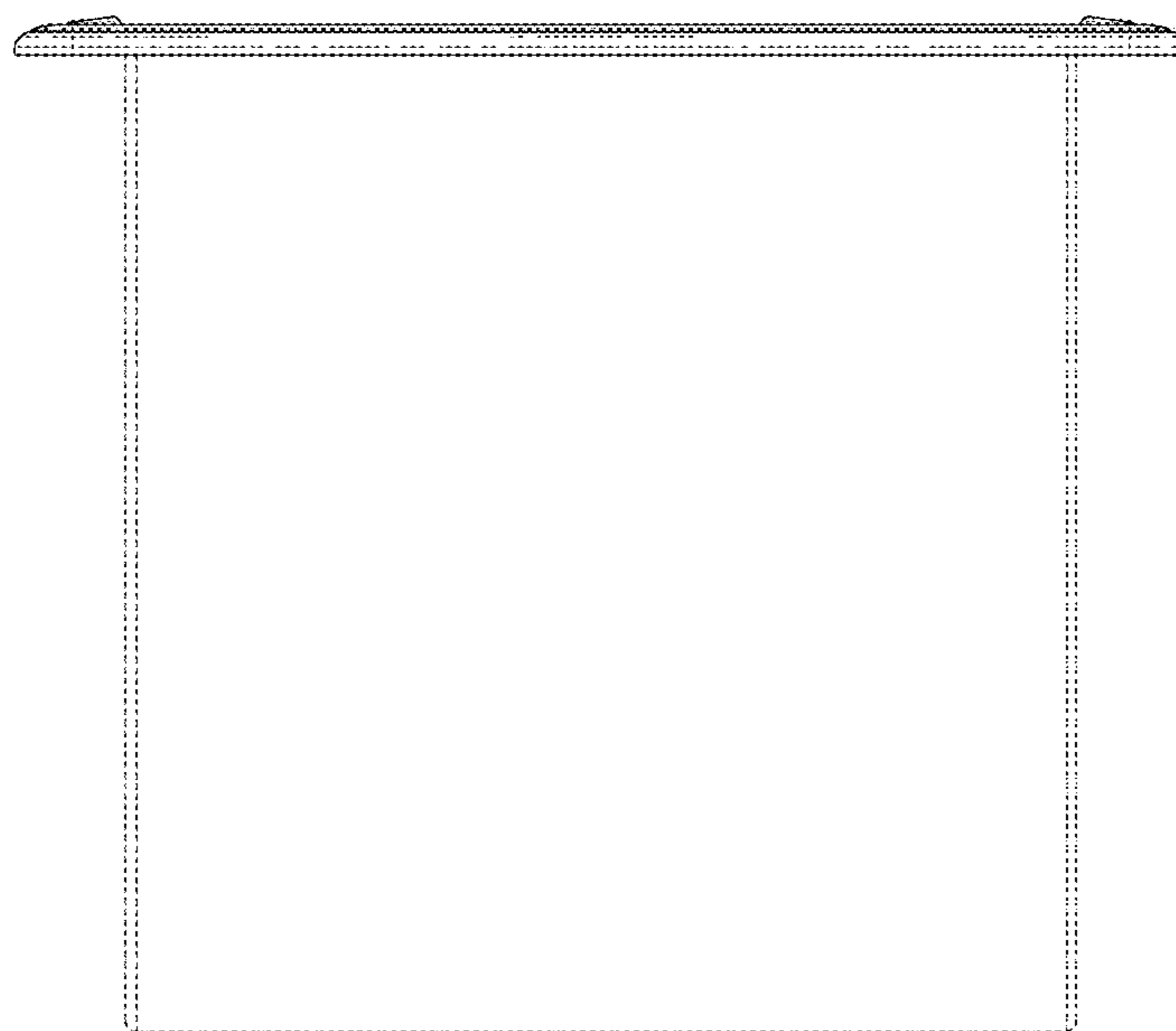


FIG. 6

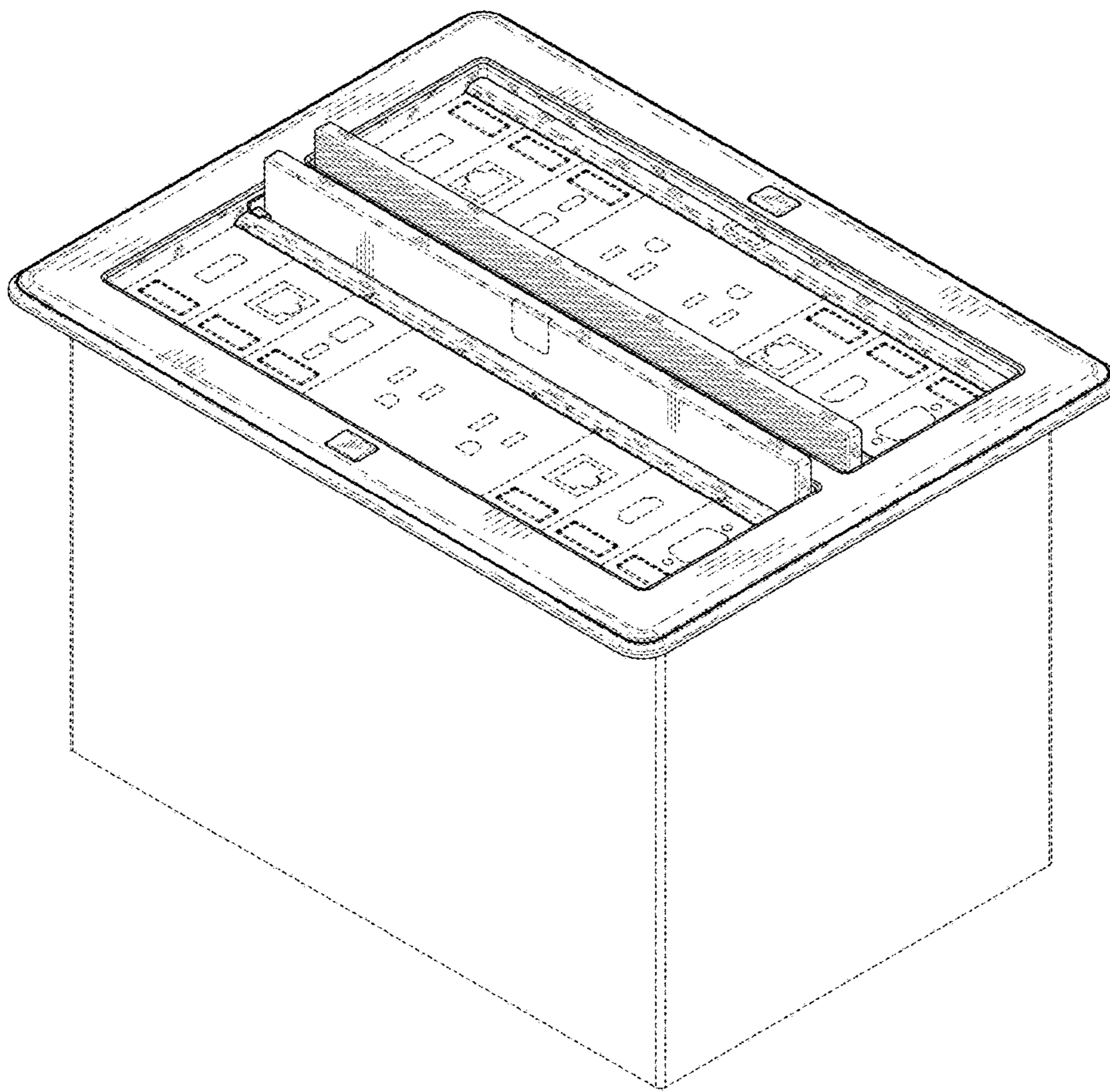


FIG. 7

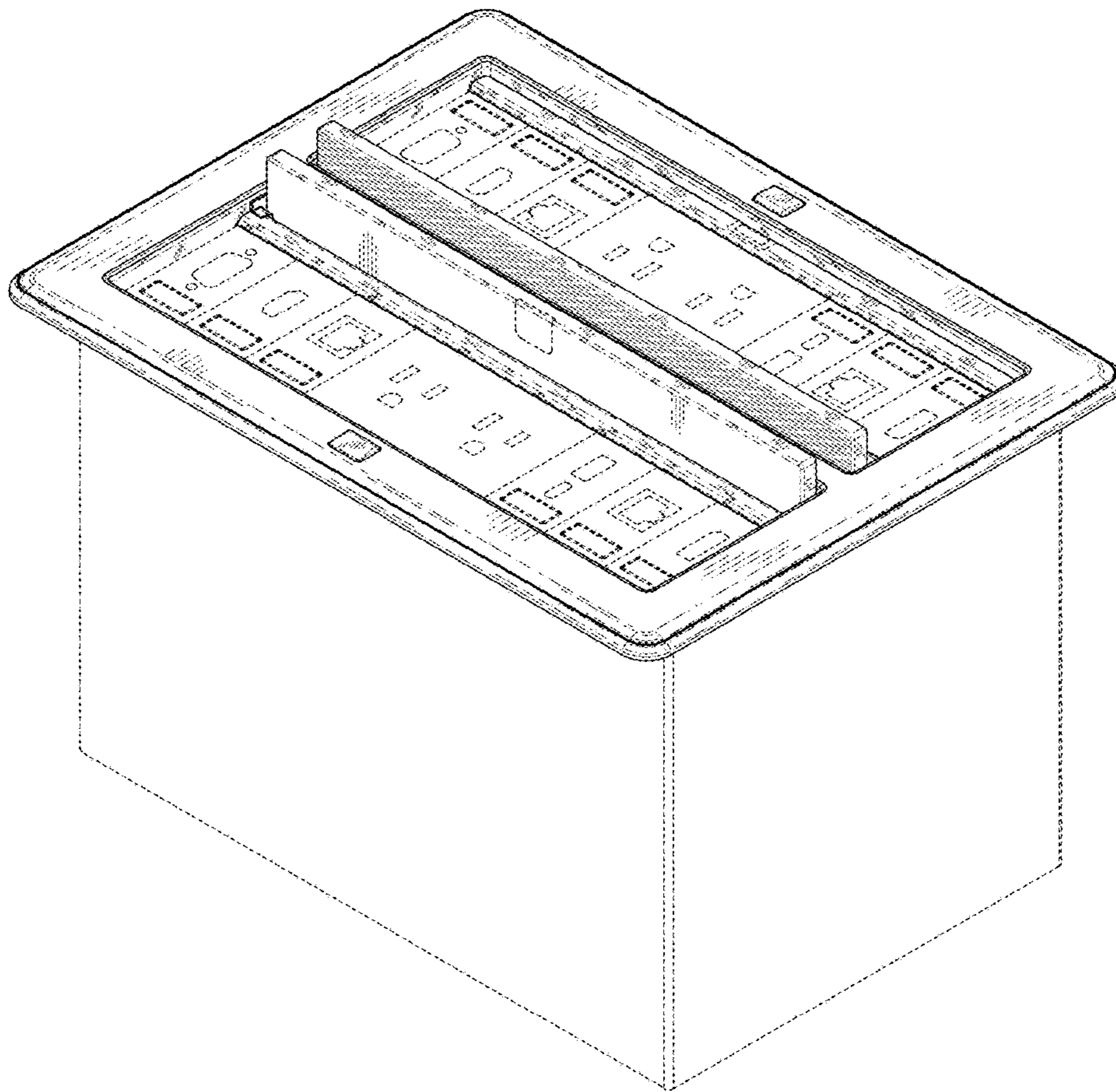


FIG. 8

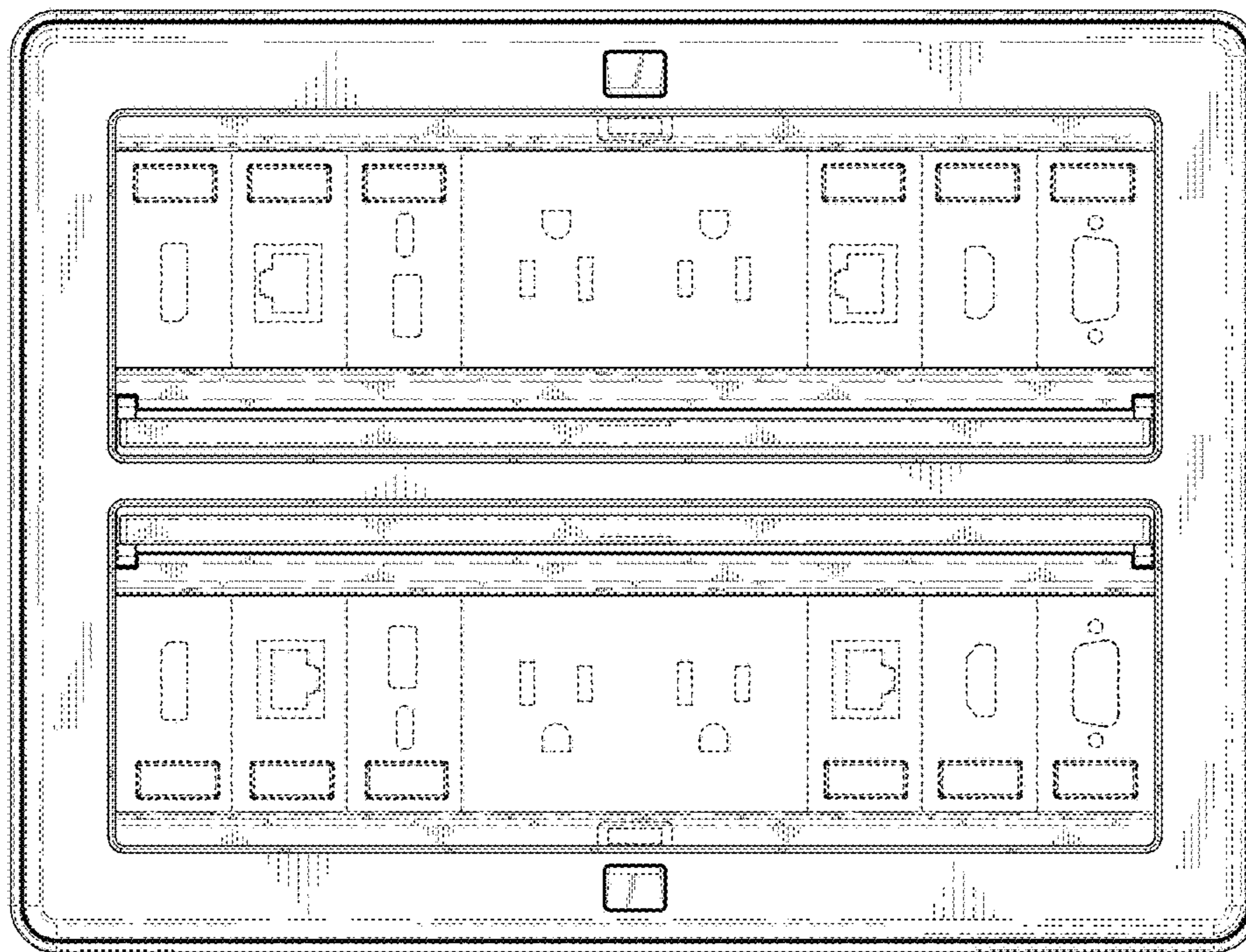


FIG. 9