



US00D858451S

(12) **United States Design Patent**  
**Jhun et al.**

(10) **Patent No.:** **US D858,451 S**  
(45) **Date of Patent:** **\*\* Sep. 3, 2019**

(54) **TABLETOP MEDIA CENTER**

(71) Applicant: **Crestron Electronics, Inc.**, Rockleigh, NJ (US)

(72) Inventors: **Sae Jhun**, New York, NY (US); **Wendy Feldstein**, Old Tappan, NJ (US)

(73) Assignee: **Crestron Electronics, Inc.**, Rockleigh, NJ (US)

(\*\*) Term: **15 Years**

(21) Appl. No.: **29/687,167**

(22) Filed: **Apr. 11, 2019**

**Related U.S. Application Data**

(63) Continuation-in-part of application No. 29/636,852, filed on Feb. 12, 2018.

(51) **LOC (12) Cl.** ..... **13-03**

(52) **U.S. Cl.**  
USPC ..... **D13/139.4**; D14/134; D6/642

(58) **Field of Classification Search**  
USPC ..... D13/107-108, 139.4-139.6, 162-164;  
D14/304-305, 307-308, 311, 434;  
(Continued)

(56) **References Cited**

**U.S. PATENT DOCUMENTS**

D176,176 S \* 11/1955 Dahlgren ..... D6/655.23  
3,373,703 A \* 3/1968 Barecki ..... A47B 21/06  
108/50.01

(Continued)

**OTHER PUBLICATIONS**

Furniture Integration, posted at AVolution AV, posting date Jul. 7, 2015. Site visited May 7, 2019. URL: (Year: 2015).\*

*Primary Examiner* — Kevin K Rudzinski

*Assistant Examiner* — Kathleen L Jones

(74) *Attorney, Agent, or Firm* — Crestron Electronics, Inc.

(57) **CLAIM**

The ornamental design for a tabletop media center, as shown and described.

**DESCRIPTION**

FIG. 1 shows a front-top perspective view of a tabletop media center with a top cover in a closed position, wherein the top cover includes a pattern on its top surface, according to a first embodiment.

FIG. 2 shows a top view of the tabletop media center with the top cover in a closed position according to the first embodiment.

FIG. 3 shows a front view of the tabletop media center with the top cover in a closed position according to the first embodiment.

FIG. 4 shows a rear view of the tabletop media center with the top cover in a closed position according to the first embodiment.

FIG. 5 shows a right side view of the tabletop media center with the top cover in a closed position according to the first embodiment.

FIG. 6 shows a left side view of the tabletop media center with the top cover in a closed position according to the first embodiment.

FIG. 7 shows a front-top perspective view of the tabletop media center with the top cover in an opened position according to the first embodiment.

FIG. 8 shows a rear-top perspective view of the tabletop media center with the top cover in an opened position according to the first embodiment.

FIG. 9 shows a top view of the tabletop media center with the top cover in an opened position according to the first embodiment.

FIG. 10 shows a front-top perspective view of a tabletop media center with a top cover in a closed position, wherein the top cover includes a pattern on its top surface, according to a second embodiment.

(Continued)

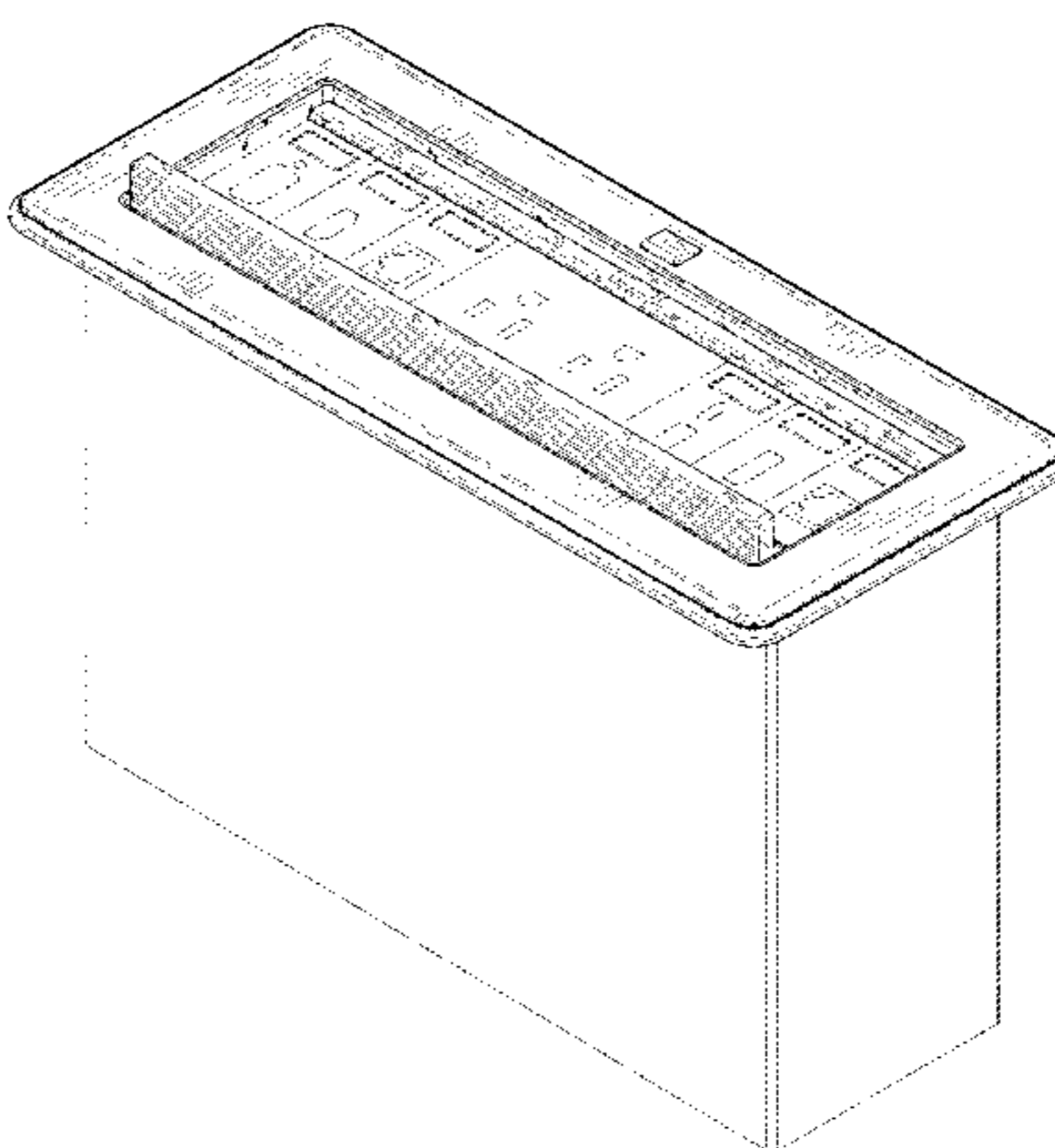
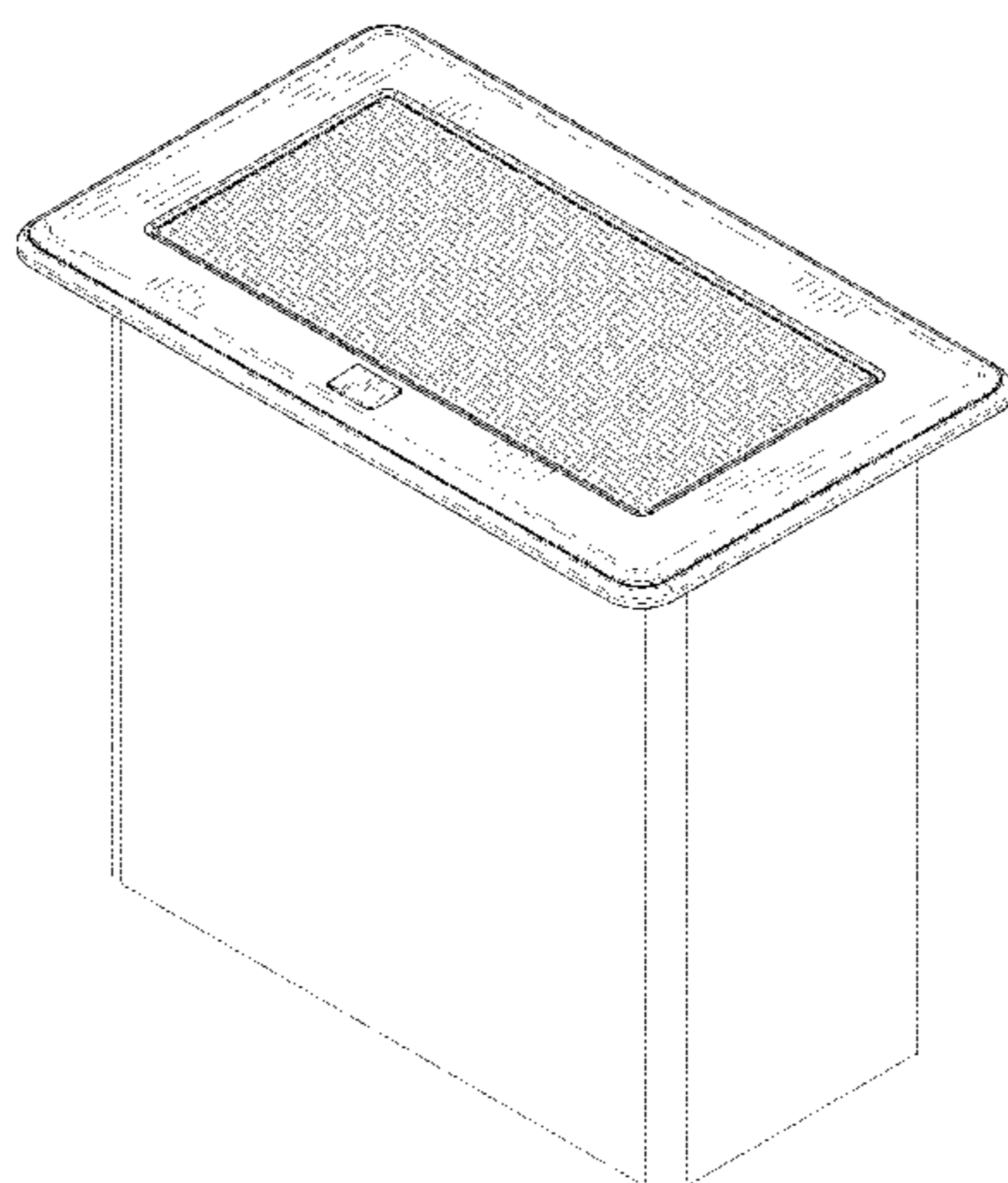


FIG. 11 shows a top view of the tabletop media center with the top cover in a closed position according to the second embodiment.

FIG. 12 shows a front view of the tabletop media center with the top cover in a closed position according to the second embodiment.

FIG. 13 shows a rear view of the tabletop media center with the top cover in a closed position according to the second embodiment.

FIG. 14 shows a right side view of the tabletop media center with the top cover in a closed position according to the second embodiment.

FIG. 15 shows a left side view of the tabletop media center with the top cover in a closed position according to the second embodiment.

FIG. 16 shows a front-top perspective view of the tabletop media center with the top cover in an opened position according to the second embodiment.

FIG. 17 shows a rear-top perspective view of the tabletop media center with the top cover in an opened position according to the second embodiment; and,

FIG. 18 shows a top view of the tabletop media center with the top cover in an opened position according to the second embodiment.

The broken lines in the figures depict portions of the tabletop media center that form no part of the claimed design.

**1 Claim, 18 Drawing Sheets**

(58) **Field of Classification Search**

USPC ..... D6/641-642, 655, 691.1; D9/422;  
D12/423  
CPC ..... A47B 21/06; A47B 2021/066; A47B  
2200/0082

See application file for complete search history.

(56)

**References Cited**

U.S. PATENT DOCUMENTS

D224,637	S *	8/1972	Ball	.....	D6/641
D275,913	S *	10/1984	Mulligan	.....	D6/301
D289,474	S *	4/1987	Underwood	.....	D6/642
D314,555	S *	2/1991	Brown, Jr.	.....	D13/164
D329,944	S *	10/1992	Longtin	.....	D12/423
D353,363	S *	12/1994	Toby	.....	D13/139.4
5,709,156	A *	1/1998	Gevaert	.....	A47B 21/06 108/26
D392,254	S *	3/1998	Gevaert	.....	H01R 13/447 361/641
D421,961	S *	3/2000	Muller	.....	D13/139.4
D503,296	S *	3/2005	Mason	.....	D6/642
D513,909	S *	1/2006	Bibi	.....	D6/691.1
D639,244	S *	6/2011	Byrne	.....	D13/139.4
D660,237	S *	5/2012	Byrne	.....	D13/139.4
D662,480	S *	6/2012	Daniel	.....	D14/125
D665,355	S *	8/2012	Byrne	.....	D13/139.4
D666,556	S *	9/2012	Byrne	.....	D13/139.4
D682,213	S *	5/2013	Byrne	.....	D13/139.4
D701,830	S *	4/2014	Edwards	.....	D13/107
D709,031	S *	7/2014	Byrne	.....	D13/139.4
D709,832	S *	7/2014	Byrne	.....	D13/139.4
D715,740	S *	10/2014	Byrne	.....	D13/139.4
D766,610	S *	9/2016	Johnson	.....	D6/406.1
D839,200	S *	1/2019	Lee	.....	D13/139.4
2005/0268823	A1 *	12/2005	Bakker	.....	A47B 21/06 108/50.02
2008/0277134	A1 *	11/2008	Jolly	.....	H02G 3/12 174/67
2012/0200989	A1 *	8/2012	Byrne	.....	H01R 13/447 361/641
2014/0124641	A1 *	5/2014	Kassanoff	.....	A47B 17/04 248/447

\* cited by examiner

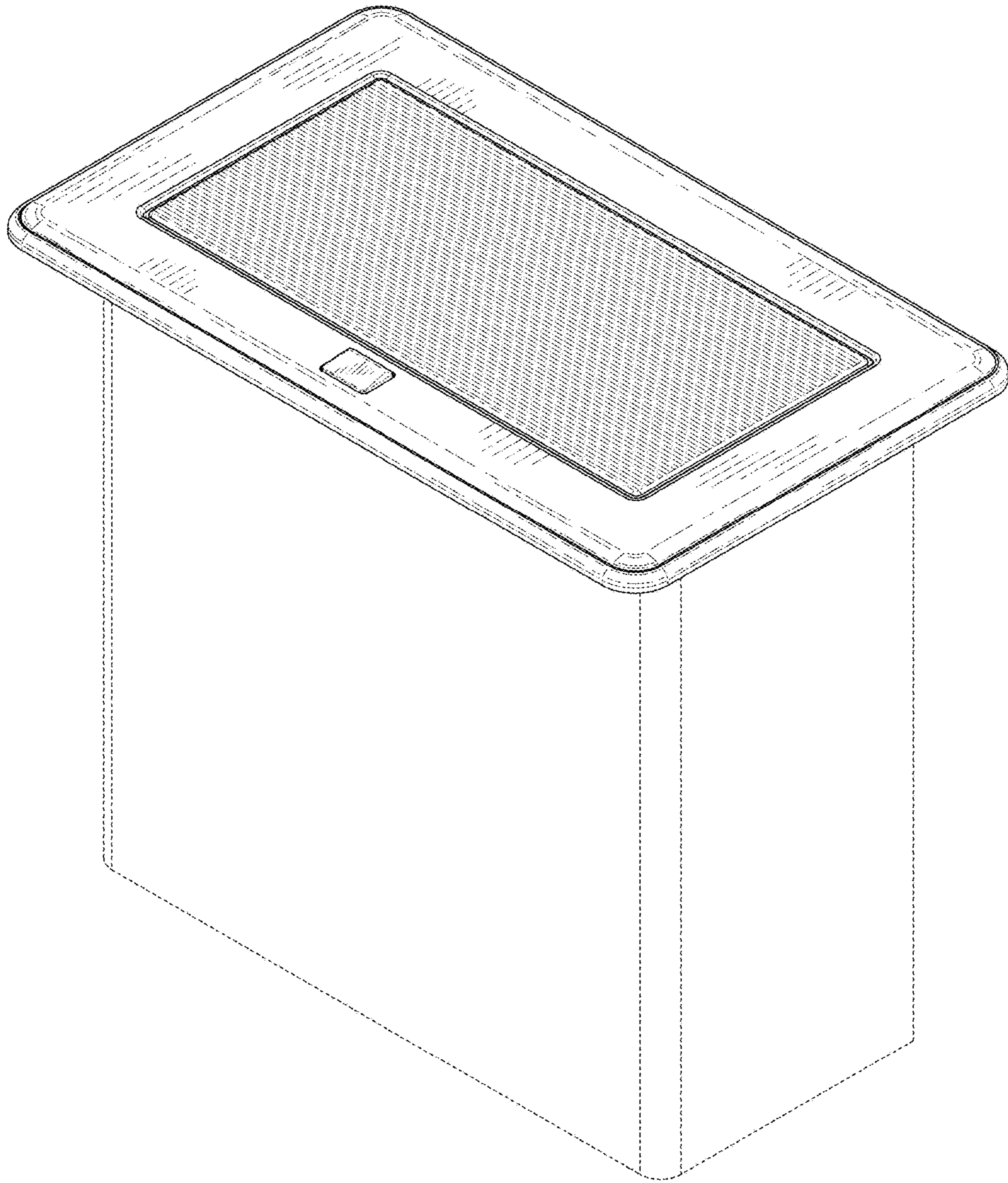


FIG. 1

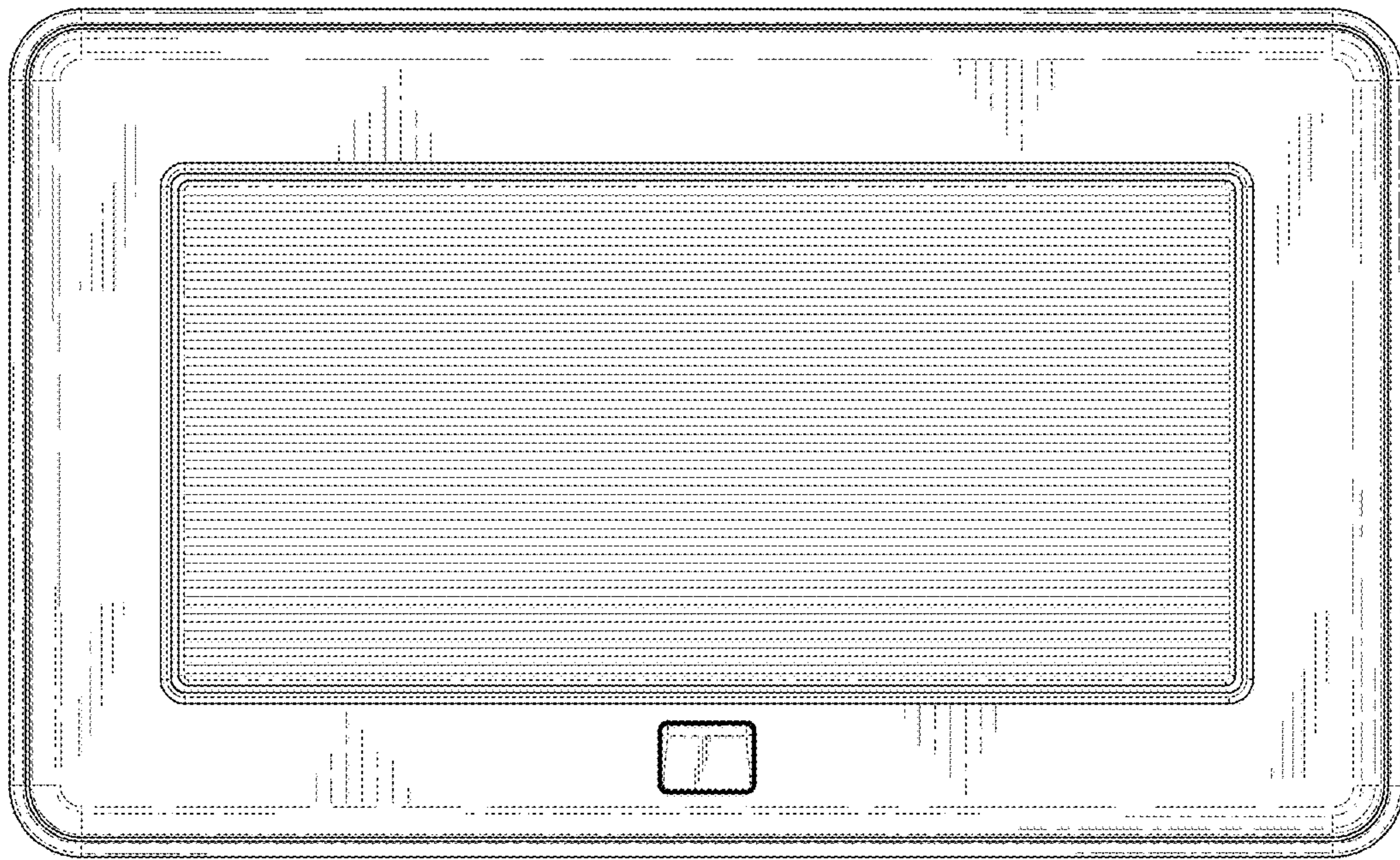


FIG. 2

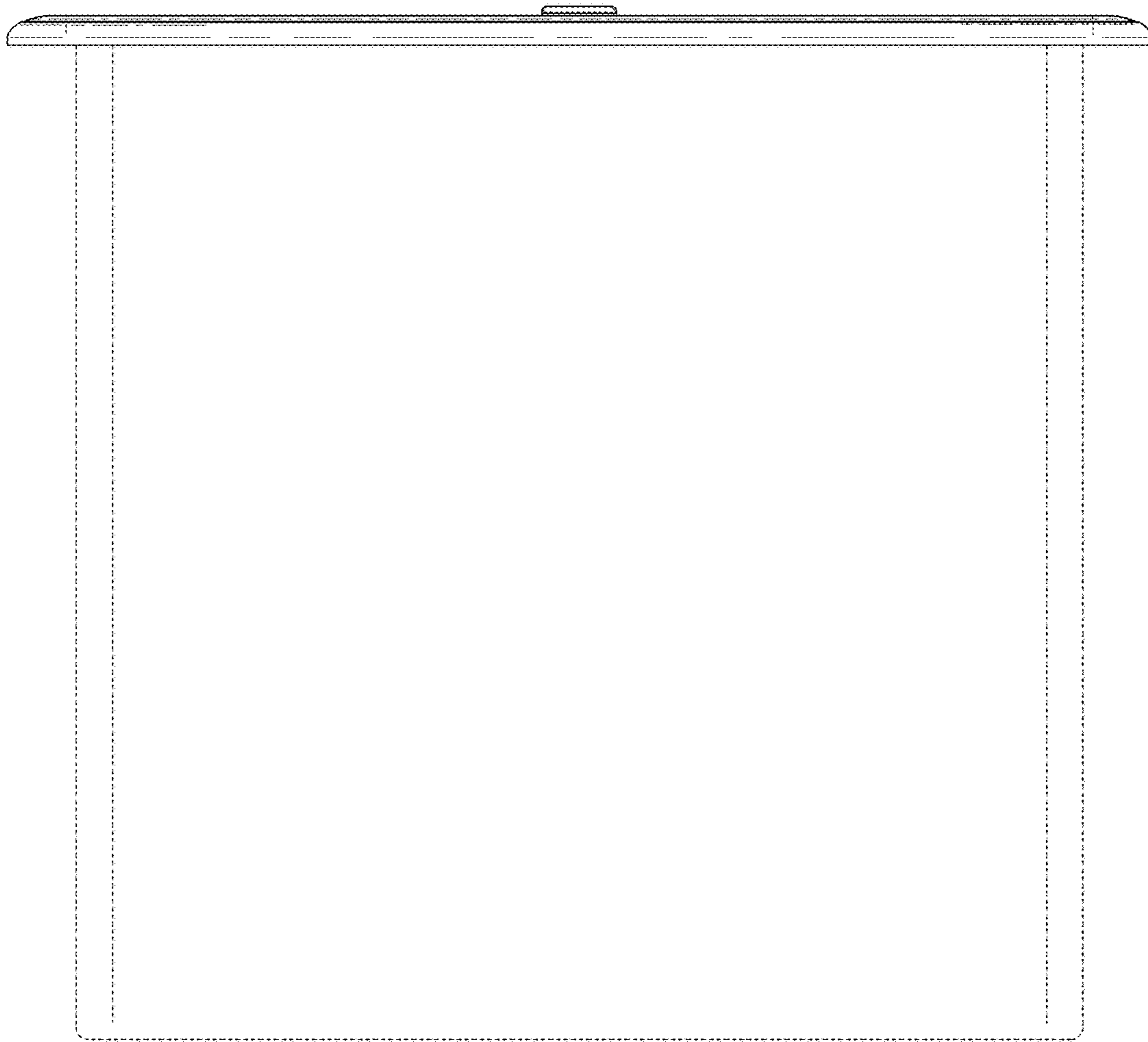


FIG. 3

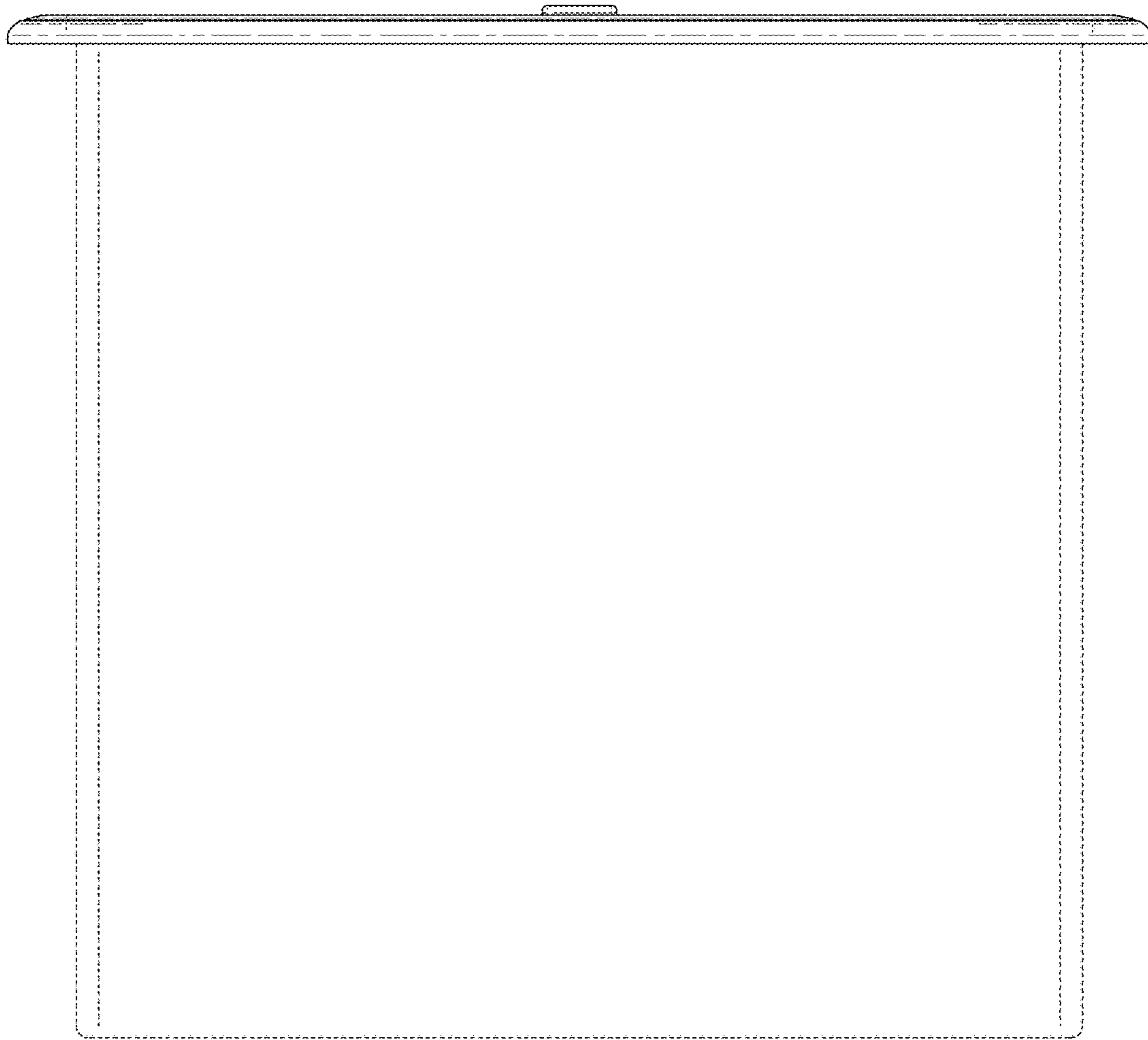
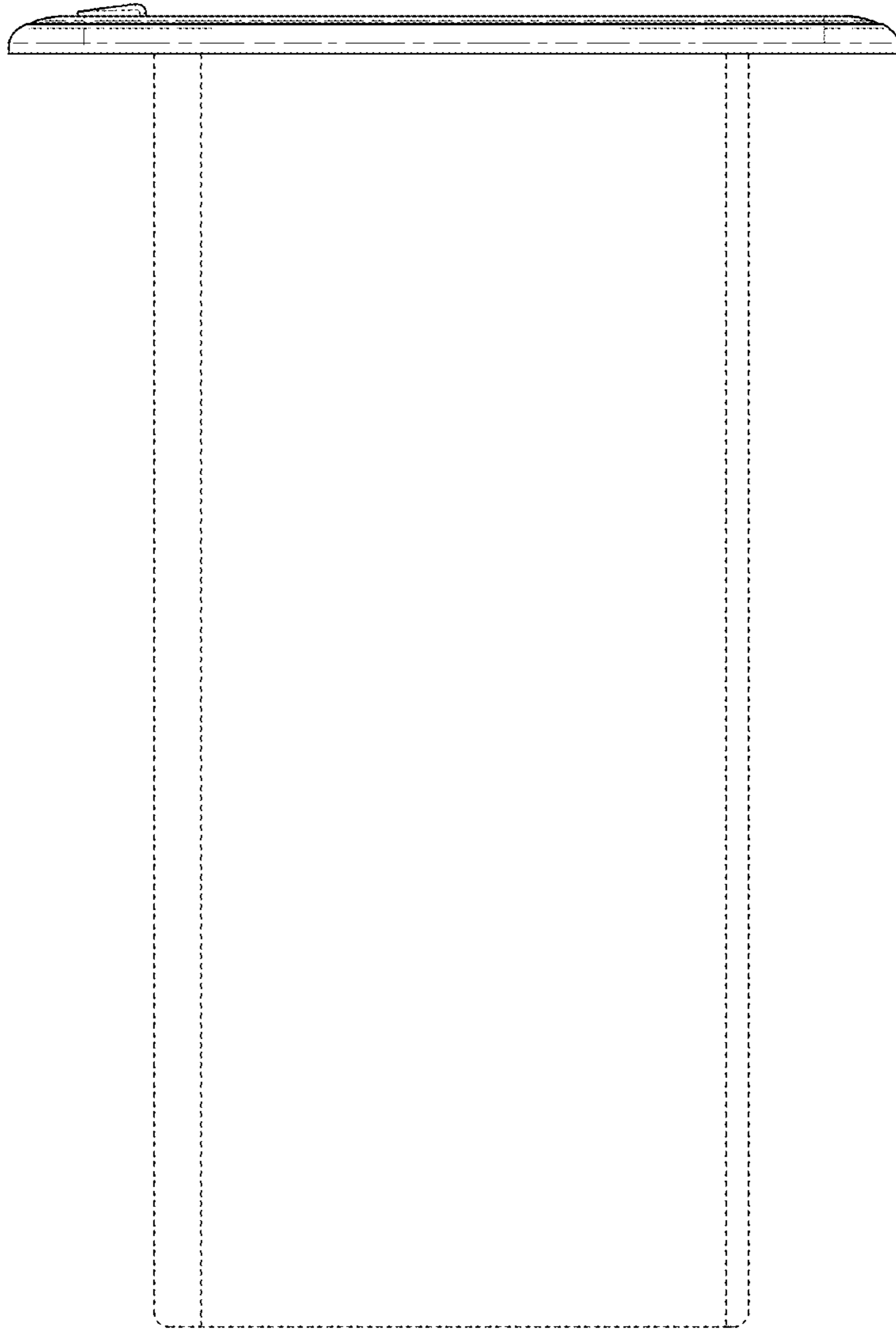
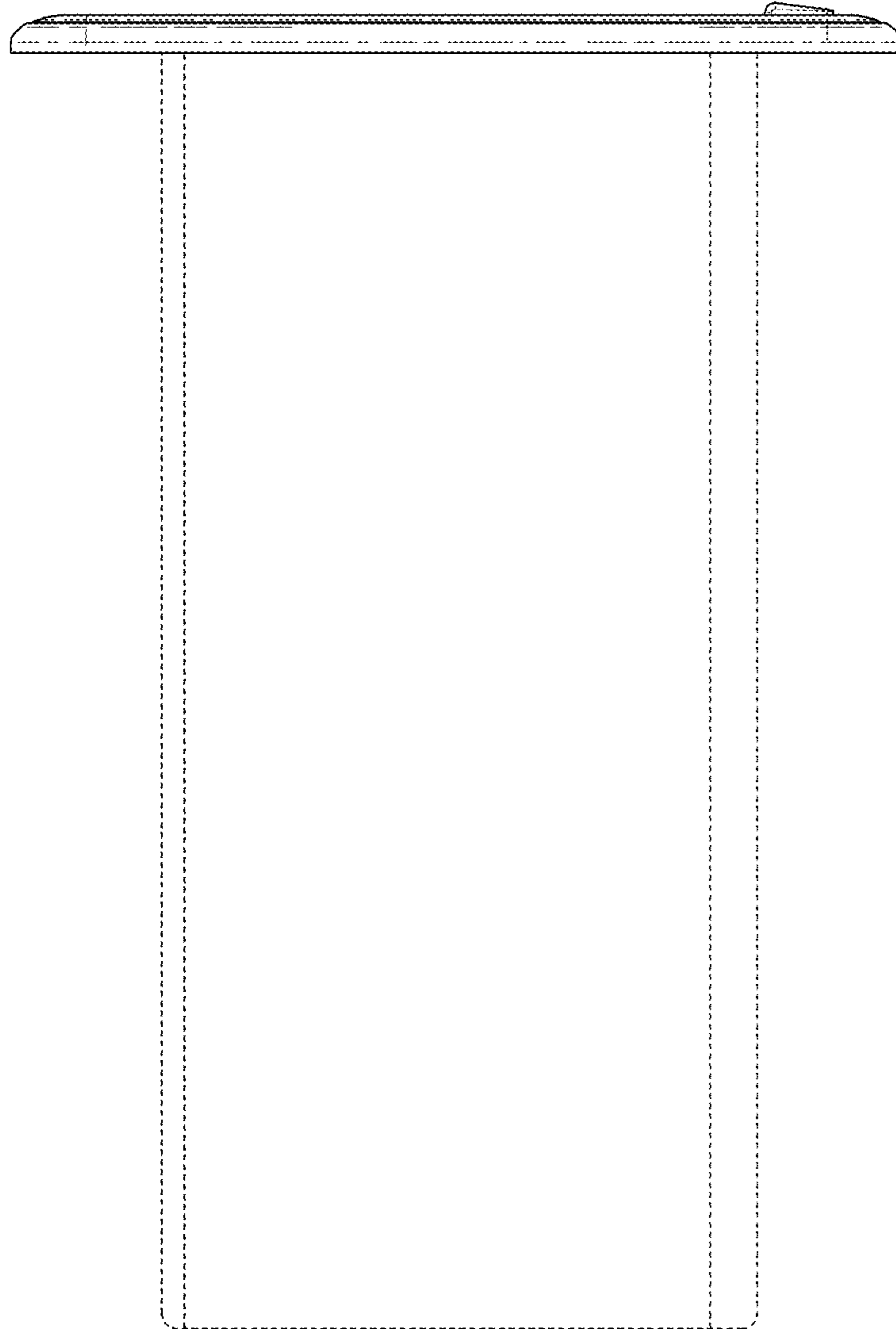


FIG. 4



*FIG. 5*



*FIG. 6*



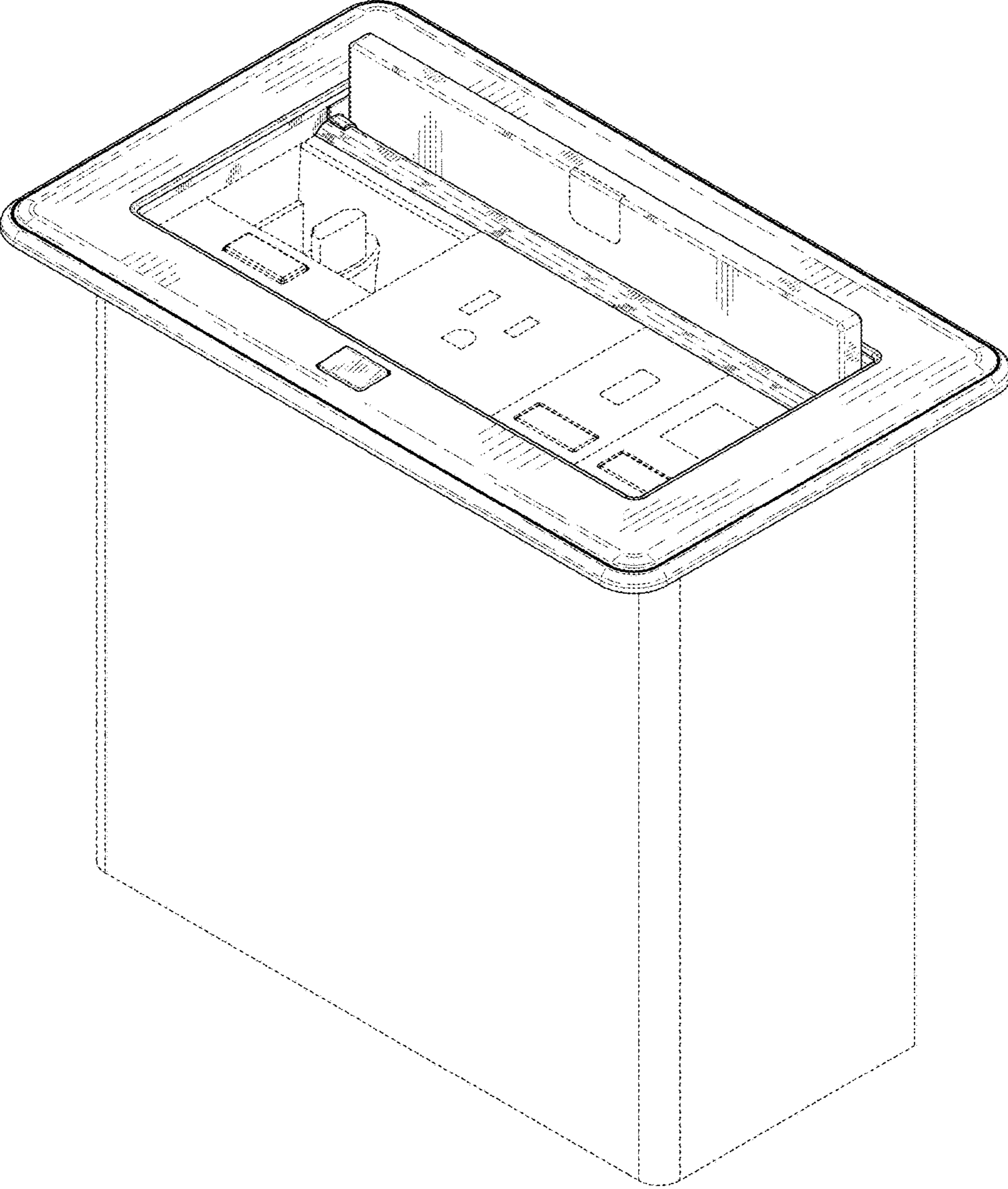


FIG. 7

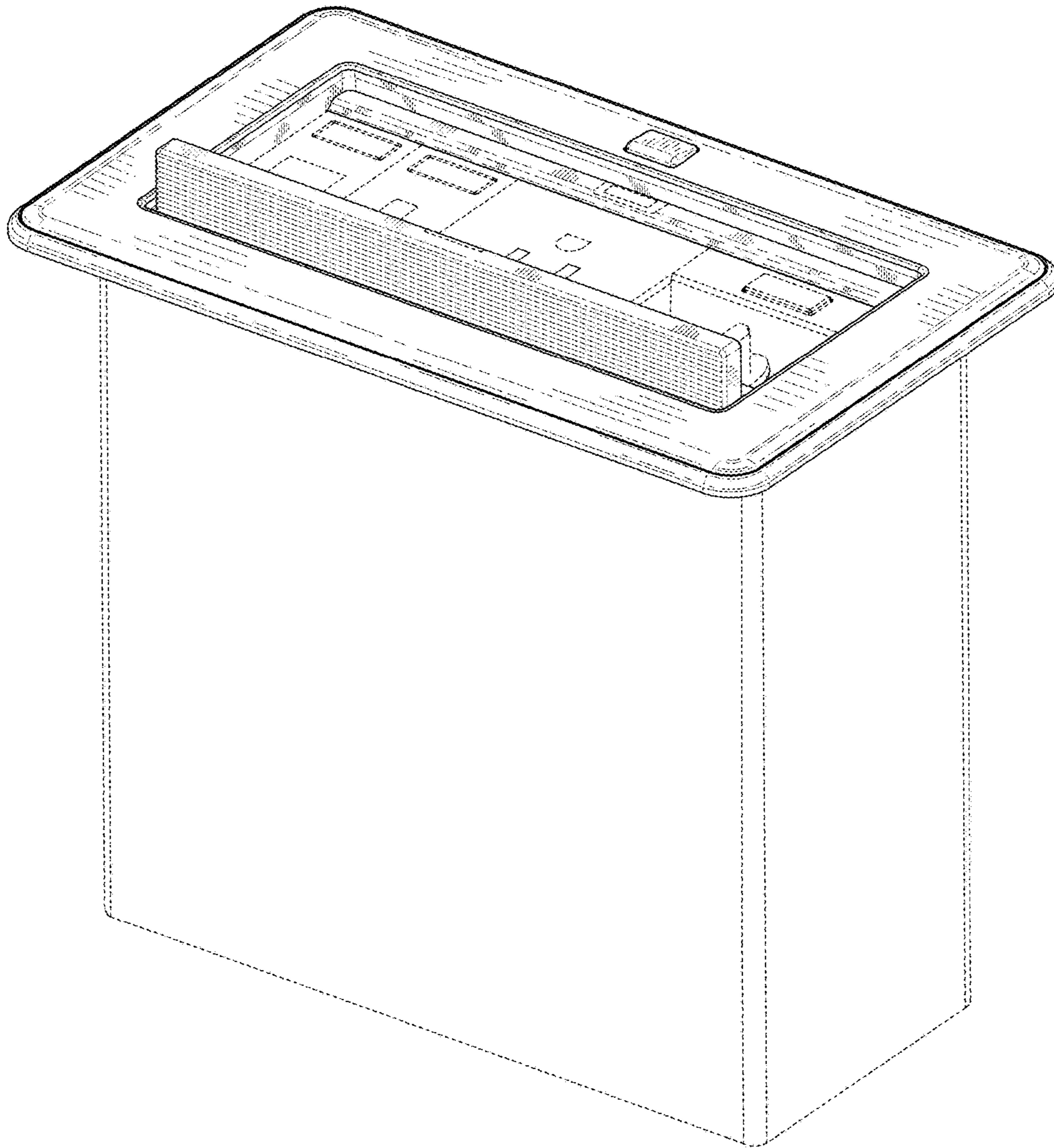


FIG. 8

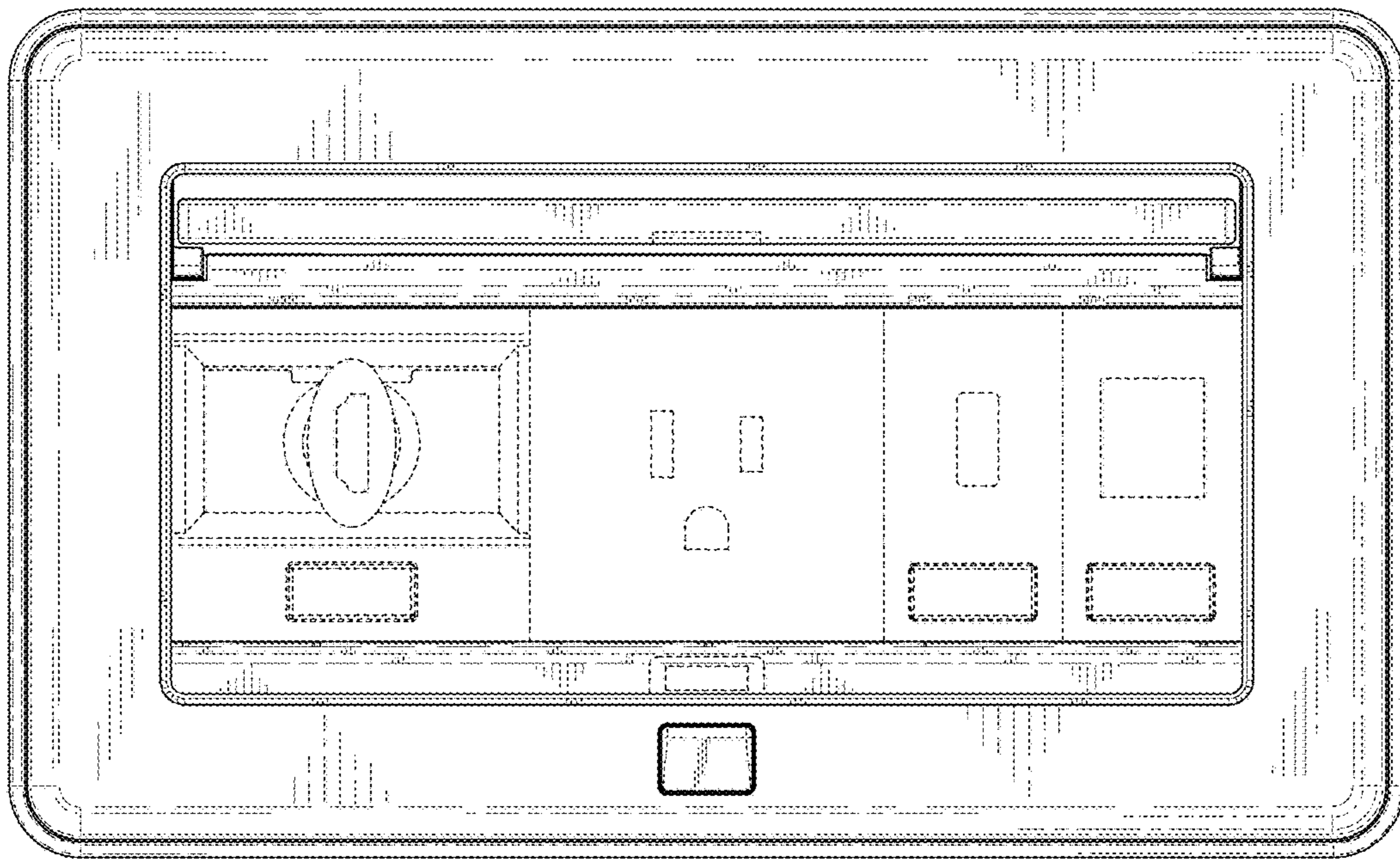


FIG. 9

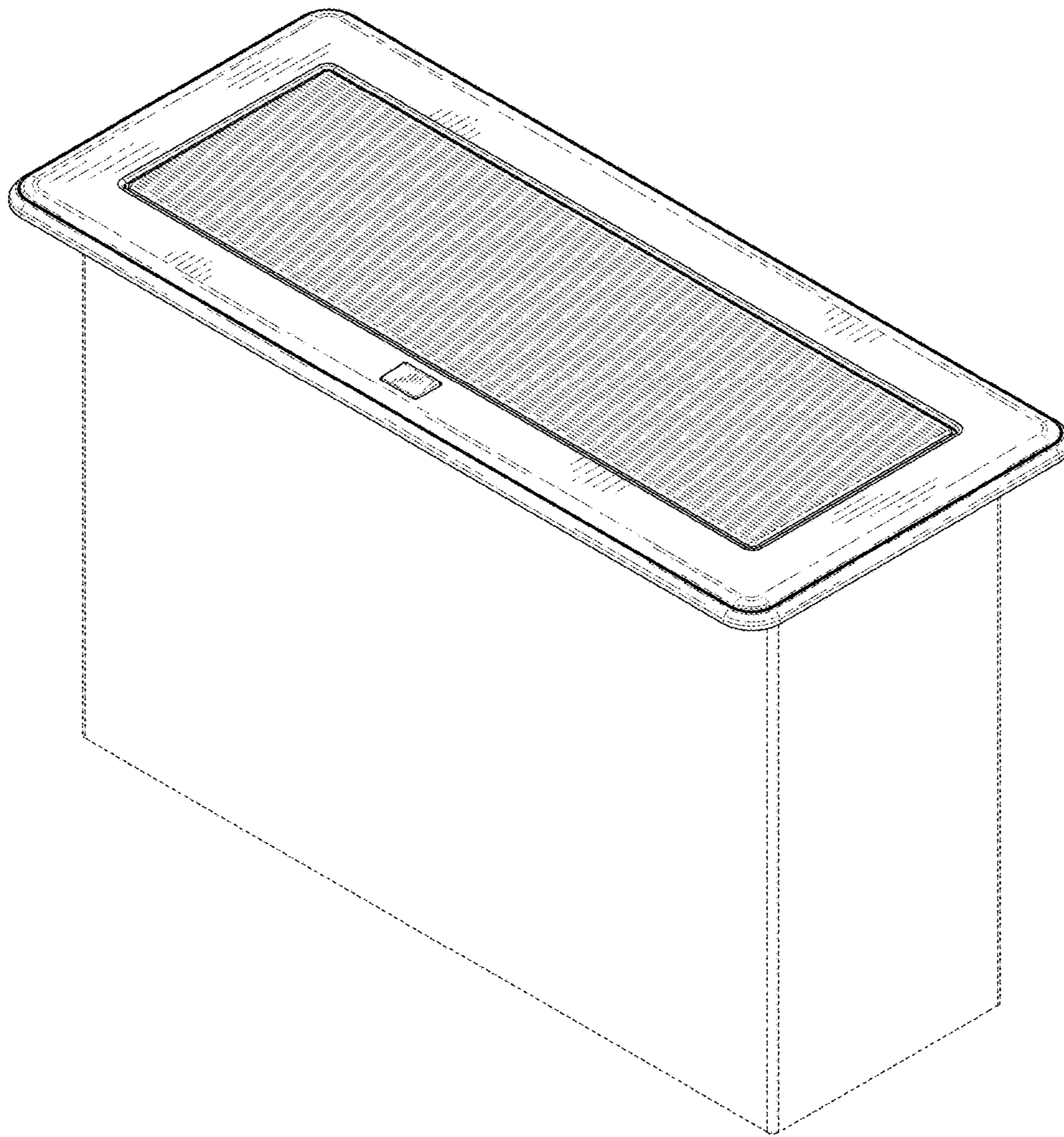


FIG. 10

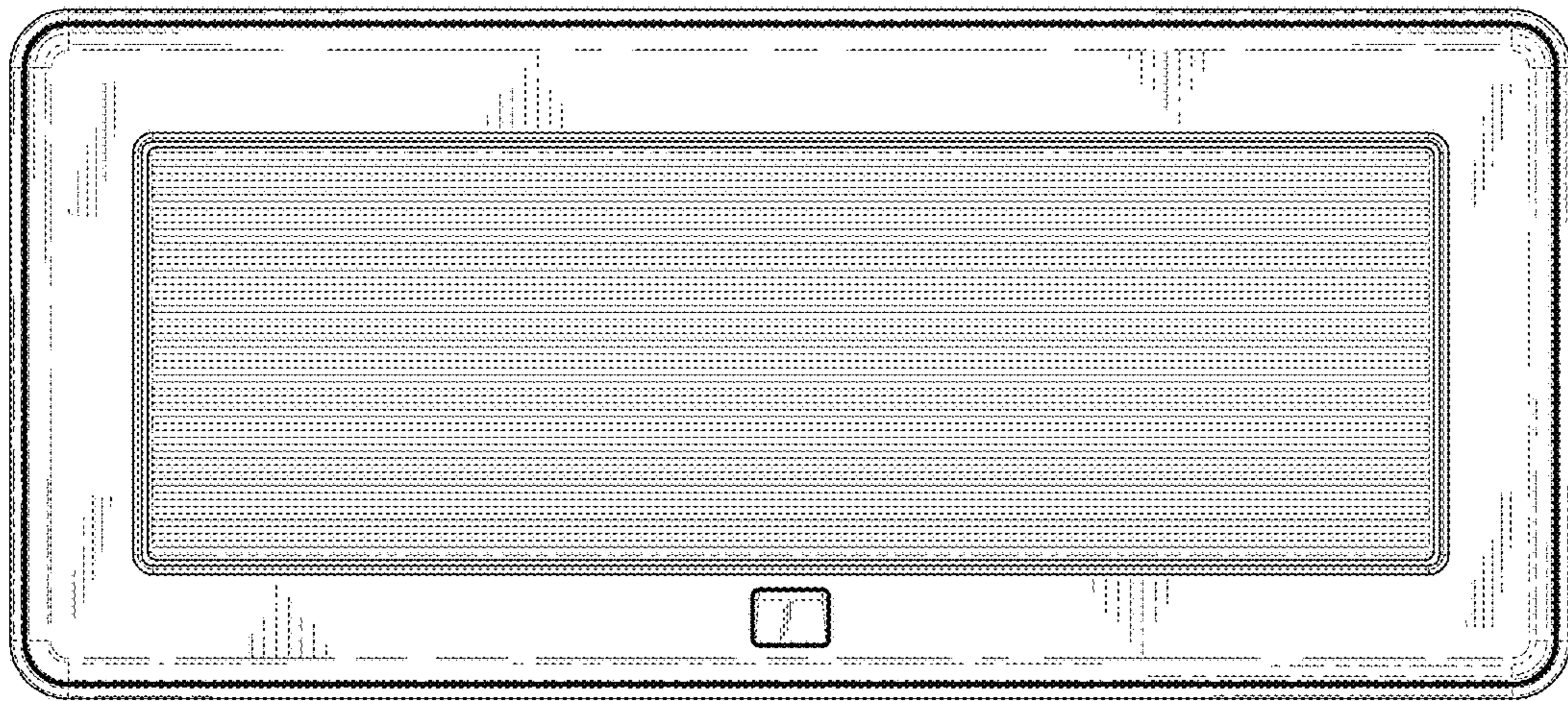


FIG. 11

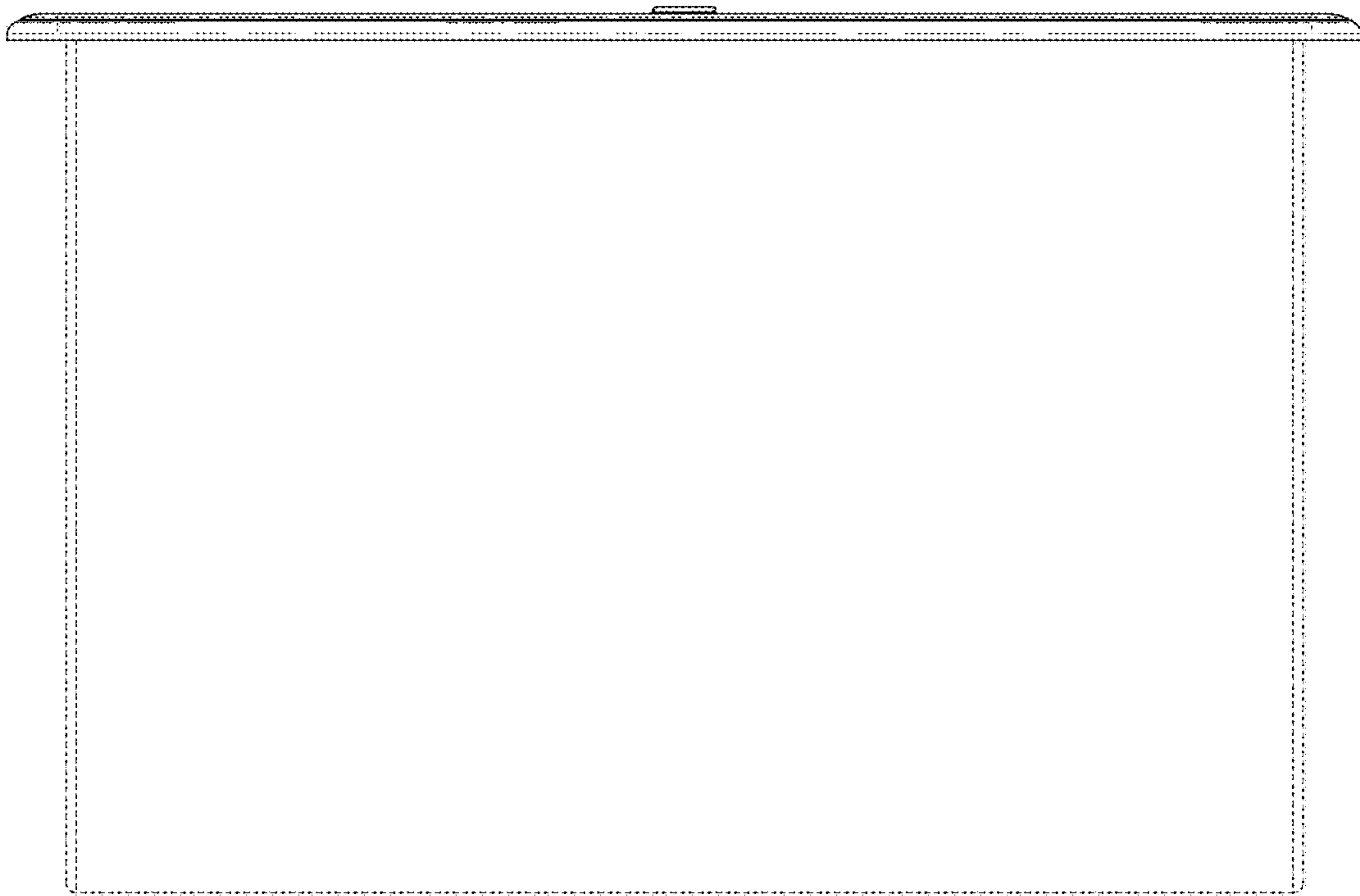
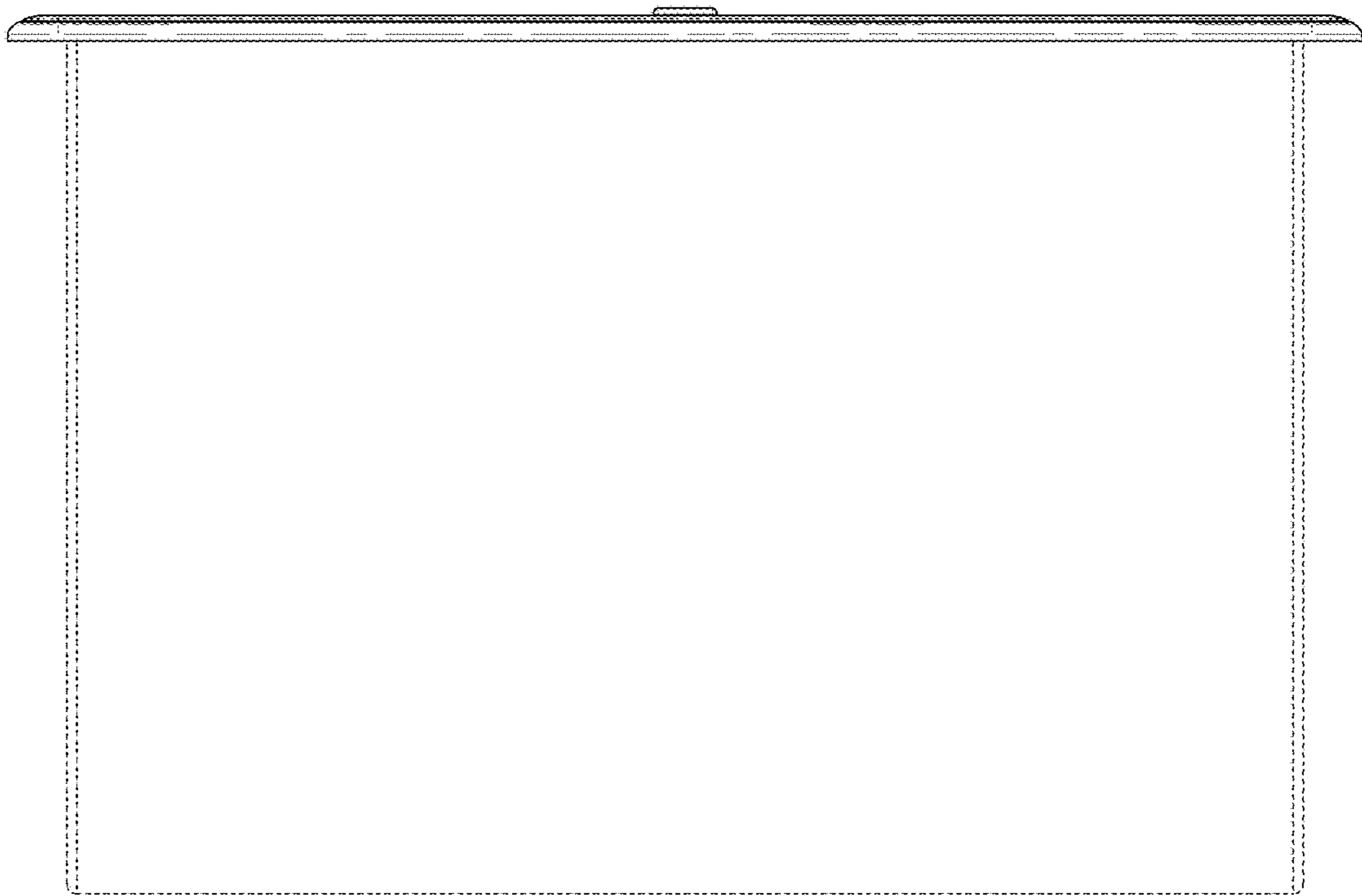
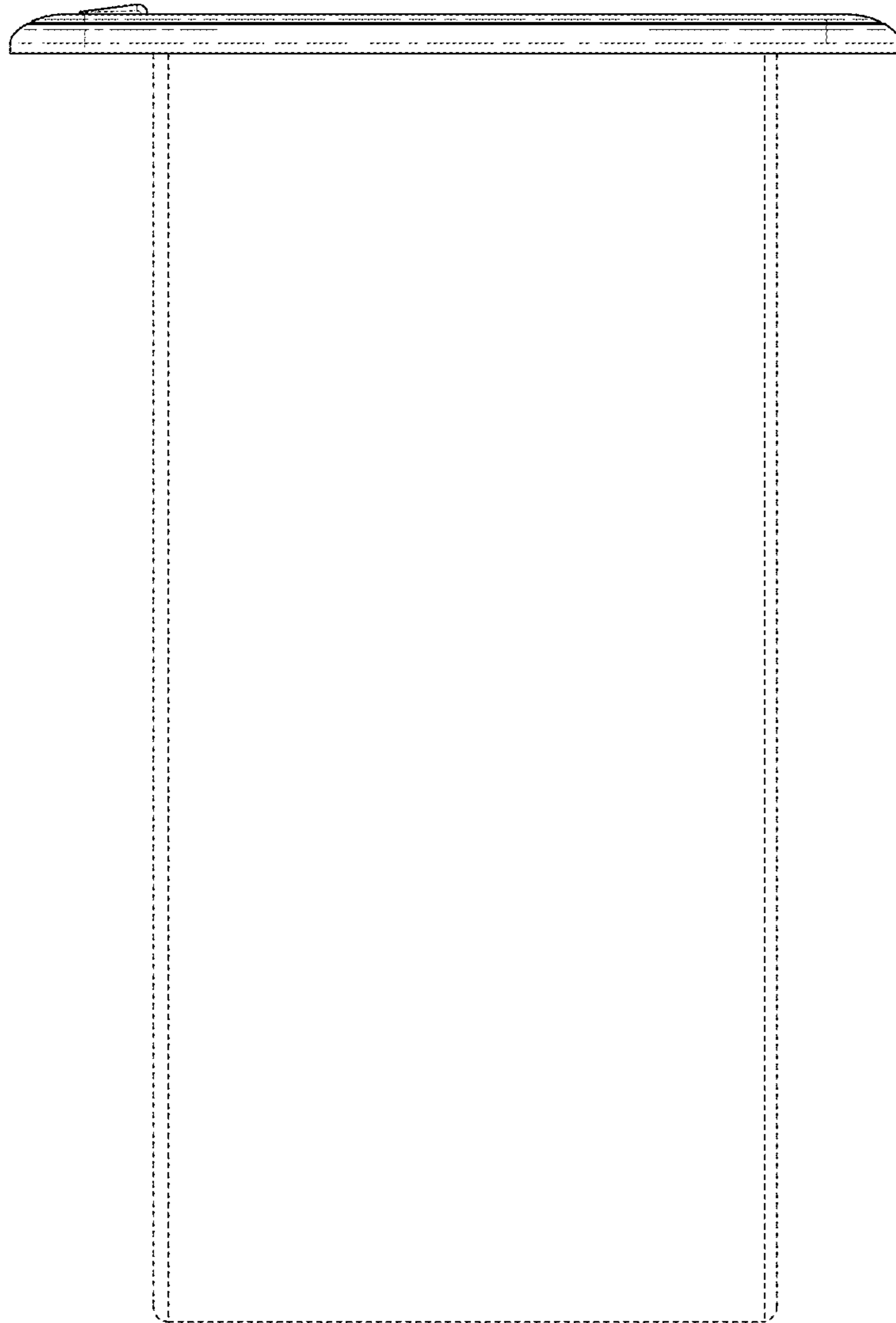


FIG. 12

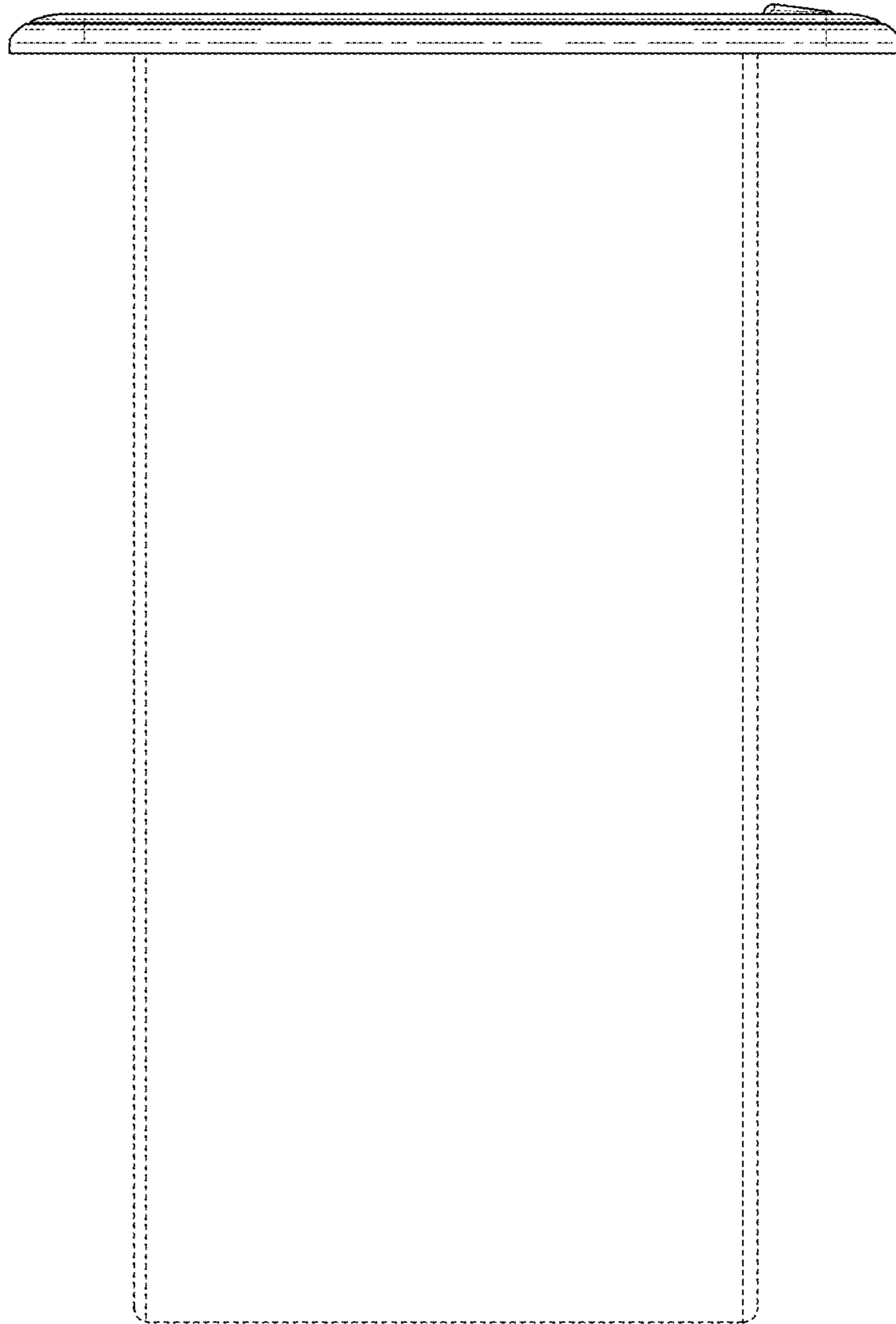


*FIG. 13*



*FIG. 14*





*FIG. 15*

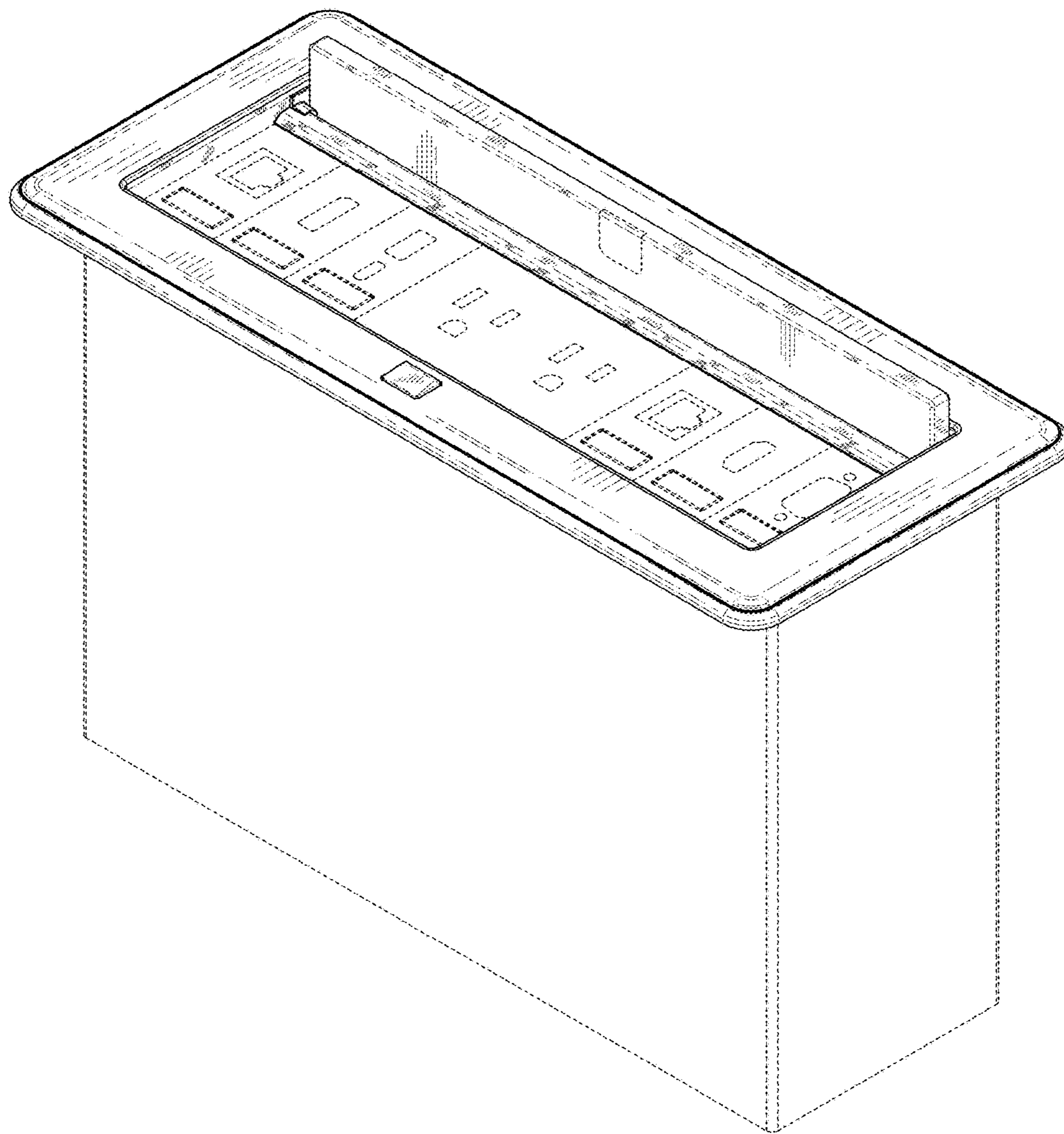


FIG. 16

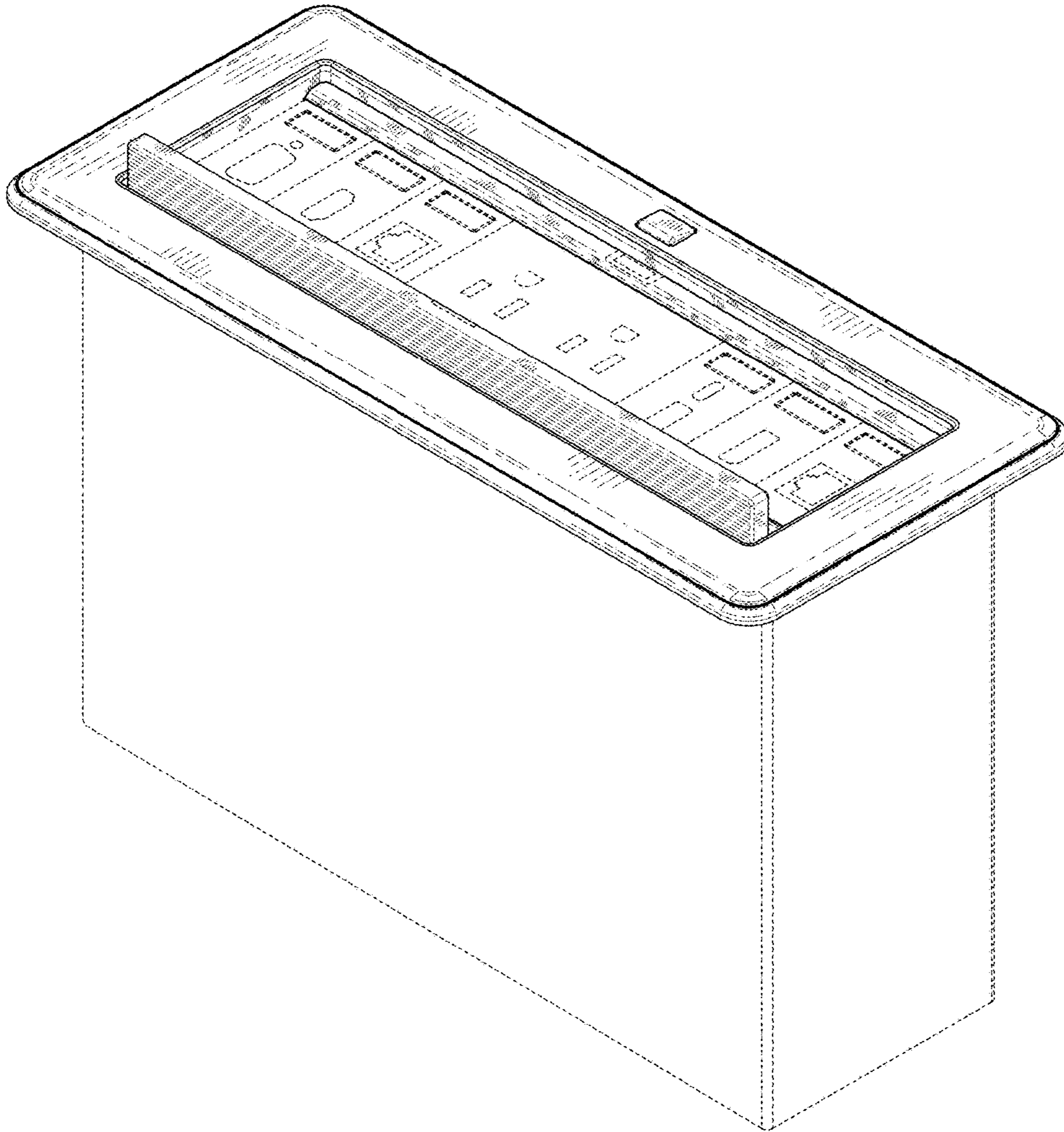


FIG. 17

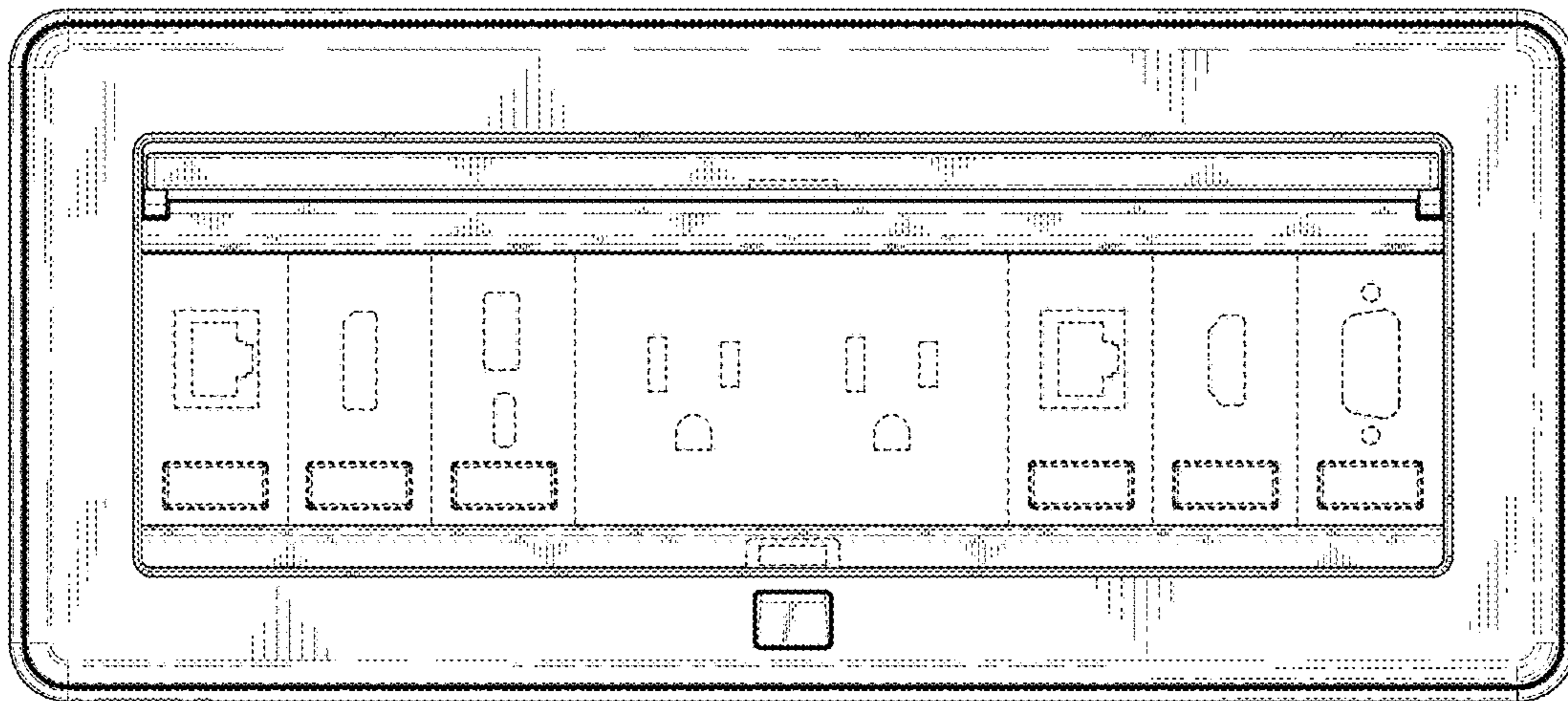


FIG. 18