



US00D858450S

(12) **United States Design Patent**
Jhun et al.

(10) **Patent No.:** **US D858,450 S**
(45) **Date of Patent:** **** Sep. 3, 2019**

(54) **TABLETOP MEDIA CENTER**

- (71) Applicant: **Crestron Electronics, Inc.**, Rockleigh, NJ (US)
- (72) Inventors: **Sae Jhun**, New York, NY (US); **Wendy Feldstein**, Old Tappan, NJ (US)
- (73) Assignee: **Crestron Electronics, Inc.**, Rockleigh, NJ (US)
- (**) Term: **15 Years**
- (21) Appl. No.: **29/636,852**
- (22) Filed: **Feb. 12, 2018**
- (51) **LOC (12) Cl.** **13-03**
- (52) **U.S. Cl.**
USPC **D13/139.4; D14/134; D6/642**
- (58) **Field of Classification Search**
USPC D13/107-108, 139.4-139.6, 162-164;
D14/304-305, 307-308, 311, 434;
D6/641-642, 655, 691.1; D9/422;
D12/423
CPC A47B 21/06; A47B 2021/066; A47B
2200/0082
See application file for complete search history.

(56) **References Cited**

U.S. PATENT DOCUMENTS

D176,176 S	*	11/1955	Dahlgren	D6/655.23
D224,637 S	*	8/1972	Ball	D6/641
D275,913 S	*	10/1984	Mulligan	D6/301
D289,474 S	*	4/1987	Underwood	D6/642
D314,555 S	*	2/1991	Brown, Jr.	D13/164
D329,944 S	*	10/1992	Longtin	D12/423
D353,363 S	*	12/1994	Toby	D13/139.4
D392,254 S	*	3/1998	Gevaert	D13/139.4
D421,961 S	*	3/2000	Muller	D13/139.4
6,046,405 A		4/2000	Obermann et al.		

(Continued)

OTHER PUBLICATIONS

Furniture Integration, posted at AVolution AV, posting date Jul. 7, 2015. Site visited May 7, 2019. URL: <http://web.archive.org/web/20150707213359/http://www.avolutionav.com/solutions/furniture-integration/> (Year: 2015).*

(Continued)

Primary Examiner — Kevin K Rudzinski

Assistant Examiner — Kathleen L Jones

(74) *Attorney, Agent, or Firm* — Crestron Electronics, Inc.

(57) **CLAIM**

The ornamental design for a tabletop media center, as shown and described.

DESCRIPTION

FIG. 1 shows a front-top perspective view of a tabletop media center with the top cover in a closed position, wherein the top cover includes a pattern on its top surface.

FIG. 2 shows a top view of the tabletop media center with the top cover in a closed position.

FIG. 3 shows a front view of the tabletop media center with the top cover in a closed position.

FIG. 4 shows a rear view of the tabletop media center with the top cover in a closed position.

FIG. 5 shows a left side view of the tabletop media center with the top cover in a closed position.

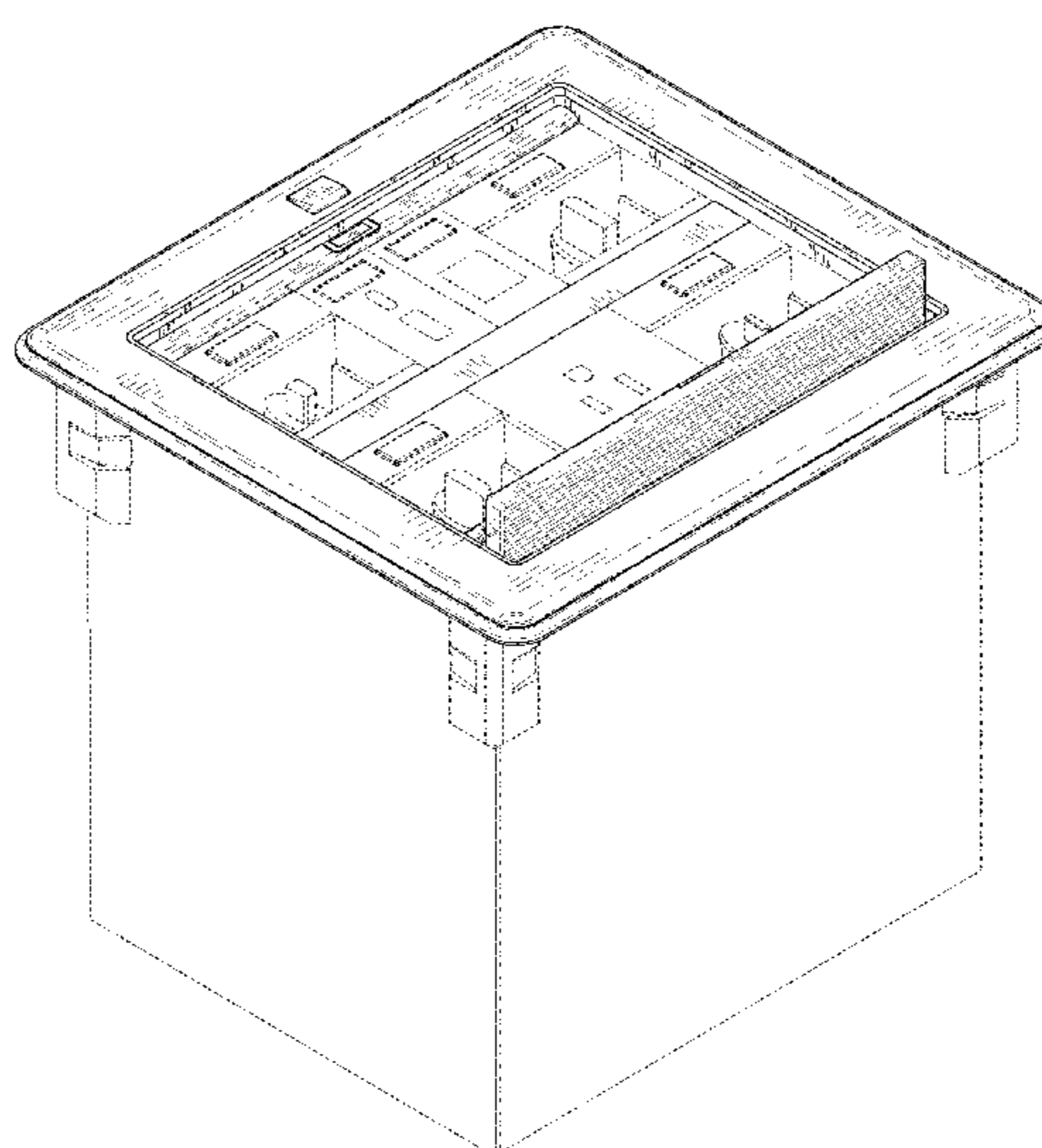
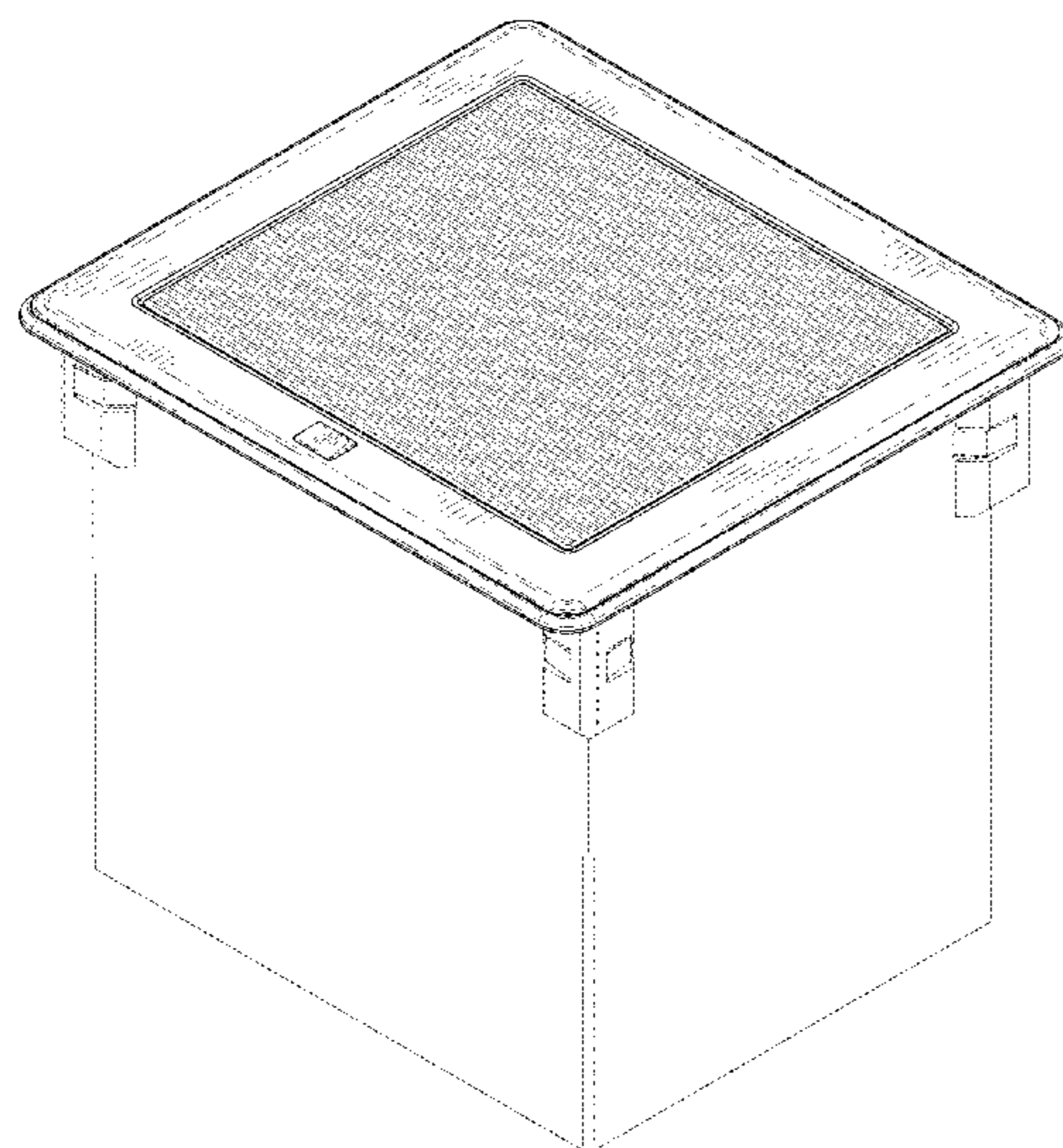
FIG. 6 shows a right side view of the tabletop media center with the top cover in a closed position.

FIG. 7 shows a front-top perspective view of the tabletop media center with the top cover in an opened position.

FIG. 8 shows a rear-top perspective view of the tabletop media center with the top cover in an opened position; and, FIG. 9 shows a top view of the tabletop media center with the top cover in an opened position.

The broken lines in the figures depict portions of the tabletop media center that form no part of the claimed design.

1 Claim, 9 Drawing Sheets



(56)

References Cited

U.S. PATENT DOCUMENTS

6,162,071 A 12/2000 Muller
D460,736 S 7/2002 Pincek et al.
D465,201 S 11/2002 Gershfeld
D473,525 S 4/2003 Pincek et al.
6,802,577 B2 10/2004 Gershfeld
D503,296 S * 3/2005 Mason D6/642
6,942,501 B2 9/2005 Kissinger et al.
D512,964 S 12/2005 Kissinger et al.
D513,493 S 1/2006 Feldstein et al.
D513,909 S * 1/2006 Bibi D6/691.1
D516,513 S 3/2006 Kissinger et al.
D526,961 S 8/2006 Kissinger et al.
D537,039 S 2/2007 Pincek
D537,785 S 3/2007 Pincek
7,312,393 B2 12/2007 McCarthy et al.
D569,863 S 5/2008 Feldstein et al.
7,414,193 B1 8/2008 Le
7,541,539 B2 6/2009 Le
7,667,145 B2 2/2010 Dinh et al.
D626,542 S 11/2010 Libman et al.
D628,097 S 11/2010 Libman et al.
D628,098 S 11/2010 Libman et al.
D628,099 S 11/2010 Libman et al.
D638,314 S 5/2011 Libman et al.
D638,315 S 5/2011 Libman et al.
D639,680 S 6/2011 Libman et al.
D639,681 S 6/2011 Rodriguez et al.
D640,577 S 6/2011 Libman et al.
D640,939 S 7/2011 Libman et al.
D640,940 S 7/2011 Libman et al.
7,989,710 B2 8/2011 Hansen et al.
D657,315 S 4/2012 Feldstein et al.
D660,237 S * 5/2012 Byrne D13/139.4
D662,480 S * 6/2012 Daniel D14/125
D664,050 S 7/2012 Rodriguez et al.
D678,786 S 3/2013 Rodriguez et al.
D686,992 S 7/2013 Eisen
D701,830 S * 4/2014 Edwards D13/107
D709,031 S * 7/2014 Byrne D13/139.4
D709,832 S * 7/2014 Byrne D13/139.4
D715,740 S * 10/2014 Byrne D13/139.4
8,943,978 B2 2/2015 Soper et al.
D734,729 S 7/2015 Chaloupecky et al.
9,257,776 B2 2/2016 Kramer
9,309,087 B2 4/2016 Laube et al.
9,425,563 B2 8/2016 Laube et al.
D766,610 S * 9/2016 Johnson D6/406.1
9,553,413 B2 1/2017 Laube et al.
9,680,262 B2 6/2017 Laube et al.
9,706,833 B2 7/2017 Newhouse et al.
D839,200 S * 1/2019 Lee D13/139.4
2003/0070592 A1 4/2003 Grasse et al.
2005/0268823 A1 * 12/2005 Bakker A47B 21/06
108/50.02
2009/0165679 A1 7/2009 Bakker et al.
2014/0124641 A1 * 5/2014 Kassanoff A47B 17/04
248/447
2014/0265753 A1 9/2014 Gershfeld et al.
2014/0374531 A1 12/2014 Laube et al.
2017/0093097 A1 3/2017 Laube et al.

OTHER PUBLICATIONS

AMX, HydraPort: Connecting the Perfect Meeting, Product Guide, Rev. V3 (Sep. 8, 2014), available at pdf.archiexpo.com/pdf/amx/hydraport/51274-177337.html.

Arthur Holm, Albiral Display Solutions SL, Catalog, EN2016-2017, available at www.arthurholm.com/wp-content/uploads/2017/03/AH_Catalogue_2017.pdf.
Bachmann Electrical Engineering Ltd., Facility Solutions, System solutions for Office, conference and meeting rooms, Jun. 2016, available at genproel-el.gr/data/documents/2017.pdf.
Crestron, Crestron FlipTops, D4520-C_201410, 2014, available at www.crestron.com/downloads/pdf/product_brochures/crestron_fliptops_brochure.pdf.
Extron, Cable Cubby 202, 2014, available at www.extron.com/download/files/brochure/CC_202_Printable_A4.pdf.
Extron, Cable Cubby 500, 2014, available at www.extron.com/download/files/brochure/CC_500_Printable_A4.pdf.
Extron, Cable Cubby 700, 2014, available at www.extron.com/download/files/brochure/CC_700_Printable_A4.pdf.
Extron, Cable Cubby 1200, 2014, available at www.extron.com/download/files/brochure/CC_1200_Printable_letter_size.pdf.
Extron, Cable Cubby 1400, 2014, available at www.extron.com/download/files/brochure/CC_1400_Printable_letter_size.pdf.
Extron, Cable Cubby Series 2, Mar. 2016, 68-2604-01, Rev. C, available at www.extron.com/download/files/brochure/cable_cubby_series_2_verA4.pdf.
Extron Catalog, AAP—Architectural Adapter Plates, 2012 Product Catalog, available at www.extron.com/download/files/general/aaps_12cat_en.pdf.
FSR Inc., T6 Flex, LIT1434A, 2015, available at fsrinc.com/documents/spec-sheet/9187-lit1434c-t6-flex-spec-sheet-pdf/file.
FSR Inc., Table Boxes, LIT1187H, 2014, available at www.novotech.com.mx/wp-content/uploads/2016/03/1187H-Table-Box-Brochure.pdf.
Herman Miller, Inc., Logic Power Access Solutions, 2015, available at www.hermanmiller.com/content/dam/hermanmiller/documents/product_literature/product_sheets/Logic_Power_Access_Solutions_product_sheet.pdf.
Extron Electronics, “Hideaway” Family Brochure, 2002.
Extron Electronics, Extron® Hideaway Series Brochure, 2002.
Kramer Electronics Ltd., K-Able/XL Box Cable Retractor, User Manual, P/N: 2900-300441 Rev 3, 2015, available at k.kramerav.com/downloads/manuals/k-able_xl_box.pdf.
Kindermann, MultiMedia connection systems, 2014, available at www.kindermann.de/fileadmin/medien/printmedien/MultiMedia_connection_systems/GB/MultiMedia_connection_systems_GB.pdf.
Legrand, WIREMOLD® AVIP Series Device Plates, ED1670R3—Updated Jan. 2015, available at www.legrand.us/wiremold.aspx.
Legrand, WIREMOLD®, DEQUORUM™ Flip-Up Table Boxes, ED1755 0715, 2015, available at www.middleatlantic.com.
Legrand, WIREMOLD® Table Boxes, Table Boxes bring technology to the point-of-use, ED1706R5—Updated Mar. 2016, available at www.legrand.us/wiremold.aspx.
Legrand, wiremold®, InteGreat™ A/V Table Box, ED1699R1 0913, 2013, available at www.legrand.us/wiremold.aspx.
Legrand, wiremold®, Meeting Room Solutions, ED1710, 2013, available at www.legrand.us/wiremold.aspx.
Legrand, wiremold® Table Boxes, ED1652R3—Updated Apr. 2016, available at www.legrand.us/wiremold.aspx.
Soltec, LCD-TFT Solutions, 2015, available at dvs.rs/wp-content/uploads/2017/07/English-Soltec-Catalogue.pdf.
AMX, HPX-MSP-7, 8 Module Connection Port with 7" Panel, www.amx.com/en/products/hpx-msp-7.

* cited by examiner

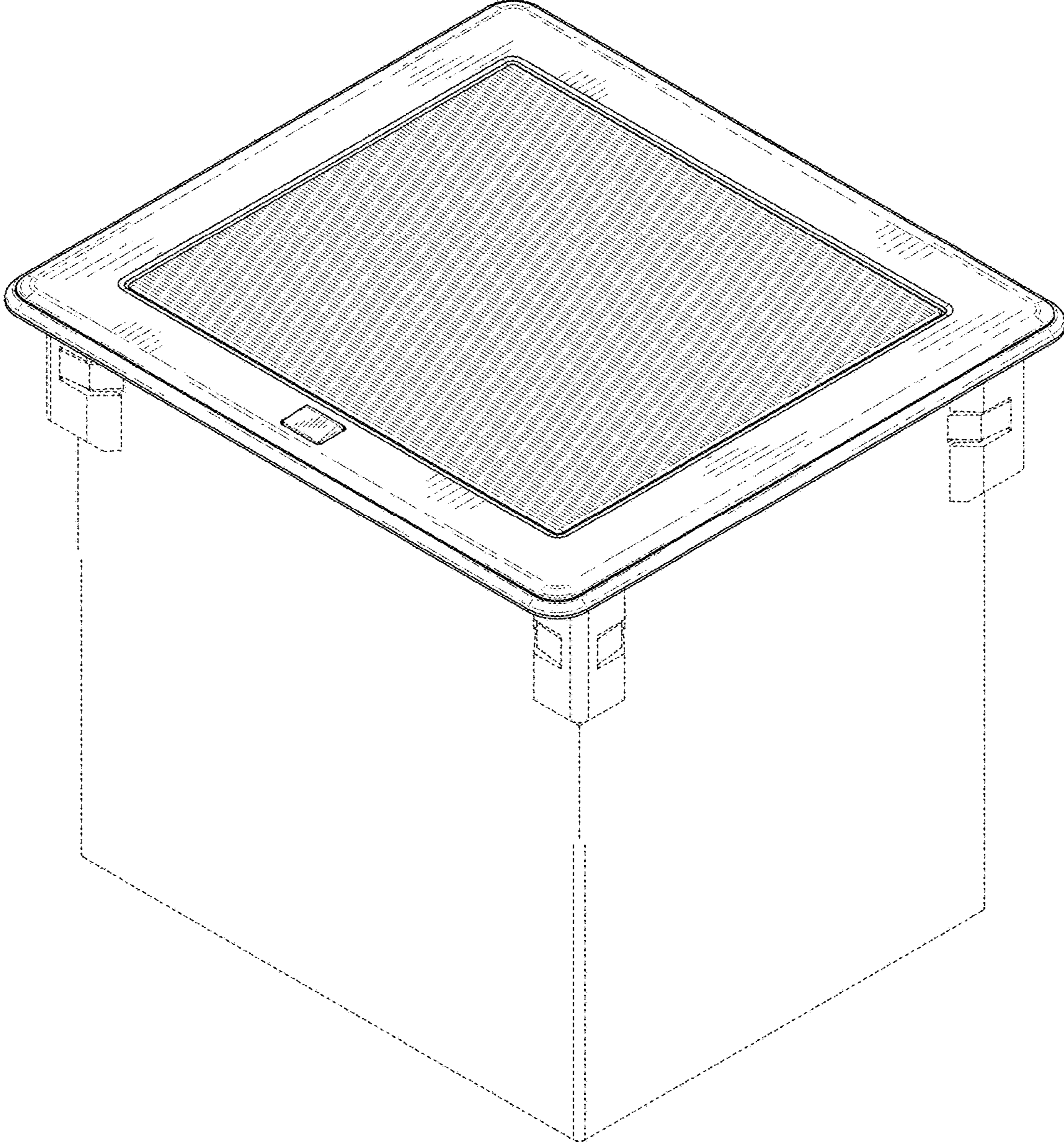


FIG. 1

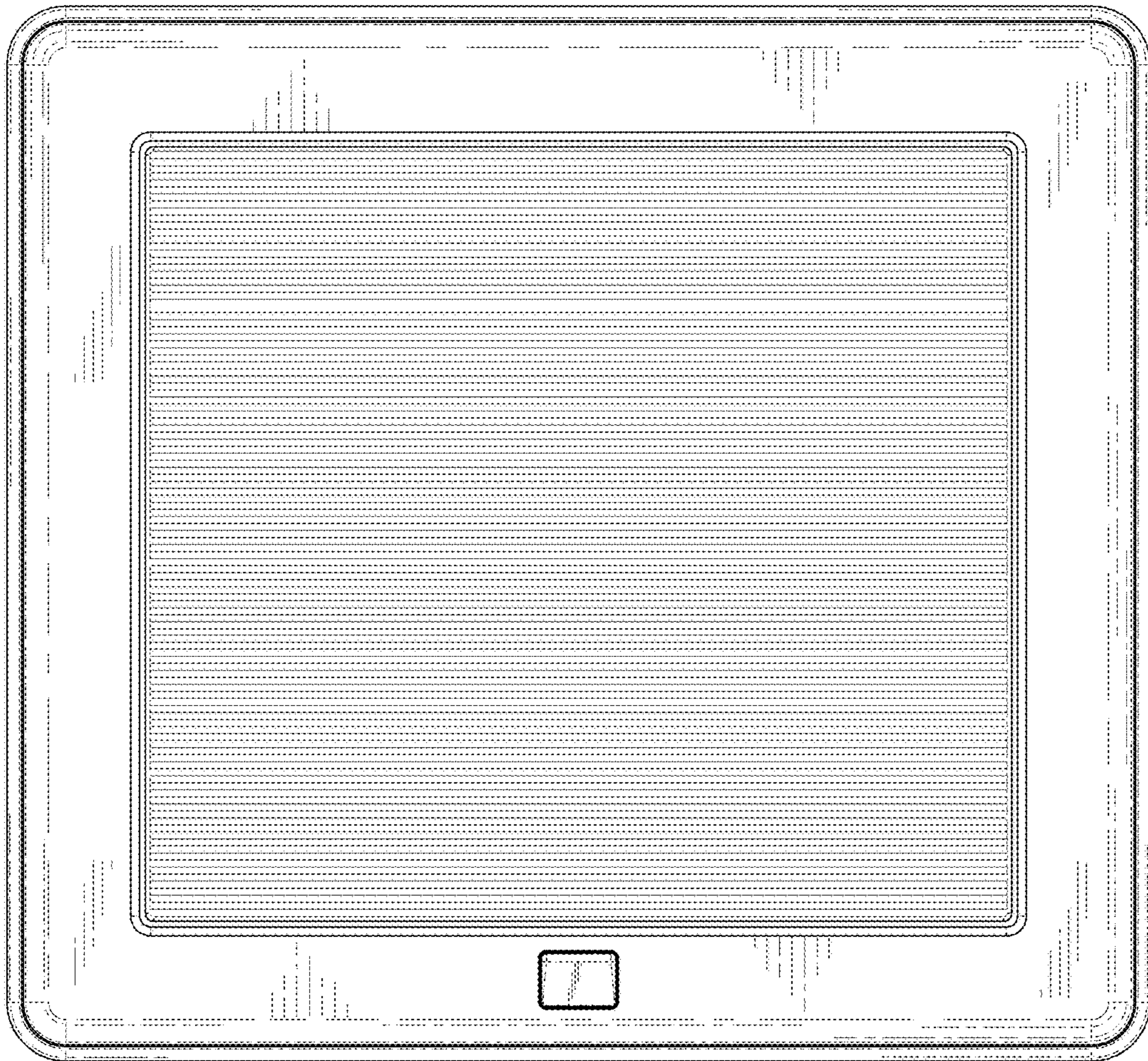


FIG. 2

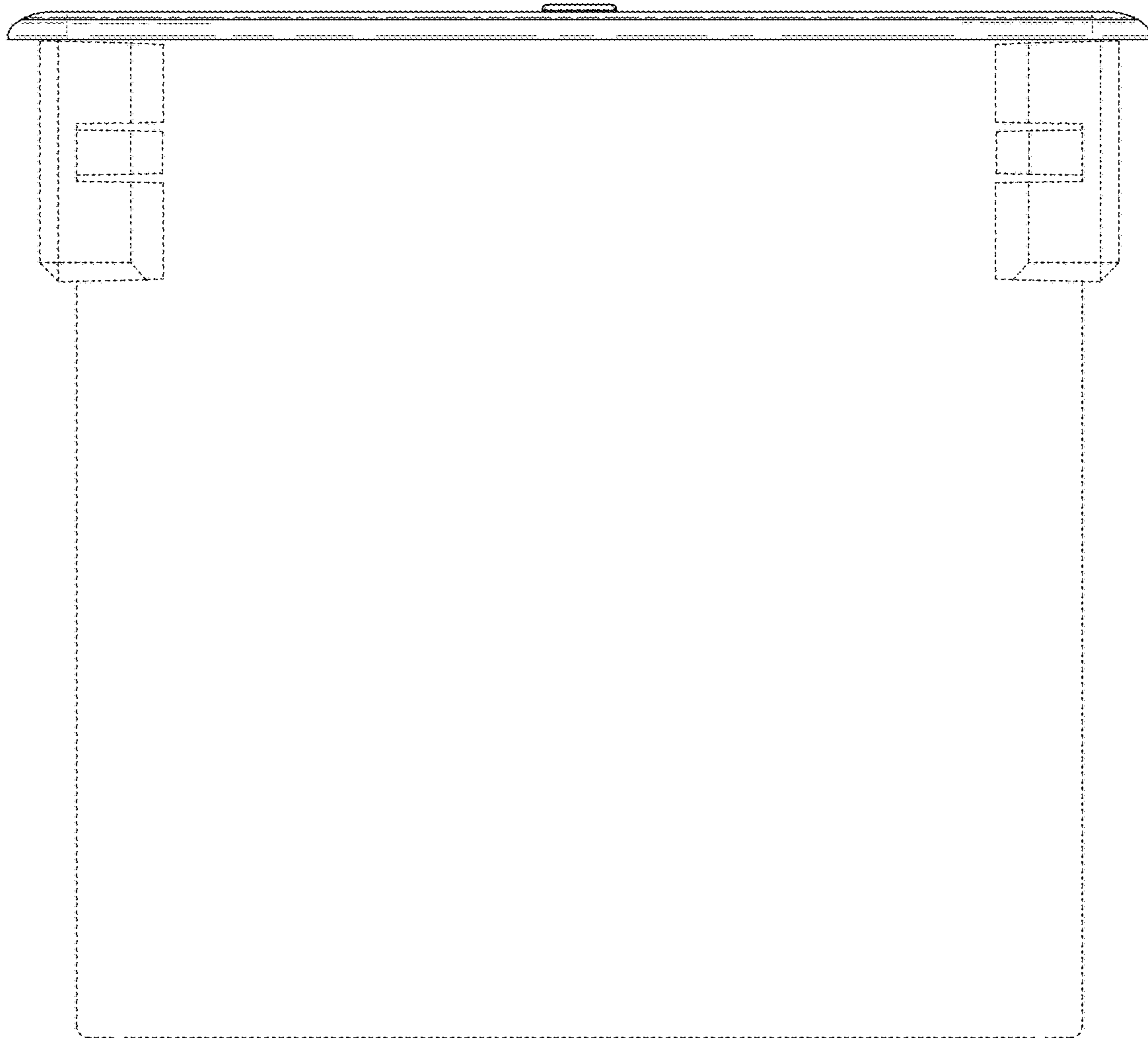


FIG. 3

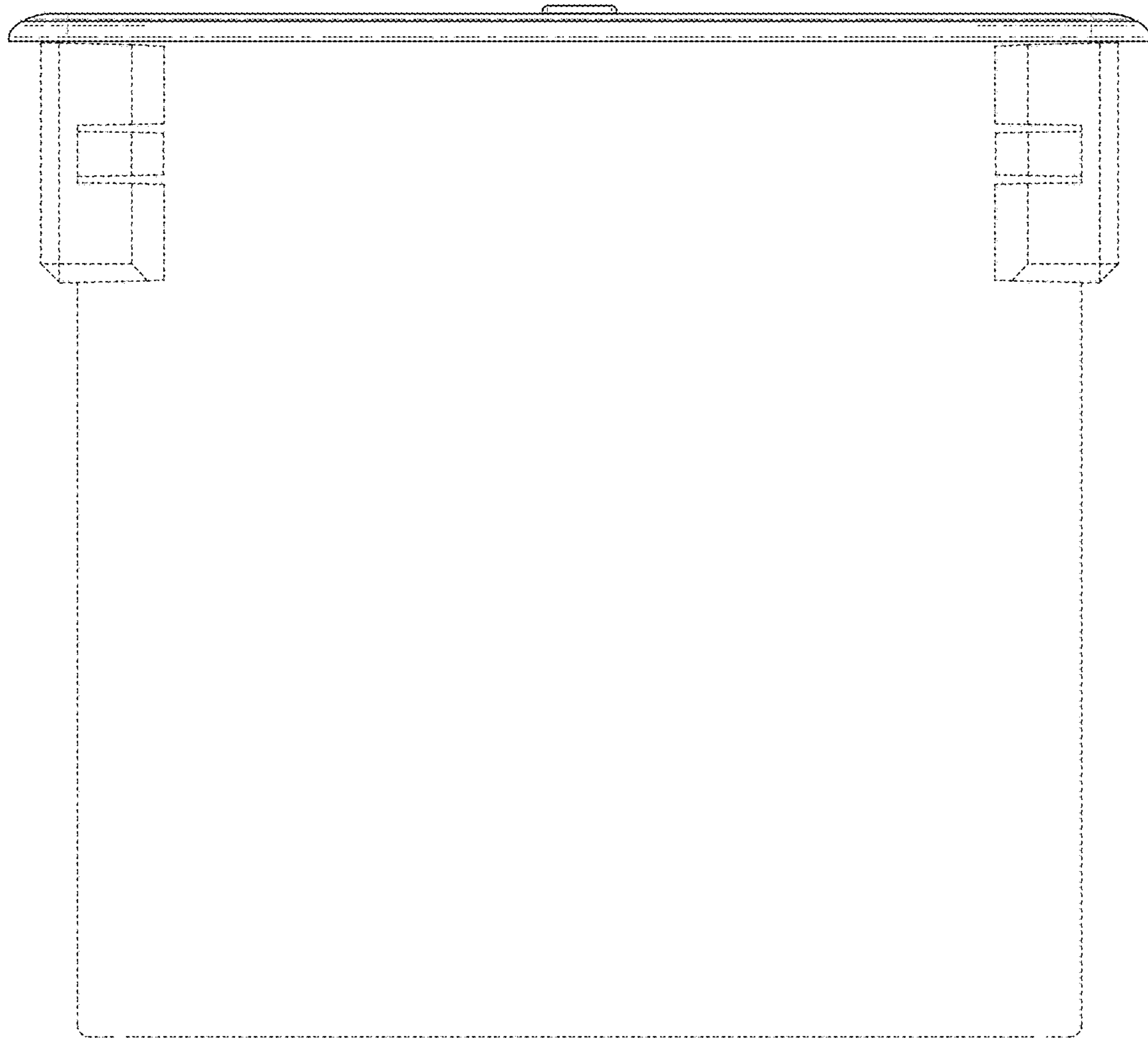


FIG. 4

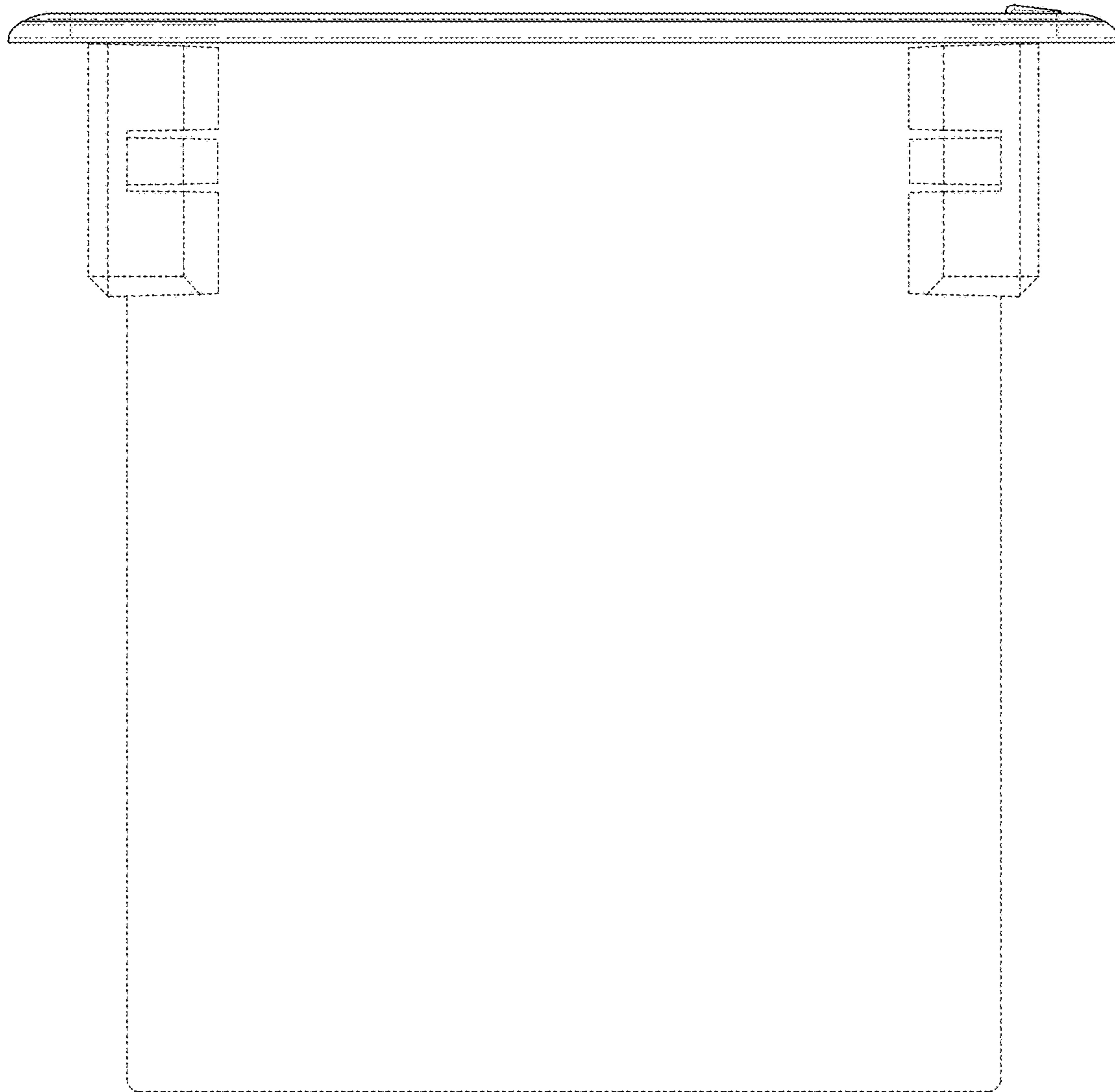


FIG. 5

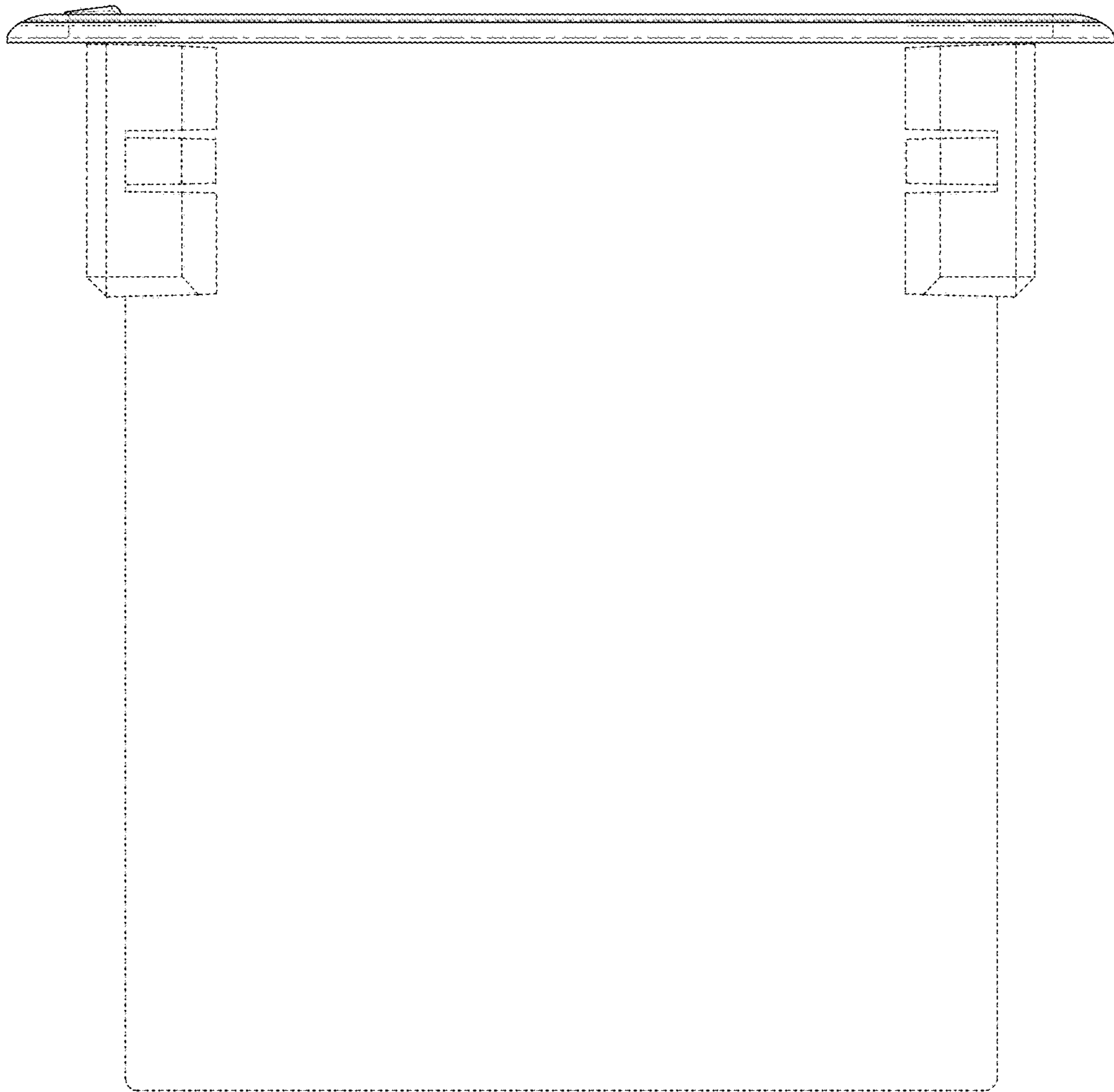


FIG. 6

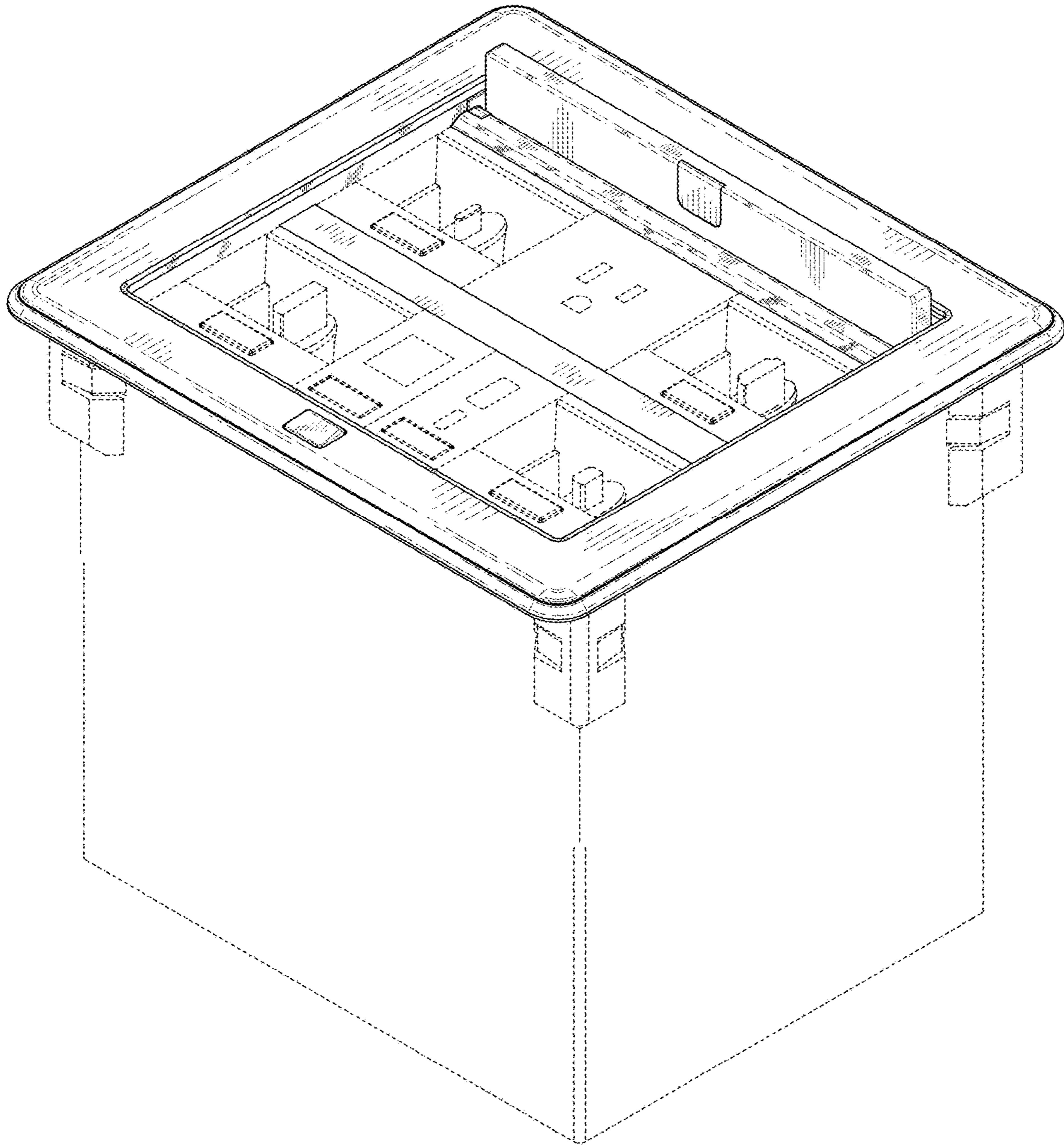


FIG. 7

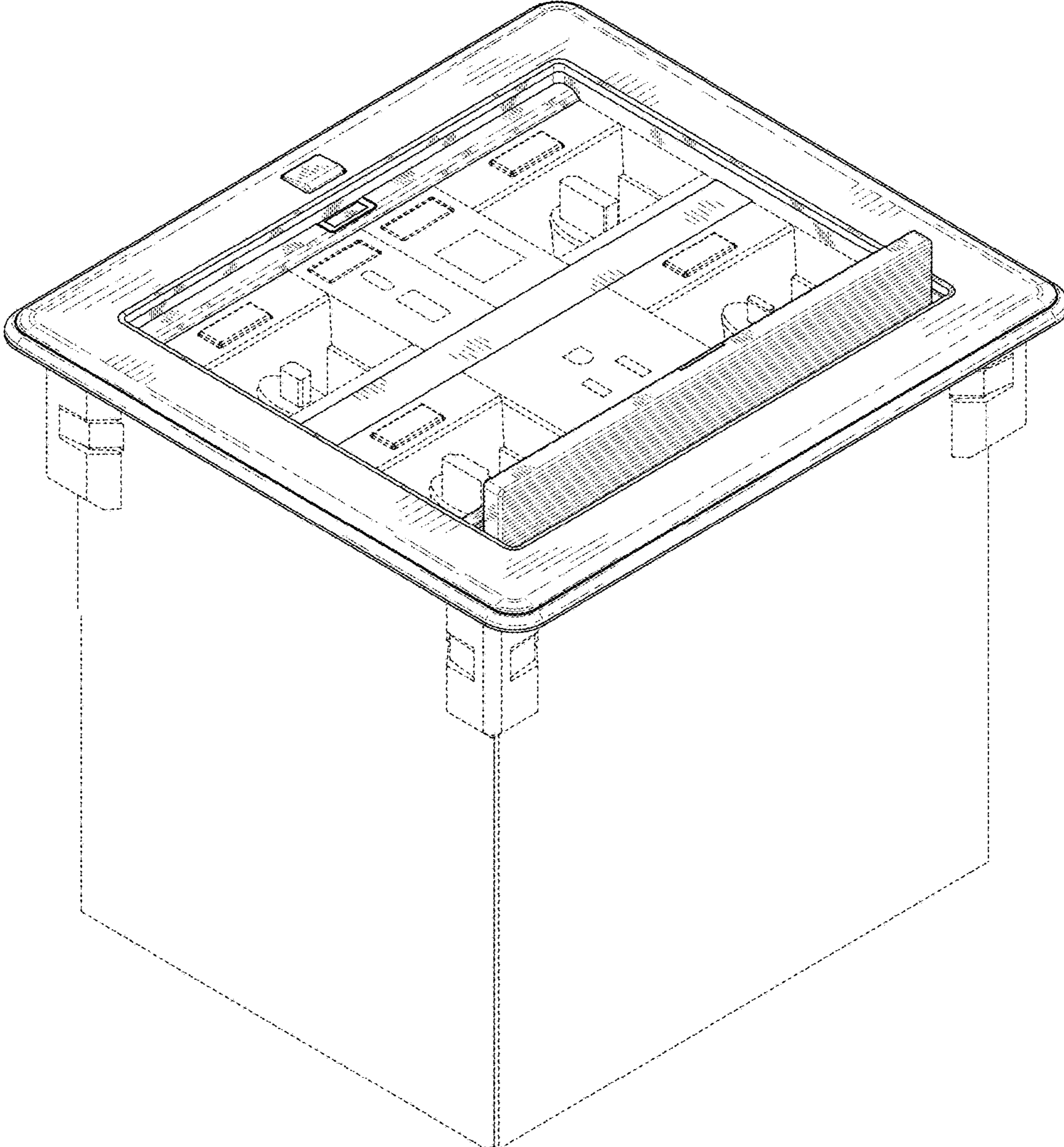


FIG. 8

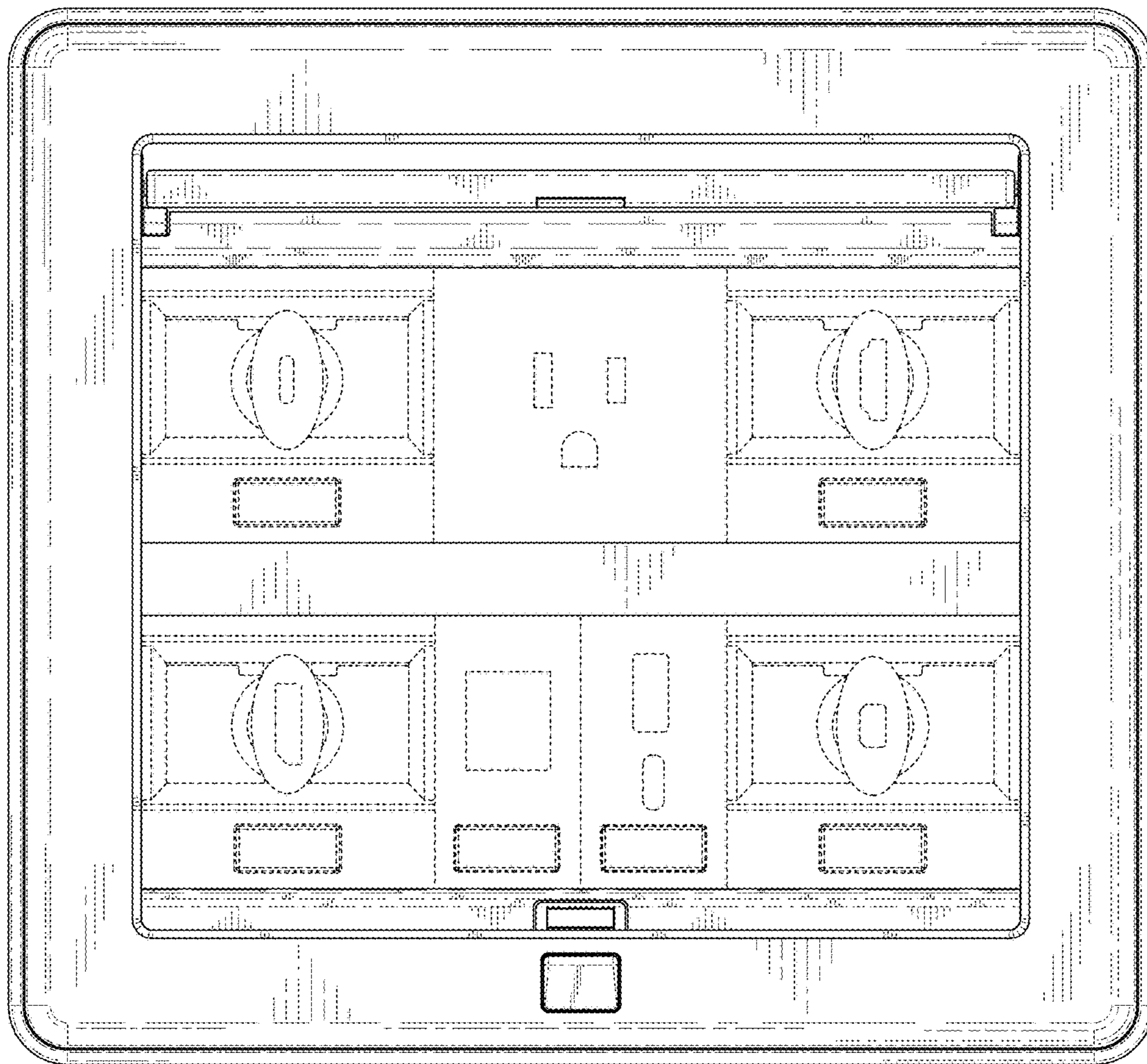


FIG. 9