



US00D858448S

(12) **United States Design Patent**  
**Zhou**

(10) **Patent No.:** **US D858,448 S**

(45) **Date of Patent:** **\*\* Sep. 3, 2019**

(54) **POWER STRIP**

(71) Applicant: **J&V Technology LLC**, Brighton, CO (US)

(72) Inventor: **Yi Zhou**, Brighton, CO (US)

(\*\*) Term: **15 Years**

(21) Appl. No.: **29/623,382**

(22) Filed: **Oct. 24, 2017**

(51) **LOC (12) Cl.** ..... **13-03**

(52) **U.S. Cl.**

USPC ..... **D13/137.4**

(58) **Field of Classification Search**

USPC ..... D13/137.1–137.4, 138.1–138.2,  
D13/139.1–139.8, 152–154, 108, 110,  
D13/123, 133, 146, 147, 156, 158, 160;  
D14/433, 434

CPC .. H01R 25/00; H01R 25/006; H01R 13/6675;  
H01R 13/44; H01R 13/627; H01R  
13/447; H01R 13/73; H01R 13/66; H01R  
13/60; H01R 25/165; H01R 31/06; H05K  
5/00; H05K 5/03; H03R 13/10; H03R  
13/17; H03R 13/20; H03R 13/5829; H02J  
7/00; H02J 7/0013; H02J 7/02; H02J  
2007/0098

See application file for complete search history.

(56) **References Cited**

**U.S. PATENT DOCUMENTS**

D467,873 S	*	12/2002	Yu	.....	D13/137.2
D470,460 S	*	2/2003	Yu	.....	D13/139.8
D566,654 S	*	4/2008	Ivanova	.....	D13/139.7
D639,742 S	*	6/2011	Doucet	.....	D13/139.8
D671,495 S	*	11/2012	Zanoni	.....	D13/139.1
D718,714 S	*	12/2014	Si	.....	D13/110
D718,715 S	*	12/2014	Si	.....	D13/110
D739,355 S	*	9/2015	D'Aubeterre	.....	D13/139.8

D775,627 S	*	1/2017	Yang	.....	D14/217
D807,298 S	*	1/2018	Xu	.....	D13/139.8
2014/0326726 A1	*	11/2014	Byrne	.....	H02G 3/081 220/241

**OTHER PUBLICATIONS**

Amazon.com: JSVER Compact Cube Smart Power Strip with 3 USB Charging Station. Published May 26, 2017. Retrieved from the internet at <<https://www.amazon.com/JSVER-Compact-Charging-Station-Outlet/dp/B072PT17X3/>>, Aug. 6, 2018. 1 page. (Year: 2017).\*

Amazon.com: JSVER 3 Outlet Compact Cube Power Strip with 3 Smart USB Charging Ports. Published Nov. 22, 2017. Retrieved from the internet at <<https://www.amazon.com/dp/B071J4M45C/>>, Aug. 6, 2018. 1 page. (Year: 2017).\*

\* cited by examiner

*Primary Examiner* — Rosemary K Tarcza

*Assistant Examiner* — Christy M Nemeth

(74) *Attorney, Agent, or Firm* — Erson IP (Nelson IP)

(57) **CLAIM**

The ornamental design for a power strip, as shown and described.

**DESCRIPTION**

FIG. 1 is a rear elevation view of a power strip of my new design;

FIG. 2 is a front elevation view thereof;

FIG. 3 is a right-side elevation view thereof;

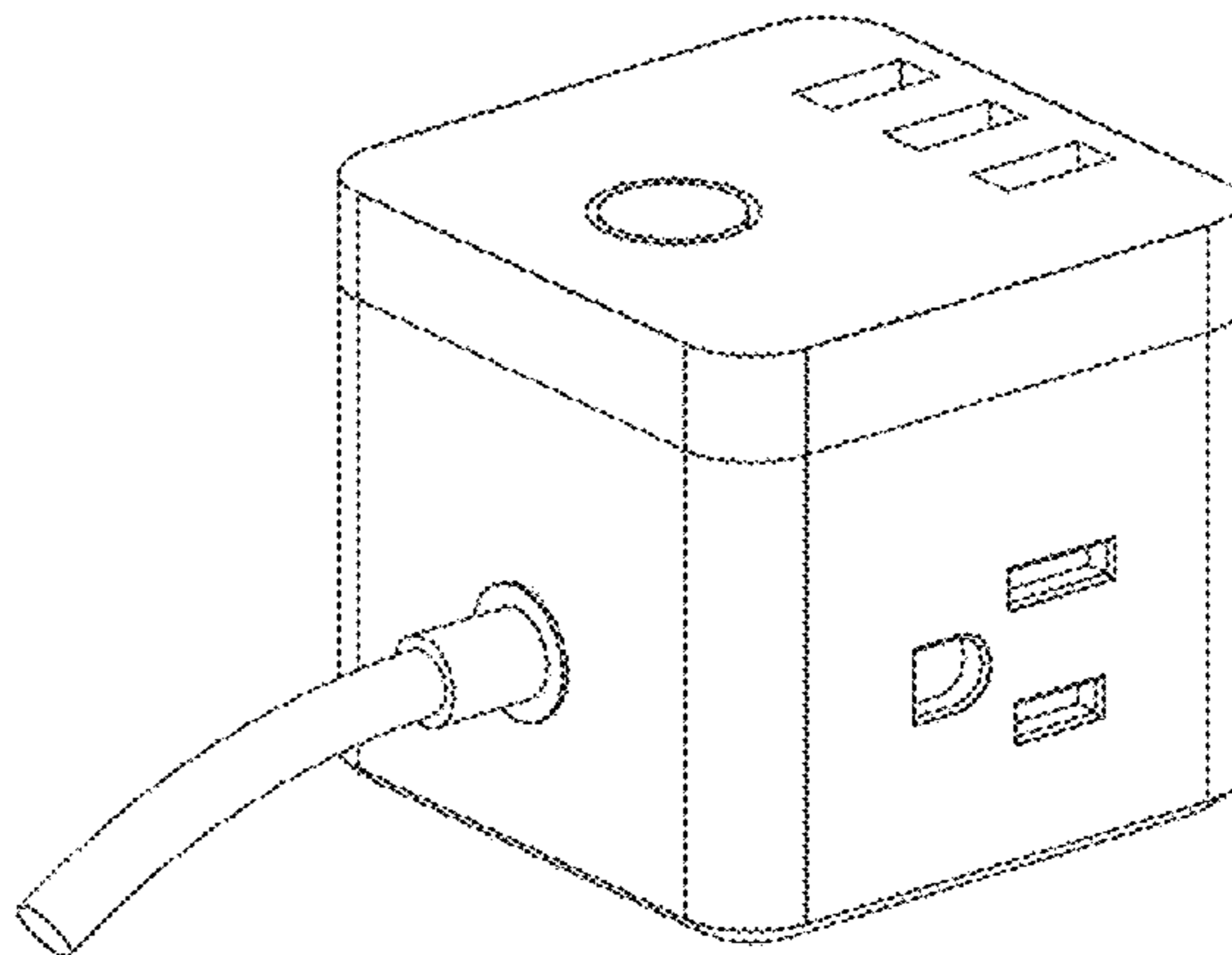
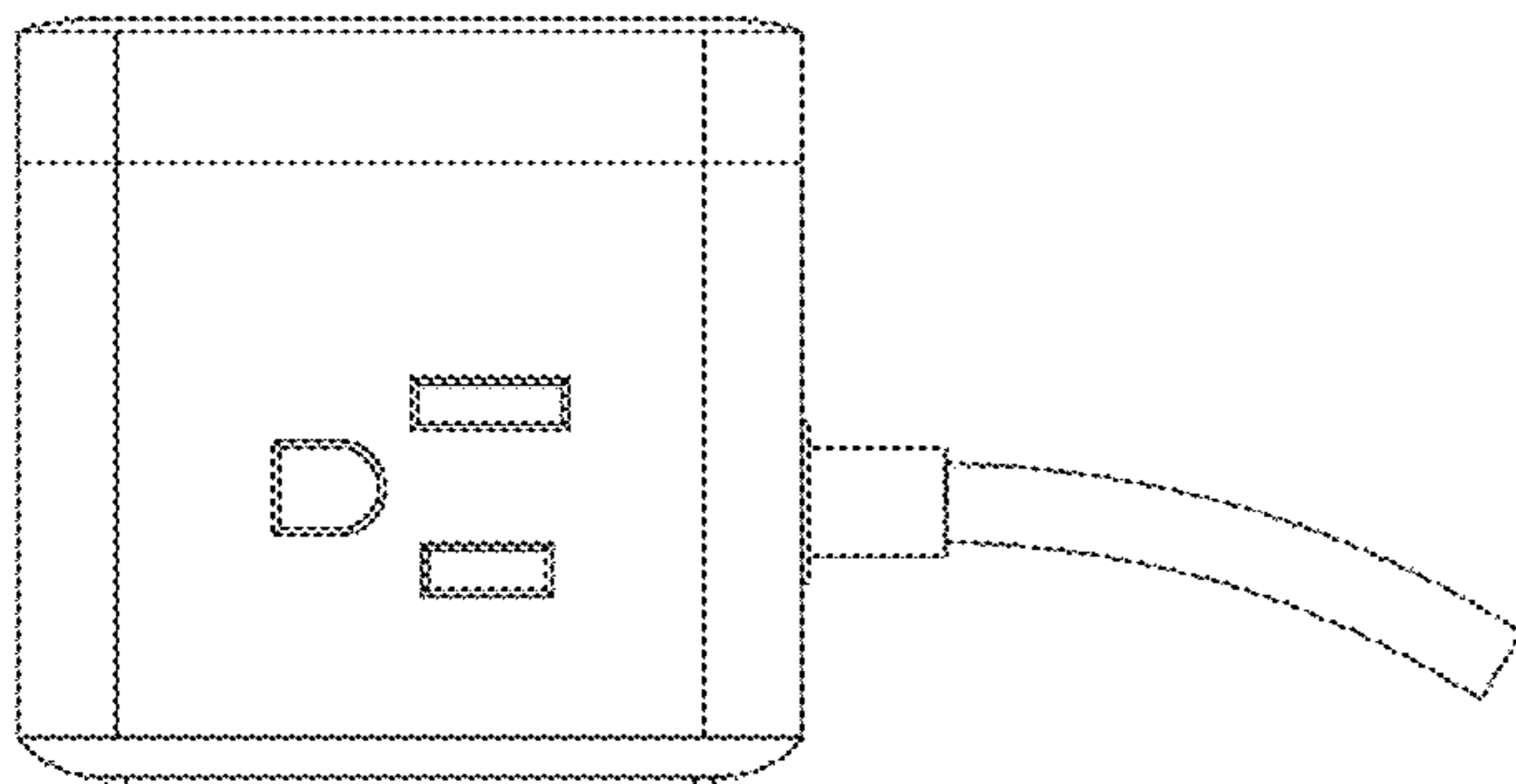
FIG. 4 is a left-side elevation view thereof;

FIG. 5 is a top plan view thereof;

FIG. 6 is a bottom plan view thereof; and,

FIG. 7 is a top-rear-left side perspective view thereof.

**1 Claim, 5 Drawing Sheets**



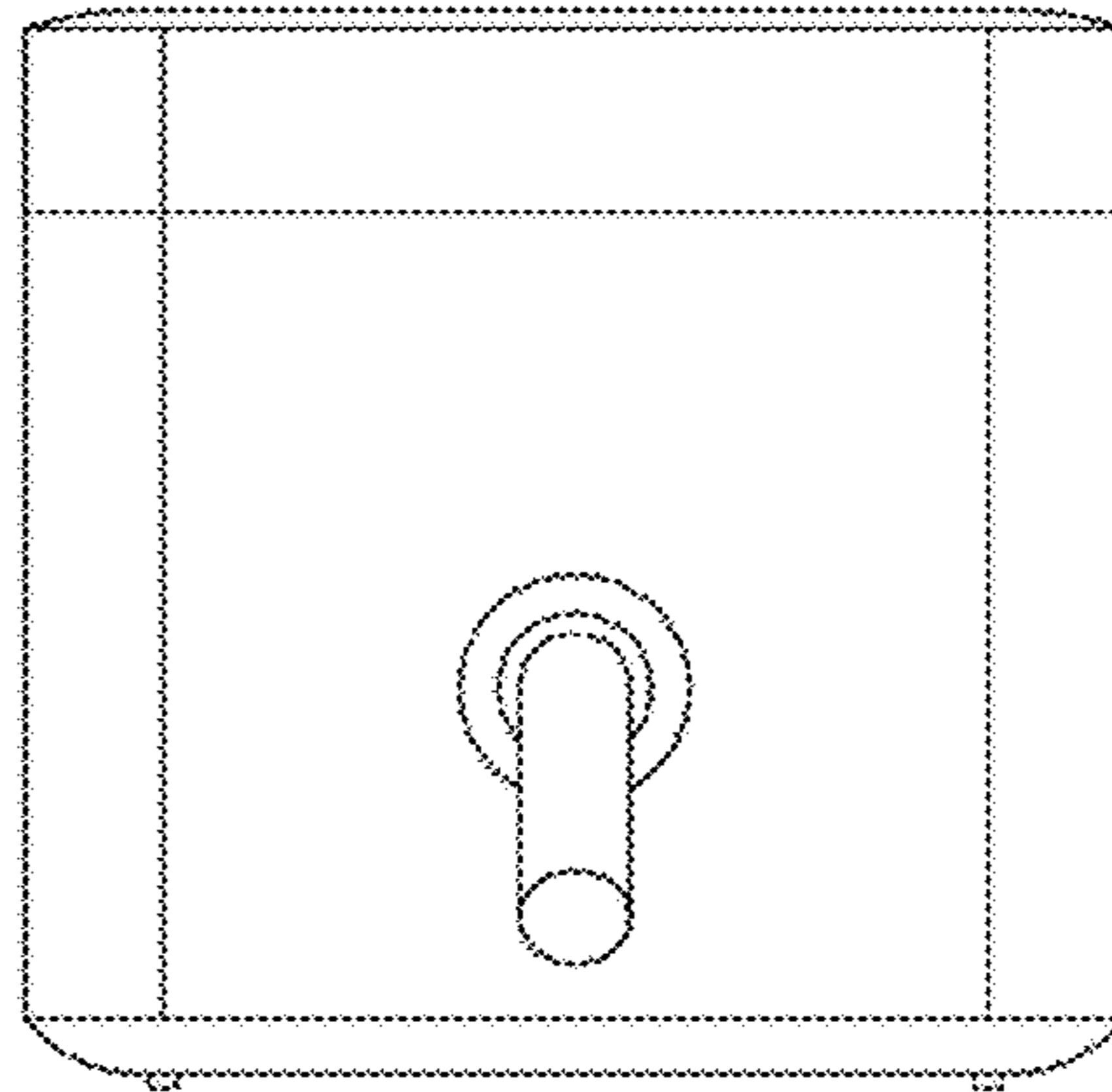


FIG. 1

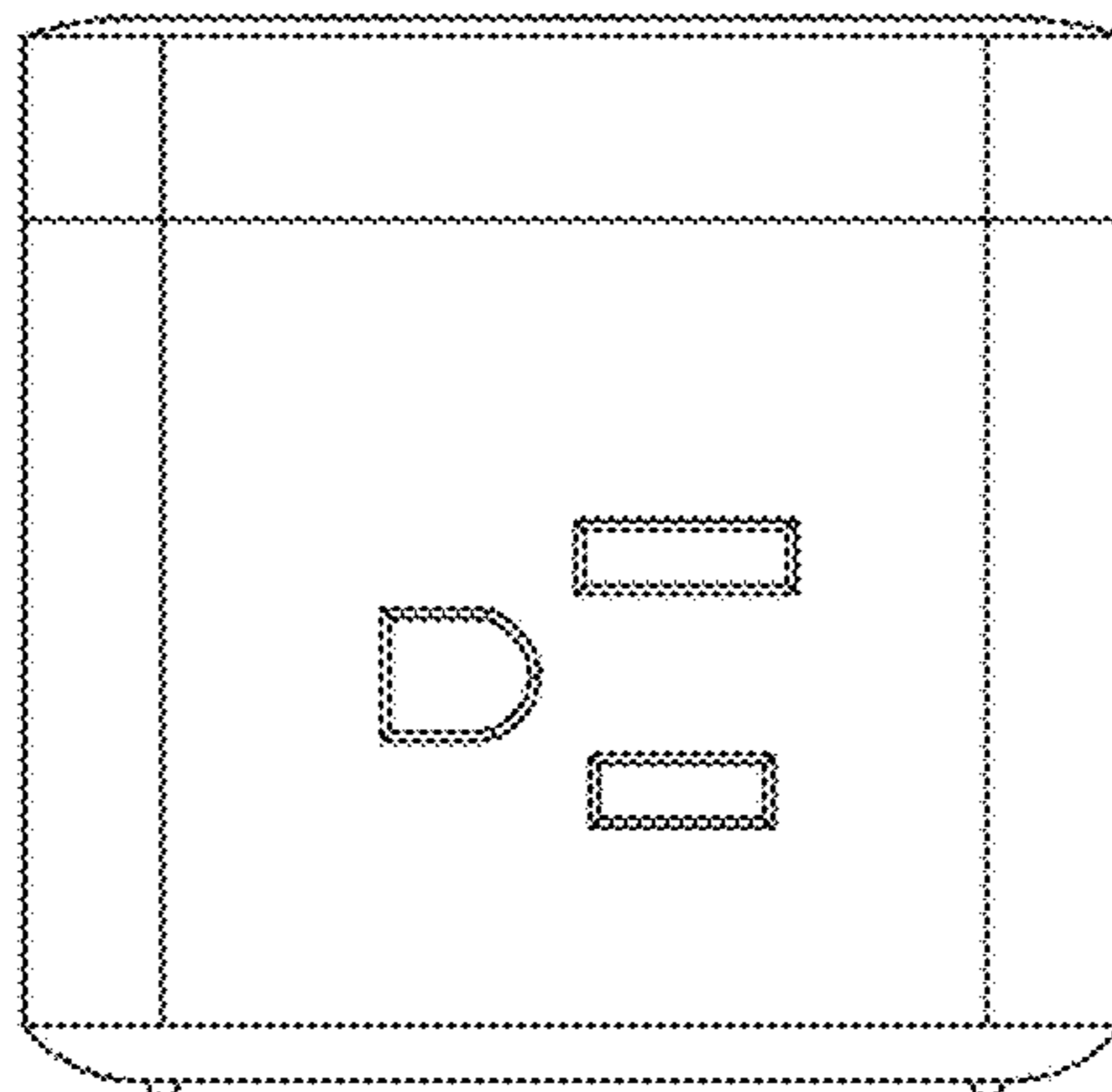


FIG. 2

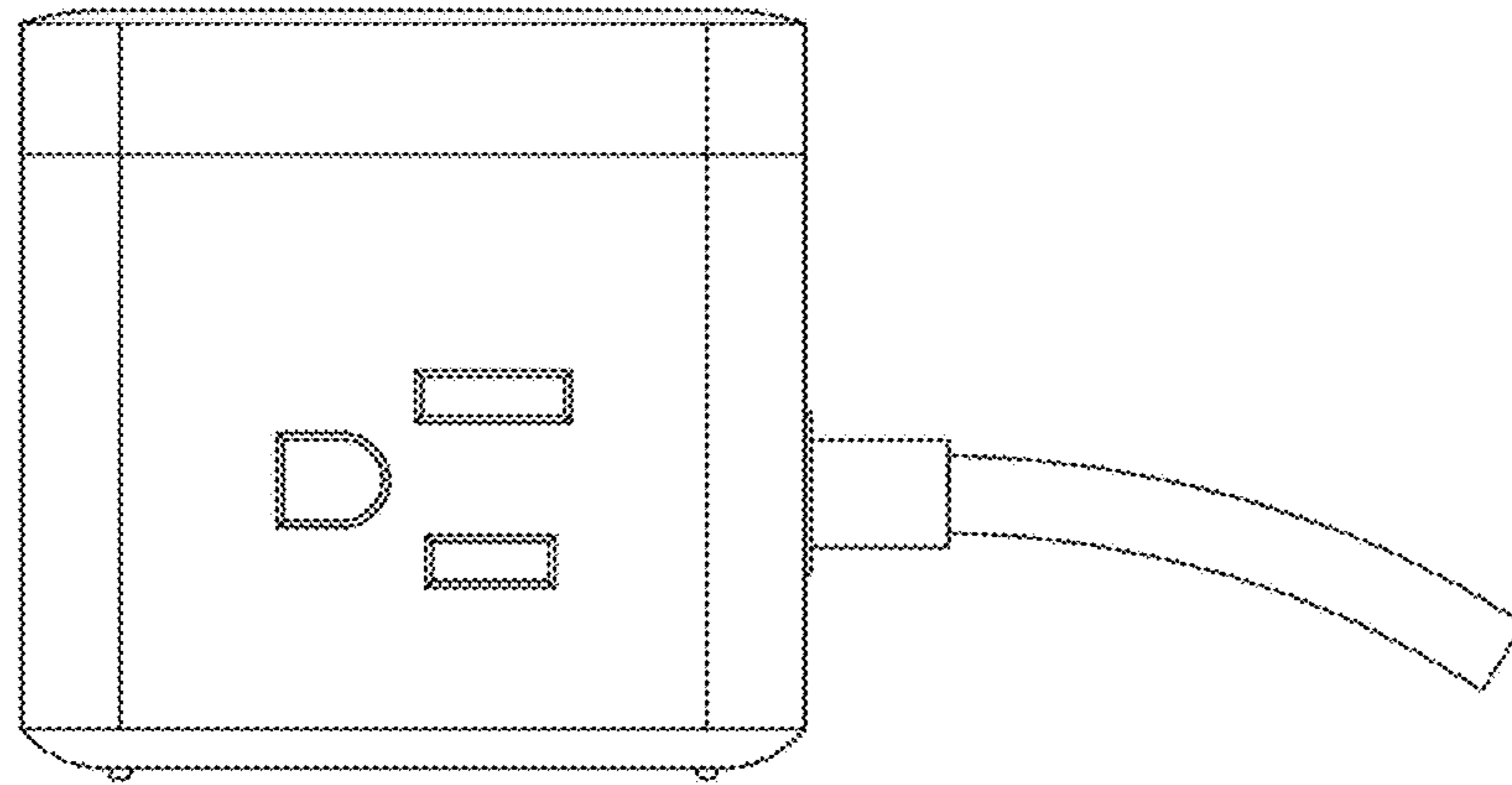


FIG.3

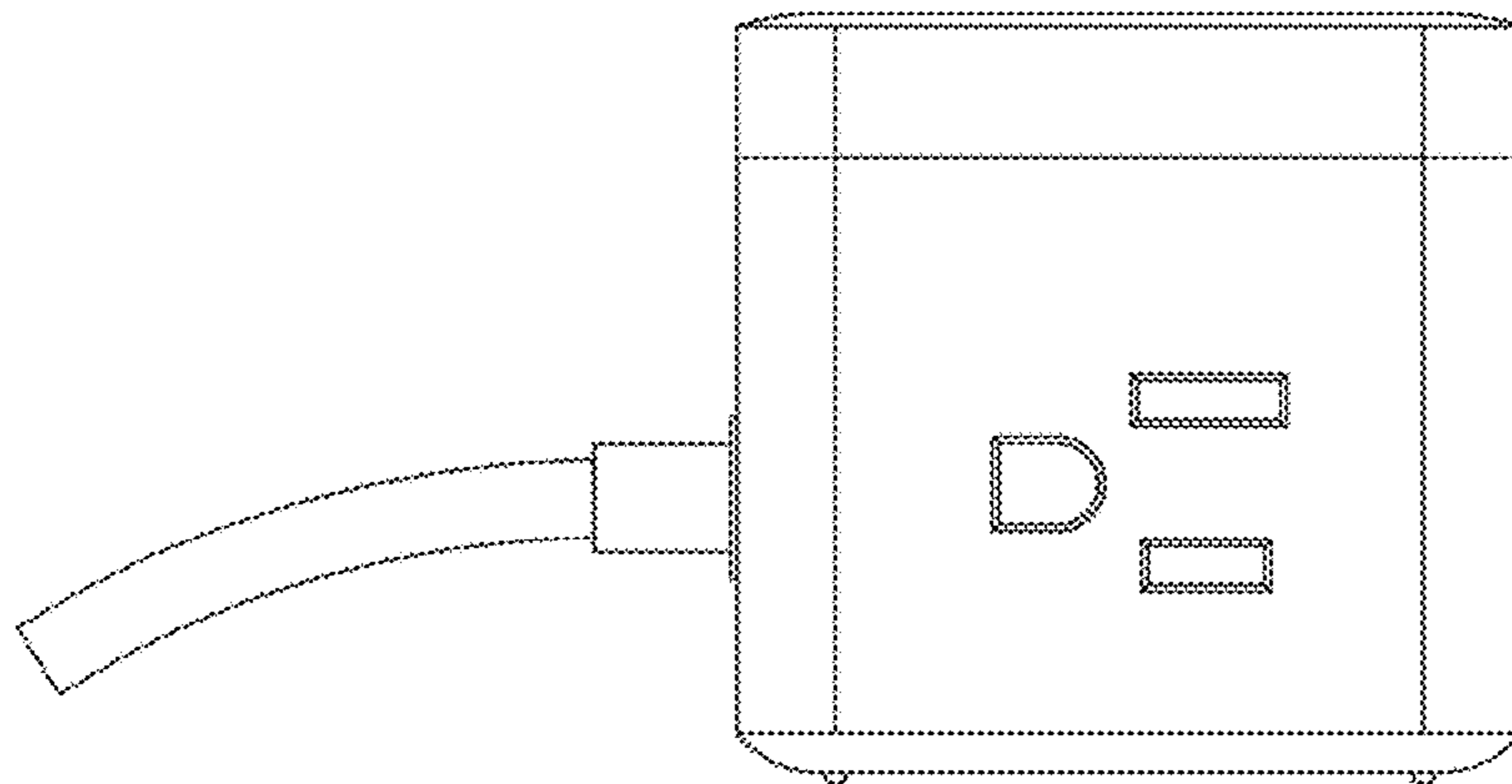


FIG.4

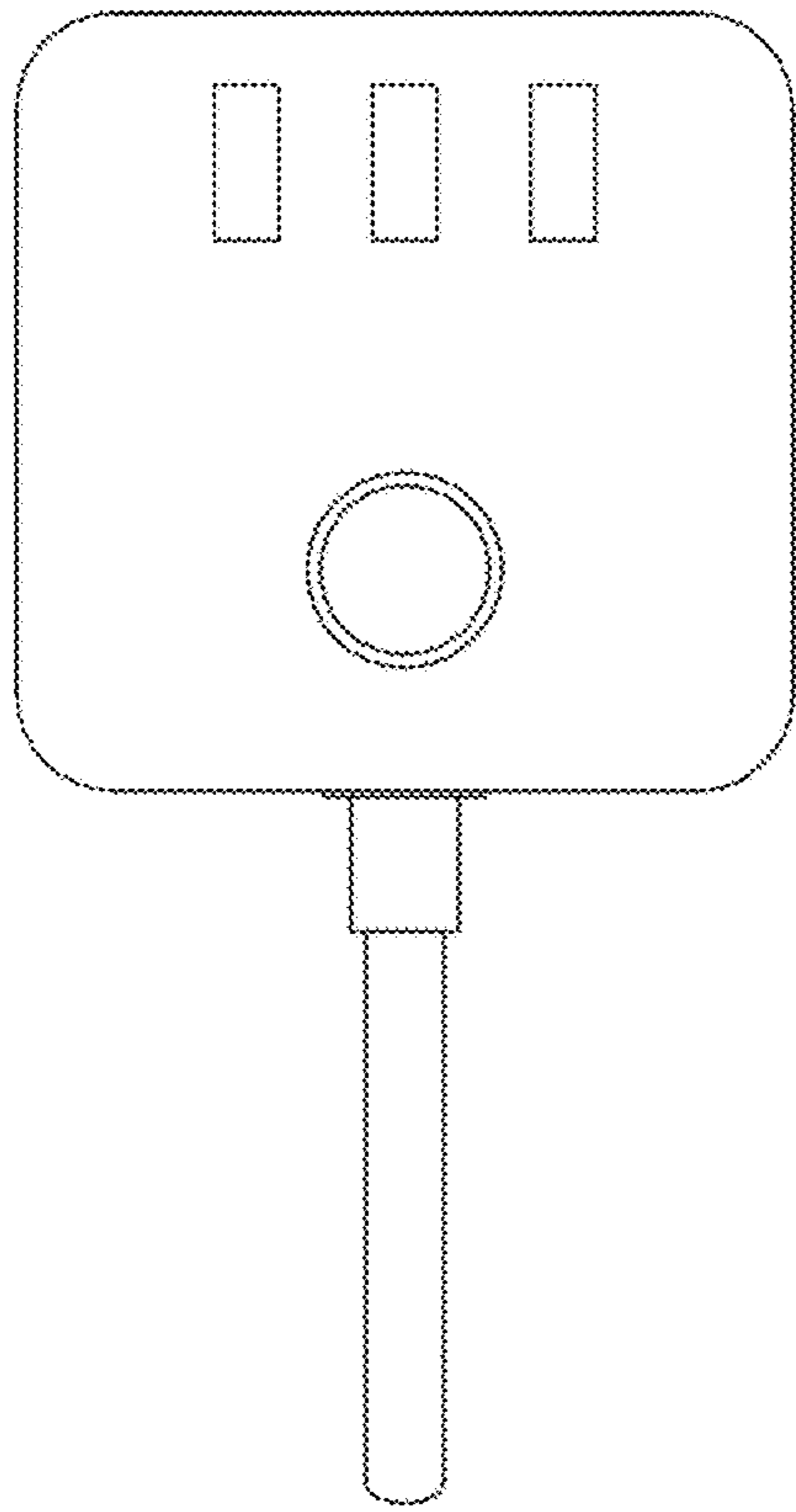


FIG.5

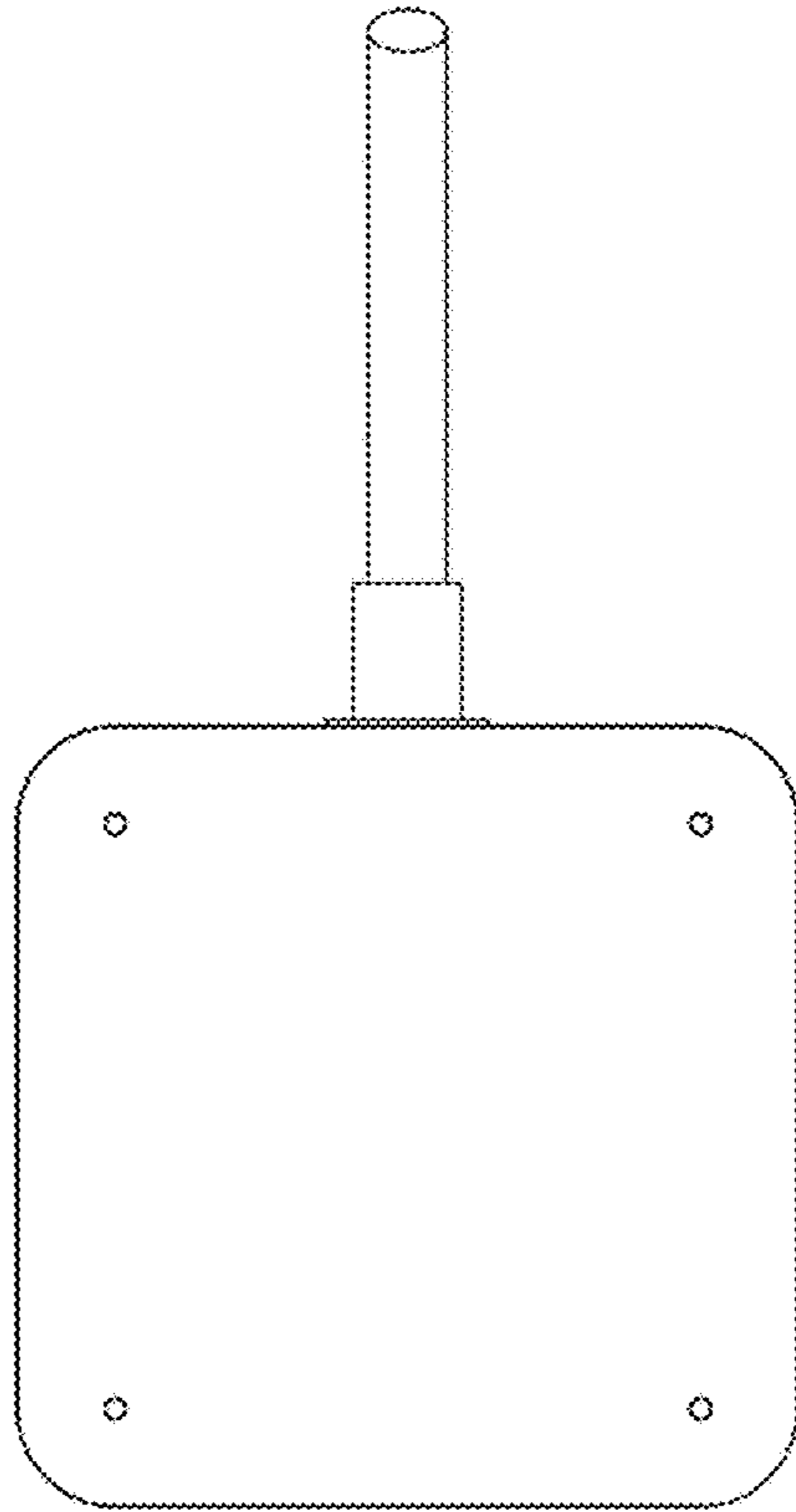


FIG.6

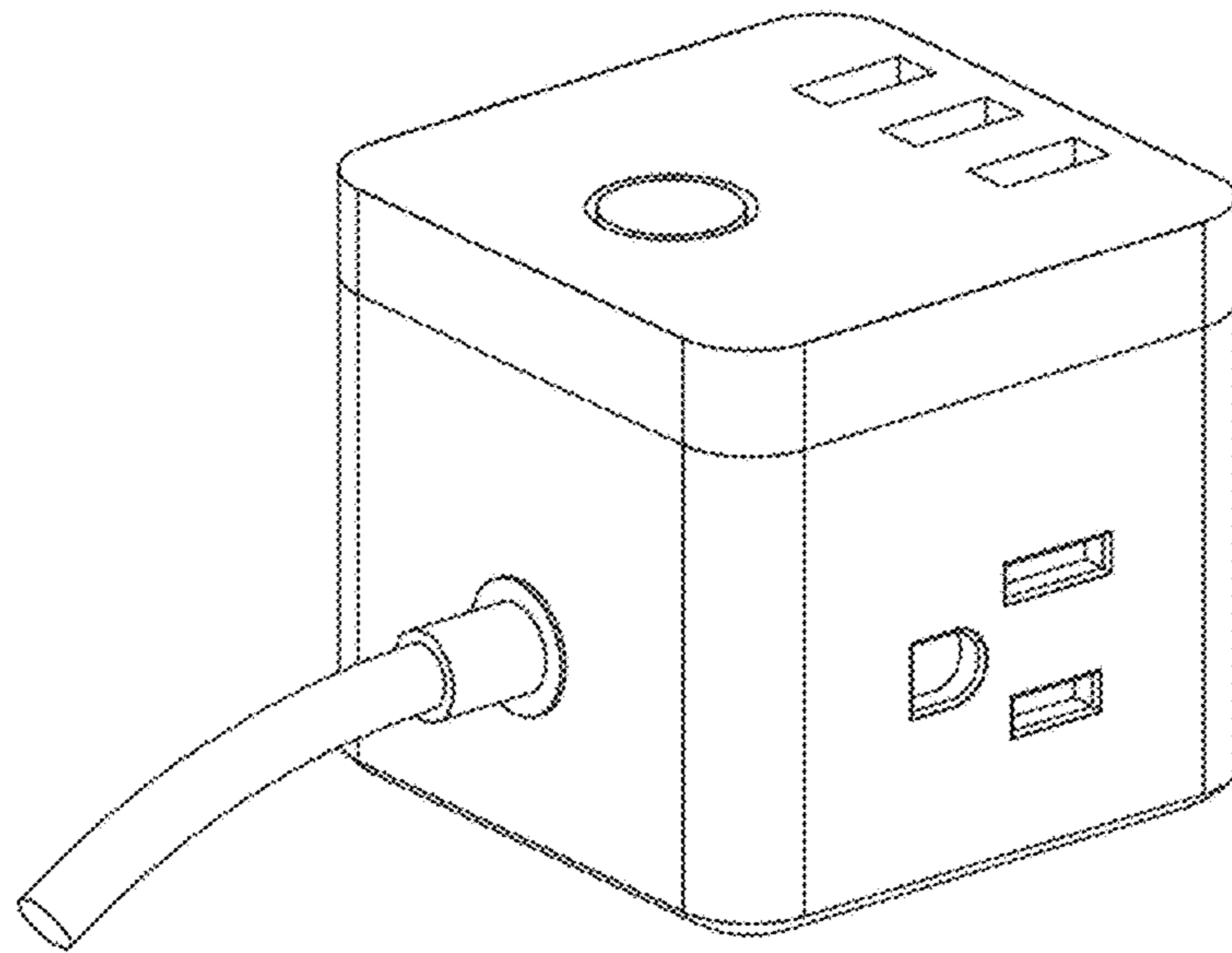


FIG.7