



US00D858447S

(12) **United States Design Patent**
Chen

(10) **Patent No.:** **US D858,447 S**

(45) **Date of Patent:** **** Sep. 3, 2019**

(54) **SOCKET**

(71) Applicant: **SHENZHEN ANHAORUIHE ELECTRONICS CO., LTD**, Shenzhen (CN)

(72) Inventor: **Xinjiao Chen**, Shenzhen (CN)

(73) Assignee: **SHENZHEN ANHAORUIHE ELECTRONICS CO., LTD**, Shenzhen (CN)

(**) Term: **15 Years**

(21) Appl. No.: **29/639,675**

(22) Filed: **Mar. 7, 2018**

(51) **LOC (12) Cl.** **13-03**

(52) **U.S. Cl.**
USPC **D13/137.2**

(58) **Field of Classification Search**
USPC D13/108, 110, 123, 133, 137.1–137.4,
D13/138.1–138.2, 139.1–139.8, 152, 154;
D14/433
CPC .. H01R 25/00; H01R 25/006; H01R 13/6675;
H01R 13/10; H01R 13/44; H01R 13/66;
H01R 13/652; H01R 31/065; H01R
31/00; H01R 11/00; H01R 9/00; H01H
2207/00; H01H 2207/022

See application file for complete search history.

(56) **References Cited**

U.S. PATENT DOCUMENTS

D742,327 S	*	11/2015	Nakai	D13/154
D750,022 S	*	2/2016	Lin	D13/137.2
D826,162 S	*	8/2018	Byrne	D13/139.7
D835,042 S	*	12/2018	Qiu	D13/137.2
D835,043 S	*	12/2018	Liao	D13/137.3
D836,555 S	*	12/2018	Xu	D13/137.2

* cited by examiner

Primary Examiner — Rosemary K Tarcaz

Assistant Examiner — Christy M Nemeth

(57) **CLAIM**

The ornamental design for a socket, as shown and described.

DESCRIPTION

FIG. 1 is a perspective view of the socket showing my new design;

FIG. 2 is a front elevational view thereof;

FIG. 3 is a rear elevational view thereof;

FIG. 4 is a left side elevational view thereof;

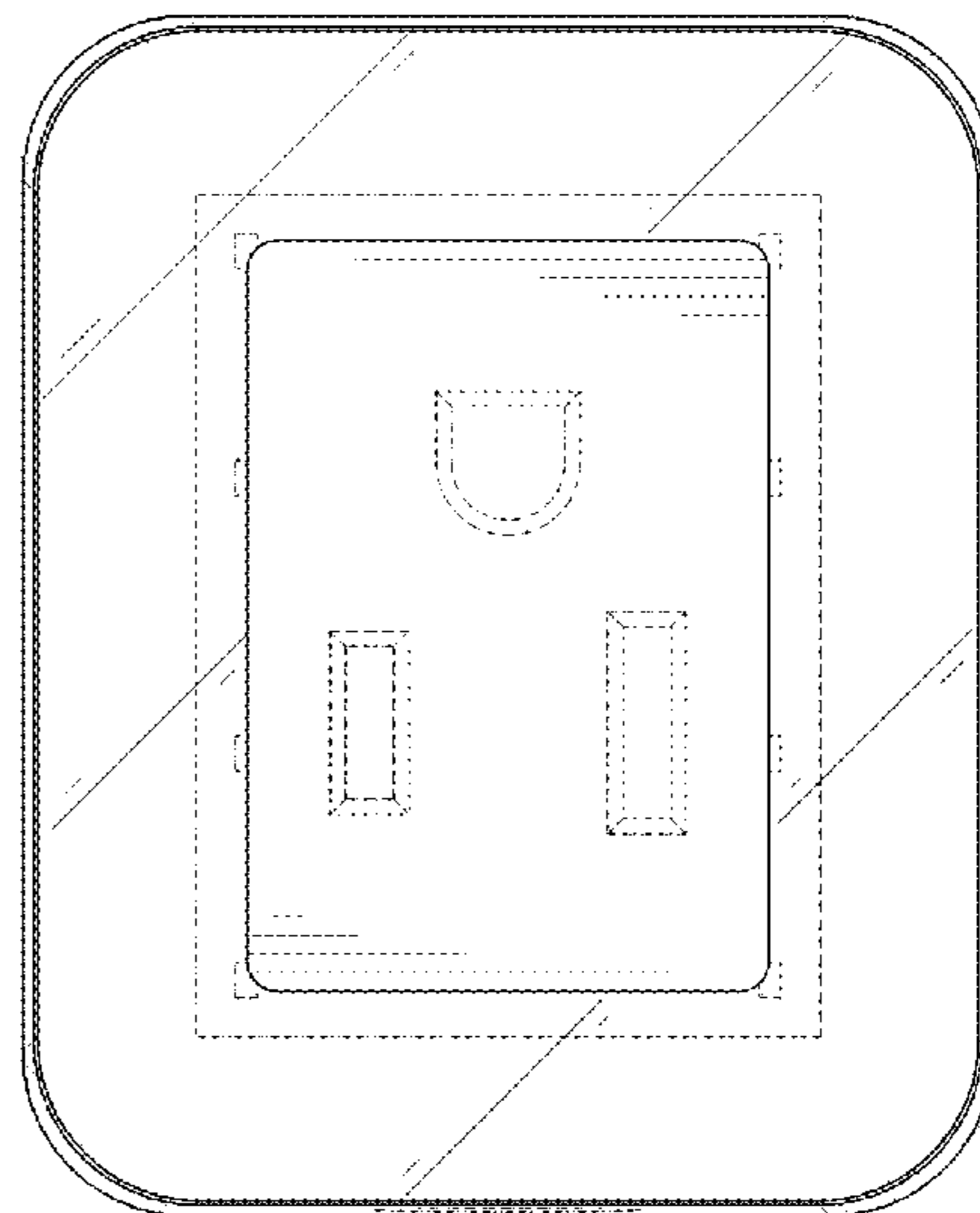
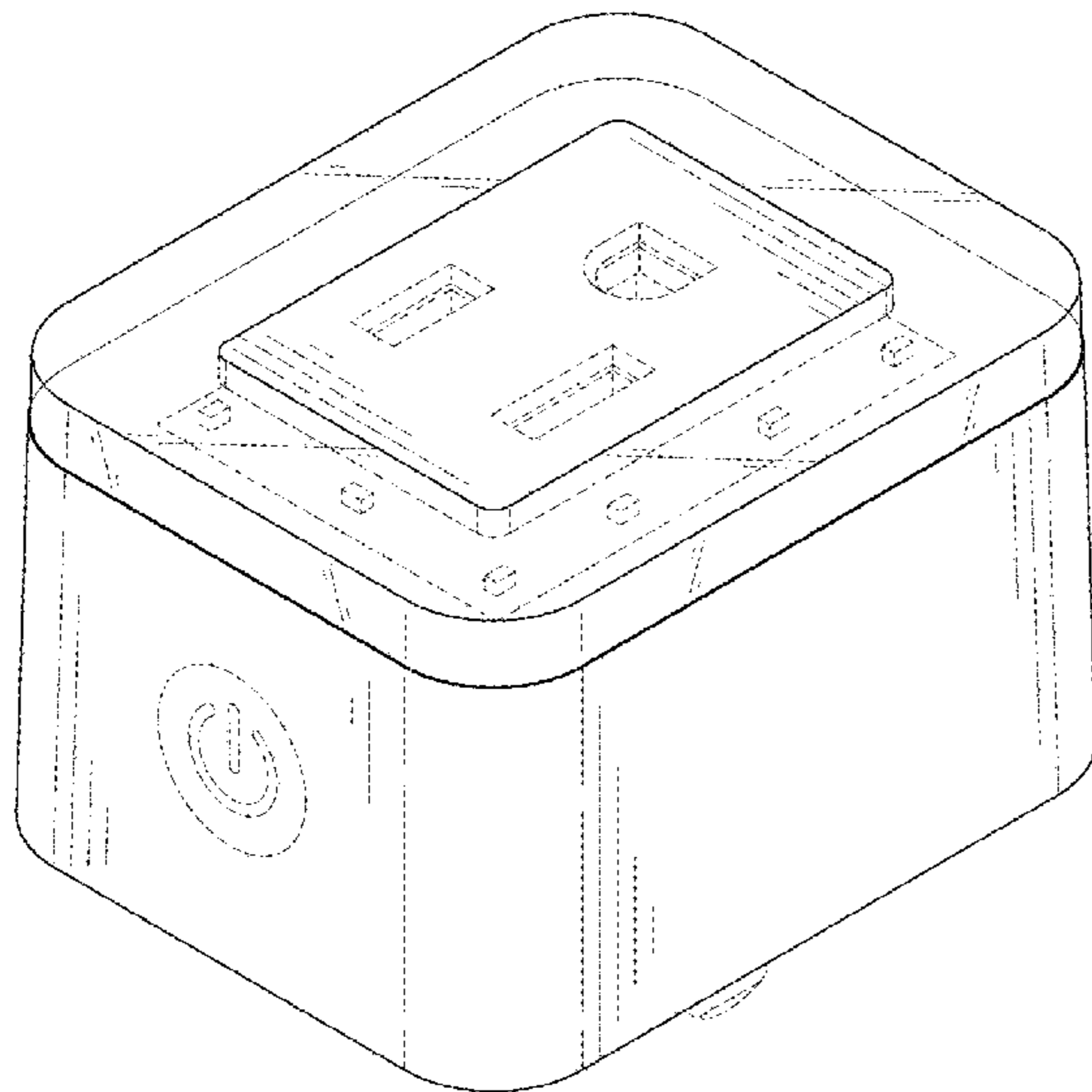
FIG. 5 is a right side elevational view thereof;

FIG. 6 is a top plan view thereof; and,

FIG. 7 is a bottom plan view thereof.

The broken lines in the drawings depict portions of the socket that form no part of the claimed design.

1 Claim, 7 Drawing Sheets



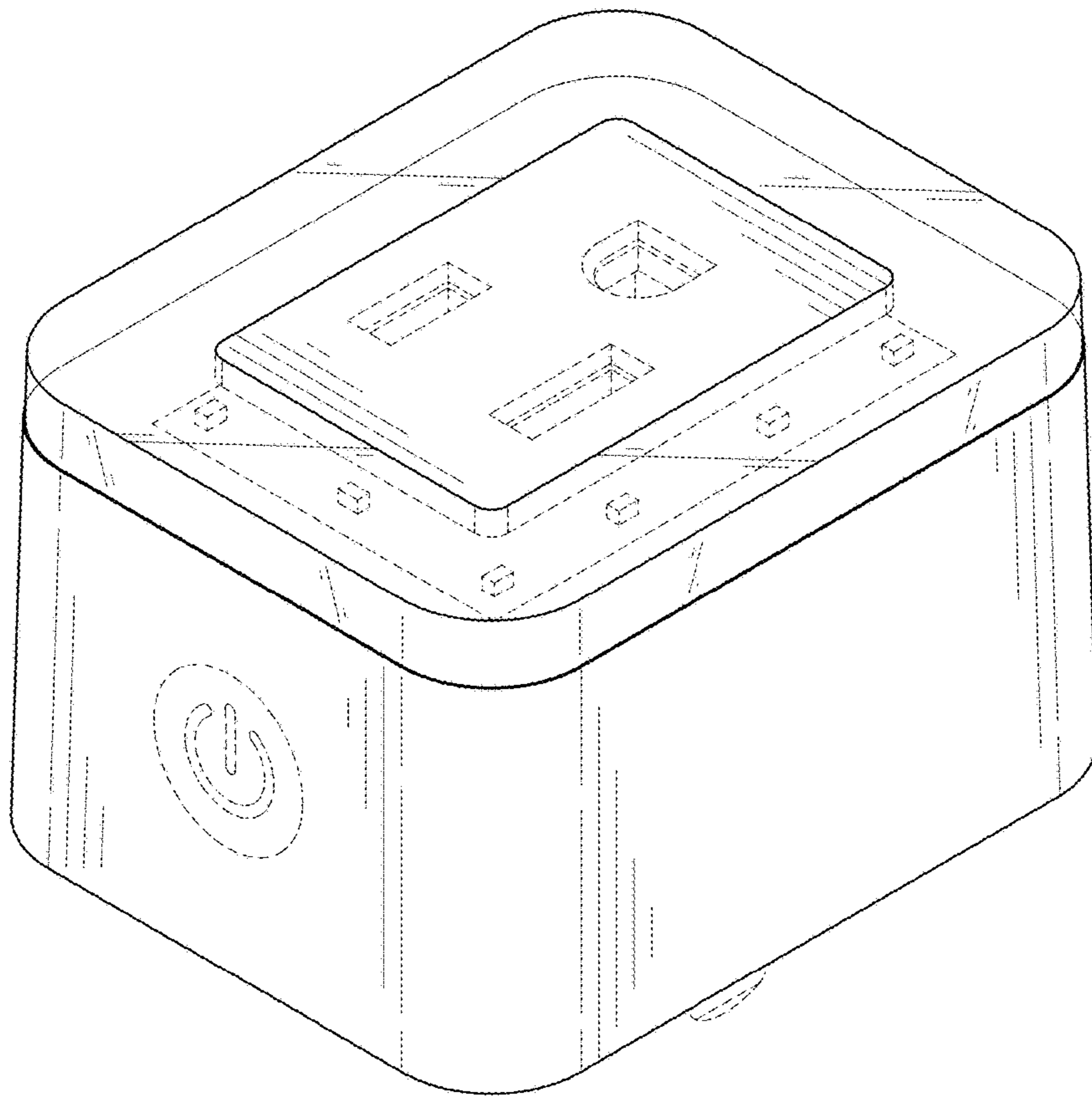


FIG. 1

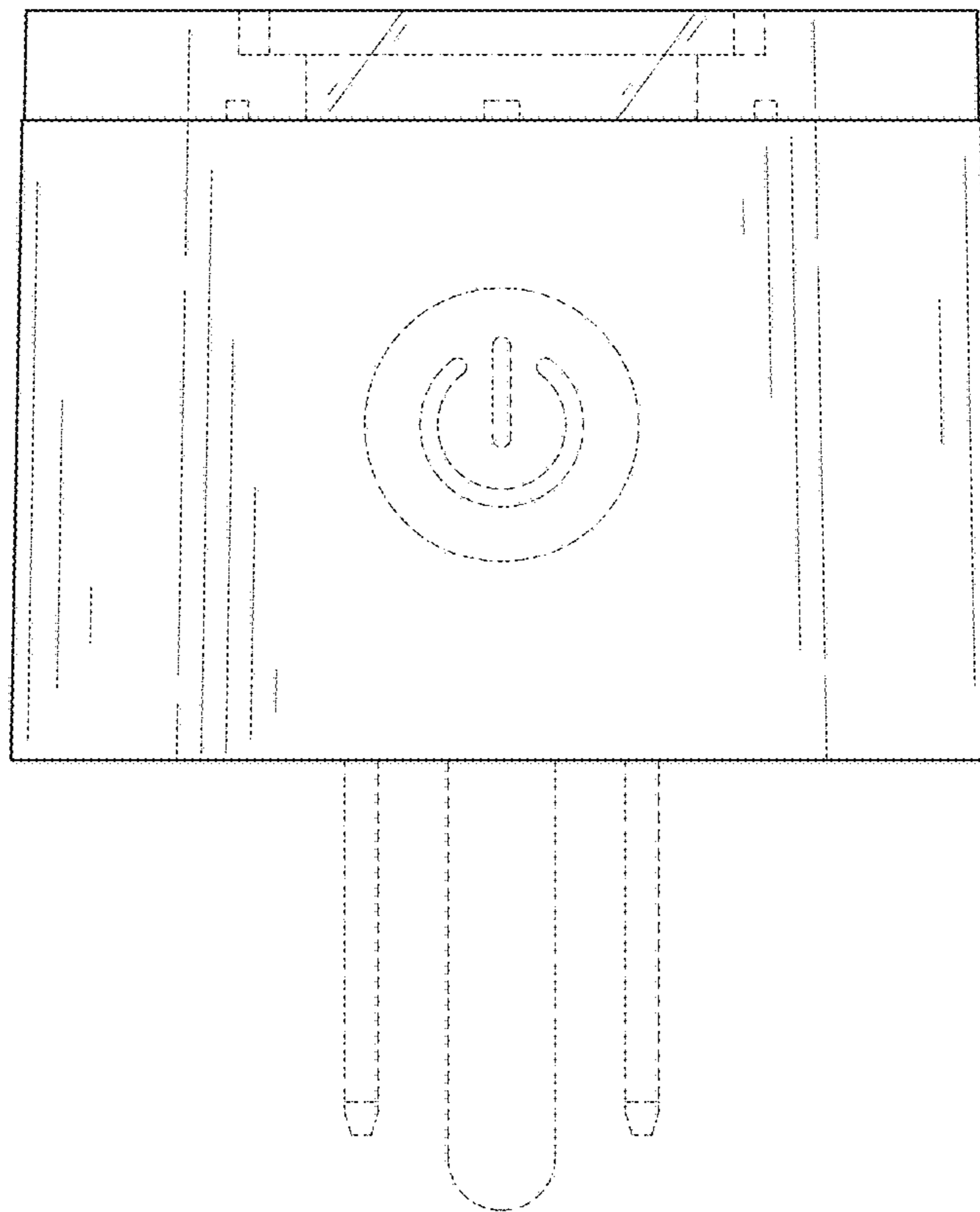


FIG. 2

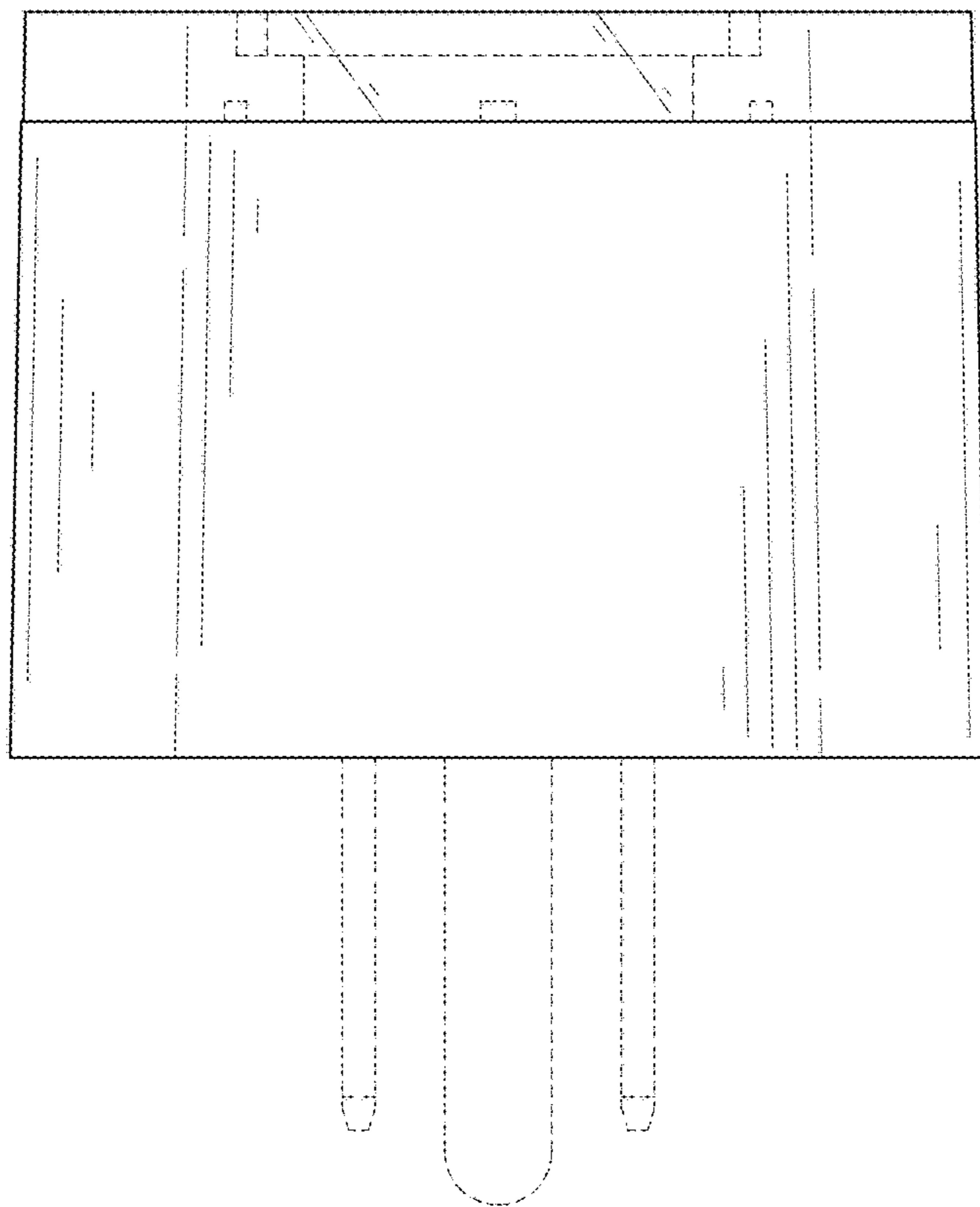


FIG. 3

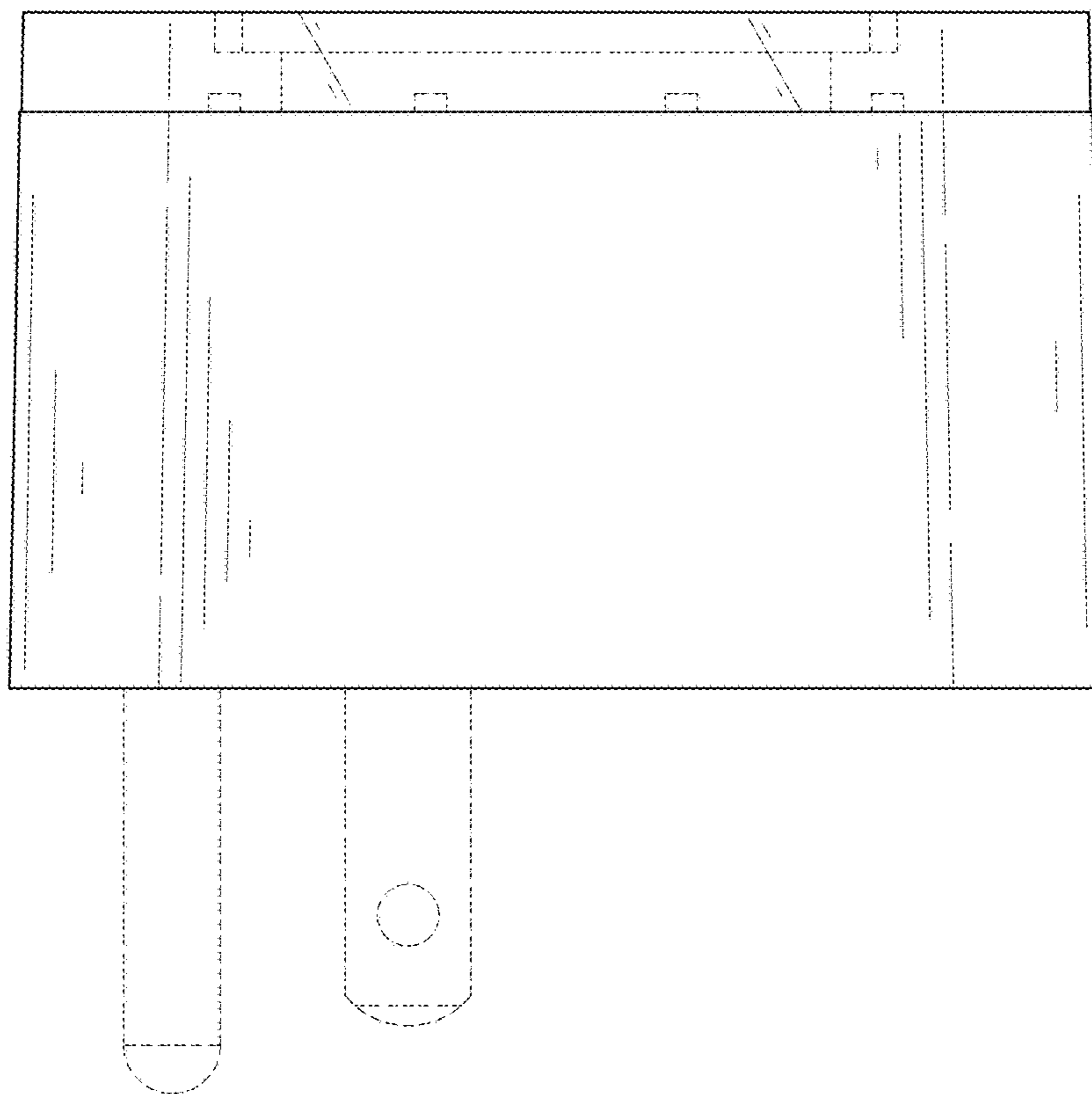


FIG. 4

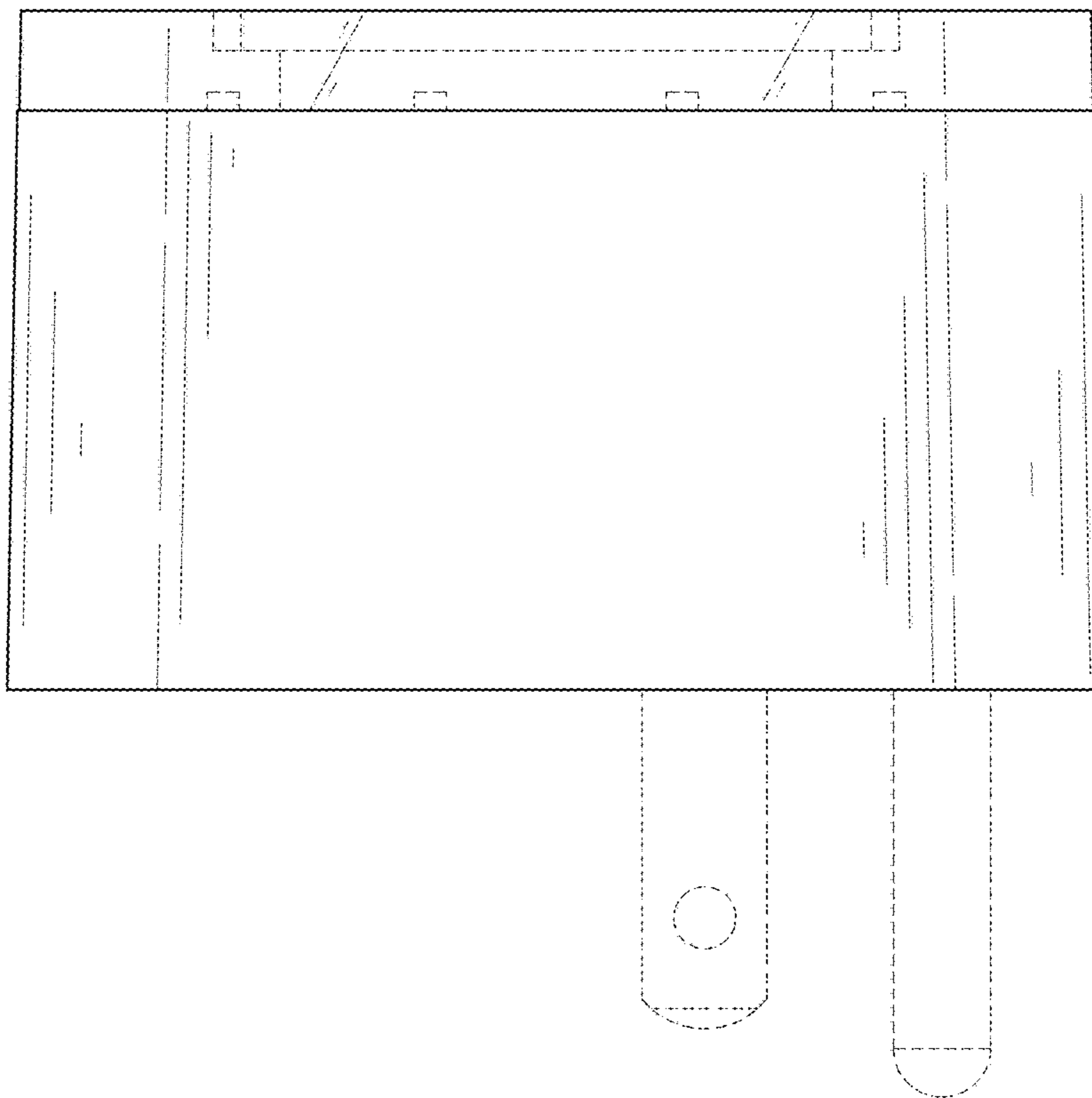


FIG. 5

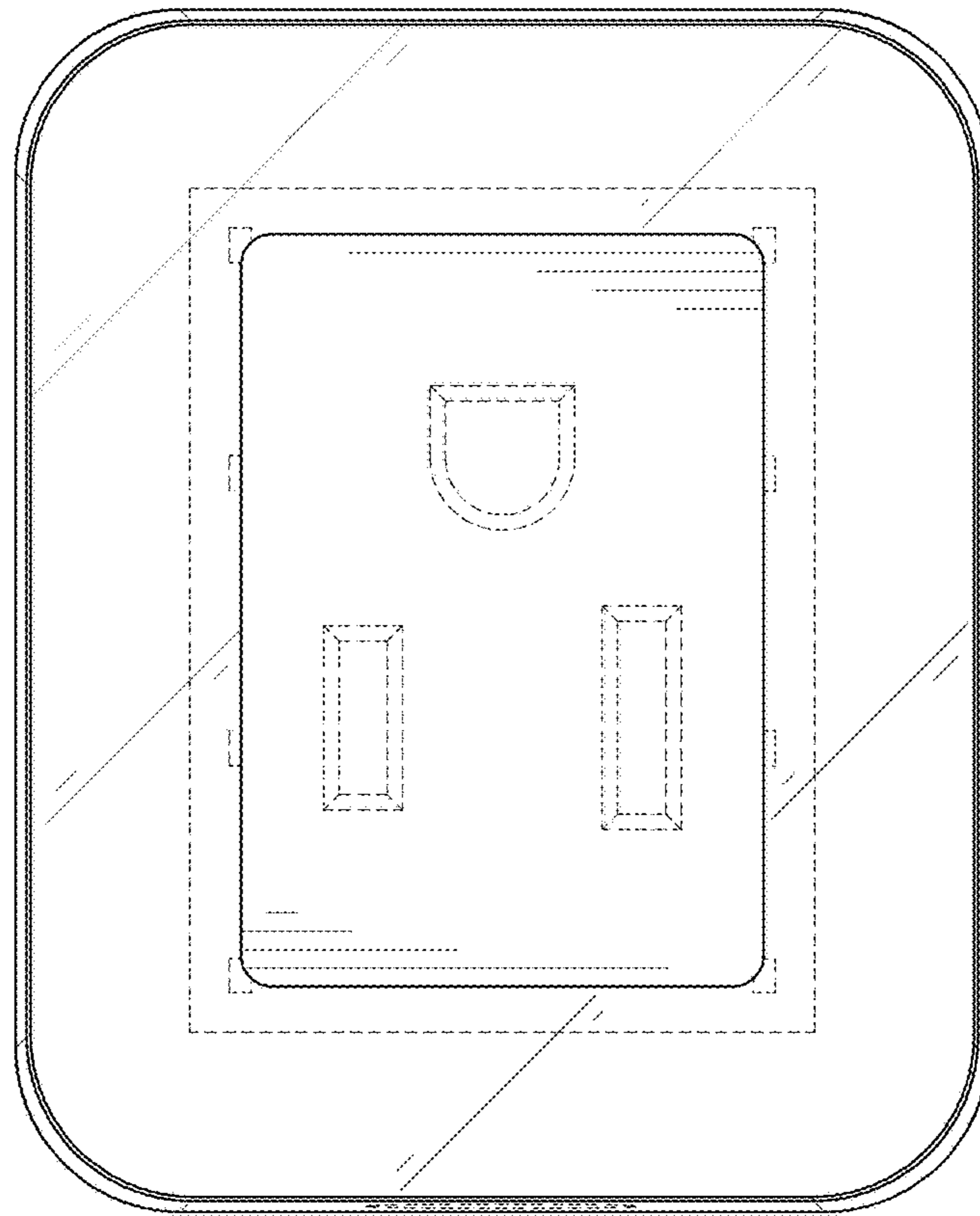


FIG. 6

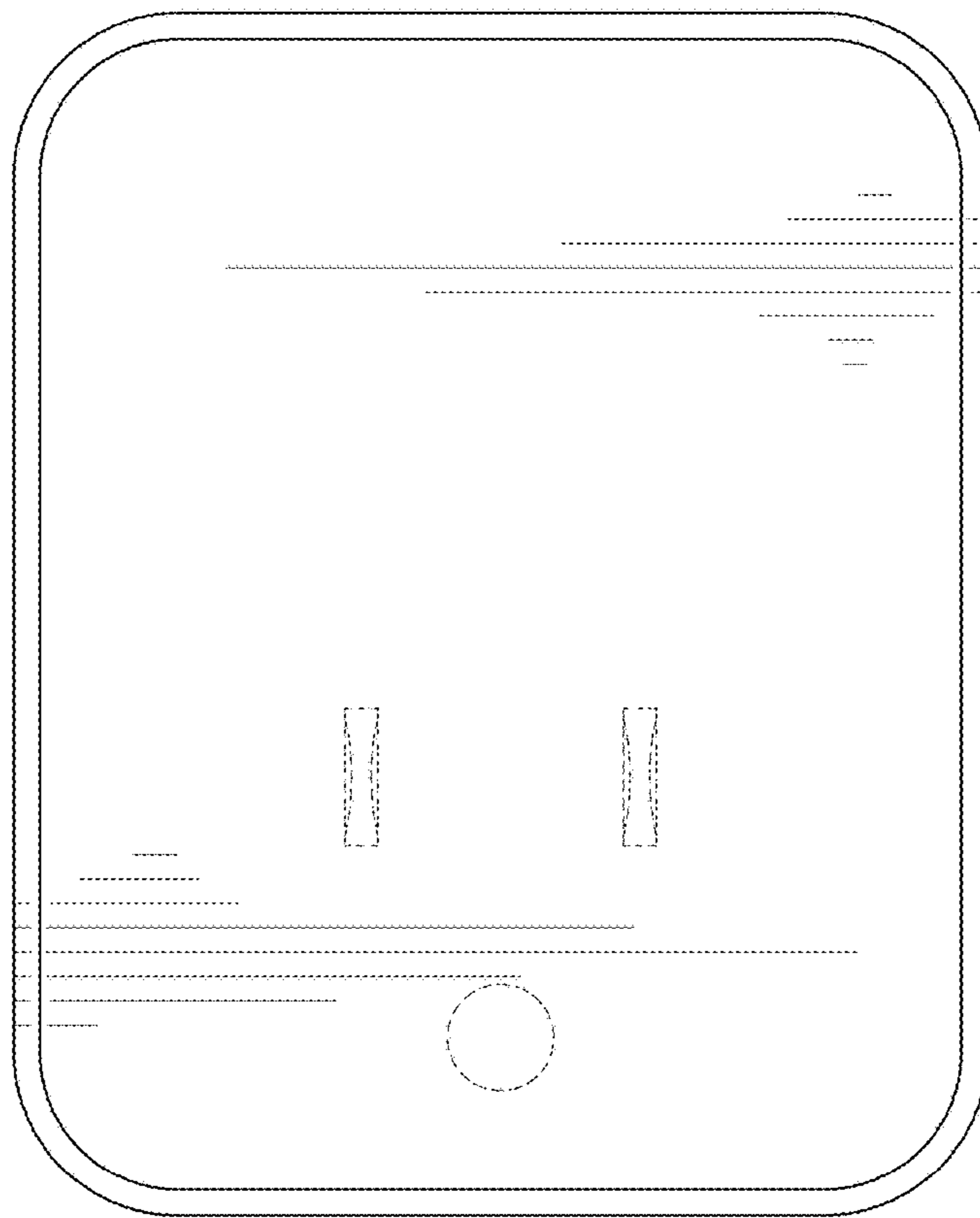


FIG. 7