



US00D858445S

(12) **United States Design Patent**  
**Ni et al.**

(10) **Patent No.:** **US D858,445 S**  
(45) **Date of Patent:** **\*\* Sep. 3, 2019**

(54) **TRIPLE USB CHARGER RECEPTACLE**

(71) Applicant: **Wenzhou MTLIC Electric Co., Ltd**,  
Yueqing, Zhejiang (CN)  
(72) Inventors: **Lidong Ni**, Yueqing (CN); **Wei Gao**,  
Yueqing (CN)  
(73) Assignee: **WENZHOU MTLIC ELECTRIC CO.,**  
**LTD**, Yueqing, Zhejiang (CN)  
(\*\*) Term: **15 Years**  
(21) Appl. No.: **29/598,622**

(22) Filed: **Mar. 27, 2017**  
(51) **LOC (12) Cl.** ..... **13-03**  
(52) **U.S. Cl.**  
USPC ..... **D13/137.1**  
(58) **Field of Classification Search**  
USPC ..... D13/137.1–137.4, 138.1, 138.2,  
D13/139.1–139.3, 145, 147, 156, 184  
CPC .. H02G 15/18; H02G 15/1826; H01R 13/516;  
H01R 13/518; H01R 13/52; H01R 13/46;  
H01R 13/50; H01R 13/506; H01R  
13/5213; H01R 25/006; H02J 7/025;  
H02J 7/0042; H02J 7/0044; H02J 7/0045;  
H02J 7/0003; H01H 21/00; H01H 21/04;  
H01H 23/00; H01H 71/02  
See application file for complete search history.

(56) **References Cited**

**U.S. PATENT DOCUMENTS**

D702,640	S	*	4/2014	Restrepo	.....	D13/139.1
D719,512	S	*	12/2014	Roy	.....	D13/139.6
D720,295	S	*	12/2014	Dodal	.....	D13/139.1
D722,562	S	*	2/2015	Restrepo	.....	D13/139.1
D731,432	S	*	6/2015	Murphy	.....	D13/139.1
D732,719	S	*	6/2015	Mozdzer	.....	D13/139.1
D744,950	S	*	12/2015	Murphy	.....	D13/139.1
D744,952	S	*	12/2015	Ni	.....	D13/139.3
9,350,557	B2	*	5/2016	Rivera	.....	H04B 1/38
9,368,982	B2	*	6/2016	Jansen	.....	H02J 7/0021
D778,239	S	*	2/2017	Ni	.....	D13/108

(Continued)

**OTHER PUBLICATIONS**

Topgreener TU2154A High Speed USB Charger Outlet, first available on Feb. 7, 2014 on amazon.com, retrieved on Jun. 29, 2018, retrieved from the Internet URL: <https://www.amazon.com/TOPGREENER-TU2154A-Electrical-Receptacle-Screwless/dp/B00IaZIU5Y>.\*

(Continued)

*Primary Examiner* — Jennifer Rivard  
*Assistant Examiner* — Alison M Ofstun  
(74) *Attorney, Agent, or Firm* — Ziegler IP Law Group, LLC

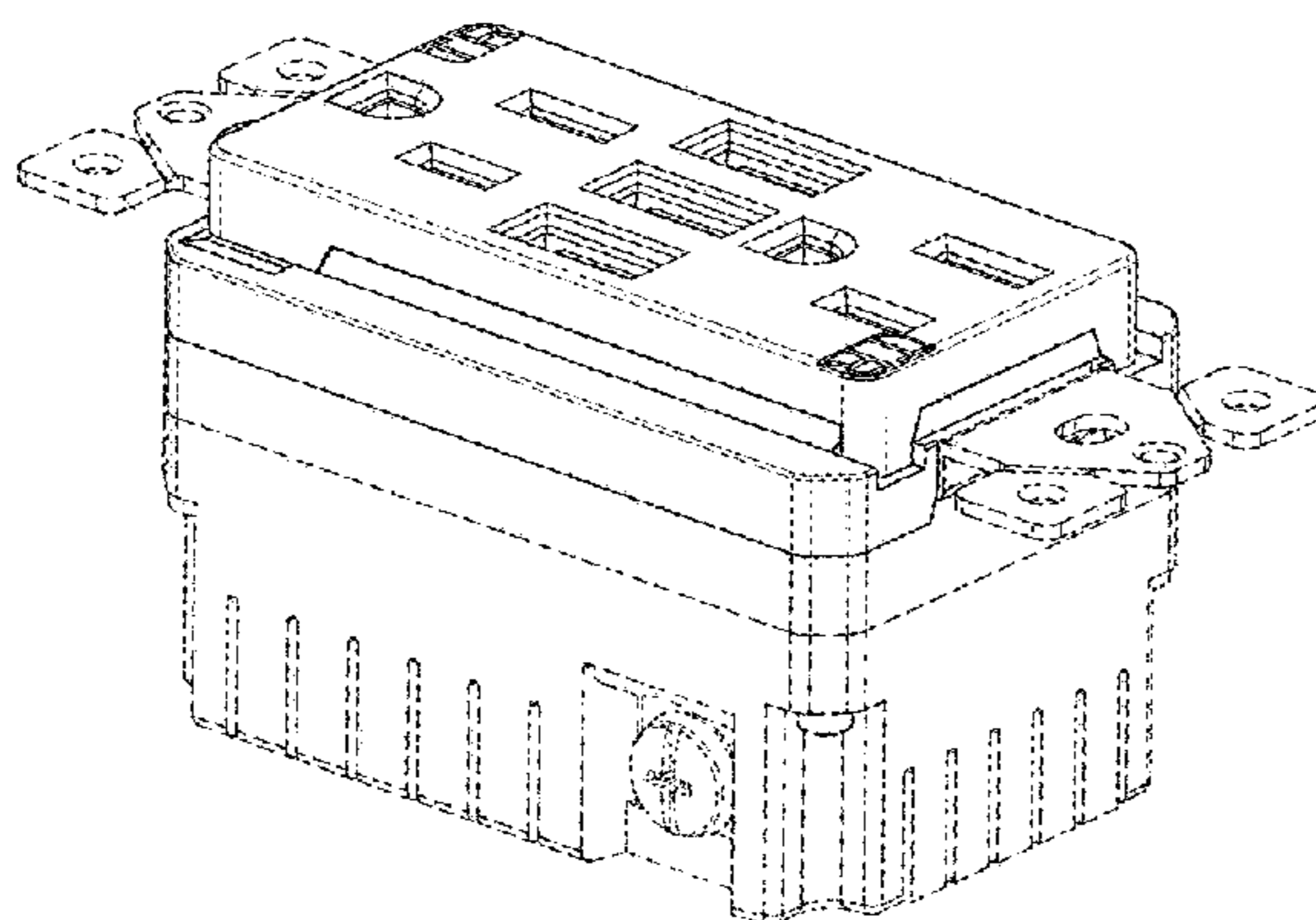
(57) **CLAIM**

The ornamental design for a triple USB charger receptacle, as shown and described.

**DESCRIPTION**

FIG. 1 is a perspective view of a first embodiment of a triple USB charger receptacle showing the new design;  
FIG. 2 is a front view thereof;  
FIG. 3 is a perspective view of a second embodiment of a triple USB charger receptacle showing the new design;  
FIG. 4 is a front view thereof;  
FIG. 5 is a left view thereof, the left view of the embodiment illustrated in FIG. 1 being the same;  
FIG. 6 is a right view thereof, the right view of the embodiment illustrated in FIG. 1 being the same;  
FIG. 7 is a top view thereof, the top view of the embodiment illustrated in FIG. 1 being the same;  
FIG. 8 is a bottom view thereof, the bottom view of the embodiment illustrated in FIG. 1 being the same; and,  
FIG. 9 is a back view thereof, the back view of the embodiment illustrated in FIG. 1 being the same.  
The broken lines in the figures represent portions of the article which form no part of the claimed design.

**1 Claim, 9 Drawing Sheets**



(56)

**References Cited**

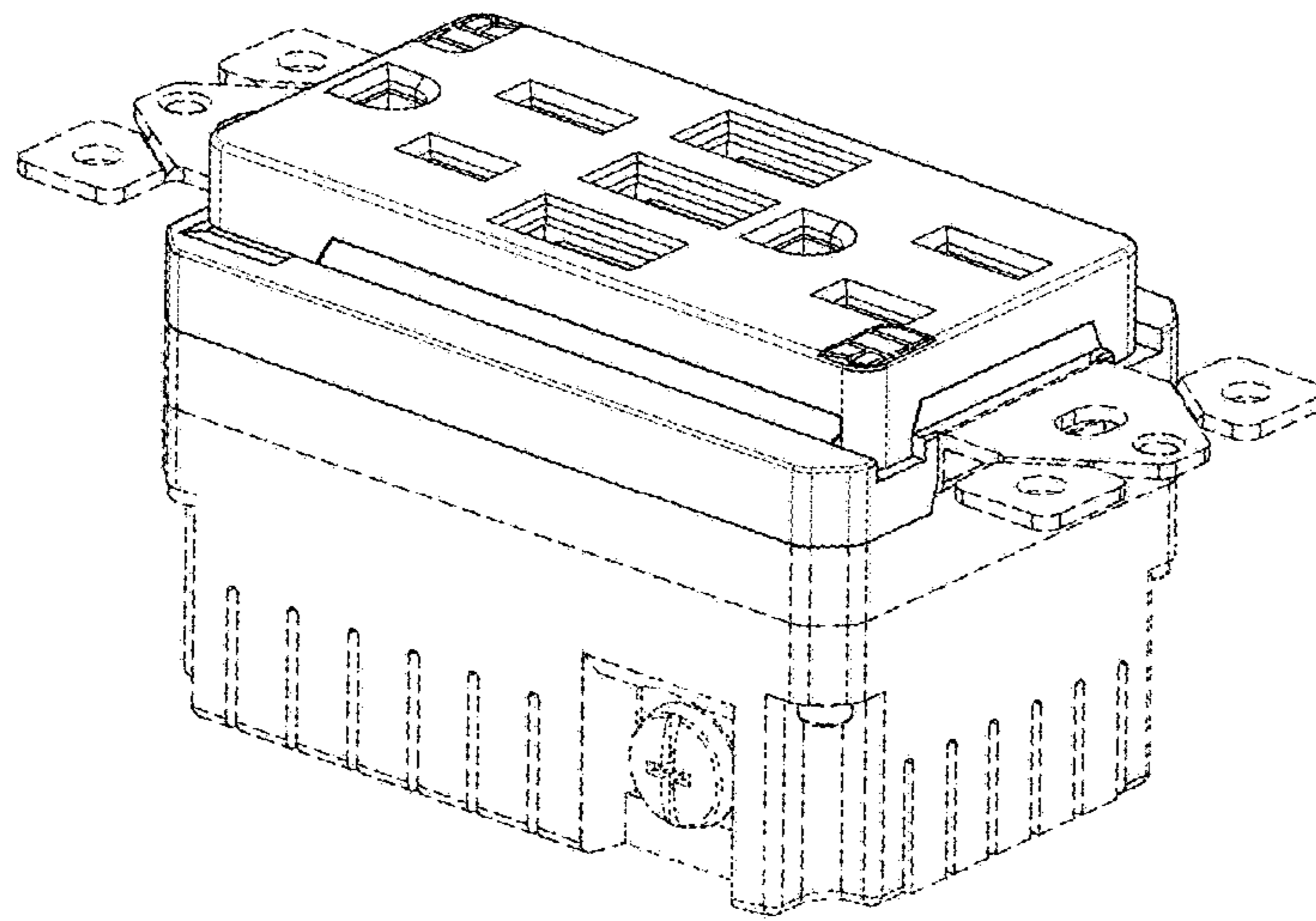
U.S. PATENT DOCUMENTS

D794,575 S \* 8/2017 Mortun ..... D13/139.1  
9,786,460 B2 \* 10/2017 Simonin ..... H01R 13/7135  
D813,818 S \* 3/2018 Ni ..... D13/137.2  
D820,211 S \* 6/2018 Salas ..... D13/137.2  
2016/0233621 A1 \* 8/2016 Ni ..... H01R 27/02

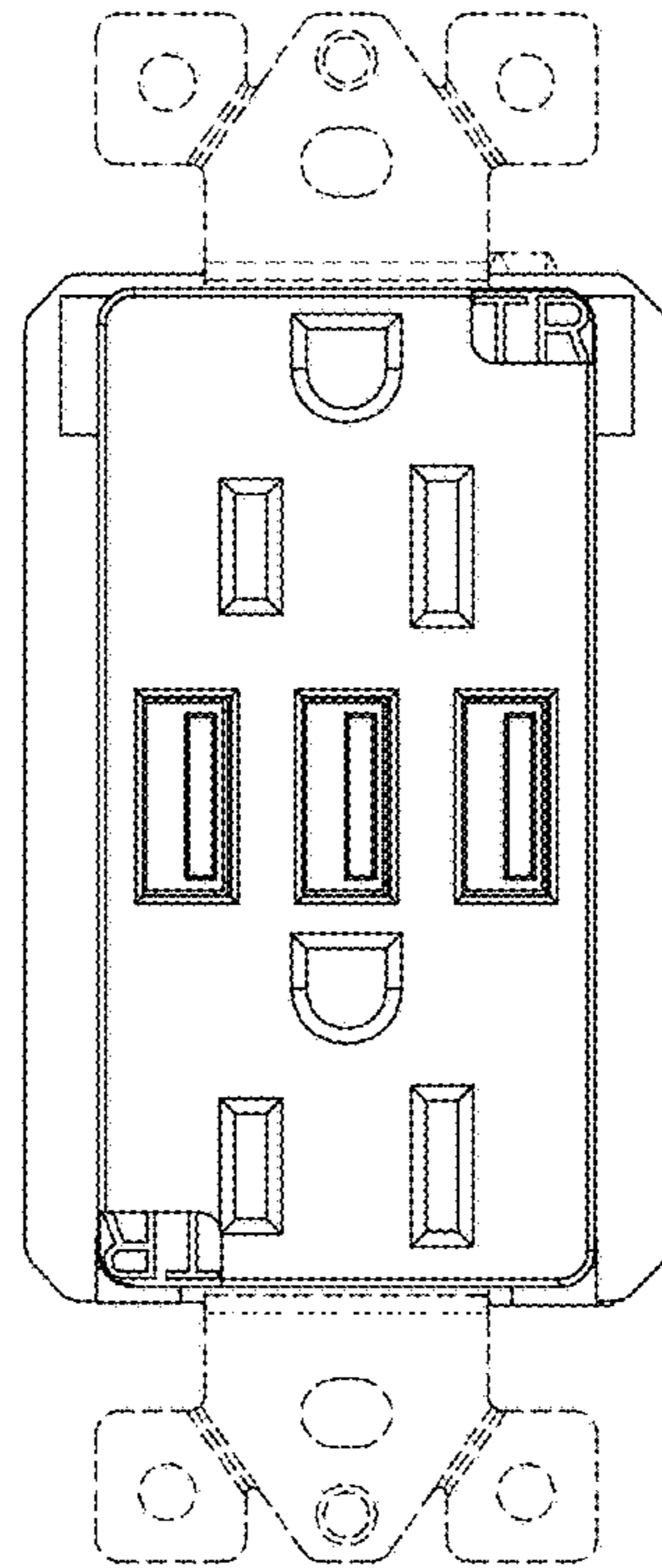
OTHER PUBLICATIONS

Topgreener TU21558A3 Ultra-High-Speed Three Port Type-A USB  
Outlet 5.8A-29W, first available on Aug. 4, 2017 on amazon.com,  
retrieved on Jun. 29, 2018, retrieved from the Internet URL:  
[https://www.amazon.com/dp/B074KMP8W/ref=psdc\\_6396125011\\_t1\\_B074KNHQJ](https://www.amazon.com/dp/B074KMP8W/ref=psdc_6396125011_t1_B074KNHQJ).\*

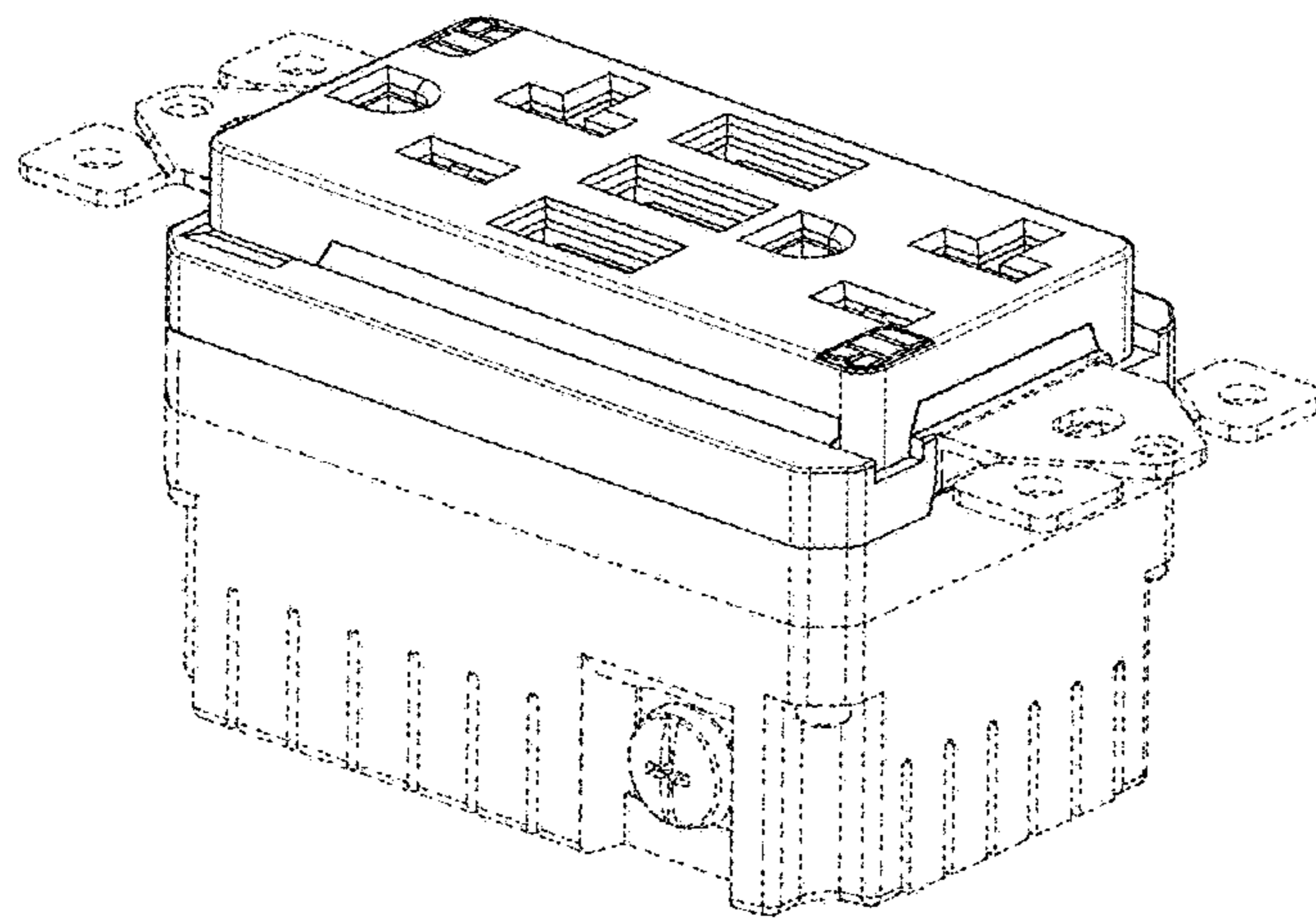
\* cited by examiner



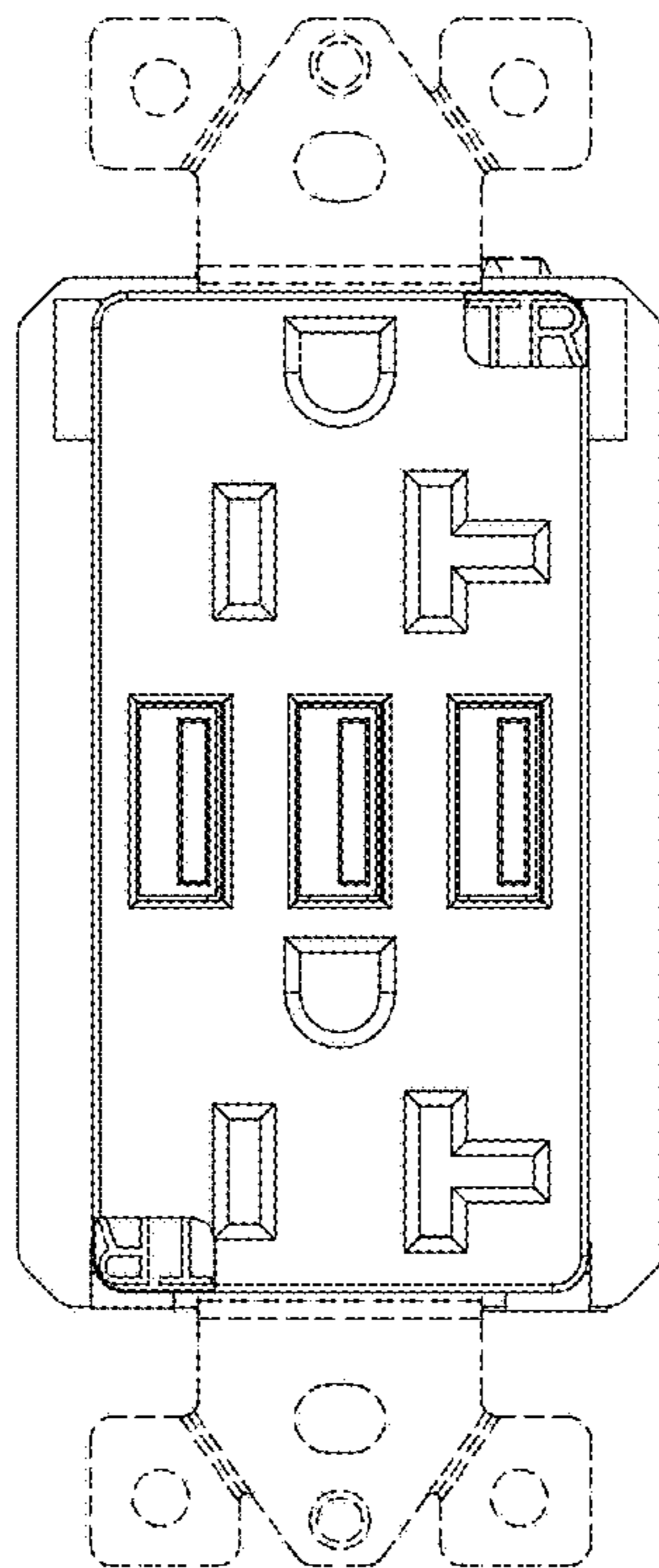
**FIG 1**



**FIG 2**



**FIG 3**



**FIG 4**

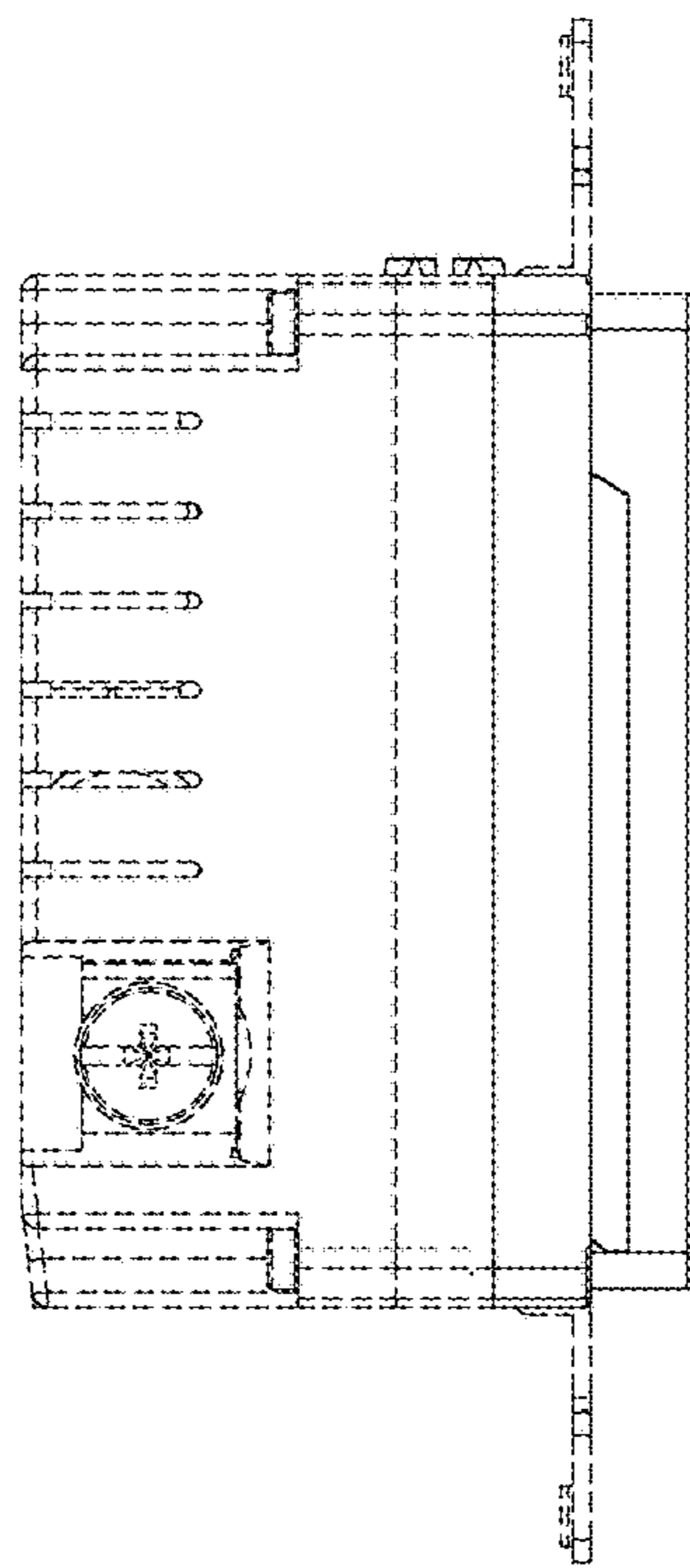


FIG 5

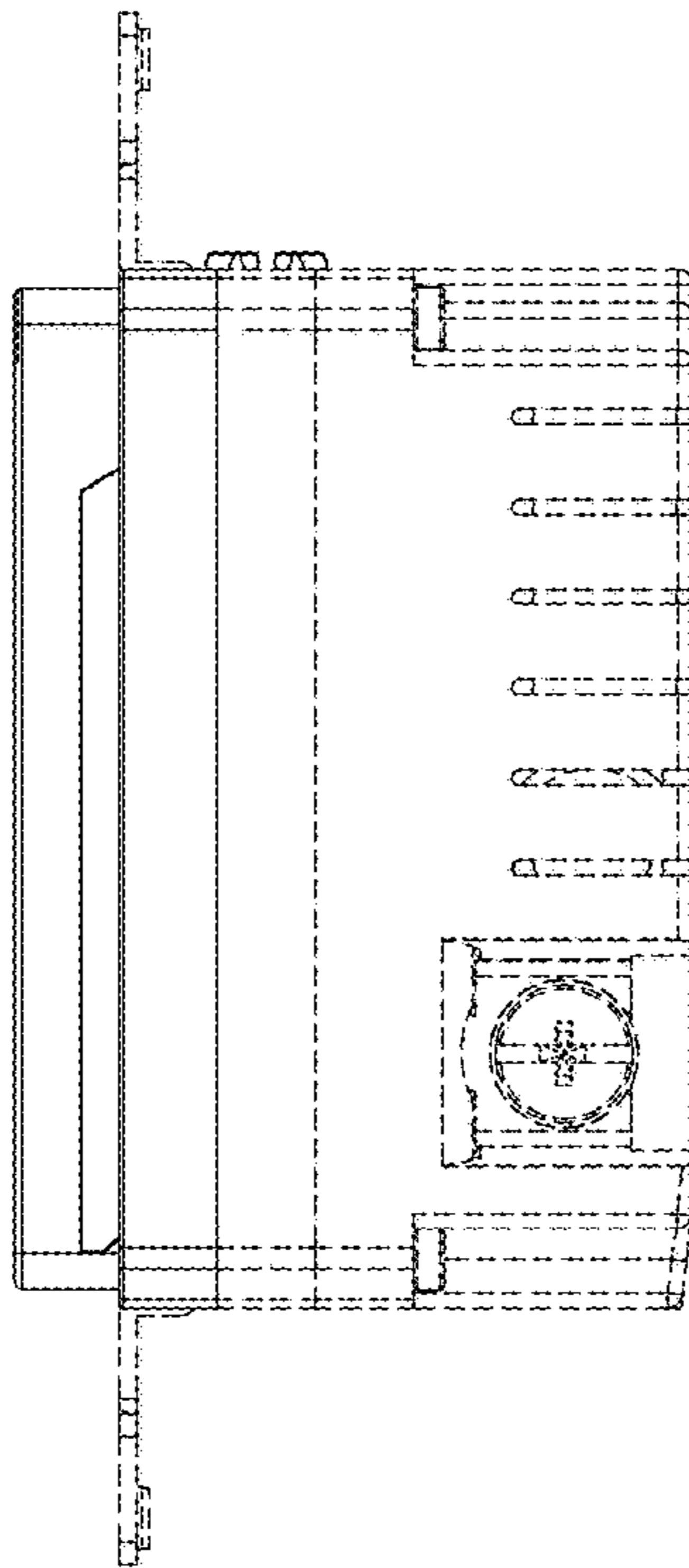
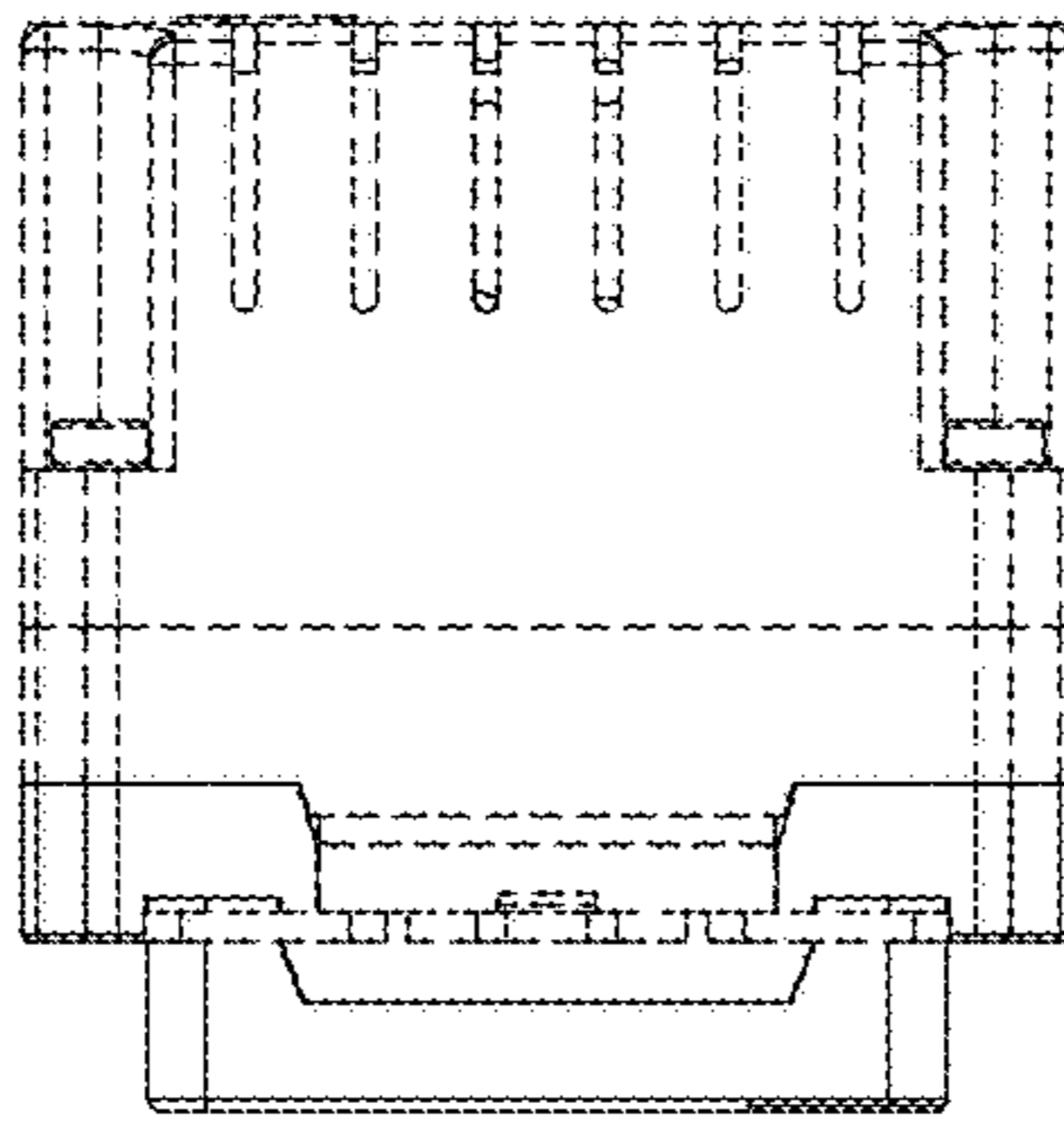
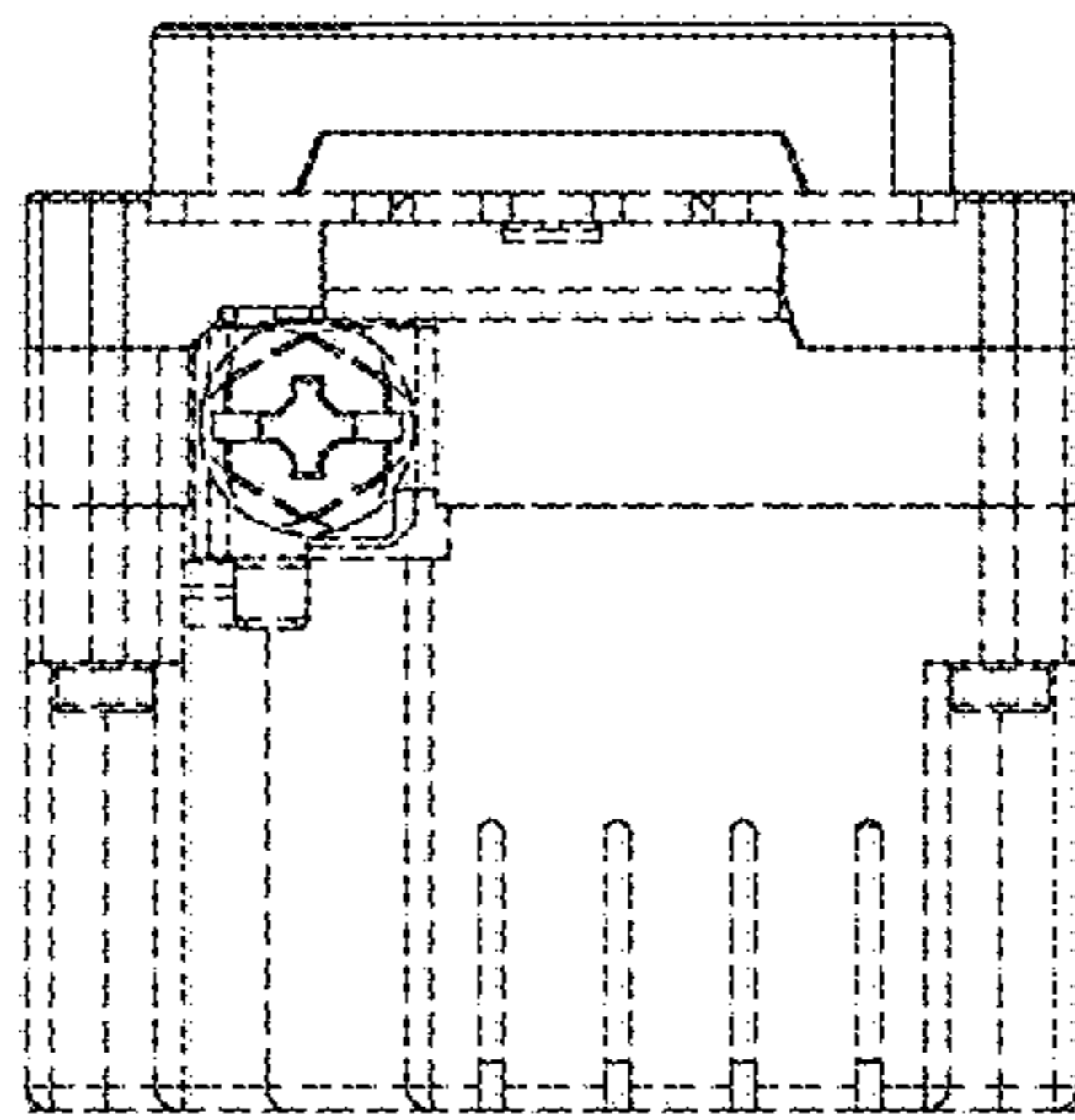


FIG 6

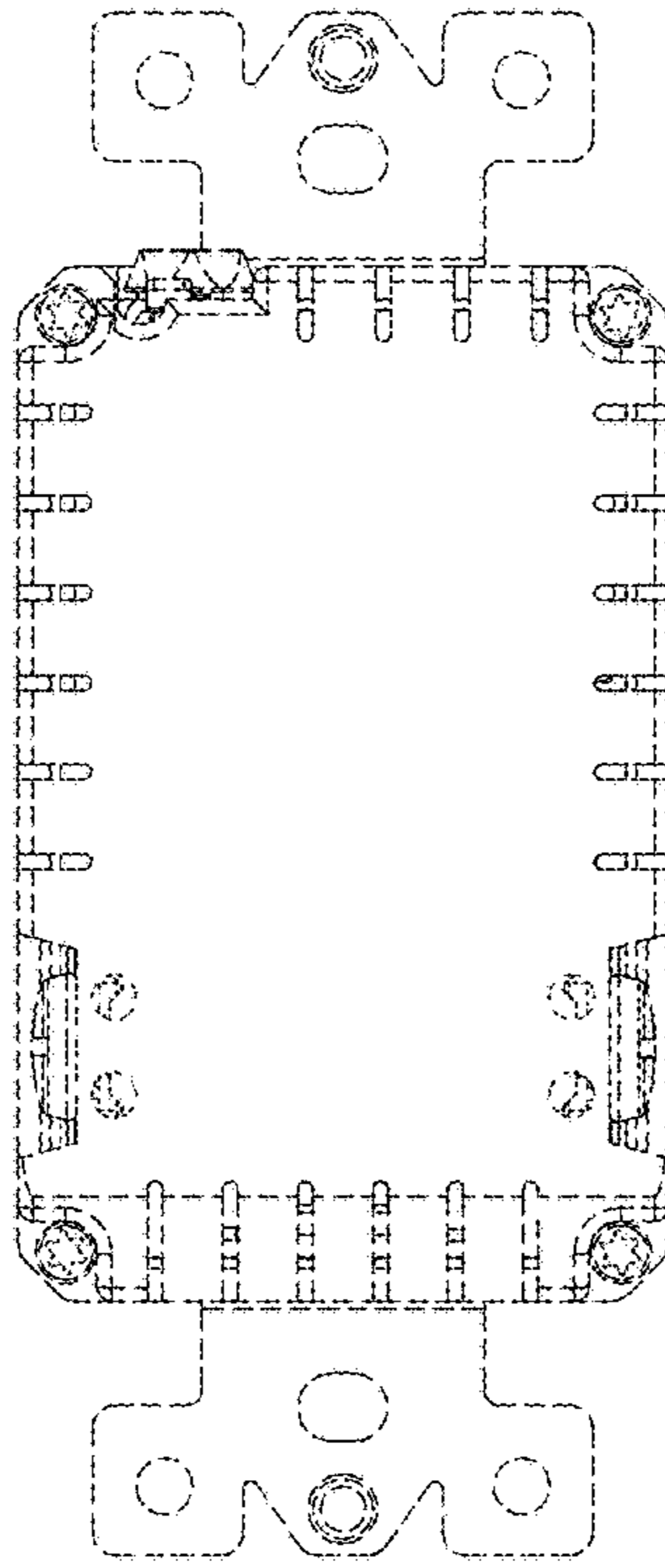




**FIG 7**



**FIG 8**



**FIG 9**