



US00D858444S

(12) **United States Design Patent** (10) **Patent No.:** **US D858,444 S**
Ni et al. (45) **Date of Patent:** **** Sep. 3, 2019**

(54) **TRIPLE USB MODULE CHARGER RECEPTACLE**

(71) Applicant: **Wenzhou MTLIC Electric Co., Ltd**, Yueqing, Zhejiang (CN)
(72) Inventors: **Lidong Ni**, Yueqing (CN); **Wei Gao**, Yueqing (CN)
(73) Assignee: **WENZHOU MTLIC ELECTRIC CO., LTD**, Yueqing, Zhejiang (CN)
(**) Term: **15 Years**

(21) Appl. No.: **29/598,533**
(22) Filed: **Mar. 27, 2017**
(51) **LOC (12) Cl.** **13-03**
(52) **U.S. Cl.**
USPC **D13/137.1**
(58) **Field of Classification Search**
USPC D13/137.1–137.4, 138.1, 138.2, D13/139.1–139.3, 145, 147, 156, 184
CPC .. H02G 15/18; H02G 15/1826; H01R 13/516; H01R 13/518; H01R 13/52; H01R 13/46; H01R 13/50; H01R 13/506; H01R 13/5213; H01R 25/006; H02J 7/025; H02J 7/0042; H02J 7/0044; H02J 7/0045; H02J 7/0003; H01H 21/00; H01H 21/04; H01H 23/00; H01H 71/02
See application file for complete search history.

(56) **References Cited**

U.S. PATENT DOCUMENTS

D702,640 S * 4/2014 Restrepo D13/139.1
D719,512 S * 12/2014 Roy D13/139.6
D720,295 S * 12/2014 Dodal D13/139.1
D722,562 S * 2/2015 Restrepo D13/139.1
D731,432 S * 6/2015 Murphy D13/139.1
D732,719 S * 6/2015 Mozdzer D13/139.1
D744,950 S * 12/2015 Murphy D13/139.1
D744,952 S * 12/2015 Ni D13/139.3

(Continued)

OTHER PUBLICATIONS

Topgreener TU2154A High Speed USB Charger Outlet, first available on Feb. 7, 2014 on amazon.com, retrieved on Jun. 29, 2018, retrieved from the Internet URL: <https://www.amazon.com/TOPGREENER-TU2154A-Electrical-Receptacle-Screwless/dp/B00IAZIU5Y>.*

(Continued)

Primary Examiner — Jennifer Rivard
Assistant Examiner — Alison M Ofstun
(74) *Attorney, Agent, or Firm* — Ziegler IP Law Group, LLC

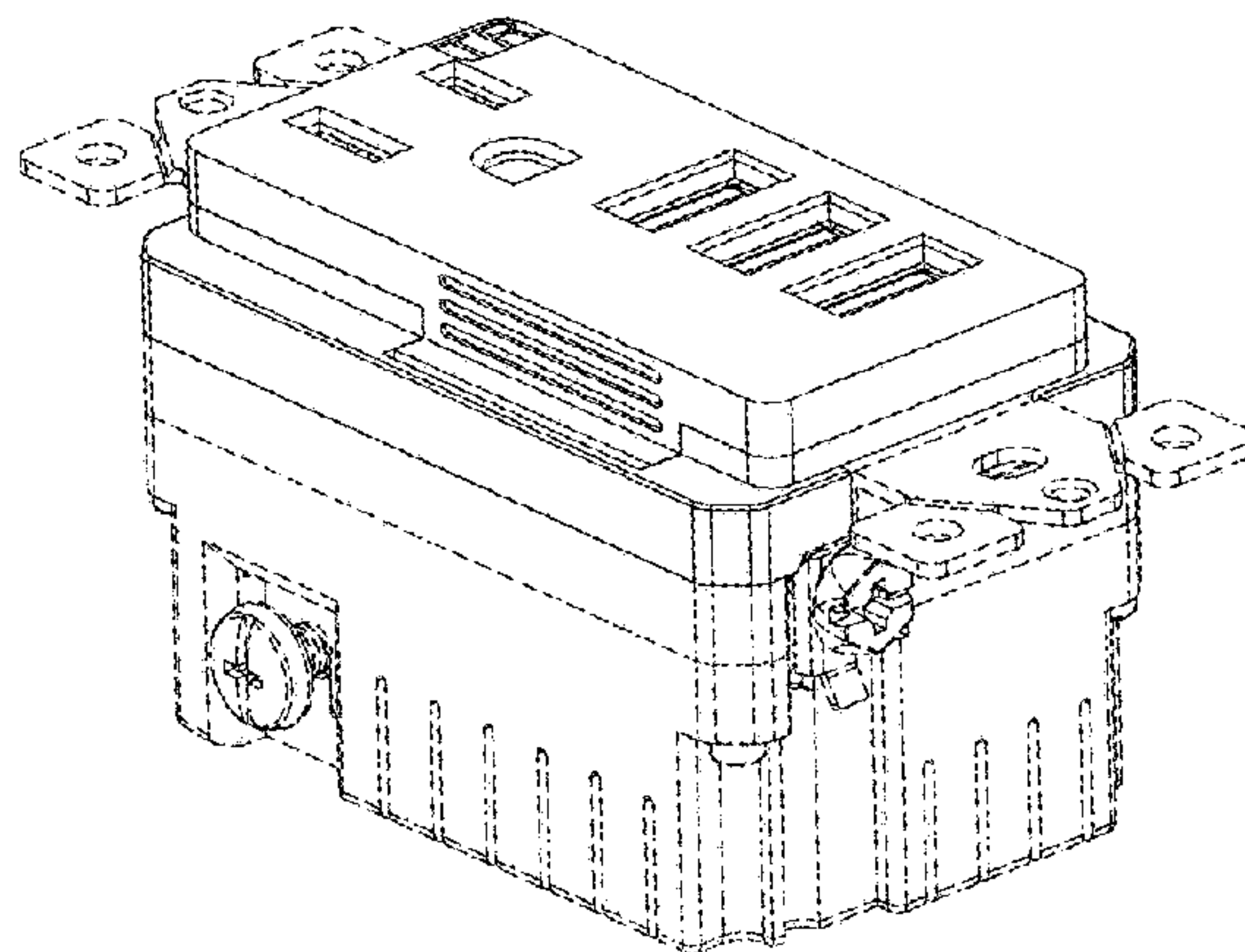
(57) **CLAIM**

The ornamental design for a triple USB module charger receptacle, as shown and described.

DESCRIPTION

FIG. 1 is a perspective view of a first embodiment of a triple USB module charger receptacle showing the new design; FIG. 2 is a front view thereof; FIG. 3 is a perspective view of a second embodiment of a triple USB module charger receptacle showing the new design; FIG. 4 is a front view thereof; FIG. 5 is a left view thereof, the left view of the embodiment illustrated in FIG. 1 being the same; FIG. 6 is a right view thereof, the right view of the embodiment illustrated in FIG. 1 being the same; FIG. 7 is a top view thereof, the top view of the embodiment illustrated in FIG. 1 being the same; FIG. 8 is a bottom view thereof, the bottom view of the embodiment illustrated in FIG. 1 being the same; and, FIG. 9 is a back view thereof, the back view of the embodiment illustrated in FIG. 1 being the same. The broken lines in the figures represent portions of the article which form no part of the claimed design.

1 Claim, 9 Drawing Sheets



(56)

References Cited

U.S. PATENT DOCUMENTS

9,350,557 B2 * 5/2016 Rivera H04B 1/38
9,368,982 B2 * 6/2016 Jansen H02J 7/0021
D778,239 S * 2/2017 Ni D13/108
D794,575 S * 8/2017 Mortun D13/139.1
9,786,460 B2 * 10/2017 Simonin H01R 13/7135
D813,818 S * 3/2018 Ni D13/137.2
D820,211 S * 6/2018 Salas D13/137.2
2016/0233621 A1 * 8/2016 Ni H01R 27/02

OTHER PUBLICATIONS

Topgreener TU11558A3 USB Charger Outlet 3-Port Ultra High Speed 5.8A, first available on Aug. 4, 2017 on amazon.com, retrieved on Jun. 29, 2018, retrieved from the Internet URL: https://www.amazon.com/dp/B074KNHQQJ/ref=sspa_dk_detail_2?psc=1&pd_rd_i=B074KNHQQJ&pf_rd_m=ATVPDKIKX0DER&pf_rd_p=1713835751726239774&pf_rd_r=2.*

* cited by examiner

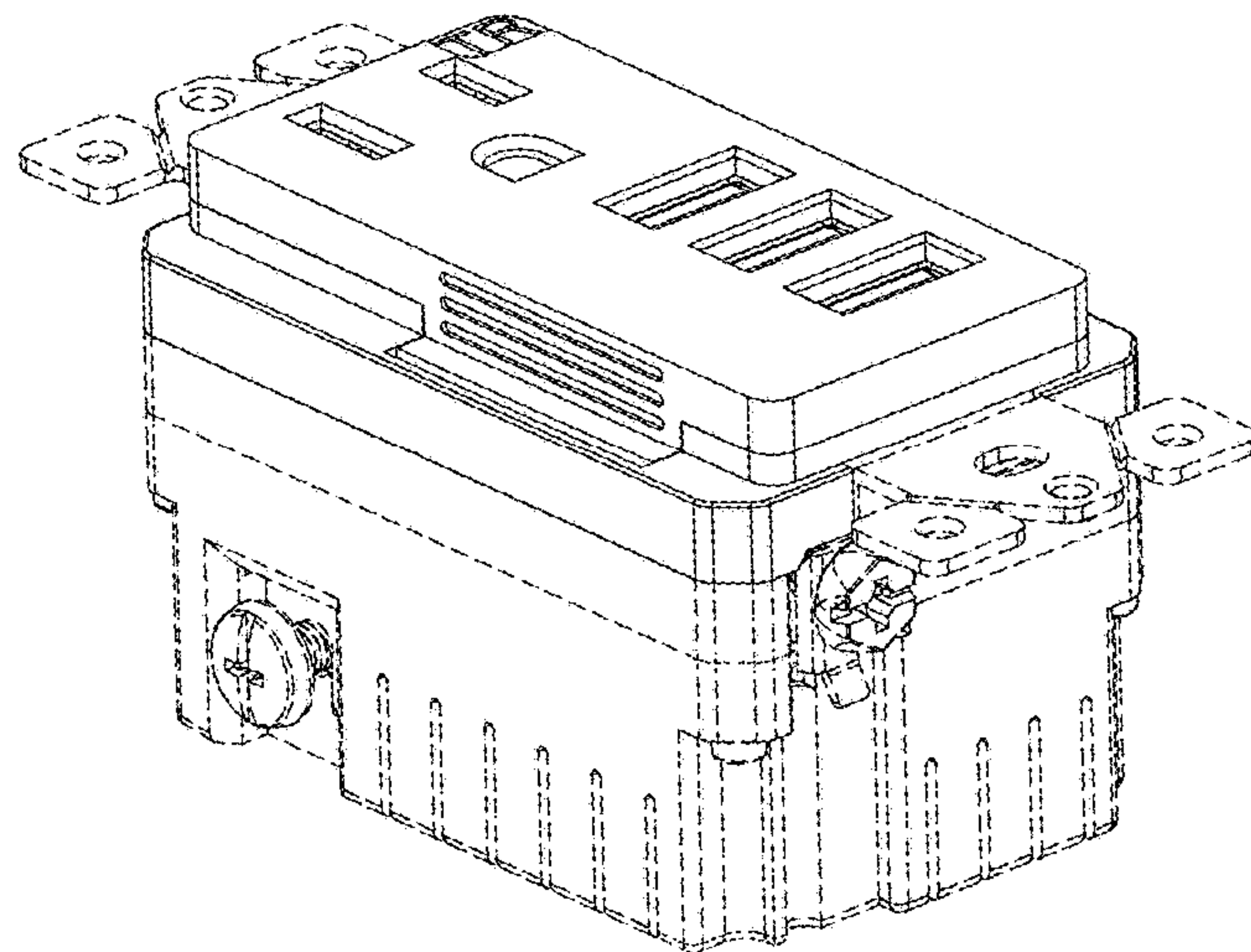


FIG 1

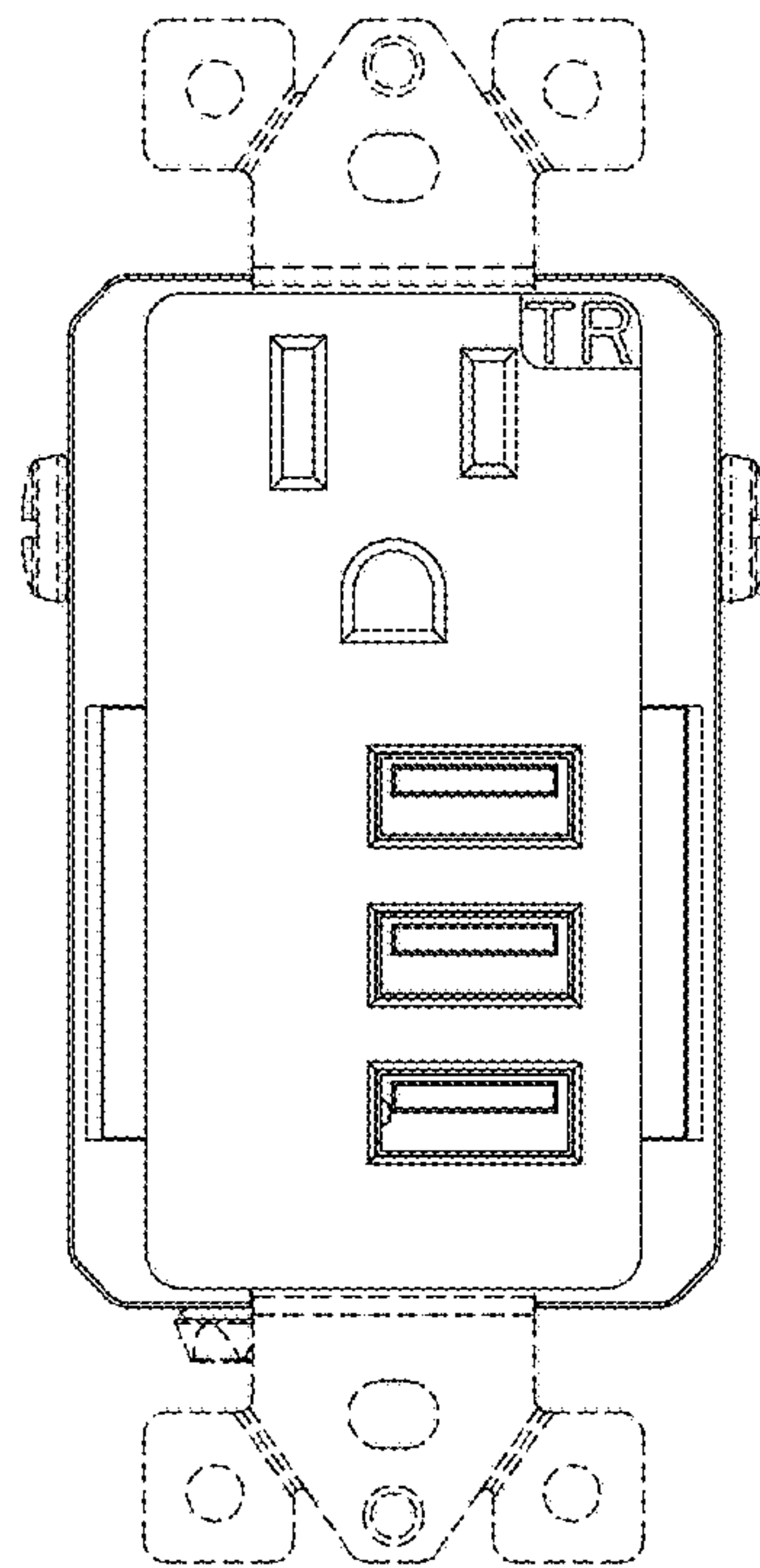


FIG 2

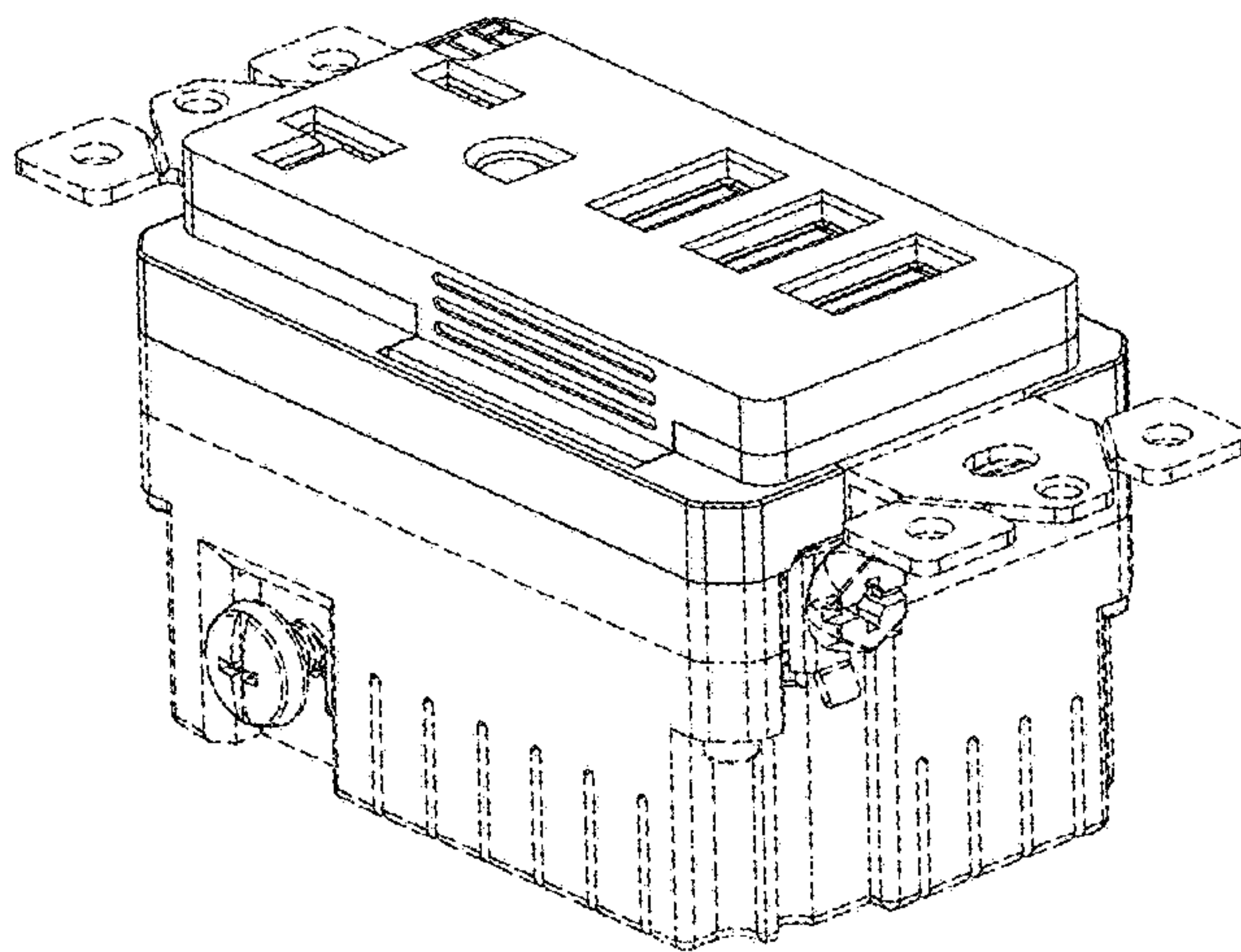


FIG 3

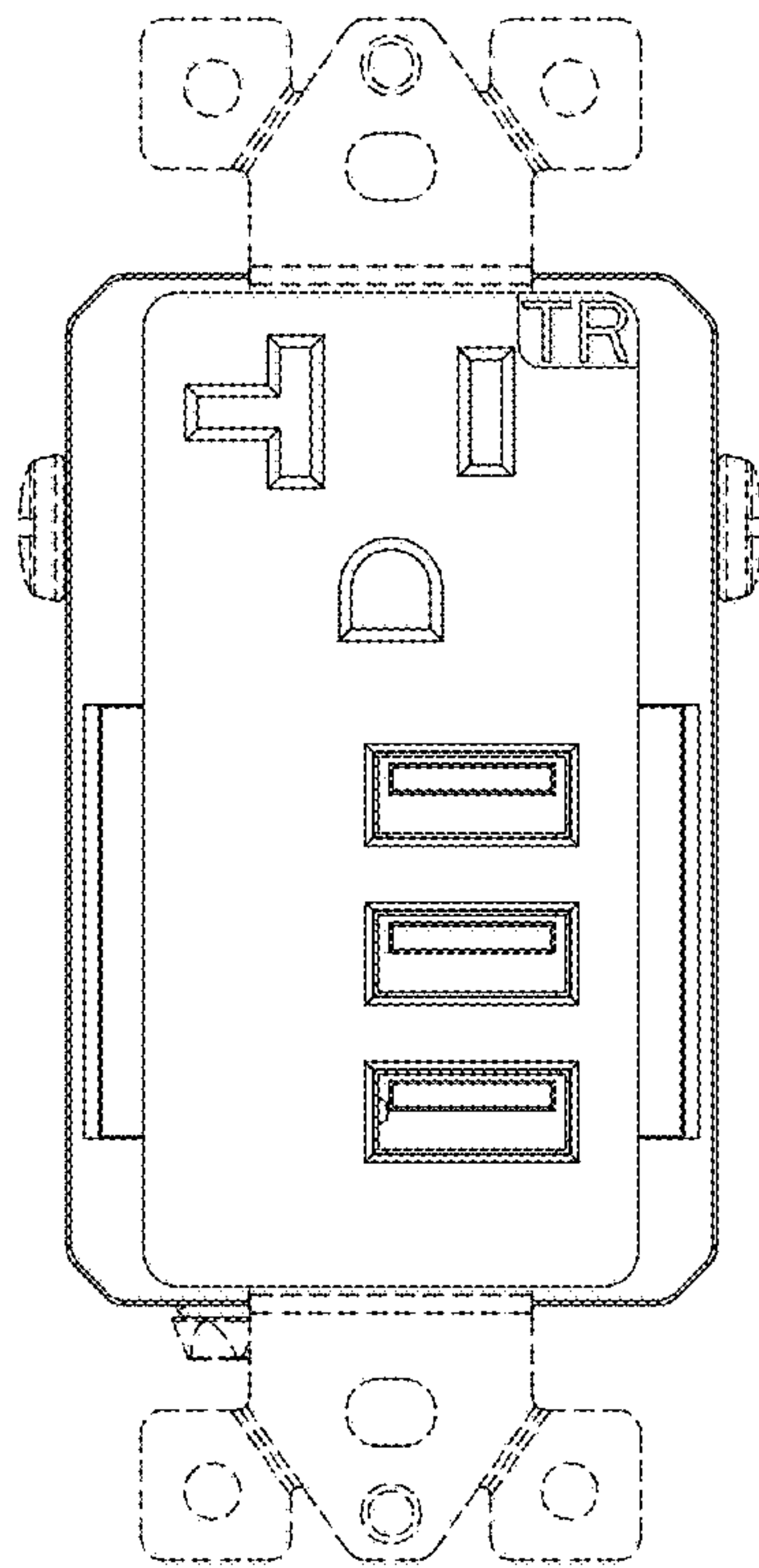


FIG 4

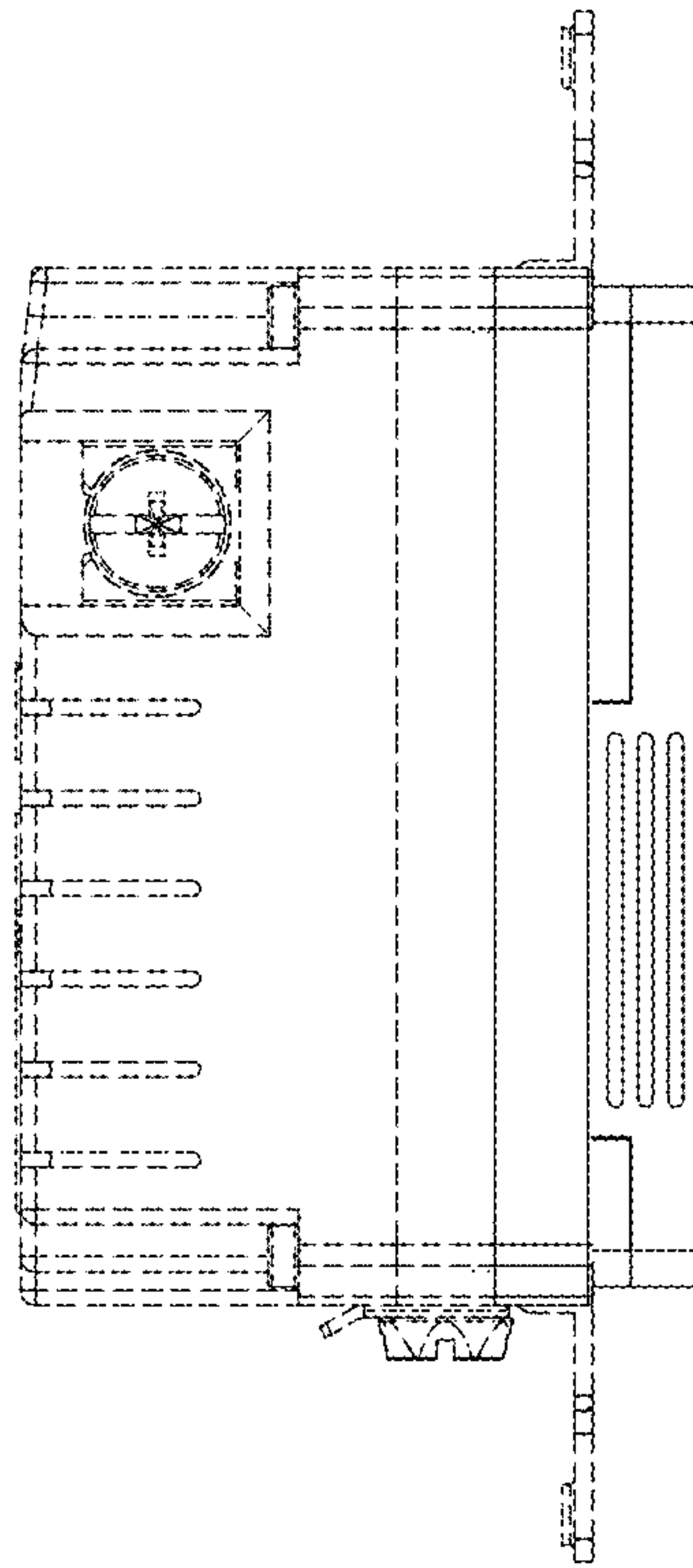


FIG 5

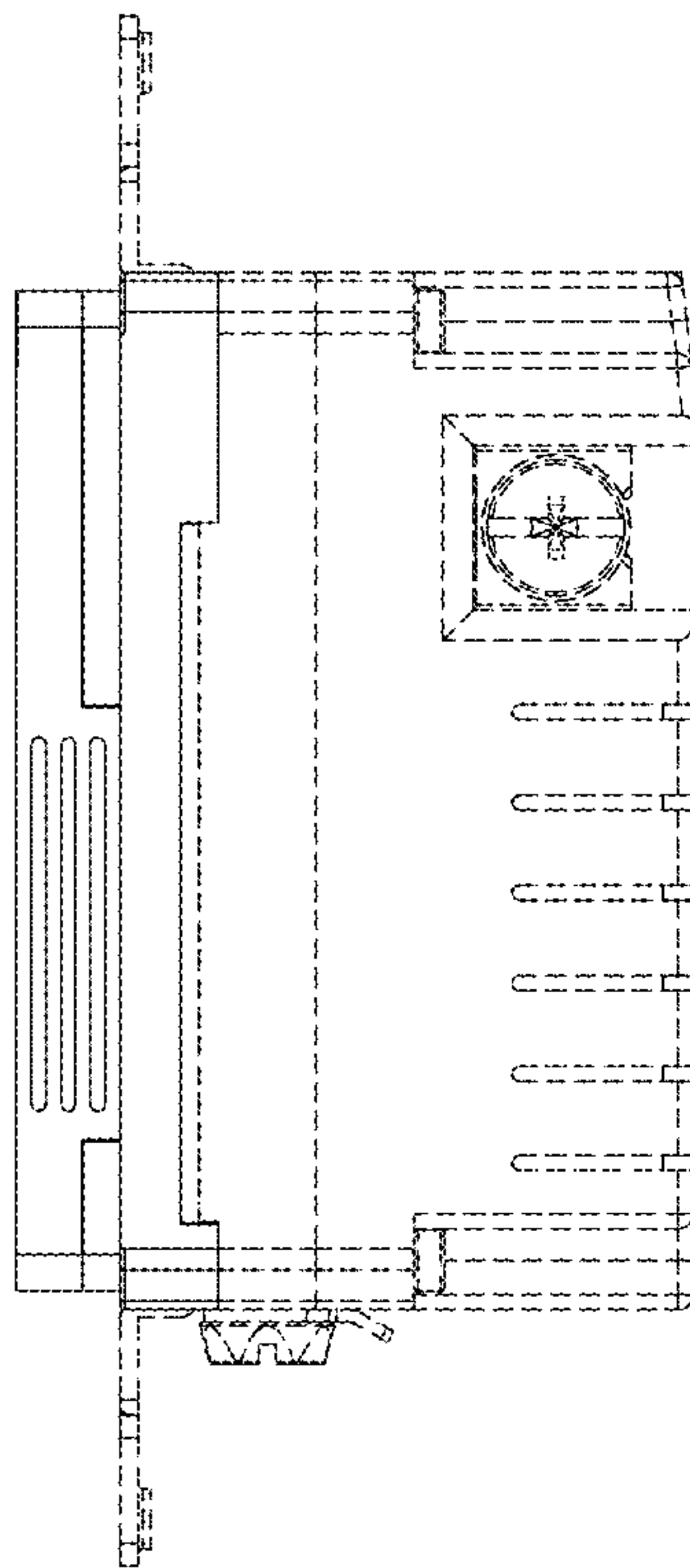


FIG 6

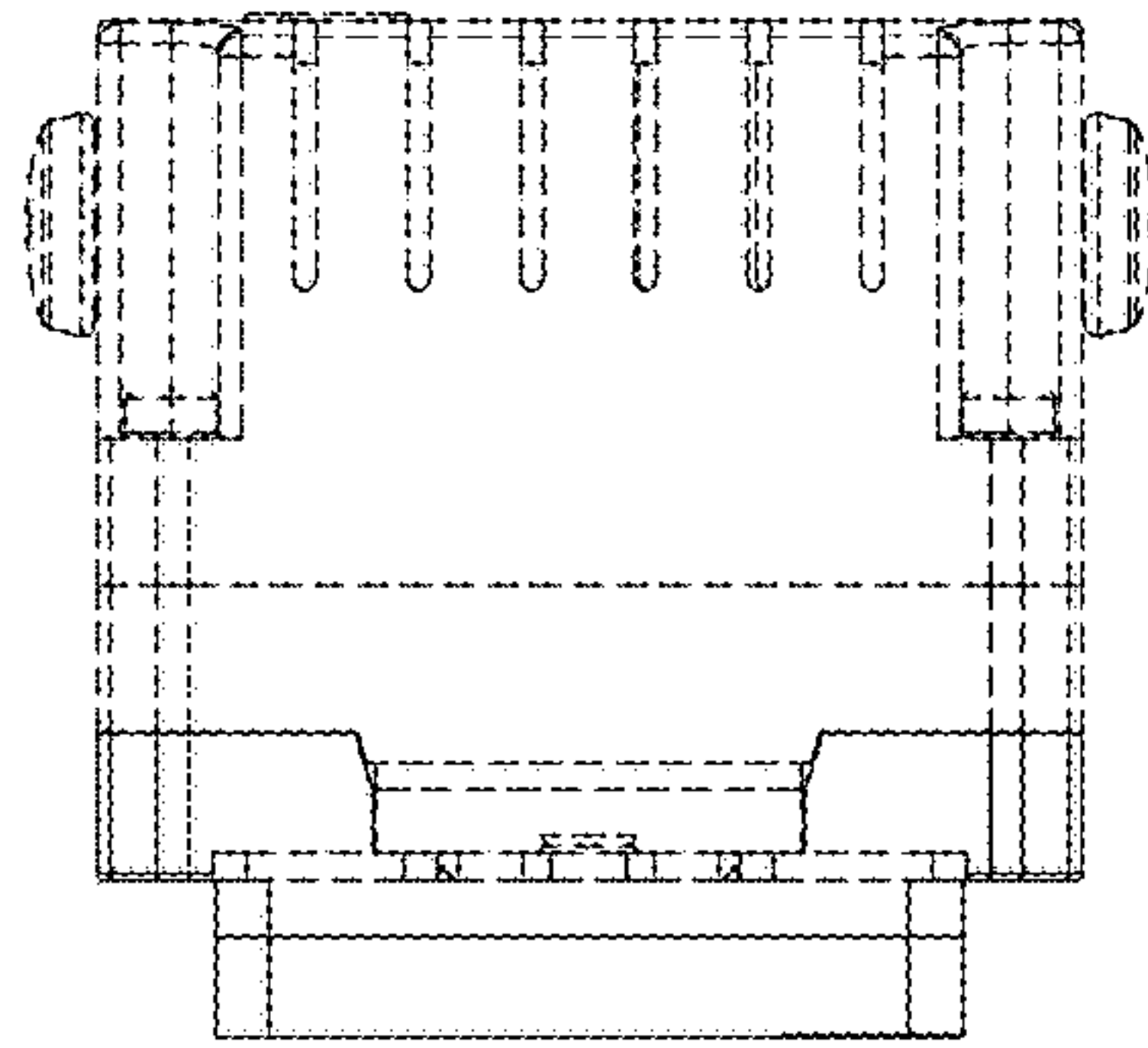


FIG 7

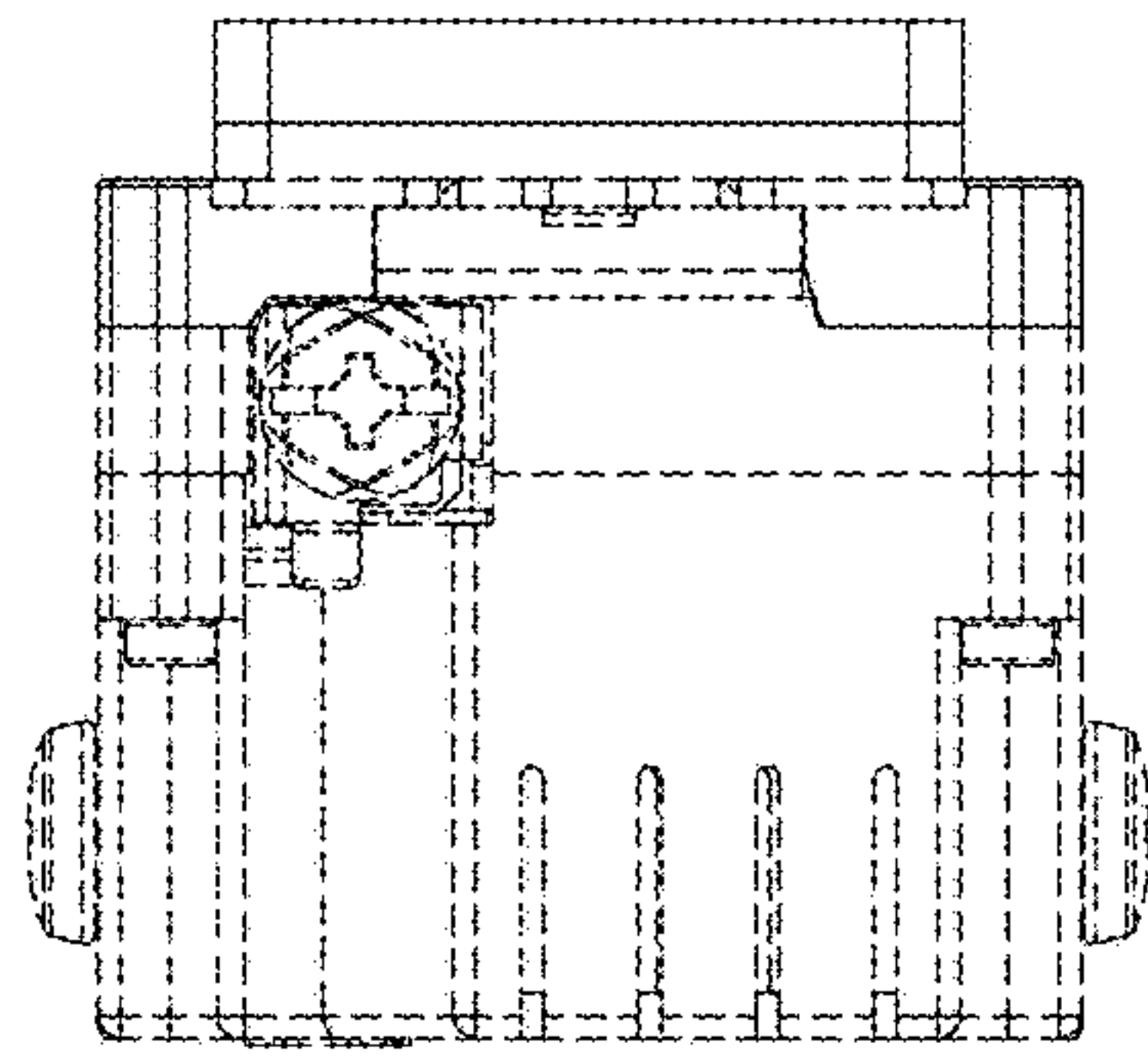


FIG 8

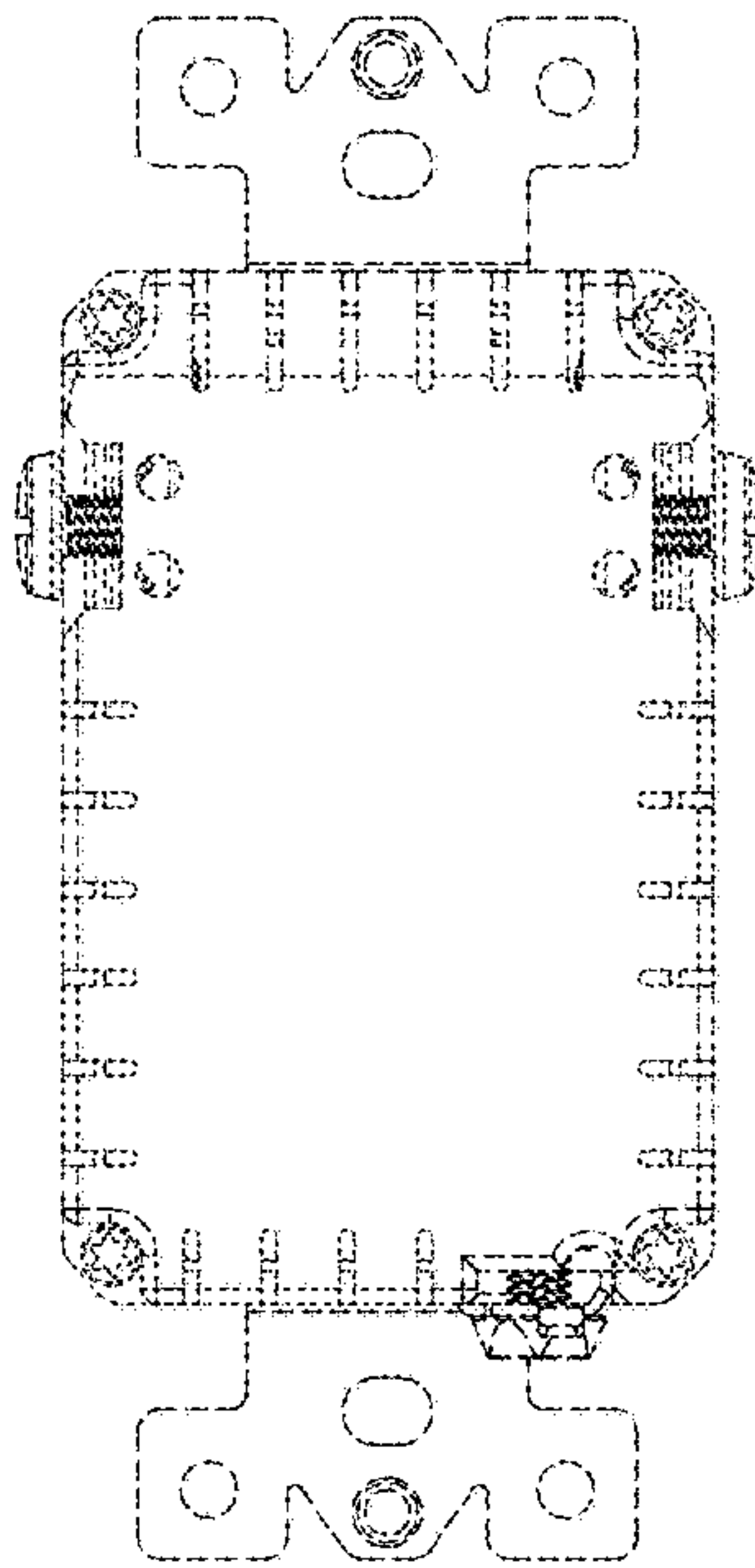


FIG 9