



US00D858443S

(12) **United States Design Patent**  
**Huang et al.**

(10) **Patent No.:** **US D858,443 S**

(45) **Date of Patent:** **\*\* Sep. 3, 2019**

(54) **CONNECTOR TERMINAL**

(71) Applicant: **Tarng Yu Enterprise co., ltd.**, New Taipei (TW)

(72) Inventors: **Mu-Jung Huang**, New Taipei (TW);  
**Ying-Chung Chen**, New Taipei (TW);  
**Chai-Fa Chang**, New Taipei (TW)

(73) Assignee: **TARNG YU ENTERPRISE CO., LTD.**, New Taipei (TW)

(\*\*) Term: **15 Years**

(21) Appl. No.: **29/657,536**

(22) Filed: **Jul. 23, 2018**

(30) **Foreign Application Priority Data**

Jan. 29, 2018 (TW) ..... 107300549

(51) **LOC (12) Cl.** ..... **13-03**

(52) **U.S. Cl.**  
USPC ..... **D13/133**

(58) **Field of Classification Search**  
USPC ..... D13/101, 118, 123, 133, 145-147, 149,  
D13/151, 154, 184, 199  
CPC ... H01R 4/18; H01R 4/20; H01R 4/48; H01R  
4/60; H01R 9/05; H01R 11/22; H01R  
12/70; H01R 12/75; H01R 13/11; H01R  
13/115; H01R 13/187; H01R 13/40;  
H01R 13/426; H01R 13/432; H01R  
13/52; H01R 13/658; H01R 43/16  
See application file for complete search history.

(56) **References Cited**

**U.S. PATENT DOCUMENTS**

5,860,836 A \* 1/1999 Ohno ..... H01R 13/113  
439/752.5  
6,200,174 B1 \* 3/2001 Katoh ..... H01R 4/4818  
439/843

D464,323 S \* 10/2002 Harasawa ..... D13/133  
D592,150 S \* 5/2009 Ogata ..... D13/154  
D724,543 S \* 3/2015 Chen ..... D13/154  
D817,882 S \* 5/2018 Chen ..... D13/133  
2002/0077001 A1 \* 6/2002 Chen ..... H01R 13/187  
439/852  
2003/0096540 A1 \* 5/2003 Smyk ..... H01R 13/187  
439/843  
2006/0094305 A1 \* 5/2006 Masaki ..... H01R 13/113  
439/850

(Continued)

**FOREIGN PATENT DOCUMENTS**

EP 1469561 A2 \* 10/2004 ..... H01R 13/04

*Primary Examiner* — Angela J Lee

*Assistant Examiner* — Shawn T Gingrich

(74) *Attorney, Agent, or Firm* — Chun-Ming Shih

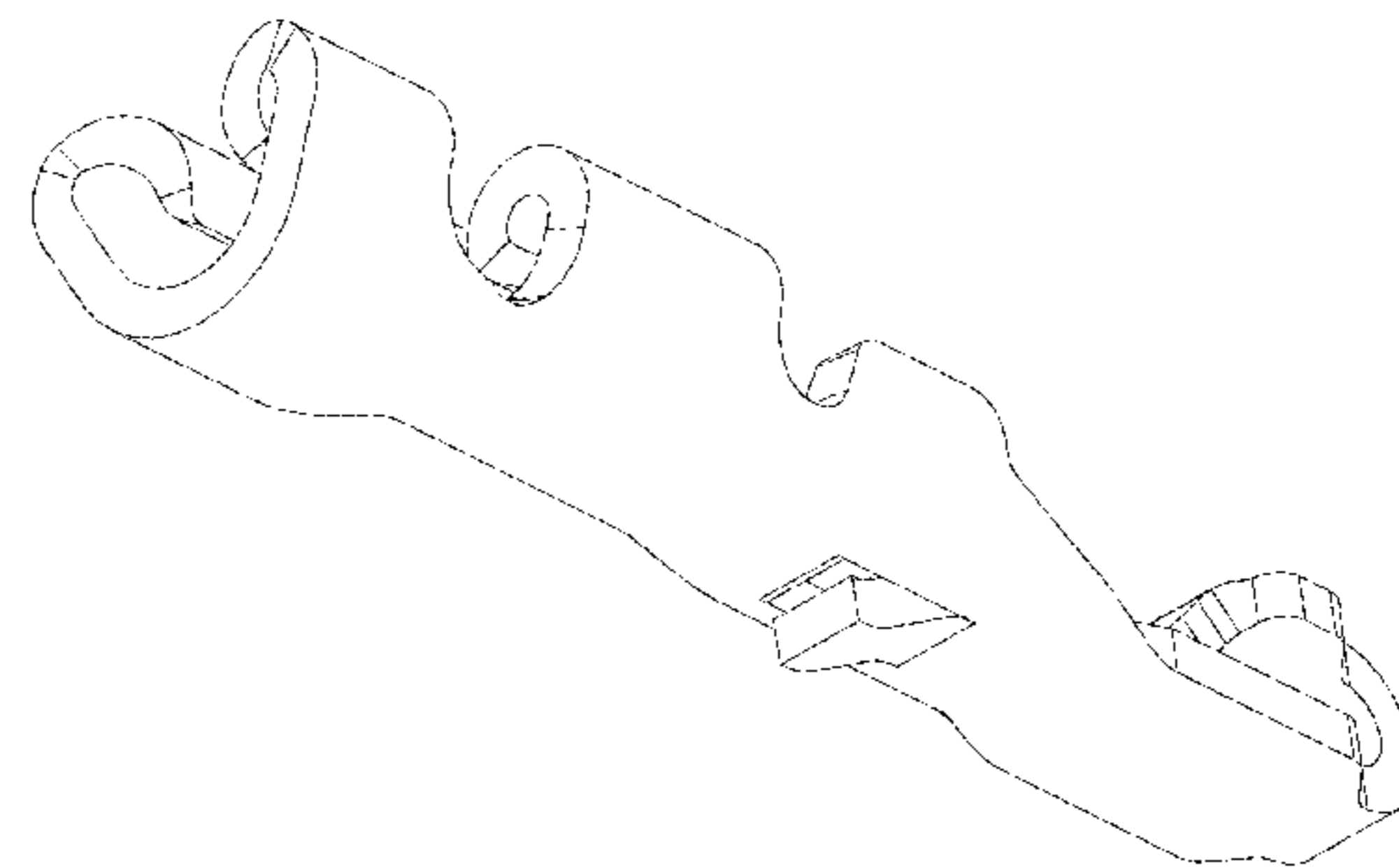
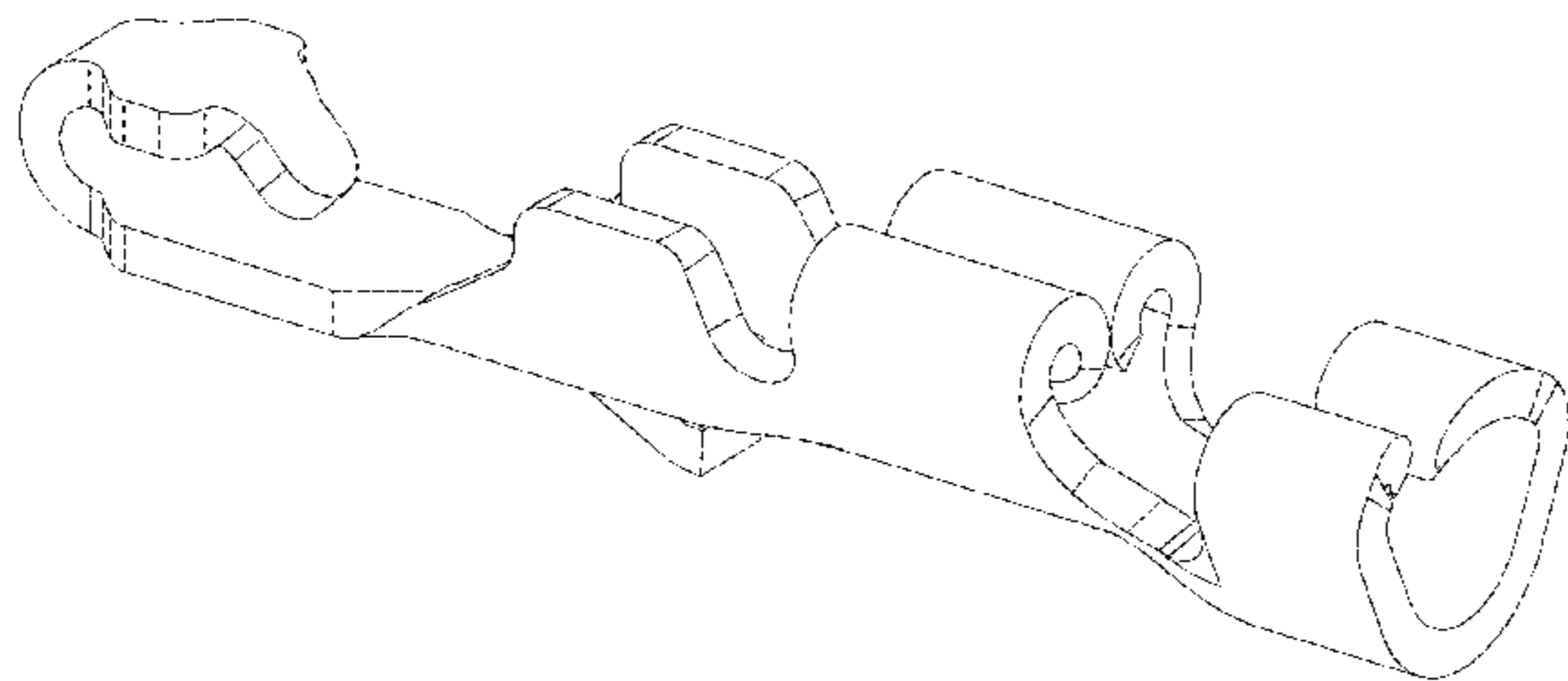
(57) **CLAIM**

The ornamental design for a connector terminal, as shown and described.

**DESCRIPTION**

FIG. 1 is a perspective view of a connector terminal showing the new design;  
FIG. 2 is a front view of a connector terminal showing the new design;  
FIG. 3 is a rear view of a connector terminal showing the new design;  
FIG. 4 is a left side elevational view of a connector terminal showing the new design;  
FIG. 5 is a right side elevational view of a connector terminal showing the new design;  
FIG. 6 is a top view of a connector terminal showing the new design;  
FIG. 7 is a bottom view of a connector terminal showing the new design; and,  
FIG. 8 is another perspective view of a connector terminal showing the new design.

**1 Claim, 8 Drawing Sheets**



(56)

**References Cited**

U.S. PATENT DOCUMENTS

2007/0072494	A1 *	3/2007	Tyler .....	H01R 13/187 439/843
2013/0137314	A1 *	5/2013	Shimoji .....	H01R 12/7082 439/876
2014/0120786	A1 *	5/2014	Bishop .....	H01R 4/4836 439/878
2015/0147923	A1 *	5/2015	Todo .....	H01R 4/188 439/882

\* cited by examiner

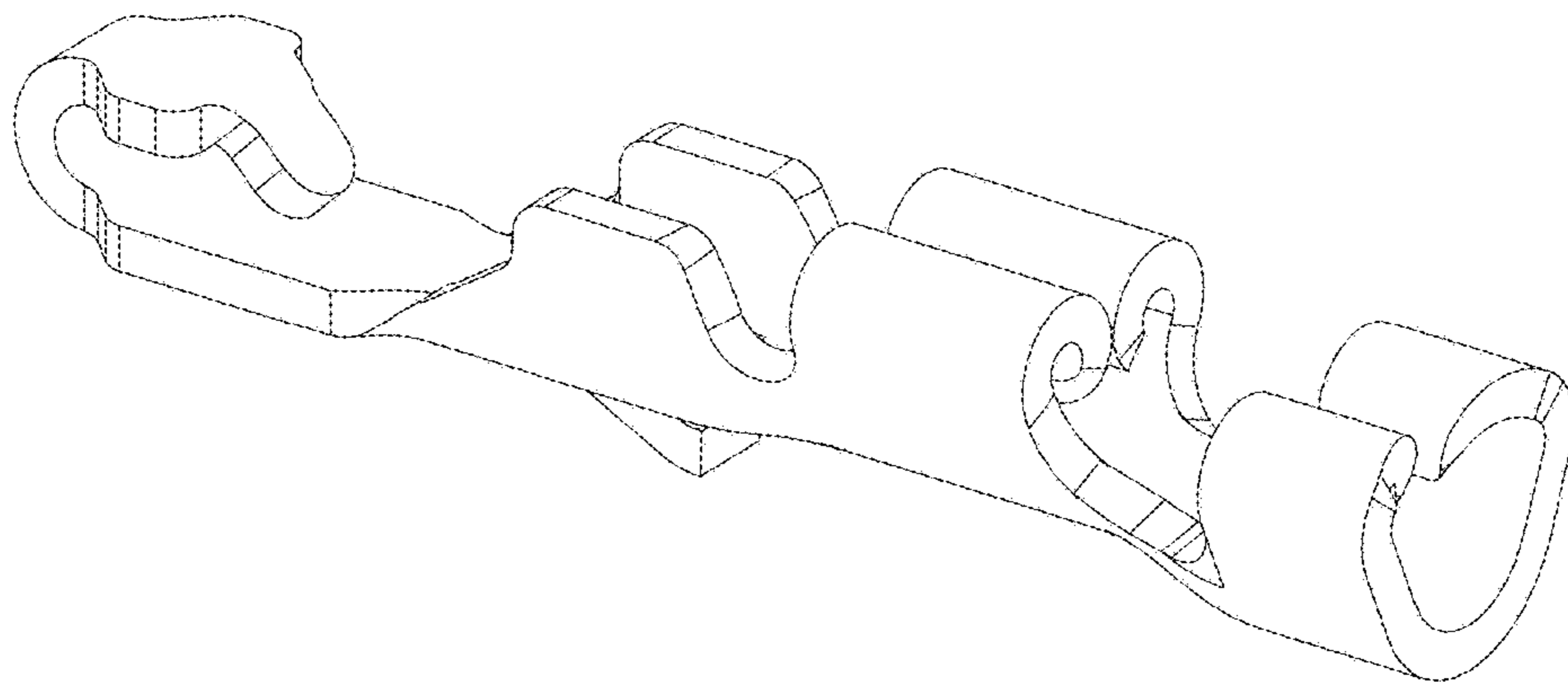


Fig. 1

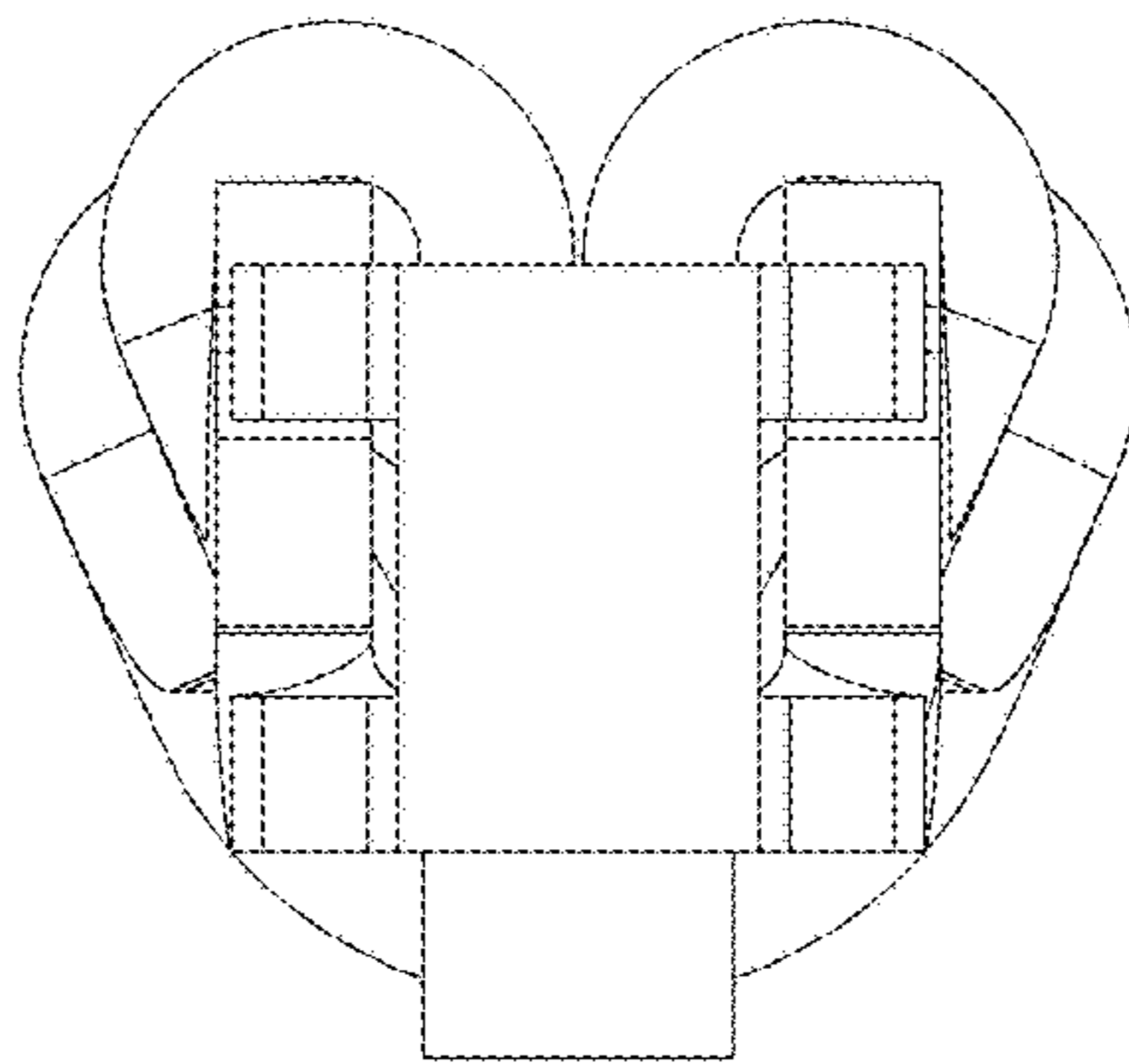


Fig. 2

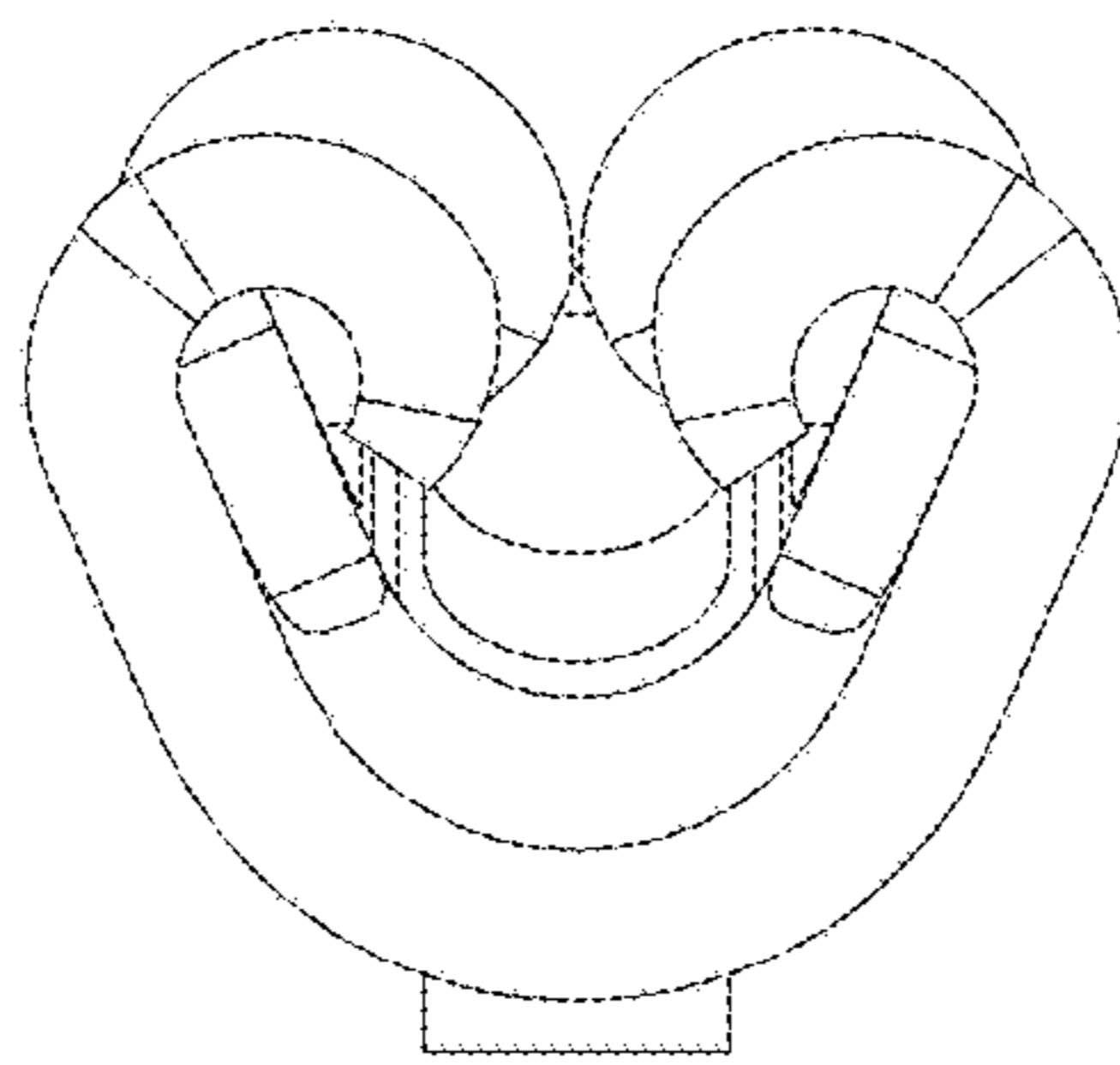


Fig. 3

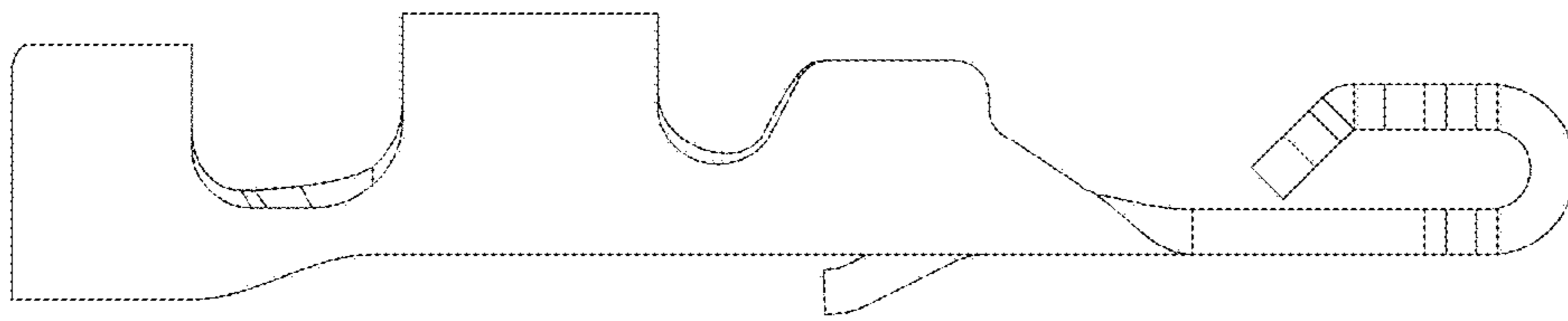


Fig. 4

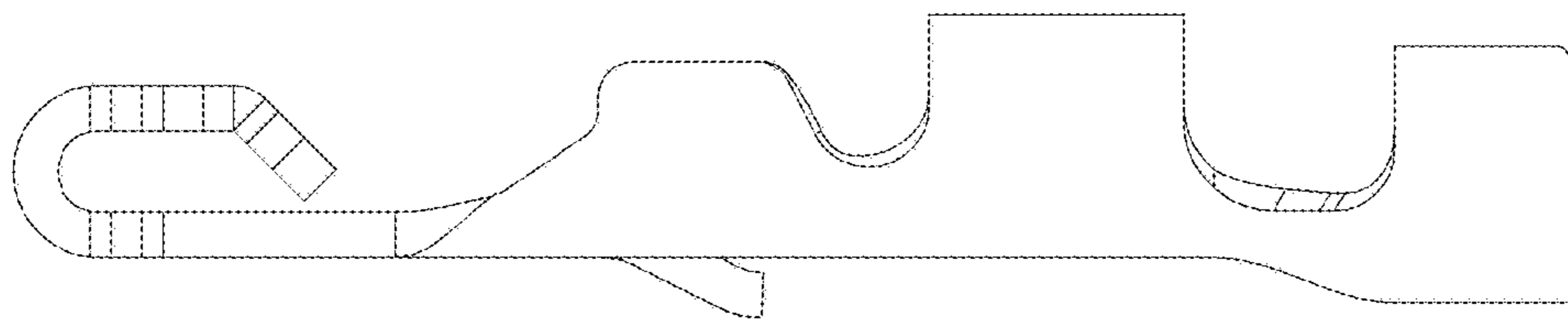


Fig. 5

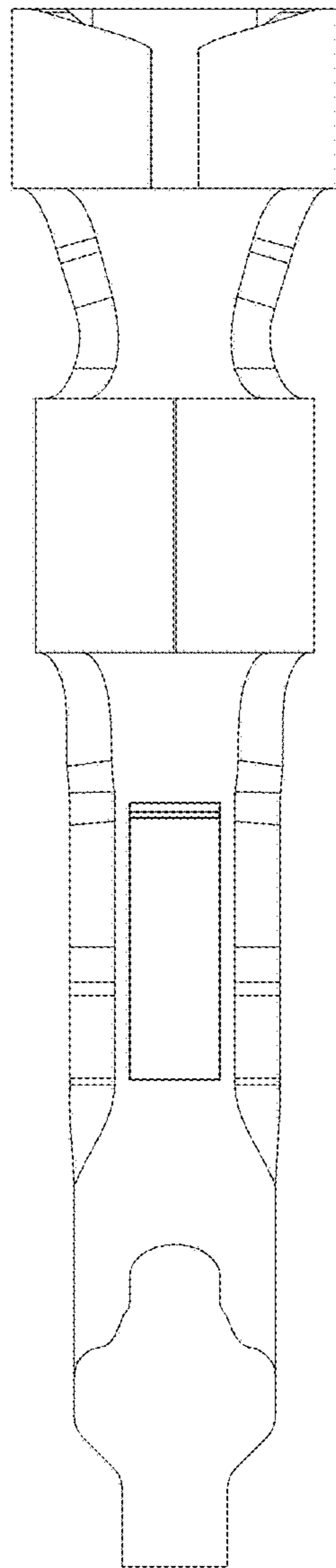


Fig. 6



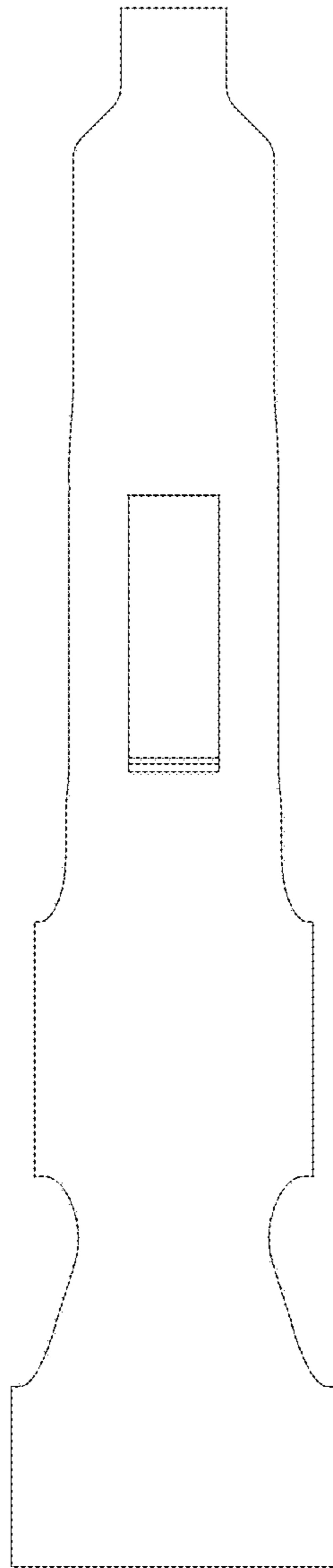


Fig. 7

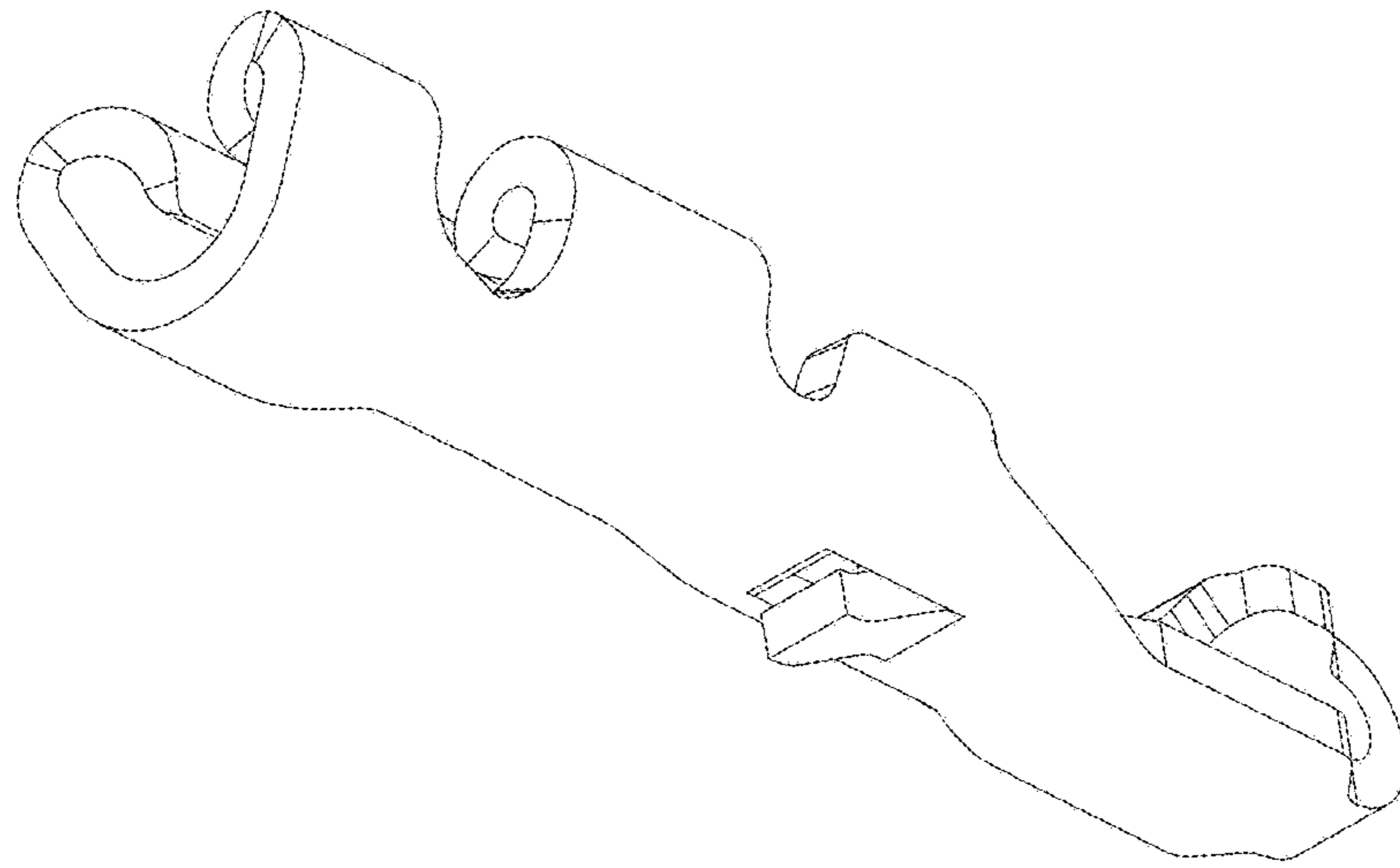


Fig. 8

UNITED STATES PATENT AND TRADEMARK OFFICE  
**CERTIFICATE OF CORRECTION**


PATENT NO. : D858,443 S  
APPLICATION NO. : 29/657536  
DATED : September 3, 2019  
INVENTOR(S) : Mu-Jung Huang, Ying-Chung Chen and Chia-Fa Chang

Page 1 of 1

It is certified that error appears in the above-identified patent and that said Letters Patent is hereby corrected as shown below:

On the Title Page

Item (72) Inventors should read: Mu-Jung Huang, New Taipei City (TW);  
Ying-Chung Chen, New Taipei City (TW);  
Chia-Fa Chang, New Taipei City (TW)

Signed and Sealed this  
Thirteenth Day of December, 2022  


Katherine Kelly Vidal  
*Director of the United States Patent and Trademark Office*