



US00D858442S

(12) **United States Design Patent** (10) **Patent No.:** **US D858,442 S**  
**Byrne et al.** (45) **Date of Patent:** **\*\* Sep. 3, 2019**

(54) **ELECTRICAL POWER UNIT**

(71) Applicants: **Norman R. Byrne**, Ada, MI (US);  
**Daniel P. Byrne**, Lowell, MI (US);  
**Aaron G. Lautenbach**, Rockford, MI  
(US); **Shane Rogers**, Rockford, MI  
(US)

(72) Inventors: **Norman R. Byrne**, Ada, MI (US);  
**Daniel P. Byrne**, Lowell, MI (US);  
**Aaron G. Lautenbach**, Rockford, MI  
(US); **Shane Rogers**, Rockford, MI  
(US)

(\*\*) Term: **15 Years**

(21) Appl. No.: **29/634,770**

(22) Filed: **Jan. 24, 2018**

(51) **LOC (12) Cl.** ..... **13-02**

(52) **U.S. Cl.**  
USPC ..... **D13/110**

(58) **Field of Classification Search**

USPC ..... D13/107, 108, 110, 123, 133,  
D13/137.1-137.4, 138.1-138.2,  
D13/139.1-139.8, 147, 152-154, 158,  
D13/160; D14/433; D8/356  
CPC .. H01R 25/00; H01R 25/006; H01R 13/6675;  
H01R 13/10; H01R 13/44; H01R 13/66;  
H01R 13/652; H01R 31/00; H01R  
31/065; H01R 11/00; H01R 9/00; H01R  
27/02; H01R 31/005; H01H 2207/00;  
H01H 2207/022; H05K 5/00; G06F  
13/4022; G06F 13/13; G06F 1/1632;  
G06F 1/1684; G06F 1/20; G06F 1/1607

See application file for complete search history.

(56) **References Cited**

**U.S. PATENT DOCUMENTS**

6,379,182 B1 4/2002 Byrne  
D575,729 S \* 8/2008 Nomi ..... D13/107

D612,329 S \* 3/2010 Guccione ..... D13/108  
7,736,178 B2 6/2010 Byrne  
D627,728 S 11/2010 Smith et al.  
D660,229 S \* 5/2012 Tseng ..... D13/110  
D678,187 S \* 3/2013 Huang ..... D13/103  
D683,314 S 5/2013 Andre et al.  
D693,299 S \* 11/2013 Zaslavsky ..... D13/110

(Continued)

**OTHER PUBLICATIONS**

Co-pending and commonly-owned design U.S. Appl. No. 29/605,930,  
filed May 31, 2017.

(Continued)

*Primary Examiner* — Rosemary K Tarcza

*Assistant Examiner* — Christy M Nemeth

(74) *Attorney, Agent, or Firm* — Gardner, Linn, Burkhardt  
& Ondersma LLP

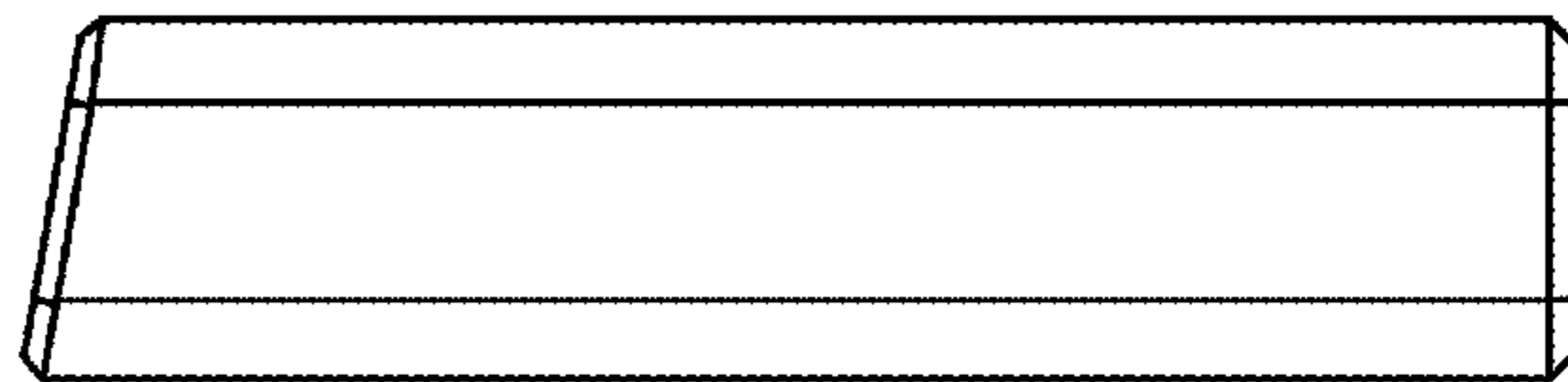
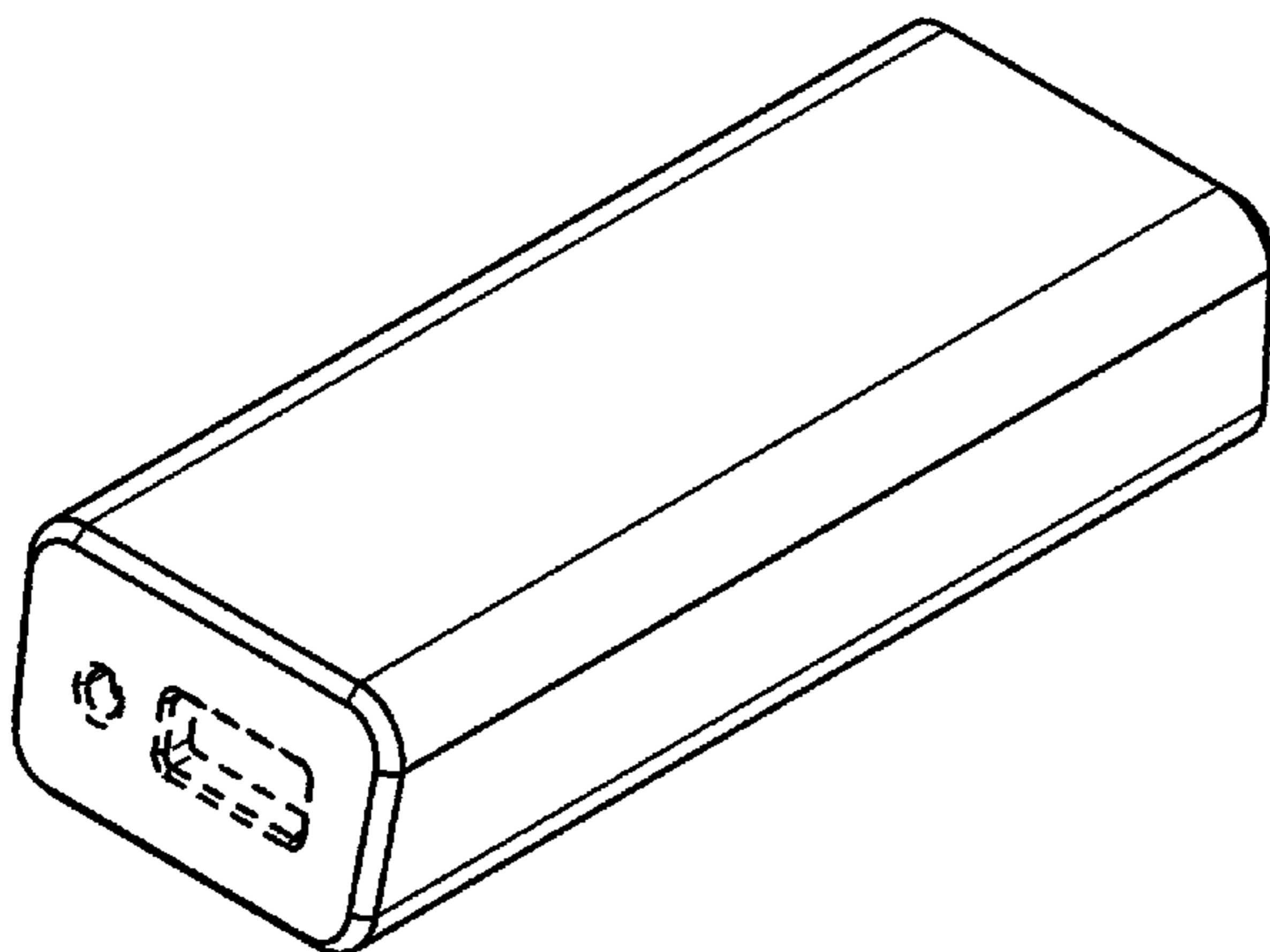
(57) **CLAIM**

The ornamental design for an electrical power unit, as shown  
and described.

**DESCRIPTION**

FIG. 1 is a front, top, left-side perspective view of an  
electrical power unit showing our new design;  
FIG. 2 is a front, bottom, left-side perspective view thereof;  
FIG. 3 is a rear, top, left-side perspective view thereof;  
FIG. 4 is a rear, bottom, left-side perspective view thereof;  
FIG. 5 is a top plan view thereof;  
FIG. 6 is a bottom plan view thereof;  
FIG. 7 a front elevation thereof;  
FIG. 8 is a rear elevation thereof;  
FIG. 9 is a right side elevation thereof; and,  
FIG. 10 is a left side elevation thereof.  
The broken lines in the drawings are for the purpose of  
illustrating portions of the electrical power unit that form no  
part of the claimed design.

**1 Claim, 4 Drawing Sheets**



(56)

**References Cited**

U.S. PATENT DOCUMENTS

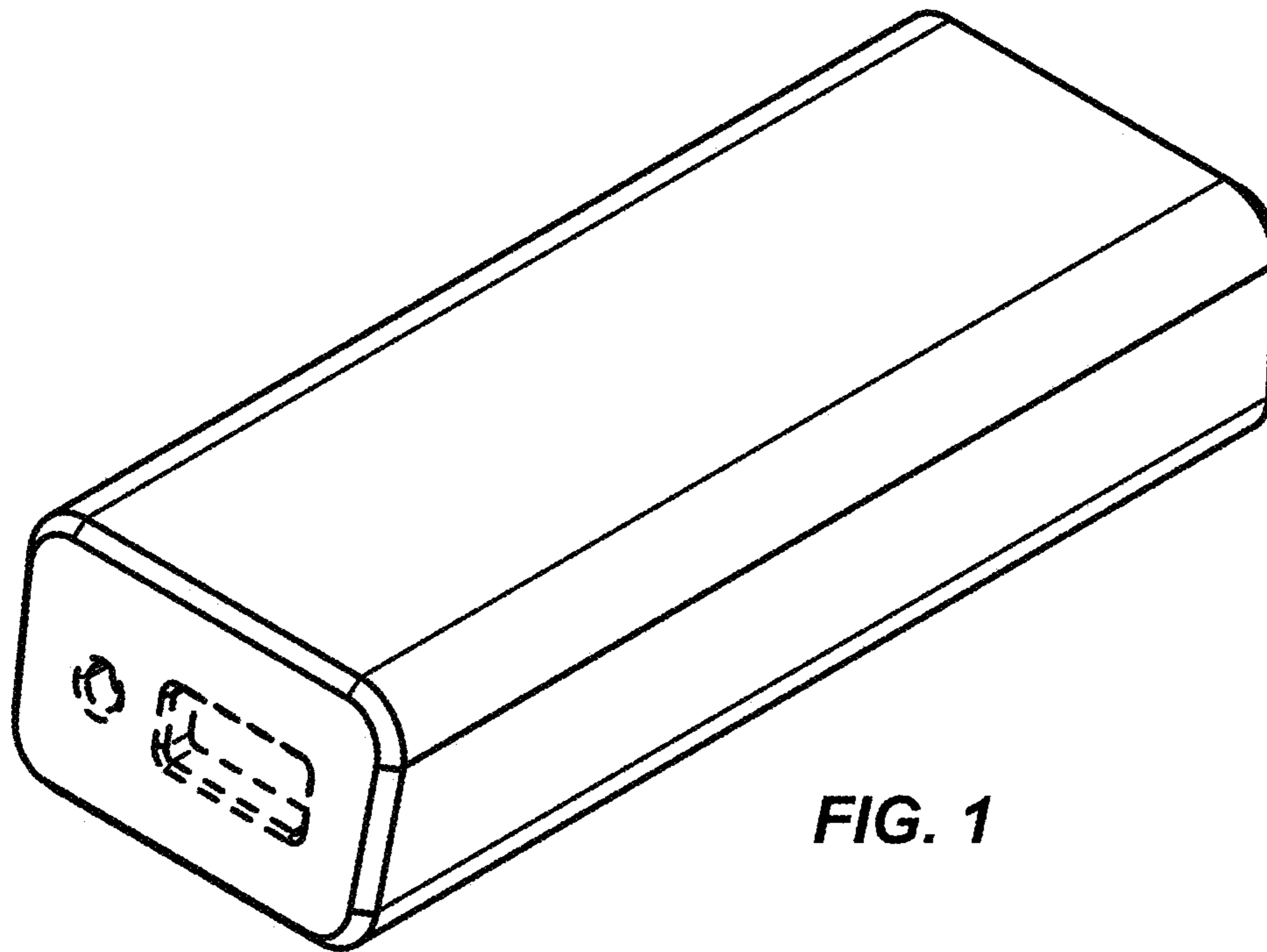
D701,835 S 4/2014 Byrne et al.  
 D716,231 S 10/2014 Byrne et al.  
 D716,729 S \* 11/2014 Kelly ..... D13/110  
 D716,734 S 11/2014 Byrne et al.  
 D716,735 S 11/2014 Byrne et al.  
 D720,295 S 12/2014 Dodal et al.  
 D721,330 S 1/2015 Byrne et al.  
 D722,563 S 2/2015 Byrne et al.  
 D731,489 S \* 6/2015 Langhammer ..... D14/433  
 D733,051 S \* 6/2015 Wang ..... D13/103  
 9,148,006 B2 9/2015 Byrne et al.  
 D744,951 S 12/2015 Oosterman et al.  
 9,236,699 B2 \* 1/2016 Lai ..... H01R 31/065  
 D751,502 S 3/2016 Riner  
 D763,185 S \* 8/2016 Wen ..... D13/103  
 9,459,659 B2 \* 10/2016 Chang ..... G06F 1/1633  
 9,478,891 B2 \* 10/2016 Kuo ..... G06K 19/07732  
 D780,116 S \* 2/2017 Bing ..... D13/107  
 D784,340 S \* 4/2017 Laffon de Mazieres .... D14/433

D793,343 S 8/2017 Byrne et al.  
 D794,028 S \* 8/2017 Lin ..... D14/433  
 D806,017 S \* 12/2017 Roberts ..... D13/103  
 D807,297 S 1/2018 Byrne et al.  
 D807,829 S 1/2018 Byrne et al.  
 D812,000 S \* 3/2018 Li ..... D13/108  
 D821,328 S \* 6/2018 Byrne ..... D13/139.4  
 D826,854 S \* 8/2018 Roberts ..... D13/108  
 D827,569 S \* 9/2018 Roberts ..... D13/108  
 D828,295 S \* 9/2018 Li ..... D13/108  
 D833,445 S \* 11/2018 Xie ..... D14/433  
 D839,823 S \* 2/2019 Lemelson ..... D13/103  
 D840,347 S \* 2/2019 Byrne ..... D13/139.4  
 D843,316 S \* 3/2019 Zhou ..... D13/108  
 2018/0358765 A1 \* 12/2018 Byrne ..... H01R 25/006

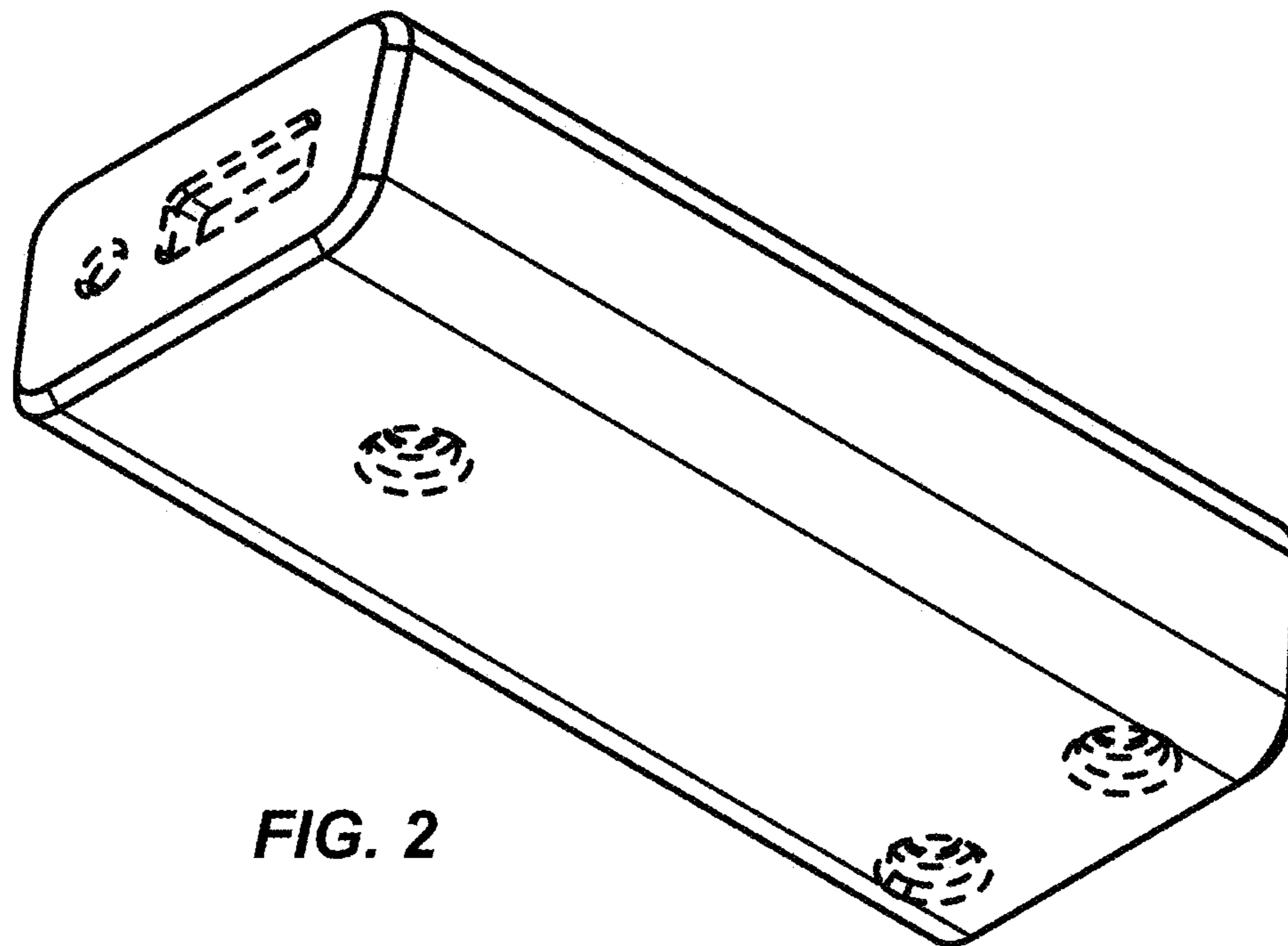
OTHER PUBLICATIONS

Co-pending and commonly-owned design U.S. Appl. No. 29/607,337, filed Jun. 12, 2017.

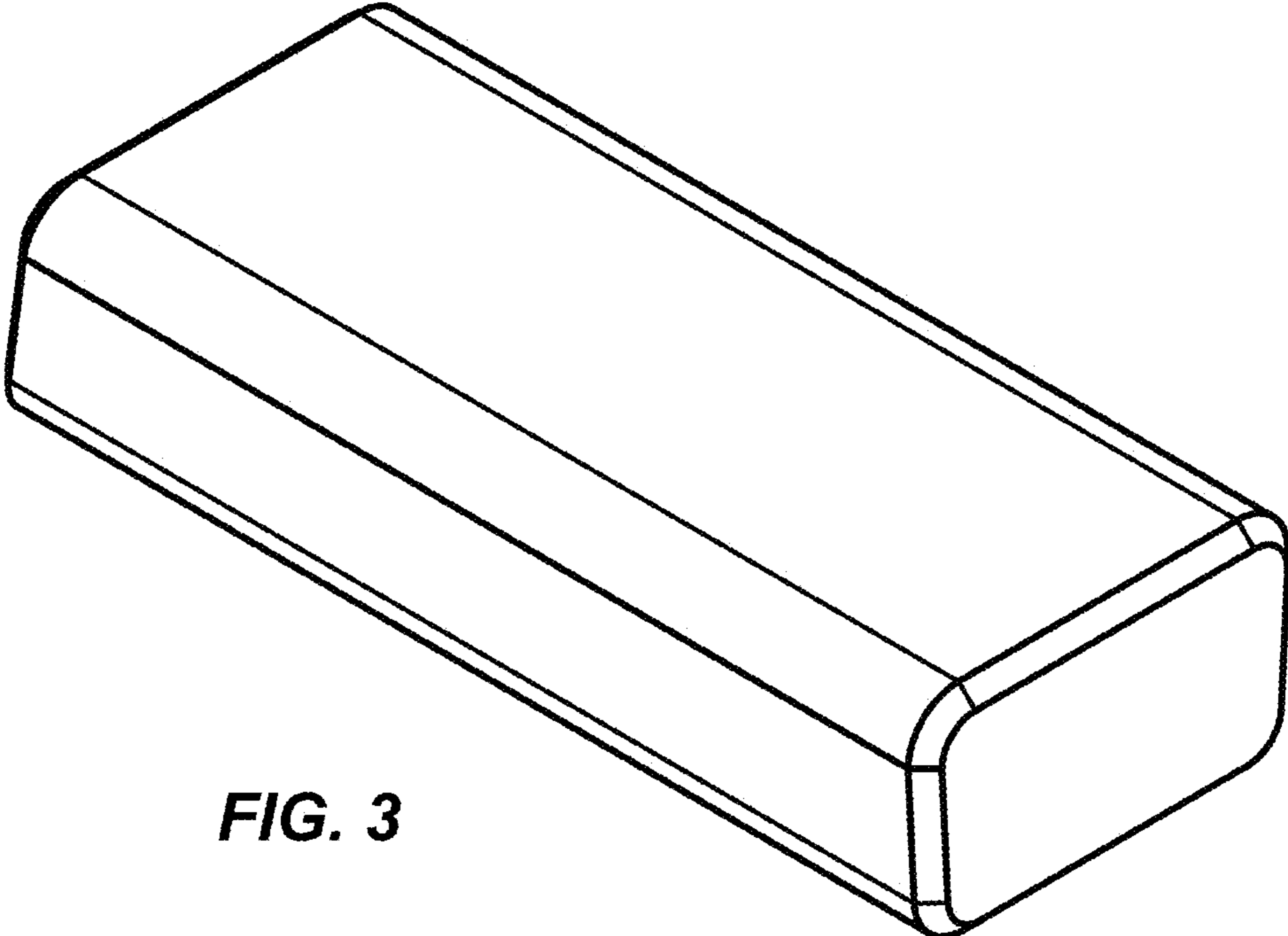
\* cited by examiner



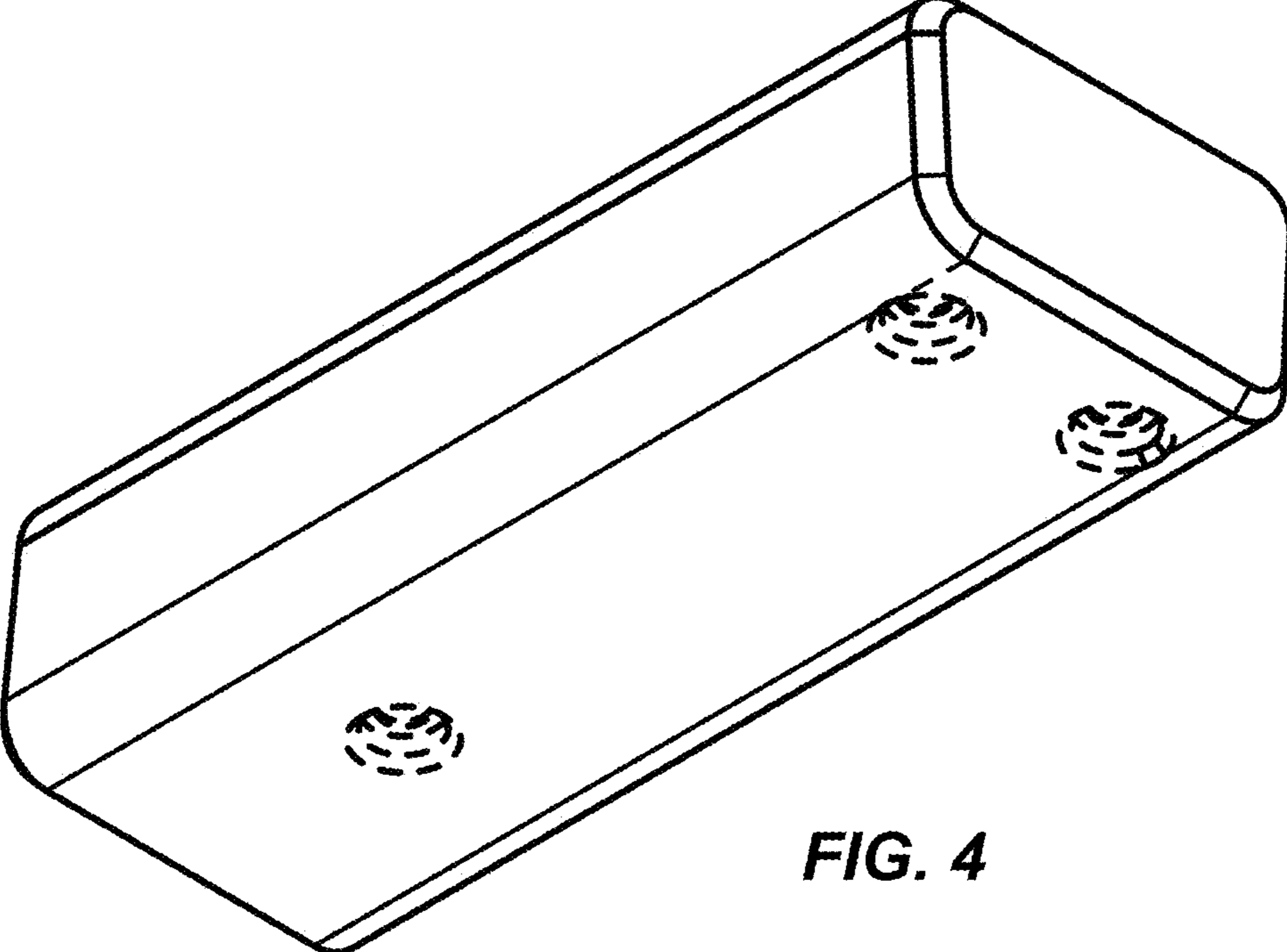
**FIG. 1**



**FIG. 2**

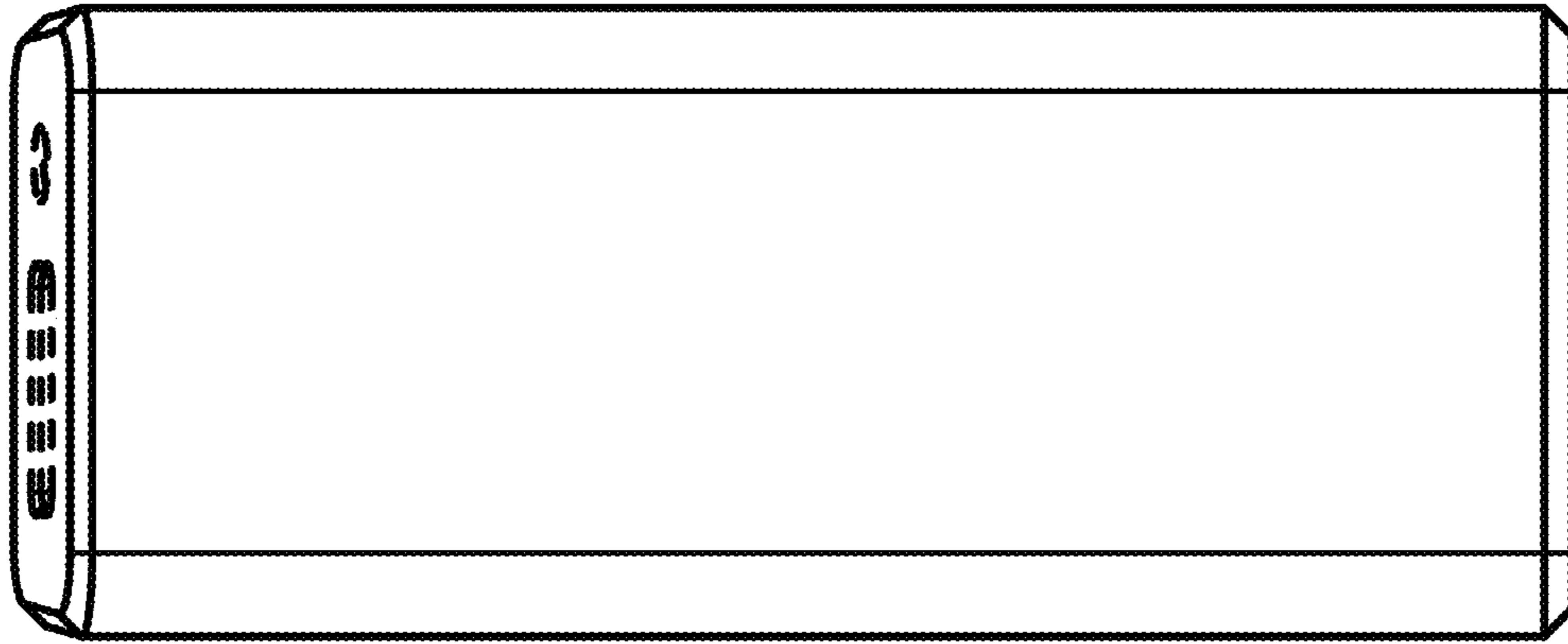


**FIG. 3**

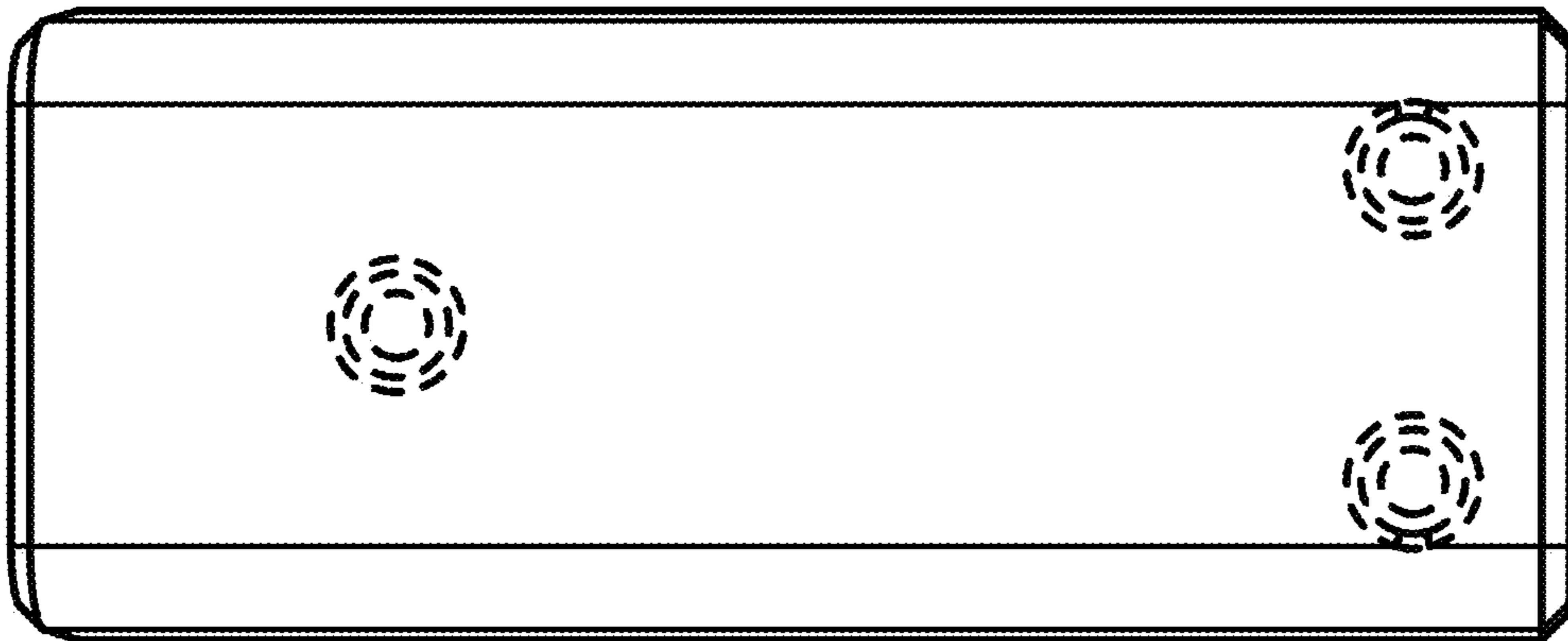


**FIG. 4**

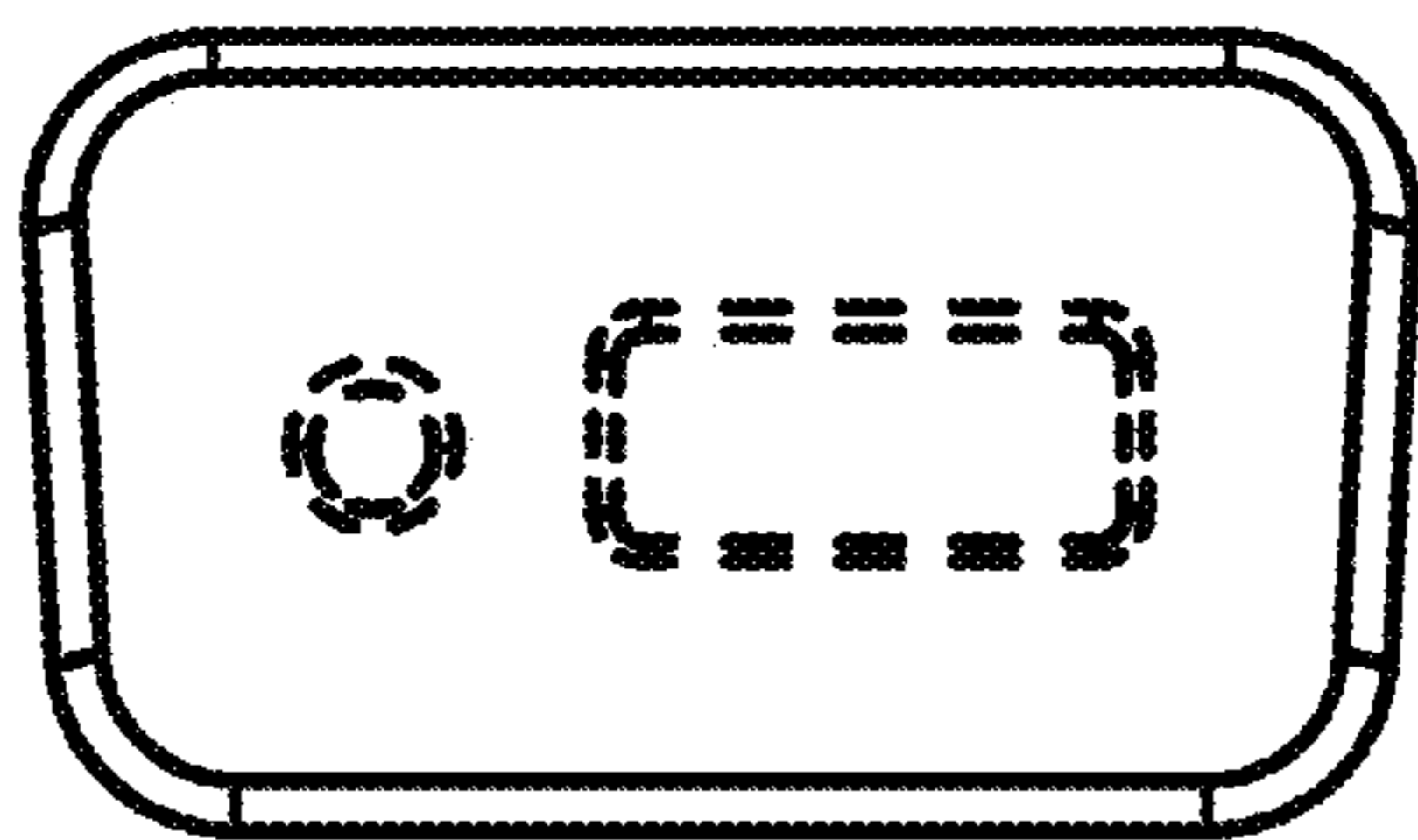




**FIG. 5**



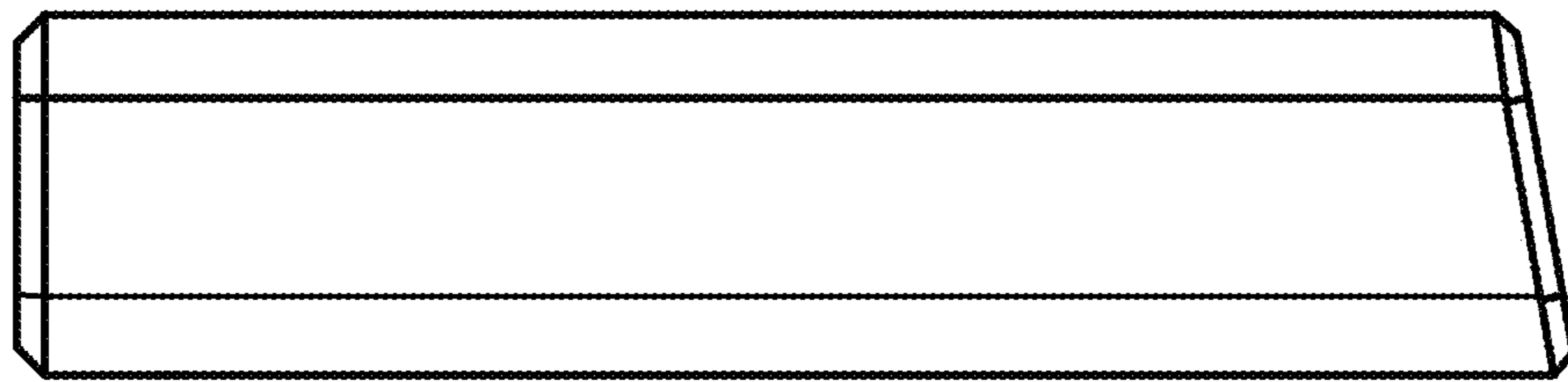
**FIG. 6**



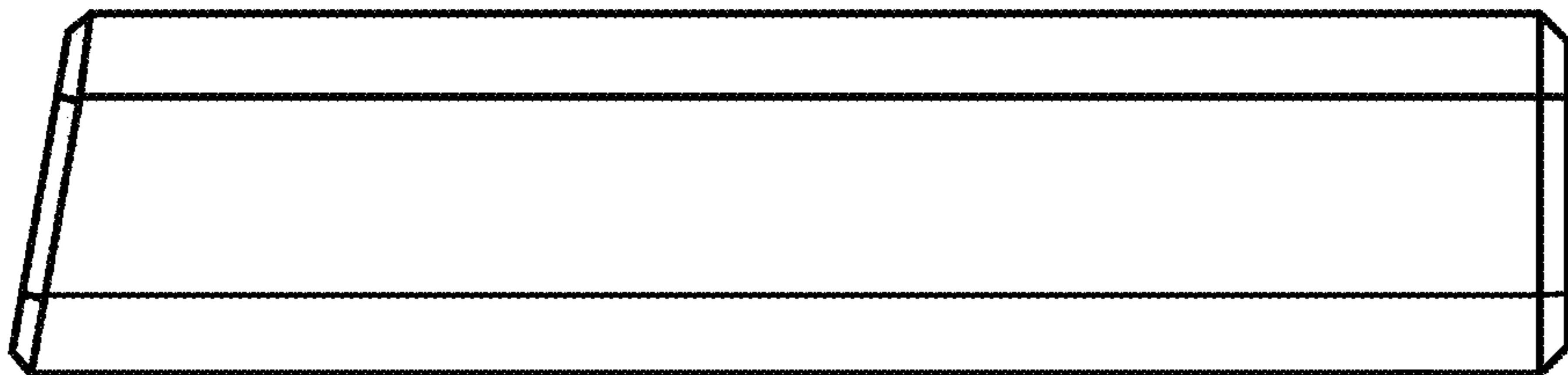
**FIG. 7**



**FIG. 8**



**FIG. 9**



**FIG. 10**