



US00D858439S

(12) **United States Design Patent**
Li

(10) **Patent No.:** **US D858,439 S**

(45) **Date of Patent:** **** Sep. 3, 2019**

(54) **CHARGING SOCKET**

(71) Applicant: **SHENZHEN HAI RUN TIAN HENG TECHNOLOGY CO., LTD.**, Shenzhen (CN)

(72) Inventor: **Gang Li**, Shanghai (CN)

(**) Term: **15 Years**

(21) Appl. No.: **29/690,660**

(22) Filed: **May 9, 2019**

(51) **LOC (12) Cl.** **13-02**

(52) **U.S. Cl.**

USPC **D13/108**; D13/137.2

(58) **Field of Classification Search**

USPC D13/107, 108, 110, 123, 133, D13/137.1–137.4, 138.1–138.2, D13/139.1–139.8, 151–156, 173, 177, D13/184; D14/432, 433, 435.1

CPC H01R 11/00; H01R 9/00; H01R 13/00; H01R 13/04; H01R 13/10; H01R 13/6666; H01R 13/6675; H01R 13/5845; H01R 13/72; H01R 13/46; H01R 25/00; H01R 25/006; H01R 31/06; H01R 24/28; H01H 2207/00; H01H 2207/022; H01B 7/2806

See application file for complete search history.

(56) **References Cited**

U.S. PATENT DOCUMENTS

- 6,328,581 B1 * 12/2001 Lee H01R 31/06 439/106
- 6,929,515 B1 * 8/2005 Schneider H01R 27/00 439/654
- 7,845,951 B1 * 12/2010 Goon H01R 35/04 439/21
- 7,896,663 B2 * 3/2011 Niidome H01R 31/06 439/131
- D653,215 S 1/2012 Lam
- 8,157,578 B2 * 4/2012 Lee H01R 31/06 439/172

- 8,313,335 B2 * 11/2012 Wu H01R 13/502 439/172
 - 8,382,493 B2 * 2/2013 Ruffner H01R 27/00 439/105
 - D687,374 S * 8/2013 Biedermann D13/108
 - D693,764 S 11/2013 Standard
 - D713,788 S * 9/2014 Hasegawa D13/110
 - D720,290 S * 12/2014 Wu D13/110
 - 8,920,177 B1 * 12/2014 Hsiao H01R 39/00 439/13
 - D726,653 S * 4/2015 Kourtis D13/137.1
- (Continued)

OTHER PUBLICATIONS

Amazon.com: TESSAN European Travel Plug Adapter. Published Jul. 12, 2018. Retrieved from the internet at <<https://www.amazon.com/Adapter-TESSAN-Universal-Charger-Charging/dp/B07FJWLLDB/>>, Jun. 17, 2019. 1 page. (Year: 2018).*

Primary Examiner — Rosemary K Tarcza
Assistant Examiner — Christy M Nemeth
(74) *Attorney, Agent, or Firm* — Erson IP (Nelson IP)

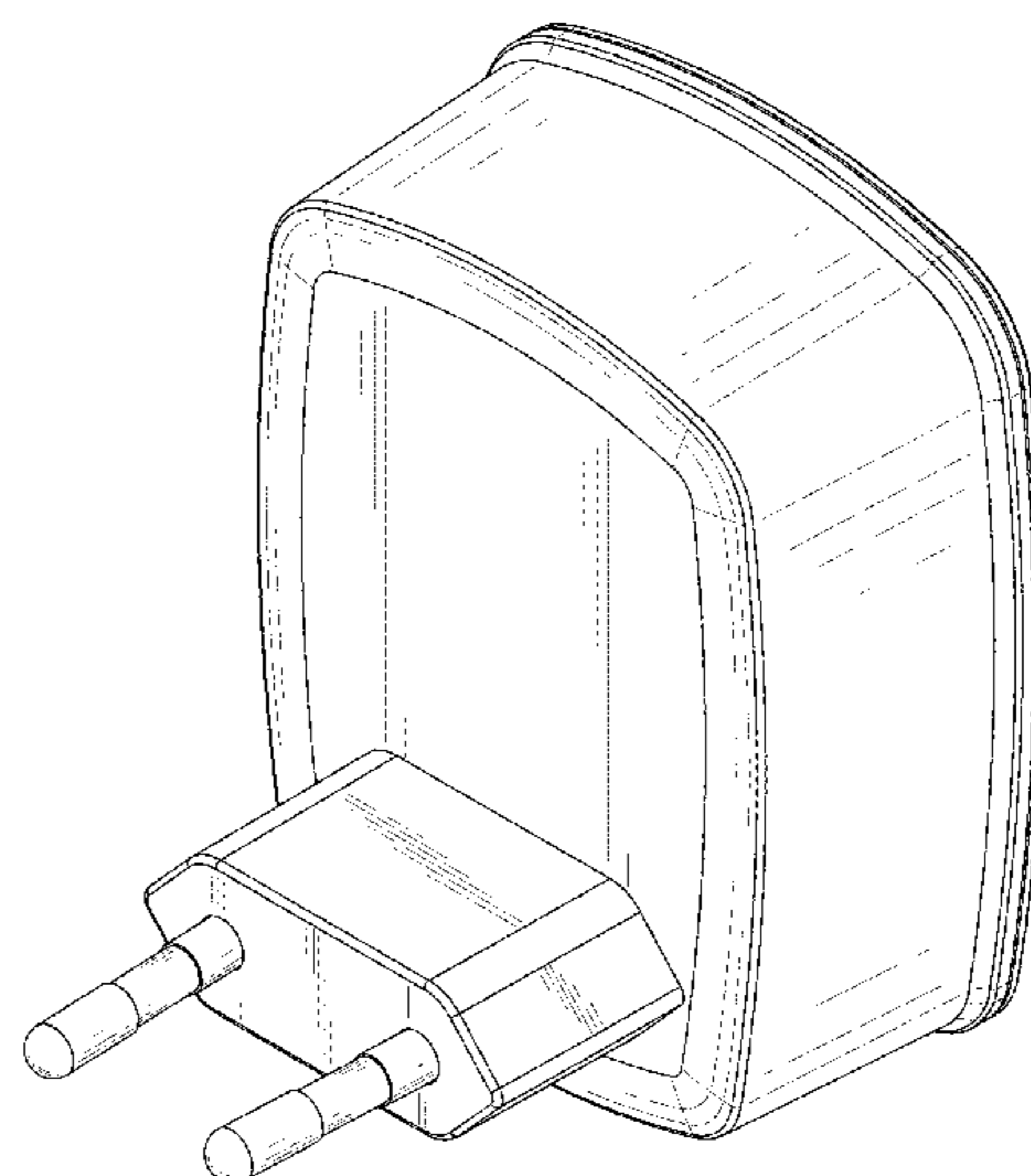
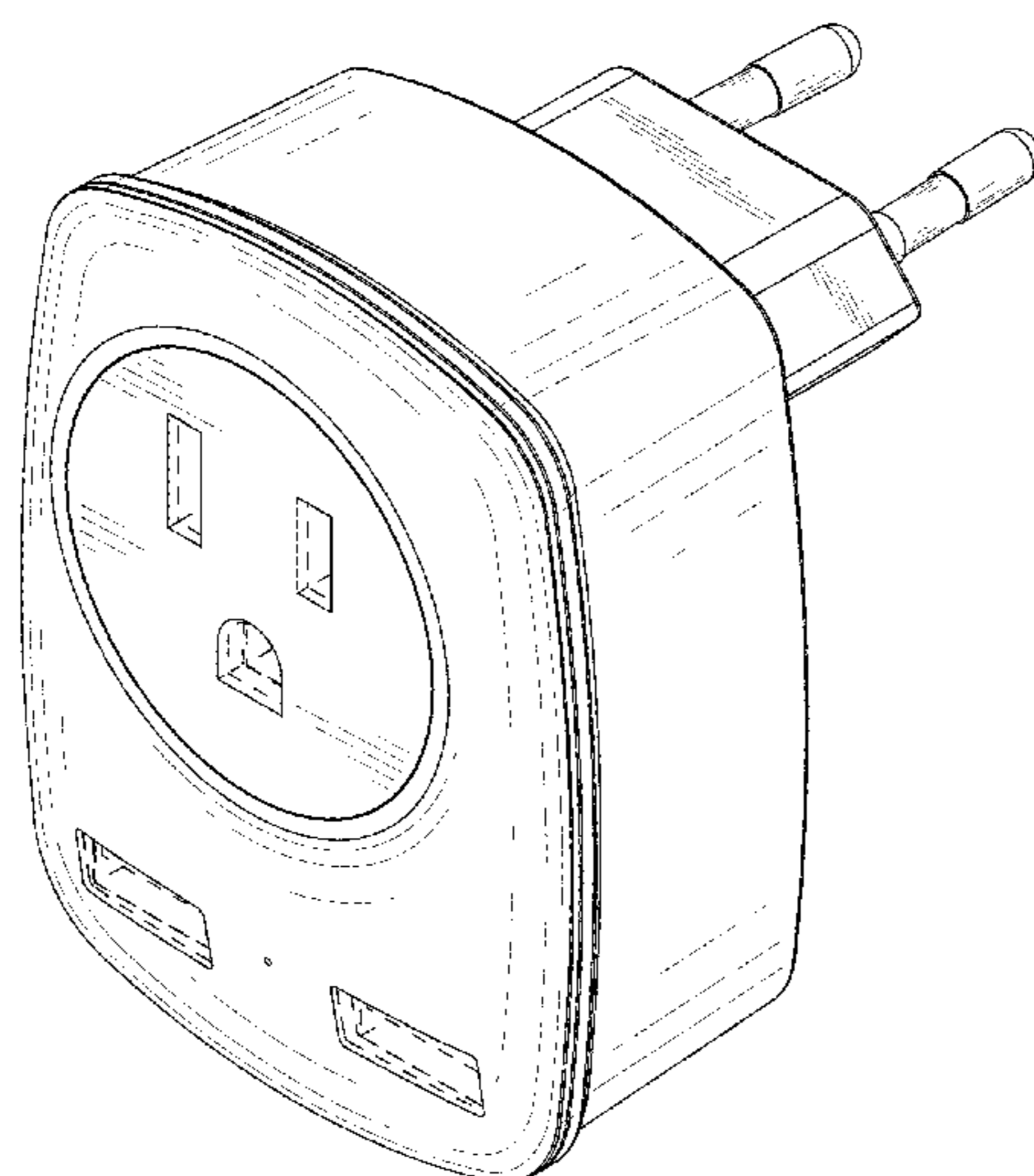
(57) **CLAIM**

The ornamental design for a charging socket, as shown and described.

DESCRIPTION

FIG. 1 is a perspective view of a charging socket showing my new design;
FIG. 2 is another perspective view thereof;
FIG. 3 is a front view thereof;
FIG. 4 is a rear view thereof;
FIG. 5 is a left side view thereof;
FIG. 6 is a right side view thereof;
FIG. 7 is a top plan view thereof; and,
FIG. 8 is a bottom plan, view thereof.
The broken lines in the drawings are for the purpose of illustrating portions of the charging socket that form no part of the claimed design.

1 Claim, 8 Drawing Sheets



(56)

References Cited

U.S. PATENT DOCUMENTS

9,083,125 B2 * 7/2015 Rogers H01R 27/00
9,106,037 B2 * 8/2015 Lee H01R 31/06
D750,022 S * 2/2016 Lin D13/137.2
D755,127 S * 5/2016 Wong D13/137.2
9,343,850 B2 * 5/2016 Colahan H01R 13/6675
D807,295 S * 1/2018 Xu D13/137.2
9,882,313 B2 * 1/2018 Steinbuchel, IV H01R 31/06
D816,614 S * 5/2018 An D13/137.1
9,985,397 B2 * 5/2018 Jiang H01R 13/5219
D819,570 S * 6/2018 Zhong D13/137.1
D826,858 S * 8/2018 Little D13/137.2
D826,859 S * 8/2018 Little D13/137.2
D835,042 S * 12/2018 Qiu D13/137.2
D835,043 S * 12/2018 Liao D13/137.3
D849,687 S * 5/2019 Dai D13/137.2
10,290,988 B2 * 5/2019 Judkins H01R 13/6675

* cited by examiner

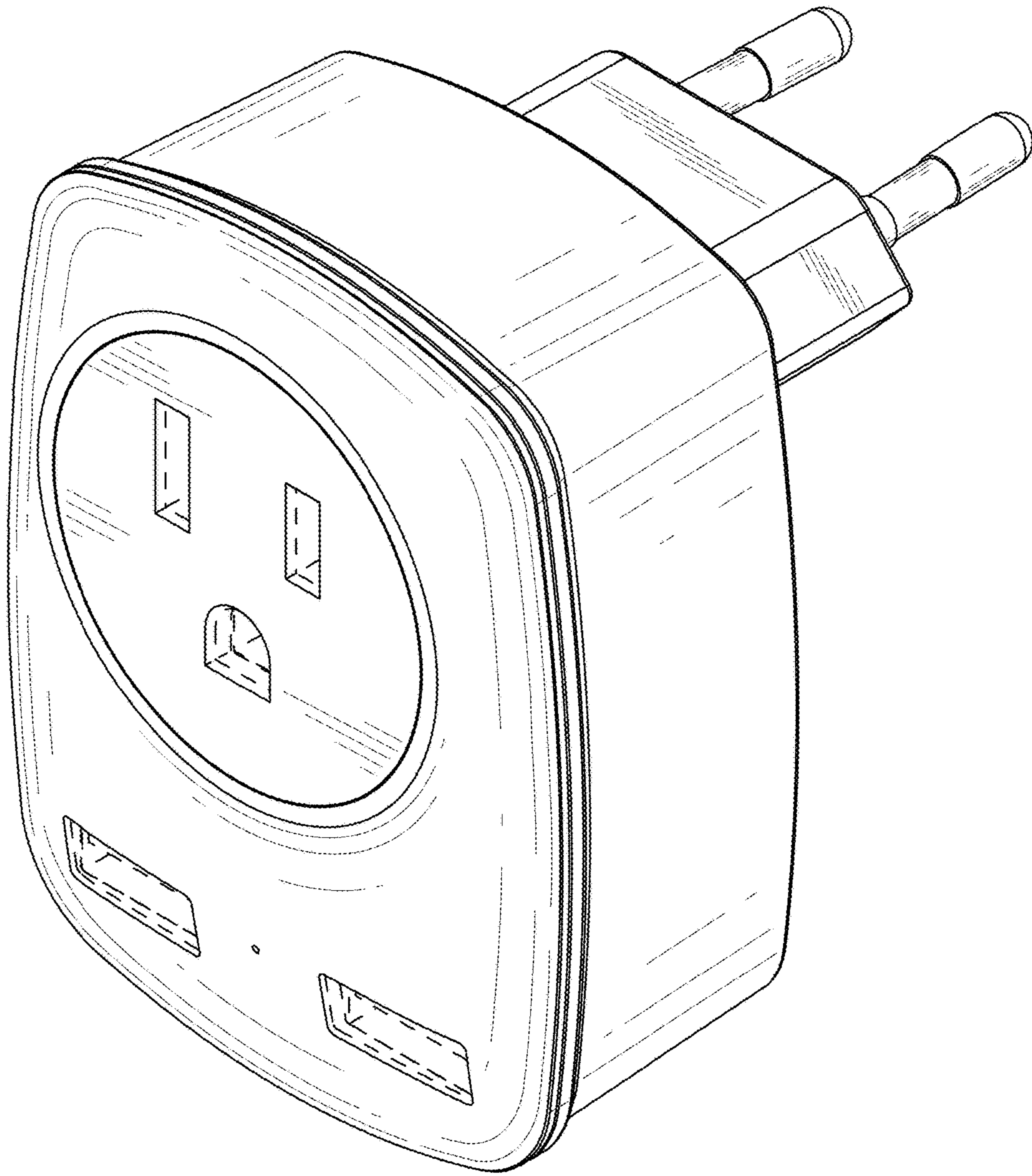


FIG. 1

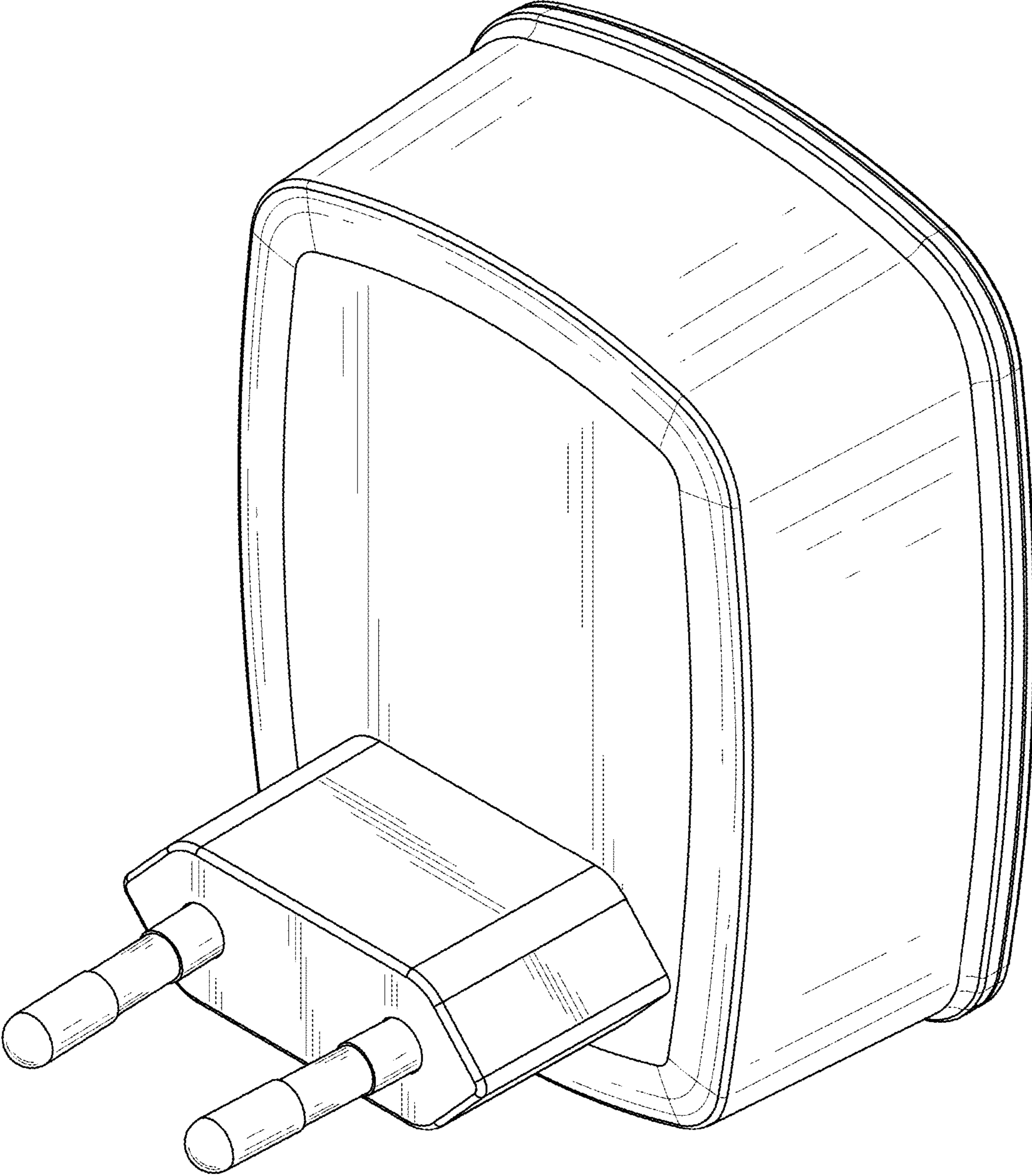


FIG. 2

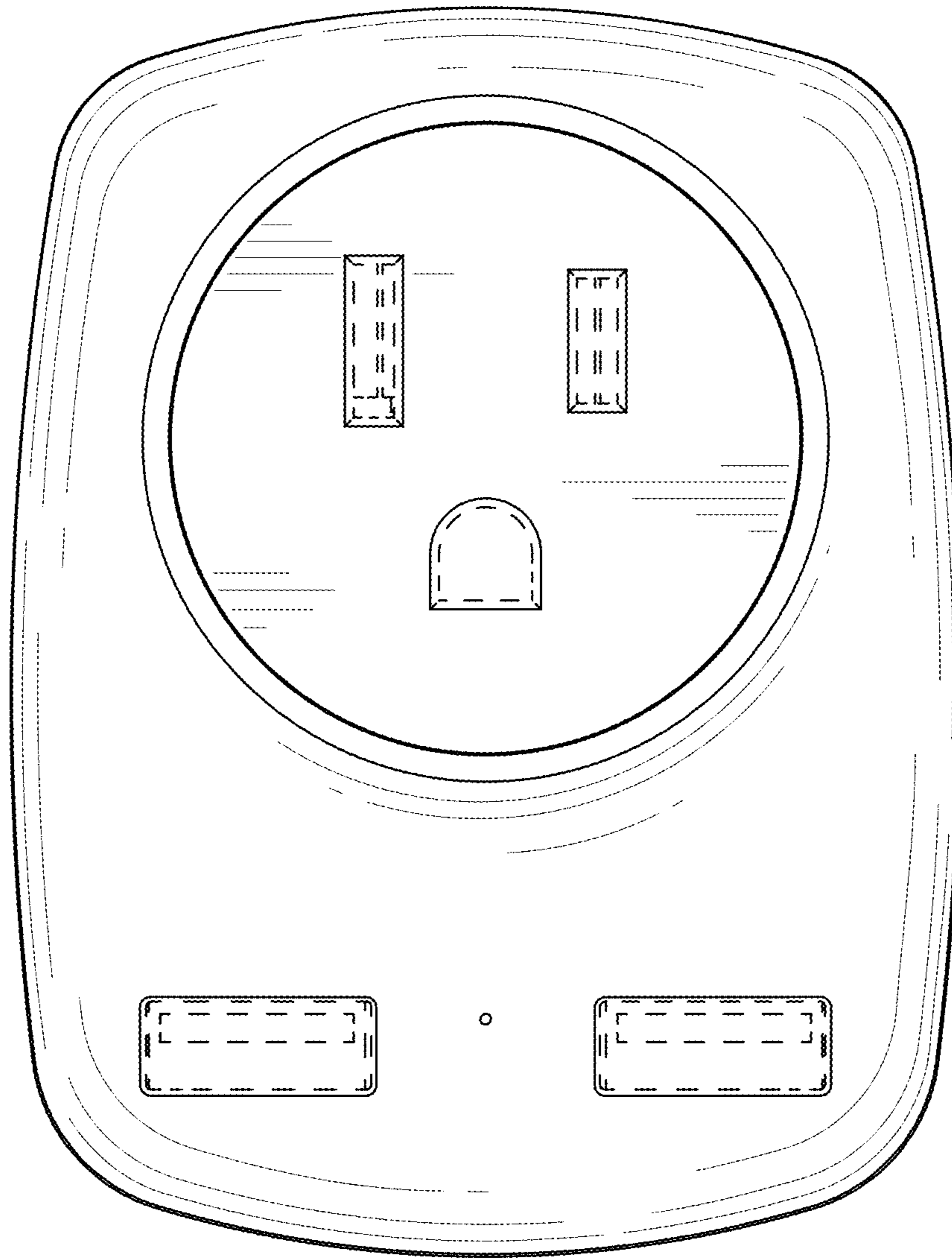


FIG. 3

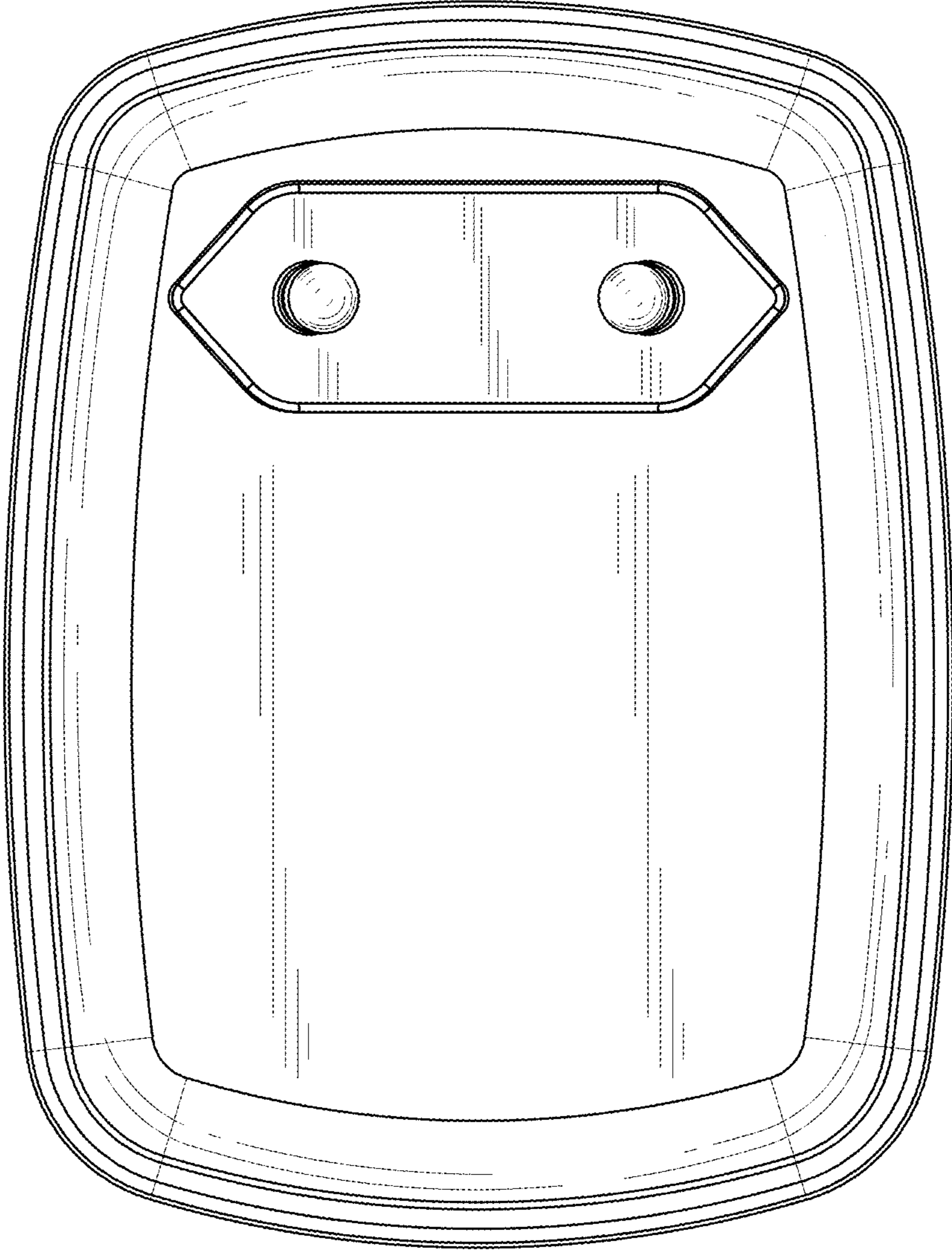


FIG. 4

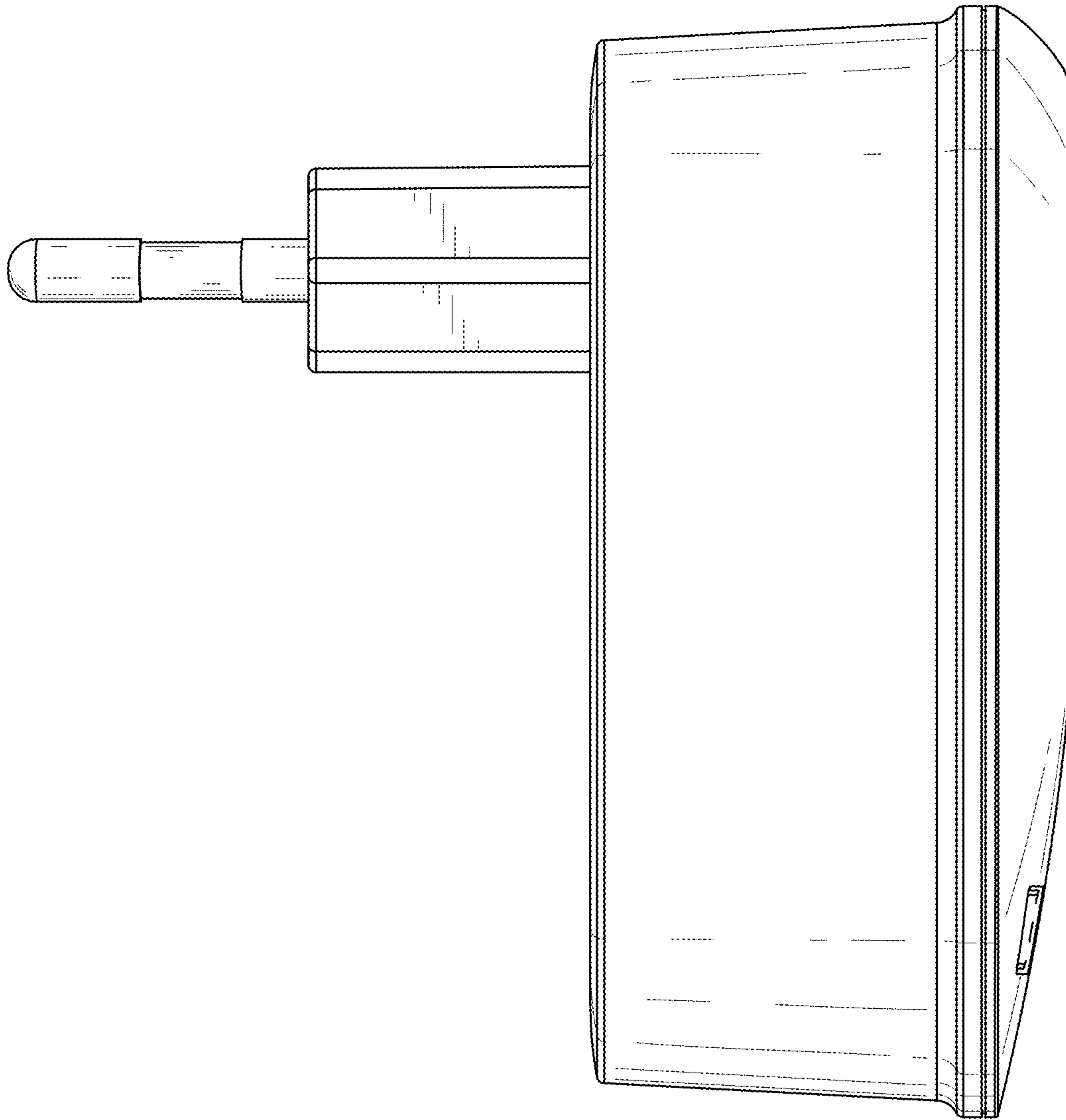


FIG. 5

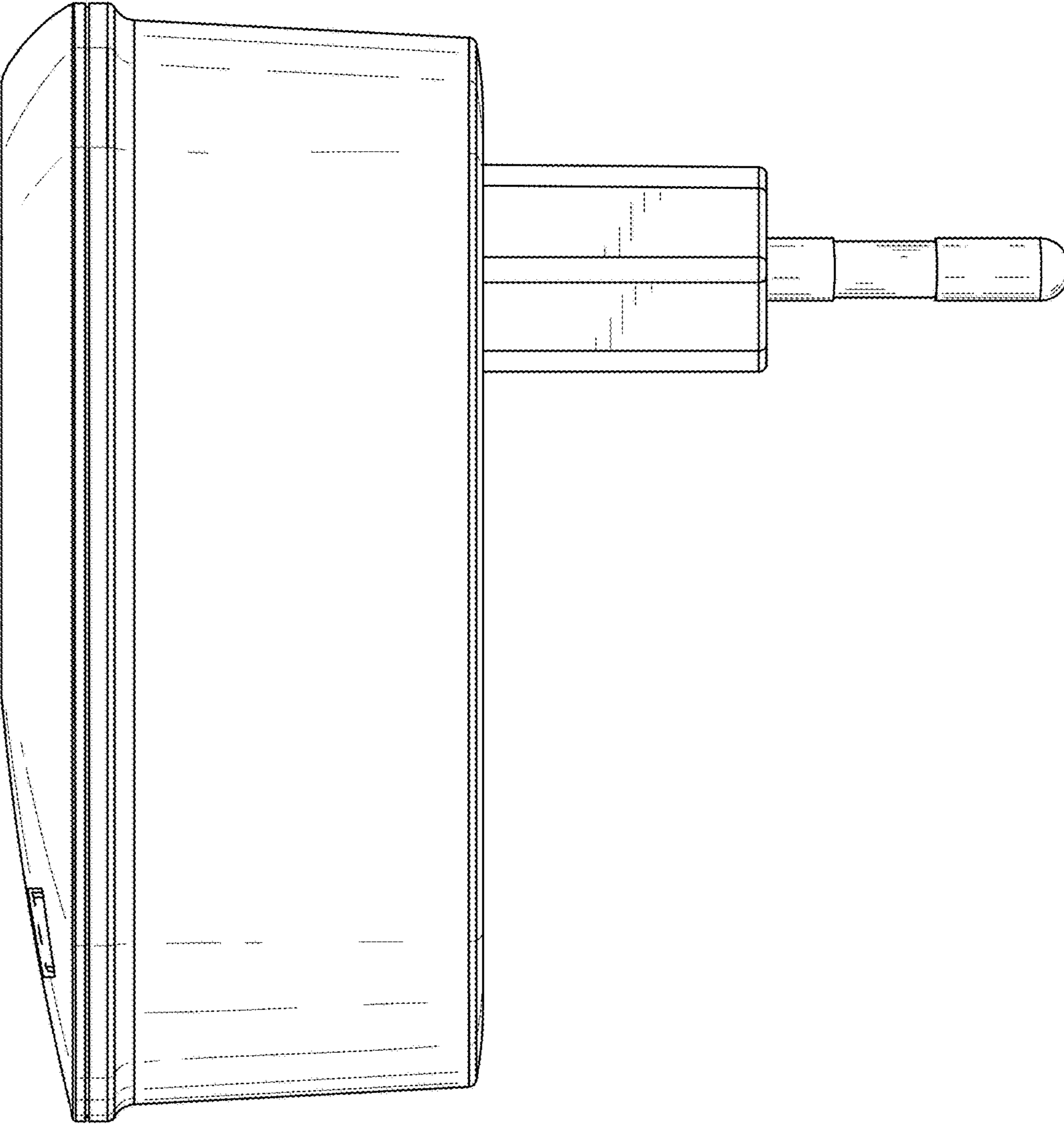


FIG. 6

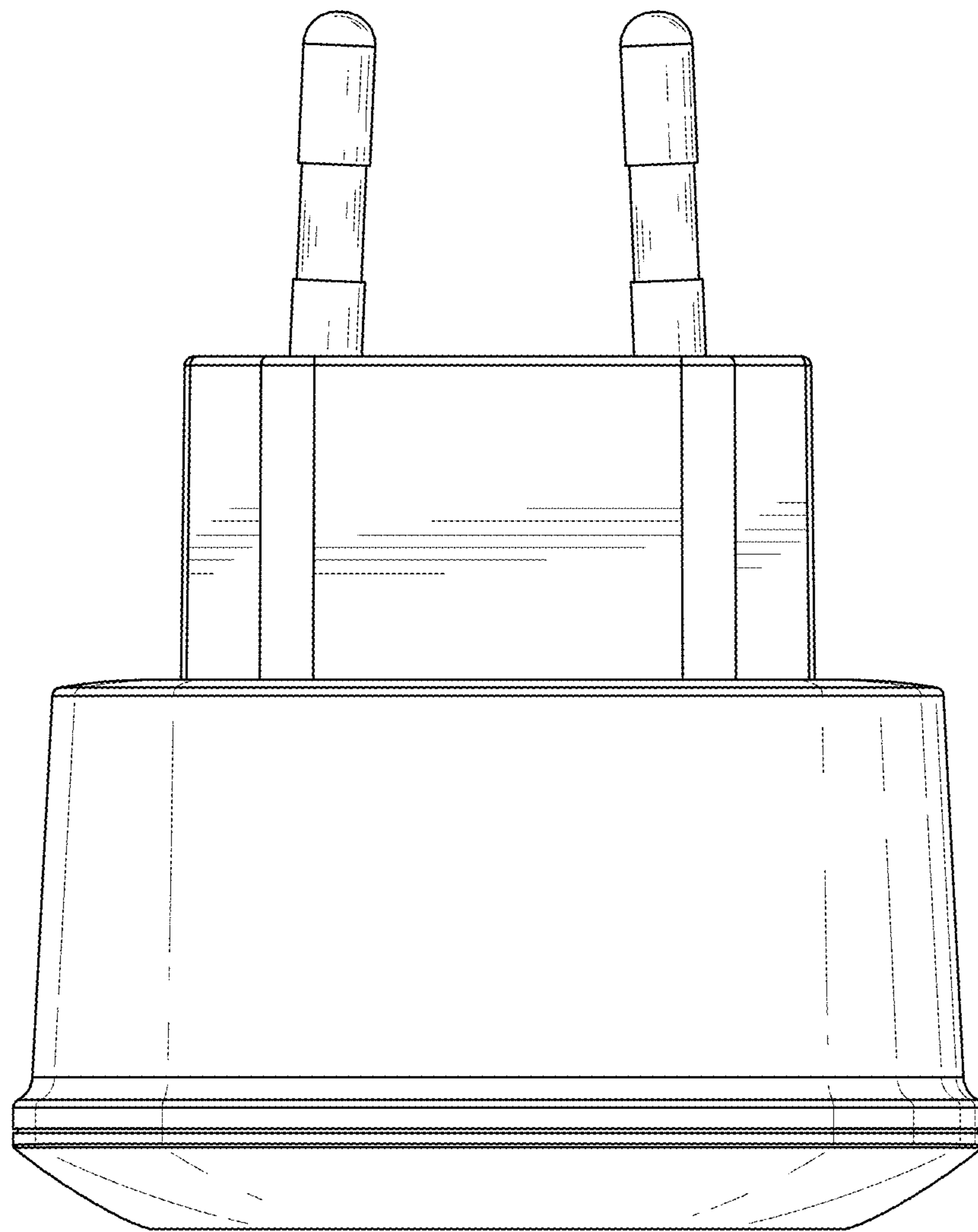


FIG. 7

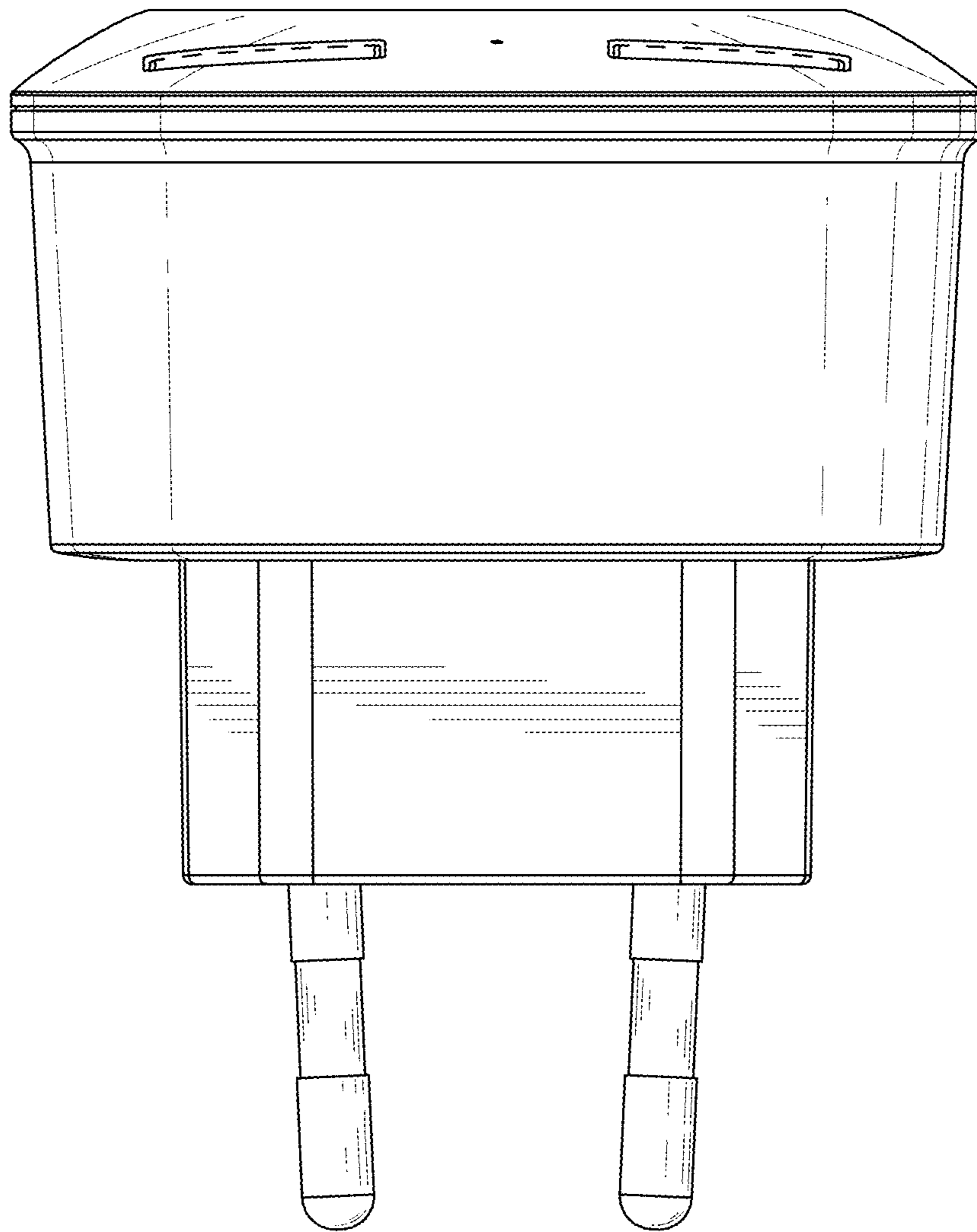


FIG. 8